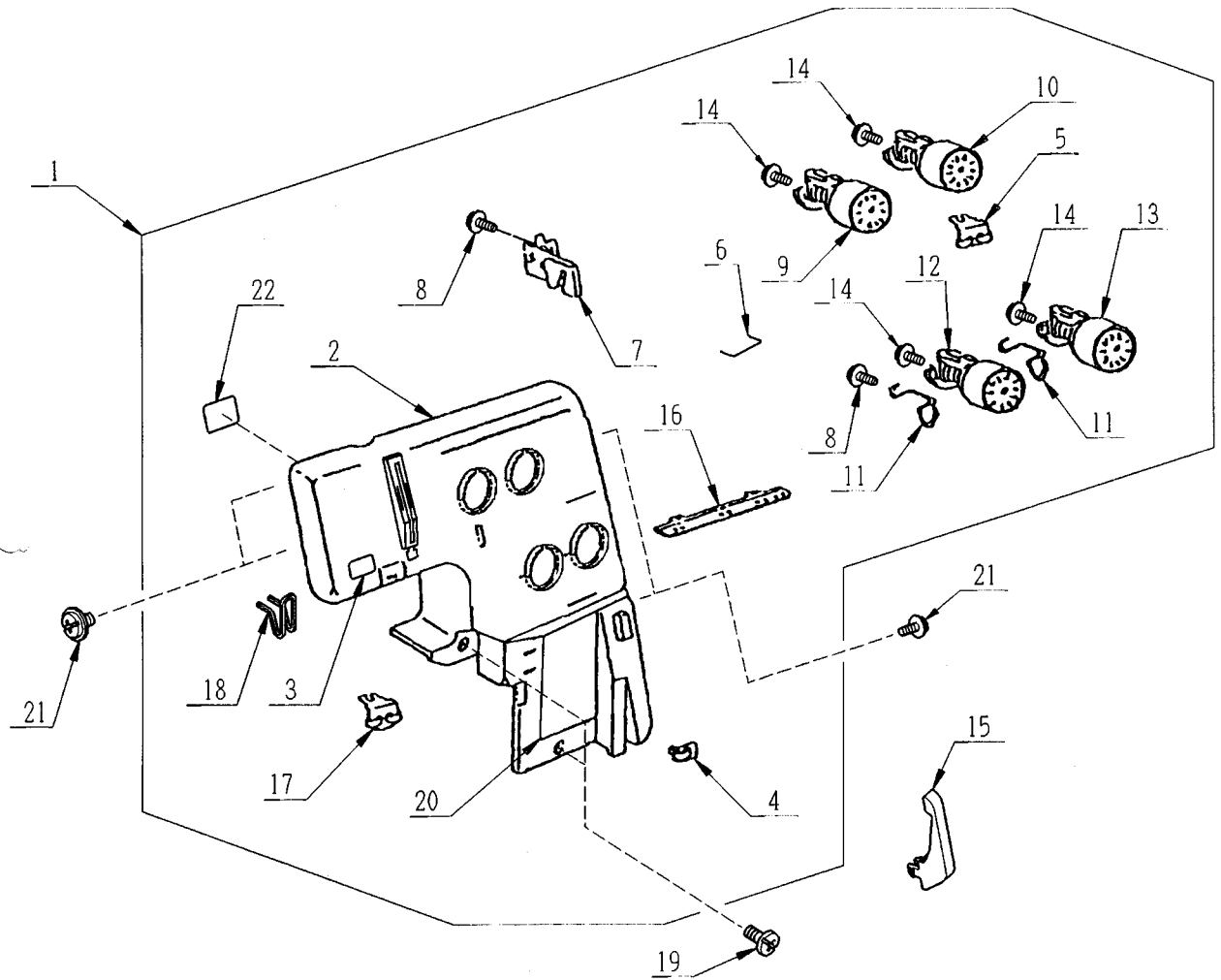


---

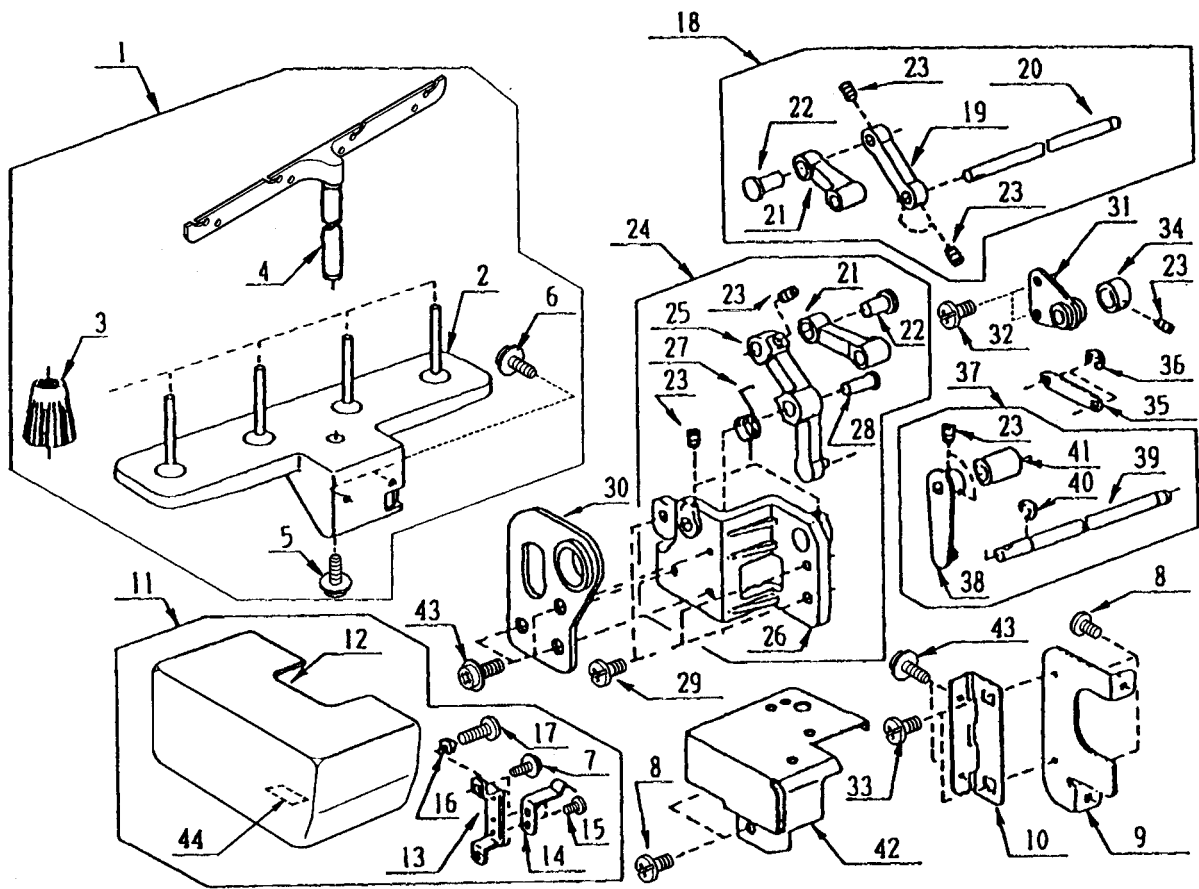
# PARTS LIST

MyLock 204D

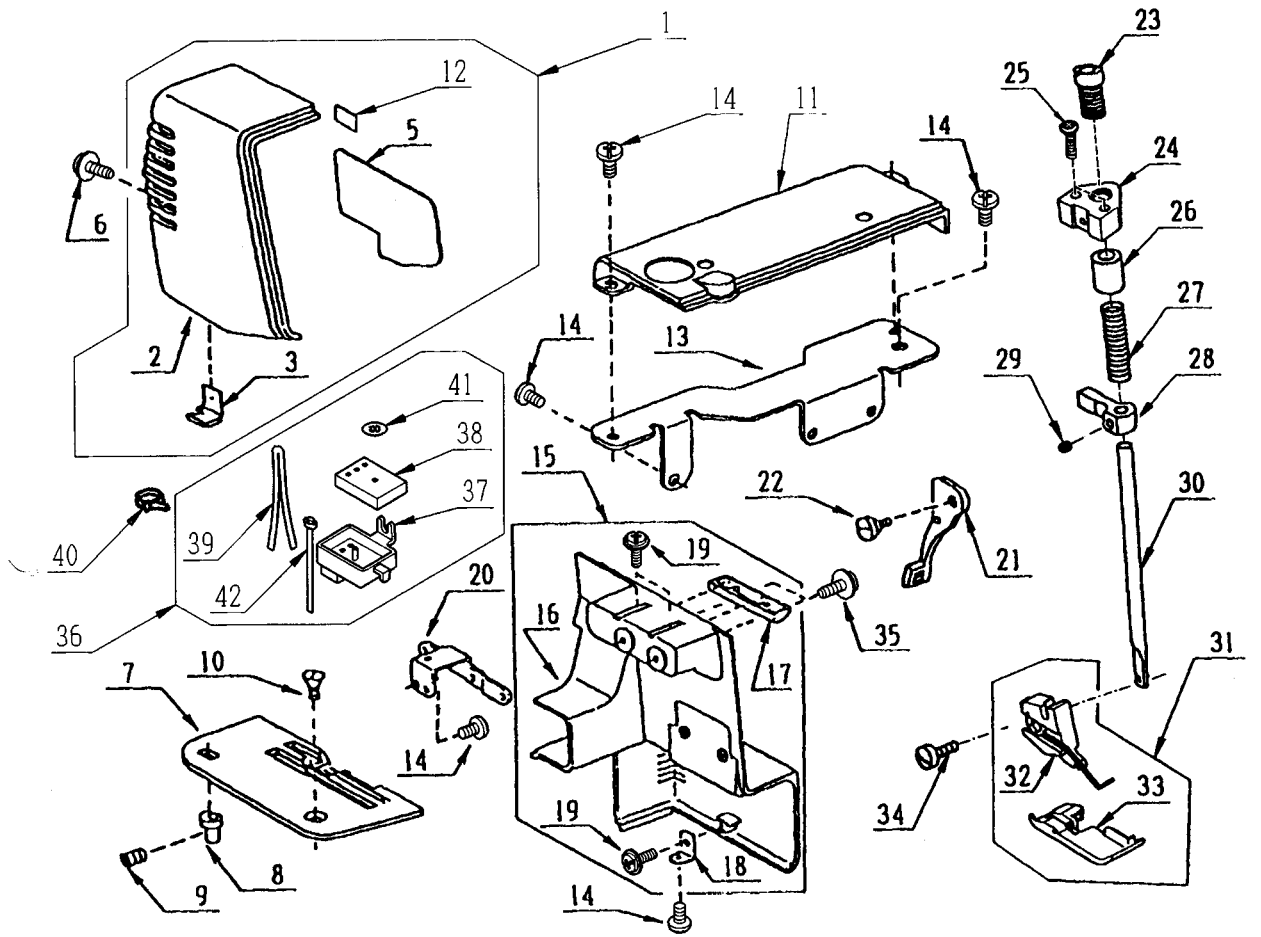
Specification code



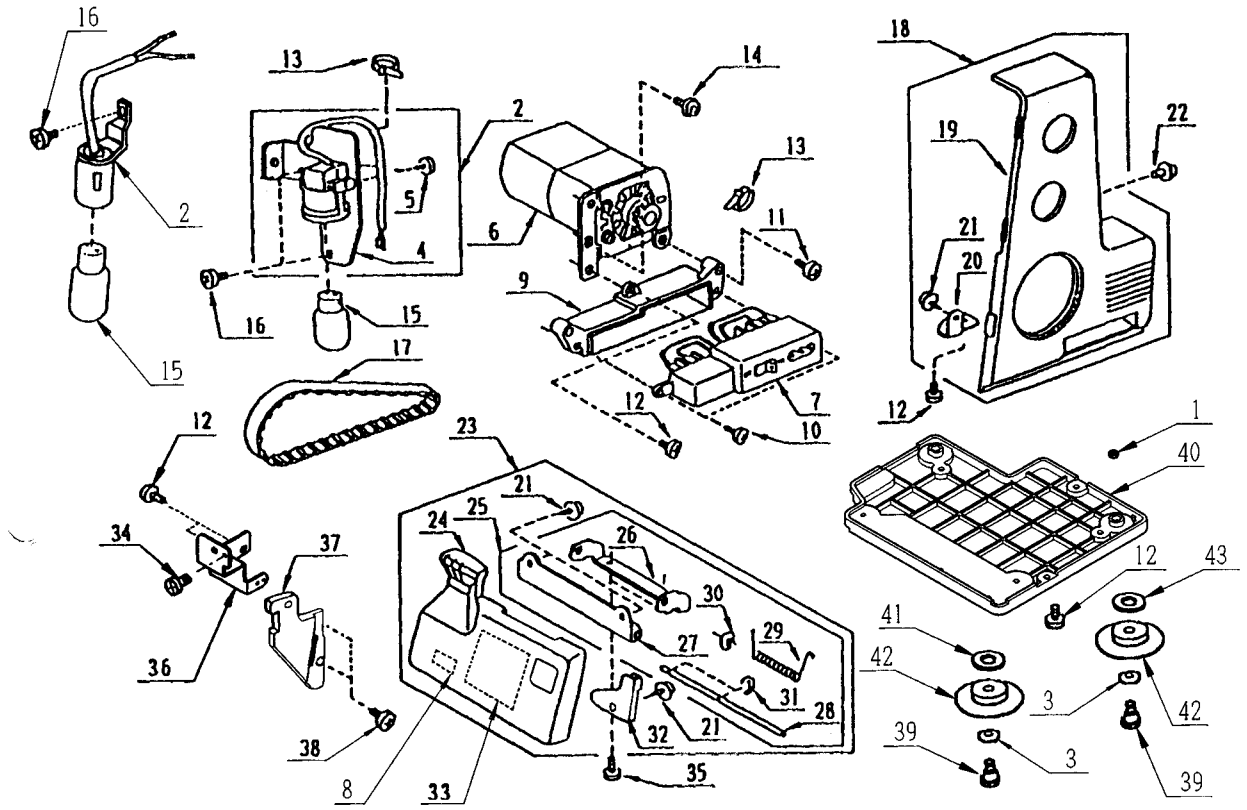
REF. NO.	PART NO.	NAME
1	789605007	Front cover unit
2	789021106	Front cover
3	888261007	Sticker for USA, Canada, Australia, New Zealand & Great Britain
	888262008	Sticker for Continental Europe
4	787131001	Looper thread guide
5	785232007	Looper thread guide
6	787361002	Looper thread base
7	785607007	Check spring
8	000149301	Set screw
9	785687207	Left needle tension unit
10	785688301	Right needle tension unit
11	785231006	Thread guide
12	785554606	Looper tension unit
13	785555607	Looper tension unit
14	000114709	Set screw
15	787394004	Take-up lever cover
16	787363004	Thread guide plate
17	785015002	Needle thread guide
18	787392002	Thread guide
19	000103417	Setscrew
20	789024006	Sticker
21	000115607	Set screw
22	724025006	Sticker



REF. NO.	PART NO.	NAME
1	789606008	Spool stand unit
2	777011003	Spool stand
3	784223105	Spool holder
4	789607009	Thread guide bar unit
5	000115700	Setscrew
6	000114802	Setscrew
7	000149301	Setscrew
8	000081005	Setscrew
9	787165004	Side cover hinge base
10	787507002	Side cover hinge unit
11	787628000	Side cover unit for Australia, Great Britain and Continental Europe
	787628103	Side cover unit for Canada
	787628206	Side cover unit for U.S.A.
12	787161000	Side cover
13	787162001	Side cover spring base
14	787163002	Side cover spring
15	000103808	Setscrew
16	000160009	Adjustablenut
17	000104902	Setscrew
18	787637002	Main feed connecting arm 2 unit
19	787197005	Main feed connecting arm2
20	787198006	Main feed connecting shaft
21	787067005	Feed link
22	787195003	Feed connecting pin
23	000111201	Hexagon socket screw
24	787656007	Feed adjusting base unit
25	787194002	Sub feed connecting arm
26	787074005	Feed adjusting base
27	787301004	Spring
28	787076007	Pin
29	000103509	Setscrew
30	787354002	Main shaft set plate (C)
31	787077008	Connecting arm support
32	810220003	Setscrew
33	000101404	Setscrew
34	650136009	Ring
35	787081005	Feed connecting arm link
36	000002105	Snap ring
37	787655109	Sub feed connecting arm B unit
38	787193001	Sub feed connecting arm 2
39	787270003	Sub feed connecting shaft B
40	000001609	Snap ring
41	625144002	Feed shaft front bushing
42	789020002	Feed bar cover
43	000115618	Setscrew
44	100045000	Caution sticker for Canada
	830312016	Caution sticker for U.S.A.

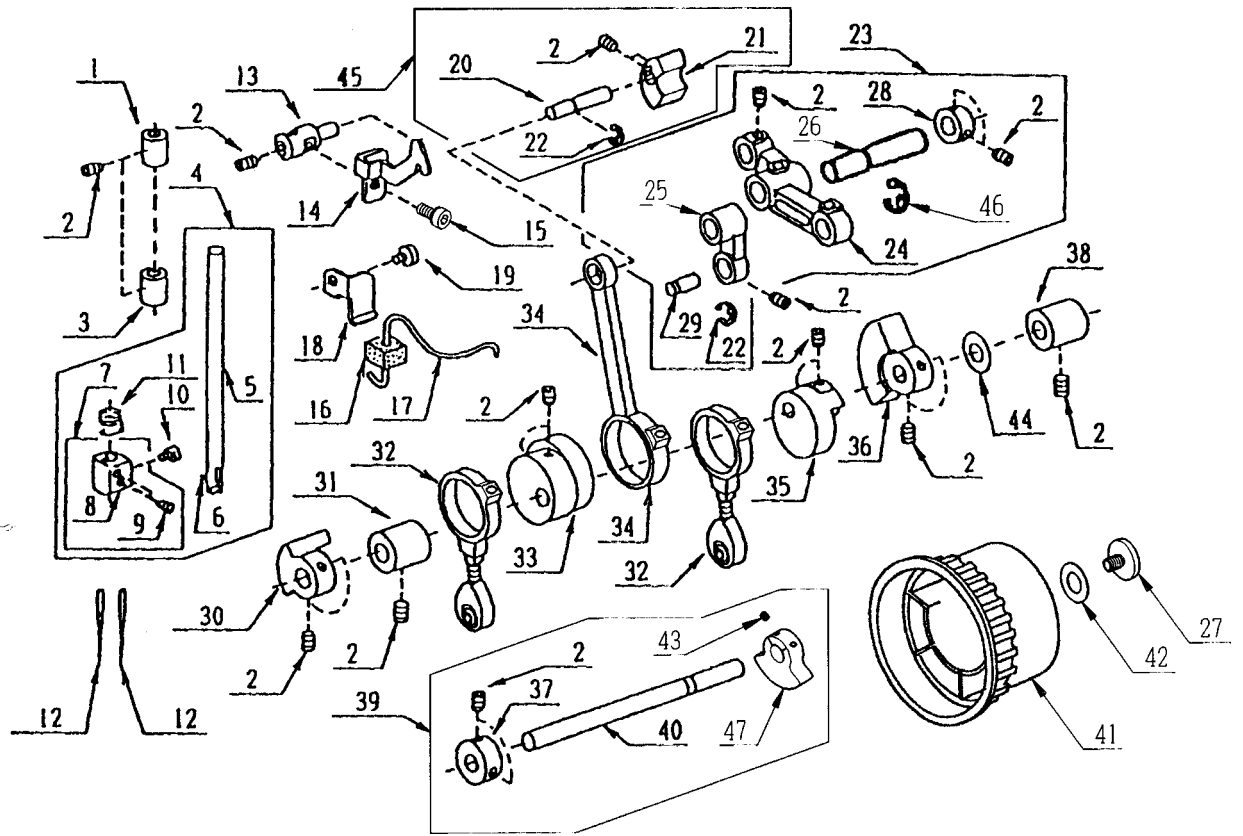


REF. NO.	PART NO.	NAME
1	787671101	Face plate unit
	787671008	Face plate unit for Canada, Great Britain and Continental Europe
2	787352000	Face plate
3	840602006	Thread cutter unit
4	787382009	Sticker
5	787353001	Sticker
6	000115700	Setscrew
7	788601000	Needle plate unit
8	784004005	Eccentric pin
9	000111902	Hexagon socket screw
10	681009101	Setscrew
11	787371201	Top cover
12	100411104	Sticker
13	787370004	Handle set plate
14	000081005	Setscrew
15	787648109	Rear cover unit
16	787293208	Rear cover
17	787173005	Finger base plate
18	787174006	Rear cover set plate
19	000149301	Setscrew
20	787294106	Rear cover set plate
21	650032015	Presser lifter
22	810431009	Hinge screw
23	777013005	Presser adjusting screw
24	788005008	Presser adjusting screw bracket
25	000104706	Setscrew
26	777002001	Bushing
27	787020006	Presser bar spring
28	724118007	Presser bar bracket
29	000111304	Hexagon socket screw
30	787019002	Presser bar
31	788501009	Presser foot unit
32	787541008	Foot holder unit
33	788502000	Presser foot (lower) unit
34	763048006	Setscrew
35	000115618	Setscrew
36	789602004	Oil case unit
37	789005001	Oil case
38	789006002	Felt
39	763033307	Strings
40	000053008	Binder
41	000014306	Snap ring
42	763033204	Strings

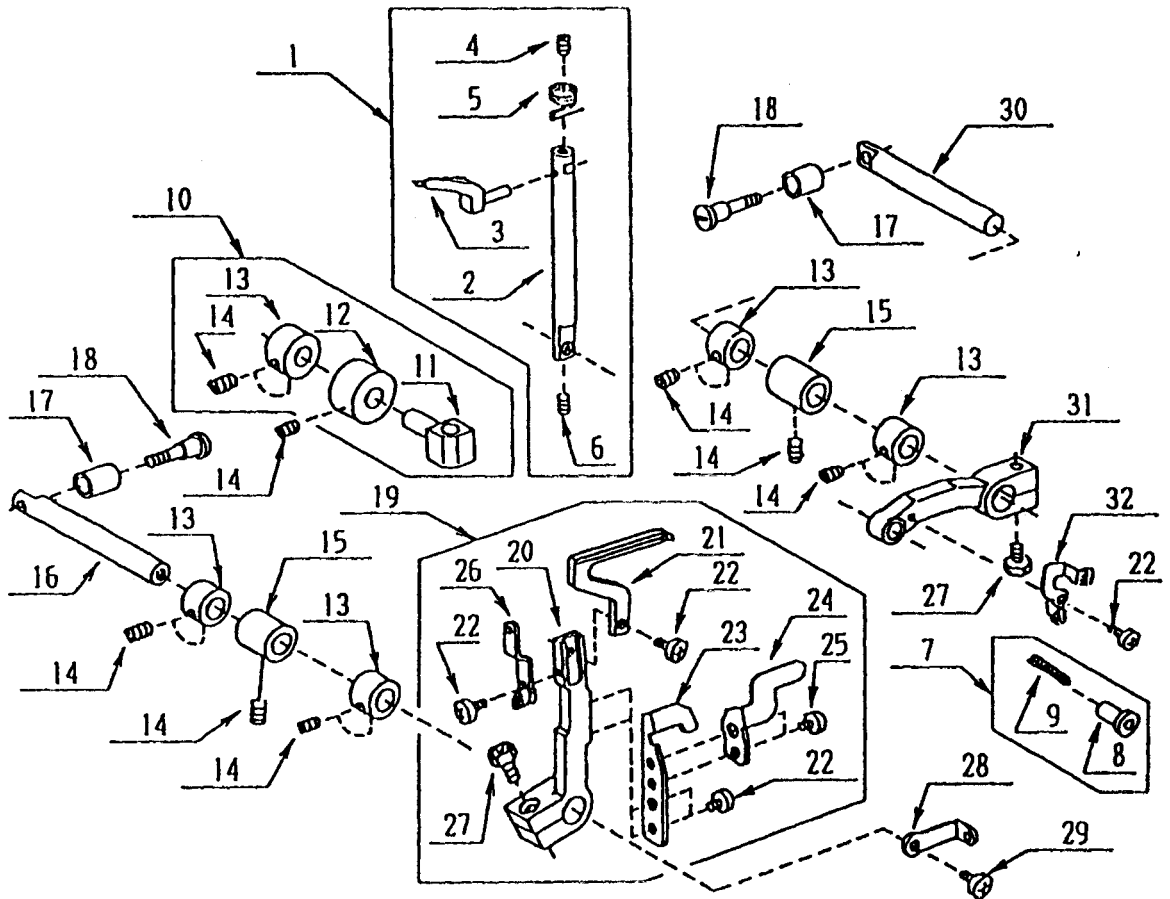




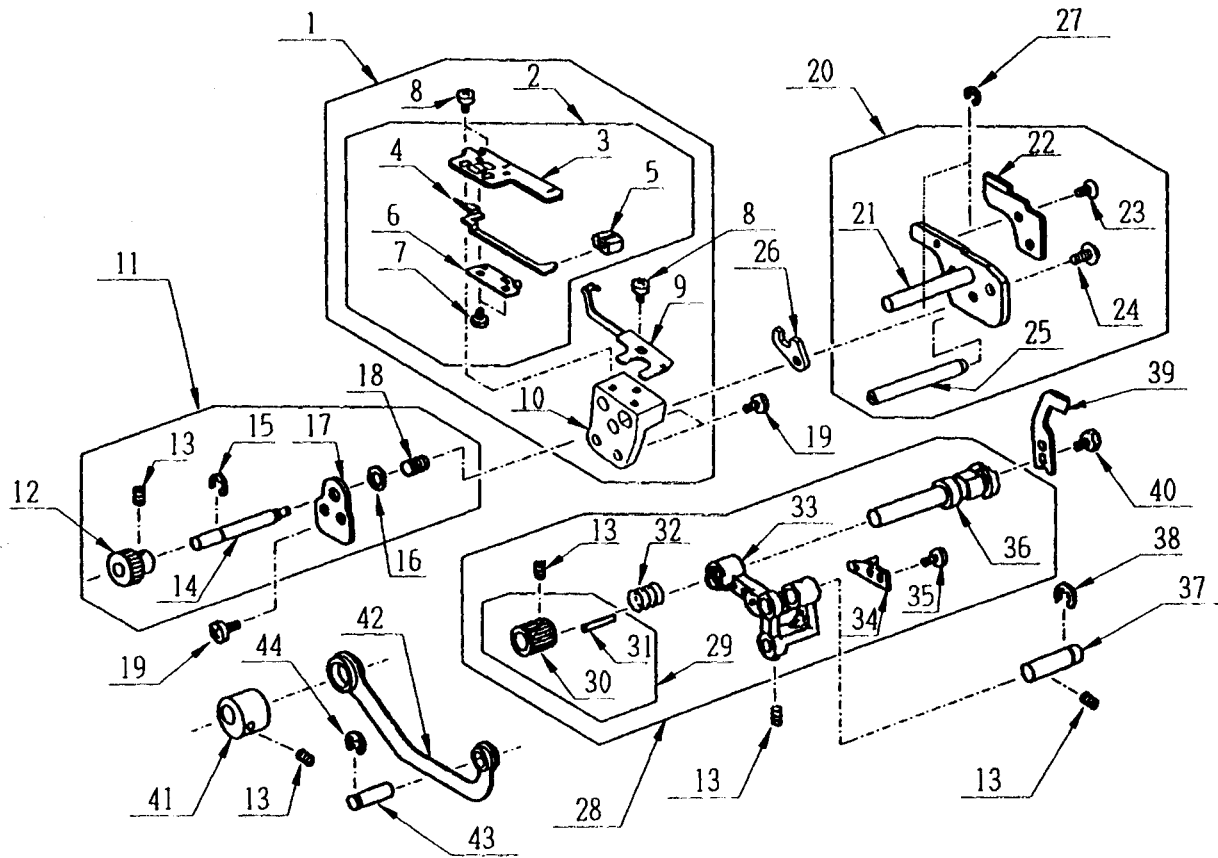
REF. NO.	PART NO.	NAME
1	000061205	Nut
2	787631006	Lamp socket unit Australia, Great Britain and Continental Europe
	787633008	Lamp socket unit for Canada
	787510008	Lamp socket unit for U.S.A.
3	000070300	Washer
4	787026002	Lamp socket set plate
5	000120203	Set screw
6	M-1049A	Motor unit for U.S.A.
	M-1031A	Motor unit for Canada
	M-2093A	Motor unit for Australia and Great Britain
	M-2042A	Motor unit for Continental Europe
7	777502006	Machine socket for 220-240V area
	777504008	Machine socket for 110-120V area
8	100045000	Caution sticker for Canada
	830312016	Caution sticker for U.S.A.
9	784128028	Machine socket cover
10	000121905	Set screw
11	000104108	Setscrew
12	000081005	Setscrew
13	000053008	Binder
14	000115504	Setscrew
15	000009009	Lamp, 240V , 1 5W,BA1 5D for 220-240V area
	000009803	Lamp, 1 20V, 15W for 110-120V area
16	000101404	Setscrew
17	784124002	Timingbelt
18	787678005	Belt cover unit
19	787379302	Belt cover
20	787158004	Belt cover set plate
21	000149301	Set screw
22	000115618	Setscrew
23	787696308	Looper cover unit
24	787150338	Looper cover
25	787626008	Looper cover hinge unit
26	787151007	Looper cover supporter
27	787152008	Looper cover hinge
28	784121010	Looper cover shaft
29	784122000	Looper cover spring
30	000071013	Washer
31	000002105	Snap ring
32	787181006	Looper cover stopper
33	789028000	sticker
34	000081016	Setscrew
35	000115205	Setscrew
36	788085002	L. cover guide supporter
37	788086106	Looper cover guide
38	000078320	Set screw
39	784169009	Hinge screw
40	789025007	Base plate
41	785260004	Washer
42	784135006	Rubber cushion
43	787204006	Washer (2)



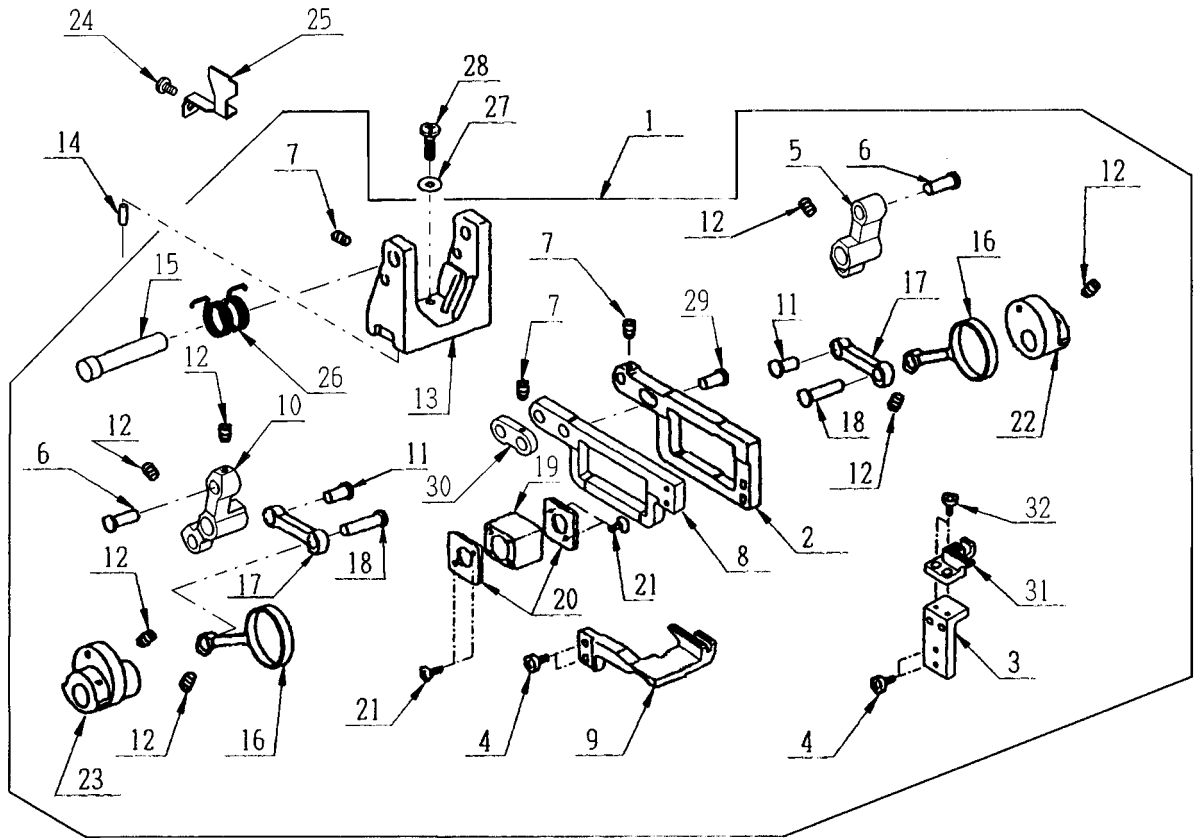
REF. NO.	PART NO.	NAME
1	784027004	Needle bar upper bushing
2	000111201	Hexagon socket screw
3	784028005	Needle bar lower bushing
4	787606002	Needle bar unit
5	787015008	Needle bar
6	000022307	Spring pin
7	785557001	Needle clamp screw unit
8	785004020	Needle clamp
9	785008024	Needle clamp screw
10	785026017	Needle clamp setscrew
11	785009003	Needle bar thread guide
12	784157015	Needle
13	784024001	Needle bar bracket
14	787348003	Take-up lever
15	000084503	Hexagon socket screw
16	787027003	Felt
17	763033204	Strings
18	787029005	Felt set plate
19	000101404	Setscrew
20	787346001	Needle bar balancer pin
21	787347002	Needle bar balancer
22	000001609	Snap ring
23	789603005	Needle bar crank unit
24	787021007	Needle bar crank
25	789007003	Needle bar link
26	789008004	Needle bar crank shaft
27	618070004	Screw
28	624245001	Ring
29	784022009	Link pin
30	787177009	Left balance weight
31	789002008	Bushing
32	784602102	Looper cam ring unit
33	787007100	Needle bar cam
34	789004000	Needle bar crank rod
35	787004107	Upper looper cam
36	888012001	Balance weight
37	619006002	Upper shaft ring
38	789003009	Bushing
39	789601003	Main shaft unit
40	789001007	Main shaft
41	784019302	Hand wheel
42	556047007	Washer
43	000111304	Hexagon socket screw
44	000038605	Washer
45	787686006	Needle bar balancer unit
46	000002909	Snap ring
47	784167007	Balance weight



REF. NO.	PART NO.	NAME
1	787618007	Upper looper shaft unit
2	787111005	Upper looper shaft
3	784076019	Upper looper
4	000112501	Hexagon socket screw
5	784077009	Upper looper thread guide
6	000177205	Hexagon socket screw
7	787632007	Upper looper pin unit
8	787115009	Upper looper pin
9	787192000	Strings
10	787619008	U. looper shaft guide unit
11	787112006	Looper shaft guide
12	787113007	Bushing
13	820166001	Ring
14	000111201	Hexagon socket screw
15	787104005	Bushing
16	787116000	Looper crank shaft
17	787107008	Crank spacer
18	787108009	Crank set screw
19	785610036	Lower looper unit
20	785024004	Lower looper base (2)
21	784083606	Lower looper
22	000078320	Setscrew
23	787383000	Rear needle guard
24	785023003	Front needle guard
25	000099006	Hexagon socket screw
26	784085206	L. looper thread guide (3)
27	000138008	Hexagon socket screw
28	785010203	L. looper thread guide
29	000103004	Setscrew
30	787105006	Looper crank shaft
31	787109000	Looper waving arm
32	788038000	Looper thread guide (L2)

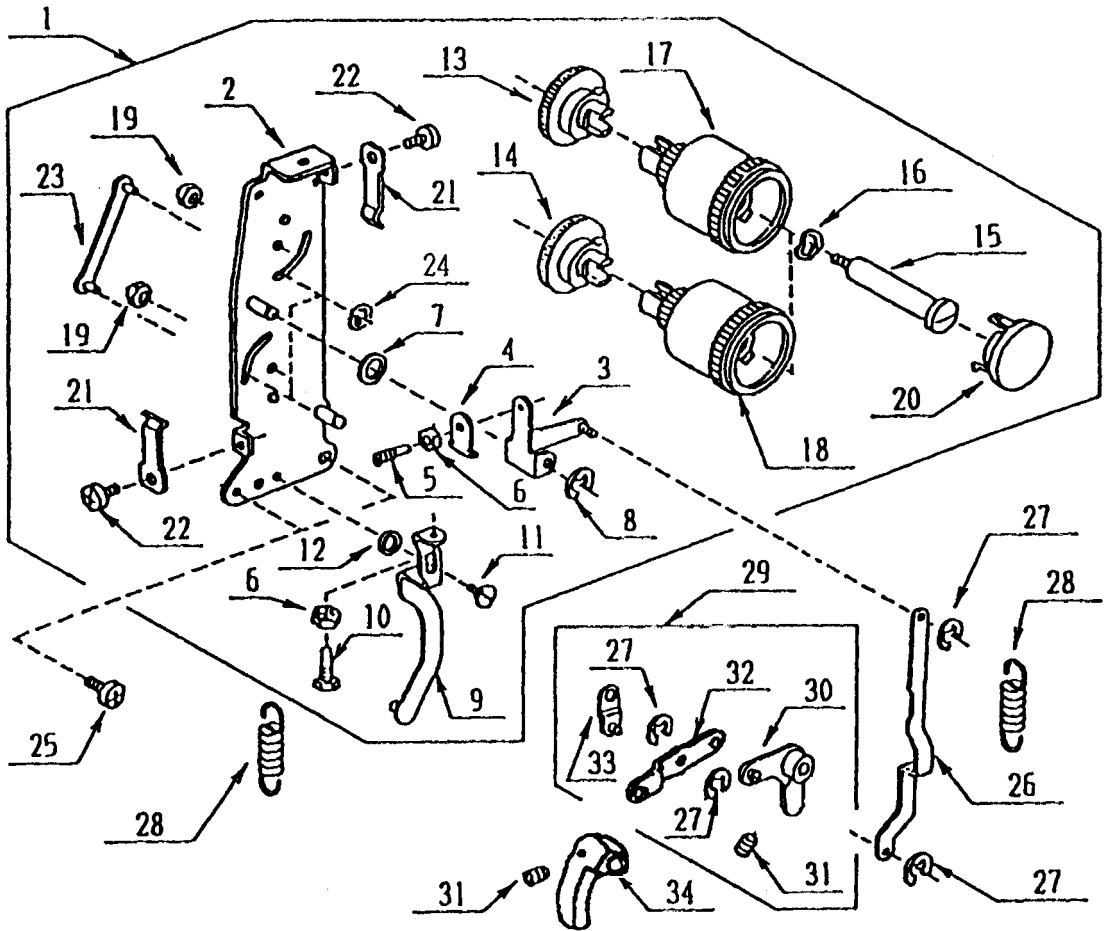


REF. NO.	PART NO.	NAME
1	788604003	Chaining finger bracket unit
2	788605004	Chaining finger unit
3	788016002	Chaining finger set plate
4	788017003	Chaining finger
5	787041003	Needle plate setting knob
6	788018004	Chaining finger spring
7	820373003	Setscrew
8	000078320	Setscrew
9	788019005	Fixed needle guard
10	788015001	Chaining finger bracket
11	788619104	Adjusting bar unit
12	787050005	Lower knife release knob
13	000111201	Hexagon socket screw
14	788128008	Lower knife adjusting bar
15	000002507	Snap ring
16	000070300	Washer
17	787046008	Guide Plate
18	787048000	Spring
19	000081005	Setscrew
20	788603002	Lower knife unit
21	788012008	Lower knife set plate
22	788013009	Lower knife
23	000102221	Setscrew
24	000114710	Setscrew
25	788014000	Lower knife shaft
26	788021000	Nut
27	000001207	Snap ring
28	787635000	Upper knife drive arm unit
29	784607---	Upper knife knob unit
30	784044007	Upper knife knob
31	000003601	Spring pin
32	784043006	Spring
33	787033002	Upper knife drive arm
34	784041004	Upper knife guide
35	810220003	Setscrew
36	784042005	Upper knife supporter
37	787022008	Pin
38	000002909	Snap ring
39	788127007	Upper knife
40	624303008	Hexagon bolt
41	788008001	Upper knife drive cam
42	789009005	Upper knife connecting rod
43	787012005	Pin
44	000001609	Snap ring

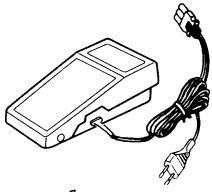




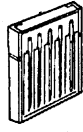
REF. NO.	PART NO.	NAME
1	789604006	Feed bar unit
2	788022001	Main feed bar
3	789017006	Main feed dog
4	000104201	Setscrew
5	787054009	Main feed bar drive arm
6	789013002	Pin
7	000111902	Hexagon socket screw
8	789011000	Sub feed bar
9	789018007	Sub feed dog
10	789010009	Sub feed drive arm
11	787059004	Pin
12	000111201	Hexagon socket screw
13	787305101	Feed bar bracket
14	000122803	Pin
15	787306009	Feed bar pin
16	787065003	Feed bar link
17	787066004	Feed rocking link
18	787068006	Pin
19	789016005	Block
20	787071002	Setplate
21	787189004	Setscrew
22	787072003	Main feed drive cam
23	787073004	Sub feed drive cam
24	000101404	Setscrew
25	789019008	Setplate
26	789015004	Drive arm spring
27	000070506	Washer
28	000101817	Setscrew
29	888100007	Pin
30	789012001	Sub feed link
31	788027006	Main feed dog
32	000066705	Setscrew
33	000068811	Setscrew



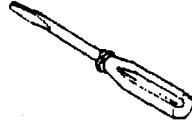
REF. NO.	PART NO.	NAME
1	788621202	Feed adjusting unit
2	788101005	Setplate
3	787089003	Feed adjusting arm
4	785156006	Setplate
5	652056000	Adjusting screw
6	000160102	Nut
7	000036500	Washer
8	000001609	Snap ring
9	787264004	Differential rod
10	785224006	Adjusting screw
11	785286006	Hinge screw
12	785222004	Setplate
13	787091008	Stitch length adjusting cam
14	788036008	Differential feed adjusting cam
15	785218007	Dial shaft
16	000116206	Spring washer
17	787261702	Stitch length dial
18	787261126	Differential feed dial
19	000061205	Nut
20	787262301	Dial cap
21	787263003	Spring
22	000081119	Setscrew
23	788037009	Link
24	000014306	Snap ring
25	000081005	Setscrew
26	787102003	Feed rod
27	000002105	Snap ring
28	787259006	Spring
29	788607006	Main feed connecting arm unit
30	788029008	Main feed connecting arm
31	000111201	Hexagon socket screw
32	788030002	Feed connecting plate
33	788031003	Differential feed transfer arm
34	788320004	Sub feed connecting arm



1



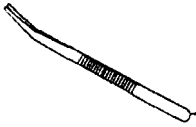
2



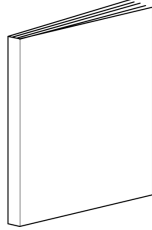
3



4



5



6

REF. NO.	PART NO.	NAME
1	C-1028	Foot control for USA and Canada
	C-2030	Foot control for Australia
	C-2048	Foot control for Great Britain
	C-2038-1	Foot control for Continental Europe
2	784860100	Needle set
3	784810002	Screwdriver (large)
4	647803004	Screwdriver (small)
5	624801001	Tweezers
6	789800004	Instruction book (English)
	789800026	Instruction book (German)
	789800015	Instruction book (Russian)
	789800037	Instruction book (English, Spanish & French)