

# **PARTS LIST**

# **MODEL 304**

JANOME SEWING MACHINE CO., LTD.





\*\*\*\*\*  
TWO NEEDLE / FOUR THREAD OVERLOCK  
STANDARD FEED

KEY NO.	PART NO.	DESCRIPTION
1	785676100	CONTROL PANEL UNIT
2	785227009	CONTROL PANEL
3	785288008	FRONT PANEL
4	785229001	THREAD GUIDE PLATE
5	785230005	THREAD GUIDE
6	785231006	THREAD GUIDE
7	000149301	SCREW 3X8 (B)
8	000066727	SCREW 3X8
9	785232007	THREAD GUIDE
10	785607007	CHECK SPRING UNIT
11	000081005	SCREW 4X8
12	785233008	THREAD GUIDE
13	785552006	TENSION DIAL UNIT
14	785243001	RING PLATE
15	000068006	SCREW 3X8
16	785553007	TENSION DIAL UNIT
17	785554008	TENSION DIAL UNIT
18	785555009	TENSION DIAL UNIT
19	785247005	THREAD GUIDE
20	630005006	NUT
21	784106008	THREAD GUIDE
22	785248006	THREADING CHART
23	785249007	REFLECTING PLATE
24	785250001	SET PLATE
25	784110005	SET PLATE
26	000115607	SCREW 4X8
27	000101404	SCREW 4X6
28	000071035	WASHER
29	000077617	SCREW 4X10
30	784625019	OIL WICK SUPPORTER UNIT
31	784111017	OIL PAD SUPPORTER
32	784113008	OIL PAD
33	763033020	OIL WICK
34	784114010	TOP COVER





\*\*\*\*\*  
TWO NEEDLE / FOUR THREAD OVERLOCK  
STANDARD FEED

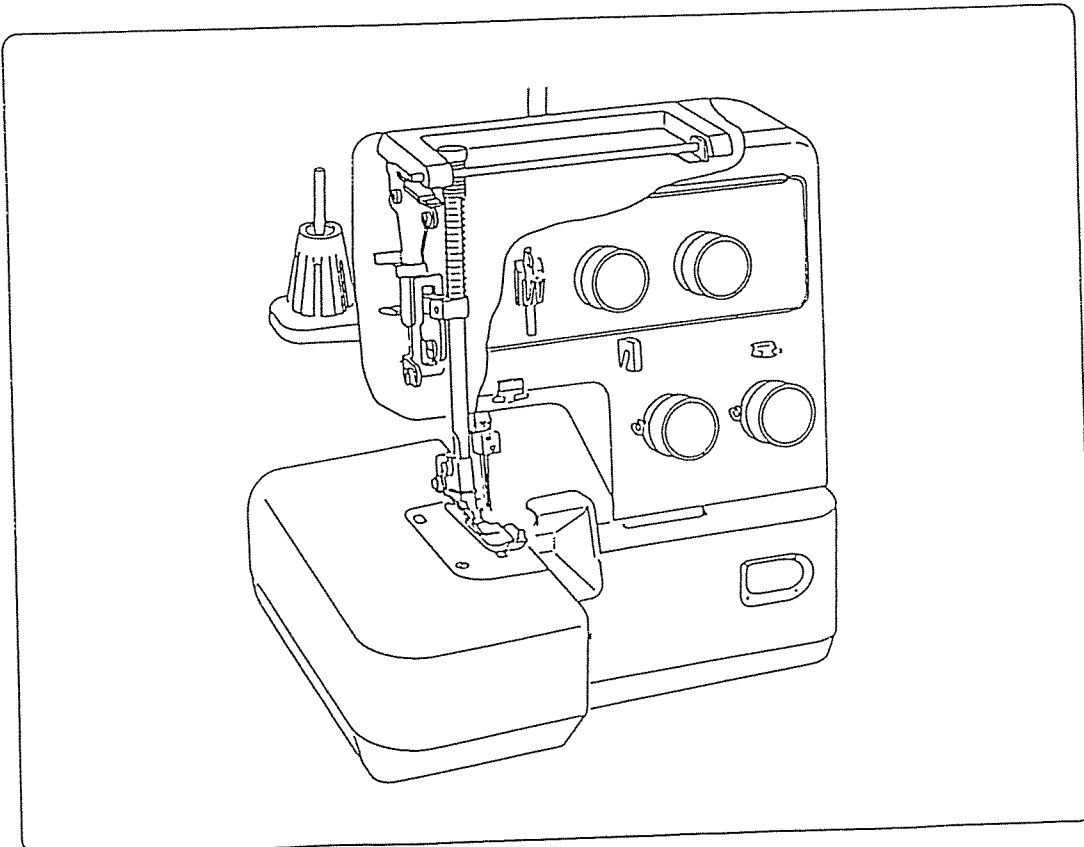
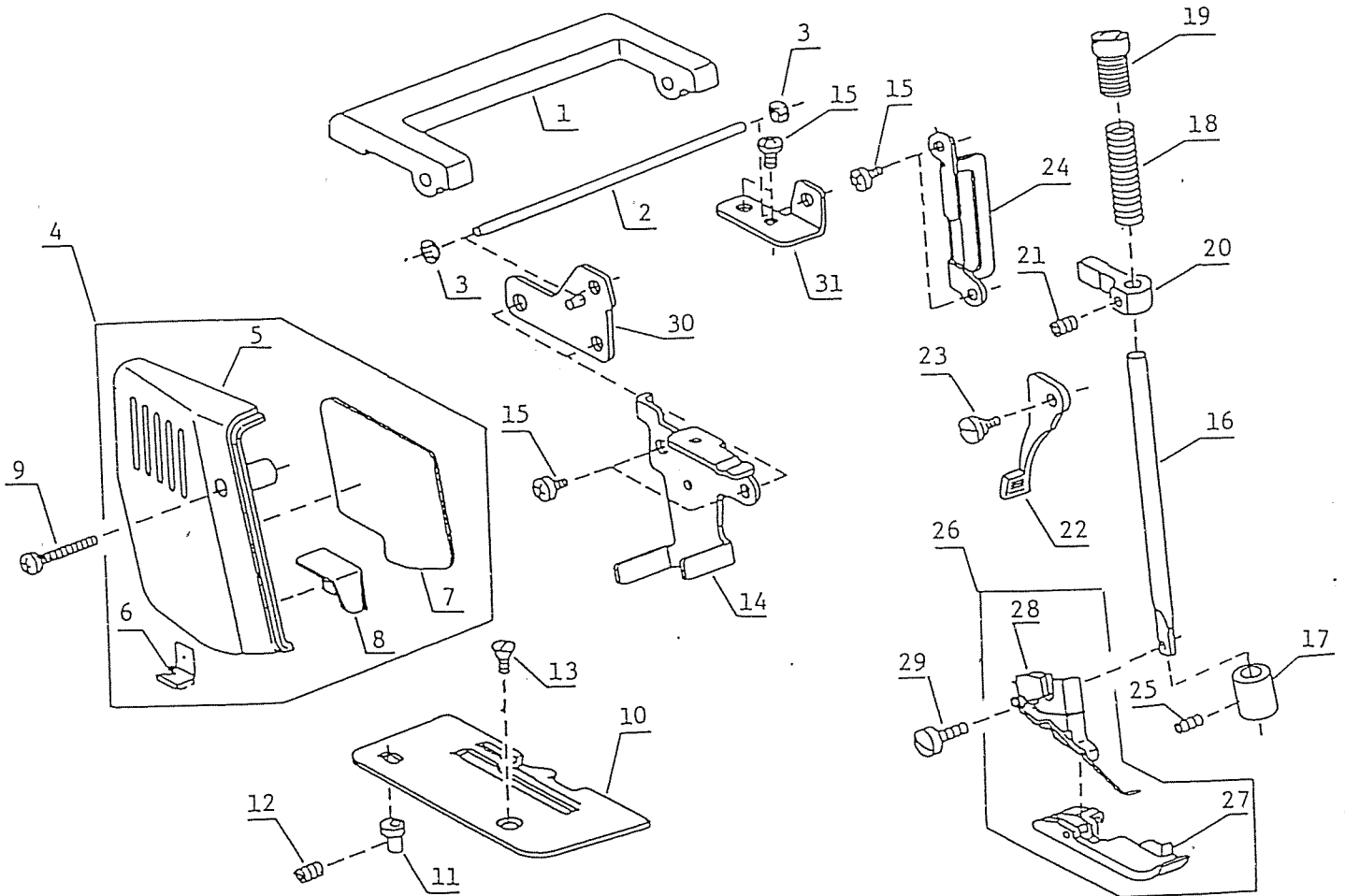
PAGE 2

KEY NO.	PART NO.	DESCRIPTION
1	785681005	SPOOL STAND UNIT
2	785268002	SPOOL STAND
3	785269003	SPOOL STAND PLATE
4	000149301	SCREW 3X8 (B)
5	784222012	SPOOL PIN
6	000061102	NUT
7	784223002	SPOOL HOLDER
8	785692009	THREAD GUIDE BAR
10	000093309	SCREW
11	000081005	SCREW 4X8
12	785680200	SIDE COVER UNIT
13	785264008	SIDE COVER
14	785265009	SET PLATE
15	000107802	SCREW 3X10 (B)
16	784140004	SPRING
17	000103808	SCREW 3X5
18	784142006	HINGE PIN
19	784161001	SET PLATE
20	785266000	HINGE
21	000070908	WASHER
22	000104201	SCREW 3.5X10
23	785267001	HINGE RING
24	000111201	SCREW 4X4
25	784143007	STOPPER
26	785282002	MACHINE BASE
27	785260004	WASHER
28	784135006	CUSHION
29	000070300	WASHER
30	784169009	HINGE SCREW
31	784136007	HINGE SCREW
32	000103509	SCREW 4X10
33	785259000	SET PLATE
34	784133004	CUSHION BASE
35	000062907	NUT

"NON KEY NUMBERED PARTS CANNOT BE REPLACED LOCALLY  
AND REFERENCE SHOULD BE MADE TO CODE NT."

TWO NEEDLE / FOUR THREAD OVERLOCK  
STANDARD FEED

"NON KEY NUMBERED PARTS CANNOT  
BE REPLACED LOCALLY AND REFERENCE  
SHOULD BE MADE TO CODE NT."





KENMORE OVERLOCK MACHINE HEAD : MODEL NUMBER 385.1564180

\*\*\*\*\*  
TWO NEEDLE / FOUR THREAD OVERLOCK  
STANDARD FEED

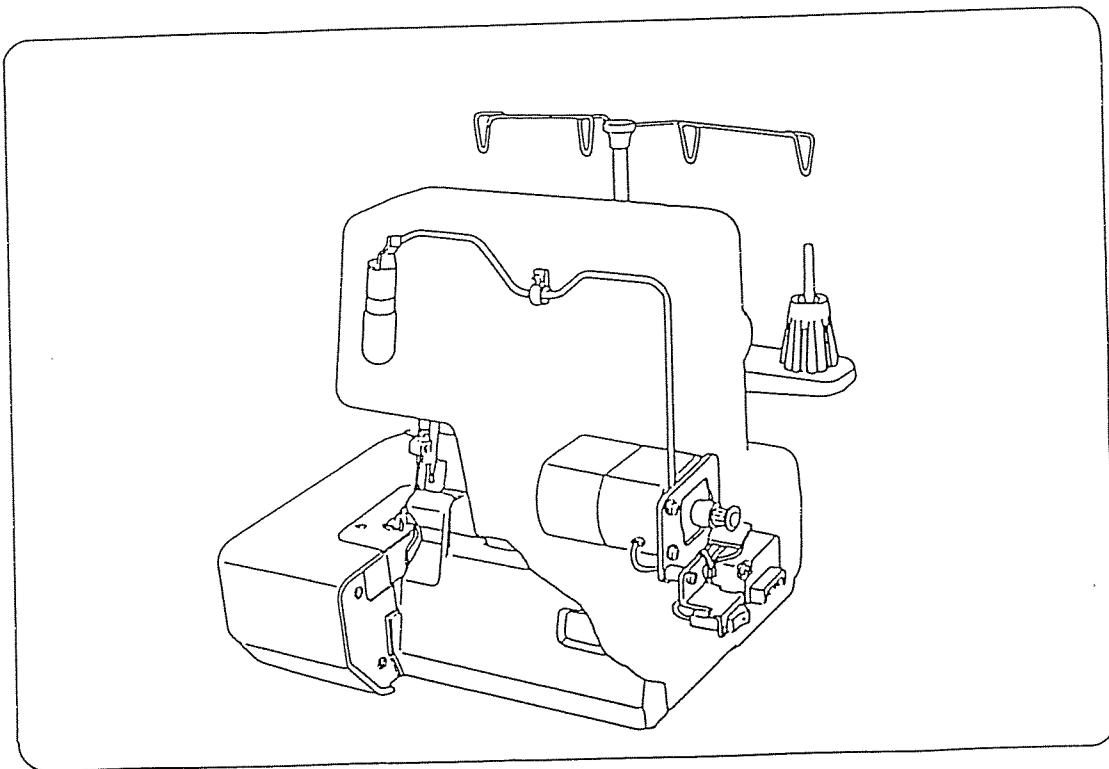
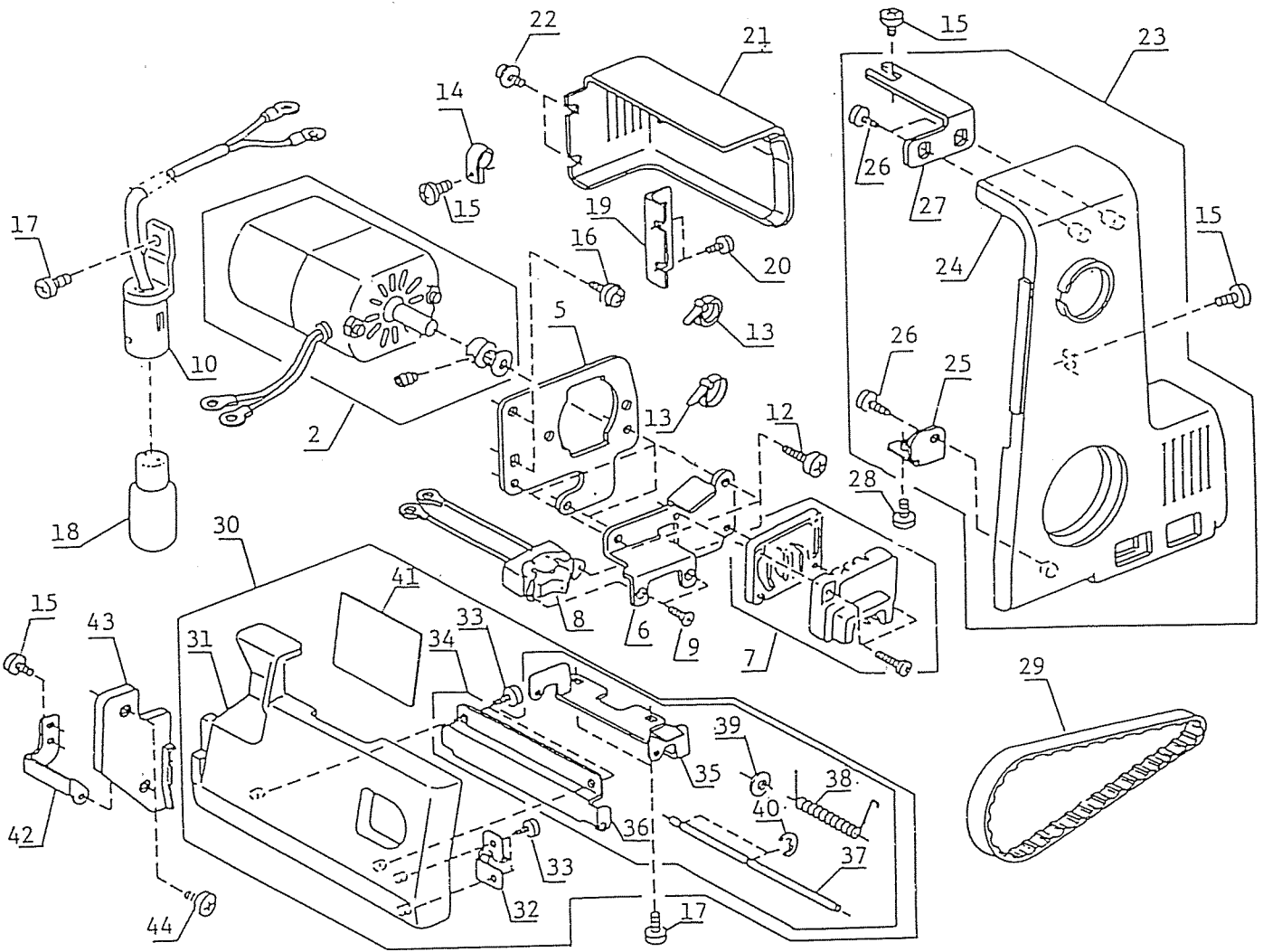
PAGE 3

KEY NO.	PART NO.	DESCRIPTION
1	784005006	CARRYING HANDLE
2	784006007	PIN.
3	000014007	CS RING 4
4	785671002	FACE PLATE UNIT
5	785206002	FACE PLATE
6	822532008	THREAD CUTTER
7	785207003	REFLECTING STICKER
8	785272009	REFLECTING PLATE
9	000106812	SCREW 4X35
10	785609009	NEEDLE PLATE
11	784004005	ECCENTRIC PIN
12	000111902	SCREW 3X4
13	681009101	SCREW
14	784168008	SET PLATE
15	000081005	SCREW 4X8
16	784029006	PRESSER BAR
17	785203009	BUSHING
18	784030000	SPRING
19	785204000	PRESSURE SCREW
20	724118007	GUIDE BRACKET
21	000111304	SCREW 5X5
22	650032015	PRESSER FOOT LIFTER
23	810431009	HINGE SCREW
24	784032002	PRESSER BAR GUIDE
25	000111201	SCREW 4X4
26	785502104	PRESSER FOOT UNIT
27	785501103	PRESSER FOOT
28	784501007	FOOT HOLDER
29	763048006	SCREW
30	785277004	SUPPORTING PLATE (L)
31	785278005	SUPPORTING PLATE (R)

"NON KEY NUMBERED PARTS CANNOT BE REPLACED LOCALLY  
AND REFERENCE SHOULD BE MADE TO CODE NT."

TWO NEEDLE / FOUR THREAD OVERLOCK  
STANDARD FEED

"NON KEY NUMBERED PARTS CANNOT  
BE REPLACED LOCALLY AND REFERENCE  
SHOULD BE MADE TO CODE NT."





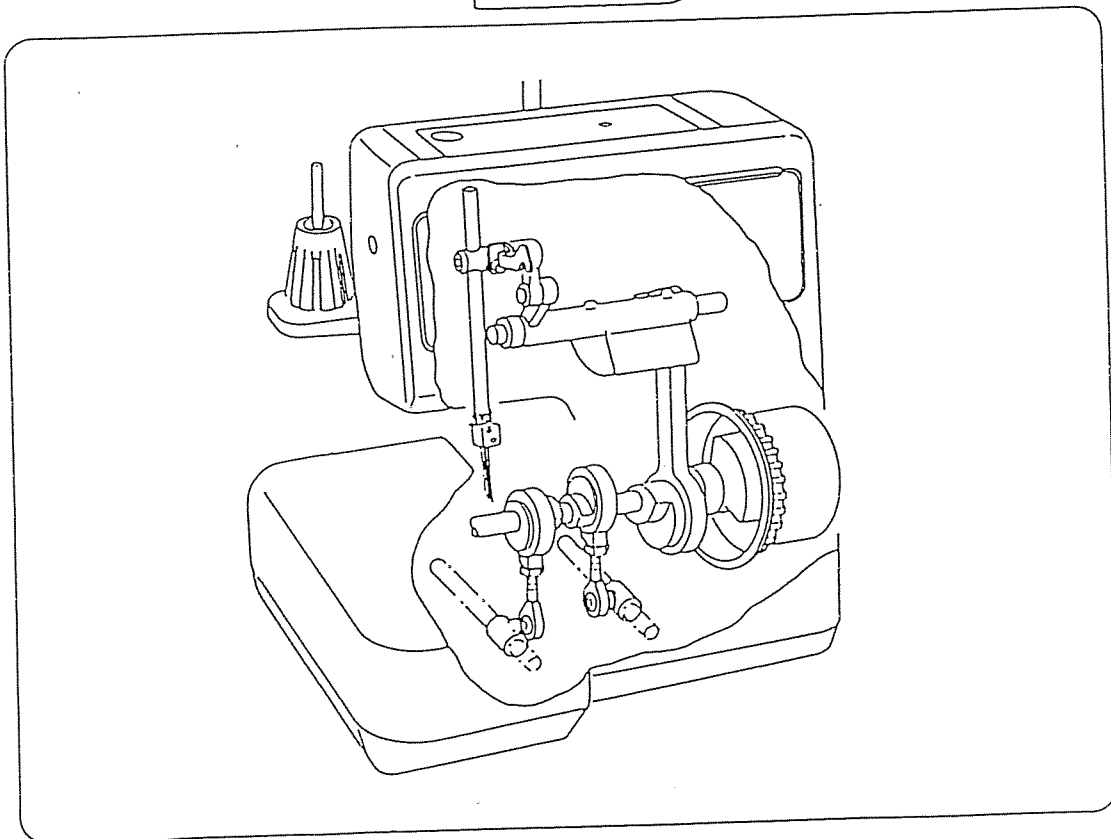
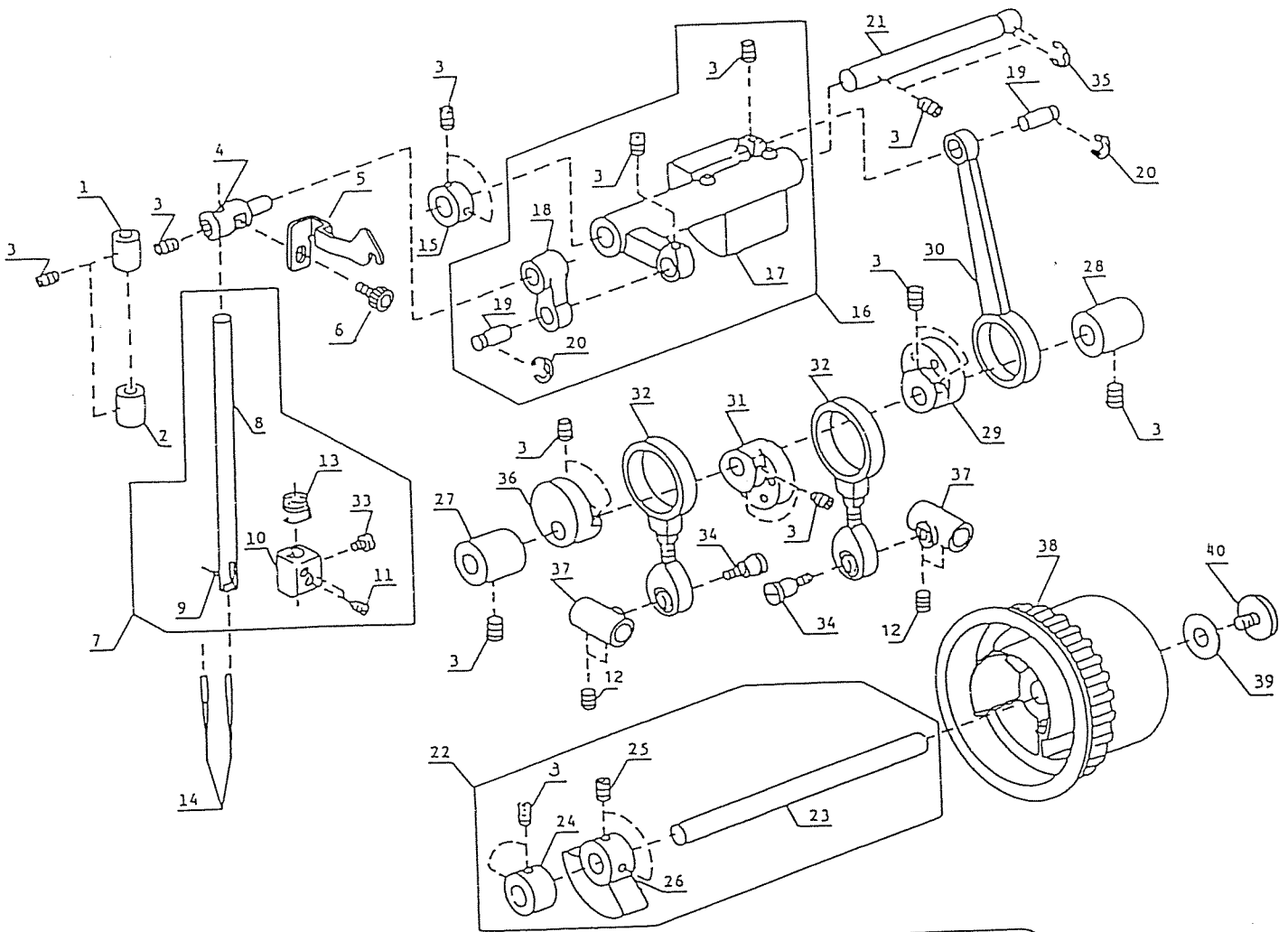


\*\*\*\*\*  
TWO NEEDLE / FOUR THREAD OVERLOCK  
STANDARD FEED

KEY NO.	PART NO.	DESCRIPTION
2-1	M-2045	MOTOR 240V
2-2		MOTOR 120V
5	013400107	MOTOR BRACKET
6	785253004	TERMINAL BRACKET
7-1	784508004	TERMINAL BLOCK
8	785550004	SWITCH ASSY
9	000078906	SCREW 2.6X4
10 -1	784503009	LAMP SOCKET UNIT 240V
12	000081005	SCREW 4x8
13	000053008	NYLON BELT
14	000188405	NYLON CORD GUARD
15	000081005	SCREW 4X8
16	000115504	SCREW 5X10
17	000101404	SCREW 4X6
18 -1	000009009	LIGHT BULB 240V 15W BA15D
19	784125003	SET PLATE
20	000081119	SCREW 4X6
21	785255006	MOTOR COVER
22	000115009	SCREW 3X8
23	785689003	BELT COVER UNIT
24	785289102	BELT COVER
25	784130001	SET PLATE
26	000120214	SCREW 3X8 (B)
27	785258009	SET PLATE
28	000103509	SCREW 4X10
29	784124002	MOTOR BELT
30	785677204	LOOPER COVER UNIT
31	785251208	LOOPER COVER
32	784118003	STOPPER
33	000149301	SCREW 3X8 (B)
34	784619XXX	LOOPER COVER HINGE UNIT
35	784119004	LOOPER COVER SUPPORTER
36	784120019	LOOPER COVER HINGE
37	784121010	PIN
38	784122000	SPRING
39	000071013	WASHER
40	000002105	SNAP RING
41	785279006	STITCH CHART
42	784152009	SET PLATE
43	785252003	LOOPER COVER GUIDE
44	000078320	SCREW 3X6
7-2	784511206	TERMINAL BLOCK
10-2	784514003	LAMP SOCKET UNIT 120V
18-2	000008606	LIGHT BULB 120V 15W E12

TWO NEEDLE / FOUR THREAD OVERLOCK  
STANDARD FEED

"NON KEY NUMBERED PARTS CANNOT  
BE REPLACED LOCALLY AND REFERENCE  
SHOULD BE MADE TO CODE NT."



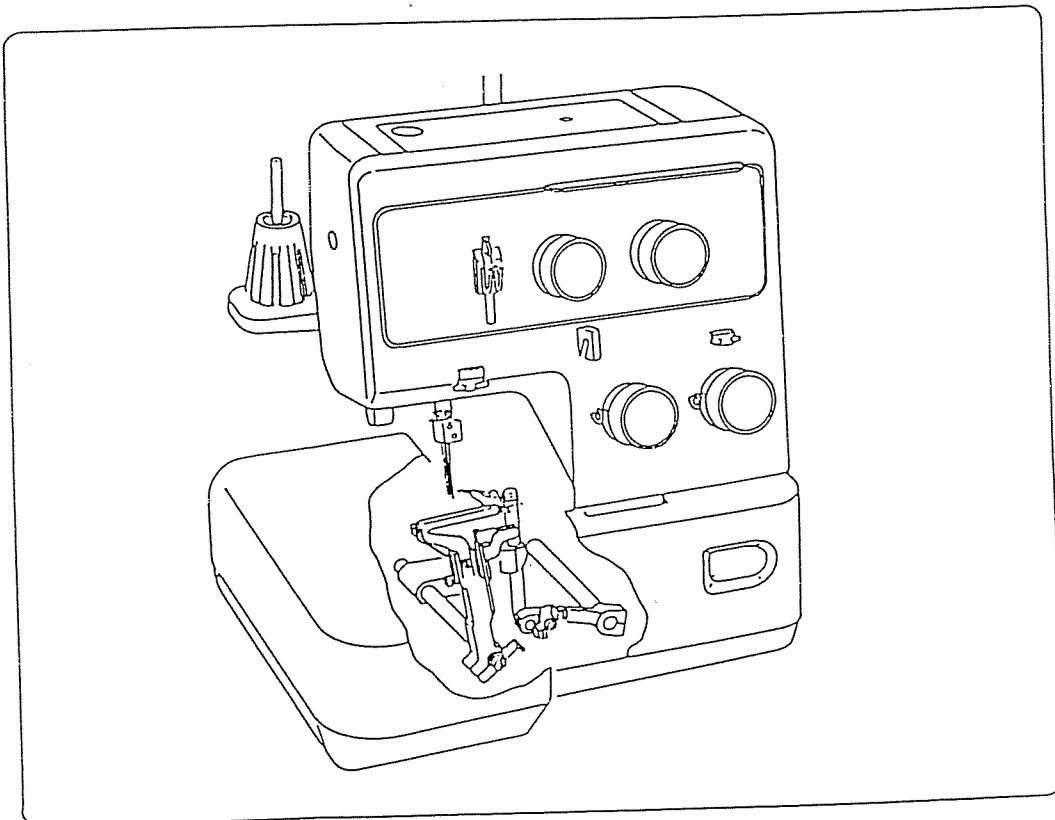
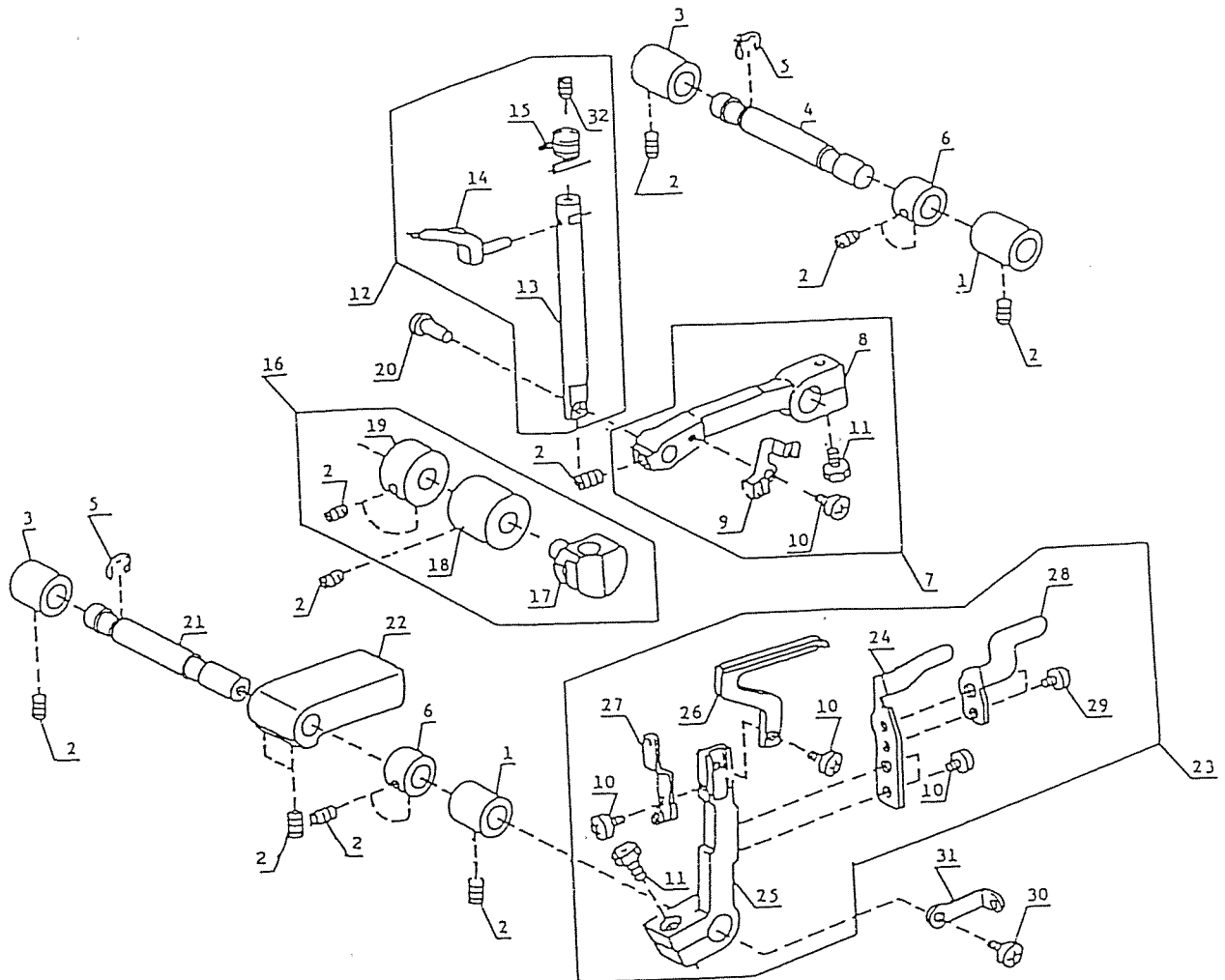


\*\*\*\*\*  
TWO NEEDLE / FOUR THREAD OVERLOCK  
STANDARD FEED

KEY NO.	PART NO.	DESCRIPTION
1	784027004	BUSHING
2	784028005	BUSHING
3	000111201	SCREW 4X4
4	784024001	CONNECTING STUD
5	785202008	TAKE UP LEVER
6	000084503	BOLT 3X6
7	785603025	NEEDLE BAR UNIT
8	785003029	NEEDLE BAR
9	000022307	SPRING PIN
10	785004020	NEEDLE CLAMP
11	785008024	SCREW
12	000111201	SCREW 4X4
13	785009003	THREAD GUIDE
14	784157015	#14 NEEDLE HA-1 SP
15	787106007	RING
16	785684008	NEEDLE BAR CRANK UNIT
17	785287007	NEEDLE BAR CRANK
18	784021008	NEEDLE BAR LINK
19	784022009	PIN
20	000001609	SNAP RING
21	784023000	CRANK SHAFT
22	785630009	MAIN SHAFT UNIT
23	785101006	MAIN SHAFT
24	619006002	RING
25	000111304	SCREW 5X5
26	784167007	BALANCE WEIGHT
27	673062004	BUSHING
28	784009000	BUSHING
29	784010004	DRIVE CAM
30	784011005	CRANK ROD
31	784012006	DRIVE CAM
32	784602009	LOOPER DRIVE LINK
33	785026017	SCREW
34	784016000	HINGE SCREW
35	000002806	SNAP RING
36	784017001	DRIVE CAM
37	784018002	LOOPER CRANK
38	784019003	HAND WHEEL
39	556047007	WASHER
40	618070004	SCREW

TWO NEEDLE / FOUR-THREAD OVERLOCK  
STANDARD FEED

"NON KEY NUMBERED PARTS CANNOT  
BE REPLACED LOCALLY AND REFERENCE  
SHOULD BE MADE TO CODE NT."





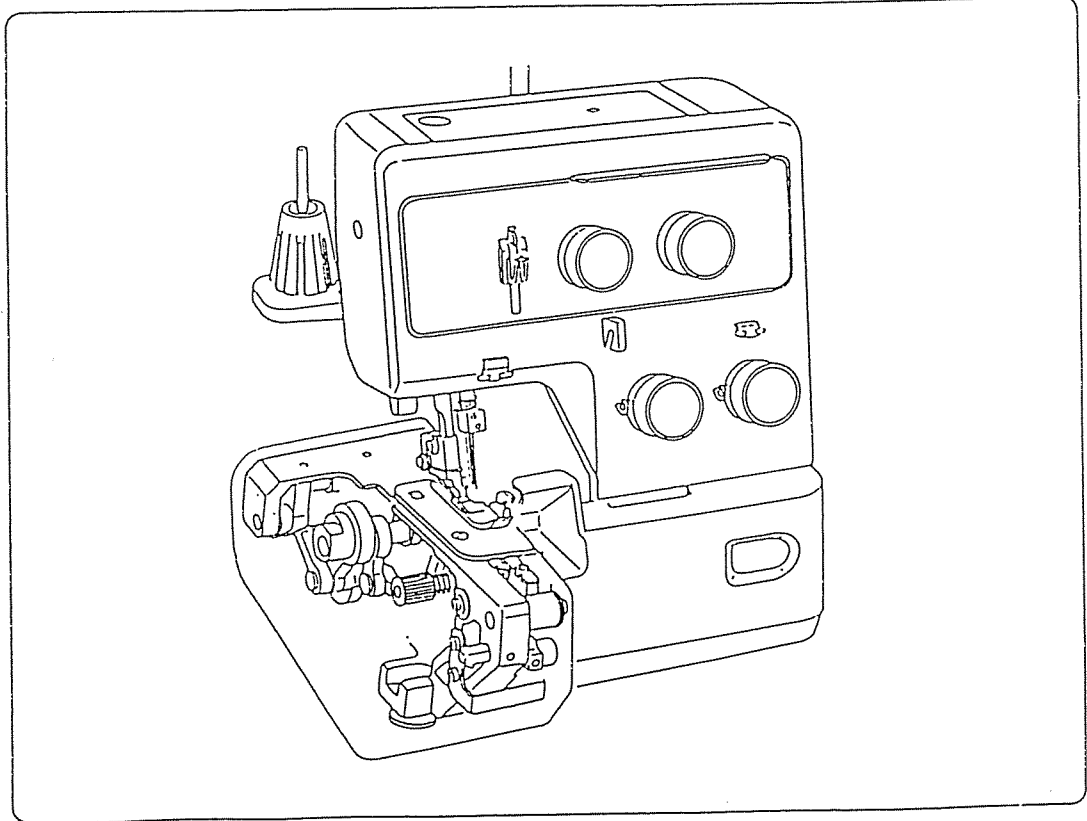
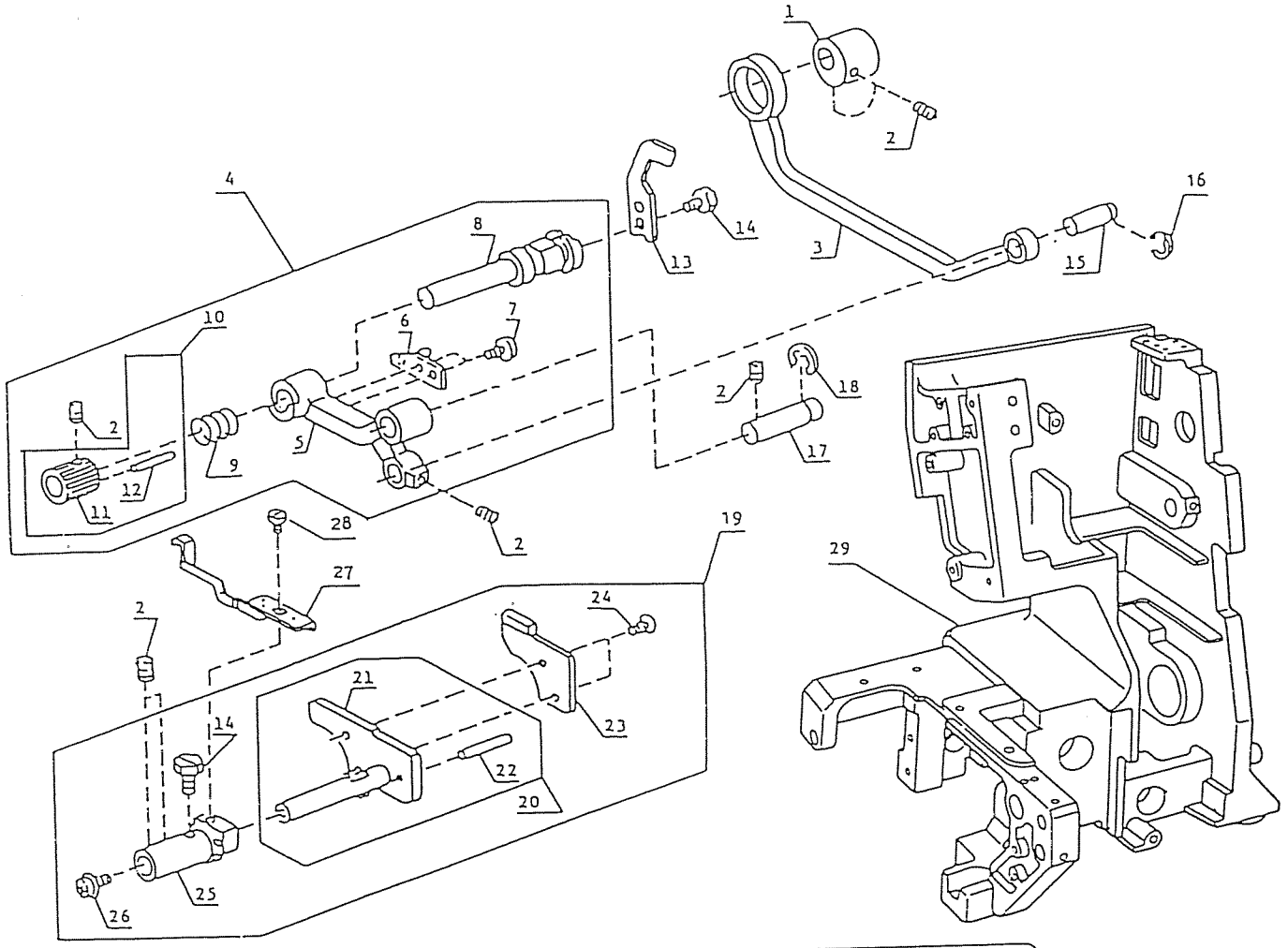
\*\*\*\*\*  
TWO NEEDLE / FOUR THREAD OVERLOCK  
STANDARD FEED

KEY NO.	PART NO.	DESCRIPTION
1	784164004	BUSHING
2	000111201	SCREW 4X4
3	784071003	BUSHING
4	784072015	CRANK SHAFT
5	000002806	SNAP RING
6	694160008	RING
7	785604200	DRIVE SHAFT UNIT
8	784073005	DRIVE ARM
9	785020206	THREAD GUIDE
10	000078320	SCREW 3X6
11	000138008	BOLT 4X16
12	785605005	DRIVE SHAFT UNIT
13	784075007	DRIVE SHAFT
14	784076008	UPPER LOOPER
15	784077009	THREAD GUIDE
16	787619008	SHAFT GUIDE UNIT
17	787112006	SHAFT GUIDE
18	787113007	BUSHING
19	787106007	RING
20	784080005	HINGE PIN
21	785017015	CRANK SHAFT
22	785226008	BALANCE WEIGHT
23	785610508	LOWER LOOPER UNIT
24	787383000	NEEDLE GUARD
25	785024004	DRIVE ARM
26	784083008	LOWER LOOPER
27	784085206	THREAD GUIDE
28	785023003	NEEDLE GUARD
29	000101116	SCREW 3X4
30	000103004	SCREW 3.5X6
31	785010203	THREAD GUIDE
32	000112501	SCREW 4X4



TWO NEEDLE / FOUR THREAD OVERLOCK  
STANDARD FEED

"NON KEY NUMBERED PARTS CANNOT  
BE REPLACED LOCALLY AND REFERENCE  
SHOULD BE MADE TO CODE NT."



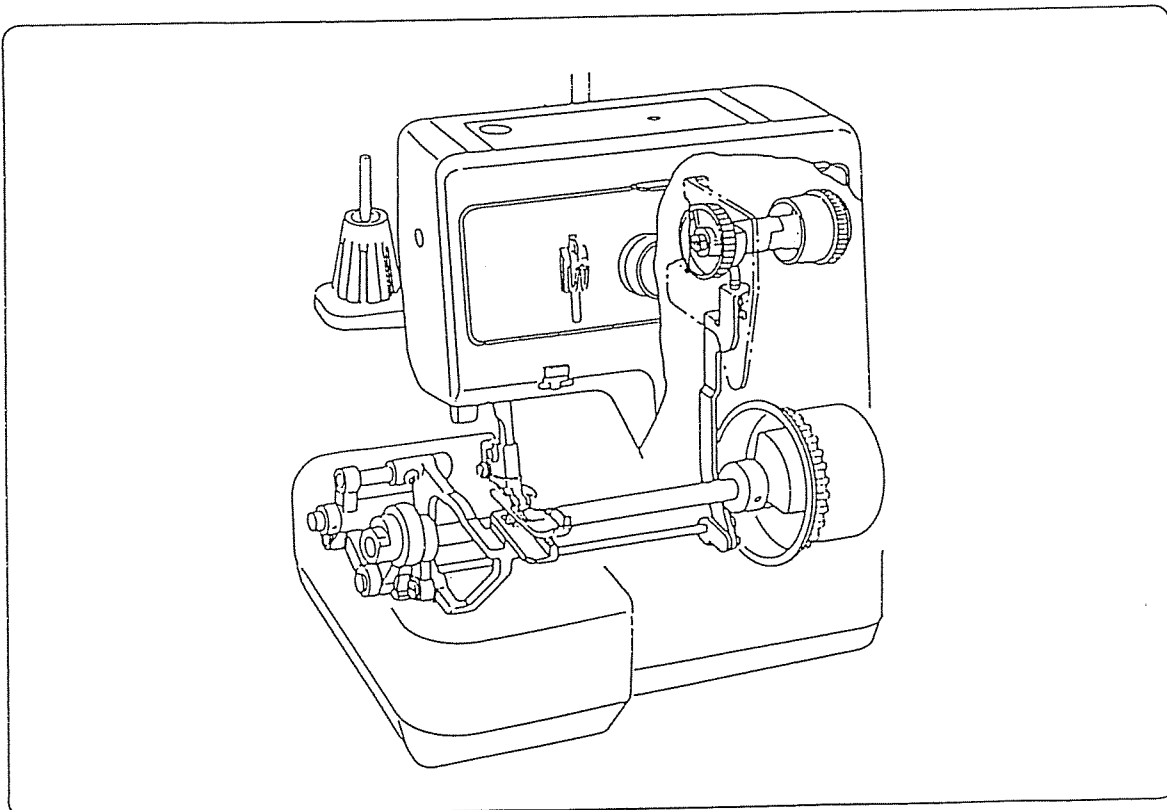
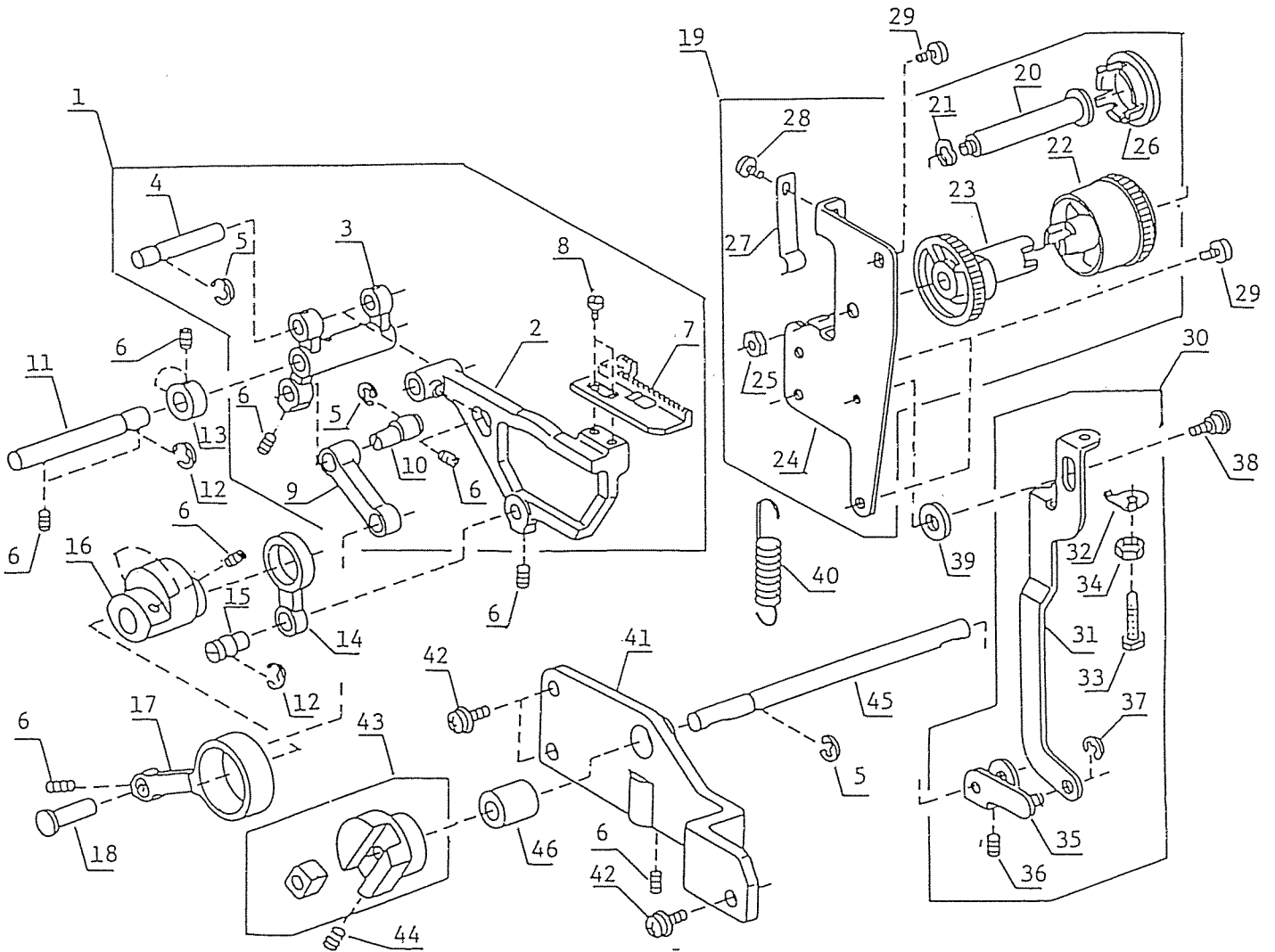


\*\*\*\*\*  
TWO NEEDLE / FOUR THREAD OVERLOCK  
STANDARD FEED

KEY NO.	PART NO.	DESCRIPTION
1	784038008	DRIVE CAM
2	000111201	SCREW 4X4
3	784039009	CONNECTING ROD
4	784606003	DRIVE ARM UNIT
5	784040003	DRIVE ARM
6	784041004	UPPER KNIFE GUIDE
7	810220003	SCREW 4X6.5
8	784042005	UPPER KNIFE SUPPORTER
9	784043006	SPRING
10	784607XXX	KNOB UNIT
11	784044007	KNOB
12	000003601	SPRING PIN
13	784045020	UPPER KNIFE
14	624303008	BOLT 4X6
15	784022009	PIN
16	000001609	SNAP RING
17	784046009	PIN
18	000002909	SNAP RING
19	784608005	LOWER KNIFE UNIT
20	784609XXX	SUPPORTER UNIT
21	784047000	SUPPORTER
22	000123402	PIN
23	784048001	LOWER KNIFE
24	000102221	SCREW 4X6
25	784049C02	BUSHING
26	000115401	SCREW 3X4
27	785027007	NEEDLE GUARD
28	000078319	SCREW 3x6
29	785930013	MACHINE BODY

TWO NEEDLE / FOUR THREAD OVERLOCK  
STANDARD FEED

"NON KEY NUMBERED PARTS CANNOT  
BE REPLACED LOCALLY AND REFERENCE  
SHOULD BE MADE TO CODE NT."





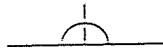


-----  
TWO NEEDLE / FOUR THREAD OVERLOCK  
STANDARD FEED

PAGE 8

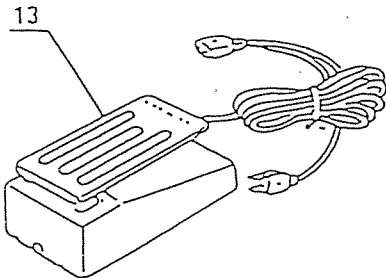
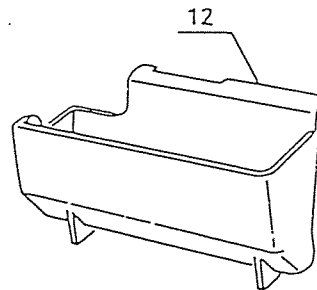
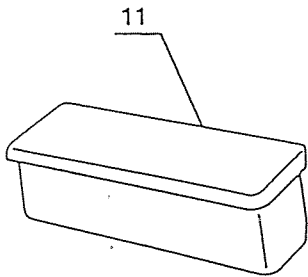
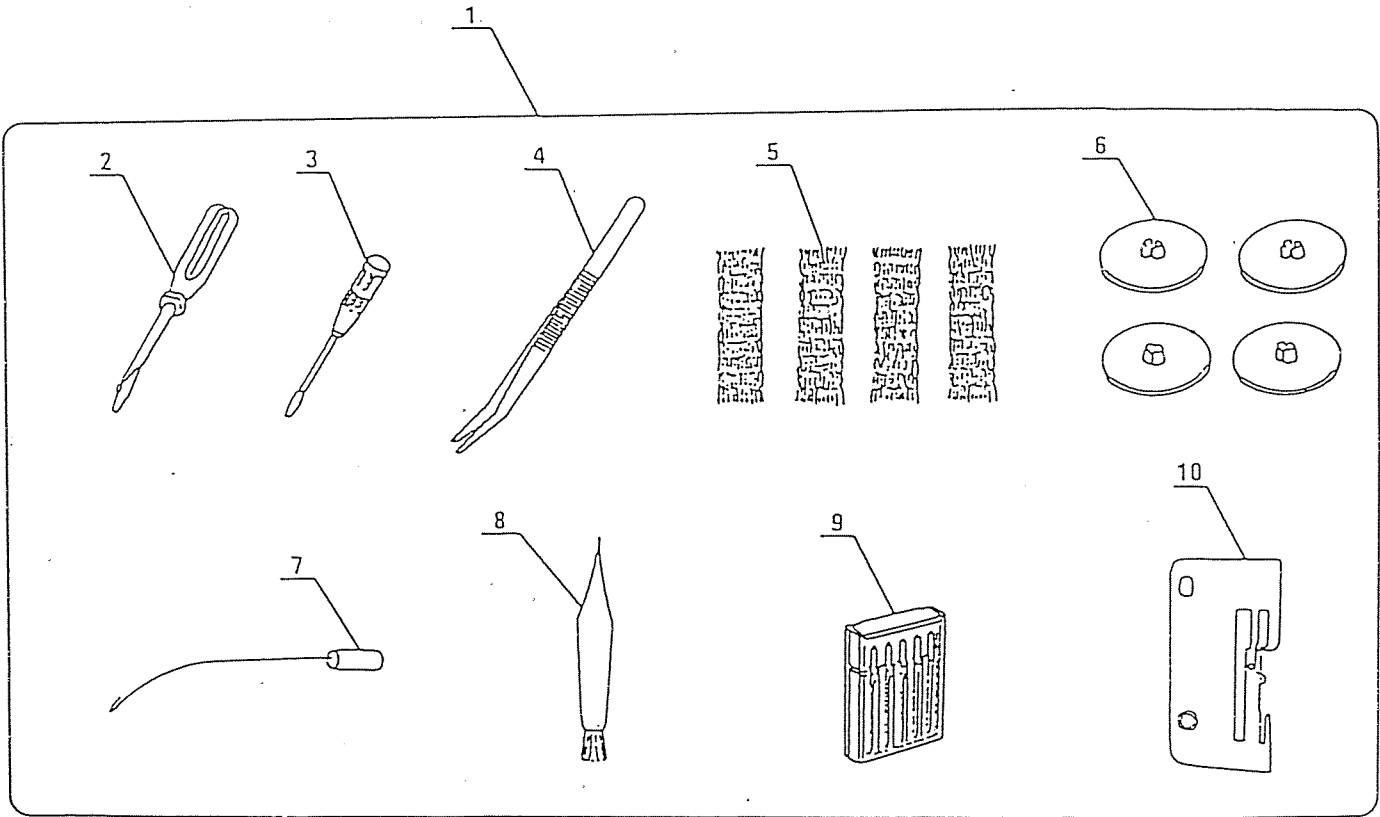
KEY NO.	PART NO.	DESCRIPTION
1	785672106	FEED BAR UNIT
2	784062001	FEED BAR
3	785212001	LINK
4	784064003	PIN
5	000001609	SNAP RING
6	000111201	SCREW 4X4
7	784185001	FEED DOG
8	784186002	SCREW
9	785215004	LINK
10	785216005	PIN
11	784069019	LINK CONNECTING PIN
12	000002806	SNAP RING
13	624245001	RING
14	784067006	FEED LIFT LINK
15	784068007	ECCENTRIC PIN
16	785213002	FEED CAM
17	785214003	FEED LINK
18	785151001	FEED LINK PIN
19	785674XXX	STITCH LENGTH DIAL UNIT
20	785218007	DIAL PIN
21	000116206	WASHER
22	785220002	STITCH LENGTH DIAL
23	785219008	FEED REGULATING CAM
24	785217006	SET PLATE
25	000061102	NUT
26	785221003	CAP
27	785140007	SPRING
28	000081119	SCREW 4X6
29	000081005	SCREW 4X8
30	785675XXX	FEED ROD UNIT
31	785223005	FEED ROD
32	785276003	SET PLATE
33	785224006	ADJUSTING SCREW
34	000160102	NUT
35	785225007	FEED ROCK ARM
36	000111500	SCREW 4X8
37	000002105	SNAP RING
38	785286006	HINGE SCREW
39	785222004	WASHER
40	785146003	SPRING
41	785208004	SET PLATE
42	000114802	SCREW 4X12
43	785551005	FEED REGULATOR UNIT
44	000111304	SCREW 5X5
45	785211000	FEED BAR PIN
46	625144002	BUSHING

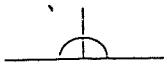
"NON KEY NUMBERED PARTS CANNOT BE REPLACED LOCALLY  
AND REFERENCE SHOULD BE MADE TO CODE NT."



TWO NEEDLE/FOUR THREAD OVERLOCK

"NON KEY NUMBERED PARTS CANNOT BE REPLACED LOCALLY AND REFERENCE SHOULD BE MADE TO CODE NT."





\*\*\*\*\*  
TWO NEEDLE/FOUR THREAD OVERLOCK

KEY NO.	PART NO.	DESCRIPTION
1	785864004	ACCESSORY SET
2	762402009	SCREW DRIVER (LARGE)
3	366413003	SCREW DRIVER (SMALL)
4	624801001	TWEEZERS
5	624806006	NET
6	822020307	SPOOL CAP
7	784806005	LOOPER THREADER
8	802424004	LINT BRUSH
9	784860007	NEEDLE SET
10	784626009	ROLLED HEMMING NEEDLE PLATE
11	785817002	ACCESSORY BOX
12	785816001	WASTE CHIP BOX
13 -1	C-2034	FOOT CONTROL 240V
14	785800932	INSTRUCTION BOOK
13-2	C-1017	FOOT CONTROL 120V