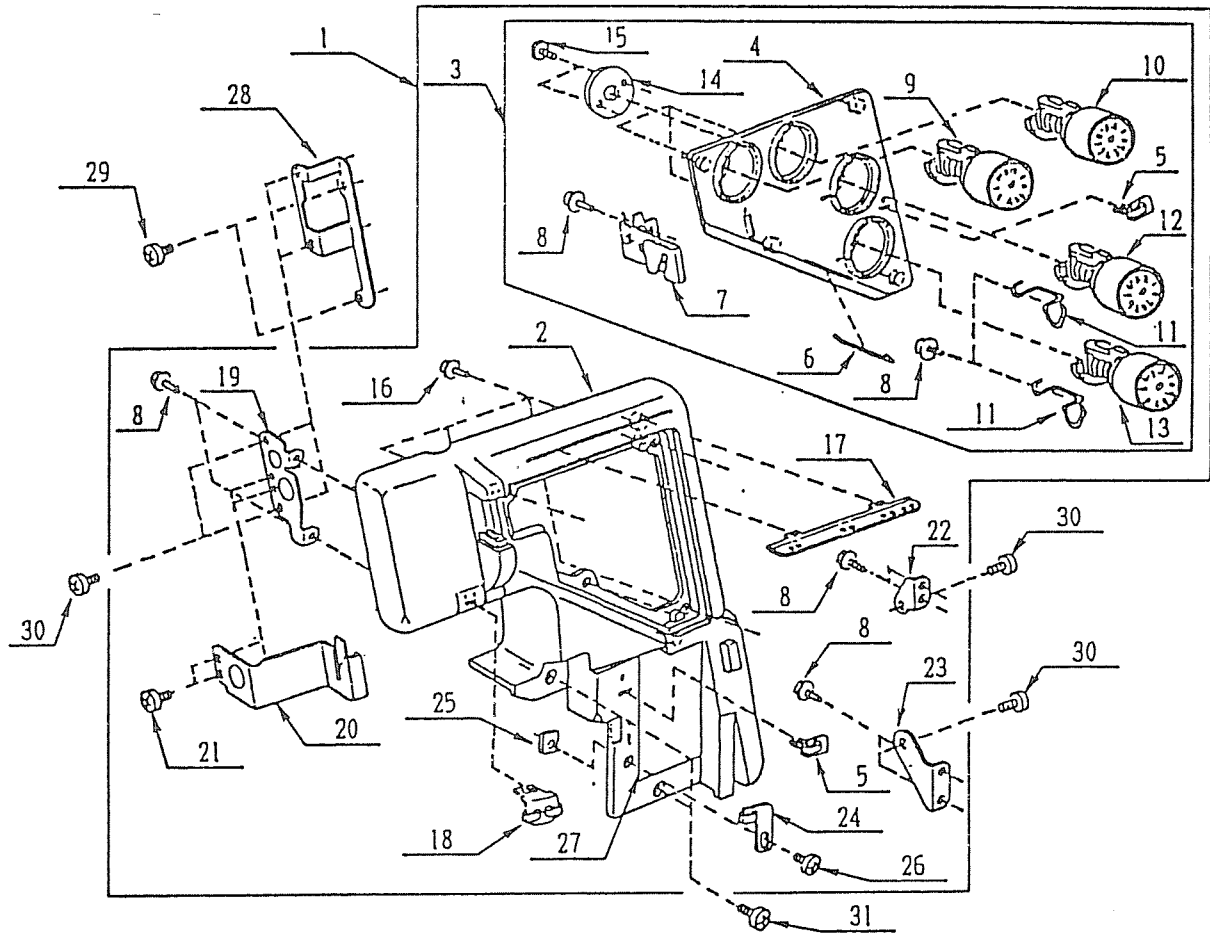


# PARTS LIST

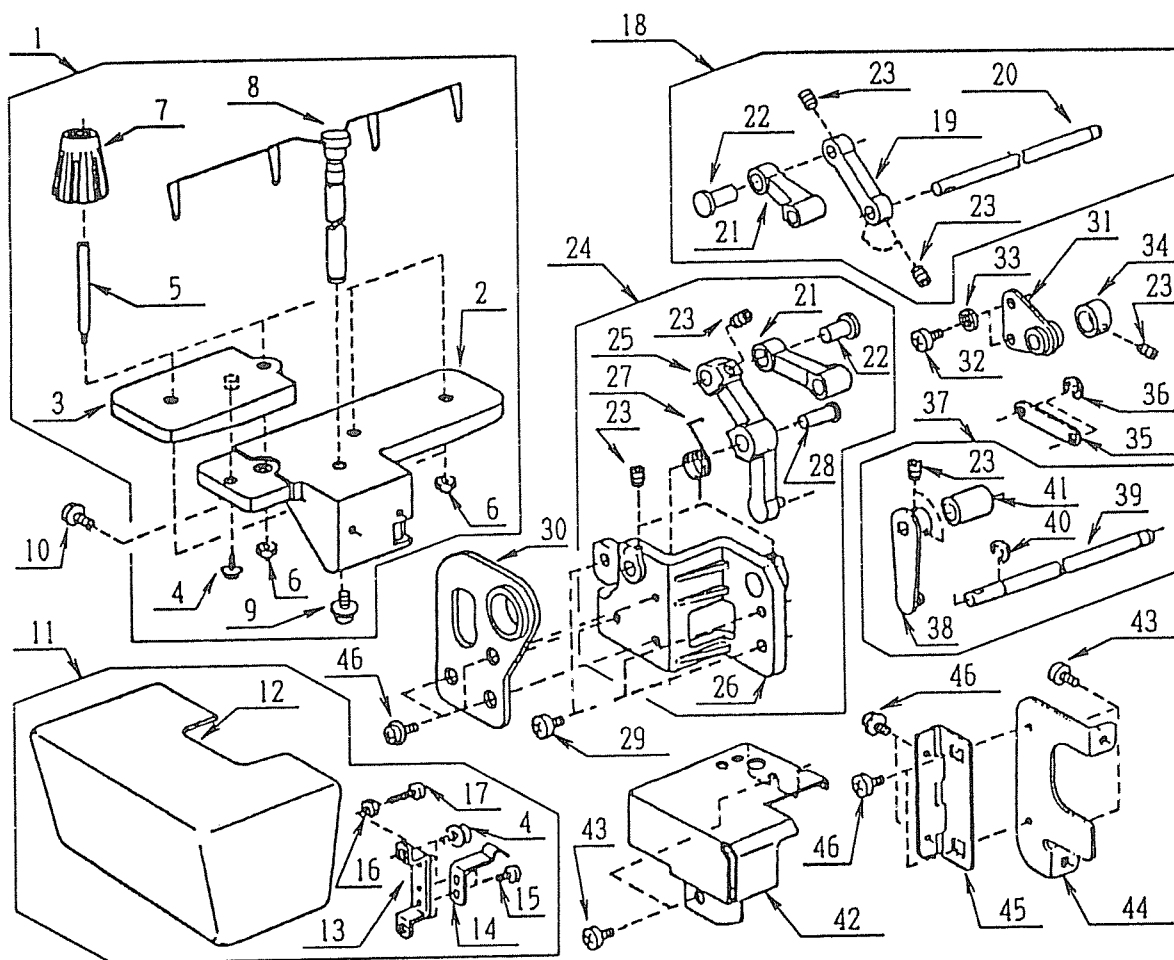
MODELS 534 & 534D

Part list for Model 534D 1/9



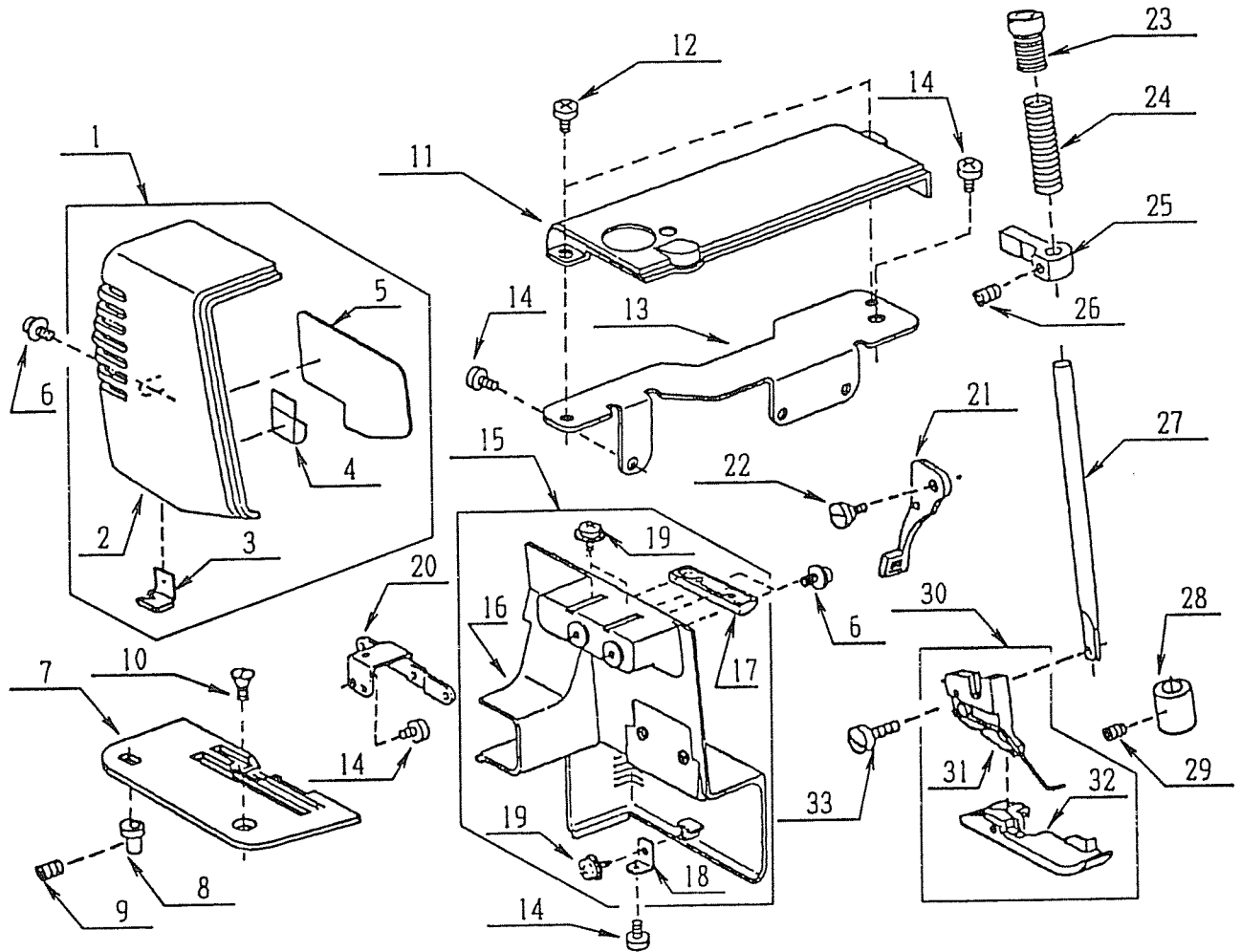
N0	Part NO	Part Name	N0	Part No	Part Name
1	787673000	Front cover unit	23	787367008	Cover set plate 3
	787673206	Front cover unit	24	784106008	L. looper t. guide 1
2	787358202	Front cover	25	630005006	Nut
3	787674001	Thread tension panel unit	26	000066727	Set screw 3 x 8
	787674207	Thread tension panel unit	27	787368009	Sticker
4	787359306	Thread tension panel	28	787369000	Cover set plate
	787359708	Thread tension panel	29	000081005	Set screw 4 x 8
5	787131001	U. looper thread guide	30	000101404	Set plate 4 x 6
6	787361002	Looper thread base	31	000103417	Set screw 4 x 8 Cr
7	785607007	Check spring			
8	000149301	Tapping screw 3 x 8			
9	787542102	L. needle tension unit			
10	787543103	R. needle tension unit			
11	785231006	Thread guide			
12	787544104	U. looper tension unit			
13	787545105	L. looper tension unit			
14	785243001	Thread tension base plate			
15	000068006	Set screw 3 x 8			
16	000149002	Tapping screw 3 x 10			
17	787363004	Thread guide plate			
18	785015002	Needle thread guide 2			
19	787364005	Cover set plate 1			
20	787365006	Take-Up lever cover			
21	000101105	Set screw 3 x 4			
22	787366007	Cover set plate 2			

Part list for Model 534D 2/9



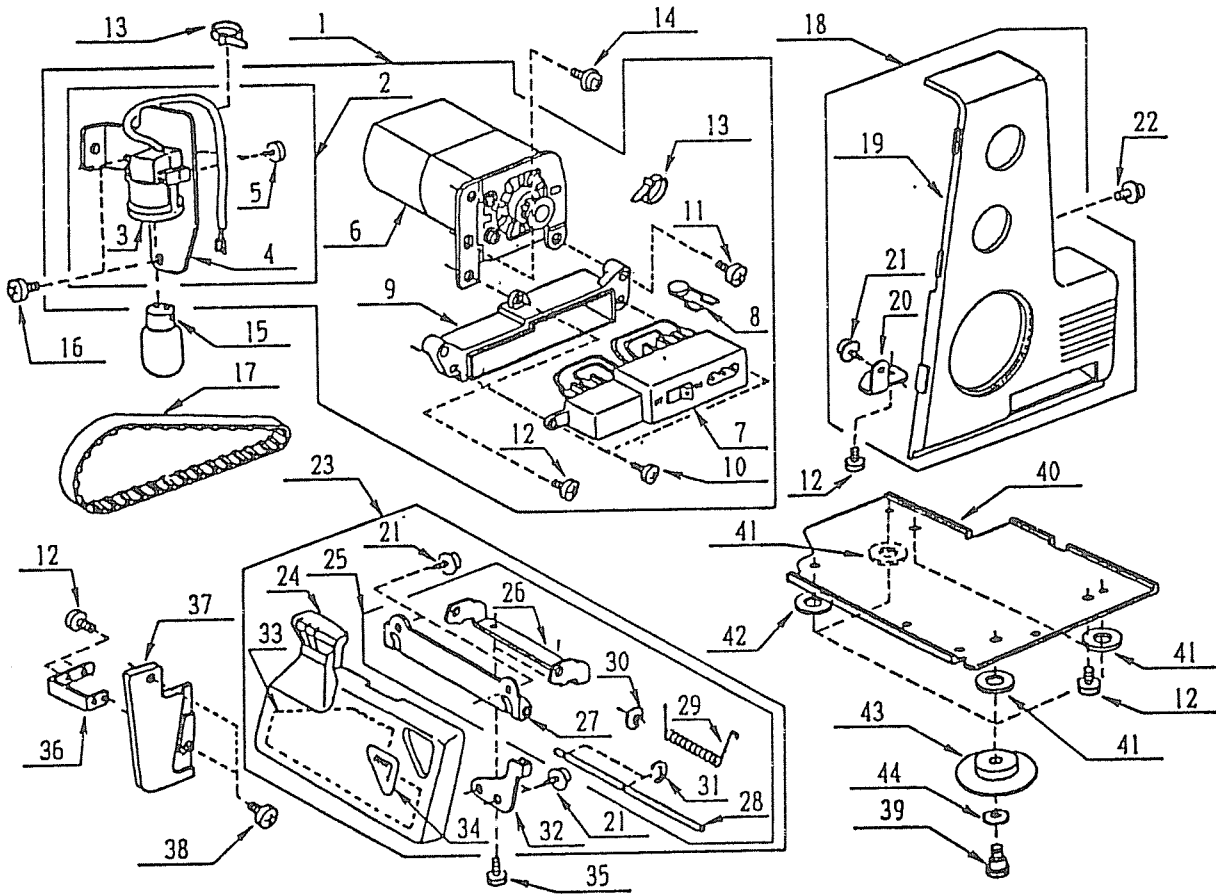
NO	Part NO	Part Name	NO	Part No	Part Name
1	785681108	Spool pin stand unit	26	787074005	Feed adjusting base
2	785268105	Spool pin stand	27	787301004	Con. arm spring
3	785269106	Sub spool pin stand	28	787076007	Con. arm pin
4	000149301	Tapping screw 3 x 8B	29	000103509	Set screw 4 x 10
5	784222012	Spool pin	30	787354002	Main shaft set plate
6	000061205	Nut 4-3-7	31	787077008	Con. arm support
7	784223105	Spool holder	32	810220003	Set screw 4 x 6.5
8	785692102	Thread guide stand	33	000071013	Washer
9	000115700	TP screw 4 x 10	34	650136009	Ring
10	000114802	TP screw 4 x 12	35	787081005	Feed con. arm link
11	787654005	Side cover unit	36	000002105	Snap ring E-3
12	787303006	Side cover	37	787655006	S. feed con. arm B unit
13	787162001	Side cover spring base	38	787193001	S. feed con. arm 2
14	787163002	Side cover spring	39	787270003	S. feed con. shaft B
15	000103808	Set screw 3 x 5	40	000001609	Snap ring E-5
16	000160009	Adjustable nut 3	41	625144002	R. shaft front bushing
17	000104902	Set screw 3 x 16	42	787356004	Feed bar cover
18	787637002	Main feed con. arm 2 unit	43	000081005	Set screw 4 x 8
19	787197005	Main feed con. arm 2	44	787165004	Side cover hinge base
20	787198006	Main feed con. shaft	45	787507002	Side cover hinge unit
21	787067005	Feed link	46	000115618	TP screw 4 x 8
22	787195003	Fed connecting pin			
23	000111201	Hexagon socket screw 4 x 4			
24	787656007	Feed adjusting base unit			
25	787194002	Sub feed connecting arm 3			

Part list for Model 534D..3/9



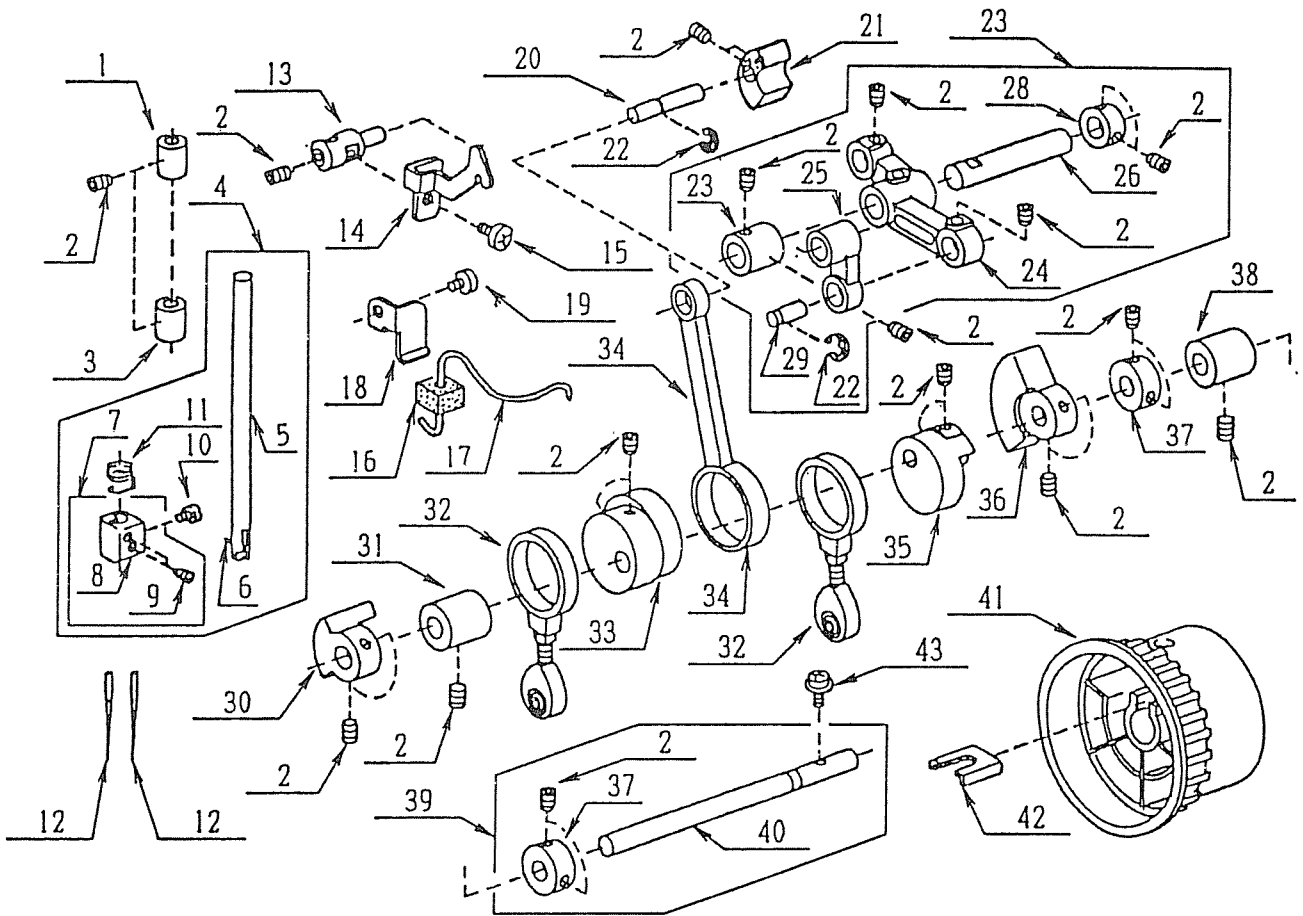
NO	Part NO	Part Name	NO	Part No	Part Name
1	787671008	Face plate unit	26	000111304	H. socket screw 5 x 5
2	787352000	Face plate	27	787019002	Presser bar
3	822532008	Thread cutter unit	28	787214009	Presser bar bracket
4	787382009	Sticker	29	000111201	H. socket screw 4 x 4
5	787353001	Sticker	30	787540007	Presser foot unit
6	000115618	TP screw 4 x 8	31	787541008	Presser holder unit
7	787601007	Needle plate unit	32	785501103	Foot unit
8	784004005	Eccentric pin	33	763048006	Thumb screw
9	000111902	H. socket screw 3 x 4			
10	681009101	Plain screw			
11	787371005	Top cover			
12	000101404	Set screw 4 x 6			
13	787370004	Handle set plate			
14	000081005	Set screw 4 x 8			
15	787648006	Rear cover unit			
16	787293002	Rear cover			
17	787173005	Finger base plate			
18	787174006	Rear cover set plate			
19	000149301	Tapping screw 3 x 8B			
20	787294003	Rear cover set plate			
21	650032015	Presser lifter			
22	810431009	Hinge screw			
23	785204000	Pressure adjusting screw			
24	787020006	Presser bar spring			
25	724118007	Presser bar bracket			

Part list for Model 534D 4/9



NO	Part NO	Part Name	NO	Part No	Part Name
1	787677004	Elec. com. unit 240V	18	787678005	Belt cover unit
	787677107	Elec. com. unit 220V	19	787379302	Belt cover
	787677200	Elec. com. unit 230V	20	787158004	Belt cover set plate
	787680000	Elec. com. unit 120V(UL)	21	000149301	Tapping screw 3 x 8B
	787681001	Elec. com. unit 120V(CSA)	22	000115618	TP screw 4 x 8
2	787631006	Lamp socket com. unit	23	787675002	Looper cover unit
3	787502007	Lamp socket unit		787675105	Looper cover unit
	787510008	Lamp socket unit 120V(UL)	24	787372202	Looper cover
	787512000	Lamp socket unit 120V(CSA)		787372305	Looper cover
4	787026002	Lamp socket set plate	25	787676003	Looper cover hinge unit
	787178000	Lamp socket set plate	26	787373007	Looper cover supporter
5	000161000	Tapping screw 3 x 9P	27	787374008	Looper cover hinge
6	M-2040	Motor unit 240V	28	787121010	Looper cover shaft
	M-2042	Motor unit 230V	29	784122000	Looper cover spring
	M-2045	Motor unit 220V	30	000071013	Washer 4
	M-1049B	Motor unit 120V(UL)	31	000002105	Snap ring E-4
	M-1031B	Motor unit 120V(CSA)	32	787375009	Looper cover stopper
7	784508107	Plug con. rec. unit	33	787376000	Sticker
	787508003	Plug con. rec. unit(UL)	34	787378002	Sticker
	787511206	Plug con. rec. unit(CSA)		787378208	Sticker
8	784509005	Condenser unit	35	000115205	TP screw 4 x 6
9	784128028	Plug con. receptacle cover	36	787153009	L. cover guide supporter
10	000121905	Tapping screw 4 x 12B	37	787377001	Looper cover guide
11	000104108	Set screw 4 x 20	38	000094104	Set screw 3 x 8
12	000081005	Set screw 4 x 8	39	784169009	Hinge screw
13	000053008	Binder	40	787156002	Base plate
14	000115504	TP screw 5 x 10	41	785260004	Washer
15	000009009	Lamp 240V 15W BA15D	42	787204006	Washer 2
	000009803	Lamp 120V 15W	43	784135006	Rubber cushion
16	000101404	Set screw 4 x 6	44	000070300	Washer
17	784124002	Timing belt			

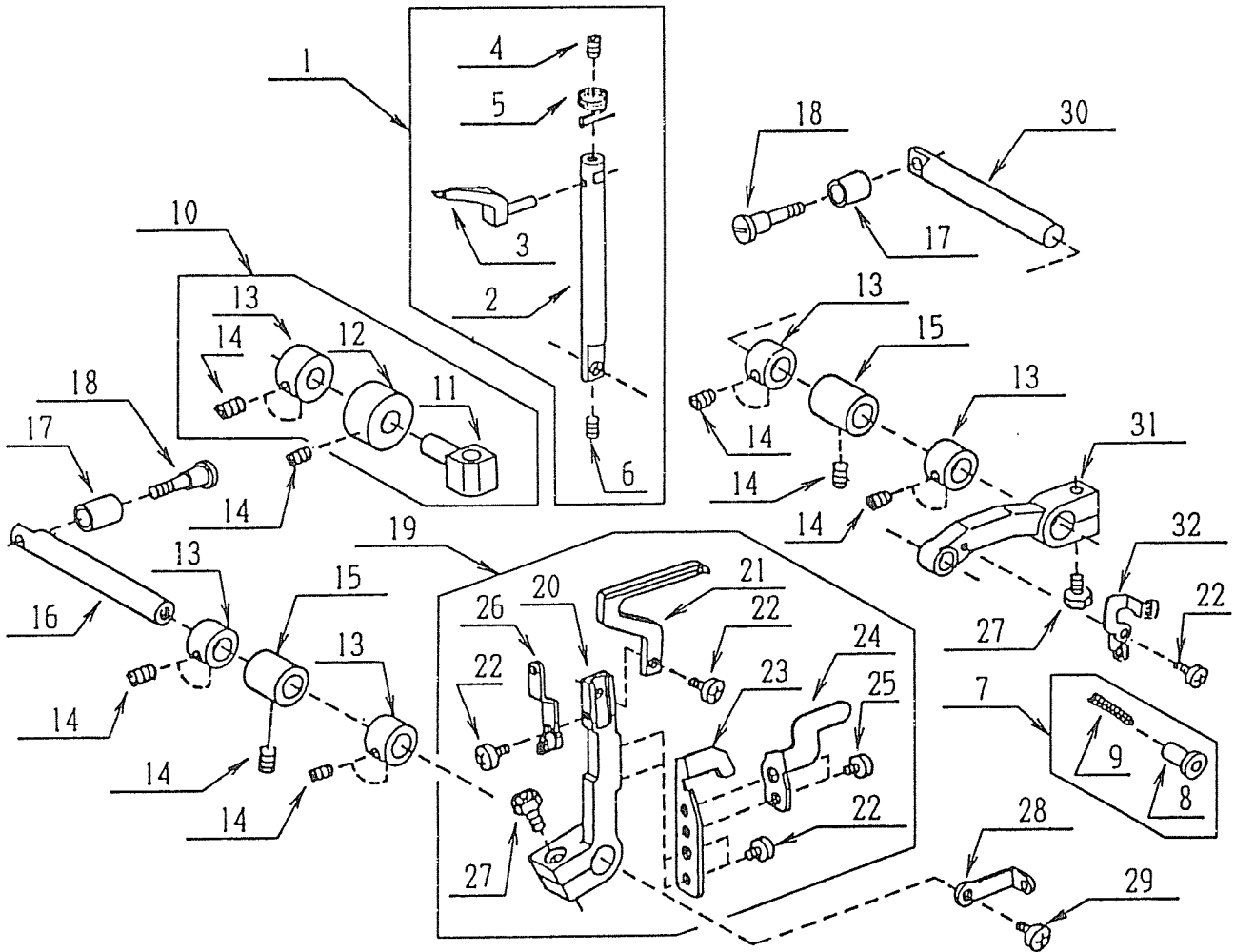
Part list for Model 534D..5/9



NO	Part NO	Part Name
1	784027004	Needle bar upper bushing
2	000111201	H. socket screw 4 x 4
3	784028005	Needle bar lower bushing
4	787606002	Needle bar unit
5	787015008	Needle bar
6	000022307	Spring pin 1.6 x 8
7	785557001	Needle clamp screw unit
8	785004020	Needle clamp
9	785008024	Needle clamp screw
10	785026017	Needle clamp set screw
11	785009003	Needle bar thread guide
12	784157015	Needle HA-1 SP-14
13	784024001	Needle bar bracket
14	787348003	Take up lever
15	000078319	Set screw 3 x 6
16	787027003	Felt 1
17	763033020	Strings
18	787029005	Felt set plate
19	000101404	Set screw 4 x 6
20	787346001	Needle bar balancer pin
21	787347002	Needle bar balancer
22	000001609	Snap ring E-5
23	787604000	Needle bar crank unit
24	787021007	Needle bar crank
25	784021008	Needle bar link

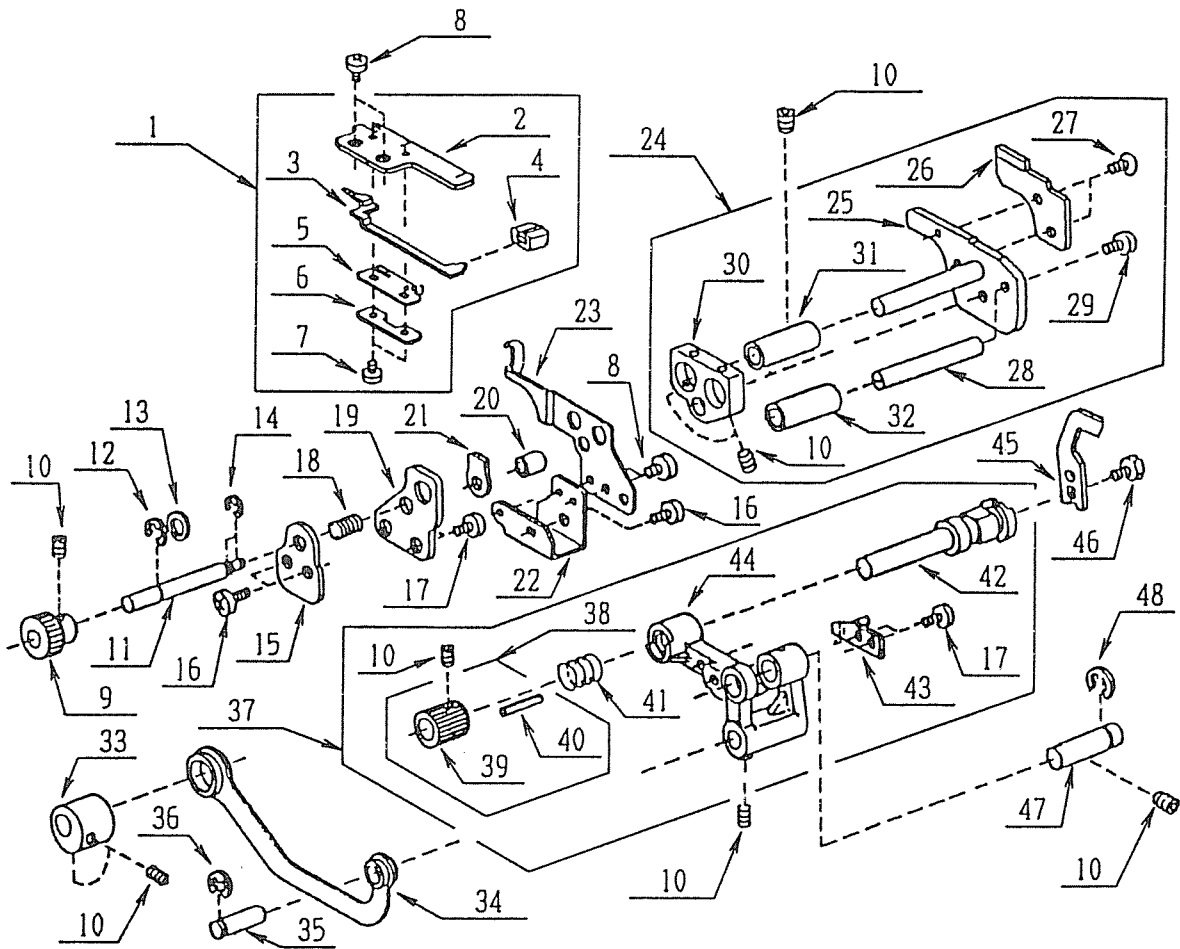
NO	Part No	Part Name
26	787010003	Needle bar crank shaft
27	787011004	Set plate
28	624245001	Ring
29	784022009	Link pin
30	787177009	Left balance weight
31	673062004	Upper shaft rear bushing
32	784602009	Looper cam ring unit
33	787007007	Needle bar cam
34	784011005	Needle bar crank rod
35	787004004	Upper looper cam
36	787176008	Right balance weight
37	619006002	Upper shaft ring
38	784009000	Upper shaft rear bushing
39	787670007	Upper shaft unit
40	787345000	Upper shaft
41	787175007	Balance wheel
42	787114008	Balance wheel set plate
43	000114802	TP screw 4 x 12

Part list for Model 534D..6/9



NO	Part NO	Part Name	NO	Part No	Part Name
1	787618007	Upper looper shaft unit	26	784085206	L. looper thread guide 3
2	787111005	Upper looper shaft	27	000138008	H. socket screw 4 x 16
3	784076008	Upper looper	28	785010203	L. looper thread guide
4	000112501	H. socket screw 4 x 4	29	000103004	Set screw 3.5 x 6
5	784077009	U. looper thread guide 3	30	787105006	U. looper crank shaft
6	000177205	H. socket screw 3 x 6	31	787109000	U. looper waving arm
7	787632007	Upper looper pin unit	32	787110004	Looper thread guide L2
8	787115009	Upper looper pin			
9	787192000	Strings			
10	787619008	U. looper shaft guide unit			
11	787112006	U. looper shaft guide			
12	787113007	Bushing			
13	787106007	Ring			
14	000111201	H. socket screw 4 x 4			
15	787104005	Bushing			
16	787116000	L. looper crank shaft			
17	787107008	Crank spacer			
18	787108009	Crank set screw			
19	785610508	Lower looper unit			
20	785024004	L. looper base 2			
21	784083008	Lower looper			
22	000078320	Set screw 3 x 6			
23	787383000	Rear needle guard			
24	785023003	Front needle guard			
25	000099006	H. socket screw 3 x 4			

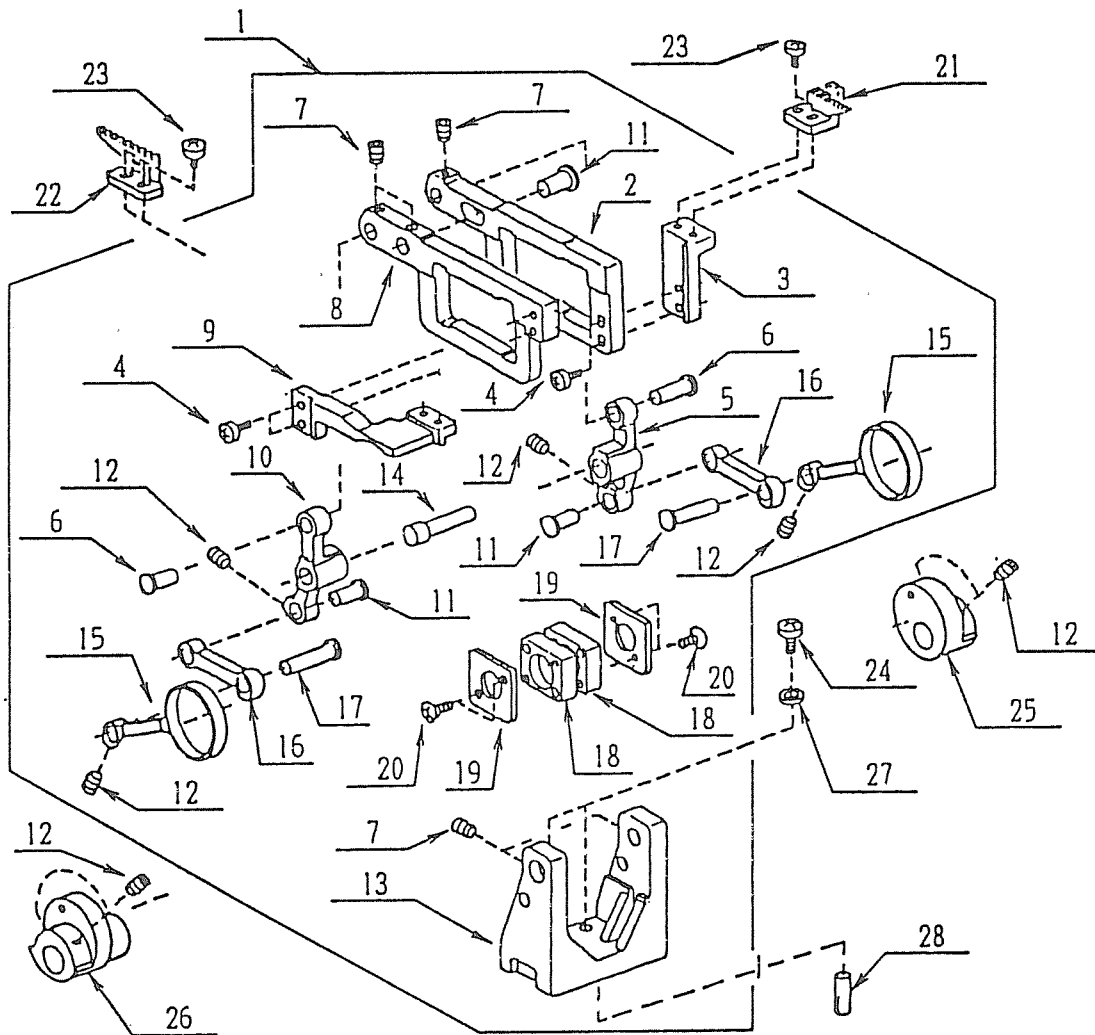
Part list for Model 534D..7/9



NO	Part NO	Part Name	NO	Part No	Part Name
1	787611000	Finger unit	26	787035004	Lower knife
2	787039008	Finger set plate	27	000102221	Set screw 4 x 6
3	787040002	Finger	28	787036005	Lower knife shaft
4	787041003	Finger knob	29	000066727	Set screw 3 x 8
5	787042004	Finger spring	30	787037006	Finger base
6	787043005	Spring set plate	31	787038007	Finger base shaft
7	000098108	Set screw 2 x 3	32	787202004	Finger base shaft 2
8	000101105	Set screw 3 x 4	33	784038008	Knife cam
9	787050005	Adjusting shaft knob	34	787032001	Upper knife rod
10	000111201	H. socket screw 4 x 4	35	787012005	Link pin
11	787047009	L. knife adjusting shaft	36	000001609	Snap ring E-5
12	000002507	Snap ring E-4	37	787635000	U. knife waving arm unit
13	000070300	Washer	38	784607---	U. knife knob unit
14	000001207	Snap ring E-2.5	39	784044007	Upper knife knob
15	787046008	Adjusting shaft base	40	000003601	Spring pin 2 x 14
16	000081005	Set screw 4 x 8	41	784043006	Upper knife spring
17	810220003	Set screw 4 x 6.5	42	784042005	Upper knife bracket
18	787048000	Adjusting shaft spring	43	784041004	Upper knife guide
19	787044006	Position set plate	44	787033002	U. knife waving arm
20	787164003	L. knife base spacer	45	784045020	Upper knife
21	787049001	Nut	46	624303008	H. socket bolt 4 x 6
22	787207009	Needle guard base	47	787022008	U. knife waving shaft
23	787206008	Fixed needle guard	48	000002909	Snap ring E-7
24	787610009	Lower knife base unit			
25	787034003	Lower knife base			



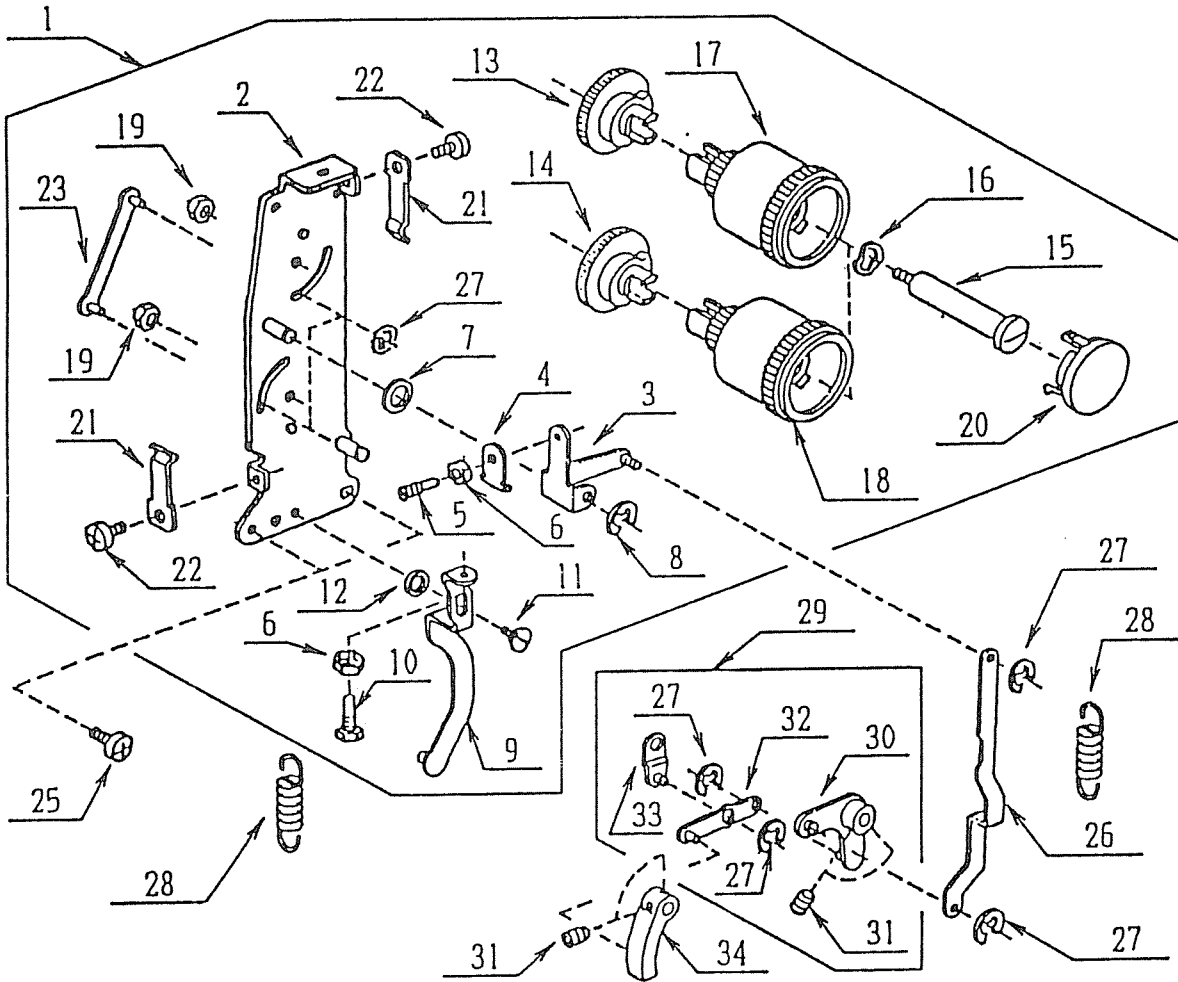
Part list for Model 534D 8/9



NO	Part NO	Part Name
1	787659011	Feed bar unit
2	787051006	Main feed bar
3	787052007	Main feed dog base
4	000080406	Set screw 3 x 10
5	787054009	Main feed waving arm
6	787055000	Feed bar pin
7	000111902	H. socket screw 3 x 4
8	787211006	Sub feed bar
9	787057002	Sub feed dog base
10	787212007	Sub feed waving arm
11	787059004	Sub feed bar link pin
12	000111201	H. socket screw 4 x 4
13	787305008	Fed bar base
14	787306009	Feed waving arm shaft
15	787065003	Feed bar link
16	787066004	Feed link
17	787068006	Feed link pin
18	787210005	Sliding block
19	787071002	Set plate
20	787189004	Set screw 2.6 x 5
21	787053008	Main feed dog
22	785111102	Sub feed dog
23	000066705	Set screw 3 x 8
24	000101817	Set screw 4 x 16
25	787072003	Main feed cam

NO	Part No	Part Name
26	787073004	Sub feed cam
27	000070506	Washer
28	000122803	Guide pin 3 x 8-LC

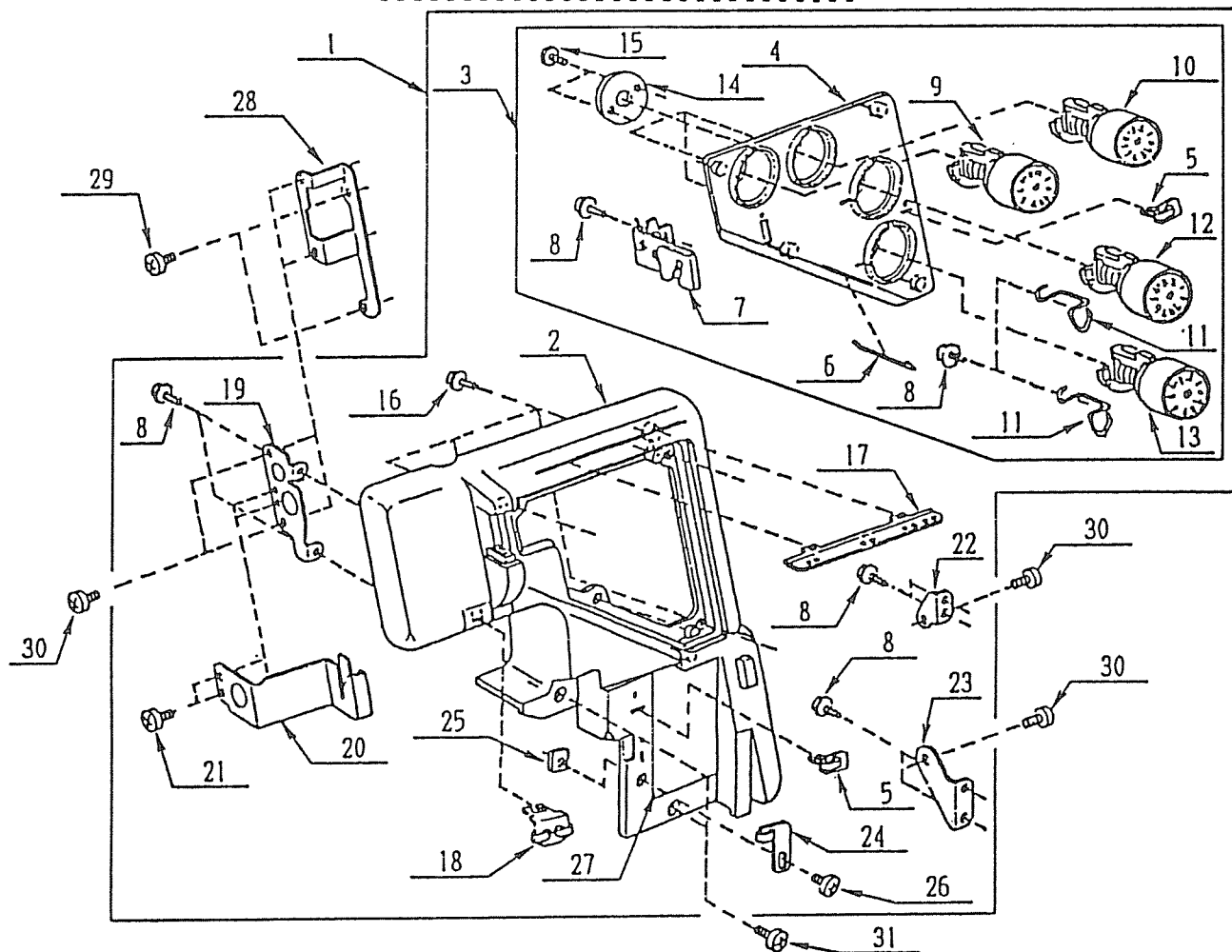
Part\_list\_for\_Model\_534D\_9/9



NO	Part NO	Part Name
1	787672009	Feed adjuster unit
2	787357005	Set plate C
3	787089003	Feed adjuster arm
4	785156006	Set plate
5	652056000	Adjustable screw
6	000160102	Adjustable nut
7	000036500	Washer
8	000001609	Snap ring E-5
9	787264004	Differential rod
10	785224006	Adjustable screw
11	785286006	Hinge screw
12	785222004	Set plate
13	787091008	S. length adj. cam
14	787269009	Dif. adjustable cam
15	785218007	Dial shaft
16	000116206	Spring washer
17	787261702	S. length dial
18	787261805	Differential dial
19	000061205	Nut
20	787262301	Dial cap
21	787263003	Spring
22	000081119	Set screw 4 x 6
23	787094001	Link
24	000014306	Snap ring CS-3
25	000081005	Set screw 4 x 8

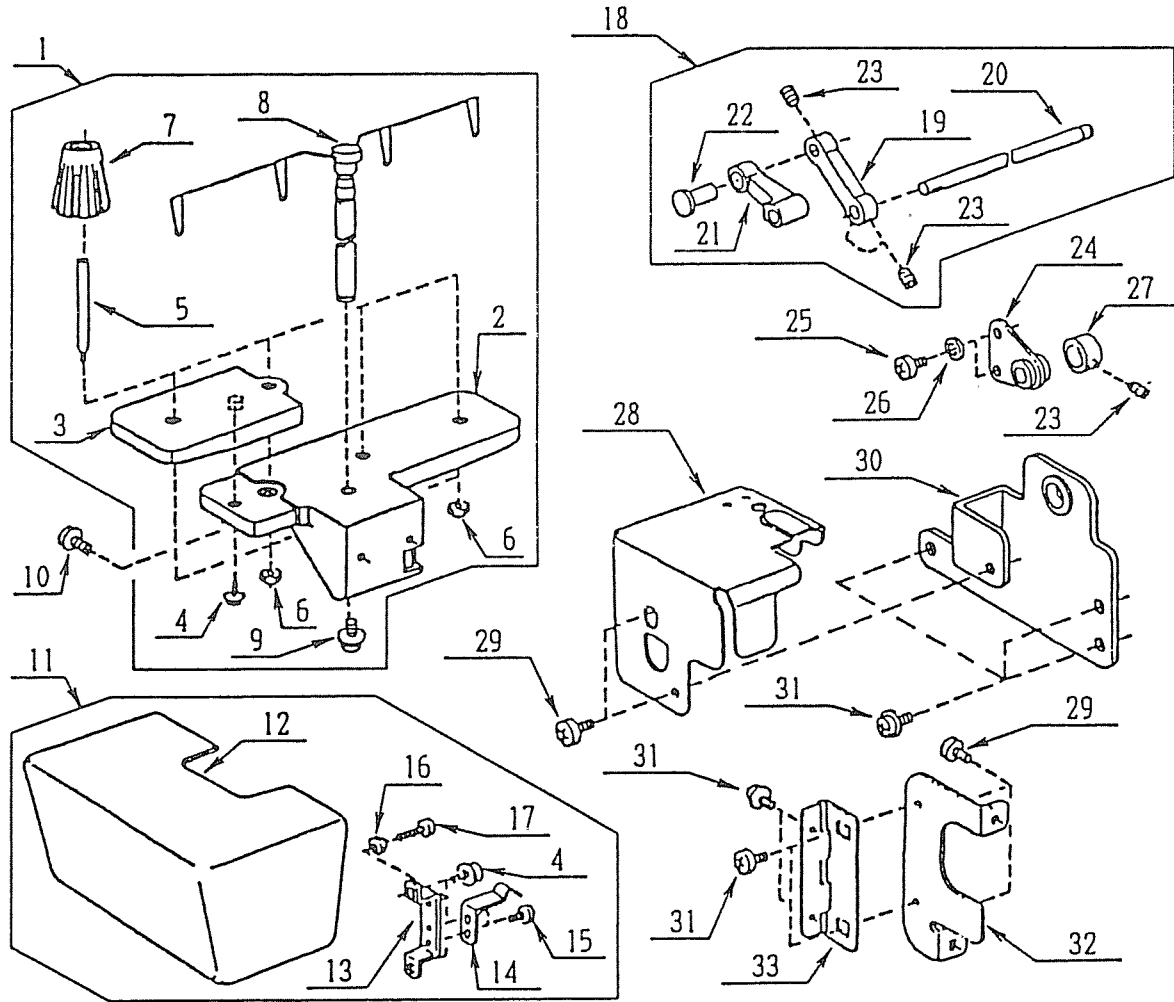
NO	Part No	Part Name
26	787102003	Feed rod
27	000002105	Snap ring CS-3
28	787259006	Spring
29	787657008	M. feed con. arm unit
30	787267007	M. feed con. arm
31	000111201	H. socket screw 4 x 4
32	787266006	Feed con. plate
33	787265005	Dif. transfer arm
34	787268008	Sub feed con. arm

Part list for Model 534 1/9



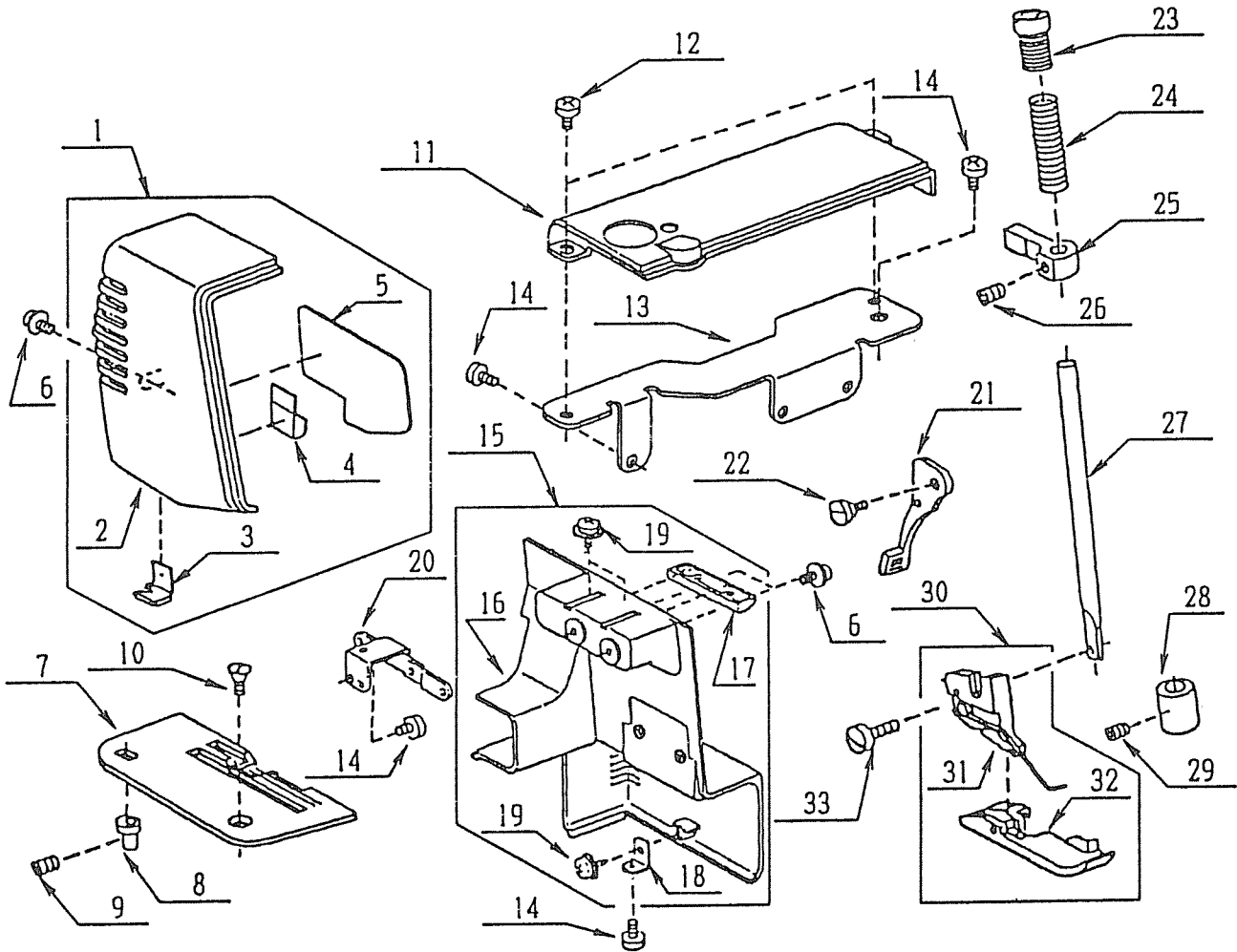
NO	Part NO	Part Name	NO	Part No	Part Name
1	787673103	Front cover unit	22	787366007	Cover set plate 2
	787673309	Front cover unit	23	787367008	Cover set plate 3
2	787358305	Front cover	24	784106008	L. looper thread guide 1
3	787674104	Thread tension panel unit	25	630005006	Nut
	787674301	Thread tension panel unit	26	000066727	Set screw 3 x 8
4	787359409	Thread tension panel	27	787368009	Sticker
	787359801	Thread tension panel	28	787369000	Cover set plate
5	787131001	U. looper threadguide	29	000081005	Set screw 4 x 8
6	787361002	Looper thread base	30	000101404	Set plate 4 x 6
7	785607007	Check spring	31	000103417	Set screw 4 x 8 Cr
8	000149301	Tapping screw 3 x 8			
9	787542102	L. needle tension unit			
10	787543103	R. needle tension unit			
11	785231006	Thread guide			
12	787544104	U. looper tension unit			
13	787545105	L. looper tension unit			
14	785243001	Thread tension base plate			
15	000068006	Set screw 3 x 8			
16	000149002	Tapping screw 3 x 10			
17	787363004	Thread guide plate			
18	785015002	Needle thread guide 2			
19	787364005	Cover set plate 1			
20	787365006	Take-Up lever cover			
21	000101105	Set screw 3 x 4			

Part list for Model 534...2/9.



NO	Part NO	Part Name	NO	Part No	Part Name
1	785681108	Spool pin stand unit	26	000071013	Washer 4
2	785268105	Spool pin stand	27	650136009	Ring
3	785269106	Sub spool pin stand	28	787083007	Feed bar cover
4	000149301	Tapping screw 3 x 8B	29	000081005	Set screw 4 x 8
5	784222012	Spool pin	30	787380007	Main shaft set plate C3
6	000061205	Nut 4-3-7	31	000115618	TP screw 4 x 8
7	784223105	Spool holder	32	787165004	Side cover hinge base
8	785692102	Thread guide stand	33	787507002	Side cover hinge unit
9	000115700	TP screw 4 x 10			
10	000114802	TP screw 4 x 12			
11	787654005	Side cover unit			
12	787303006	Side cover			
13	787162001	Side cover spring base			
14	787163002	Side cover spring			
15	000103808	Set screw 3 x 5			
16	000160009	Adjustable nut 3			
17	000104902	Set screw 3 x 16			
18	787637002	Main feed con. arm 2 unit			
19	787197005	Main feed con. arm 2			
20	787198006	Main feed con. shaft			
21	787067005	Feed link			
22	787195003	Fed connecting pin			
23	000111201	H. socket screw 4 x 4			
24	787077008	Connecting supporter			
25	810220003	Set screw 4 x 6.5			

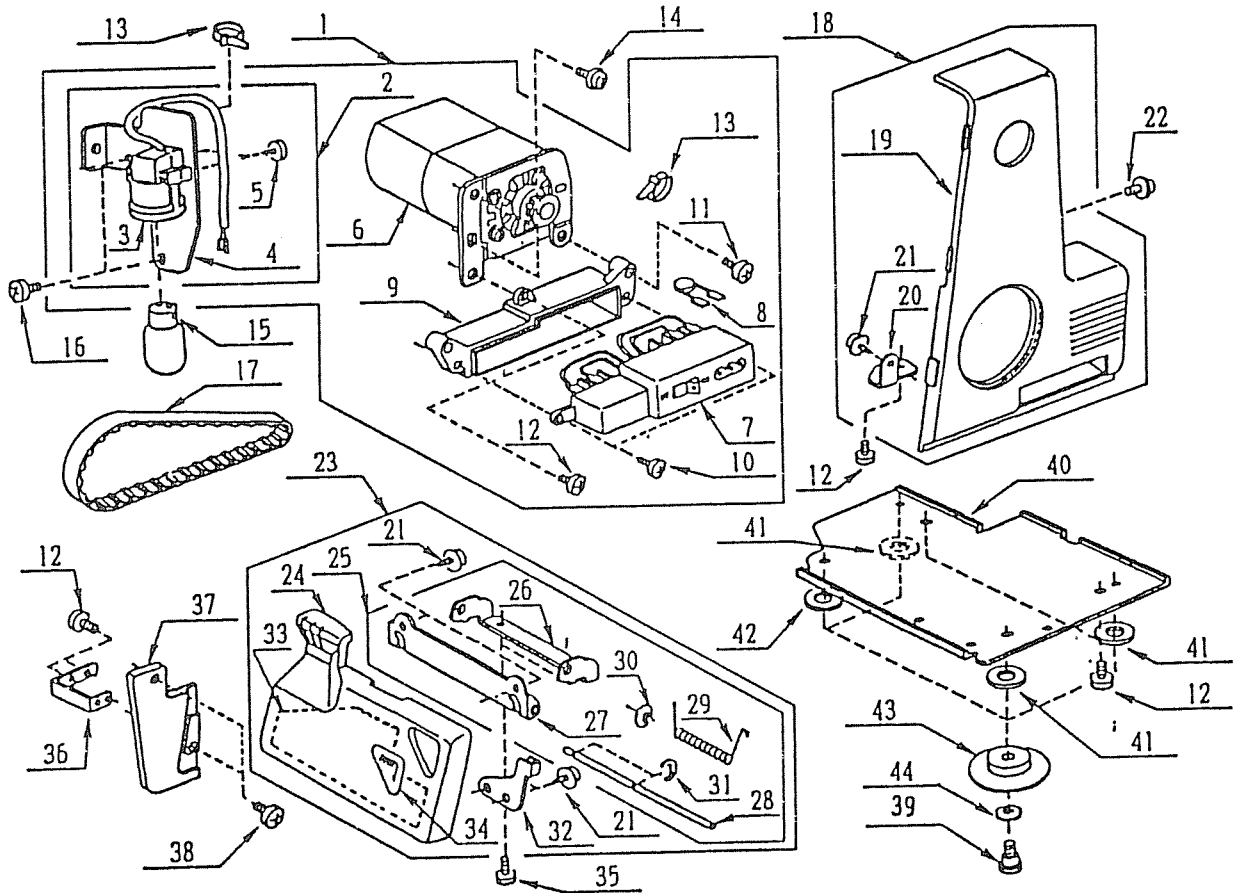
Part list for Model 534..3/9.



NO	Part NO	Part Name
1	787671008	Face plate unit
2	787352000	Face plate
3	822532008	Thread cutter unit
4	787382009	Sticker
5	787353001	Sticker
6	000115618	TP screw 4 x 8
7	787601007	Needle plate unit
8	784004005	Eccentric pin
9	000111902	H. socket screw 3 x 4
10	681009101	Plain screw
11	787371005	Top cover
12	000101404	Set screw 4 x 6
13	787370004	Handle set plate
14	000081005	Set screw 4 x 8
15	787648006	Rear cover unit
16	787293002	Rear cover
17	787173005	Finger base plate
18	787174006	Rear cover set plate
19	000149301	Tapping screw 3 x 8B
20	787294003	Rear cover set plate
21	650032015	Presser lifter
22	810431009	Hinge screw
23	785204000	Pressure adjusting screw
24	787020006	Presser bar spring
25	724118007	Presser bar bracket

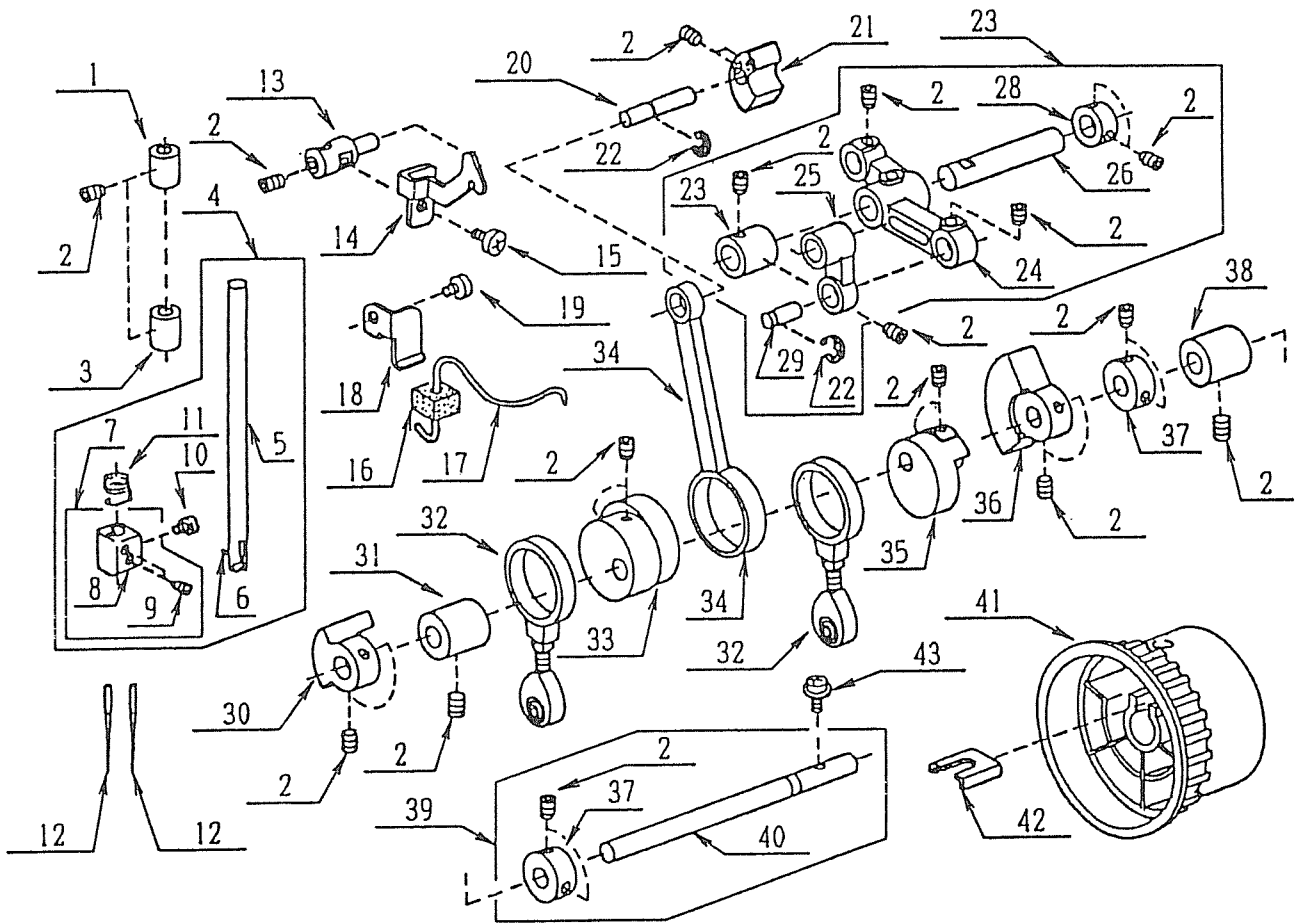
NO	Part No	Part Name
26	000111304	H. socket screw 5 x 5
27	787019002	Presser bar
28	787214009	Presser bar bracket
29	000111201	H. socket screw 4 x 4
30	787540007	Presser foot unit
31	787541008	Presser holder unit
32	785501103	Foot unit
33	763048006	Thumb screw

Part list for Model 534 4/9



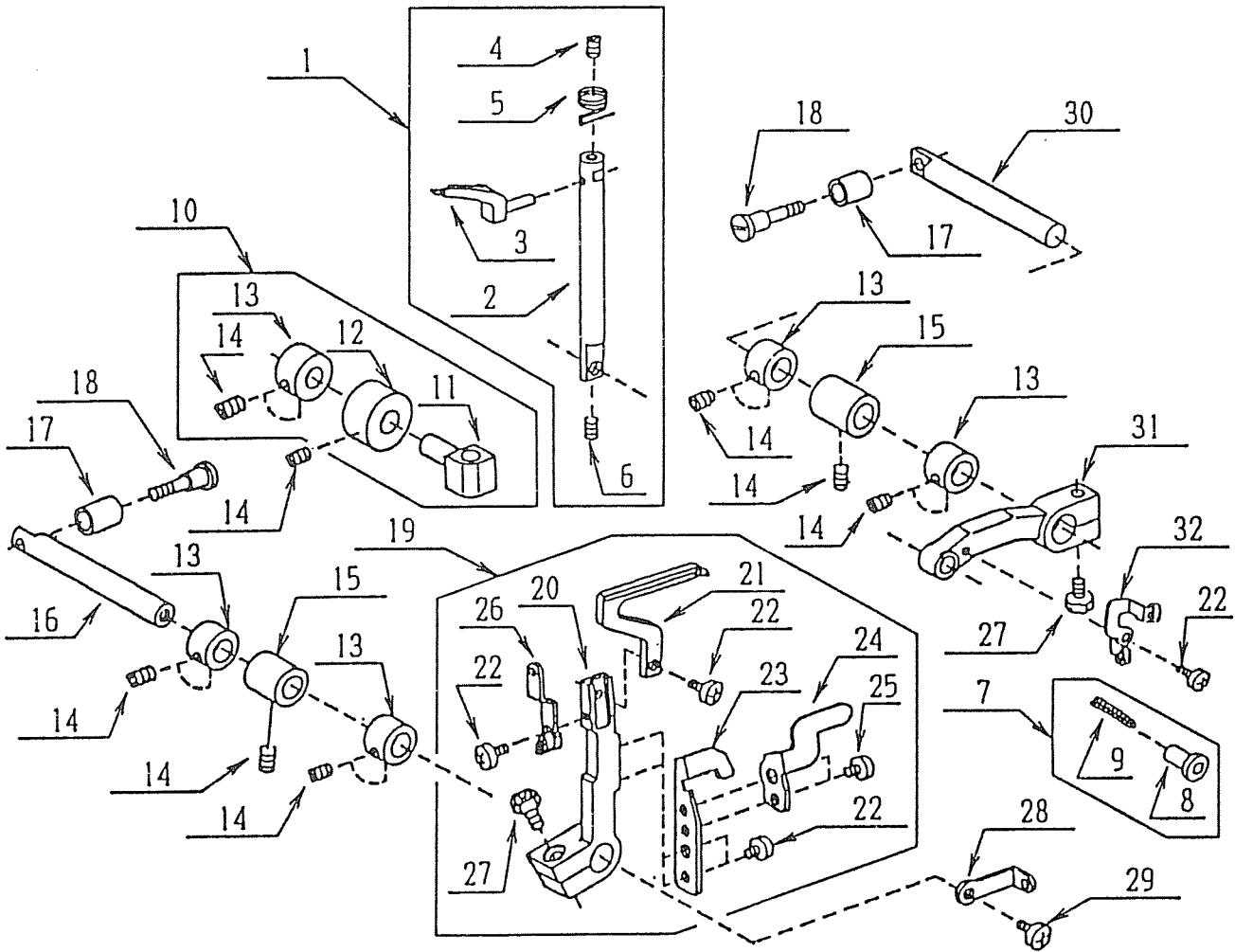
NO	Part NO	Part Name	NO	Part No	Part Name
1	787677004	Elec. com. unit 240V	18	787678108	Belt cover unit
	787677107	Elec. com. unit 220V	19	787379405	Belt cover
	787677200	Elec. com. unit 230V	20	787158004	Belt cover set plate
	787680000	Elec. com. unit 120V(UL)	21	000149301	Tapping screw 3 x 8B
	787681001	Elec. com. unit 120V(CSA)	22	000115618	TP screw 4 x 8
2	787631006	Lamp socket com. unit	23	787675057	Looper cover unit
3	787502007	Lamp socket unit		787675105	Looper cover unit
	787510008	Lamp socket unit 120V(UL)	24	787372257	Looper cover
	787512000	Lamp socket unit 120V(CSA)		787372305	Looper cover
4	787026002	Lamp socket set plate	25	787676003	L. cover hinge unit
	787178000	Lamp socket set plate	26	787373007	L. cover supporter
5	000161000	Tapping screw 3 x 9P	27	787374008	Looper cover hinge
6	M-2040	Motor unit 240V	28	787121010	Looper cover shaft
	M-2042	Motor unit 230V	29	784122000	Looper cover spring
	M-2045	Motor unit 220V	30	000071013	Washer 4
	M-1049B	Motor unit 120V(UL)	31	000002105	Snap ring E-4
	M-1031B	Motor unit 120V(CSA)	32	787375009	Looper cover stopper
7	784508107	Plug con. rec. unit	33	787376000	Sticker
	787508003	Plug con. rec. unit (UL)	34	787378105	Sticker
	787511206	Plug con. rec. unit (CSA)		787378301	Sticker
8	784509005	Condenser unit	35	000115205	TP screw 4 x 6
9	784128028	Plug con. receptacle cover	36	787153009	L. cover supporter
10	000121905	Tapping screw 4 x 12B	37	787377001	Looper cover guide
11	000104108	Set screw 4 x 20	38	000094104	Set screw 3 x 8
12	000081005	Set screw 4 x 8	39	784169009	Hinge screw
13	000053008	Binder	40	787156002	Base plate
14	000115504	TP screw 5 x 10	41	785260004	Washer
15	000009009	Lamp 240V 15W BA15D	42	787204006	Washer 2
	000009803	Lamp 120V 15W	43	784135006	Rubber cushion
16	000101404	Set screw 4 x 6	44	000070300	Washer
17	784124002	Timing belt			

Part list for Model 534..5/9.



NO	Part NO	Part Name	NO	Part No	Part Name
1	784027004	Needle bar upper bushing	26	787010003	Needle bar crank shaft
2	000111201	H. socket screw 4 x 4	27	787011004	Set plate
3	784028005	Needle bar lower bushing	28	624245001	Ring
4	787606002	Needle bar unit	29	784022009	Link pin
5	787015008	Needle bar	30	787177009	Left balance weight
6	000022307	Spring pin 1.6 x 8	31	673062004	Upper shaft rear bushing
7	785557001	Needle clamp screw unit	32	784602009	Looper cam ring unit
8	785004020	Needle clamp	33	787007007	Needle bar cam
9	785008024	Needle clamp screw	34	784011005	Needle bar crank rod
10	785026017	Needle clamp set screw	35	787004004	Upper looper cam
11	785009003	Needle bar thread guide	36	787176008	Right balance weight
12	784157015	Needle HA-1 SP-14	37	619006002	Upper shaft ring
13	784024001	Needle bar bracket	38	784009000	Upper shaft rear bushing
14	787348003	Take up lever	39	787602008	Upper shaft unit
15	000078319	Set screw 3 x 6	40	787003003	Upper shaft
16	787027003	Felt 1	41	787175007	Balance wheel
17	763033020	Strings	42	787114008	Balance wheel set plate
18	787029005	Felt set plate	43	000114802	TP screw 4 x 12
19	000101404	Set screw 4 x 6			
20	787346001	Needle bar balancer pin			
21	787347002	Needle bar balancer			
22	000001609	Snap ring E-5			
23	787604000	Needle bar crank unit			
24	787021007	Needle bar crank			
25	784021008	Needle bar link			

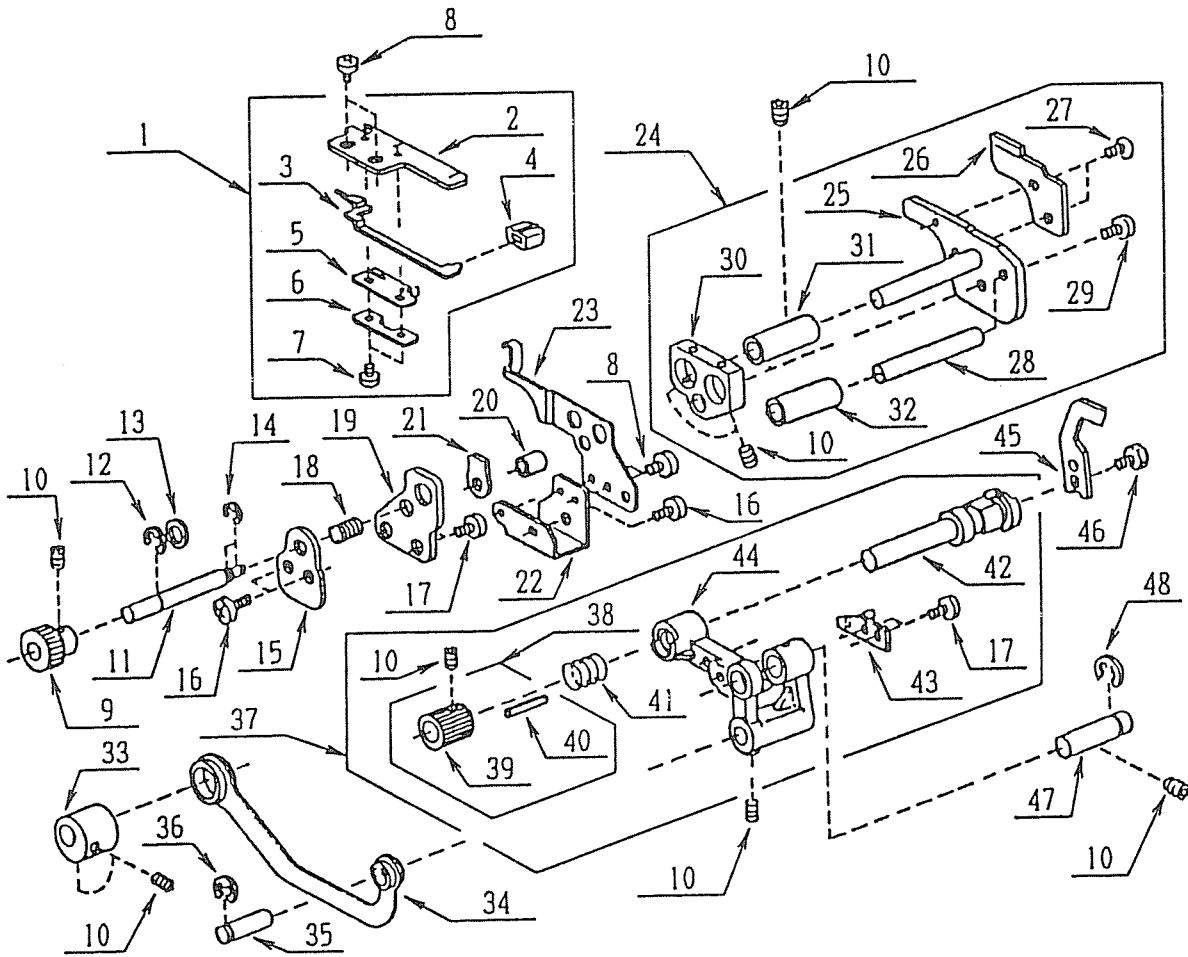
Part list for Model 534 6/9



NO	Part NO	Part Name	NO	Part No	Part Name
1	787618007	Upper looper shaft unit	26	784085206	L. looper thread guide 3
2	787111005	Upper looper shaft	27	000138008	H. socket screw 4 x 16
3	784076008	Upper looper	28	785010203	L. looper thread guide
4	000112501	H. socket screw 4 x 4	29	000103004	Set screw 3.5 x 6
5	784077009	U. looper thread guide 3	30	787105006	U. looper crank shaft
6	000177205	H. socket screw 3 x 6	31	787109000	U. looper waving arm
7	787632007	Upper looper pin unit	32	787110004	Looper thread guide L2
8	787115009	Upper looper pin			
9	787192000	Strings			
10	787619008	U. looper shaft guide unit,			
11	787112006	U. looper shaft guide			
12	787113007	Bushing			
13	787106007	Ring			
14	000111201	H. socket screw 4 x 4			
15	787104005	Bushing			
16	787116000	L. looper crank shaft			
17	787107008	Crank spacer			
18	787108009	Crank set screw			
19	785610508	Lower looper unit			
20	785024004	L. looper base 2			
21	784083008	Lower looper			
22	000078320	Set screw 3 x 6			
23	787383000	Rear needle guard			
24	785023003	Front needle guard			
25	000099006	H. socket screw 3 x 4			

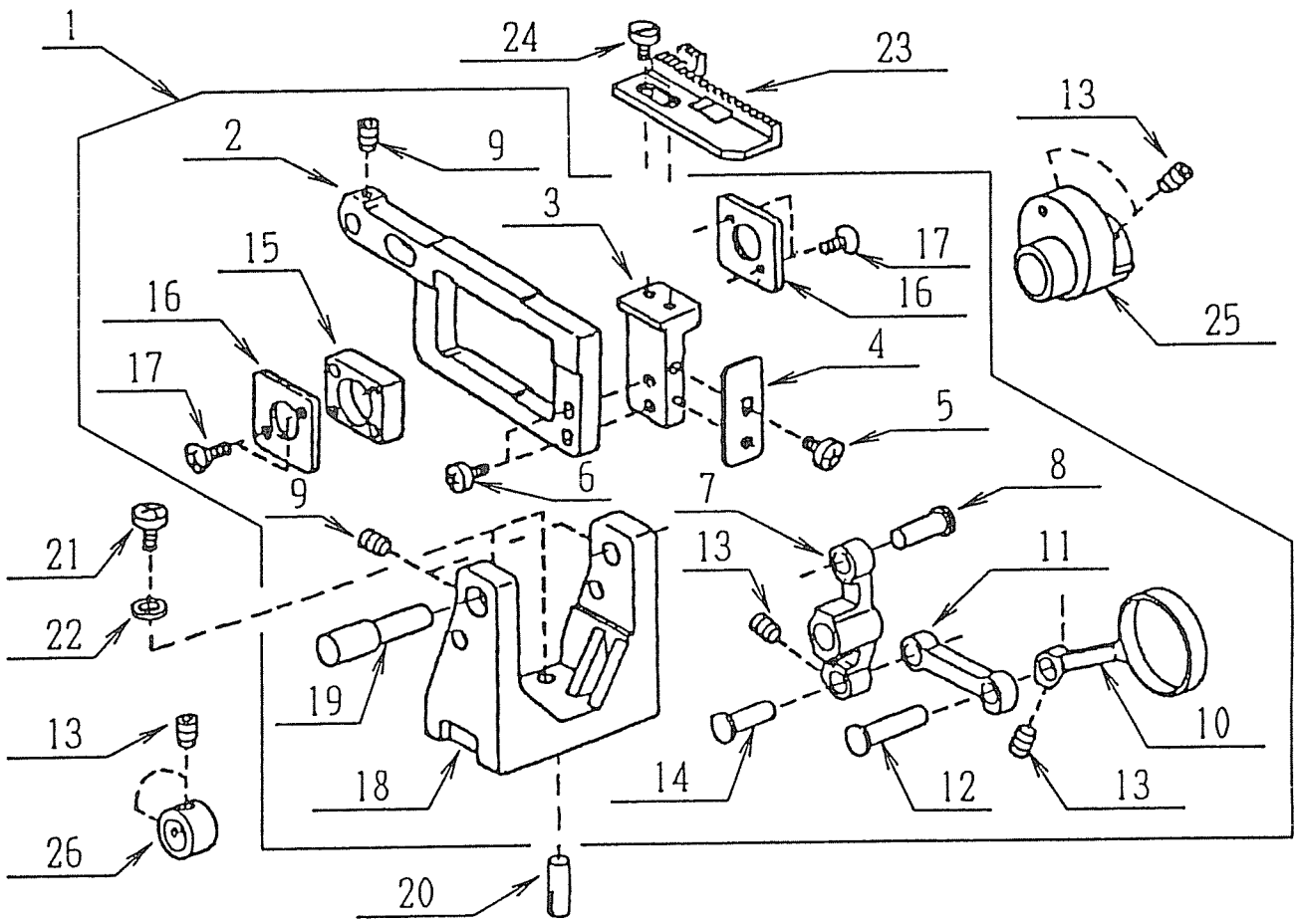


Part list for Model 534-7/9



NO	Part NO	Part Name	NO	Part No	Part Name
1	787611000	Finger unit	26	787035004	Lower knife
2	787039008	Finger set plate	27	000102221	Set screw 4 x 6
3	787040002	Finger	28	787036005	Lower knife shaft
4	787041003	Finger knob	29	000066727	Set screw 3 x 8
5	787042004	Finger spring	30	787037006	Finger base
6	787043005	Spring set plate	31	787038007	Finger base shaft
7	000098108	Set screw 2 x 3	32	787202004	Finger base shaft 2
8	000101105	Set screw 3 x 4	33	784038008	Knife cam
9	787050005	Adjusting shaft knob	34	787032001	Upper knife rod
10	000111201	H. socket screw 4 x 4	35	787012005	Link pin
11	787047009	L. knife adjusting shaft	36	000001609	Snap ring E-5
12	000002507	Snap ring E-4	37	787635000	U. knife waving arm unit
13	000070300	Washer	38	784607---	U. knife knob unit
14	000001207	Snap ring E-2.5	39	784044007	Upper knife knob
15	787046008	Adjusting shaft base	40	000003601	Spring pin 2 x 14
16	000081005	Set screw 4 x 8	41	784043006	Upper knife spring
17	810220003	Set screw 4 x 6.5	42	784042005	Upper knife bracket
18	787048000	Adjusting shaft spring	43	784041004	Upper knife guide
19	787044006	Position set plate	44	787033002	U. knife waving arm
20	787164003	L. knife base spacer	45	784045020	Upper knife
21	787049001	Nut	46	624303008	H. socket bolt 4 x 6
22	787207009	Needle guard base	47	787022008	U. knife waving shaft
23	787206008	Fixed needle guard	48	000002909	Snap ring E-7
24	787610009	Lower knife base unit			
25	787034003	Lower knife base			

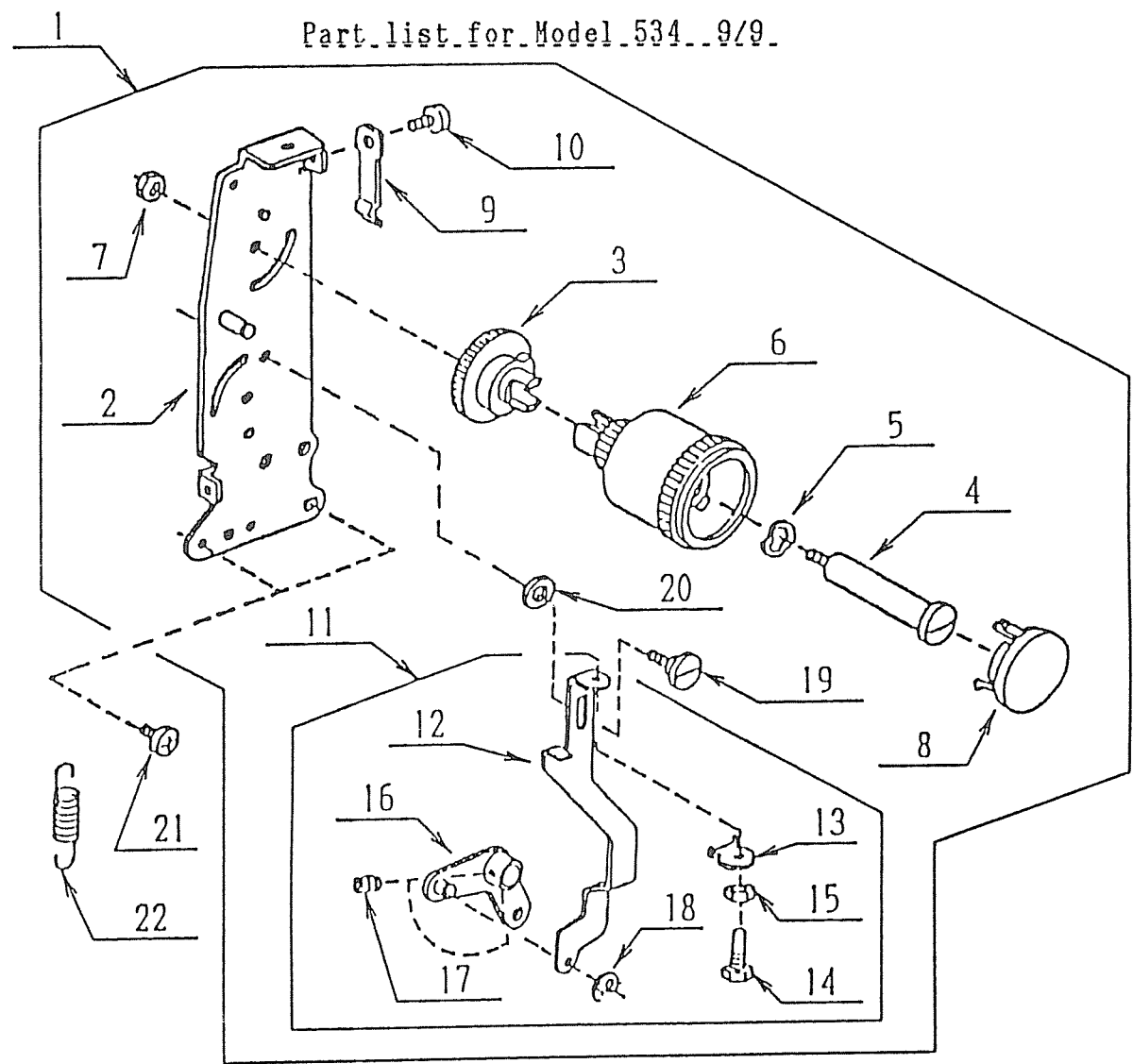
Part list for Model 534..8/9.



NO	Part NO	Part Name
1	787665009	Feed bar unit
2	787051006	Main feed bar
3	787320009	Main feed dog base
4	787321000	Feed bar guide
5	000101116	Set screw 3 x 4
6	000080406	Set screw 3 x 10
7	787054009	Main feed waving arm
8	787055000	Feed bar pin
9	000111902	H. socket screw 3 x 4
10	787065003	Feed bar link
11	787066004	Feed link
12	787068006	Feed link pin
13	000111201	H. socket screw 4 x 4
14	787059004	Sub feed link pin 6 x 13.5
15	787210005	Sliding block
16	787071002	Set plate
17	787189004	Set screw 2.6 x 5
18	787305008	Feed bar base
19	787333005	Feed waving arm shaft
20	000122803	Guide pin 3 x 8-LC
21	000101817	Set screw 4 x 16
22	000070506	Washer
23	784185001	Feed dog
24	784186002	Set screw
25	787324003	Feed cam

NO	Part No	Part Name
26	619006002	Upper shaft ring

Part list for Model 534 9/9



NO	Part NO	Part Name	NO	Part No	Part Name
1	787679006	Feed adjuster unit			
2	787318008	Set plate C3			
3	787091008	Feed adjuster cam			
4	785218007	Dial shaft			
5	000116206	Spring washer			
6	787261702	S. length dial			
7	000061205	Nut			
8	787262301	S. length dial cap			
9	787263003	Spring			
10	000081119	Set screw 4 x 6			
11	787667001	Feed rod unit			
12	787327006	Feed rod			
13	785276003	Base plate			
14	785224006	Adjustable screw			
15	000160102	Adjustable nut			
16	787332004	Feed con. arm 1			
17	000111201	II. socket screw 4 x 4			
18	000002105	Snap ring E-3			
19	785286006	Hinge screw			
20	785222004	Set plate			
21	000081005	Set screw 4 x 8			
22	785146003	Feed spring			