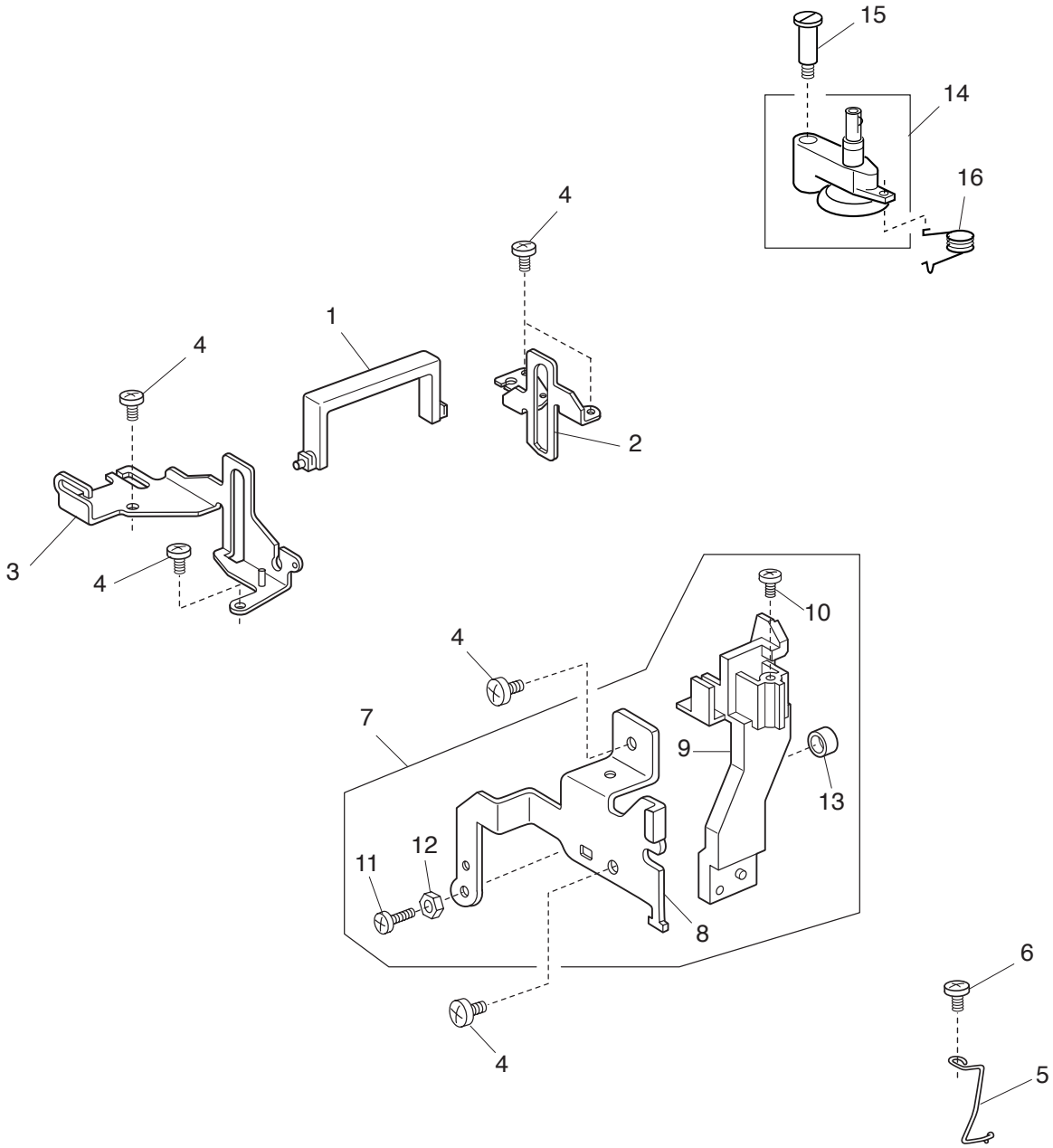


PARTS LIST

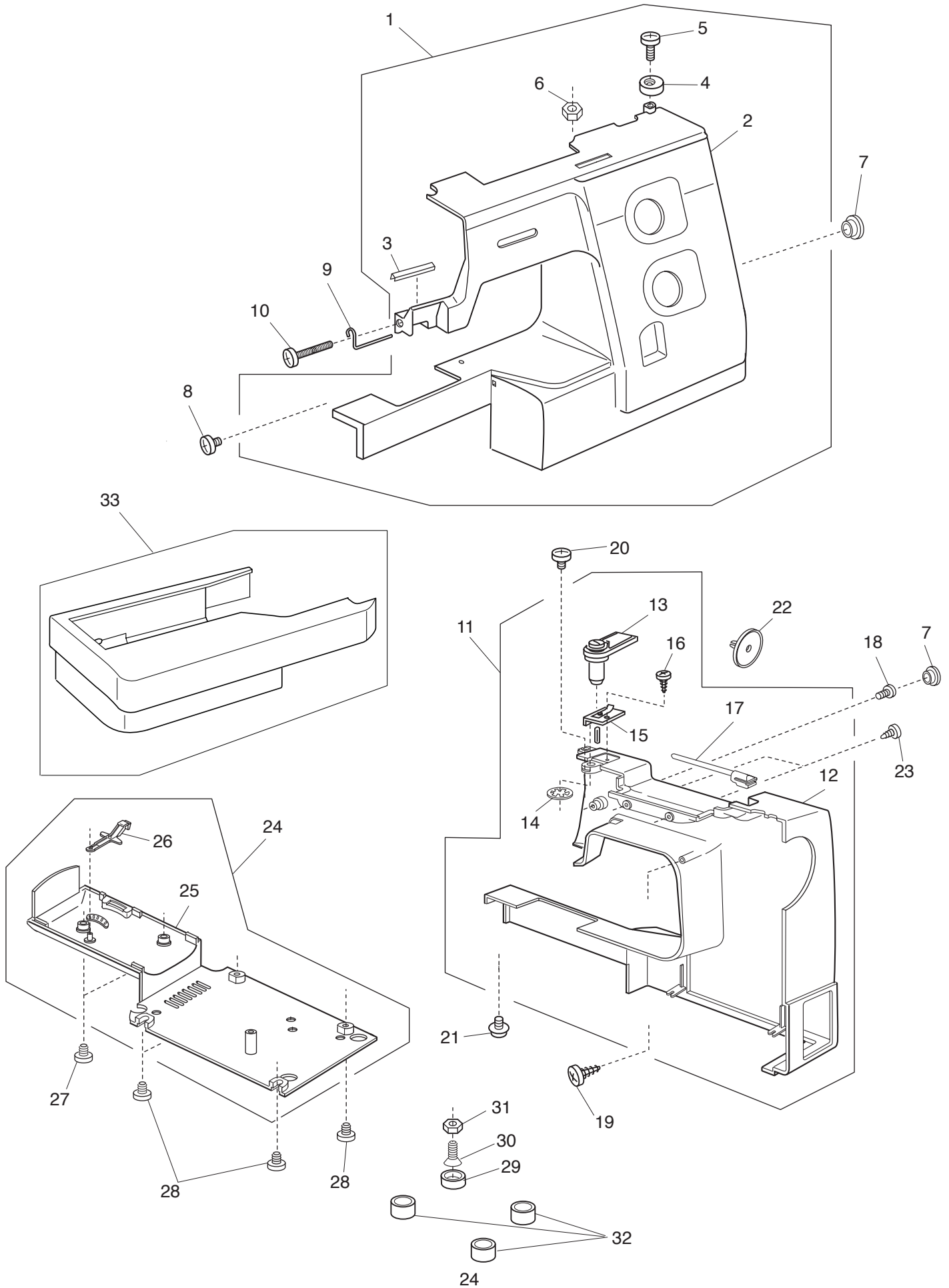
PARTS LIST



PARTS LIST

KEY NO.	PARTS NO.	DESCRIPTION
1	751100000	Carrying handle
2	507150002	Carrying handle supporter (right)
3	751077029	Carrying handle supporter (left)
4	000081005	Setscrew 4x8
5	652137006	Arm thread guide (2)
6	000101404	Setscrew 4x6
7	507605111	Face plate set plate (unit)
8	507161006	Face plate set plate
9	751375008	Threader shaft guide (upper)
10	000101404	Setscrew 4X6
11	000105419	Setscrew 4x20
12	000160102	Adjustable lock nut 4
13	685042005	Supporter stopper
14	652506000	Bobbin winder (unit)
15	652093009	Setscrew
16	659034003	Spring

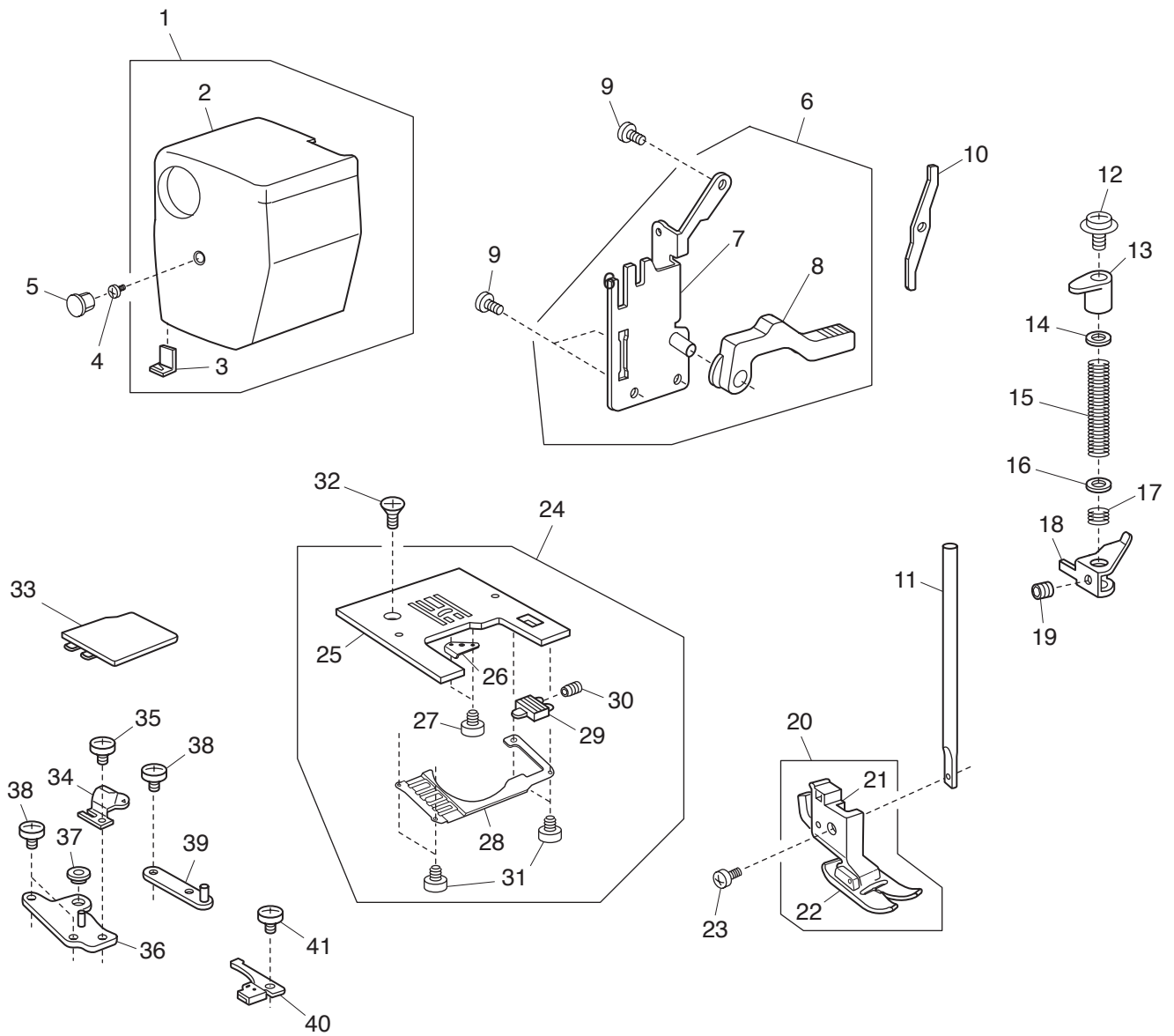
PARTS LIST



PARTS LIST

KEY NO.	PARTS NO.	DESCRIPTION
1	507660608	Front cover (unit)
2	507177164	Front cover
3	753125007	Thread guard
4	735016307	Bobbin winder stopper
5	000103107	Setscrew 4x14
6	000061205	Hexagonal nut 4-3-7
7	653006101	Cap
8	000101404	Setscrew 4x6
9	753126008	Arm thread guide
10	000092917	Setscrew 3.5x27
11	507631183	Rear cover (unit)
12	507102272	Rear cover
13	650503702	Thread guide (unit)
14	000014409	Snap ring CS-8
15	827503005	Top cover thread guide (unit)
16	000162001	Setscrew 2.6x5
17	659067005	Spool pin
18	000101817	Setscrew 4x16
19	000121905	Setscrew 4x12
20	810220003	Setscrew
21	000115205	Setscrew TP 4x6
22	822020503	Spool holder (large)
23	000161310	Setscrew 3x12
24	507601003	Base cover (unit)
25	507001007	Base cover
26	753005000	Drop feed lever
27	000101703	Setscrew 4x12
28	000103509	Setscrew 4x10
29	735002001	Rubber foot
30	000097808	Flat screw 5x25
31	000061412	Hexagonal nut 5-3-8
32	647009002	Rubber foot base
33	507637606	Extension table (unit)

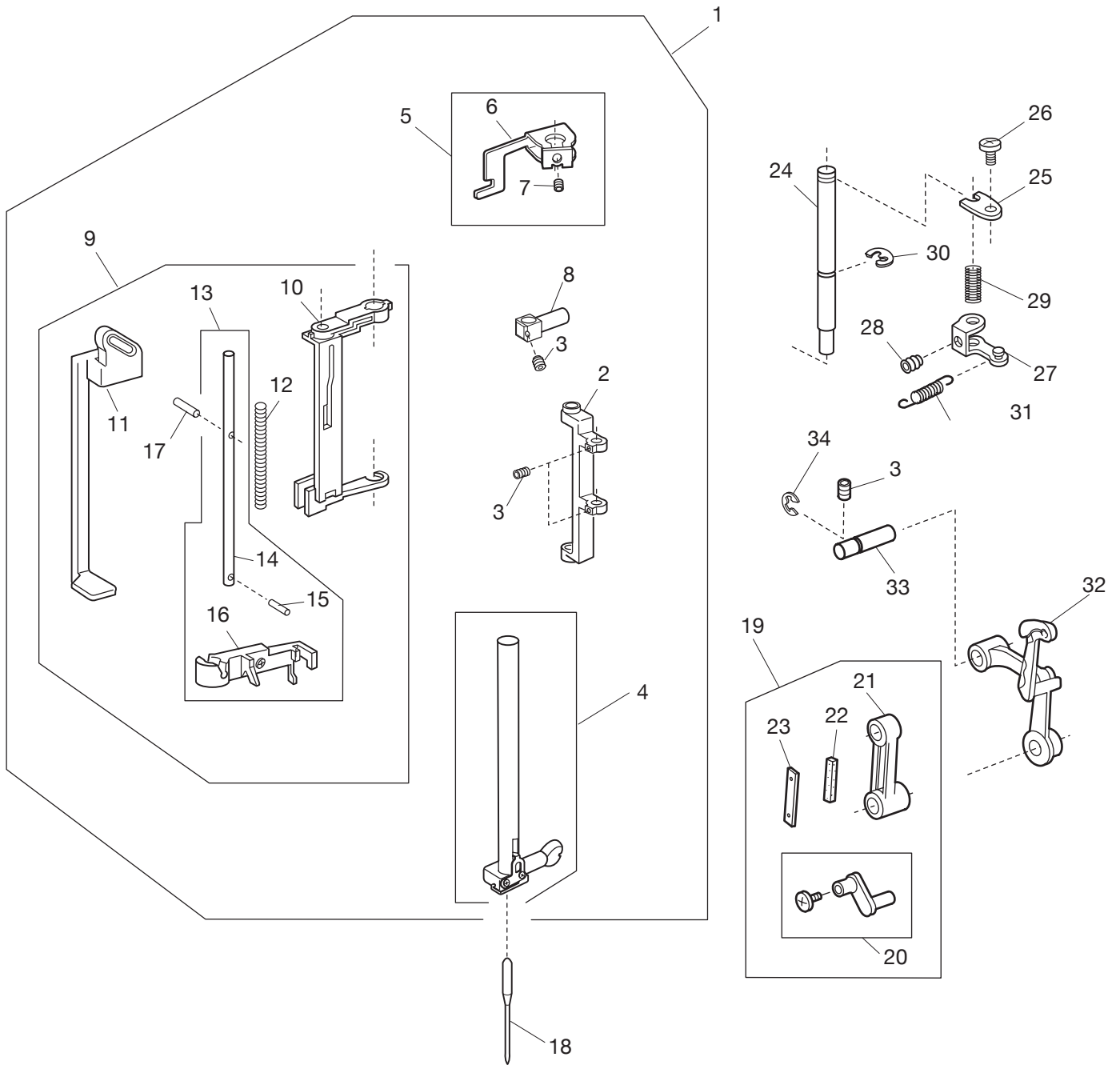
PARTS LIST



PARTS LIST

KEY NO.	PARTS NO.	DESCRIPTION
1	507632852	Face plate (unit)
2	507105585	Face plate
3	840602006	Thread cutter (unit)
4	000101703	Setscrew 4x12
5	653006101	Cap
6	507618106	Presser bar bracket (unit)
7	507156008	Presser bar bracket
8	735029004	Presser foot lifter
9	000081005	Setscrew 4x8
10	751142004	Tension release lever
11	827021004	Presser bar
12	000193001	Setscrew TP 4x6
13	652104004	Presser bar bushing
14	652201002	Washer
15	826006000	Presser bar spring
16	826055004	Washer
17	826056005	Presser foot support spring
18	735028003	Presser bar supporter
19	000111500	Hexagonal socket screw 4x8
20	660508007	Presser foot (unit)
21	660806008	Presser foot holder (unit)
22	685502019	Zigzag foot
23	660106001	Setscrew
24	751603802	Needle plate (unit)
25	653179405	Needle plate
26	654078004	Bobbin holder set plate
27	820373003	Setscrew 2x3
28	751374007	Hook cover plate holder
29	825016000	Hook cover release button
30	825017001	Hook cover release button spring
31	820374004	Setscrew 2x2.3
32	820390109	Setscrew
33	750036012	Hook cover plate
34	822011109	Reverse stopper
35	000103808	Setscrew 3x5
36	751008007	Needle plate adjusting plate (left)
37	822314002	Nut
38	000066705	Setscrew 3x8
39	751009008	Needle plate adjusting plate (right)
40	751502109	Stopper (unit)
41	810220003	Setscrew

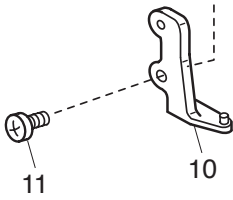
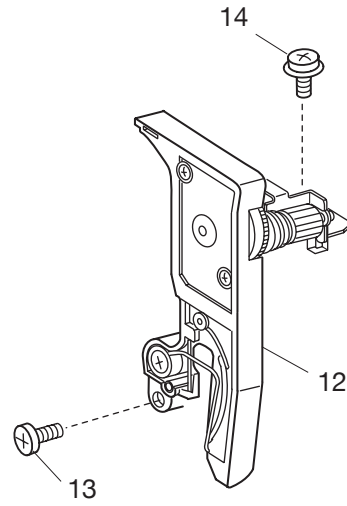
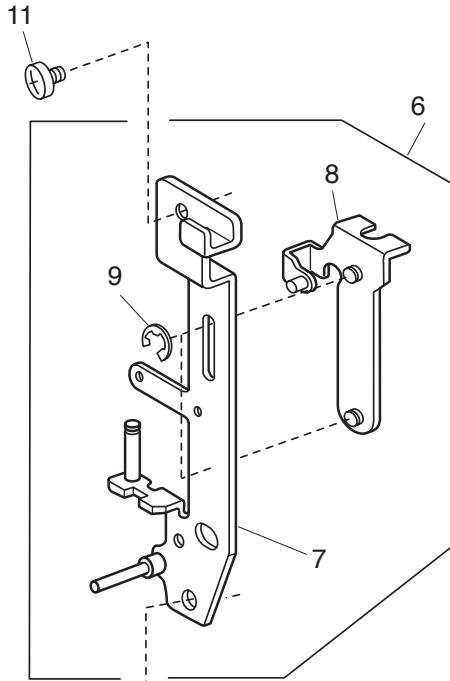
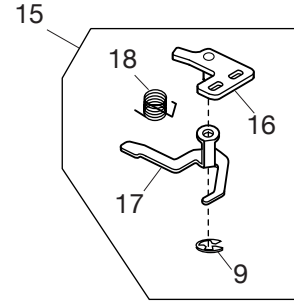
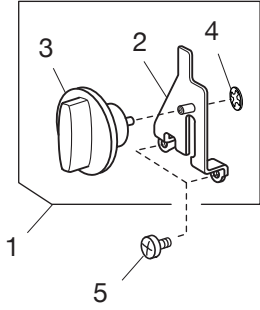
PARTS LIST



PARTS LIST

KEY NO.	PARTS NO.	DESCRIPTION
1	755627103	Needle bar supporter (unit)
2	751014006	Needle bar supporter
3	000111201	Hexagonal socket screw 4x4
4	751630015	Needle bar (unit)
5	807607019	Threader positioning setting plate (unit)
6	807018109	Threader positioning setting plate
7	000111902	Hexagonal socket screw 3x4
8	751047008	Needle bar connecting stud
9	853509002	Needle threader (unit)
10	755062001	Threader frame
11	853026000	Threader lever
12	755067006	Needle threader spring
13	755625008	Threader shaft (unit)
14	755066005	Threader shaft
15	000003508	Spring pin 2x8
16	755643002	Threader plate (unit)
17	000125105	Guide pin E-2x16-CH
18	102408089	Needle
19	846615000	Needle bar crank (unit)
20	652512009	Needle bar crank pin (unit)
21	650039001	Needle bar crank rod
22	650040005	Felt
23	650041006	Spring
24	650033005	Supporter shaft
25	650034006	Supporter shaft stopper plate
26	000101404	Setscrew 4x6
27	650035007	Zigzag width arm
28	000111108	Hexagonal socket screw 4x6
29	650036008	Spring
30	000001609	Snap ring E-5
31	507094007	Needle bar supporter spring
32	820511108	Thread take-up lever (unit)
33	650062003	Thread take-up lever shaft
34	000002806	Snap ring E-6

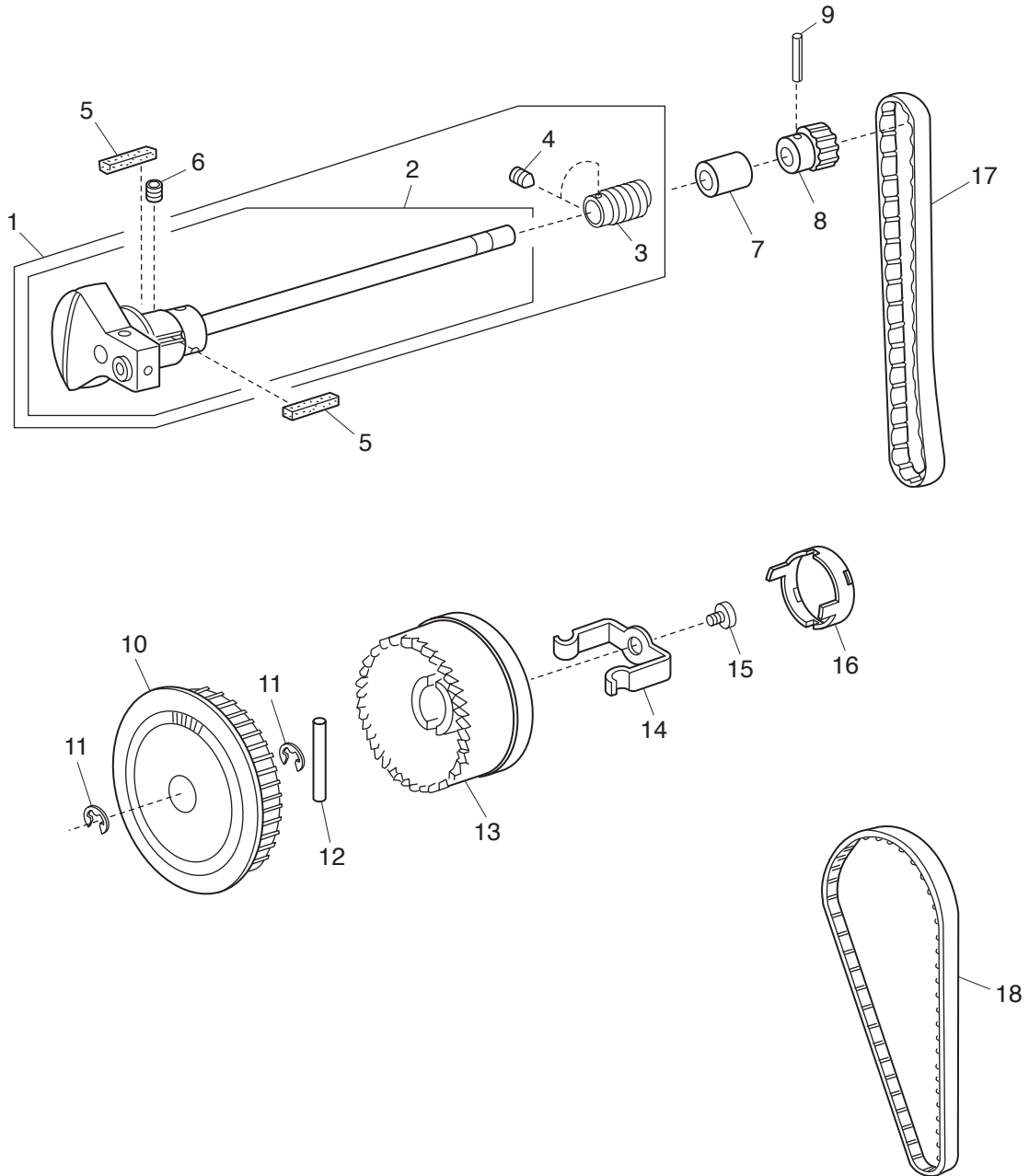
PARTS LIST



PARTS LIST

KEY NO.	PARTS NO.	DESCRIPTION
1	507607009	Presser foot pressure dial (unit)
2	501008109	Dial set plate
3	507008004	Presser foot pressure dial
4	000014007	Snap ring CS-4
5	000106203	Setscrew 3.5x4
6	507615000	Front bracket (unit)
7	507007117	Front bracket
8	501009007	Presser foot pressure adjusting plate
9	000002105	Snap ring E-3
10	755074006	Threader guide plate
11	000081005	Setscrew 4x8
12	507504809	Thread tension (unit)
13	000101703	Setscrew 4x12
14	000115205	Setscrew TP 4x6
15	507638009	Thread tension release arm (unit)
16	752055002	Thread tension release arm base
17	751215009	Thread tension release arm
18	752056003	Thread tension release spring

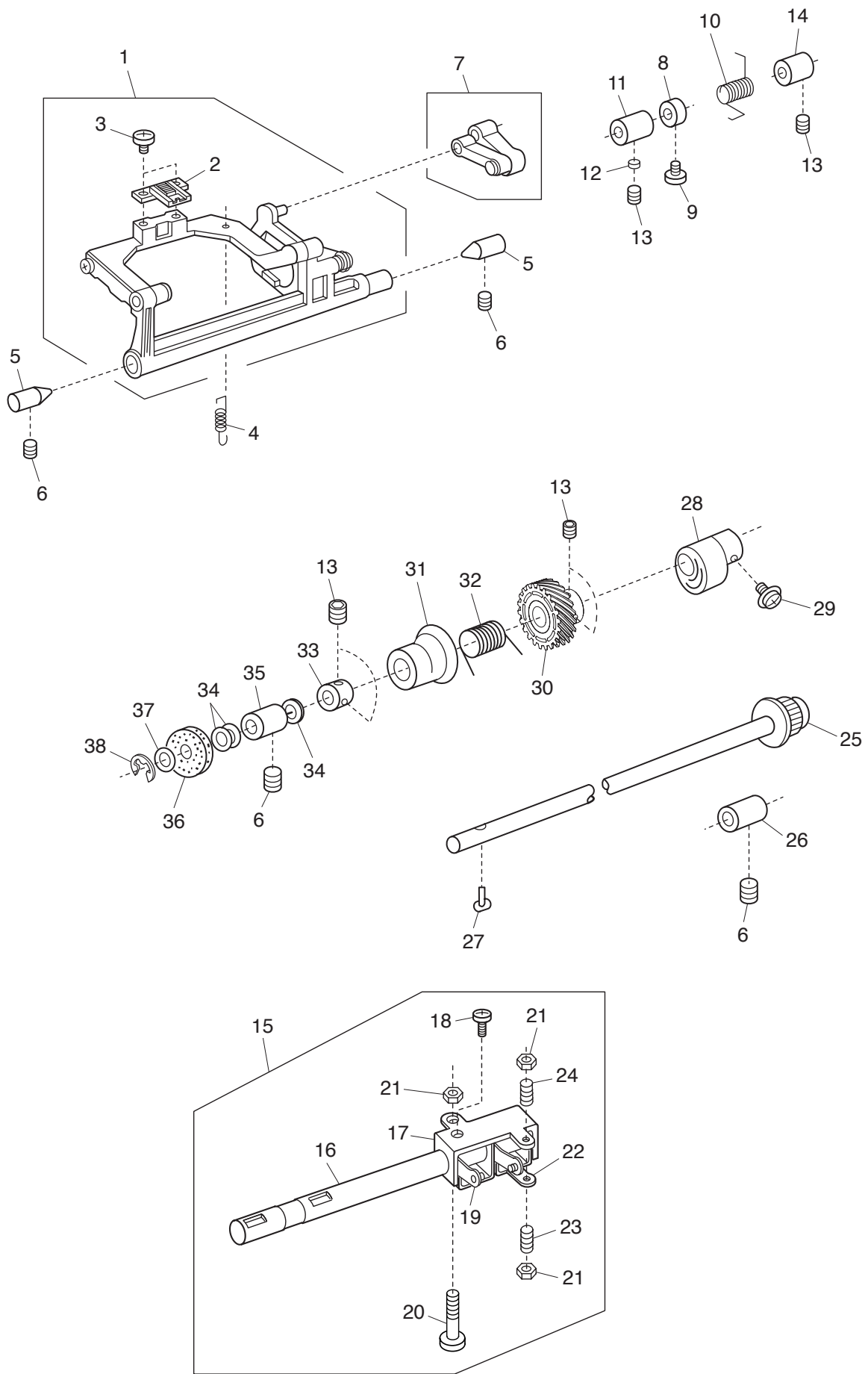
PARTS LIST



PARTS LIST

KEY NO.	PARTS NO.	DESCRIPTION
1	756607100	Upper shaft (unit)
2	756504003	Upper shaft (unit)
3	507189000	Worm
4	000111201	Hexagonal socket screw 4x4
5	731384008	Felt
6	000111304	Hexagonal socket screw 5x5
7	673062004	Upper shaft rear bushing
8	756017004	Upper shaft timing gear
9	000020501	Spring pin 3x22
10	756018005	Belt wheel
11	000030205	Snap ring E-8
12	000023803	Spring pin 4x40
13	639097703	Handwheel
14	639113016	Clutch spring
15	000081005	Setscrew 4x8
16	650070048	Handwheel cap
17	650071016	Timing belt
18	653139023	Timing belt

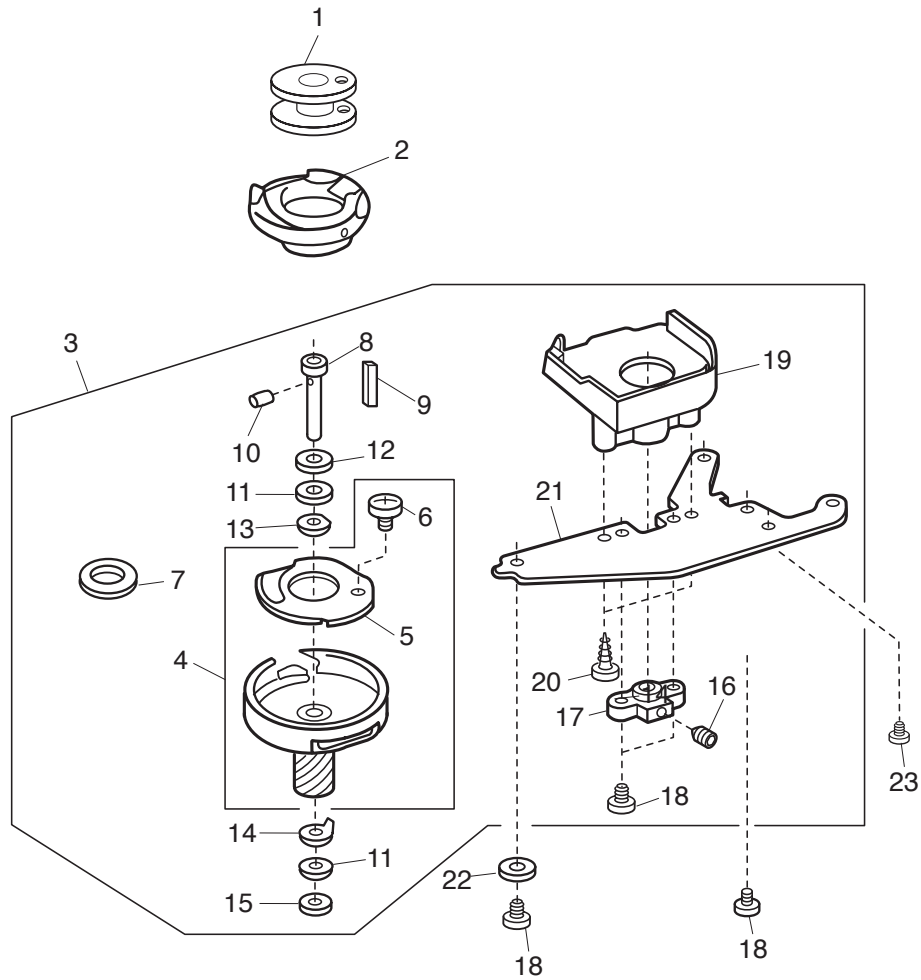
PARTS LIST



PARTS LIST

KEY NO.	PARTS NO.	DESCRIPTION
1	751666504	Feed rock shaft (unit)
2	653193003	Feed dog
3	000104005	Setscrew 3.5x8
4	650085002	Spring
5	738055008	Straight pin
6	000111304	Hexagonal socket screw 5x5
7	650612004	Feed regulator (unit)
8	820387000	Ring
9	000081005	Setscrew 4x8
10	507095008	Regulator spring
11	625144002	Feed shaft bushing (front)
12	650175000	Cushion
13	000111201	Hexagonal socket screw 4x4
14	650092002	Feed shaft bushing (rear)
15	507608103	Feed regulator plate (unit)
16	507062006	Feed shaft
17	507011103	Feed shaft plate
18	000081500	Setscrew 3x12
19	507064101	SS adjusting plate
20	507087007	Adjusting screw
21	000160102	Adjustable lock nut 4
22	507063007	Feed adjusting plate
23	648010009	Setscrew
24	000159201	Setscrew 4x12
25	751612206	Lower shaft (unit)
26	650079003	Lower shaft bushing (rear)
27	820161006	Feed lifting cam pin
28	751148000	Feed cam
29	000115009	Setscrew TP 3x8
30	808137005	Lower shaft gear
31	753183025	Feed lifting cam
32	686035008	Feed lifting cam spring
33	820166001	Lower shaft ring
34	000038502	Washer
35	650078002	Lower shaft bushing (front)
36	735143005	Felt
37	858177002	Washer
38	000002806	Snap ring E-6

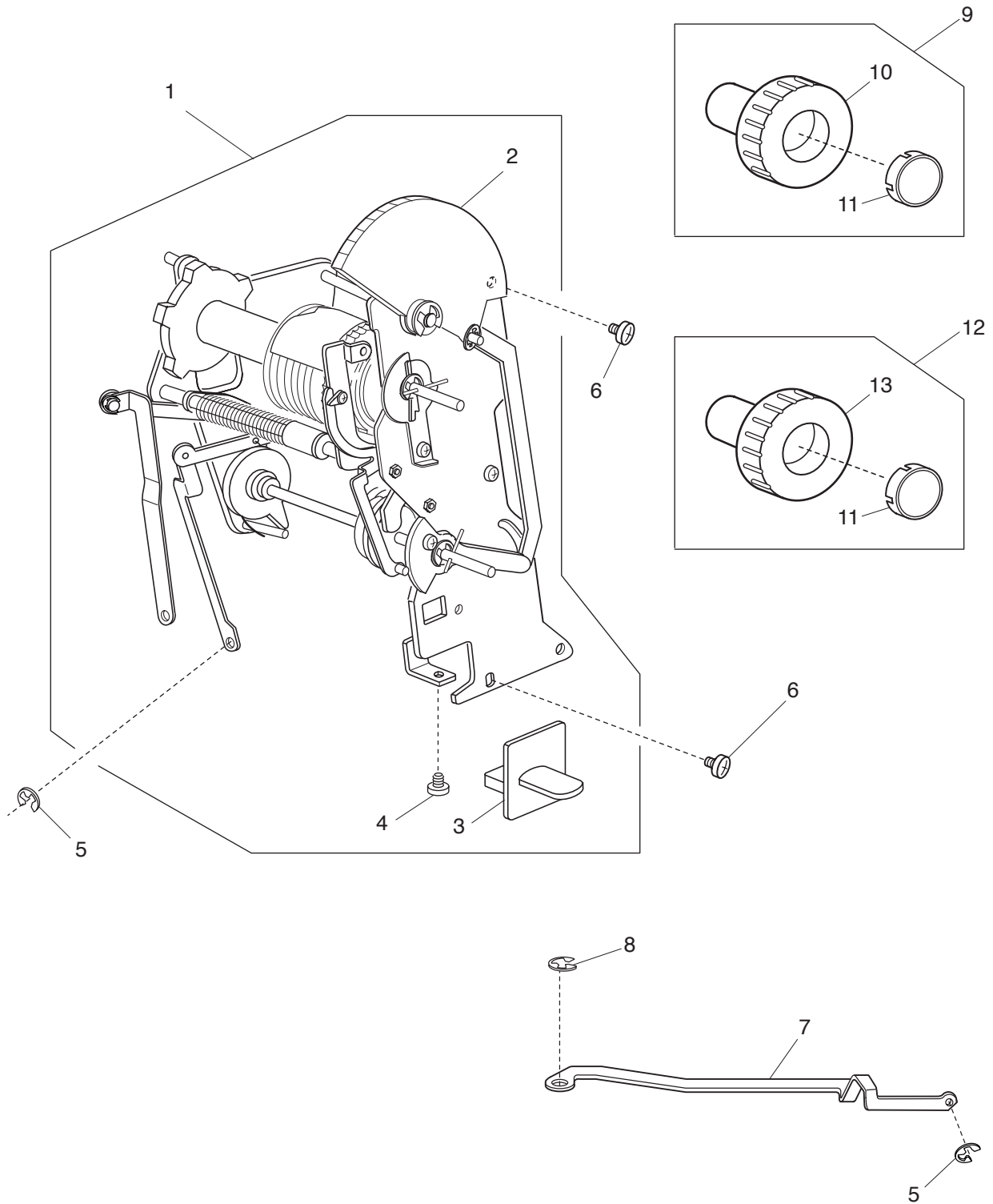
PARTS LIST



PARTS LIST

KEY NO.	PARTS NO.	DESCRIPTION
1	102261505	Bobbin
2	627569106	Bobbin holder (unit)
3	660655011	Hook race (unit)
4	508514001	Hook body (unit)
5	508137006	Hook bottom plate
6	820374004	Setscrew
7	627190010	Magnet
8	820123006	Hook race shaft
9	820124007	Oil string (1)
10	820125008	Oil string (2)
11	000038409	Thrust washer
12	508118001	Washer
13	508139008	Magnet set plate
14	627192001	Washer
15	625102008	Washer
16	000111304	Hexagonal socket screw 5x5
17	650094004	Hook race shaft base
18	000081005	Setscrew 4x8
19	827040009	Cover
20	000107204	Setscrew 3x12 (B)
21	823106002	Hook race set plate
22	000070506	Washer
23	650172007	Setscrew

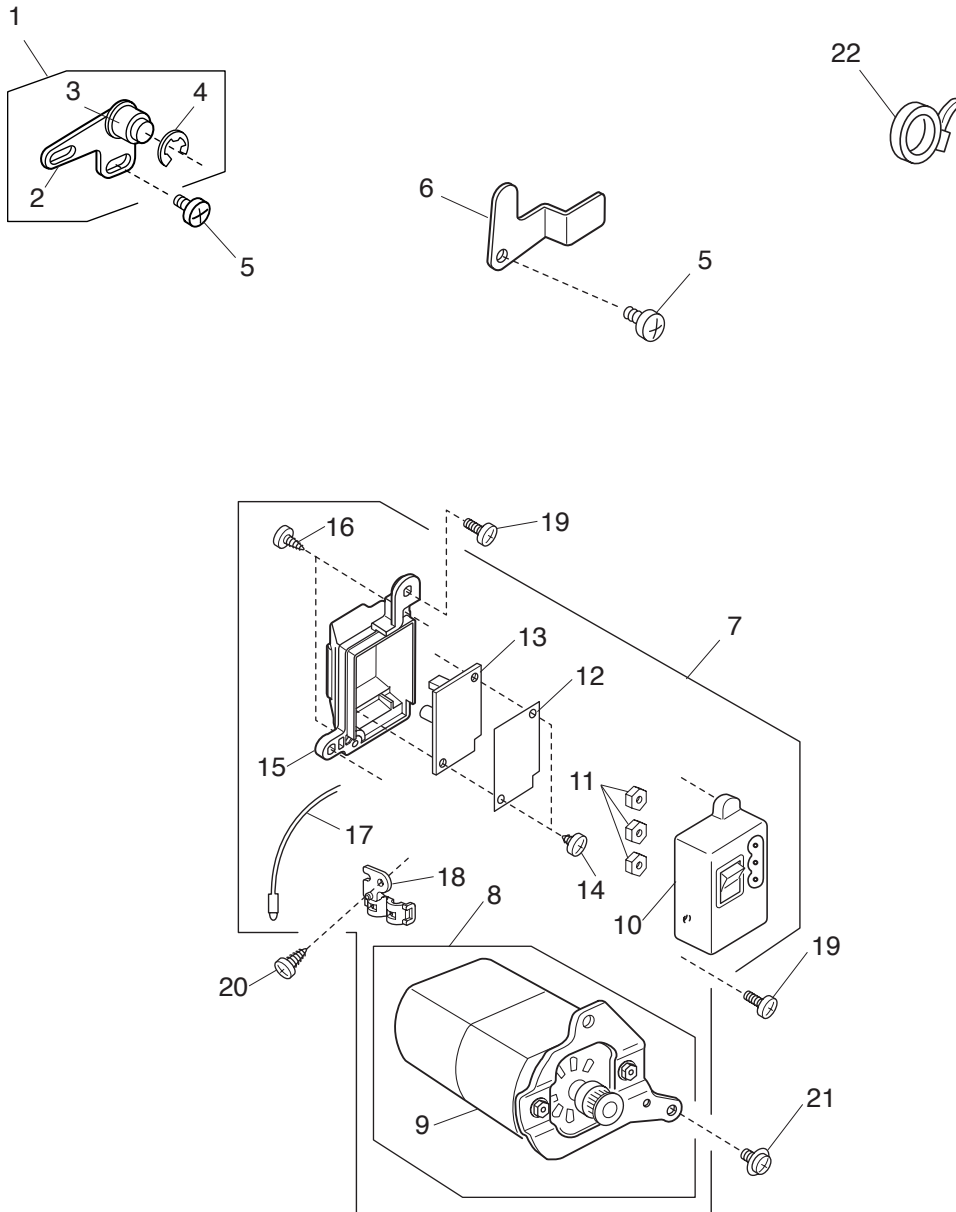
PARTS LIST



PARTS LIST

KEY NO.	PARTS NO.	DESCRIPTION
1	507633406	Cam block (unit)
2	507041607	Stitch width dial
3	507109040	R lever
4	000107307	Set screw 3x8
5	000002105	Snap ring E-3
6	000081005	Setscrew 4x8
7	507066000	Zigzag width rod
8	000002507	Snap ring E-4
9	507635486	Pattern selector dial (unit)
10	507112611	Pattern selector dial
11	507113003	Cap
12	507635475	Stitch length dial (unit)
13	507112622	Stitch length dial

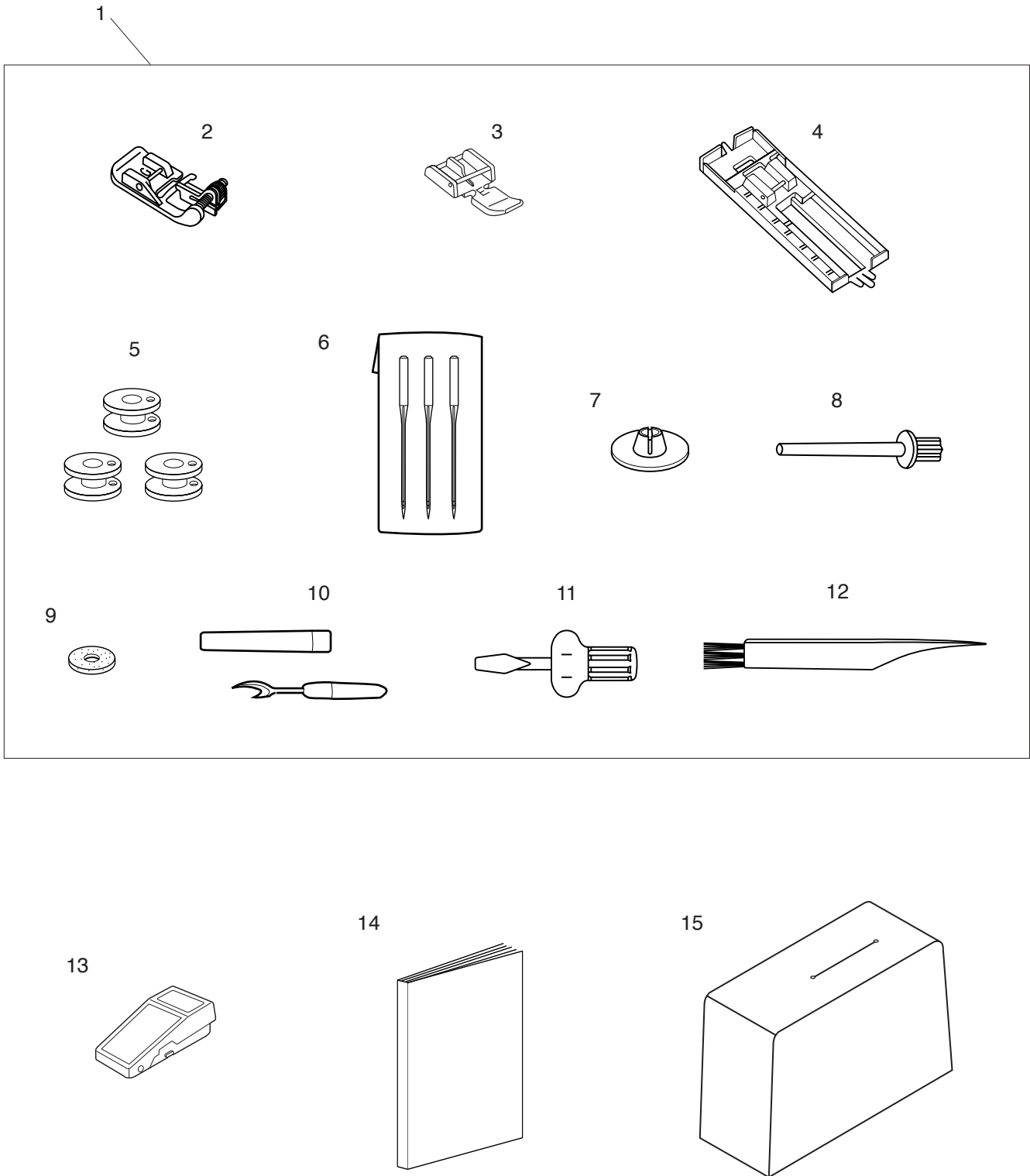
PARTS LIST



PARTS LIST

KEY NO.	PARTS NO.	DESCRIPTION
1	753619003	Idler (unit)
2	753119008	Idler base
3	625217100	Idler
4	000002806	Snap ring E-6
5	000081005	Setscrew 4x8
6	507067001	Set plate
7	753678206	Machine socket (whole unit)
8	752671309	Motor (unit)
9	M-2086A-1	Motor
10	739503308	Machine socket (unit)
11	000060802	Nut 3-1-5.5
12	508134003	Insulating paper
13	508512102	Printed circuit board C (unit)
14	000120203	Setscrew 3x8 (B)
15	505080004	Machine socket cover
16	000107802	Setscrew 3x10 (B)
17	508515105	LED (unit)
18	508143005	LED holder
19	000103509	Setscrew 4x10
20	000107307	Setscrew 3x8 (B)
21	000115504	Setscrew TP 5x10
22	000053709	Cord binder

PARTS LIST



PARTS LIST

KEY NO.	PARTS NO.	DESCRIPTION
1	507870083	Accessory set
2	820817015	Blind stitch foot
3	808852003	Zipper foot
4	825813016	Buttonhole foot
5	102261505	Bobbin
6	639804000	Needle set
7	822019509	Spool holder (small)
8	625031500	Extra spool pin
9	102403109	Felt
10	647808009	Seam ripper
11	820832005	Screwdriver
12	802424004	Lint brush
13	C-2096	Foot control
14	507851217	Instruction manual
15	507818005	Cover