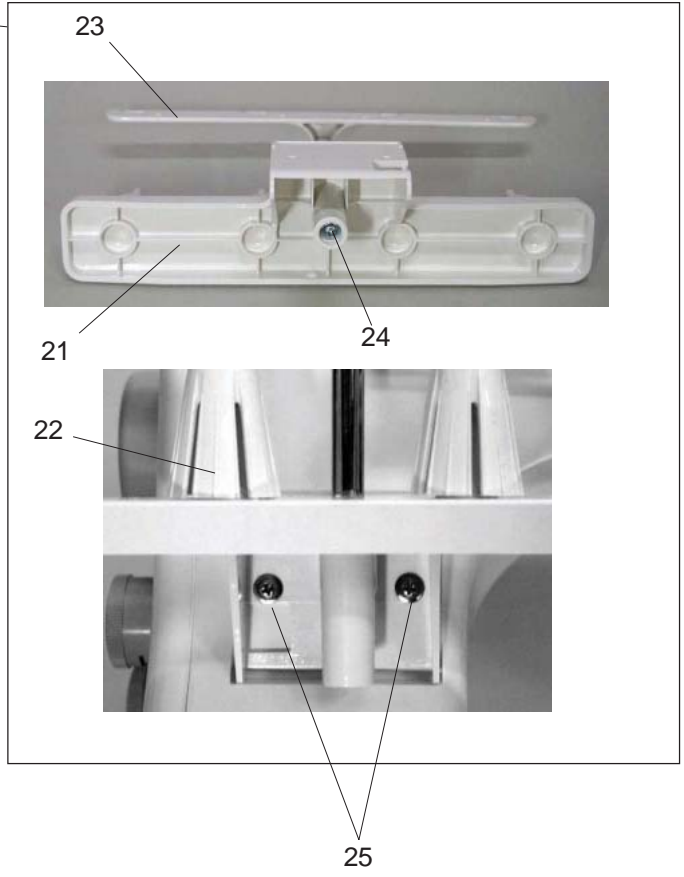
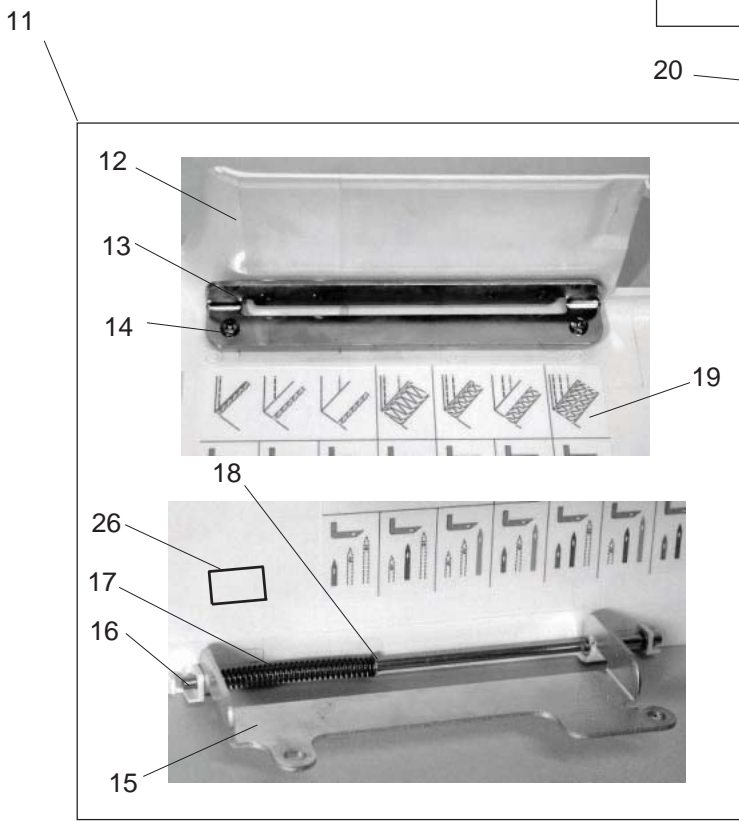
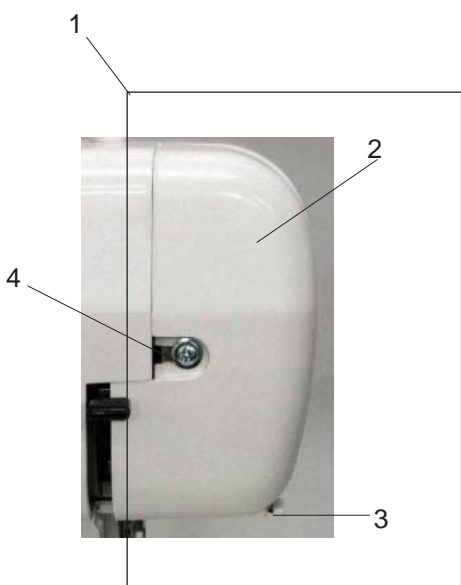
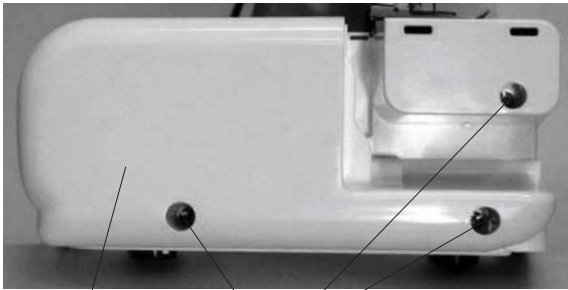


# PARTS LIST

CoverPro 900CP & 1000CP



Nb.	Part number	Description
1	795603004	Face cover unit
2	795016004	Face cover
3	840602006	Thread cutter unit
4	000115700	TP screw (4 X 10)
5	795601002	Rear cover unit
6	795007105	Rear cover
7	795004009	Handle
8	795005000	Handle supporter
9	730015002	Handle shaft
10	000120203	Setscrew 3 X 8B
11	795602003	Looper cover unit (1000CP)
	795602106	Looper cover unit (900CP)
12	795010101	Looper cover (1000CP)
	795010204	Looper cover (900CP)
13	795102008	Attachment set plate
14	000120203	Setscrew 3 X 8B
15	795011009	Looper cover supporter
16	795013001	Looper cover shaft
17	792028000	Looper cover spring
18	000002105	Snap ring E-3
19	795015003	Stitch chart (1000CP)
	795206003	Stitch chart (900CP)
20	789606008	Spool stand unit (1000CP)
	795624001	Spool stand unit (900CP)
21	777011003	Spool stand (100CP)
	795204001	Spool stand (900CP)
22	784223105	Spool holder
23	789607009	Thread guide bar unit (1000CP)
	795625002	Thread guide bar unit (900CP)
24	000115700	TP screw 4 X 10
25	000114802	TP screw 4 X 12
26	100045000	Caution sticker (Canada)

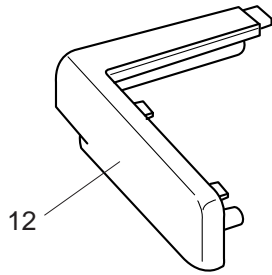


1

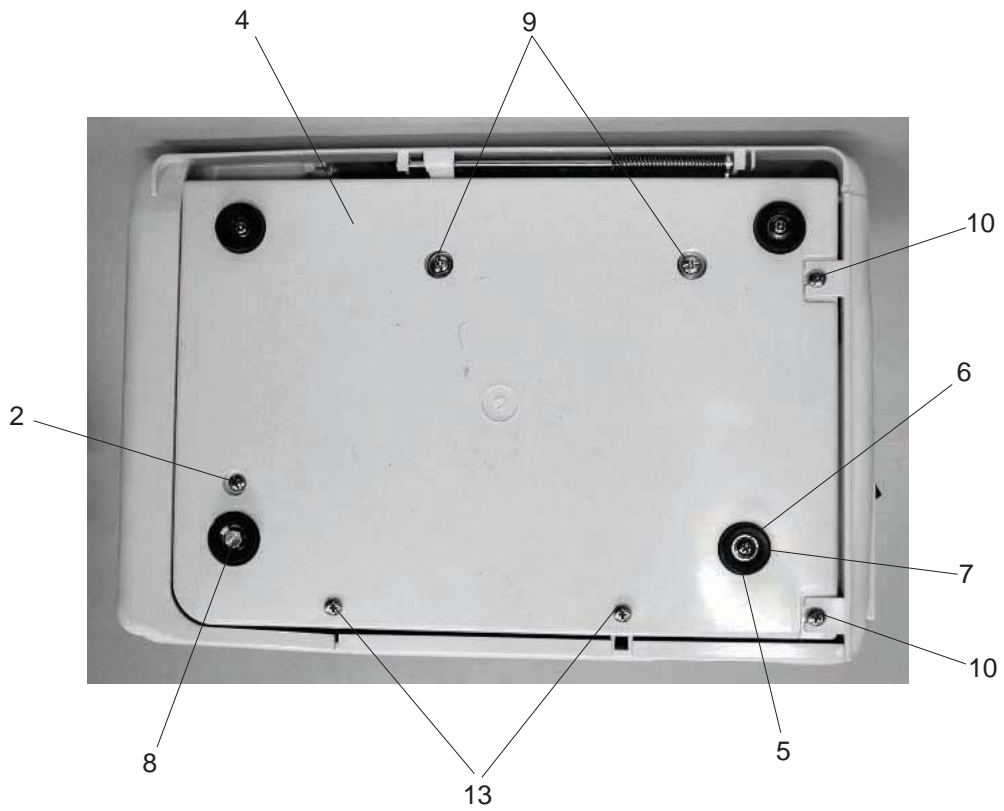
2



11



12



2

4

9

10

6

7

10

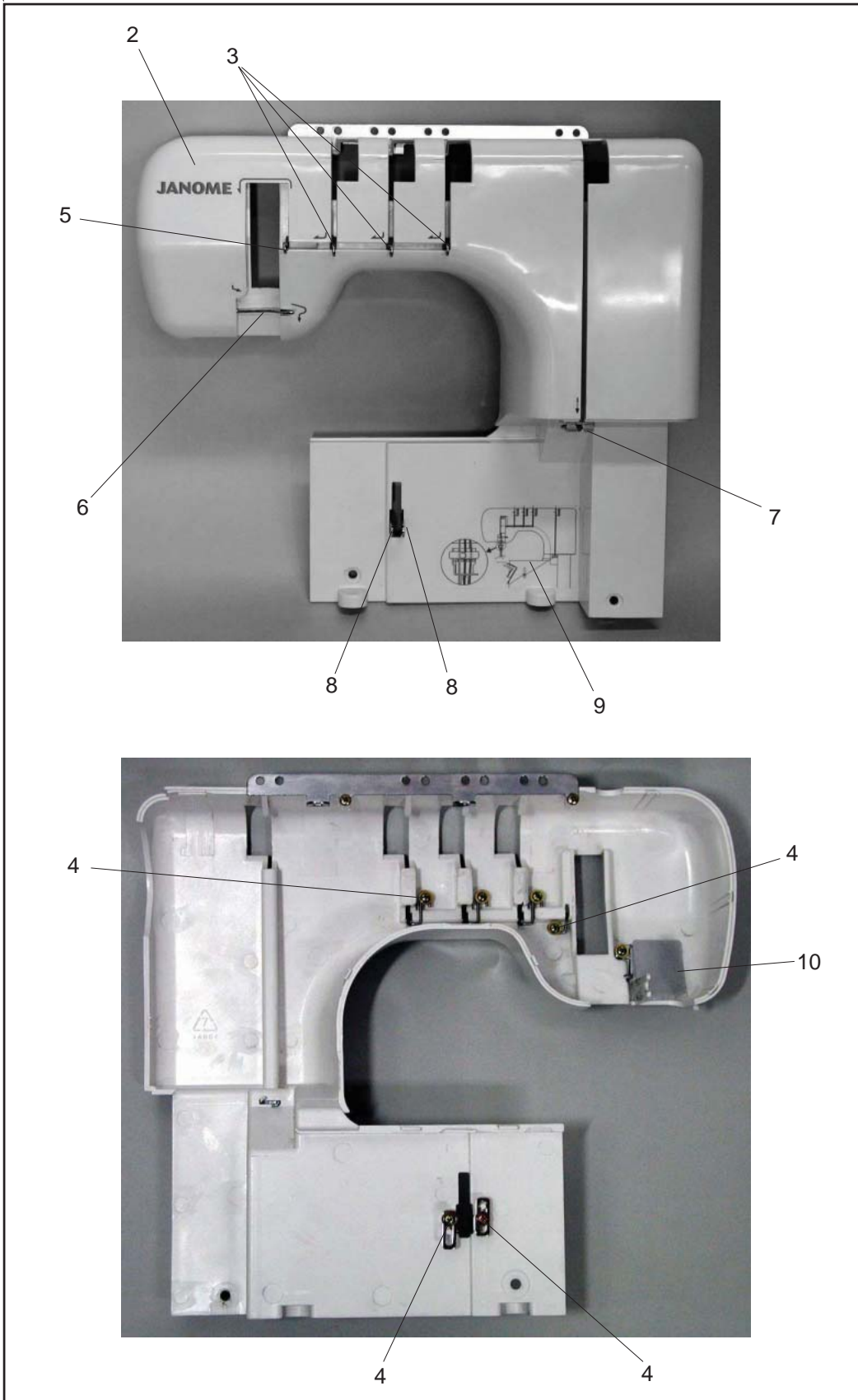
8

5

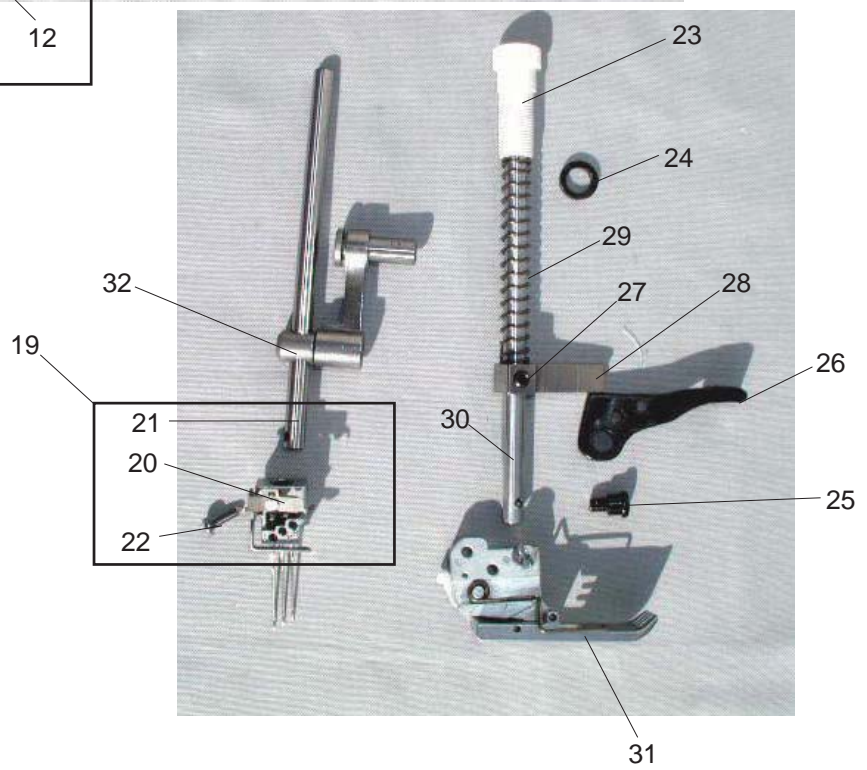
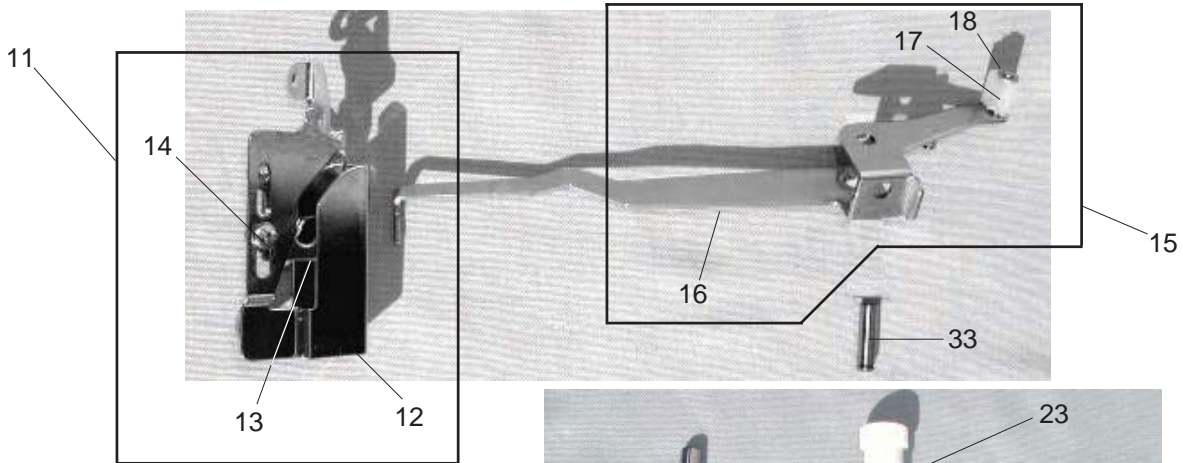
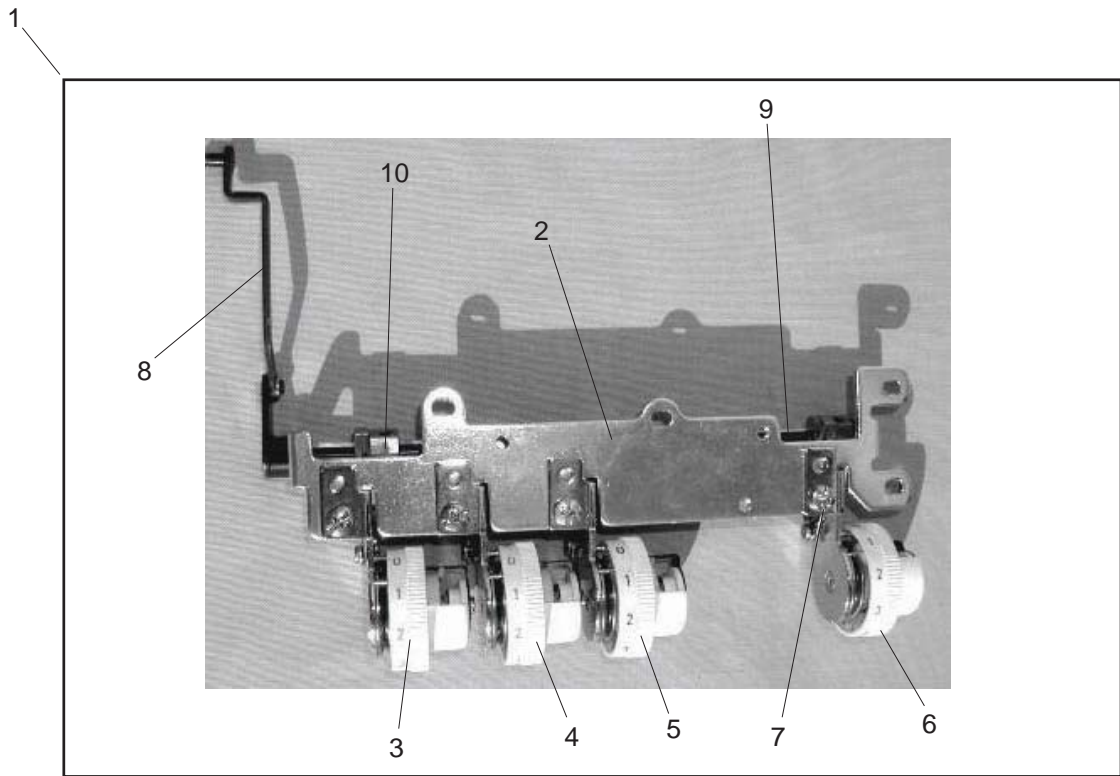
13

Nb.	Part number	Description
1	795631001	Free-arm cover unit
2	000081005	Setscrew 4 X 8
3	795114106	Belt cover
4	795112001	Base plate
5	605074008	Rubber foot
6	000101703	Setscrew 4 X 12
7	000072601	Washer
8	717618000	Adjusting screw unit
9	000115607	TP Screw 4 X 8
10	000198305	Setscrew 4 X 10B
11	000103510	Setscrew 4 X 10
12	795009004	Extension table
13	000198305	Setscrew 4 X 10B

1



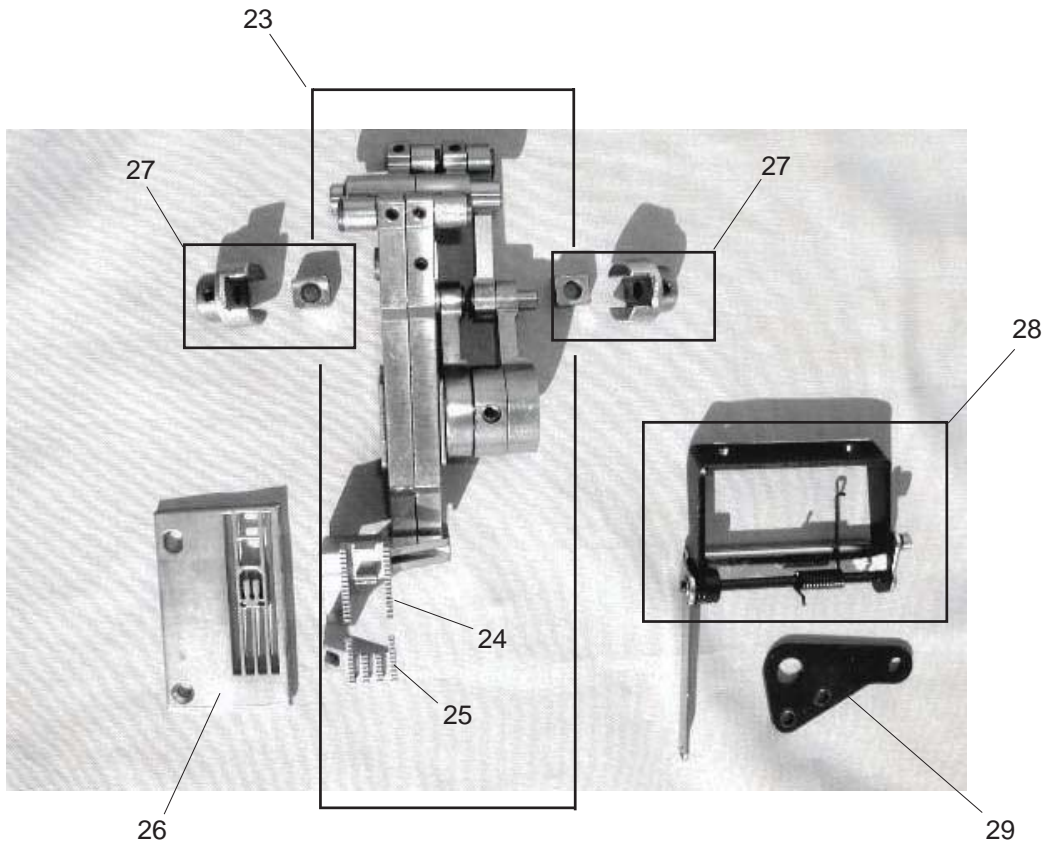
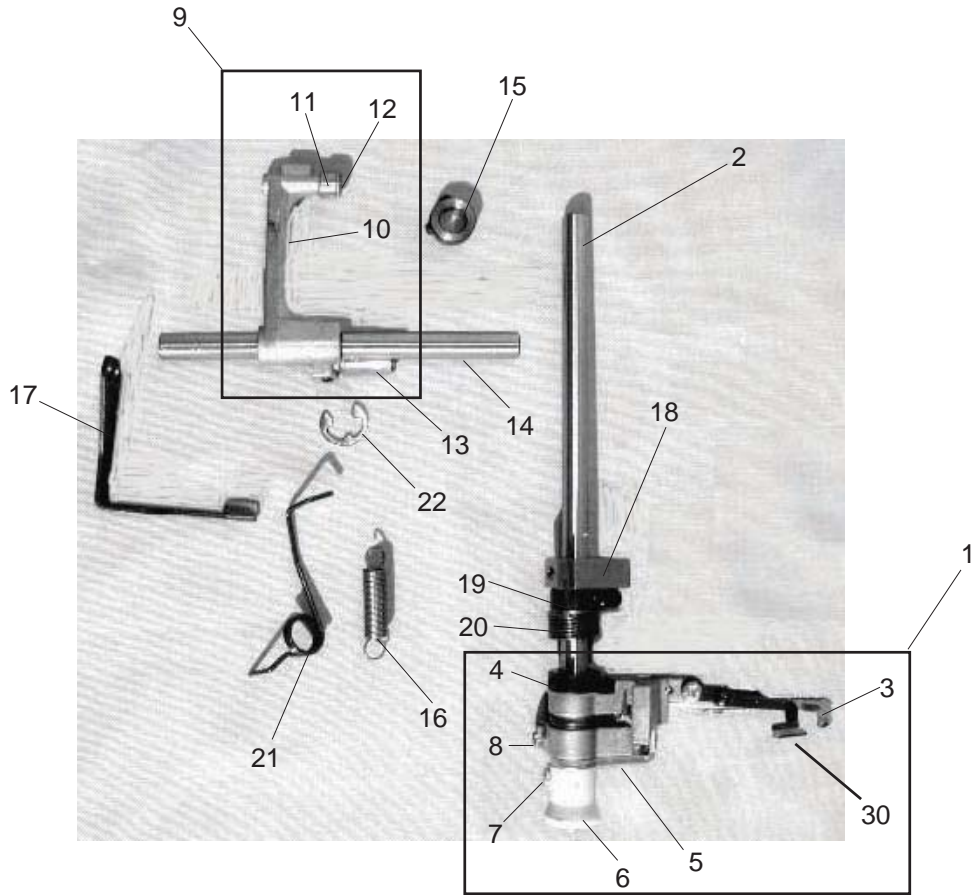
Nb.	Part number	Description
1	796605009	Front cover unit (1000CP)
	795620007	Front cover unit (900CP)
2	795039106	Front cover (1000CP)
	795039151	Front cover (900CP)
3	795040007	Thread guide (1)
4	000149301	Setscrew 3 X 8B
5	795041008	Needle thread guide (2)
6	795042009	Needle thread guide (3)
7	795044001	Looper thread guide (1)
8	795045002	Looper thread guide (2)
9	795046003	Thread guide chart (1000CP)
	795207004	Thread guide chart (900CP)
10	724025006	Face cover reflection plate





Nb.	Part number	Description
1	796606000	Thread tension set plate unit (1000CP)
	795621008	Thread tension set plate unit (900CP)
2	795104000	Thread tension set plate
3	795502002	Needle thread tension (L) unit
4	796503006	Needle thread tension (C) unit (1000CP)
5	795503003	Needle thread tension (R) unit
6	795504004	Looper thread tension unit
7	000101404	Setscrew 4 X 6
8	795615009	Thread tension release lever
9	795108004	Thread releasing shaft
10	795110009	Cam
11	795605006	Thread take-up lever cover unit
12	795043000	Thread take-up lever cover
13	795121003	Thread take-up lever
14	000097406	Setscrew 3 X 3
15	795604005	Needle thread take-up lever unit
16	795026007	Needle thread take-up lever
17	795123005	Cam follower
18	000001207	Snap ring E-2.5
19	796602006	Needle bar unit (1000CP)
	795617001	Needle bar unit (900CP)
20	796603007	Needle clamp unit (1000CP)
	795618002	Needle clamp unit (900CP)
21	795018006	Needle bar
22	000080428	Setscrew 3 X 10
23	795030004	Pressure adjusting screw
24	102061008	Washer
25	810431009	Hinge screw
26	650032015	Presser foot lifter
27	000111304	Hexagonal socket screw
28	724118007	Presser bar bracket
29	795029000	Presser bar spring
30	784029006	Presser bar
31	796501004	Presser foot unit (1000CP)
	795505005	Presser foot unit (900CP)
32	795024005	Needle bar connecting stud
33	795629006	Take-up lever supporter pin

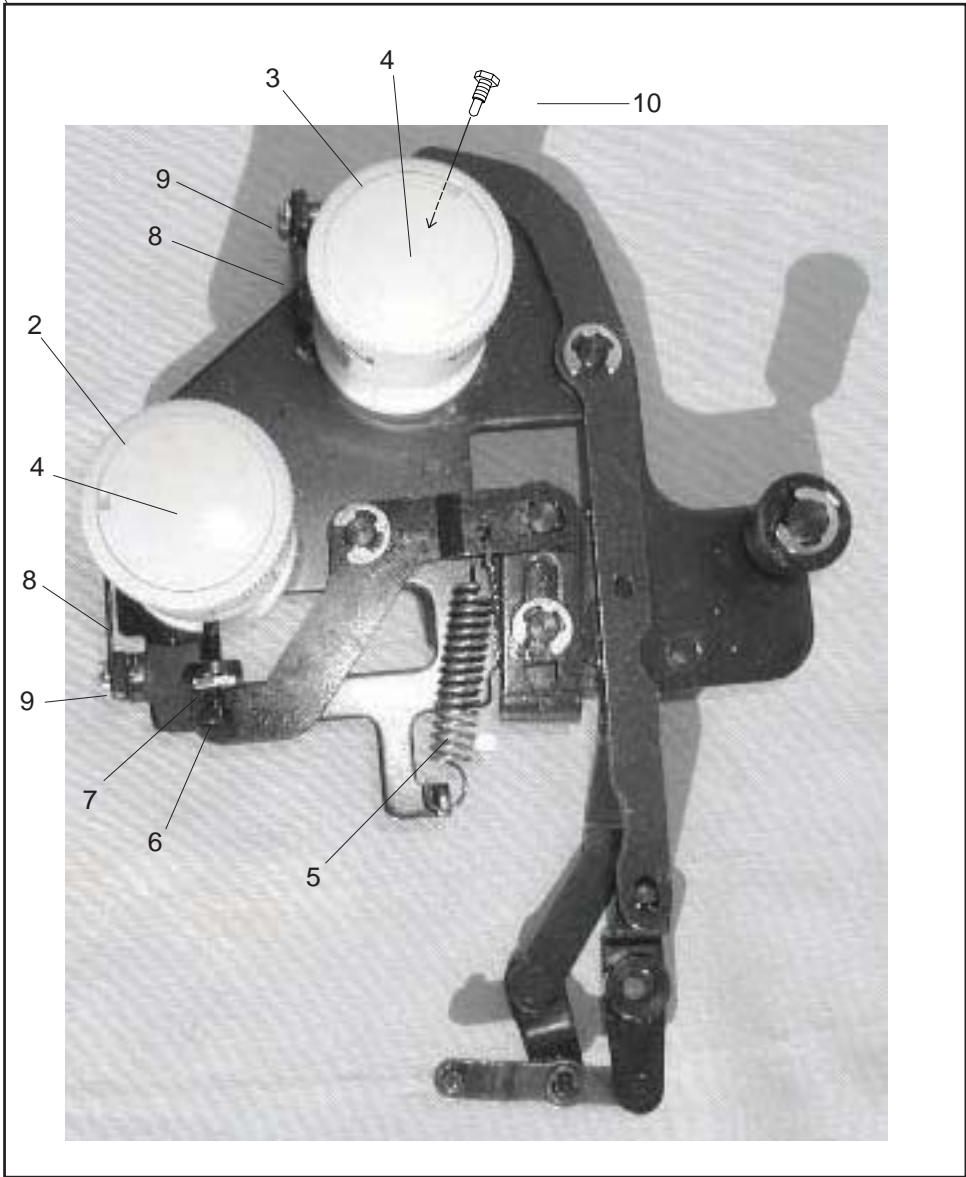
Nb. Part number Description



---

1	795613007	Looper shaft unit
2	795092004	Looper shaft
3	795614008	Looper unit
4	787106007	Looper thrust ring
5	795099001	Looper link arm
6	795101007	Looper release knob
7	000101116	Setscrew 3 X 4
8	000138008	Hexagonal bolt 4 X 16
9	795612006	Looper crank arm
10	795089008	Looper rocking arm
11	795034008	Looper cam roller
12	795053003	Looper cam roller pin
13	795090002	Looper slider block
14	795088007	Looper rocking shaft
15	624245001	Thrust stopper
16	795132007	Looper spring
17	795085004	Needle guard
18	795093005	Looper arm
19	792048006	Looper shaft ring
20	795135000	Looper rocking spring
21	795127009	Looper crank spring
22	000002909	Snap ring E-7
23	795610004	Main feed base unit
24	795060003	Main feed dog
25	795063006	Sub feed dog
26	796601005	Needle plate unit (1000CP)
	795616000	Needle plate unit (900CP)
27	785521006	Feed regulator unit
28	795609000	Looper thread take-up lever unit
29	795072008	Link shaft support base
30	795097009	Front needle guard

1



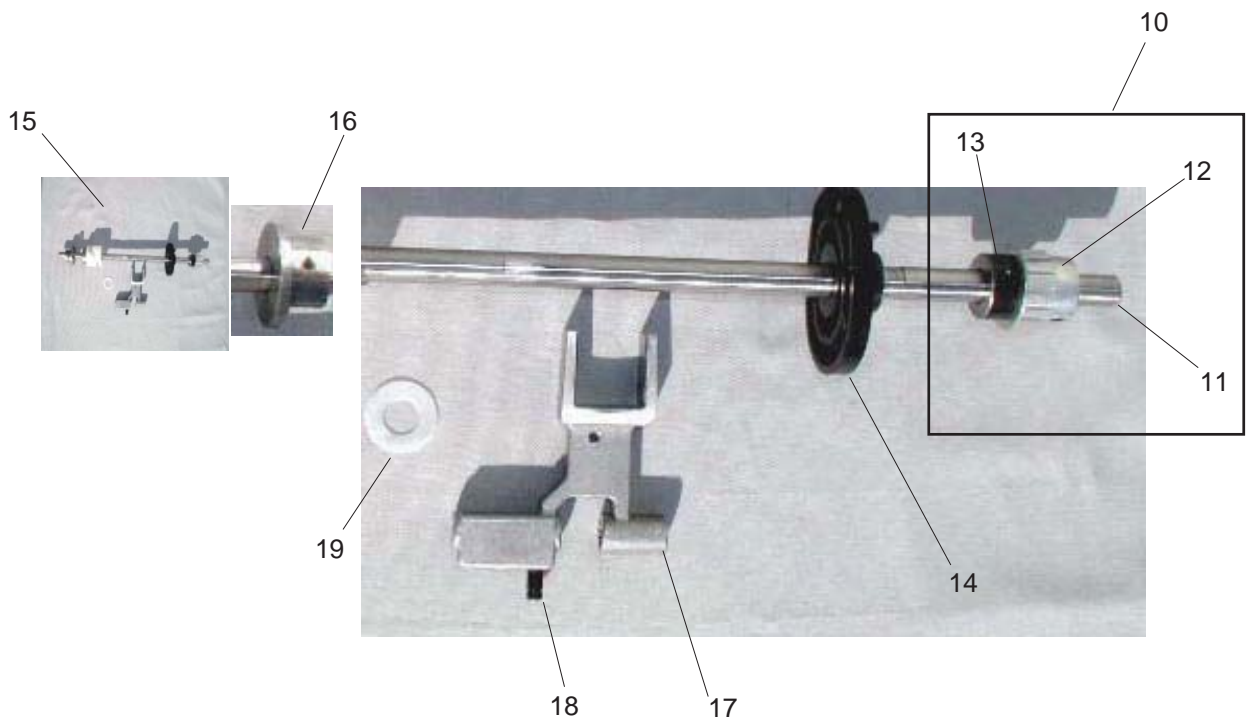
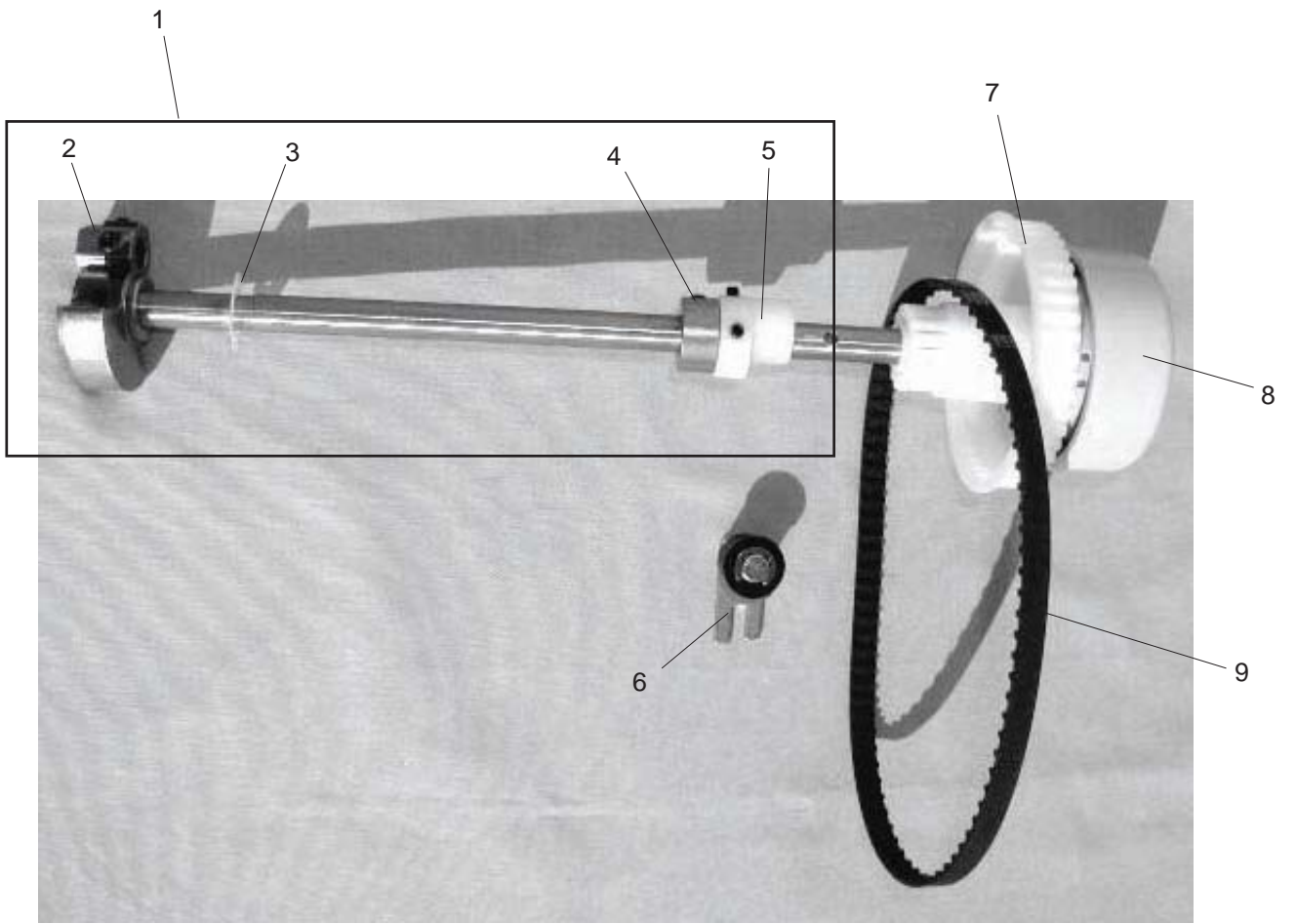
11

12

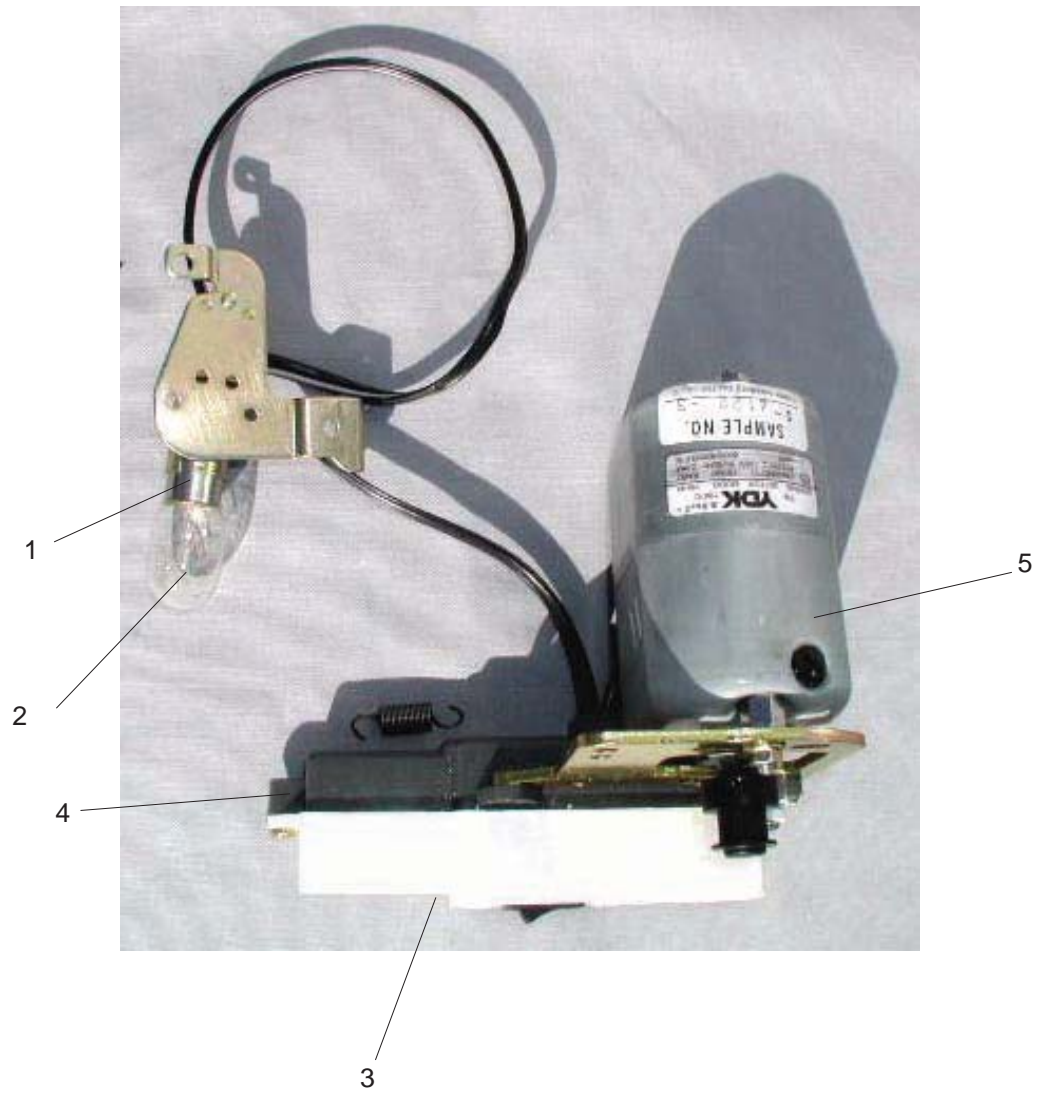
13

14

Nb.	Part number	Description
1	795611005	Feed adjuster bracket unit (1000CP)
	795611108	Feed adjuster bracket unit (900CP)
2	795087257	Differential feed dial (1000CP)
	795087202	Differential feed dial (900CP)
3	795087154	Stitch length dial (1000CP)
	795087109	Stitch length dial (900CP)
4	794099101	Dial cap (1000CP)
	794099008	Dial cap (900CP)
5	787259006	Spring
6	785224006	Adjusting screw
7	000160102	Adjustable nut 4
8	787263003	Spring
9	000081119	Setscrew 4 X 6
10	652056000	Adjusting screw
11	795076002	Lower shaft base
12	795074000	Sub feed convert arm shaft
13	795077003	Sub feed link arm shaft
14	794053000	Sub feed link arm

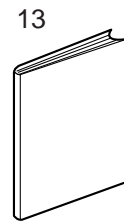
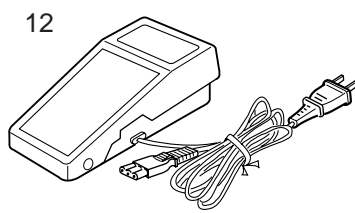
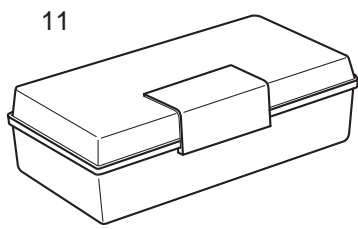
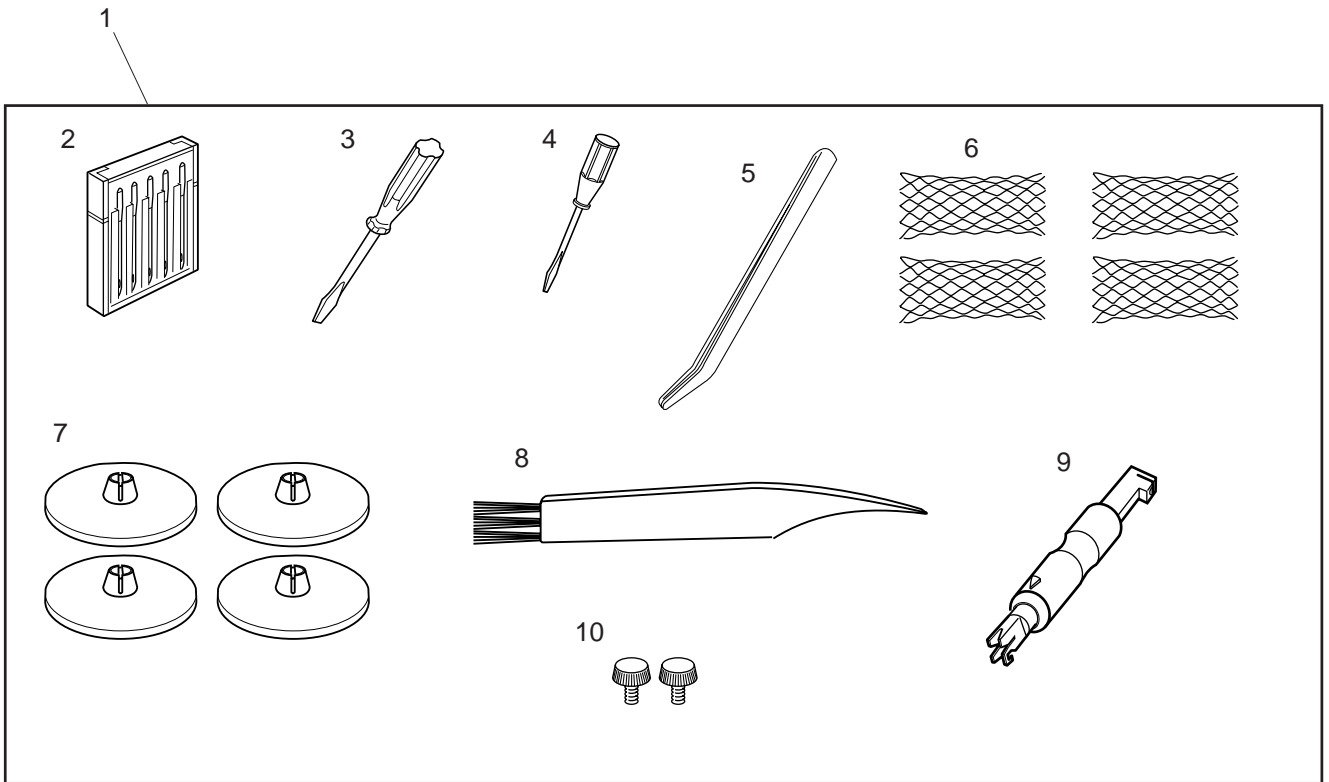


Nb.	Part number	Description
1	795606007	Upper shaft unit
2	795048005	Needle bar crank
3	000038605	Washer
4	639095000	Ring
5	795125007	Needle thread take-up lever cam
6	795607008	Idler unit
7	795632002	Belt wheel unit
8	846081001	Hand wheel (1000CP)
	846081104	Hand wheel (900CP)
9	795050000	Timing belt
10	795608009	Lower shaft unit
11	795051001	Lower shaft
12	724030004	Lower shaft timing gear unit
13	619006002	Upper shaft ring
14	795057007	Looper take-up lever cam
15	795628005	Looper rocking cam unit
16	795055005	Looper cam
17	795056006	Looper rod
18	795134009	Screw
19	000038605	Washer





Nb.	Part number	Description
1	787510008	Lamp socket unit (U.S.A. & Canada)
	795623000	Lamp socket unit (Continental Europe, Australia & U.K.)
2	000009803	Lamp 120V
	000009009	Lamp 240V
3	777504101	Machine socket unit (U.S.A., Canada)
	777502109	Machine socket unit (Continental Europe, Australia & U.K.)
4	794087003	Machine socket cover
5	795626003	Motor unit (U.S.A. & Canada)
	795627004	Motor unit (Continental Europe)
	795627107	Motor unit (Australia & U.K.)



Nb.	Part number	Description
1	796870100	Standard accessories unit (1000CP)
	795870107	Standard accessories unit (900CP)
2	795802005	Assorted needle set
3	784810002	Screwdriver
4	792030005	Small screwdriver
5	624801001	Tweezers
6	624806006	Net
7	822020503	Spool cap
8	802424004	Lint brush
9	200254502	Needle threader
10	200217134	Thumbscrew (for optional attachment)
11	366401400	Accessory box
12	C-1028	Foot control (U.S.A.)
	C-2038-1	Foot control (Continental Europe)
	C-2065	Foot control (Australia)
	C-2048	Foot control (U.K.)
	C-1028	Foot control (Canada)
13	796800006	Instruction book (1000CP) (English)
	796800028	Instruction book (1000CP) (English, French & Spanish)
	796800039	Instruction book (1000CP) (Dutch, German & French)
	796800040	Instruction book (1000CP) (Norwegian, Swedish & Danish)
	796800051	Instruction book (1000CP) (Italian & Finnish)
	795800003	Instruction book (900CP) (English)
	795800025	Instruction book (900CP) (English, French & Spanish)
	795800036	Instruction book (900CP) (Dutch, German & French)
	795800047	Instruction book (900CP) (Norwegian, Swedish & Danish)
	795800058	Instruction book (900CP) (Italian & Finnish)