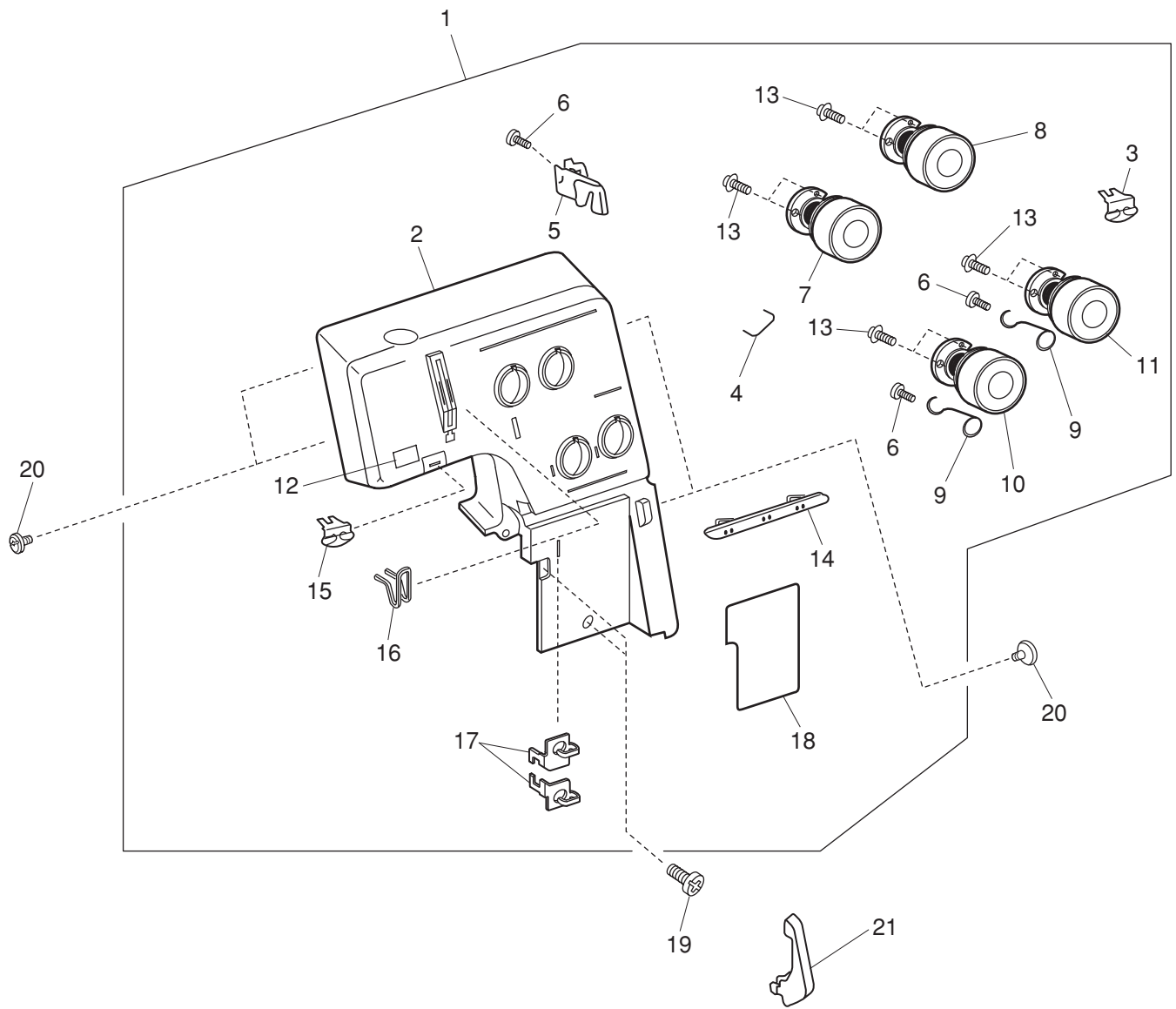


PARTS LIST

MODEL: 204D

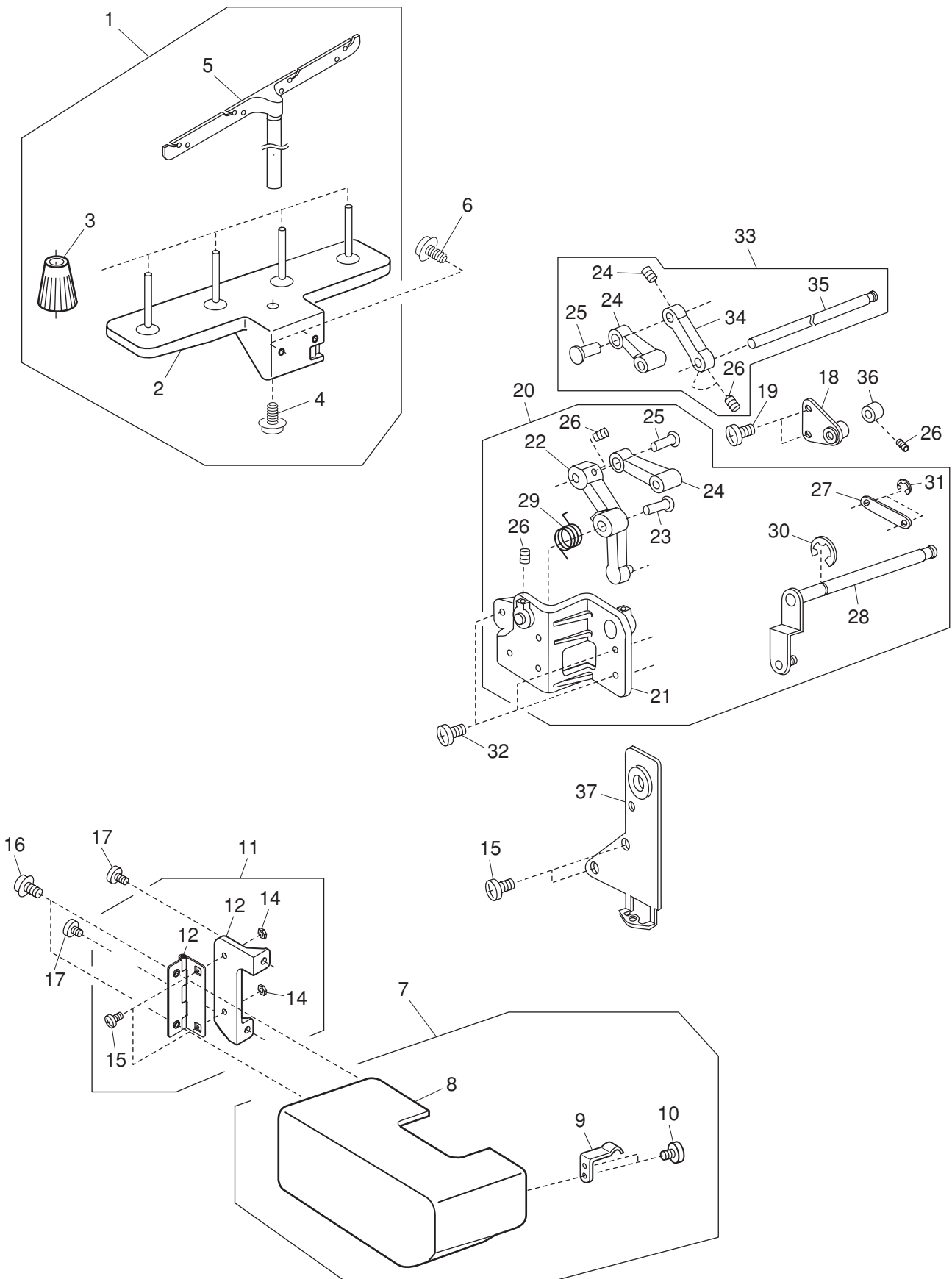
PARTS LIST



PARTS LIST

KEY NO.	PARTS NO.	DESCRIPTION
1	789605281	Front cover (unit)
2	789021140	Front cover
3	785232007	Looper thread guide
4	787361002	Looper thread base
5	792612007	Check spring (unit)
6	000149301	Setscrew 3x8 (B)
7	785552501	L. needle tension (unit)
8	785553605	R. needle tension (unit)
9	785231006	Thread guide
10	785554606	U. looper tension (unit)
11	785555607	L. looper tension (unit)
12	888261007	Sticker
13	000114709	Setscrew TP 3x6
14	787363004	Thread guide plate
15	785015002	Needle thread guide 2
16	787392002	Thread guide
17	787131001	Looper thread guide
18	789024006	Thread chart
19	000103417	Setscrew 4x8
20	000115607	Setscrew TP 4x8
21	787394004	Take-up lever cover

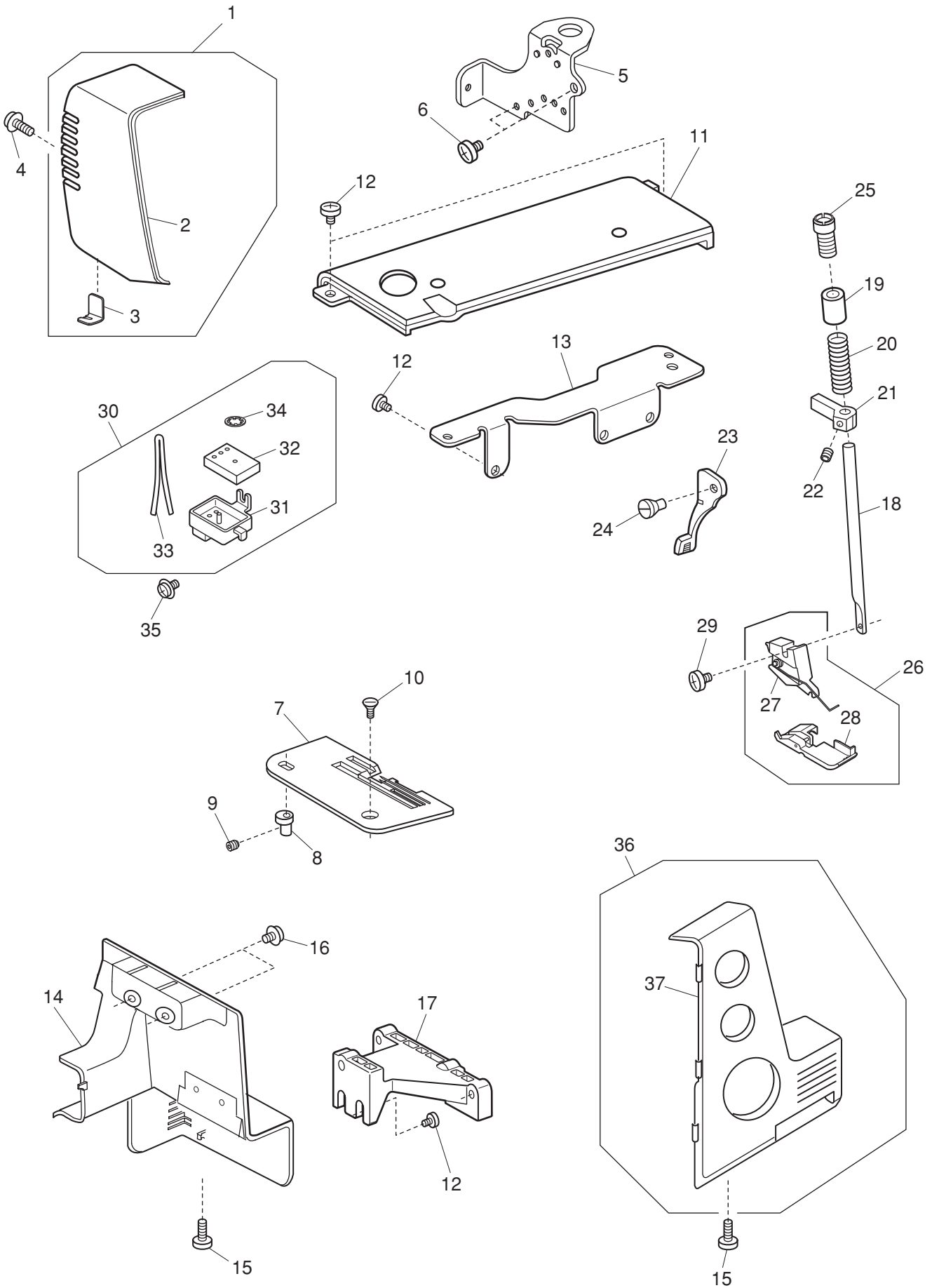
PARTS LIST



PARTS LIST

KEY NO.	PARTS NO.	DESCRIPTION
1	789606008	Spool stand (unit)
2	777011003	Spool stand
3	784223105	Spool holder
4	000115700	Setscrew TP 4x10
5	789607009	Thread guide bar (unit)
6	000160401	Setscrew 4x16
7	787628000	Side cover (unit)
8	787161011	Side cover
9	787163002	Slide cover spring
10	000120203	Setscrew 3x8 (B)
11	798633002	Side cover hinge base (unit)
12	798061003	Side cover hinge base
13	787507002	Side cover hinge (unit)
14	000061102	Nut 4-1-7
15	000081005	Setscrew 4x8
16	000115618	Setscrew TP 4x8
17	000101404	Setscrew 4x6
18	787077008	Connecting arm support
19	810220003	Setscrew 4x6.5
20	792611305	Feed adjusting base (unit)
21	793119105	Feed adjusting base
22	787194002	Sub feed connecting arm 3
23	787195014	Connecting arm pin
24	787067005	Feed link
25	787195003	Feed connecting pin
26	000111201	H. socket screw 4x4
27	787081005	Feed connecting arm link
28	792034401	Sub feed connecting shaft
29	798059008	Connecting arm spring
30	000001609	Snap ring E-5
31	000002105	Snap ring E-3
32	000103509	Setscrew 4x10
33	787637002	Main feed connecting arm 2 (unit)
34	787197005	Main feed connecting arm 2
35	787198006	Main feed connecting shaft
36	650136009	Ring
37	793118001	Main shaft set plate

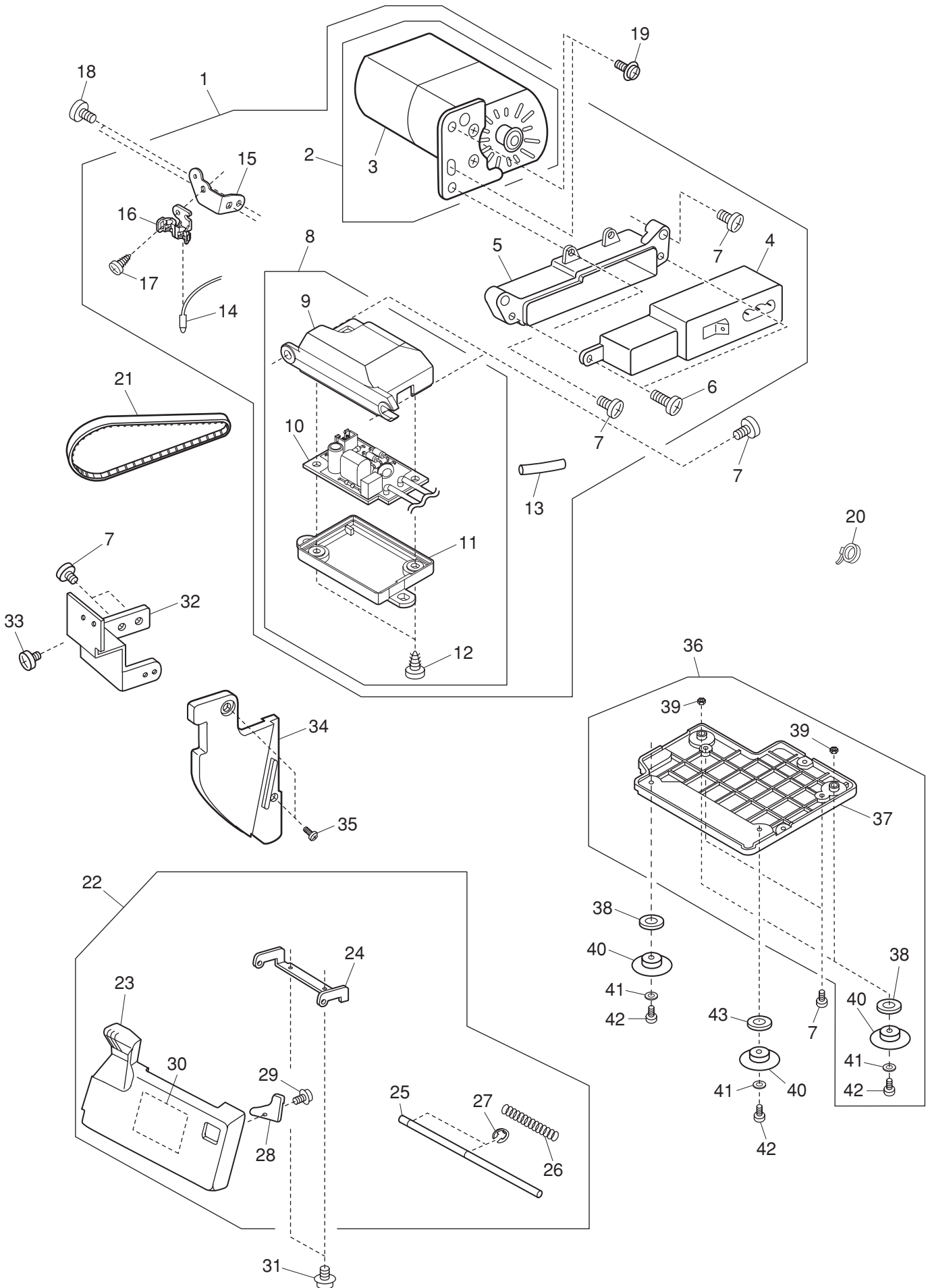
PARTS LIST



PARTS LIST

KEY NO.	PARTS NO.	DESCRIPTION
1	787671189	Face plate (unit)
2	787352000	Face plate
3	840602006	Thread cutter (unit)
4	000115700	Setscrew TP 4x10
5	789105002	Lamp set plate
6	000101404	Setscrew 4x6
7	788601000	Needle plate (unit)
8	789100007	Eccentric pin
9	000111902	H. socket screw 3x4
10	681009101	Flat screw
11	787371201	Top cover
12	000081005	Setscrew 4x8
13	787370004	Handle set plate
14	787293208	Rear cover
15	000198316	Setscrew 4x10 (B)
16	000115618	Setscrew TP 4x8
17	798062004	Rear cover set plate
18	787019002	Presser bar
19	777002001	Bushing
20	787020006	Presser bar spring
21	789117007	Presser bar bracket
22	000111304	H. socket screw 5x5
23	650032015	Presser lifter
24	810431009	Hinge screw
25	777013108	Presser adjusting screw
26	788501009	Presser foot (unit)
27	787541008	Foot holder (unit)
28	788502000	Presser foot (lower) (unit)
29	660106001	Setscrew
30	789602004	Oil case (unit)
31	789005001	Oil case
32	789006002	Felt
33	763033204	String
34	000014007	Snap ring CS-4
35	000234603	Setscrew 4x10
36	787678005	Belt cover (unit)
37	787379302	Belt cover

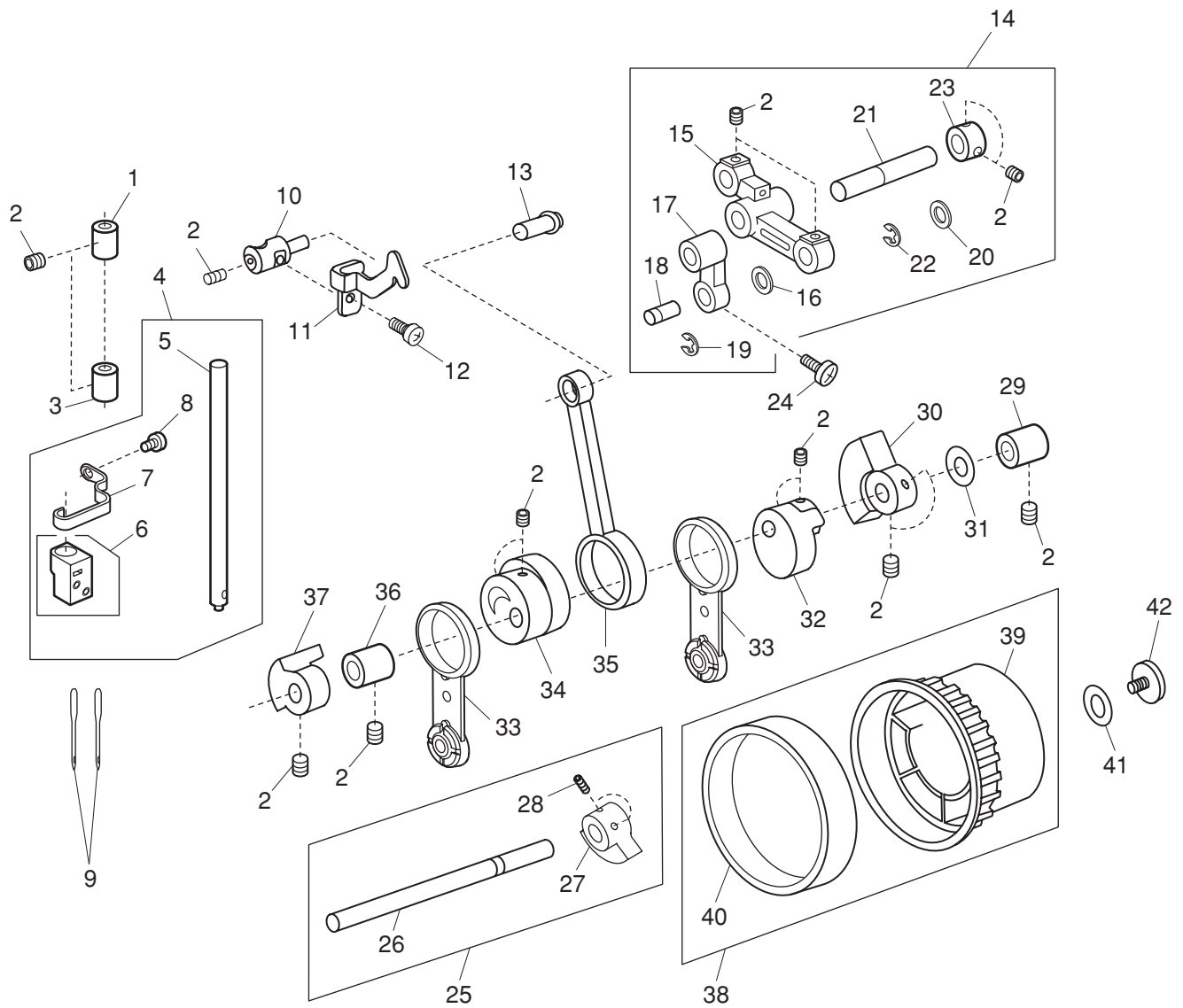
PARTS LIST



PARTS LIST

KEY NO.	PARTS NO.	DESCRIPTION
1	791604036	Machine socket (whole unit)
2	023271212	Motor (unit)
3	M-2042A	Motor
4	777502109	Machine socket (unit)
5	784128028	Machine socket cover
6	000121905	Setscrew 4x12 (B)
7	000081005	Setscrew 4x8
8	795651018	Printed circuit board C case (unit)
9	795181001	Printed circuit board C case
10	508512308	Printed circuit board C (unit)
11	795182002	Printed circuit board C case cover
12	000120203	Setscrew 3x8 (B)
13	652102909	Tube
14	508515404	LED (unit)
15	791121001	LED set plate
16	508143005	LED holder
17	000101105	Setscrew 3x4
18	000101404	Setscrew 4x6
19	000115504	Setscrew TP 5x10
20	000053008	Cord binder
21	784124002	Timing belt
22	787696043	Looper cover (unit)
23	787150143	Looper cover
24	792026008	Looper cover supporter
25	792027009	Looper cover shaft
26	792028000	Looper cover spring
27	000002105	Snap ring E-3
28	787181006	Looper cover stopper
29	000149301	Setscrew 3x8 (B)
30	789028000	Sticker
31	000115205	Setscrew TP 4x6
32	788085002	Looper cover guide supporter
33	000081016	Setscrew 4x8
34	788086106	Looper cover guide
35	000078320	Setscrew 3x6
36	789610049	Base plate (unit)
37	789034009	Base plate
38	787204006	Washer (2)
39	000061205	Nut 4-3-7
40	784135006	Rubber cushion
41	000070300	Washer 5
42	784169009	Hinge screw
43	785260004	Washer

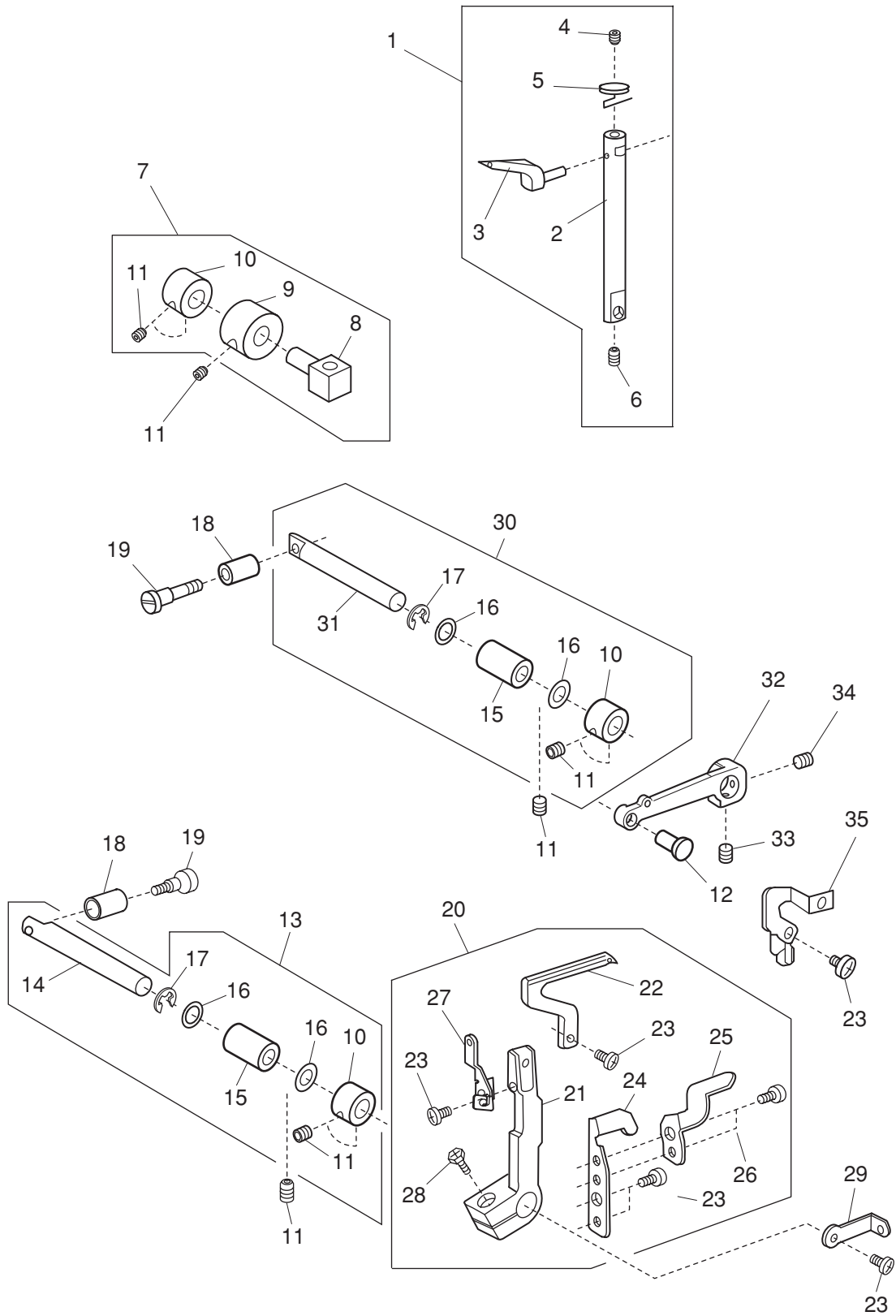
PARTS LIST



PARTS LIST

KEY NO.	PARTS NO.	DESCRIPTION
1	784027004	Needle bar upper bushing
2	000111201	H. socket screw 4x4
3	784028005	Needle bar lower bushing
4	792601003	Needle bar (unit)
5	792001007	Needle bar
6	792501002	Needle clamp (unit)
7	792003009	Needle bar thread guide
8	000078320	Setscrew 3x6
9	784157015	Needle
10	784024001	Needle bar bracket
11	787348003	Take-up lever
12	000078320	Setscrew 3x6
13	793606001	Needle bar balancer
14	789612007	Needle bar crank (unit)
15	789104001	Needle bar crank
16	000039905	Washer
17	789007003	Needle bar link
18	784022009	Link pin
19	000001609	Snap ring E-5
20	000038502	Washer
21	789008004	Needle bar crank shaft
22	000002909	Snap ring E-7
23	624245001	Ring
24	000101703	Setscrew 4x12
25	792619004	Main shaft (unit)
26	789001007	Main shaft
27	792041009	Balance weight
28	000111304	H. socket screw 5x5
29	673062004	Bushing
30	787176101	Balance weight (right)
31	000038605	Washer
32	787004107	Upper looper cam
33	792951001	Looper cam ring (unit)
34	793121007	Needle bar cam
35	793120017	Needle bar crank rod
36	784009000	Bushing
37	792037002	Balance weight (left)
38	793607150	Handwheel (unit)
39	784019210	Handwheel
40	793012004	Rubber sheet
41	556047007	Washer
42	618070004	Setscrew

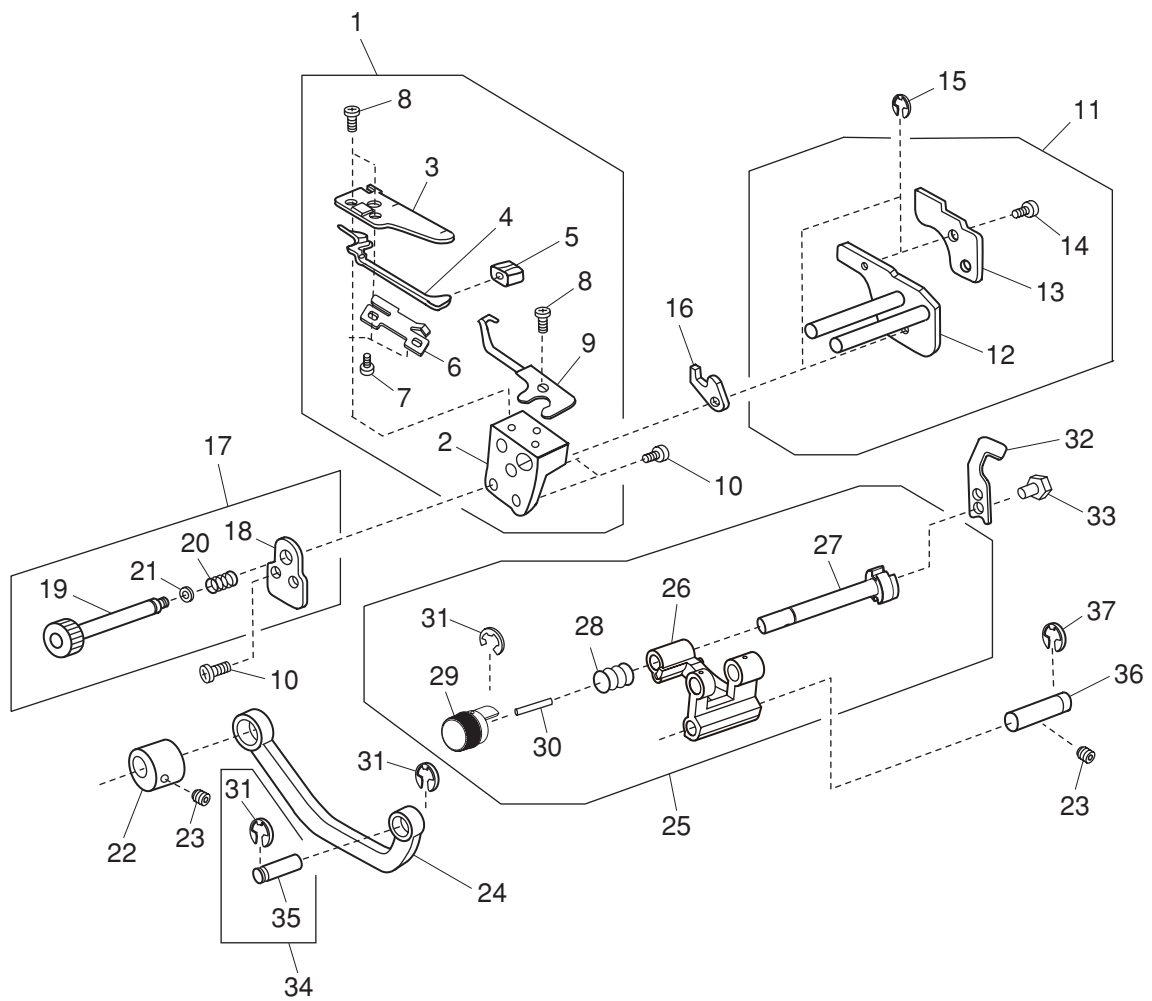
PARTS LIST



PARTS LIST

KEY NO.	PARTS NO.	DESCRIPTION
1	787618007	Upper looper shaft (unit)
2	787111005	Upper looper shaft
3	784076019	Upper looper
4	000112501	H. socket screw 4x4
5	784077009	U. looper thread guide (3)
6	000177205	H. socket screw 3x6
7	792614009	U. looper shaft guide (unit)
8	792038003	U. looper shaft guide
9	792039004	Bushing
10	792048006	Looper shaft ring
11	000111201	H. socket screw 4x4
12	789116006	Upper looper pin (unit)
13	792634005	L. looper crank shaft (unit)
14	787116000	L. looper crank shaft
15	787104005	Bushing
16	000038502	Washer
17	000002806	Snap ring E-6
18	787107101	Crank spacer
19	787108009	Crank setscrew
20	785610036	Lower looper (unit)
21	785024004	L. looper base (2)
22	784083606	Lower looper
23	000078320	Setscrew 3x6
24	787383000	Rear needle guard
25	785023003	Front needle guard
26	000099006	H. socket screw 3x4
27	784085206	L. looper thread guide (3)
28	000138008	H. socket screw 4x16
29	785010203	L. looper thread guide
30	792633004	U. looper crank shaft (unit)
31	787105006	U. looper crank shaft
32	789112002	U. looper waving arm
33	000111304	H. socket screw 5x5
34	000110107	H. socket screw 5x5 (WP)
35	788038000	Looper thread guide (L2)

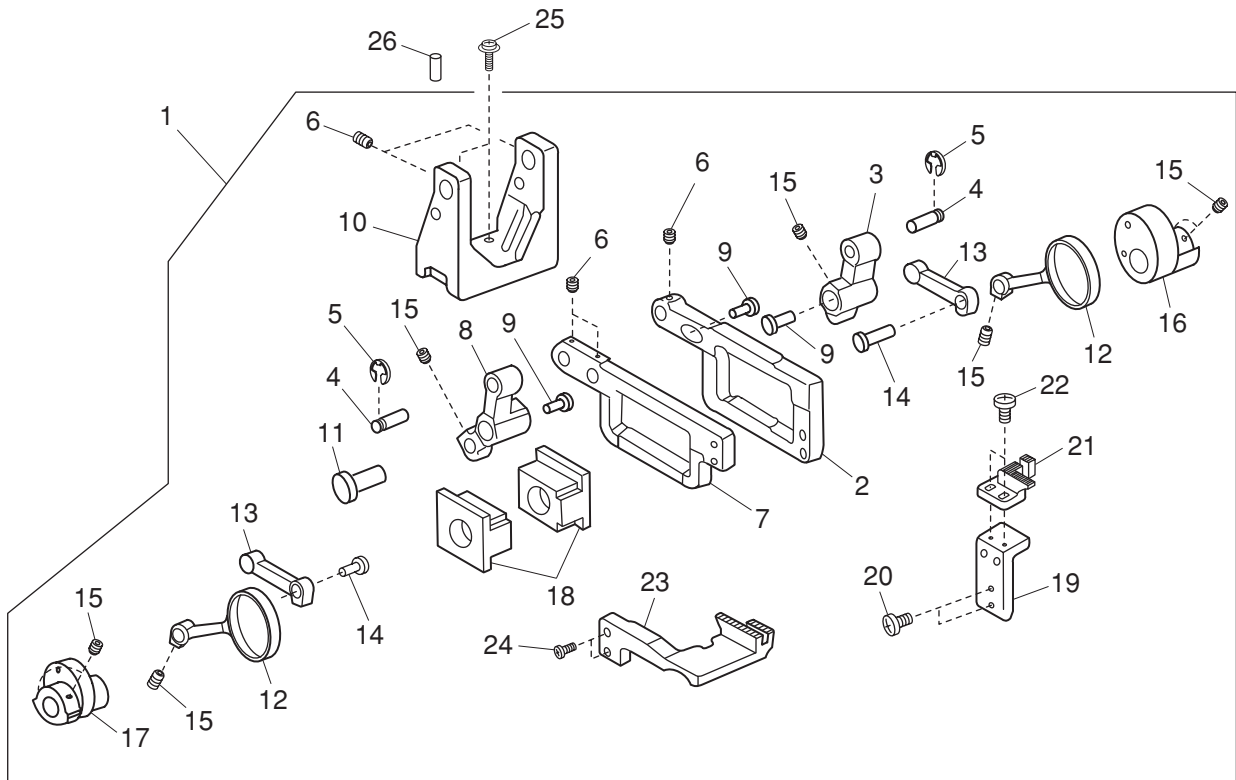
PARTS LIST



PARTS LIST

KEY NO.	PARTS NO.	DESCRIPTION
1	792613008	Chaining finger bracket (unit)
2	788015001	Chaining finger bracket
3	789106003	Chaining finger set plate
4	788017003	Chaining finger
5	787041003	Needle plate setting knob
6	788018004	Chaining finger spring
7	000074603	Setscrew 2x4-2
8	000078320	Setscrew 3x6
9	788019005	Fixed needle guard
10	000081005	Setscrew 4x8
11	792603005	Lower knife (unit)
12	792005001	Lower knife set plate
13	788013009	Lower knife
14	000102221	Setscrew 4x6
15	000001207	Snap ring E-2.5
16	788021000	Nut
17	792622000	Lower knife guide shaft (unit)
18	787046008	Guide plate
19	792007003	Lower knife guide shaft
20	787048000	Spring
21	000036500	Washer
22	788008001	Upper knife drive cam
23	000111201	H. socket screw 4x4
24	789009005	Upper knife connecting rod
25	793613414	Upper knife drive arm (unit)
26	793105407	Upper knife drive arm
27	793510007	Upper knife supporter (unit)
28	793124000	Spring
29	793130009	Upper knife knob
30	000022802	Spring pin 2x12
31	000001609	Snap ring E-5
32	788127007	Upper knife
33	624303008	H. bolt 4x6
34	793615003	Link pin (unit)
35	793129005	Link pin
36	787022101	Upper knife drive pin
37	000002909	Snap ring E-7

PARTS LIST



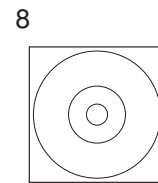
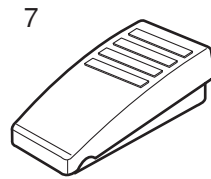
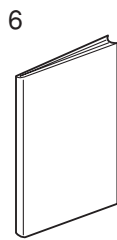
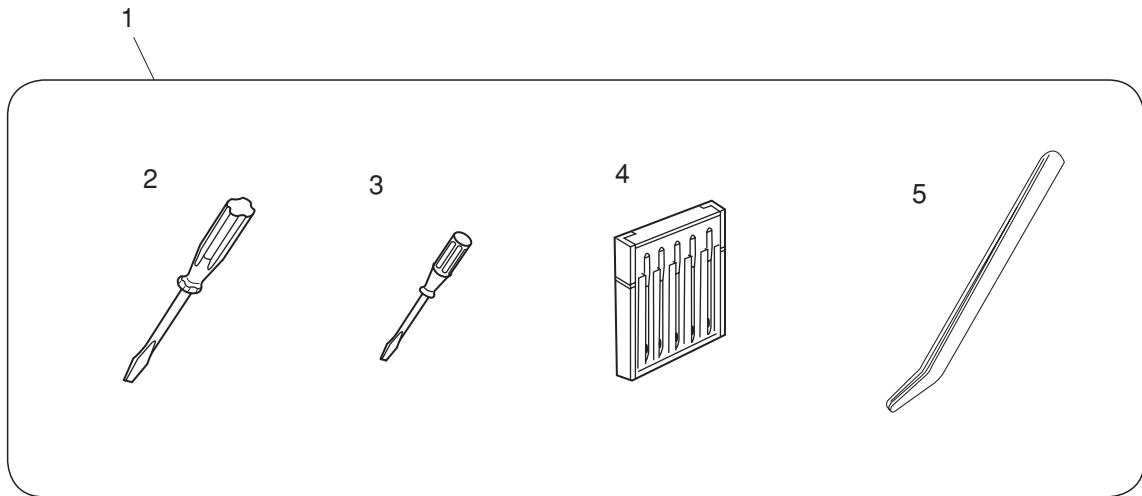
PARTS LIST

KEY NO.	PARTS NO.	DESCRIPTION
1	792604006	Feed bar (unit)
2	788022001	Main feed bar
3	787054009	Main feed bar drive arm
4	787224002	Pin
5	000002507	Snap ring E-4
6	000111902	H. socket screw 3x4
7	788024003	Sub feed bar
8	787212007	Sub feed drive arm
9	787059004	Pin
10	787305008	Feed bar base
11	787306009	Feed driving arm pin
12	787065003	Feed bar link
13	787066004	Feed rocking link
14	787068006	Pin
15	000111201	H. socket screw 4x4
16	787072003	Main feed drive cam
17	787073004	Sub feed drive cam
18	792008004	Block
19	788023002	Main feed dog bracket
20	000068811	Setscrew 3.5x10
21	788027006	Main feed dog
22	000066705	Setscrew 3x8
23	789018007	Sub feed dog
24	000104201	Setscrew 3.5x10
25	000201405	Setscrew TP 4x16
26	000005304	Spring pin 3x8

PARTS LIST

KEY NO.	PARTS NO.	DESCRIPTION
1	791625011	Feed adjuster (unit)
2	798019017	Set plate
3	792013002	Feed adjuster arm
4	785224006	Adjustable screw
5	000160102	Adjustable lock nut 4
6	000001609	Snap ring E-5
7	792014003	Differential rod
8	792011000	Spring
9	792015004	Stitch length adjusting cam
10	788036008	Differential feed adjusting cam
11	791008702	Stitch length dial
12	791008126	Differential feed dial
13	000013800	Snap ring CS-6
14	787262301	Dial cap
15	787263003	Spring
16	000081119	Setscrew 4x6
17	792605007	Main feed connecting arm (unit)
18	792040008	Main feed connecting arm
19	787266006	Feed con. plate
20	788031003	Differential feed transfer arm
21	000002105	Snap ring E-3
22	788037009	Link
23	000014306	Snap ring CS-3
24	787259006	Differential spring
25	000081005	Setscrew 4x8
26	788032107	Sub feed connecting arm
27	000111201	H. socket screw 4x4
28	789030005	Feed base cover

PARTS LIST



PARTS LIST

KEY NO.	PARTS NO.	DESCRIPTION
1	777870008	Accessory set
2	784810002	Screwdriver (large)
3	647803004	Screwdriver (small)
4	784860100	Needle case (unit)
5	624801001	Tweezers
6	789800554	Instruction book
7	C-2060	Foot controller
8	789801108	Instructional DVD
