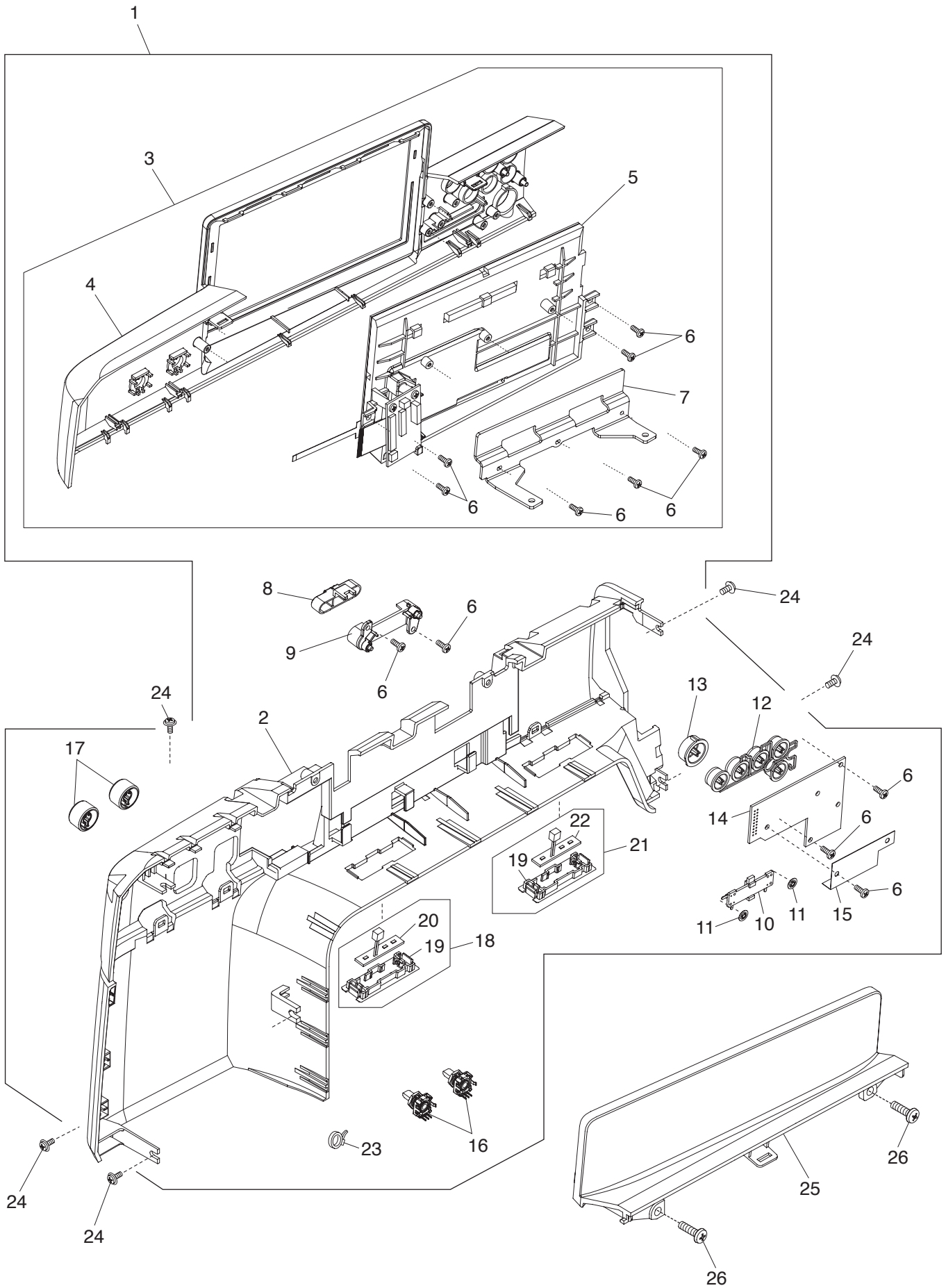


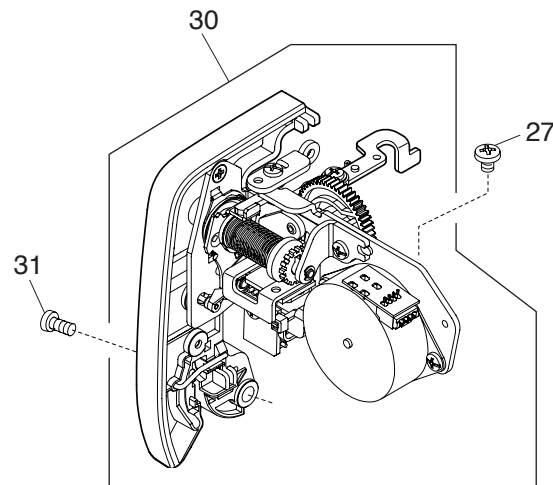
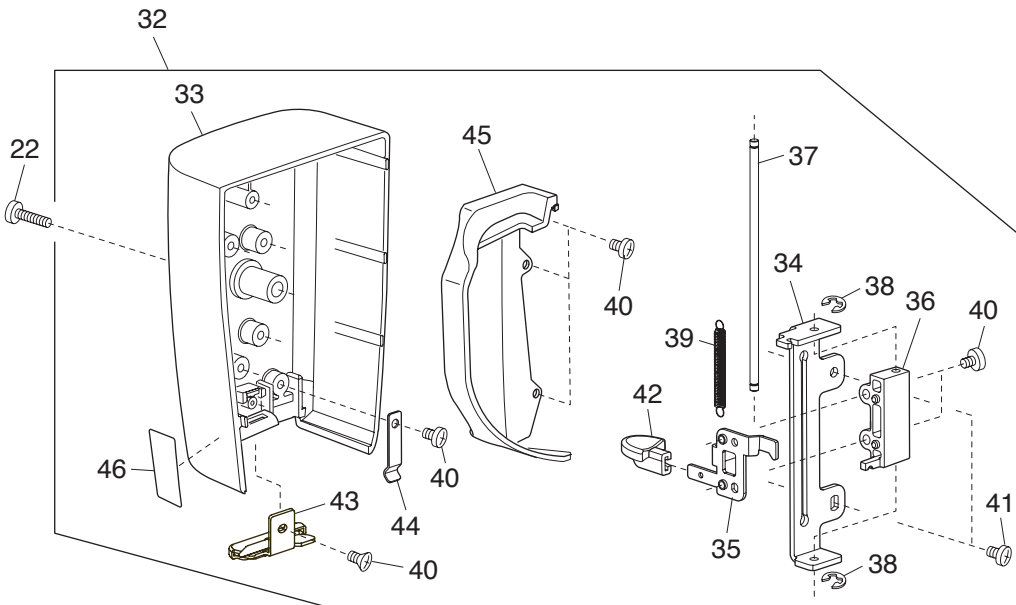
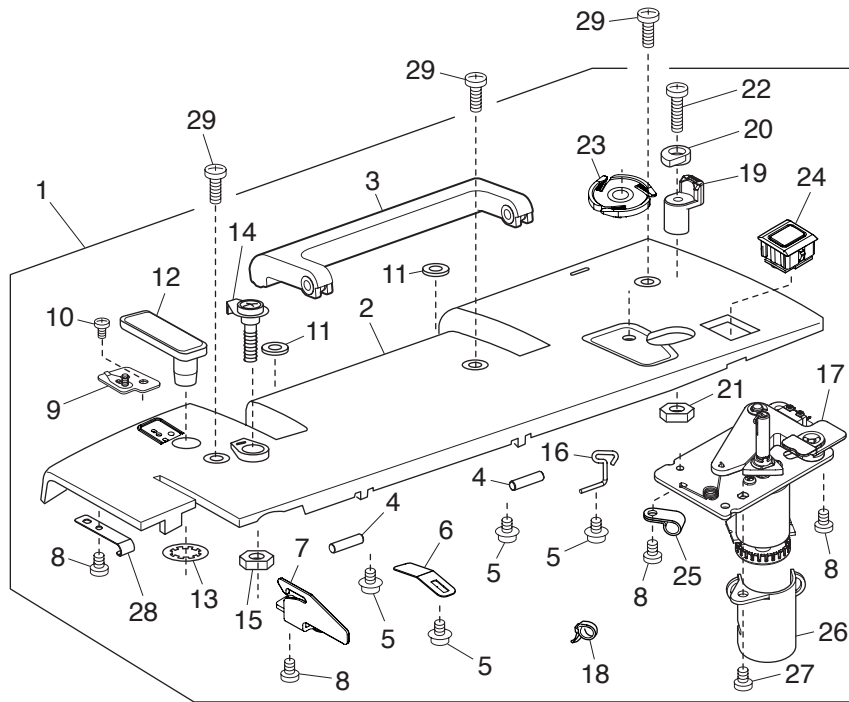
PARTS LIST



PARTS LIST

KEY NO.	PARTS NO.	DESCRIPTION
1	867643105	Front cover (unit)
2	867123A01	Front cover
3	867644106	Ornamental panel (unit)
4	867124A01	Ornamental panel 1
5	867645107	LCD case (unit)
6	000120203	Setscrew 3x8 (B)
7	867129007	LCD supporter plate
8	867125003	Speed control slider
9	867126004	Speed control slider guide
10	653507314	Slide volume (unit)
11	000014306	Snap ring CS-3
12	867130A01	Function button
13	867131A01	Start/stop button
14	867516005	Printed circuit board F (unit)
15	867171004	Light shielding sheet
16	867517006	Rotary encoder (unit)
17	866055008	Dial
18	867646005	LED cover 3 (unit)
19	867133004	LED cover 3
20	867504000	Printed circuit board L1 (unit)
21	867646108	LED cover 3 (unit)
22	867504103	Printed circuit board L1 (unit)
23	000053008	Cord binder
24	000115205	Setscrew TP 4x6
25	867132106	Ornamental panel 2
26	000198604	Setscrew 4x14 (B)

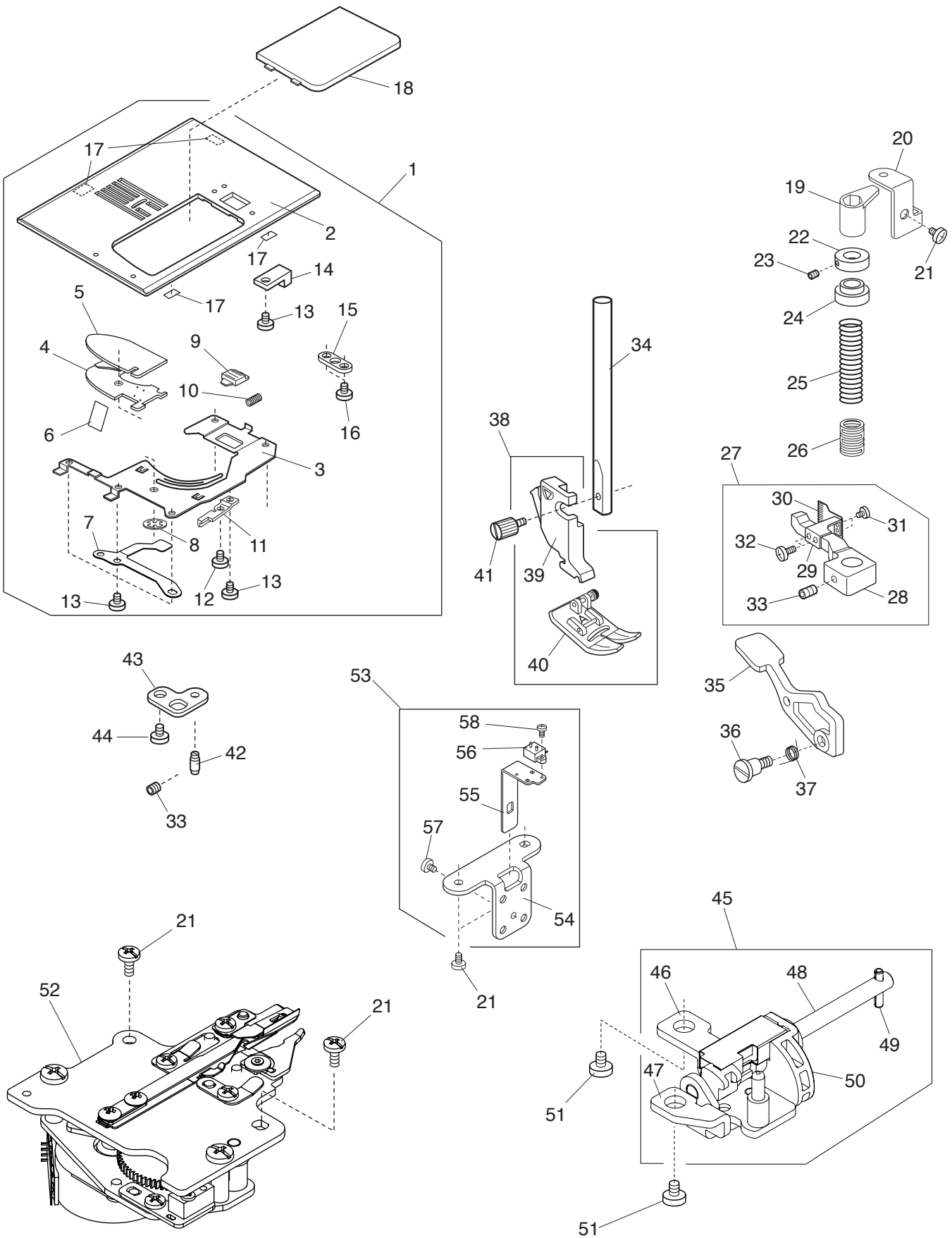
PARTS LIST



PARTS LIST

KEY NO.	PARTS NO.	DESCRIPTION
1	867649101	Top cover (unit)
2	867136A01	Top cover
3	867137008	Carrying handle
4	867139000	Carrying handle support pin
5	000115205	Setscrew TP 4x6
6	867138009	Carrying handle spring
7	867142006	Top cover thread guide (1)
8	000101404	Setscrew 4x6
9	867654006	Top cover thread guide (2) (unit)
10	000066705	Setscrew 3x8
11	767211004	Felt
12	867140004	Thread guide (unit)
13	000014409	Snap ring CS-8
14	730501011	Thread guide plate (unit)
15	000160102	Adjustable lock nut 4
16	846021003	Top cover thread guide (3)
17	867650002	Bobbin winder (unit)
18	000053008	Cord binder
19	862127000	Bobbin winder lever arm
20	846177108	Bobbin winder stopper
21	000062402	Nut 4-2-7
22	000104119	Setscrew 4x20
23	809619009	Bobbin thread cutter (unit)
24	867651003	Bobbin winder button (unit)
25	000188405	Nylon clip
26	867172002	Bobbin winder motor cover
27	000081005	Setscrew 4x8
28	867168008	Conduction plate
29	000101828	Setscrew 4x16
30	867627000	Thread tension (unit)
31	000101703	Setscrew 4x12
32	867648007	Face plate (unit)
33	867134108	Face plate
34	866074003	Threader base plate
35	866075004	Threader driving plate
36	865025006	Threader bushing
37	865026007	Threader lever shaft
38	000002301	Snap ring E-2
39	865027008	Threader lever spring
40	000078319	Setscrew 3x6
41	000103004	Setscrew 3.5x6
42	866076005	Threader lever
43	832508006	Thread cutter (unit)
44	859233000	Magnifier fixing plate
45	867135006	Thread guide cover
46	101627A05	Sticker

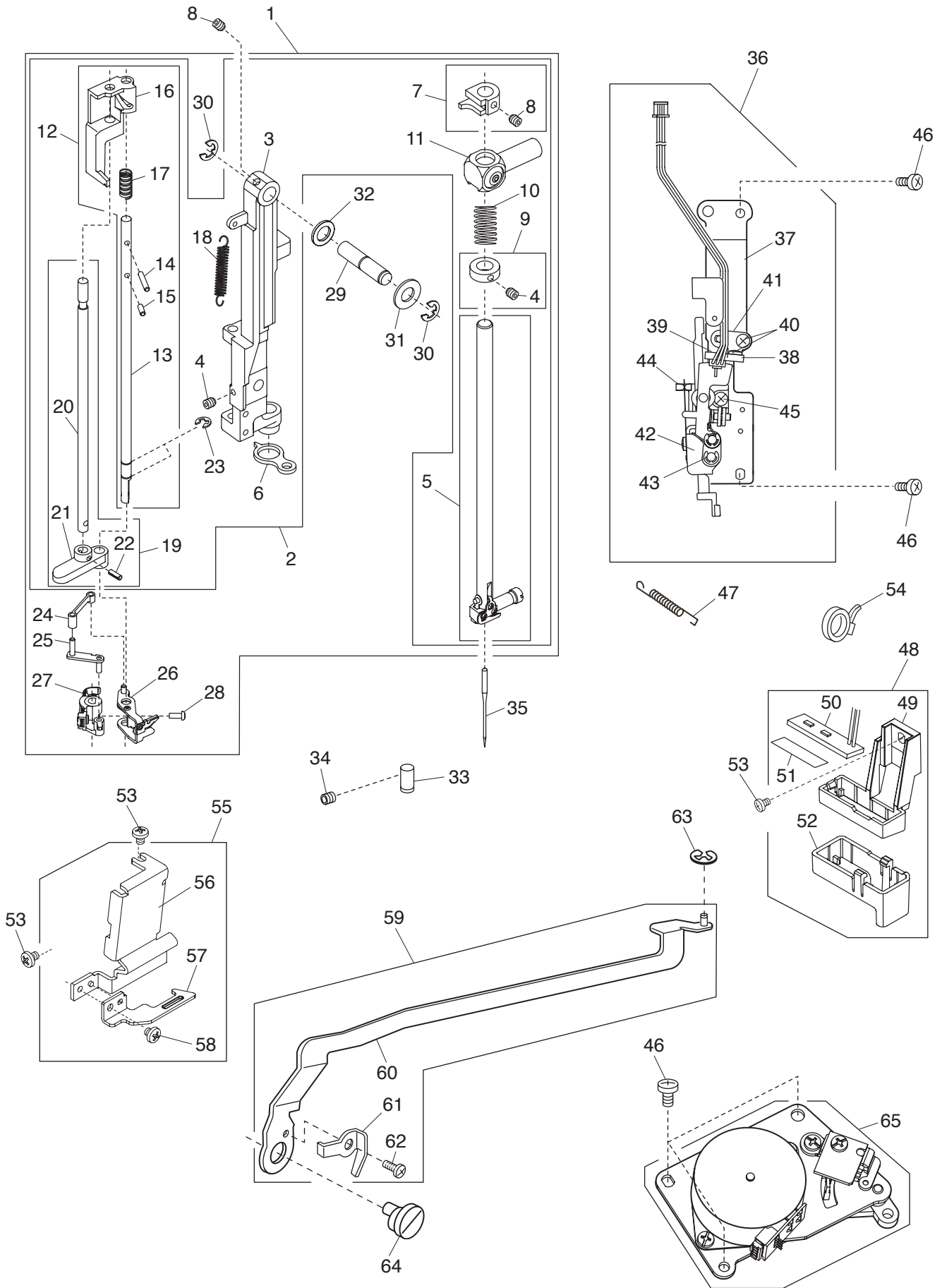
PARTS LIST



PARTS LIST

KEY NO.	PARTS NO.	DESCRIPTION
1	867642001	Needle plate (unit)
2	861013032	Needle plate
3	861014000	Hook cover plate supporter
4	809134005	Hook cover plate supporter base
5	809135006	Guide holder
6	809137008	Cutter
7	809184000	Spring
8	000014306	Snap ring CS-3
9	825016000	Hook cover plate release button
10	825017001	Spring
11	867119004	Rotation stopper
12	000163703	Setscrew 2x3.5
13	820374004	Setscrew 2x2.3
14	867120008	Needle plate sensor block
15	859271000	Needle plate supporter
16	000102807	Setscrew 2x4
17	859272104	Rubber sticker
18	809136100	Hook cover plate
19	867167007	Presser bar bushing
20	859075002	Presser bar plate
21	000081005	Setscrew 4x8
22	859076003	Presser foot lifter stopper
23	000216805	Hexagonal socket screw 3x3
24	859077004	Presser bar spring supporter
25	859078005	Presser bar spring
26	859210001	Spring supporter
27	859624002	Presser bar supporter (unit)
28	859079017	Presser bar supporter
29	859240000	Shielding plate set plate
30	859081001	Shielding plate
31	000098108	Setscrew 2x3
32	000128603	Setscrew 3x5
33	000111201	Hexagonal socket screw 4x4
34	867054000	Presser bar
35	859027010	Presser foot lifter
36	859028000	Hinge screw
37	867053009	Spring
38	859508010	Presser foot (unit)
39	859801027	Presser foot holder (unit)
40	859802006	Zigzag foot (unit)
41	858274000	Thumbscrew
42	859270009	Needle plate positioning pin
43	860003025	Needle plate nut set plate
44	810220106	Setscrew
45	867601008	Needle plate adjusting plate (unit)
46	867003004	Needle plate adjusting plate
47	867004005	Needle plate adjusting plate set plate
48	867005006	Needle plate replacing shaft
49	000004705	Spring pin 2x10
50	867006007	Needle plate replacing cam
51	810220106	Setscrew
52	867628001	Automatic Thread cutter (unit)
53	867605002	Needle plate detection (unit)
54	866010001	Needle plate detection set plate
55	867021008	Switch set plate
56	859524506	Switch (unit)
57	000101404	Setscrew 4x6
58	755096004	Setscrew

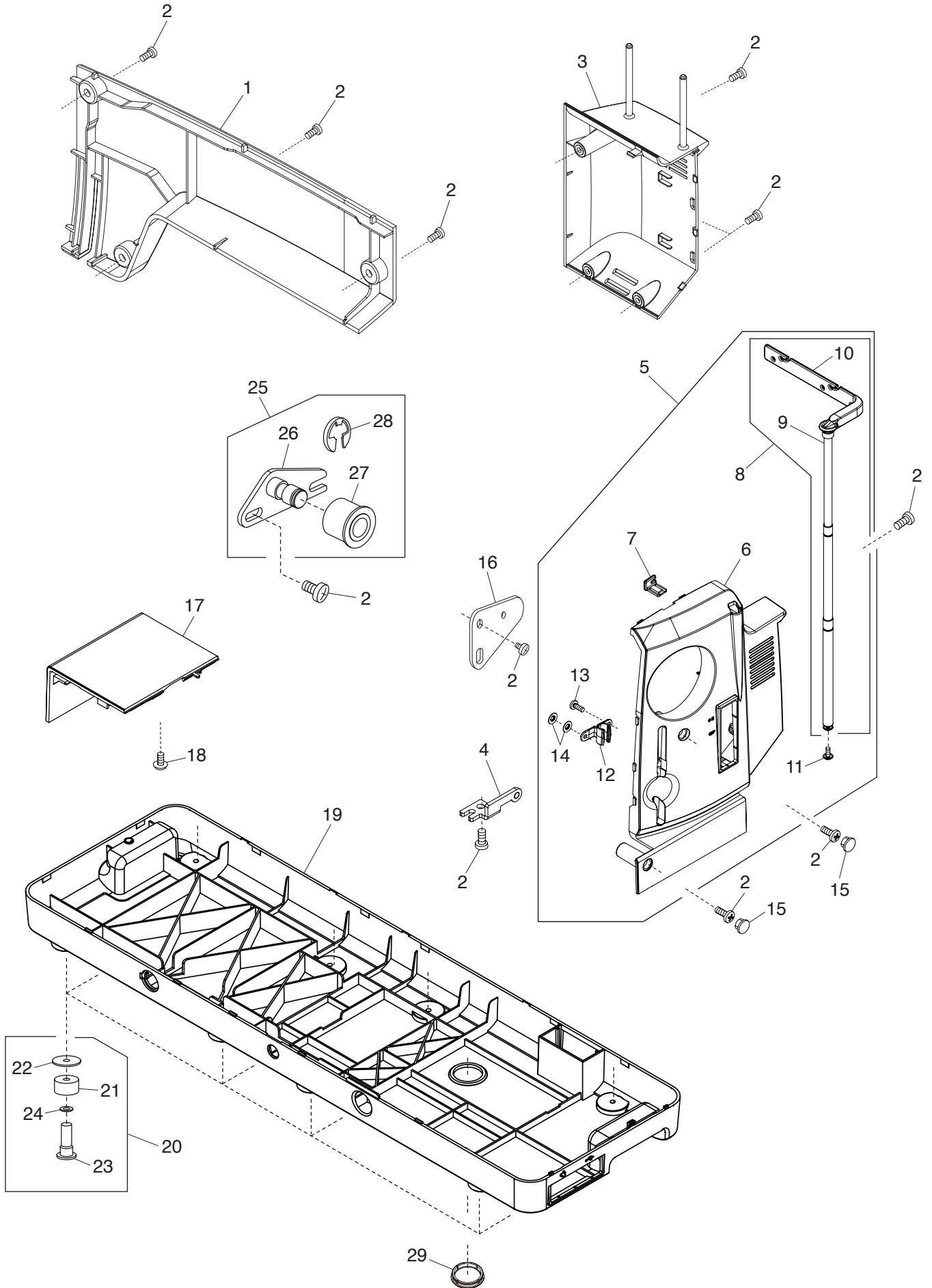
PARTS LIST



PARTS LIST

KEY NO.	PARTS NO.	DESCRIPTION
1	867621004	Needle bar supporter (whole unit)
2	867622005	Needle bar supporter (unit)
3	867056002	Needle bar supporter
4	000111902	Hexagonal socket screw 3x4
5	858538304	Needle bar (unit)
6	829027006	Supporter guide plate
7	858540000	Rotation pin stopper (unit)
8	000111201	Hexagonal socket screw 4x4
9	858541001	Threader guide ring (unit)
10	858172007	Needle bar supporter spring
11	846515009	Needle bar supporter (unit)
12	862624208	Threader shaft (unit)
13	867058004	Threader shaft
14	000265500	Guide pin 2x12-CH
15	000265603	Guide pin 2x6-CH
16	862055006	Threader arm
17	863128004	Needle threader spring
18	858258019	Needle threader return spring
19	862625209	Threader supporter shaft (unit)
20	867059005	Threader supporter shaft
21	858260003	Threader guide
22	000022204	Spring pin 2x6 (K)
23	000001207	Snap ring E-2.5
24	858265008	Link plate 1
25	858266009	Link plate 2
26	862626026	Threader guard plate (unit)
27	862627108	Hook holder (unit)
28	000230403	Setscrew 2x5
29	735144006	Needle bar supporter pin
30	000002507	Snap ring E-4
31	000070609	Washer 6
32	673022002	Washer
33	827083004	Supporter guide pin
34	000216805	Hexagonal socket screw 3x3
35	647814031	Needle
36	867624007	Front bracket (unit)
37	867064003	Front bracket
38	852502323	Printed circuit board G1 (unit)
39	853028002	Insulation sheet
40	000101105	Setscrew 3x4
41	846044002	Sensor base plate
42	808673400	Buttonhole lever (unit)
43	000002105	Snap ring E-3
44	830057021	Buttonhole lever guide
45	000103808	Setscrew 3x5
46	000081005	Setscrew 4x8
47	844038018	Needle bar supporter spring
48	867625008	LED cover 1 (unit)
49	867066005	LED cover 1
50	867520002	Printed circuit board L3 (unit)
51	867158005	Diffusion film
52	867166006	LED light shield
53	000078319	Setscrew 3x6
54	000053008	Cord binder
55	867647006	Arm thread guide (unit)
56	867068007	Arm thread guide
57	866058104	Threader guide plate
58	000097406	Setscrew 3x3
59	867626009	Zigzag width rod (unit)
60	867067006	Zigzag width rod
61	827088009	Zigzag width rod spring
62	820373003	Setscrew 2x3
63	000002105	Snap ring E-3
64	678084306	Eccentric pin
65	865616206	Zigzag width motor (unit)

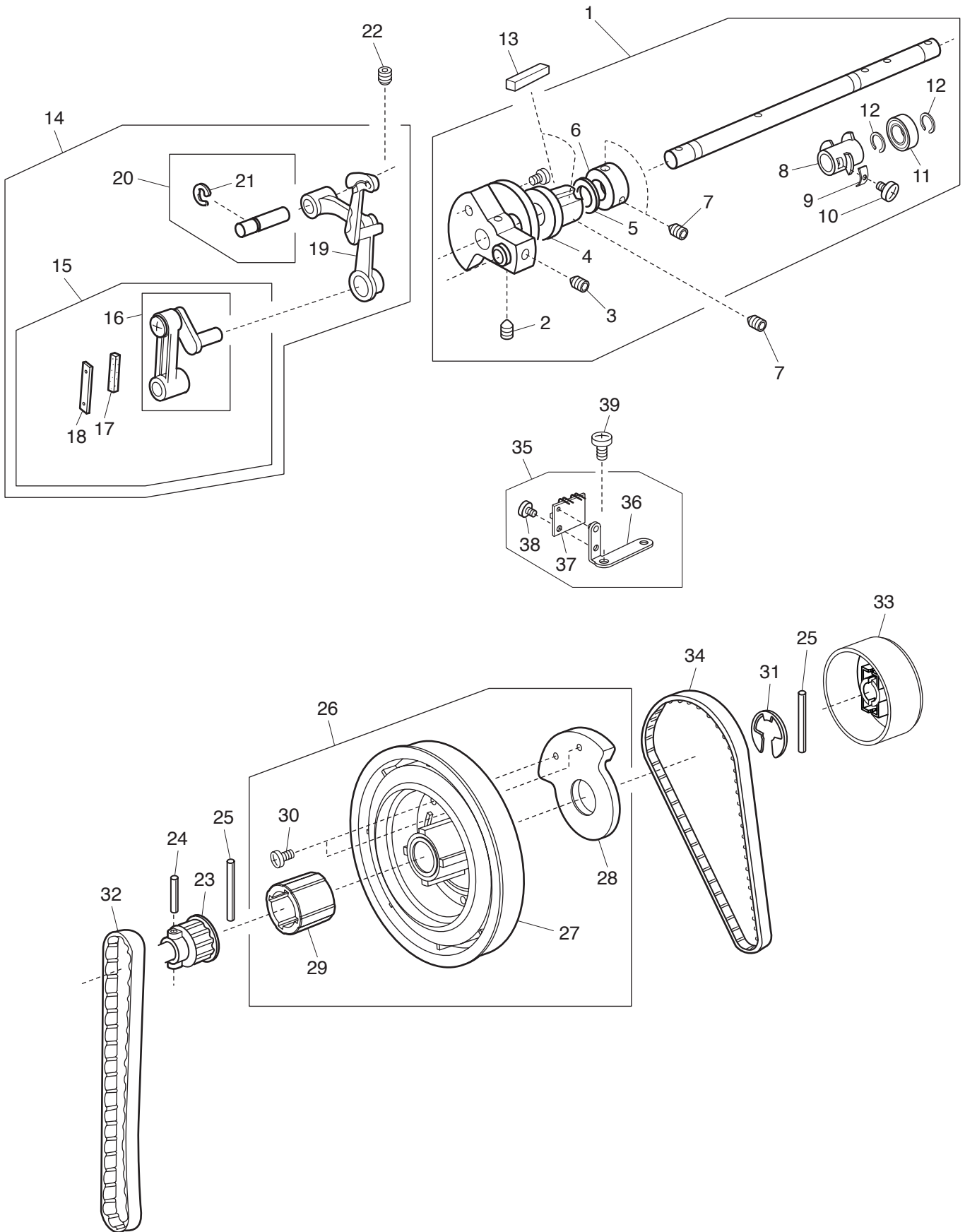
PARTS LIST



PARTS LIST

KEY NO.	PARTS NO.	DESCRIPTION
1	867122103	Rear cover
2	000081005	Setscrew 4x8
3	867146000	Power supply cover
4	867147001	Belt cover set plate
5	867652004	Belt cover (unit)
6	867148002	Belt cover
7	840602006	Thread cutter (unit)
8	867653005	Thread guide stand (unit)
9	784177000	Thread guide antenna
10	867155002	Thread guide stand
11	000115700	Setscrew TP 4x10
12	862112002	Hold clip
13	000120203	Setscrew 3x8 (B)
14	000014306	Snap ring CS-3
15	745033002	Cap
16	858114001	Belt cover set plate
17	867149003	Thread cutter cover
18	000114709	Setscrew TP 3x6
19	867150007	Base
20	866630003	Rubber foot (unit)
21	797363016	Rubber foot
22	866070009	Rubber foot washer
23	784169009	Rubber foot screw
24	000070300	Washer 5
25	867656008	Idler (unit)
26	867170003	Idler base
27	625217100	Idler
28	000002806	Snap ring E-6
29	626045407	Cap

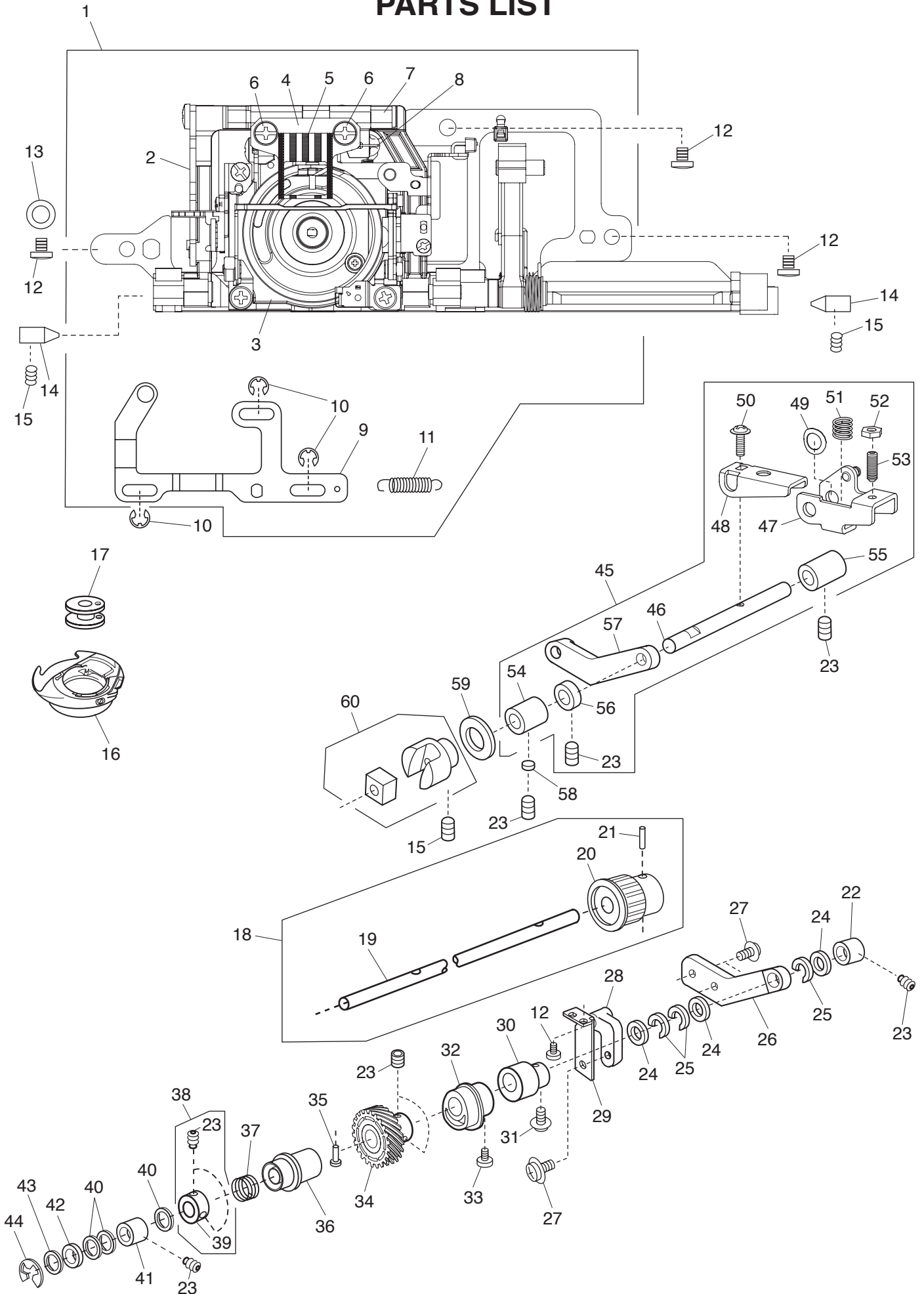
PARTS LIST



PARTS LIST

KEY NO.	PARTS NO.	DESCRIPTION
1	867602009	Upper shaft (unit)
2	000111706	Hexagonal socket screw 5x8
3	000110901	Hexagonal socket screw 5x4
4	670079304	Upper shaft front bushing
5	000040105	Washer
6	767077017	Ring
7	000111304	Hexagonal socket screw 5x5
8	862002008	Upper shaft shield plate
9	859033008	Washer
10	000080406	Setscrew 3x10
11	767178101	Ball bearing
12	000032702	Snap ring crescent
13	731312005	Felt
14	865618002	Thread take-up lever (whole unit)
15	846615103	Needle bar crank (unit)
16	843543007	Needle bar crank pin (unit)
17	650040005	Felt
18	650041006	Spring
19	820511108	Thread take-up lever (unit)
20	650626001	Thread take-up lever pin (unit)
21	000002806	Snap ring E-6
22	000111201	Hexagonal socket screw 4x4
23	858052000	Upper shaft gear
24	000004303	Spring pin 3x20
25	000024206	Spring pin 3x30
26	866628008	Belt wheel (unit)
27	858054002	Belt wheel
28	862003009	Belt wheel hold
29	866081003	Balance weight
30	000066705	Setscrew 3x8
31	000030009	Snap ring E-10
32	000279105	Syncrobelts 194XL
33	867015009	Handwheel
34	000279507	Syncrobelts 191XXL
35	861620500	Upper shaft sensor (unit)
36	861039001	Sensor set plate
37	807505500	Printed circuit board P (unit)
38	000101105	Setscrew 3x4
39	000081005	Setscrew 4x8

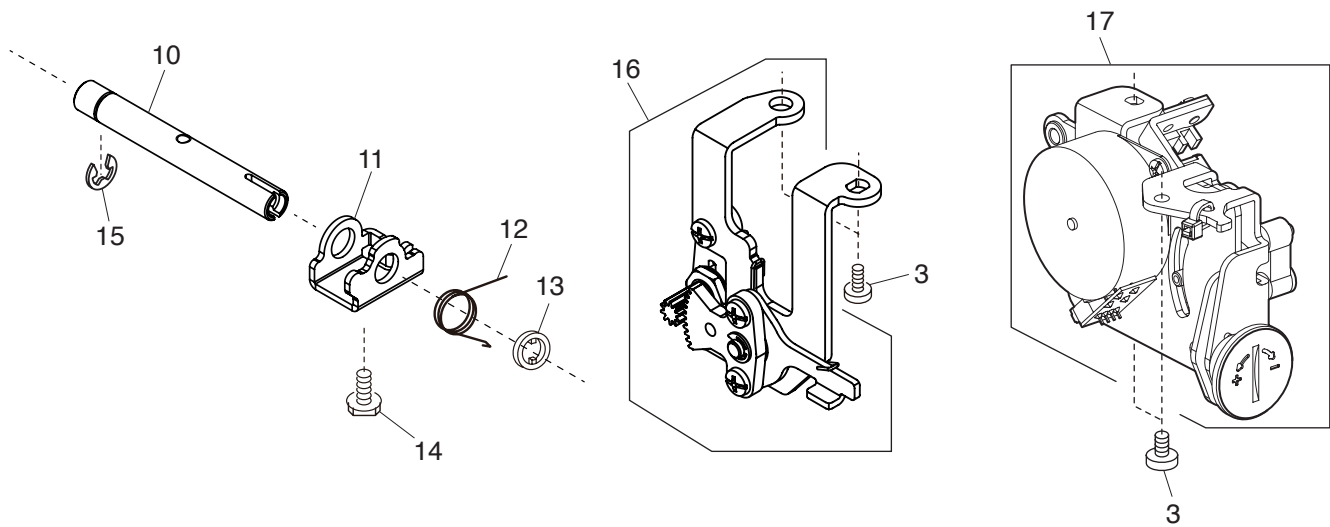
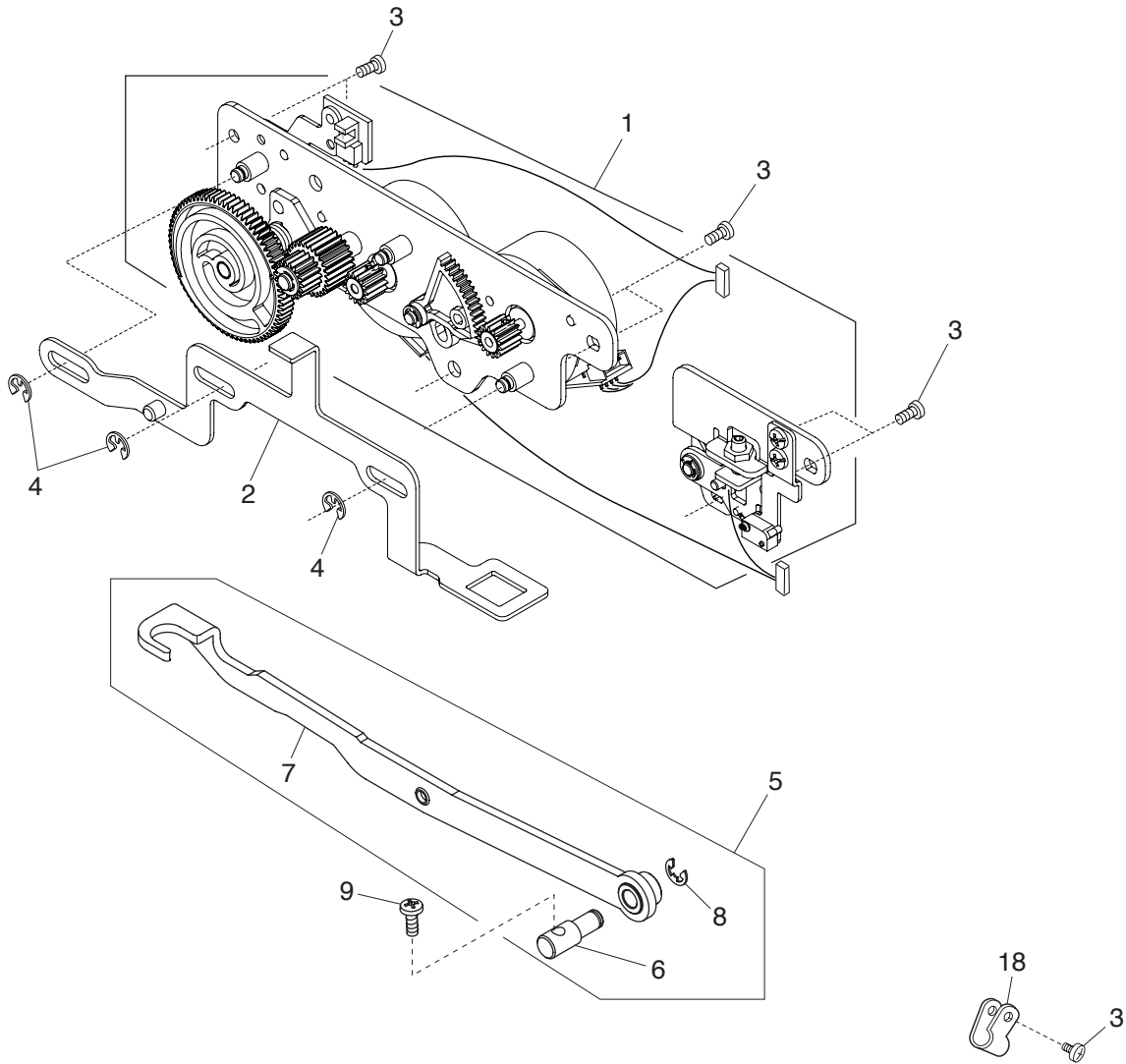
PARTS LIST



PARTS LIST

KEY NO.	PARTS NO.	DESCRIPTION
1	867606003	Feed rock shaft (whole unit)
2	867607004	Feed rock shaft (unit)
3	867609006	Hook race (unit)
4	867612002	Feed base (unit)
5	867033003	Feed dog
6	000104005	Setscrew 3.5x8
7	825099007	Feed base shaft
8	825103005	Feed base spring
9	858138001	Drop plate
10	000002105	Snap ring E-3
11	661018008	Spring
12	000081005	Setscrew 4x8
13	000070506	Washer 4
14	738055008	Straight pin
15	000111304	Hexagonal socket screw 5x5
16	867513002	Bobbin holder (unit)
17	102261103	Bobbin
18	867613003	Lower shaft (unit)
19	867035005	Lower shaft
20	650073007	Lower shaft gear
21	000004200	Spring pin 3x18
22	650079003	Lower shaft bushing (rear)
23	000111201	Hexagonal socket screw 4x4
24	822070003	Felt (1)
25	822112008	Felt holder (1)
26	858058006	Lower shaft supporter
27	000197407	Setscrew TP 4x12
28	867036006	Lower shaft supporter
29	867037007	Lower shaft supporter mount
30	846379009	Feed cam
31	000149600	Setscrew 3x14
32	866015006	Feeding lever cam
33	000078319	Setscrew 3x6
34	808137005	Lower shaft gear
35	820161006	Feed lifting pin
36	846103000	Feed lifting cam
37	825093001	Feed lifting cam spring
38	820672005	Lower shaft ring (unit)
39	820166001	Lower shaft ring
40	000038502	Washer
41	858060001	Lower shaft bushing (front)
42	735143005	Felt
43	858177002	Lower shaft washer
44	000002806	Snap ring E-6
45	867604001	Feed shaft (unit)
46	867019003	Feed shaft
47	858129009	Feed arm 1
48	858130003	Feed arm 2
49	810207004	Washer
50	000201302	Setscrew TP 3x10
51	589040002	Spring
52	000160102	Adjustable lock nut 4
53	000177401	Hexagonal socket screw 4x12
54	625144002	Feed shaft bushing (front)
55	650092002	Feed shaft bushing (rear)
56	820387000	Ring
57	867020007	Feed shaft support
58	650175000	Cushion
59	823110009	Felt
60	625508008	Feed regulator (unit)

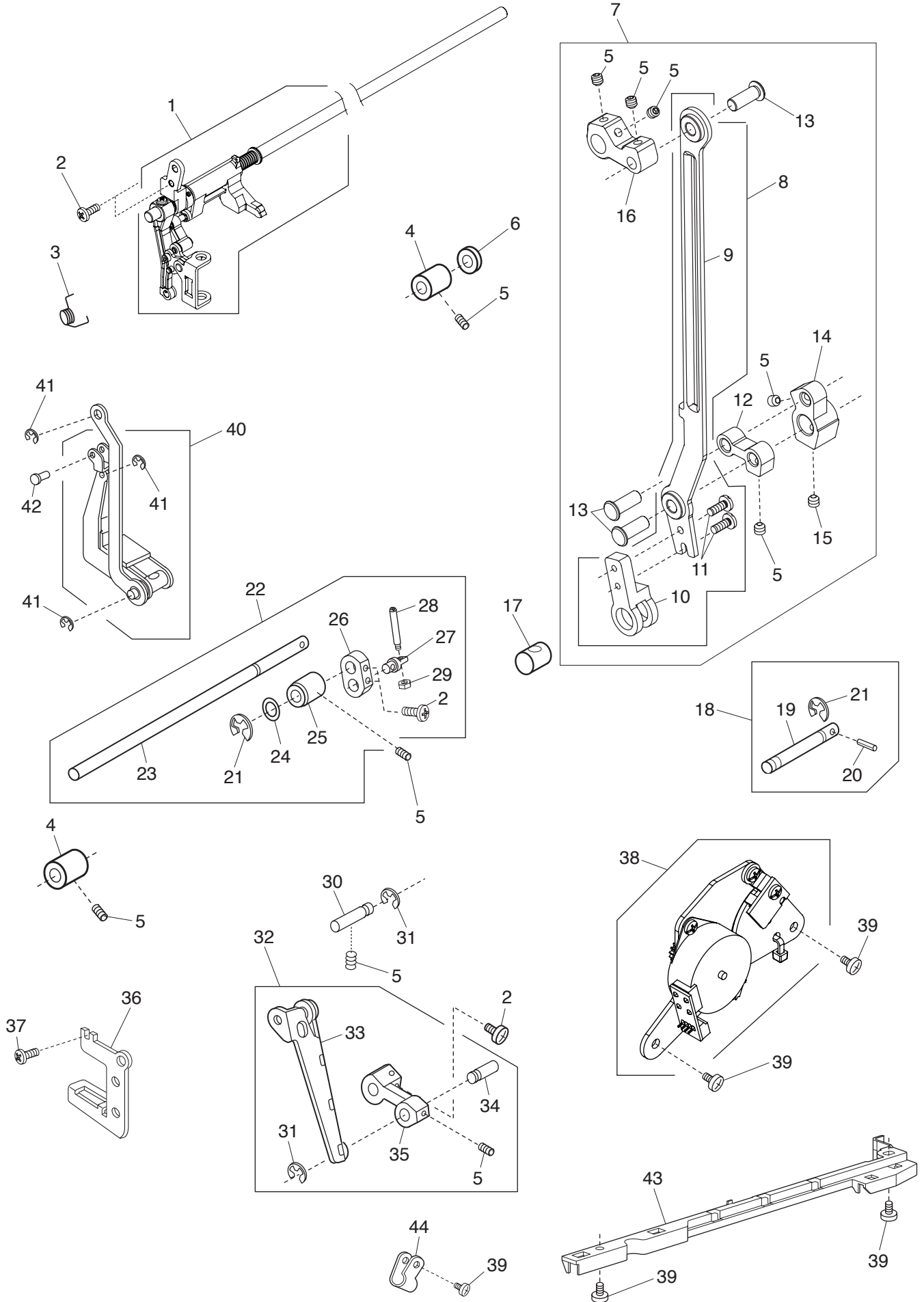
PARTS LIST



PARTS LIST

KEY NO.	PARTS NO.	DESCRIPTION
1	867623006	Presser foot lifter motor (unit)
2	867062001	Withdrawal rod
3	000081005	Setscrew 4x8
4	000002105	Snap ring E-3
5	863639003	Presser foot lifter shaft (unit)
6	859069003	Presser foot lifter shaft
7	859070007	Automatic presser foot lifter lever
8	000002507	Snap ring E-4
9	000101703	Setscrew 4x12
10	867016000	Knee lifter shaft
11	867017001	Knee lifter stopper
12	859022004	Knee lifter stopper spring
13	846297002	Knee lifter slip guard
14	000138503	Hexagonal socket screw 5x12
15	000002208	Snap ring E-9
16	867603000	Knee lifter sensor (unit)
17	866605102	Feed motor (unit)
18	000188209	Nylon clip

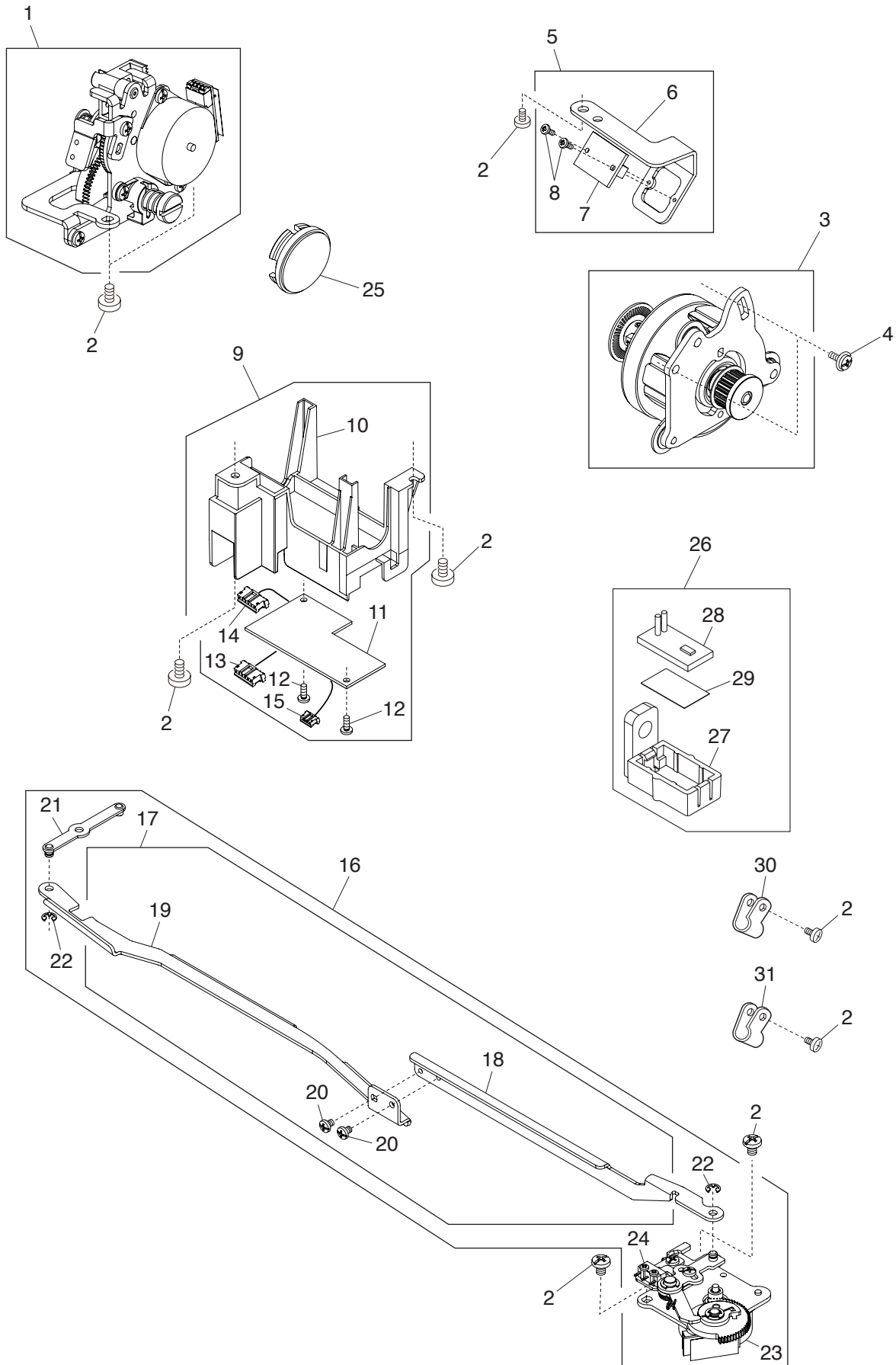
PARTS LIST



PARTS LIST

KEY NO.	PARTS NO.	DESCRIPTION
1	867614004	Upper feed upper shaft (unit)
2	000103509	Setscrew 4x10
3	867045008	Spring
4	784071003	Looper shaft bushing
5	000111201	Hexagonal socket screw 4x4
6	822070003	Felt (1)
7	867616006	Upper feed adjusting arm (unit)
8	867617007	Upper feed connecting link (unit)
9	867043006	Upper feed connecting link
10	846307006	Connecting link
11	000066705	Setscrew 3x8
12	846349000	Upper feed adjusting link
13	820144003	Pin
14	846350004	Upper feed adjusting arm (1)
15	000111304	Hexagonal socket screw 5x5
16	867044007	Upper feed upper shaft rear arm
17	846348009	Rear arm feed lifting roller
18	867618008	Upper feed adjusting shaft (unit)
19	867046009	Upper feed adjusting shaft
20	000004303	Spring pin 3x20
21	000002806	Snap ring E-6
22	867619009	Upper feed lower shaft (unit)
23	867047000	Upper feed lower shaft (1)
24	000038502	Washer
25	846303002	Upper feed lower shaft bushing
26	867048001	Upper feed lower shaft middle arm
27	867049002	Upper feed lower shaft (2)
28	867050006	Upper feed lower shaft rear arm
29	000061102	Nut 4-1-7
30	502258109	Connecting pin
31	000002507	Snap ring E-4
32	858623008	Feed connecting link (unit)
33	858068009	Feed connecting link
34	502258006	Connecting pin
35	846304106	Upper feed lower shaft front arm
36	867038008	Feed lifting adjusting plate (2)
37	000101105	Setscrew 3x4
38	867620003	Upper feed regulator (unit)
39	000081005	Setscrew 4x8
40	859627119	Upper feed foot (unit)
41	000002105	Snap ring E-3
42	846327002	Pin (1)
43	865041008	Cord guide (free arm)
44	000188209	Nylon clip

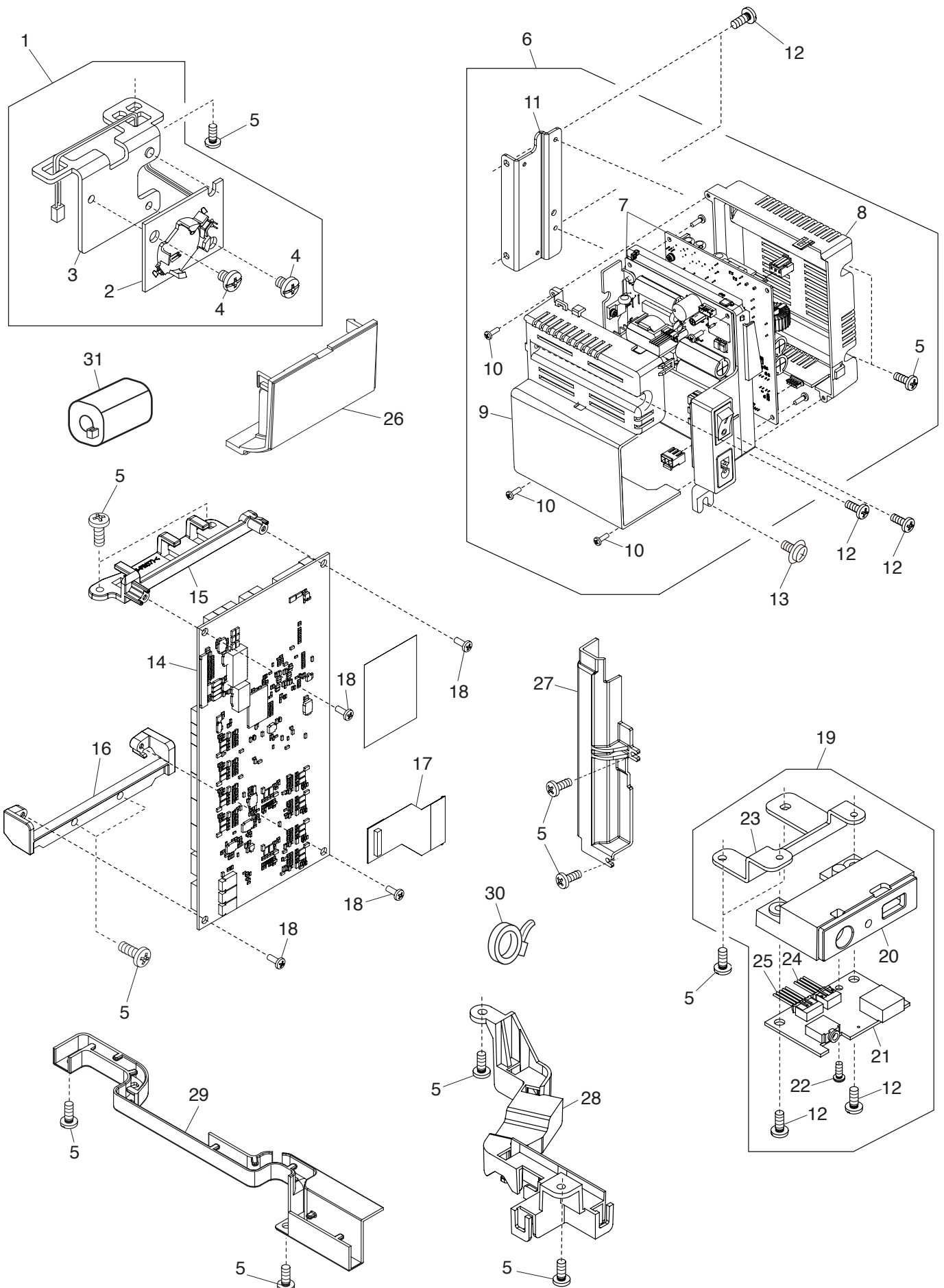
PARTS LIST



PARTS LIST

KEY NO.	PARTS NO.	DESCRIPTION
1	867631007	Needle plate removing motor (unit)
2	000081005	Setscrew 4x8
3	867634000	Brushless DC motor (unit)
4	000115607	Setscrew TP 4x8
5	867635001	Printed circuit board V (unit)
6	867100002	P.C.B. set plate
7	867525007	Motor harness (unit)
8	000170600	Setscrew 2x5
9	867636002	Printed circuit board U (unit)
10	867102004	Cord guide 2
11	867507003	Printed circuit board U
12	000120203	Setscrew 3x8 (B)
13	867526008	Relay harness (24P)
14	867527009	Relay harness (20P)
15	867536001	Relay harness (4P)
16	867629002	Feed dog drop motor (unit)
17	867655007	Drop rod (unit)
18	867159006	Drop rod 1
19	867160000	Drop rod 2
20	000101105	Setscrew 3x4
21	858139002	Drop connecting plate
22	000002105	Snap ring E-3
23	811510006	Stepping motor (unit)
24	867630006	Feed dog drop switch (unit)
25	867151008	Needle plate replacing motor cover
26	867640009	LED cover 2 (unit)
27	867113008	LED cover 2
28	867511000	Printed circuit board L2 (unit)
29	867165005	Diffusion film 2
30	000188003	Nylon clip ACC-1
31	000188209	Nylon clip ACC-1.5

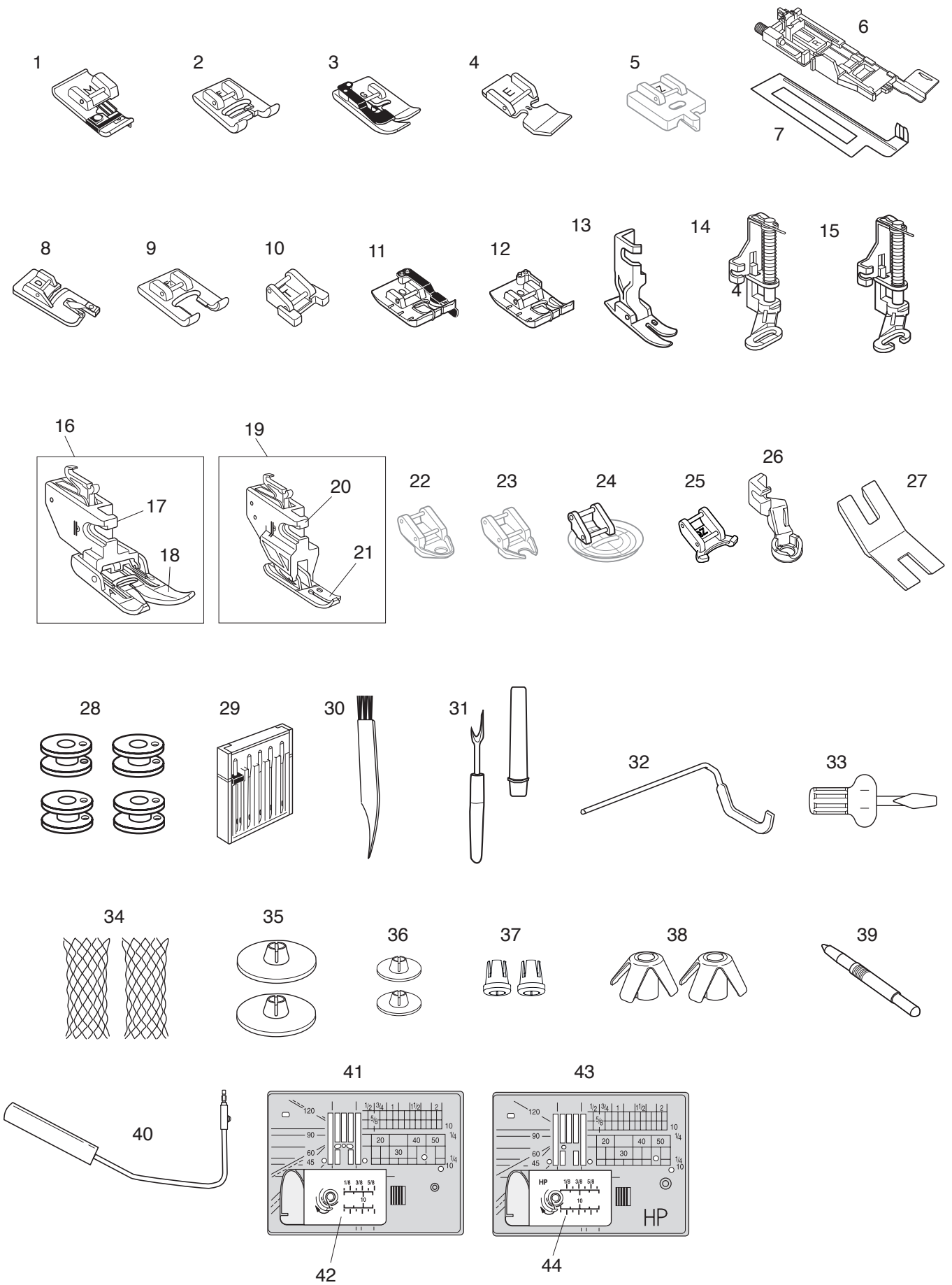
PARTS LIST



PARTS LIST

KEY NO.	PARTS NO.	DESCRIPTION
1	867638004	Printed circuit board D (unit)
2	867509005	Printed circuit board D
3	867105007	Battery set plate board
4	000103705	Setscrew 4x5
5	000081005	Setscrew 4x8
6	867639108	Switching power supply (unit)
7	867510009	Switching power supply
8	867111006	Switching power supply case 2
9	867112007	Switching power supply case 3
10	000161206	Setscrew 3x10 (B)
11	867109001	Heat sink
12	000103509	Setscrew 4x10
13	000115607	Setscrew TP 4x8
14	867402007	Printed circuit board A
15	867114009	A board set plate 1
16	867115000	A board set plate 2
17	867532100	Flexible board (unit)
18	000120203	Setscrew 3x8 (B)
19	867637003	Printed circuit board B case (unit)
20	867103005	Printed circuit board B case
21	867508004	Printed circuit board B (unit)
22	000107307	Setscrew 3x8 (B)
23	867104006	B board case set plate
24	867528000	Relay harness
25	867529104	Switching power supply harness
26	867152009	Base cover
27	867117002	Belt cord guide
28	867101003	Cord guide 1
29	867116001	Cord guide 3
30	000053008	Cord binder
31	867539004	Ferrite core

PARTS LIST

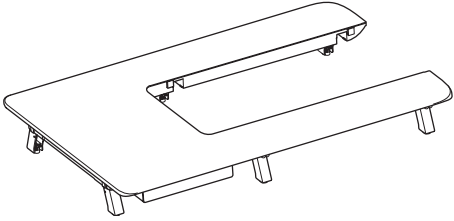


PARTS LIST

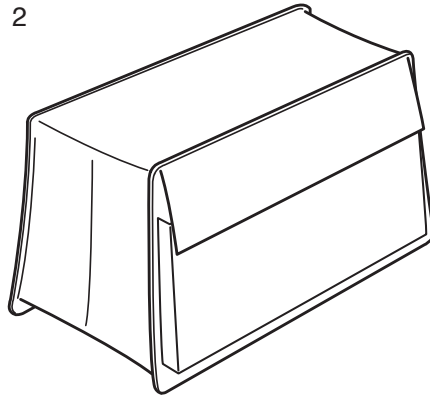
KEY NO.	PARTS NO.	DESCRIPTION
1	859810007	Overedge foot M
2	859806011	Satin stitch foot F
3	859807001	Blind hemming foot G
4	859805009	Zipper foot E
5	859815002	Concealed zipper foot Z
6	862822013	Automatic buttonhole foot R
7	859832016	Stabilizer plate
8	859804008	Rolled hem foot D
9	859813000	Open toe satin stitch foot F2
10	859811008	Button sewing foot T
11	859814012	1/4" seam foot O
12	202313104	1/4" seam foot O (without guide)
13	865803006	Professional grade foot HP
14	859839002	Darning foot PD-H
15	859839013	Darning foot (open-toe) PD-H
16	859819017	Dual feed foot AD (unit)
17	859817015	Dual feed foot holder
18	859819109	Dual feed foot AD (twin)
19	865522008	AcuFeed flex professional grade foot HP2
20	865516009	AcuFeed flex professional grade foot holder
21	865523009	AcuFeed flex professional grade foot
22	859836009	Free motion quilting closed-toe foot QC
23	859837000	Free motion quilting open-toe foot QO
24	859812009	Free motion quilting zigzag foot QV
25	862895006	Variable zigzag open-toe foot QZ
26	862896007	Ruler work foot QR
27	832820007	Button shank plate
28	102261103	Bobbin
29	859856005	Needle set
30	802424004	Lint brush
31	647808009	Seam ripper (Buttonhole opener)
32	755802001	Quilting guide bar
33	820832005	Screwdriver
34	624806006	Net
35	822020503	Spool holder (large)
36	822019509	Spool holder (small)
37	862408008	Spool holder (special)
38	770850001	Spool rest
39	860194002	Touch panel stylus
40	846417011	Knee lifter
41	867802001	Straight stitch needle plate
42	809136100	Hook cover (Straight stitch needle plate)
43	867803002	Professional grade needle plate HP
44	809136A01	Hook cover (Professional grade needle plate)

PARTS LIST

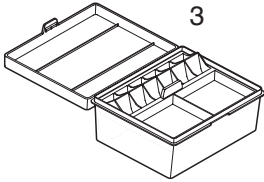
1



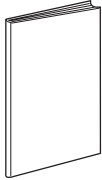
2



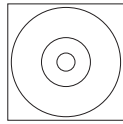
3



4



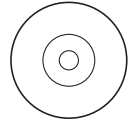
5



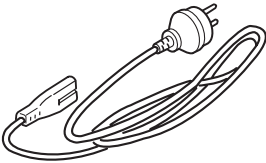
6



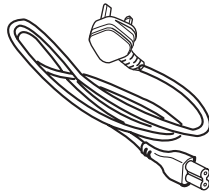
7



8 (Australia)



8 (UK)



8 (Continental Europe)



PARTS LIST

KEY NO.	PARTS NO.	DESCRIPTION
1	867806005	Extension table
2	867801000	Semi-hard fabric cover
3	866801007	Accessory box
4	867800009	Instruction book (English)
	867800010	Instruction book (French)
	867800021	Instruction book (German)
5	867805004	Instructional DVD
6	858801002	Caution card
7	867804003	PC-Application Pack
8	830314018	Power cable (Australia)
	830377008	Power cable (UK)
	830335004	Power cable (Continental Europe)