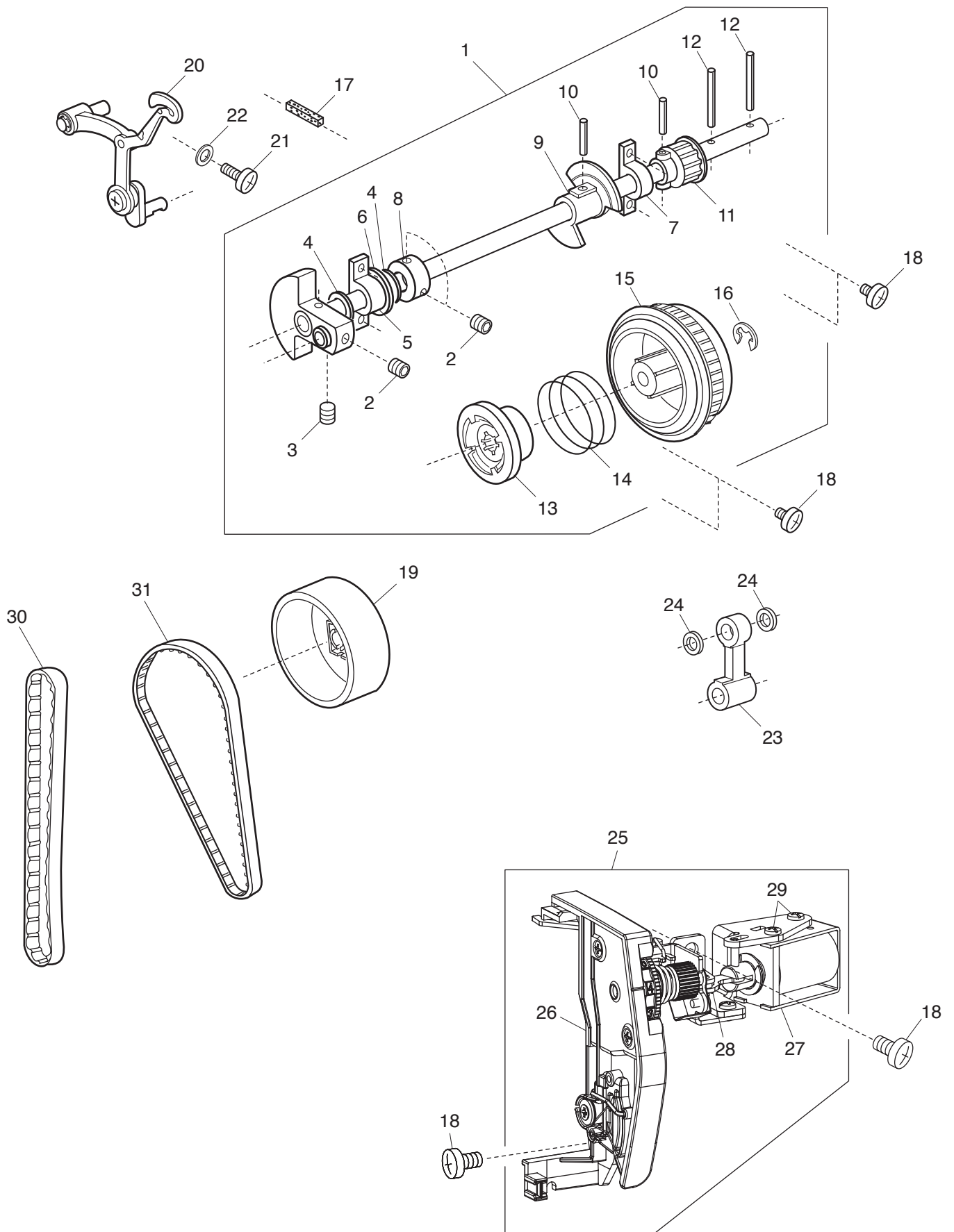


PARTS LIST

MODEL: DC6100

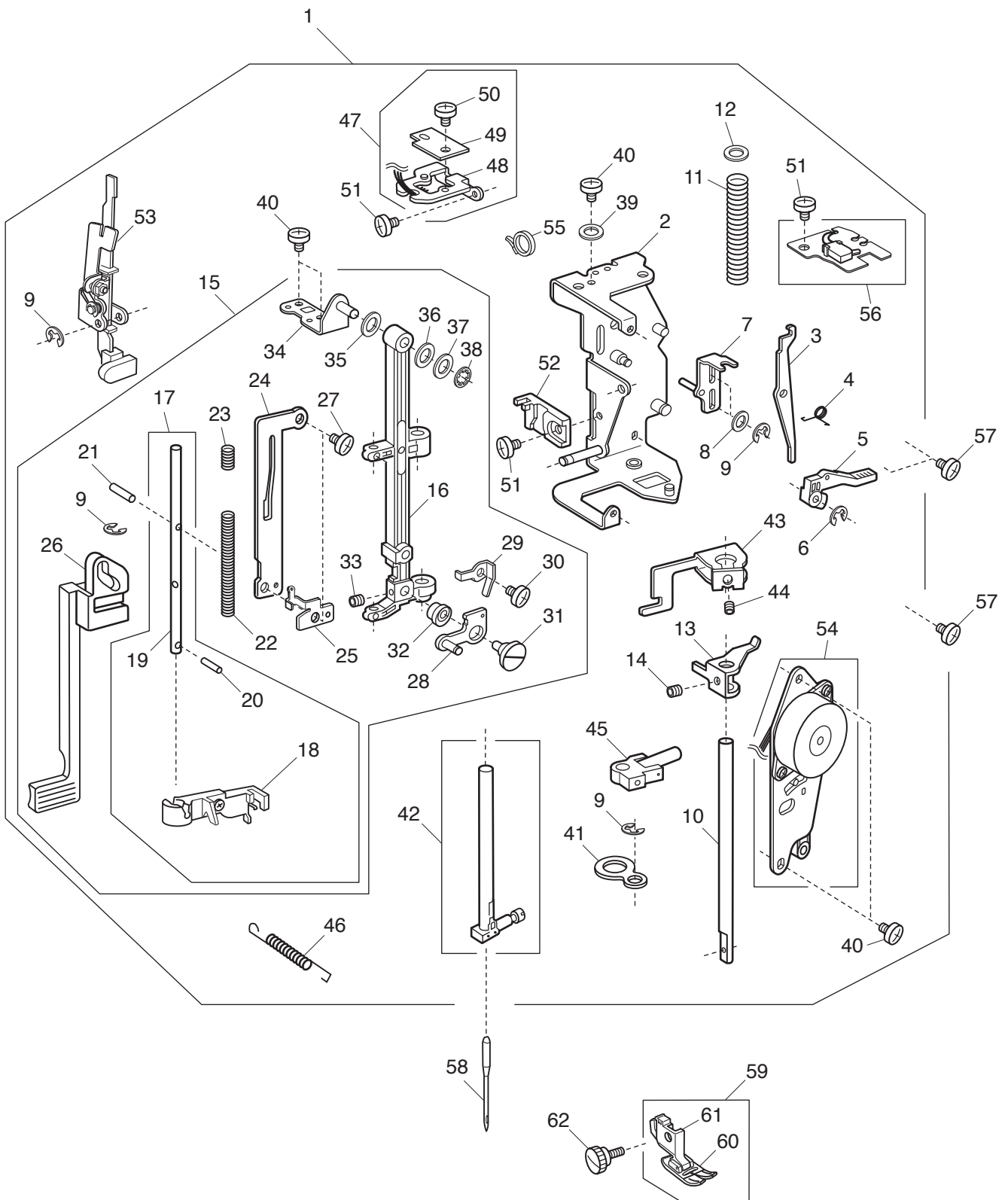
PARTS LIST



PARTS LIST

KEY NO.	PARTS NO.	DESCRIPTION
1	808601005	Upper shaft (unit)
2	000111201	Hexagonal socket screw 4x4
3	000112800	Hexagonal socket screw 4x6
4	000036201	Washer FT80
5	508120006	Shaft fixing metal
6	823110009	Felt
7	508054101	Shaft fixing metal
8	820166001	Lower shaft ring
9	808003001	Upper shaft shielding plate
10	000004200	Spring pin 3x18
11	508021006	Upper shaft gear
12	000024206	Spring pin 3x30
13	502064003	Clutch ring
14	661024007	Clutch spring
15	508055009	Belt wheel
16	000002806	Snap ring E-6
17	650040005	Felt
18	000081005	Setscrew 4x8
19	508056000	Handwheel
20	808648107	Thread take-up lever (unit)
21	000103509	Setscrew 4x10
22	000072302	Washer 4
23	808005003	Needle bar crank rod
24	000036005	Washer FT60
25	811606000	Thread tension (unit)
26	811511007	Thread tension
27	808604101	Solenoid (unit)
28	000002105	Snap ring E-3
29	000101105	Setscrew 3x4
30	808037004	Syncro belt S5M
31	808021108	Timing belt 120

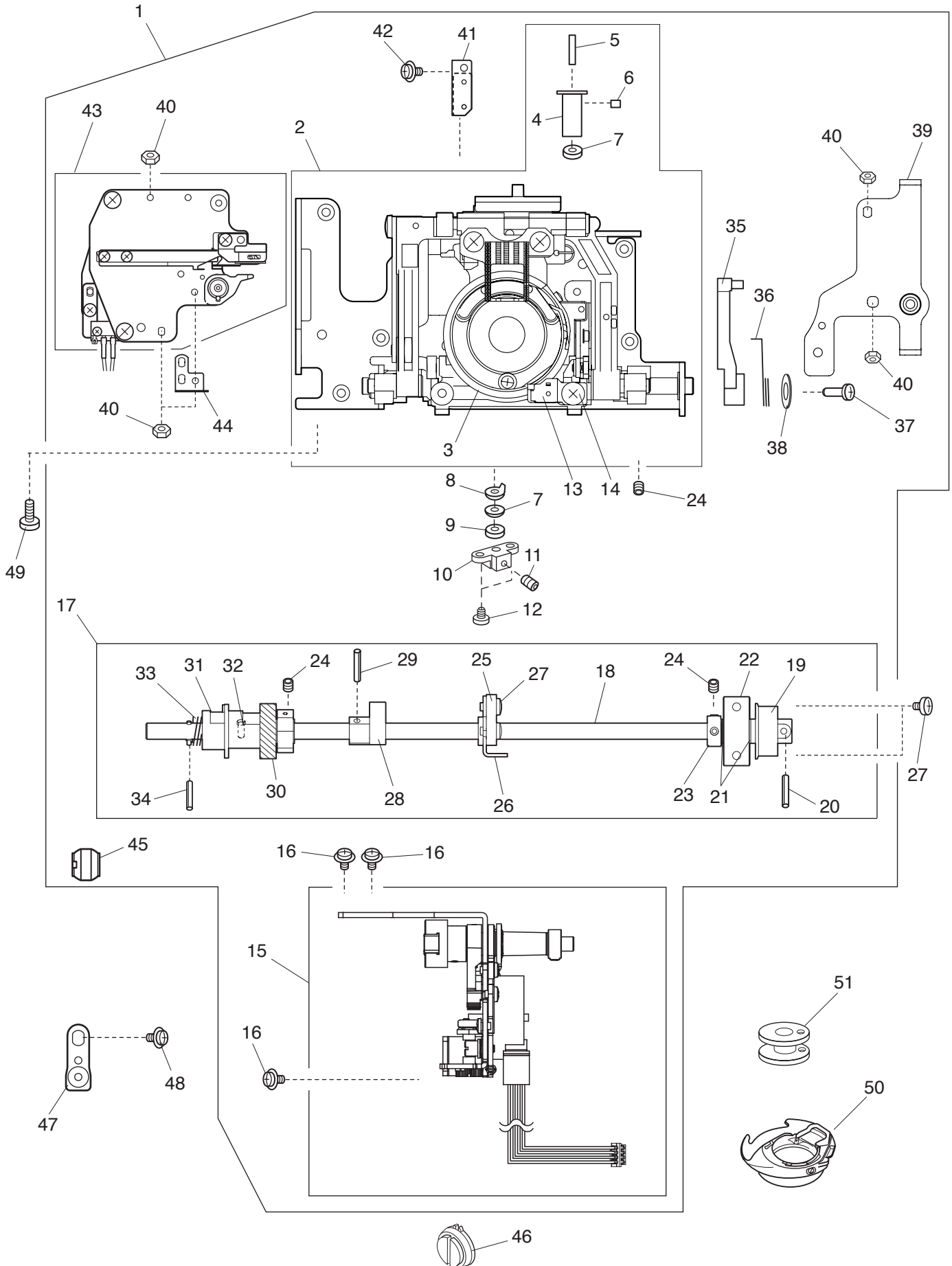
PARTS LIST



PARTS LIST

KEY NO.	PARTS NO.	DESCRIPTION
1	809614174	Presser bar base plate (unit)
2	808006406	Presser bar base plate
3	808007005	Thread tension release lever
4	503041007	Thread tension release spring
5	502024001	Presser foot lifter
6	000001609	Snap ring E-5
7	809128006	Presser bar spring adjusting plate
8	000072508	Washer 4
9	000002105	Snap ring E-3
10	827021107	Presser bar
11	830030006	Presser bar spring
12	826055004	Washer
13	502026003	Presser bar supporter
14	000111500	Hexagonal socket screw 4x8
15	809615016	Needle bar supporter (unit)
16	809129007	Needle bar supporter
17	842637028	Threader shaft (unit)
18	846588014	Threader plate (unit)
19	840036025	Threader shaft
20	000003508	Spring pin 2x8
21	000125105	Guide pin E-2x16-CH
22	842090001	Threader shaft spring
23	842096007	Threader lever spring
24	842091002	Threader guide plate
25	844036027	Threader lever plate
26	842092003	Threader lever
27	000078319	Setscrew 3x6
28	808015006	Zigzag width rod
29	827088009	Zigzag width rod spring
30	820373003	Setscrew 2x3
31	678084007	Eccentric pin
32	808074003	Washer
33	000111902	Hexagonal socket screw 3x4
34	808009007	Supporter adjusting plate
35	000036500	Washer FT60
36	673022002	Spring washer
37	000070609	Washer 6
38	000013903	Snap ring CS-5
39	000072003	Washer 5
40	000101404	Setscrew 4x6
41	808010001	Supporter guide plate
42	751564006	Needle bar (unit)
43	807018006	Threader position set plate
44	000177205	Hexagonal socket screw 3x6
45	809509005	Needle bar connecting stud (unit)
46	844038018	Needle bar supporter spring
47	808606000	Buttonhole sensor (unit)
48	845002005	Sensor set plate
49	843502602	Printed circuit board E1 (unit)
50	000101105	Setscrew 3x4
51	000103808	Setscrew 3x5
52	830057021	Buttonhole lever guide
53	843625004	Buttonhole lever (unit)
54	808605607	Zigzag width motor (unit)
55	000053008	Cord binder
56	808611008	Presser foot lift switch (unit)
57	000081005	Setscrew 4x8
58	102408089	Needle
59	660509008	Presser foot (unit)
60	832523007	Zigzag foot
61	660806008	Presser foot holder
62	660106001	Setscrew

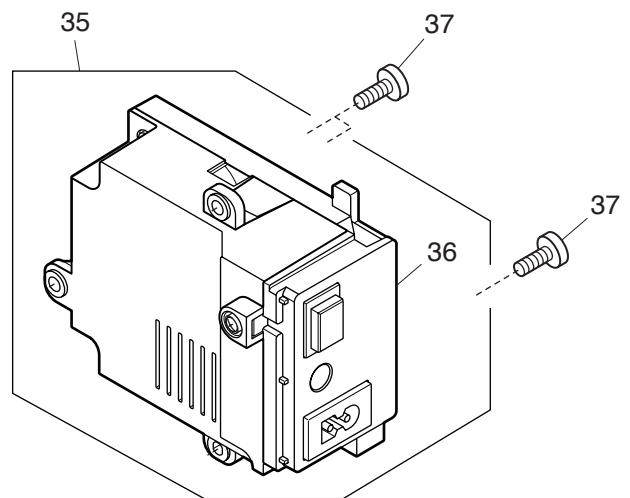
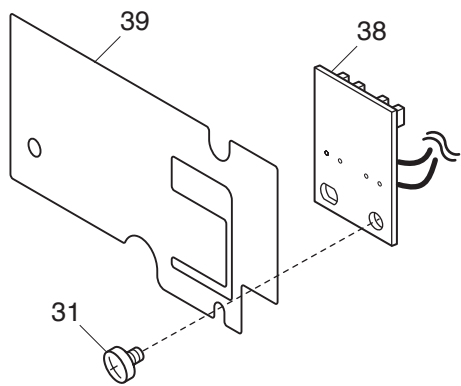
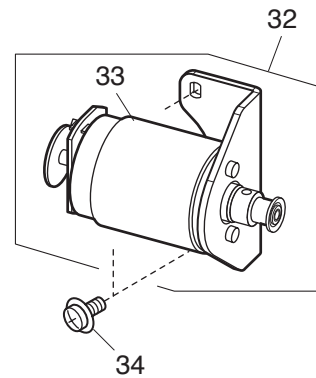
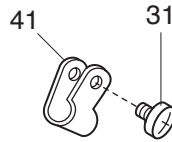
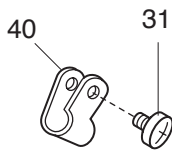
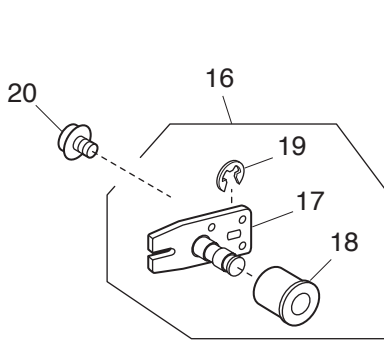
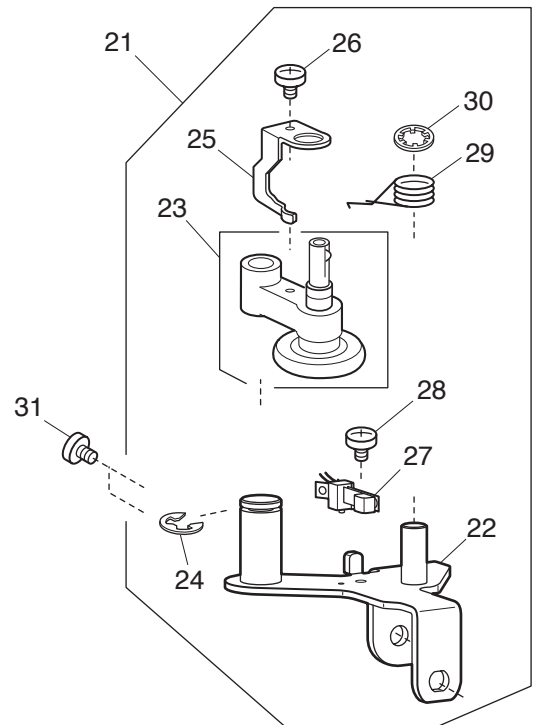
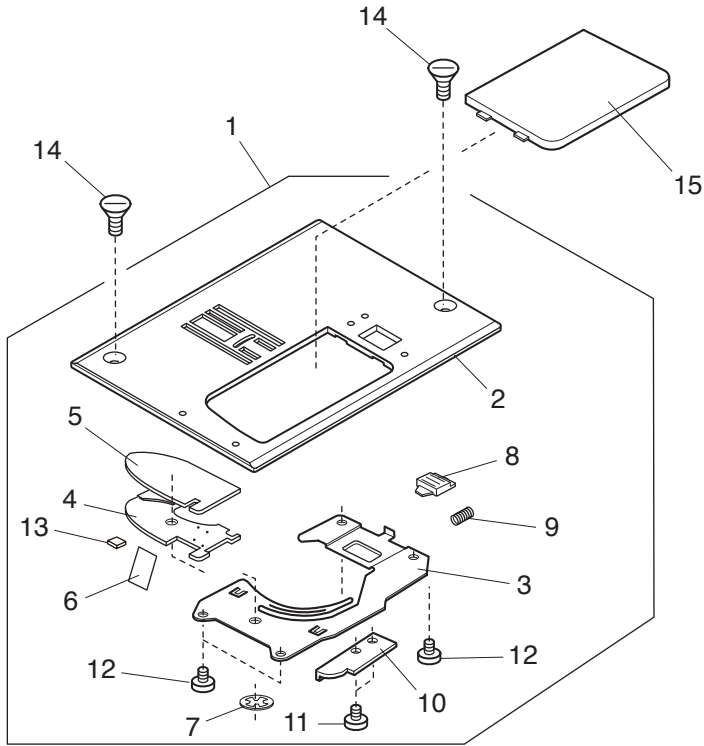
PARTS LIST



PARTS LIST

KEY NO.	PARTS NO.	DESCRIPTION
1	809620612	Hook race (whole unit)
2	809621015	Hook race (unit)
3	660536004	Hook body (unit)
4	820123006	Hook race shaft
5	820124007	Hook shaft oil wick (1)
6	820125008	Hook shaft oil wick (2)
7	000038409	Washer
8	627192001	Washer
9	625102008	Washer
10	508072002	Hook race shaft base
11	000111304	Hexagonal socket screw 5x5
12	000103705	Setscrew 4x5
13	627567104	Bobbin holder stopper (unit)
14	000101404	Setscrew 4x6
15	811611008	Feed regulator (unit)
16	000115205	Setscrew TP 4x6
17	809602009	Lower shaft (unit)
18	808027207	Lower shaft
19	508021006	Upper shaft gear
20	000004200	Spring pin 3x18
21	000038502	Washer
22	508054008	Shaft fixing metal
23	820166001	Lower shaft ring
24	000111201	Hexagonal socket screw 4x4
25	809017001	Lower shaft supporter
26	809016000	Lower shaft supporter plate
27	000081005	Setscrew 4x8
28	809014008	Feed cam
29	000005407	Spring pin 3x12
30	808137005	Lower shaft gear
31	846103000	Feed lifting cam
32	820161006	Feed lifting pin
33	808075004	Feed lifting cam spring
34	000022802	Spring pin 2x12
35	809013007	Feed fork
36	809015009	Feed fork spring
37	820172000	Pin
38	000071105	Washer 5
39	809064003	Needle plate set plate (right)
40	000063104	Nut 3-2-5.5
41	825515004	Feed base plate (unit)
42	825237009	Setscrew
43	809623305	Thread cutter (unit)
44	808105107	Slide position adjusting plate
45	732034003	Lower shaft bushing (rear)
46	809053009	Feed balancing dial 2
47	809042005	Lower shaft bushing set plate
48	000115607	Setscrew TP 4x8
49	000101703	Setscrew 4x12
50	858570009	Bobbin holder (unit)
51	102261103	Bobbin

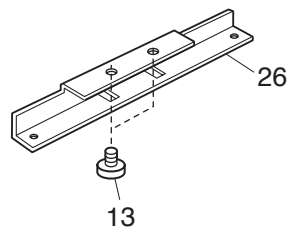
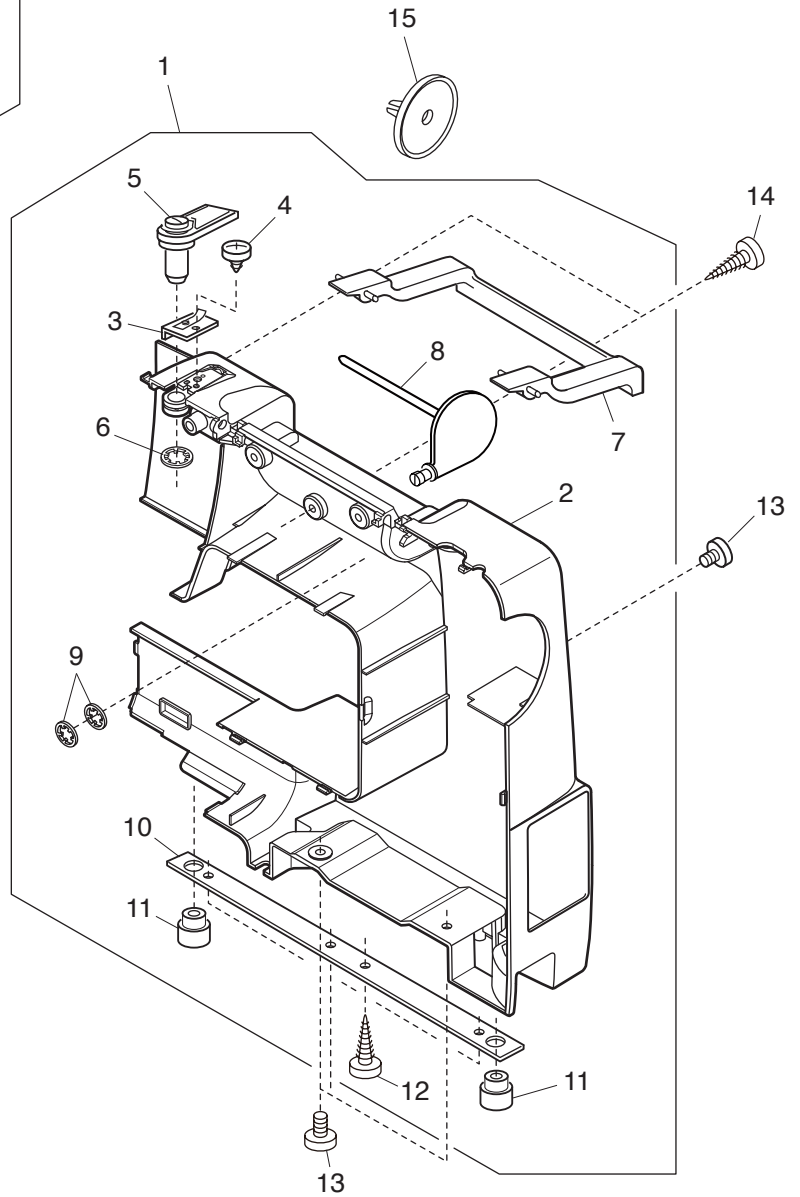
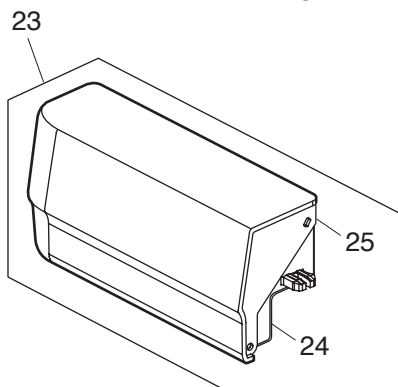
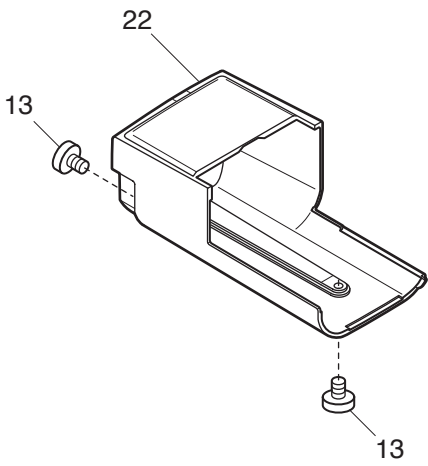
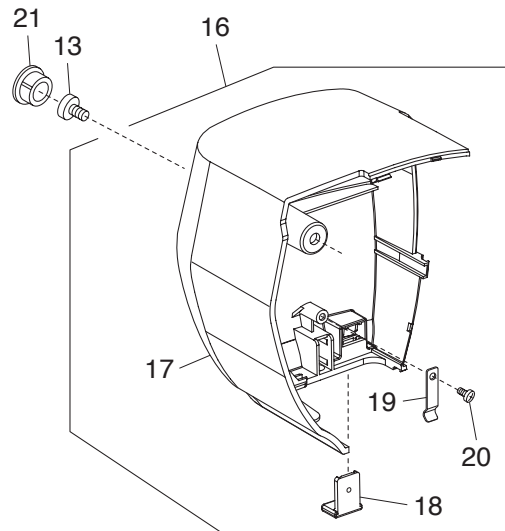
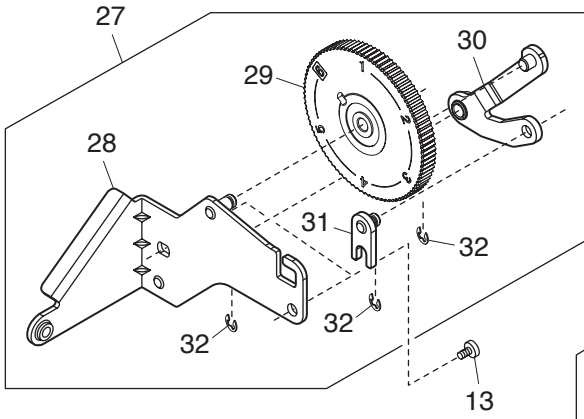
PARTS LIST



PARTS LIST

KEY NO.	PARTS NO.	DESCRIPTION
1	809616006	Needle plate (unit)
2	809132003	Needle plate
3	809133004	Hook cover plate supporter
4	809134005	Hook cover plate supporter base
5	809135006	Guide holder
6	809137008	Cutter
7	000014306	Snap ring CS-3
8	825016000	Hook cover plate release button
9	825017001	Spring
10	809050006	Rotation stopper
11	000163703	Setscrew 2x3.5
12	820374004	Setscrew 2x2.3
13	861152001	Felt
14	681009101	Setscrew
15	809136100	Hook cover plate
16	808614001	Idler (unit)
17	808038005	Idler set plate
18	625217100	Idler
19	000002806	Snap ring E-6
20	000115607	Setscrew TP 4x8
21	808615002	Bobbin winder (unit)
22	808039006	Bobbin winder set plate
23	508507001	Bobbin winder arm (unit)
24	000001609	Snap ring E-5
25	508111004	Clutch lever
26	000120203	Setscrew 3x8 (B)
27	856512100	Switch (unit)
28	000081706	Setscrew 2.5x5
29	808040000	Spring
30	000013903	Snap ring CS-5
31	000081005	Setscrew 4x8
32	808617004	DC motor (unit)
33	808502005	DC motor
34	000115700	Setscrew TP 4x10
35	808657017	Switching regulator (unit)
36	808525901	Switching regulator
37	000103509	Setscrew 4x10
38	808504007	Printed circuit board P (unit)
39	808093101	Cord guide
40	000188209	Nylon clip ACC-1.5
41	000188405	Nylon clip ACC-2

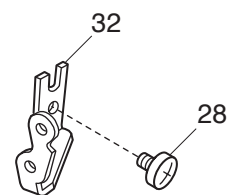
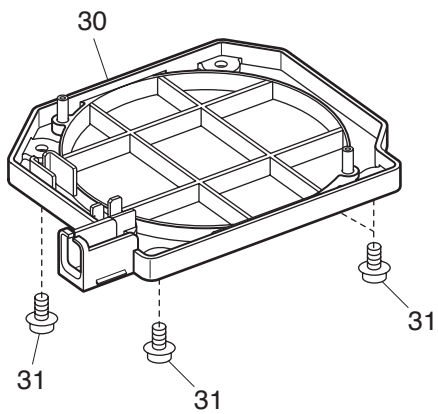
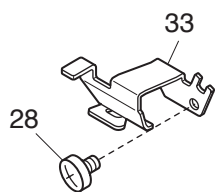
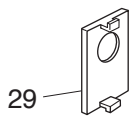
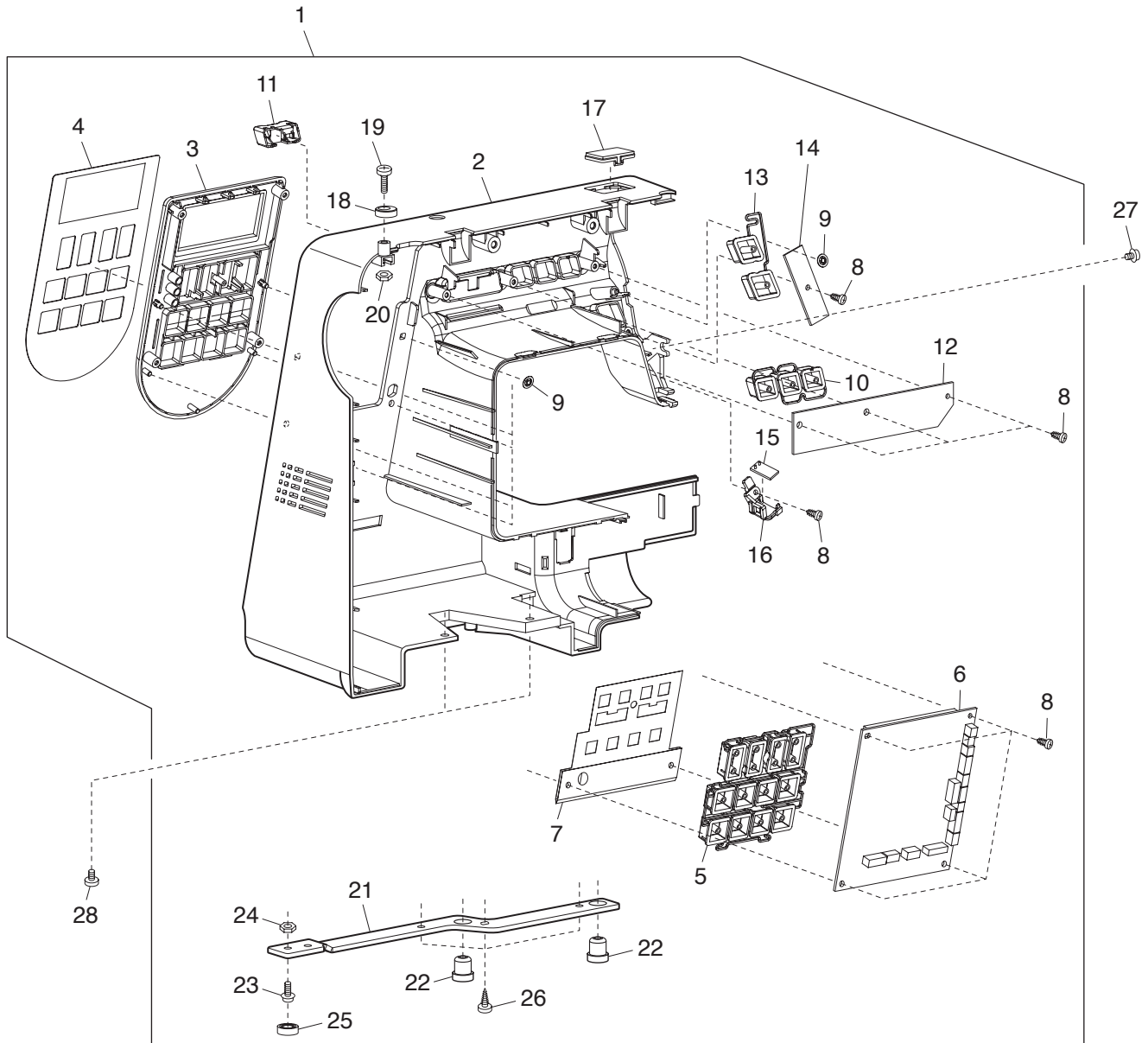
PARTS LIST



PARTS LIST

KEY NO.	PARTS NO.	DESCRIPTION
1	809604126	Rear cover (unit)
2	809025806	Rear cover
3	827503108	Top cover thread guide (unit)
4	000162001	Setscrew 2.6x5 (B)
5	650503089	Thread guide (unit)
6	000014409	Snap ring CS-8
7	809026003	Carrying handle
8	809027004	Spool pin
9	000013800	Snap ring CS-6
10	809028005	Arm leg rear
11	735003002	Bed rubber cushion
12	000198604	Setscrew 4x14 (B)
13	000081005	Setscrew 4x8
14	000160401	Setscrew 4x16 (B)
15	822020503	Spool holder
16	812602009	Face plate (unit)
17	812010A01	Face plate
18	840602006	Thread cutter (unit)
19	859233000	Magnifier fixing plate
20	000161206	Setscrew 3x10 (B)
21	653006101	Cap
22	808061007	Free arm cover
23	812603000	Extension table (unit)
24	808062008	Extension table
25	812009000	Extension table lid
26	809024001	Arm sole set plate
27	811601005	Face plate set plate (unit)
28	811001102	Face plate set plate
29	808078203	Presser foot pressure dial
30	808079008	Adjusting arm 1
31	808080002	Adjusting arm 2
32	000002105	Snap ring E-3

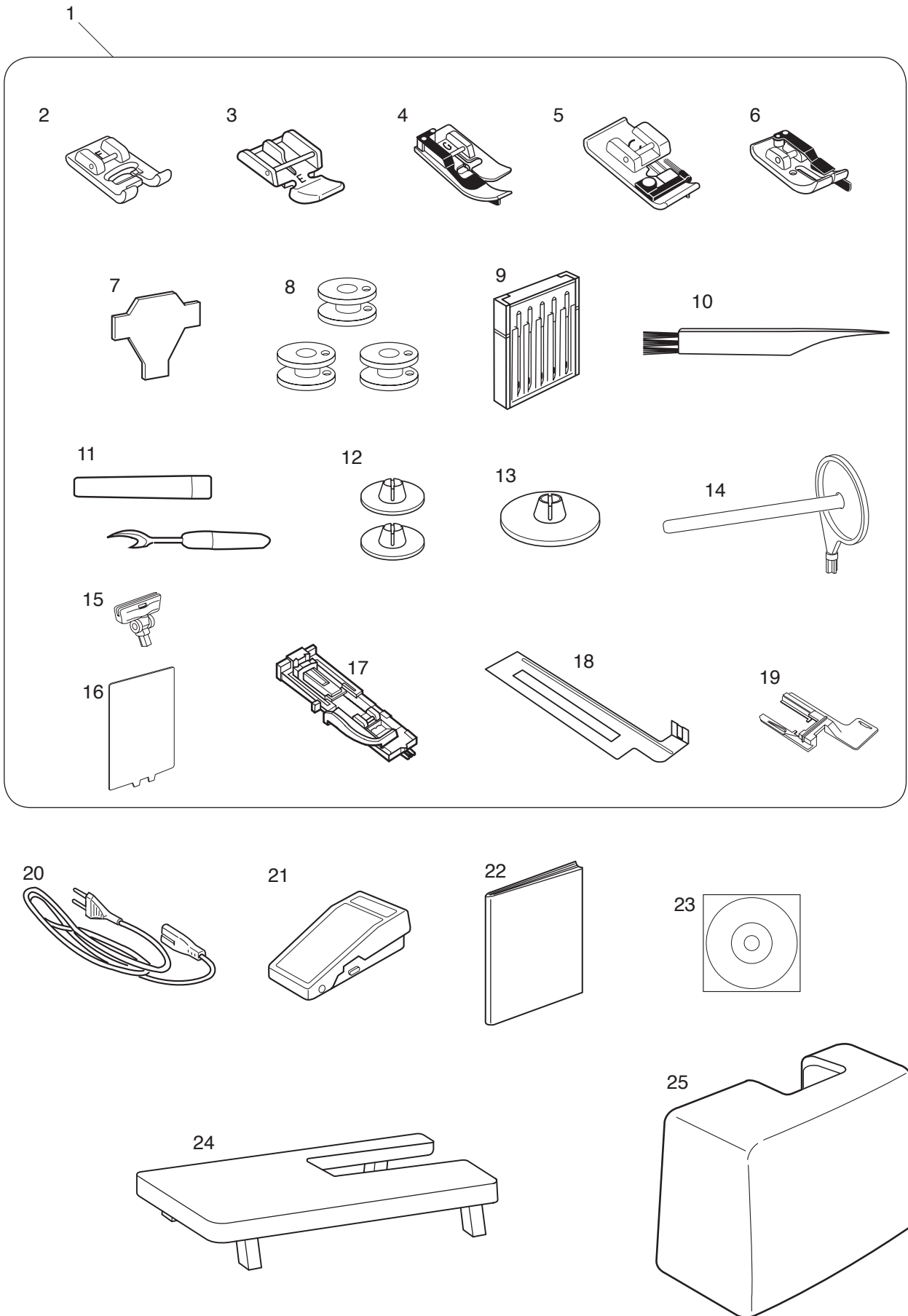
PARTS LIST



PARTS LIST

KEY NO.	PARTS NO.	DESCRIPTION
1	812601101	Front cover (unit)
2	812002A03	Front cover
3	812003026	Ornamental panel
4	812004B01	Ornamental sheet
5	812006B01	Button 2
6	811401173	Printed circuit board A (unit)
7	811017101	Flame retardant insulating paper
8	000120203	Setscrew 3x8 (B)
9	000014306	Snap ring CS-3
10	812005A01	Button 1
11	812008009	Slide volume
12	811503006	Printed circuit board F2 (unit)
13	812007A01	Button 3
14	808507103	Printed circuit board F (unit)
15	858511301	Printed circuit board L (unit)
16	808118000	Lamp holder
17	808103002	Front cover lid
18	735016307	Bobbin winder stopper
19	000101828	Setscrew 4x16
20	000061205	Nut 4-3-7
21	809125003	Arm sole front
22	735003002	Rubber foot
23	000114802	Setscrew TP 4x12
24	000160102	Adjustable lock nut 4
25	639005003	Rubber foot
26	000198604	Setscrew 4x14 (B)
27	000115205	Setscrew TP 4x6
28	000081005	Setscrew 4x8
29	809039009	Cap
30	808059301	Bed cover
31	000149312	Setscrew 3x8
32	639080002	Front cover set plate
33	808016007	Arm thread guide

PARTS LIST



PARTS LIST

KEY NO.	PARTS NO.	DESCRIPTION
1	812870022	Standard accessories
2	822804118	Satin foot (F) (unit)
3	829801002	Zipper foot (E) (unit)
4	825817009	Blind foot (G) (unit)
5	822801001	Overedge foot (C) (unit)
6	200008037	1/4" seam foot (O) (unit)
7	653802002	Screwdriver
8	102261103	Bobbin
9	540401026	Needle case (unit)
10	802424004	Lint brush
11	647808009	Seam ripper (Buttonhole opener)
12	822019509	Spool holder (small)
13	822020503	Spool holder (large)
14	809146000	Spool pin
15	809809008	Stitch chart base (unit)
16	809801A02	Stitch chart
17	753801004	Buttonhole foot (R) (unit)
18	200428118	Stabilizer plate
19	200428406	Stabilizer plate holder
20	830335004	Power supply cord
21	C-1036	Foot control
22	812800032	Instruction book (English)
23	811805001	Instructional DVD
24	808401003	Large extension table
25	404701404	Cover