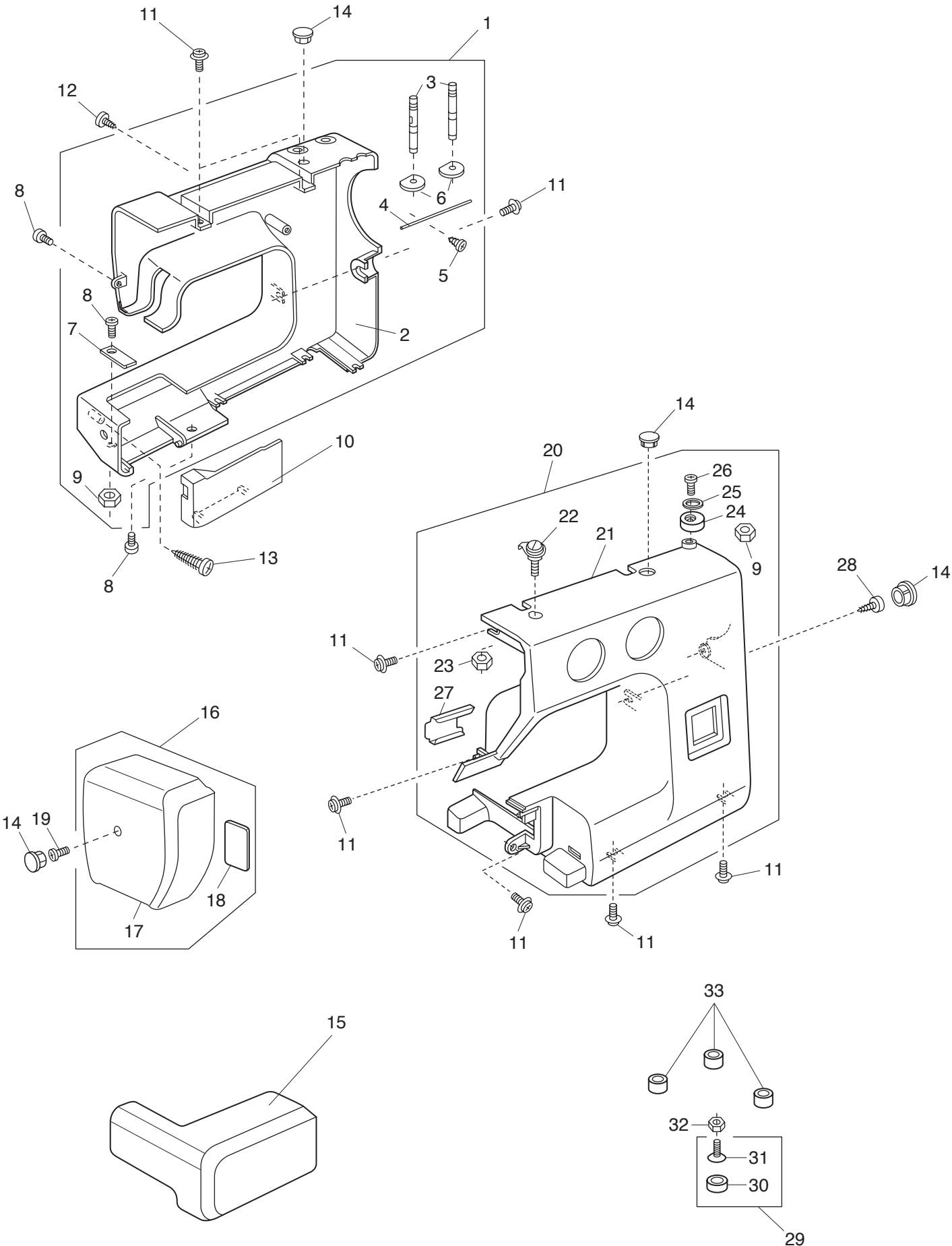


**SERVICE MANUAL
&
PARTS LIST**

MODEL: E1015

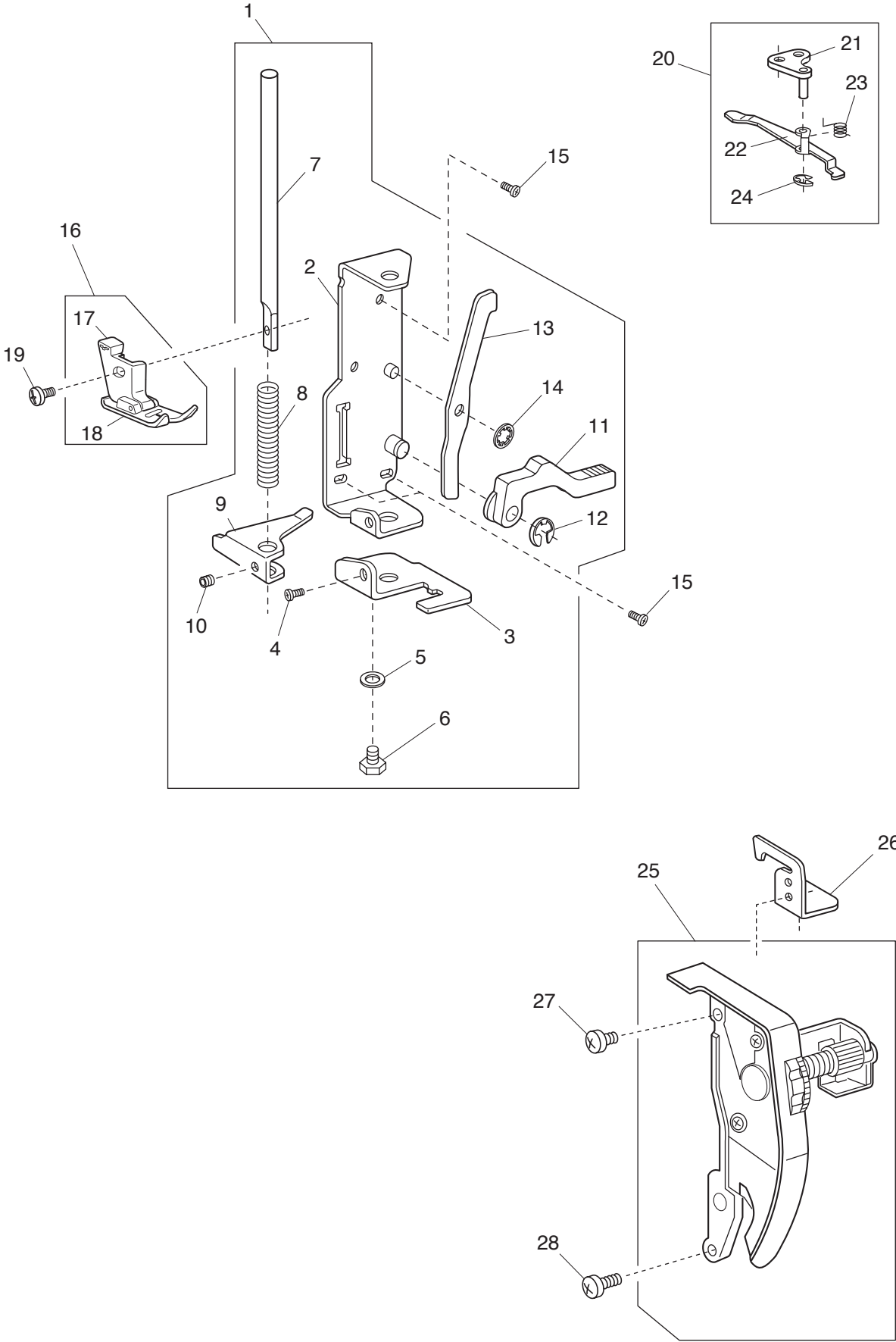
PARTS LIST



PARTS LIST

| KEY NO. | PARTS NO. | DESCRIPTION |
|------------|--------------|---------------------------|
| 1 | 311601125 | Rear cover (unit) |
| 2 | 311001130 | Rear cover |
| 3 | 652205109 | Spool pins |
| 4 | 736007009 | Spool pin spring |
| 5 | 000161206 | Setscrew 3x10 (B) |
| 6 | 735013005 | Spool pin spring base |
| 7 | 730006000 | Spring |
| 8 | 000101404 | Setscrew 4x6 |
| 9 | 000061205 | Nut 4-3-7 |
| 10 | 739004005 | Bed cover plate |
| 11 | 000115205 | Setscrew TP 4x6 |
| 12 | 000121905 | Tapping screw 4x12 (B) |
| 13 | 000198604 | Setscrew 4x14 (B) |
| 14 | 653006101 | Cap |
| 15 | 311002005 | Extension table |
| 16 | 311602171 | Face cover (unit) |
| 17 | 311003235 | Face cover |
| 18 | 724025006 | Reflex sticker |
| 19 | 000081005 | Setscrew 4x8 |
| 20 | 311603482 | Front cover (unit) |
| 21 | 311006685 | Front cover |
| 22 | 730501011 | Thread guide plate (unit) |
| 23 | 000160102 | Adjustable lock nut 4 |
| 24 | 735016307 | Bobbin winder stopper |
| 25 | 000071013 | Washer |
| 26 | 000103107 | Setscrew 4x14 |
| 27 | 735123009 | Thread guide plate |
| 28 | 000101703 | Setscrew 4x12 |
| 29 | 735616200 | Rubber base (unit) |
| 30 | 735002001 | Rubber base |
| 31 | 000097901 | Flat screw 5x18 |
| 32 | 000061319 | Nut 5-1-8 |
| 33 | 739064003 | Bed rubber base |

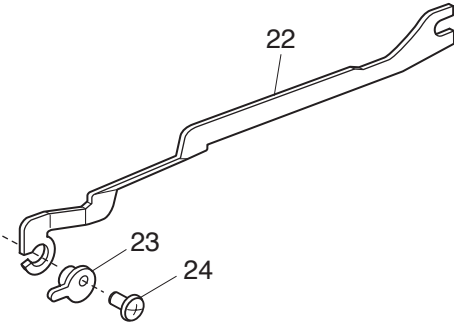
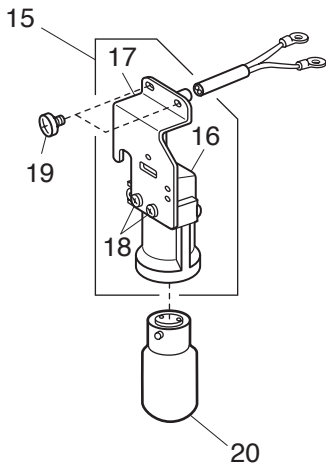
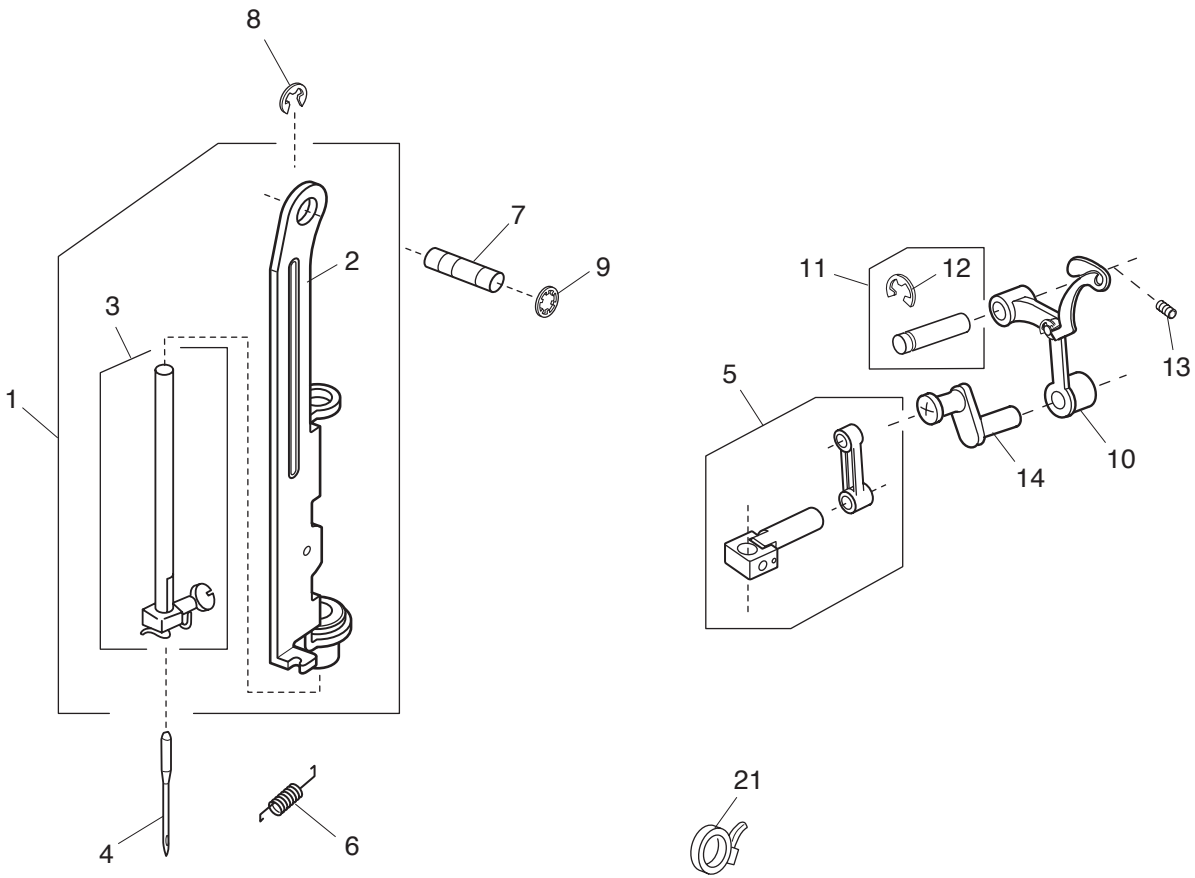
PARTS LIST



PARTS LIST

| KEY NO. | PARTS NO. | DESCRIPTION |
|------------|--------------|-------------------------------|
| 1 | 305604303 | Presser bar base plate (unit) |
| 2 | 735221008 | Presser bar base plate |
| 3 | 743212001 | Needle drop adjusting plate |
| 4 | 000101404 | Setscrew 4x6 |
| 5 | 000070506 | Washer |
| 6 | 000138307 | Bolt 4x8 |
| 7 | 735026001 | Presser bar |
| 8 | 735027002 | Presser bar spring |
| 9 | 735028003 | Presser bar bracket |
| 10 | 000111500 | Hexagonal socket screw 4x8 |
| 11 | 735029004 | Presser foot lifter |
| 12 | 000001609 | Snap ring E-5 |
| 13 | 735030008 | Tension release lever |
| 14 | 000013903 | Snap ring CS-5 |
| 15 | 000081005 | Setscrew 4x8 |
| 16 | 310621003 | Presser foot (unit) |
| 17 | 310801009 | Presser foot holder (unit) |
| 18 | 301505002 | Zigzag foot (unit) |
| 19 | 660106001 | Thumb screw |
| 20 | 304610000 | Tension release arm (unit) |
| 21 | 739017001 | Tension release arm base |
| 22 | 304045008 | Tension release arm |
| 23 | 739019003 | Tension release spring |
| 24 | 000002105 | Snap ring E-3 |
| 25 | 311501009 | Tension assembly (unit) |
| 26 | 739016000 | Top cover thread guide |
| 27 | 000103808 | Setscrew 3x5 |
| 28 | 000101703 | Setscrew 4x12 |

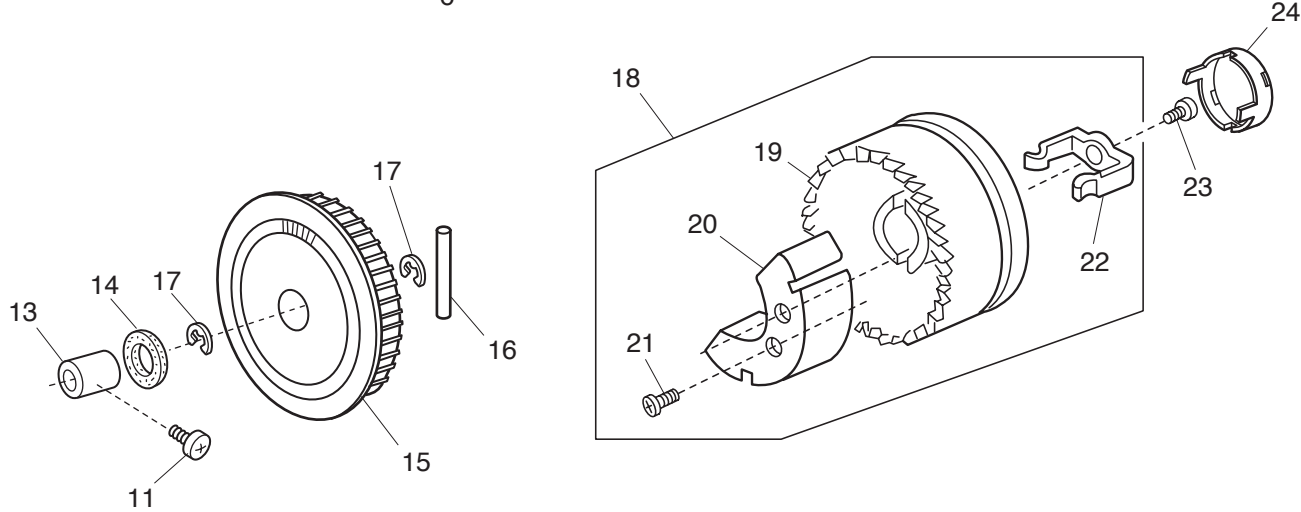
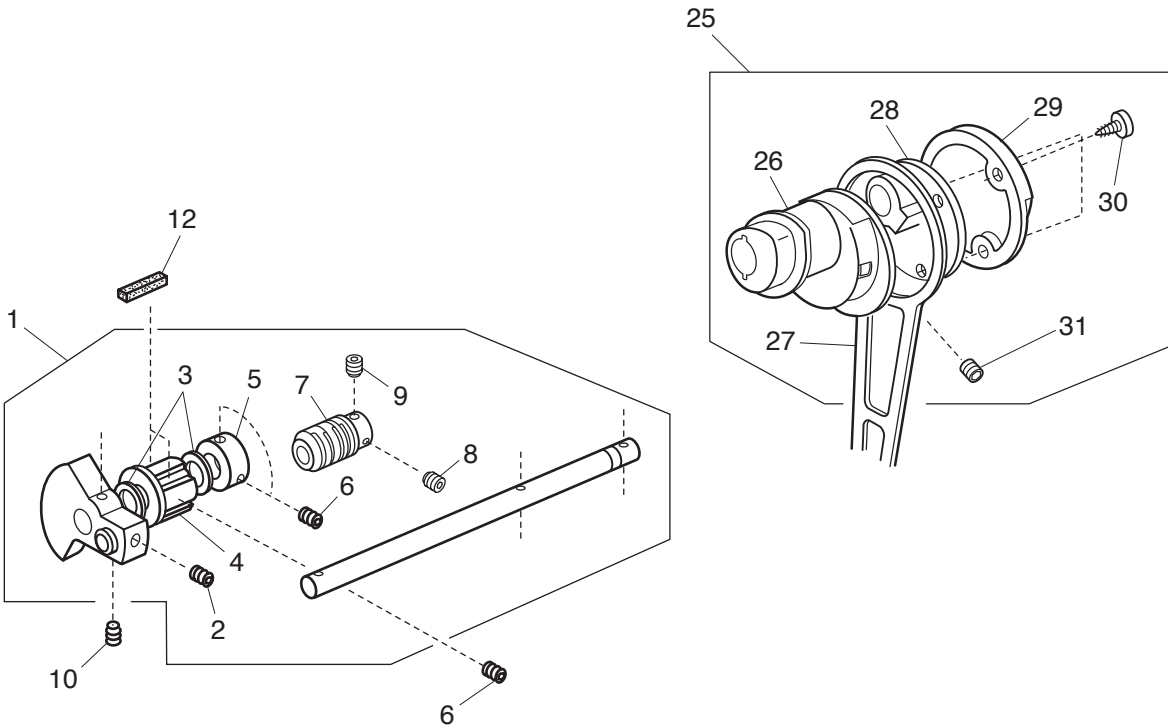
PARTS LIST



PARTS LIST

| KEY NO. | PARTS NO. | DESCRIPTION |
|------------|--------------|-----------------------------------|
| 1 | 743669007 | Needle bar supporter (unit) |
| 2 | 743213002 | Needle bar supporter |
| 3 | 730503116 | Needle bar (unit) |
| 4 | 102408089 | Needle HA 1-14 |
| 5 | 311502000 | Needle bar connecting stud (unit) |
| 6 | 639017008 | Needle bar supporter spring |
| 7 | 310013109 | Needle bar supporter pin |
| 8 | 000001609 | Snap ring E-5 |
| 9 | 000013800 | Snap ring CS-6 |
| 10 | 625506109 | Thread take-up lever (unit) |
| 11 | 731511006 | Thread take-up pin (unit) |
| 12 | 000002806 | Snap ring E-6 |
| 13 | 000111304 | Hexagonal socket screw 5x5 |
| 14 | 735504008 | Needle bar crank (unit) |
| 15 | 310622004 | Lamp socket (unit) |
| 16 | 655681009 | Lamp socket (unit) |
| 17 | 310065003 | Face plate set plate |
| 18 | 000120203 | Setscrew 3x8 (B) |
| 19 | 000081005 | Setscrew 4x8 |
| 20 | 000009009 | Lamp 240V 15W |
| 21 | 000053008 | Cord tie band |
| 22 | 735119002 | Zigzag rod |
| 23 | 310041003 | Eccentric plate |
| 24 | 000078319 | Setscrew 3x6 |

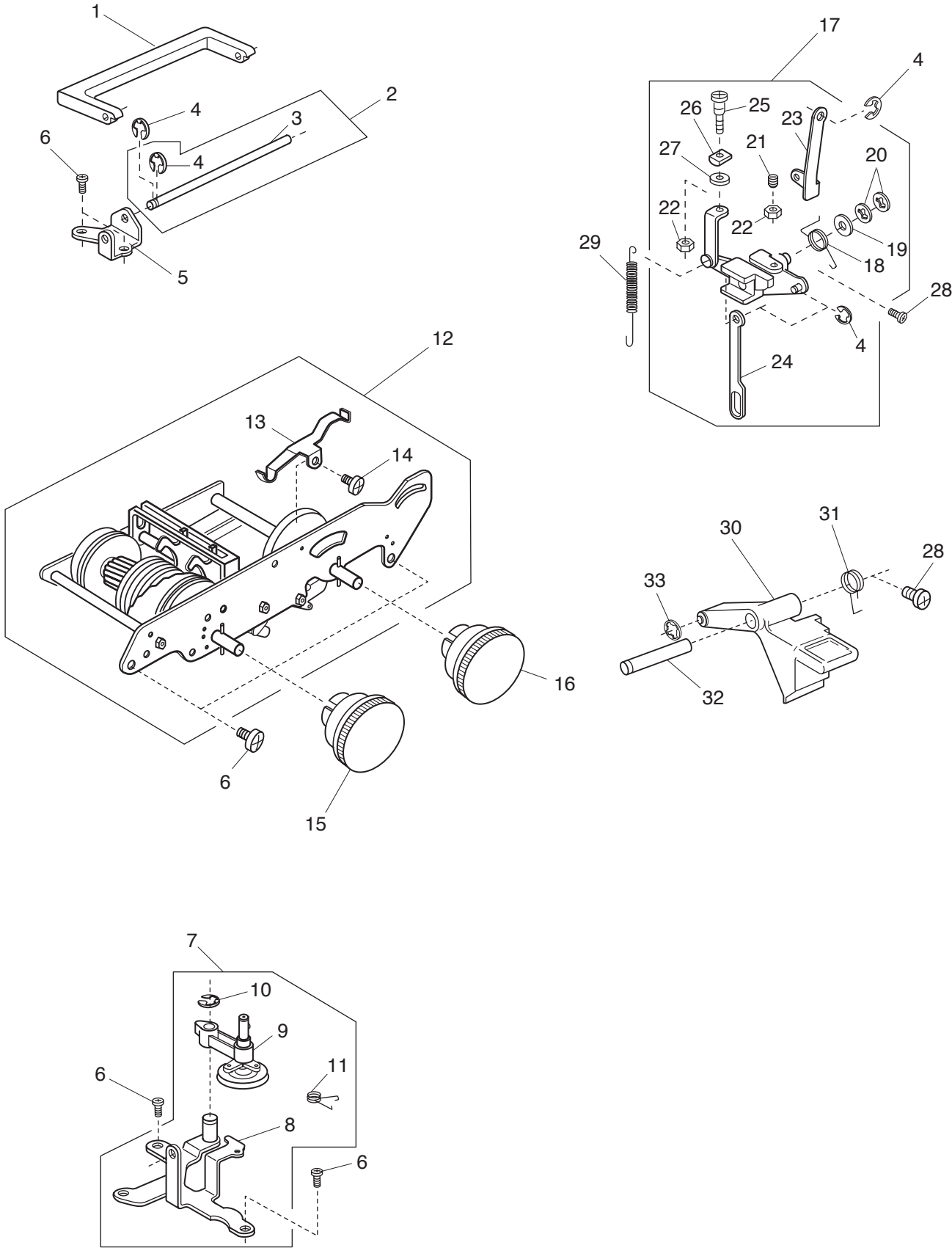
PARTS LIST



PARTS LIST

| KEY NO. | PARTS NO. | DESCRIPTION |
|------------|--------------|----------------------------|
| 1 | 304607406 | Upper shaft (unit) |
| 2 | 102073003 | Setscrew |
| 3 | 000036717 | Thrust washer |
| 4 | 732025001 | Upper shaft front bushing |
| 5 | 639095000 | Ring |
| 6 | 000111304 | Hexagonal socket screw 5x5 |
| 7 | 751146101 | Worm |
| 8 | 000111201 | Hexagonal socket screw 4x4 |
| 9 | 000112501 | Hexagonal socket screw 4x4 |
| 10 | 761052007 | Setscrew |
| 11 | 000172602 | Setscrew 5x8 |
| 12 | 731312005 | Felt |
| 13 | 732003003 | Upper shaft rear bushing |
| 14 | 743029009 | Felt |
| 15 | 743019006 | Belt wheel |
| 16 | 000023803 | Spring pin |
| 17 | 000030205 | Snap ring E-8 |
| 18 | 306605101 | Handwheel (unit) |
| 19 | 306105014 | Handwheel |
| 20 | 743030003 | Balance weight |
| 21 | 000121400 | Tapping screw 3x14 (B) |
| 22 | 639113016 | Clutch spring |
| 23 | 000081005 | Setscrew 4x8 |
| 24 | 650070509 | Clutch cap |
| 25 | 304609006 | Crank rod (unit) |
| 26 | 304042005 | Feed cam |
| 27 | 743011008 | Crank rod |
| 28 | 304044007 | Crank cam |
| 29 | 304043006 | Crank cam plate |
| 30 | 000161309 | Tapping screw 3x12 (B) |
| 31 | 000110107 | Hexagonal socket screw 5x5 |

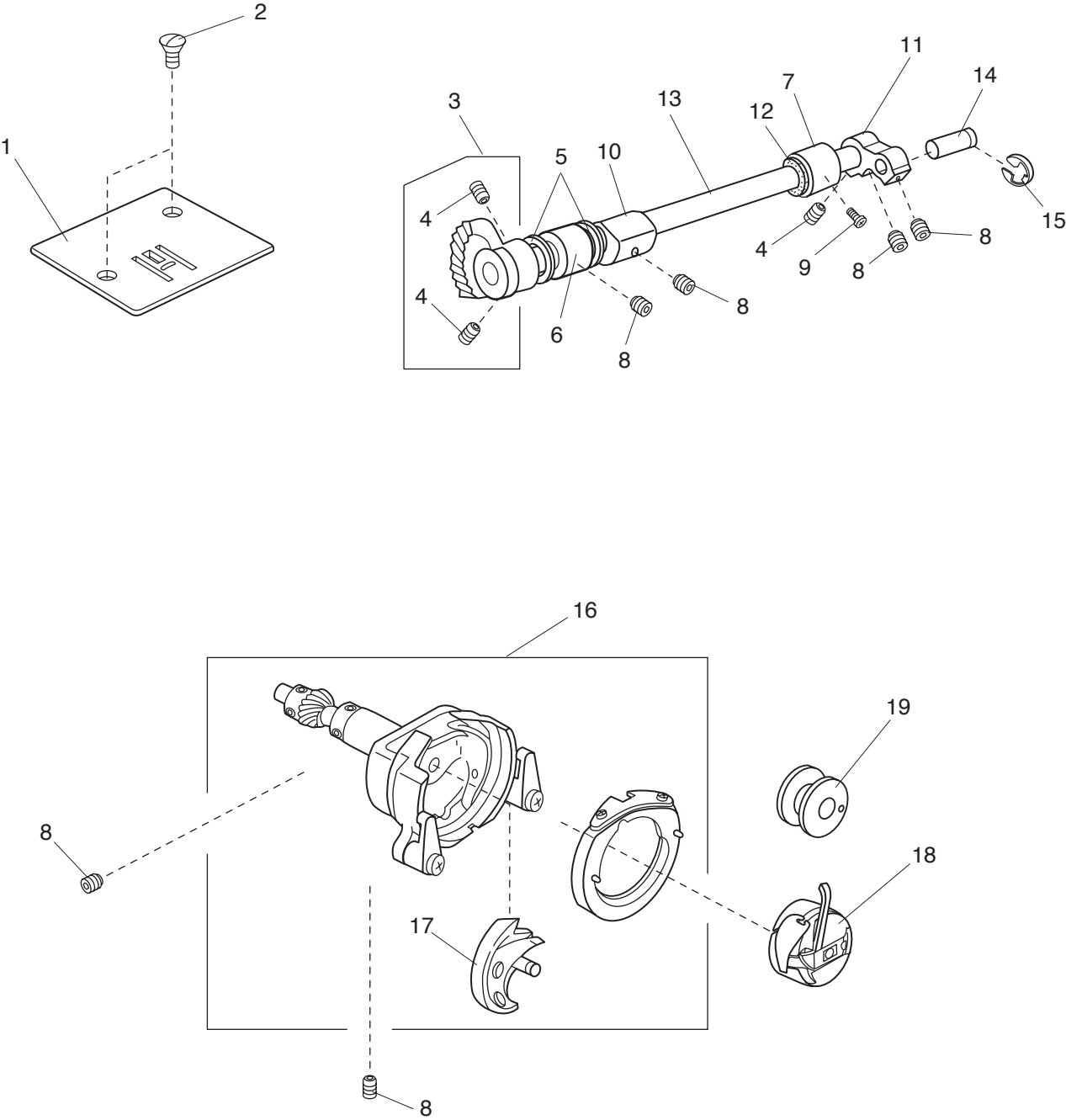
PARTS LIST



PARTS LIST

| KEY NO. | PARTS NO. | DESCRIPTION |
|------------|--------------|--------------------------------|
| 1 | 735017308 | Handle |
| 2 | 740624001 | Carrying handle set pin (unit) |
| 3 | 740011009 | Handle shaft |
| 4 | 000002105 | Snap ring E-3 |
| 5 | 740010008 | Handle supporter |
| 6 | 000081005 | Setscrew 4x8 |
| 7 | 740602209 | Bobbin winder supporter (unit) |
| 8 | 740003101 | Bobbin winder base plate |
| 9 | 735501005 | Bobbin winder arm (unit) |
| 10 | 000002806 | Snap ring E-6 |
| 11 | 740042009 | Bobbin winder arm spring |
| 12 | 745606105 | Zigzag mechanism (unit) |
| 13 | 737011009 | Index spring |
| 14 | 000103808 | Setscrew 3x5 |
| 15 | 311005248 | Pattern selector dial |
| 16 | 306107854 | Feed dial |
| 17 | 736604301 | Feed regulator (unit) |
| 18 | 735077007 | Feed regulating body spring |
| 19 | 735073003 | Plain washer |
| 20 | 000013800 | Snap ring CS-6 |
| 21 | 648010009 | Setscrew |
| 22 | 000160102 | Adjustable lock nut 4 |
| 23 | 739020007 | Feed regulating rod |
| 24 | 730045001 | Reverse link |
| 25 | 735074004 | SS adjusting screw |
| 26 | 735076006 | SS rod block |
| 27 | 000071013 | Washer 4 |
| 28 | 000172602 | Setscrew 5x8 |
| 29 | 670100006 | Feed regulator spring |
| 30 | 742007008 | R button |
| 31 | 739063002 | R button spring |
| 32 | 736015000 | R button shaft |
| 33 | 000014007 | Snap ring CS-4 |

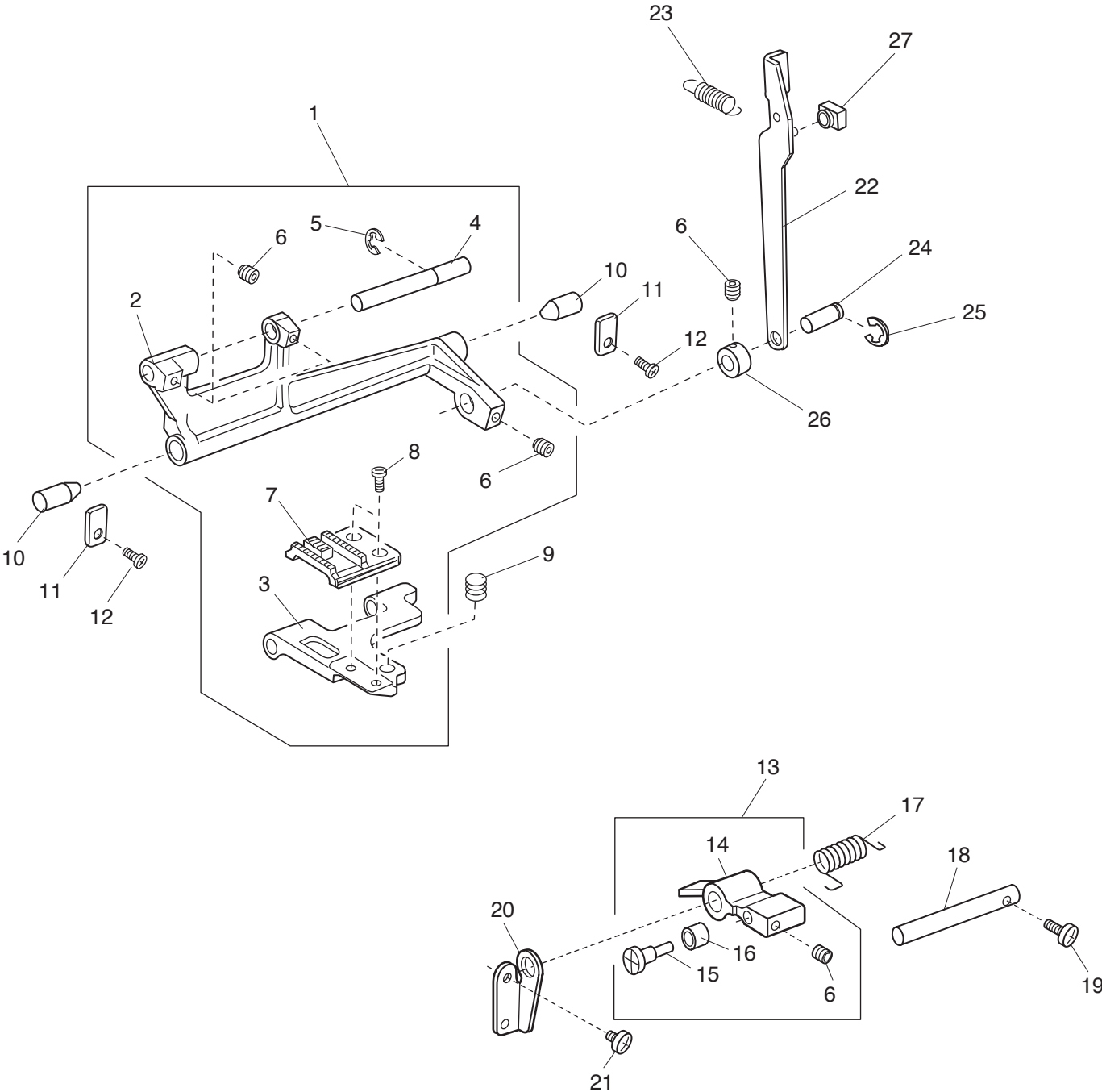
PARTS LIST



PARTS LIST

| KEY NO. | PARTS NO. | DESCRIPTION |
|------------|--------------|---------------------------------|
| 1 | 744004001 | Needle plate |
| 2 | 681009101 | Setscrew |
| 3 | 735950003 | Lower shaft gear (unit) |
| 4 | 000110107 | Hexagonal socket screw 5x5 (WP) |
| 5 | 000036201 | Washer 8-0.5 |
| 6 | 735233003 | Bushing |
| 7 | 735234004 | Bushing |
| 8 | 000111304 | Hexagonal socket screw 5x5 |
| 9 | 000172602 | Setscrew 5x8 |
| 10 | 735061008 | Feed lifting cam |
| 11 | 639036003 | Lower shaft crank arm |
| 12 | 822070003 | Felt |
| 13 | 735236006 | Lower shaft |
| 14 | 639037004 | Pin |
| 15 | 000001609 | Snap ring E-5 |
| 16 | 735610101 | Shuttle race body (unit) |
| 17 | 532096007 | Shuttle hook |
| 18 | 647515006 | Bobbin case (unit) |
| 19 | 102261000 | Bobbin |

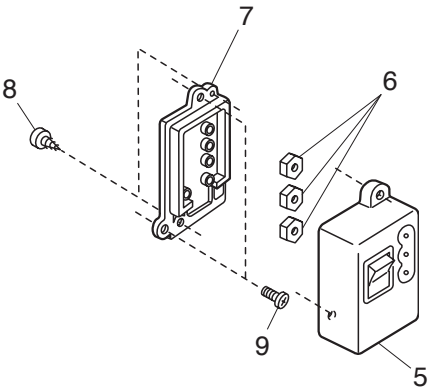
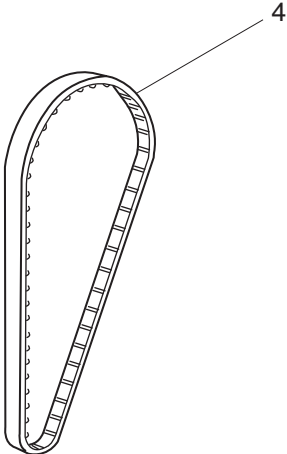
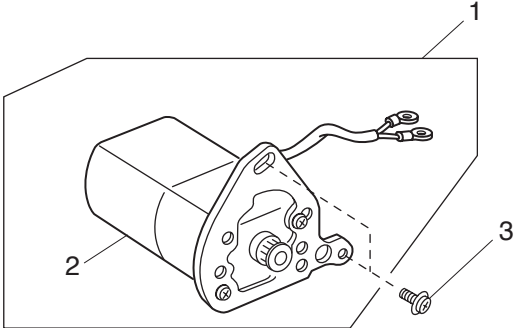
PARTS LIST



PARTS LIST

| KEY NO. | PARTS NO. | DESCRIPTION |
|------------|--------------|--------------------------------|
| 1 | 735612000 | Feed rock shaft (unit) |
| 2 | 735078008 | Feed rock shaft |
| 3 | 735079009 | Feed bar |
| 4 | 735080003 | Feed bar shaft |
| 5 | 000002507 | Snap ring E-4 |
| 6 | 000111201 | Hexagonal socket screw 4x4 |
| 7 | 735081004 | Feed dog |
| 8 | 735082005 | Setscrew |
| 9 | 735083006 | Feed bar spring |
| 10 | 735084007 | Feed rock shaft center |
| 11 | 735085008 | Feed rock shaft center plate |
| 12 | 000101404 | Setscrew 4x6 |
| 13 | 301608006 | Feed lifting arm (unit) |
| 14 | 301027005 | Feed lifting arm |
| 15 | 735087000 | Feed lifting pin |
| 16 | 735088001 | Feed lifting roller |
| 17 | 735089002 | Feed lifting spring |
| 18 | 735090006 | Feed lifting shaft |
| 19 | 000101703 | Setscrew 4x12 |
| 20 | 739022009 | Feed lifting shaft holder |
| 21 | 000081119 | Setscrew 4x6 |
| 22 | 743012009 | Feed rod |
| 23 | 743013000 | Feed rod spring |
| 24 | 735071104 | Feed rock shaft connecting pin |
| 25 | 000002806 | Snap ring E-6 |
| 26 | 735276008 | Ring |
| 27 | 102141003 | Feed regulator slide block |

PARTS LIST

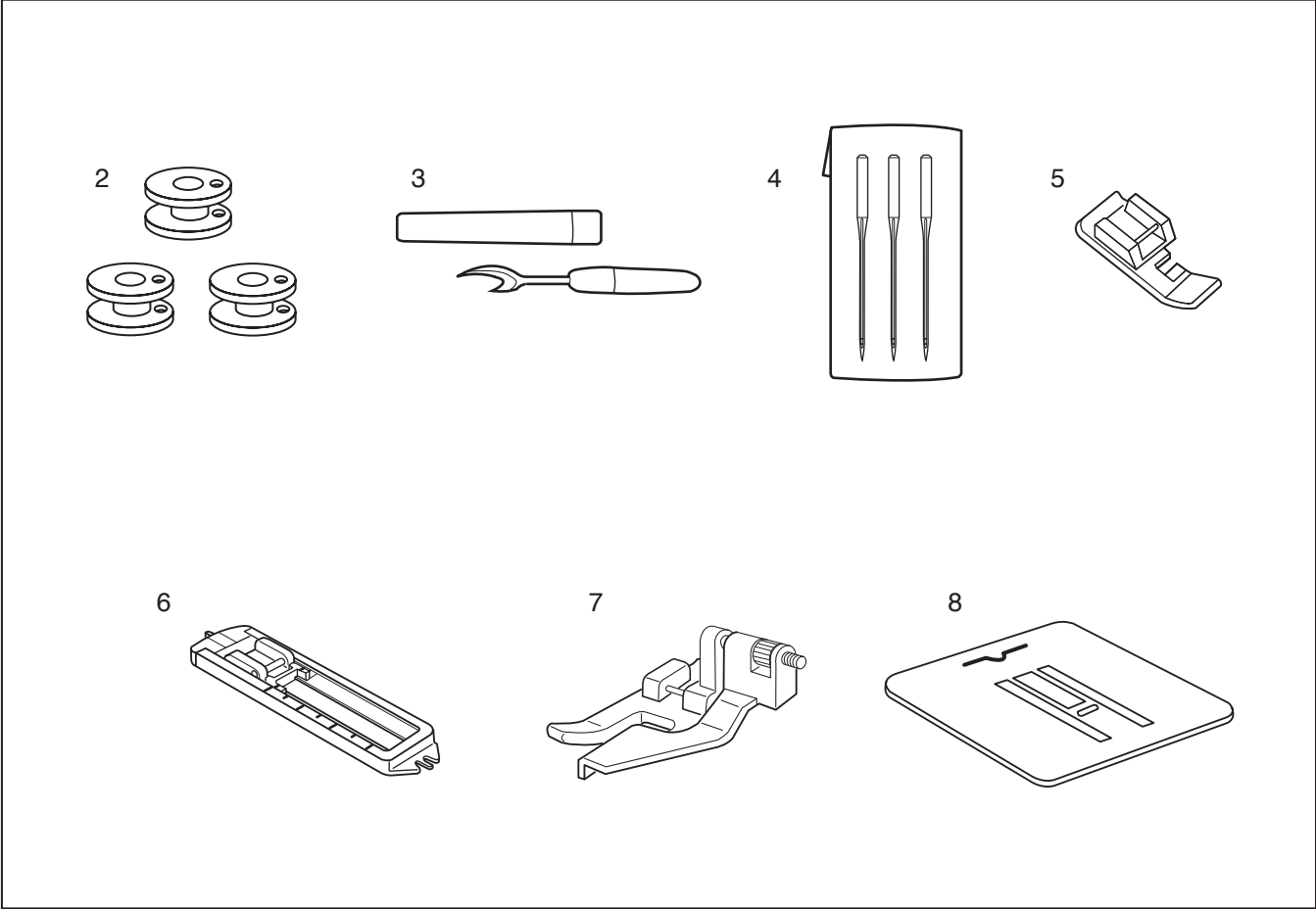


PARTS LIST

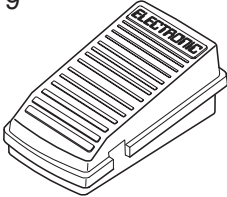
| KEY NO. | PARTS NO. | DESCRIPTION |
|------------|--------------|-----------------------|
| 1 | 743671002 | Motor (unit) |
| 2 | 025501003 | Motor assy |
| 3 | 000115504 | Setscrew TP 5x10 |
| 4 | 650166008 | Motor timing belt |
| 5 | 739503308 | Machine socket (unit) |
| 6 | 000060802 | Nut |
| 7 | 739037007 | Machine socket cover |
| 8 | 000107802 | Setscrew 3x10 (B) |
| 9 | 000103509 | Setscrew 4x10 |

PARTS LIST

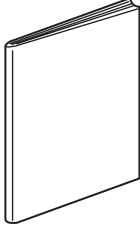
1



9



10



PARTS LIST

| KEY NO. | PARTS NO. | DESCRIPTION |
|------------|--------------|------------------------|
| 1 | 311870002 | Accessory set (unit) |
| 2 | 102261000 | Bobbin |
| 3 | 647808009 | Seam ripper |
| 4 | 639804000 | Needle set (unit) |
| 5 | 611406002 | Zipper foot (unit) |
| 6 | 639801007 | Buttonhole foot (unit) |
| 7 | 611411000 | Blind foot (unit) |
| 8 | 735801008 | Darning plate |
| 9 | 045501005 | Foot control |
| 10 | 311800229 | Instruction book |