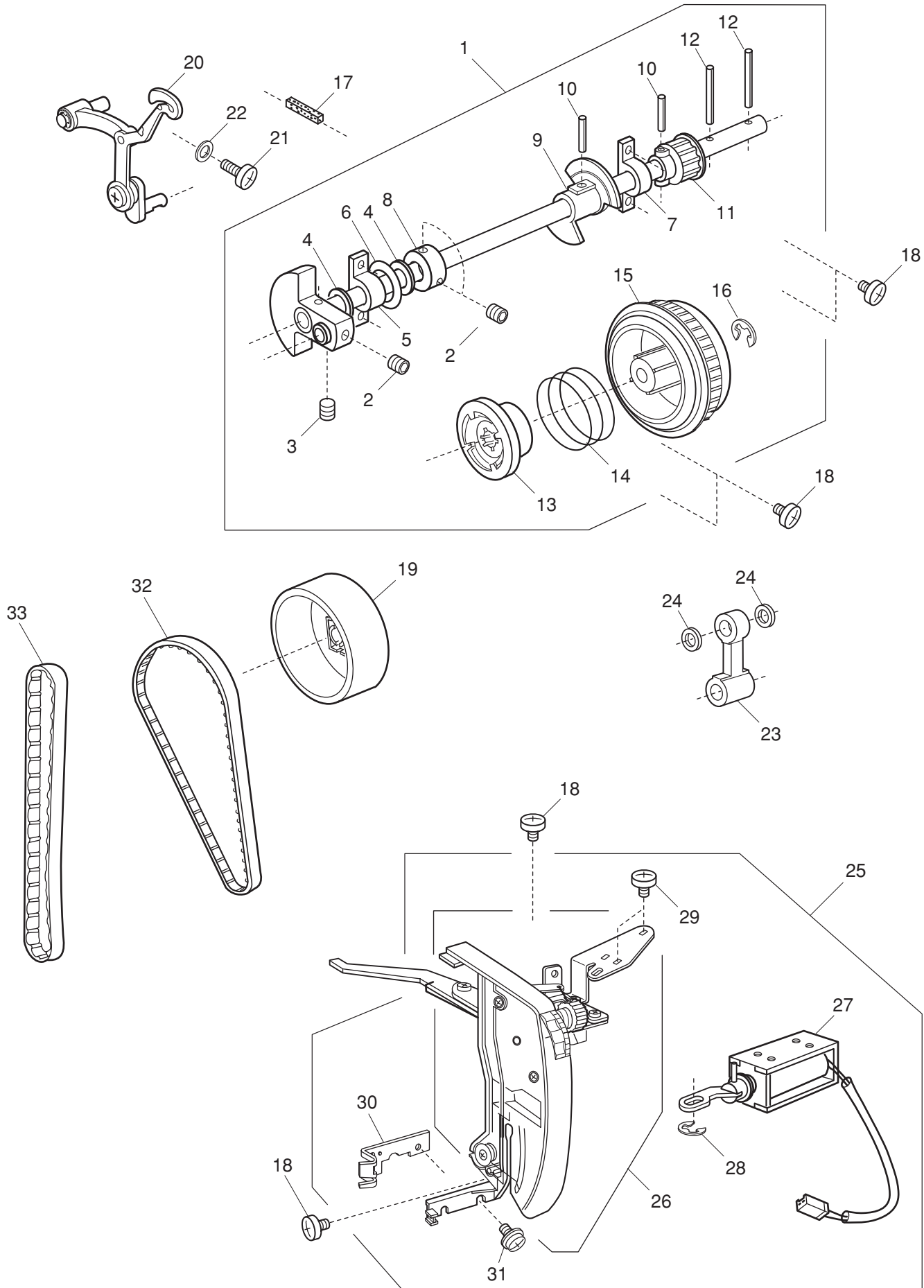


**SERVICE MANUAL**  
**&**  
**PARTS LIST**

**MODEL: 5060DC**

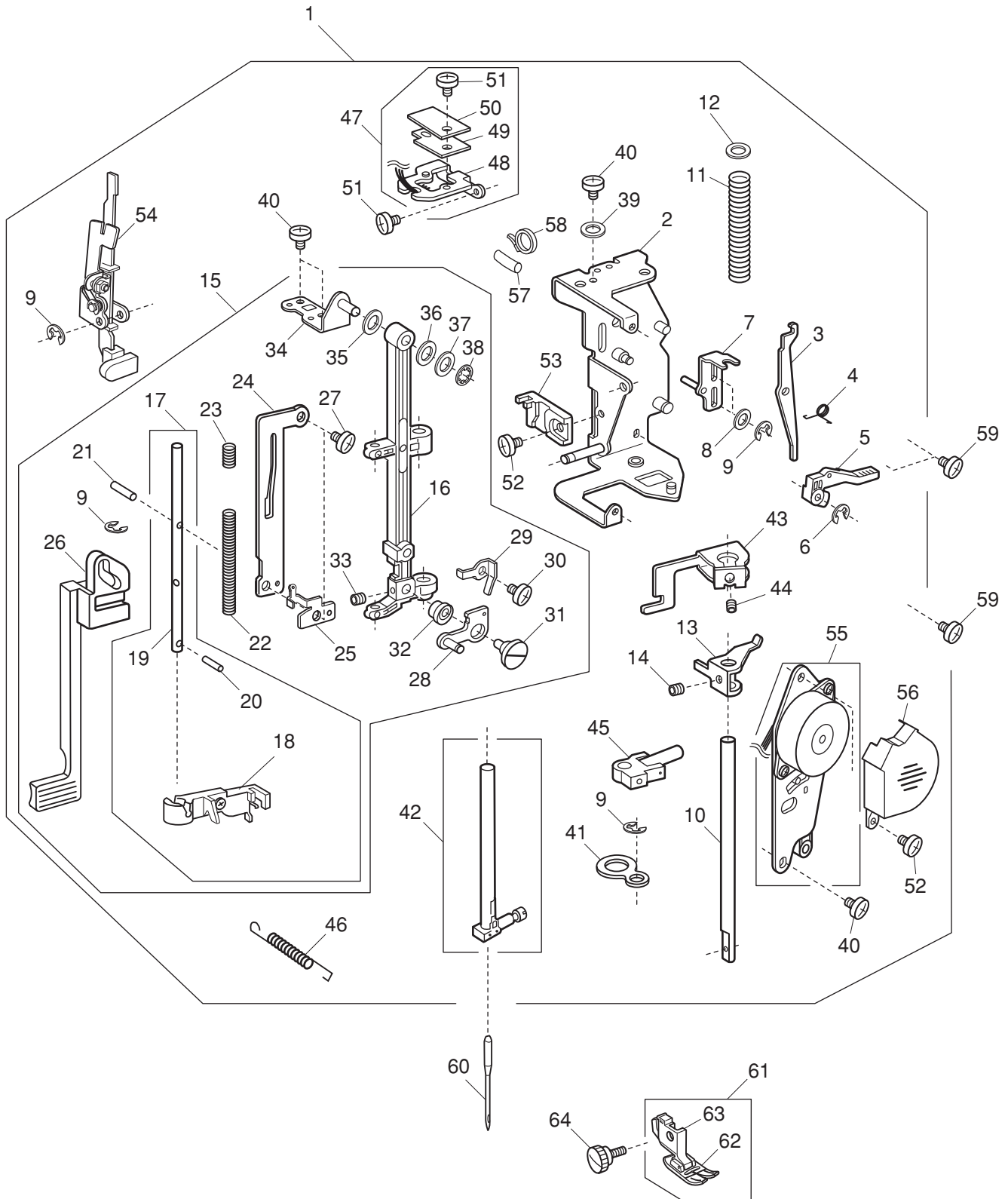
# PARTS LIST



# PARTS LIST

KEY NO.	PARTS NO.	DESCRIPTION
1	808601005	Upper shaft (unit)
2	000111201	Hexagonal socket screw 4x4
3	000112800	Hexagonal socket screw 4x6
4	000036201	Washer FT80
5	508120006	Shaft fixing metal
6	823110010	Felt
7	508054101	Shaft fixing metal
8	820166001	Lower shaft ring
9	808003001	Upper shaft shielding plate
10	000004200	Spring pin 3x18
11	508021006	Upper shaft gear
12	000024206	Spring pin 3x30
13	502064003	Clutch ring
14	661024007	Clutch spring
15	508055009	Belt wheel
16	000002806	Snap ring E-6
17	731312005	Felt
18	000081005	Setscrew 4x8
19	809100057	Handwheel
20	808648004	Thread take-up lever (unit)
21	000103509	Setscrew 4x10
22	000072302	Washer 4
23	808005003	Needle bar crank rod
24	000036005	Washer FT60
25	809648203	Thread tension (unit)
26	809533101	Thread tension (unit)
27	808604008	Solenoid (unit)
28	000002105	Snap ring E-3
29	000101105	Setscrew 3x4
30	809023000	Face cover spring supporter
31	000114709	Setscrew TP 4x6
32	808021005	Timing belt
33	808037004	Syncro belt

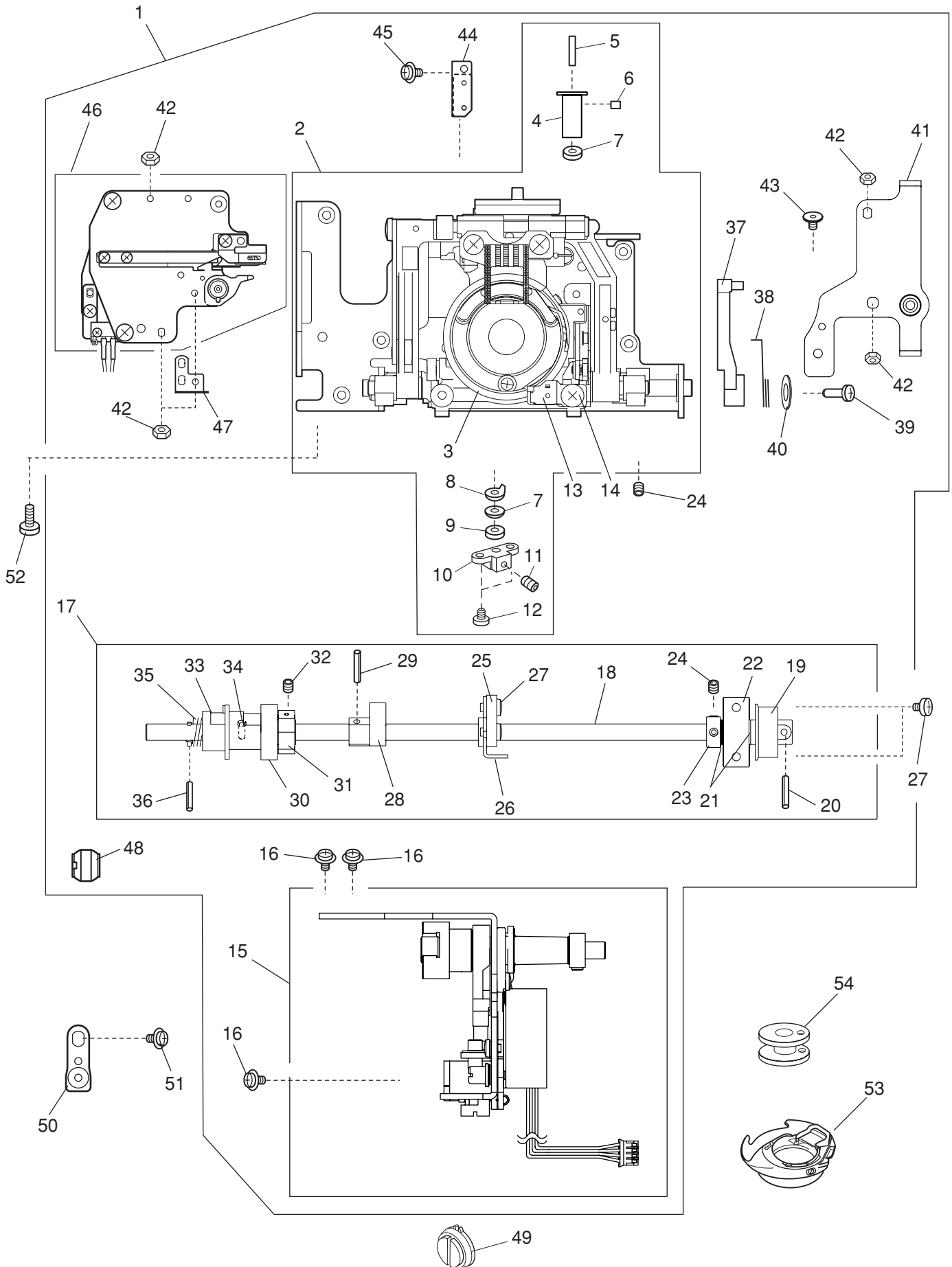
# PARTS LIST



# PARTS LIST

KEY NO.	PARTS NO.	DESCRIPTION
1	809614060	Presser bar base plate (unit)
2	808006406	Presser bar base plate
3	808007005	Thread tension release lever
4	503041007	Thread tension release spring
5	502024001	Presser foot lifter
6	000001609	Snap ring E-5
7	809128006	Presser bar spring adjusting plate
8	000072508	Washer 4
9	000002105	Snap ring E-3
10	827021107	Presser bar
11	830030006	Presser bar spring
12	826055004	Washer
13	502026003	Presser bar supporter
14	000111500	Hexagonal socket screw 4x8
15	809615005	Needle bar supporter (unit)
16	809129007	Needle bar supporter
17	842637006	Threader shaft (unit)
18	842638007	Threader plate (unit)
19	840036025	Threader shaft
20	000003508	Spring pin 2x8
21	000125105	Guide pin E-2x16-CH
22	842090001	Threader shaft spring
23	842096007	Threader lever spring
24	842091002	Threader guide plate
25	844036027	Threader lever plate
26	842092003	Threader lever
27	000078319	Setscrew 3x6
28	808015006	Zigzag width rod
29	827088009	Zigzag width rod spring
30	820373003	Setscrew 2x3
31	678084007	Eccentric pin
32	808074003	Washer
33	000111902	Hexagonal socket screw 3x4
34	808009007	Supporter adjusting plate
35	000036500	Washer FT60
36	673022002	Spring washer
37	000070609	Washer 6
38	000013903	Snap ring CS-5
39	000072003	Washer 5
40	000101404	Setscrew 4x6
41	808010001	Supporter guide plate
42	751564006	Needle bar (unit)
43	807018006	Threader position set plate
44	000177205	Hexagonal socket screw 3x6
45	809509005	Needle bar connecting stud (unit)
46	844038018	Needle bar supporter spring
47	808606103	Buttonhole sensor (unit)
48	845002005	Sensor set plate
49	843502602	Printed circuit board E1 (unit)
50	845029008	Insulation sheet
51	000101105	Setscrew 3x4
52	000103808	Setscrew 3x5
53	830057021	Buttonhole lever guide
54	843625004	Buttonhole lever (unit)
55	808605102	Zigzag width motor (unit)
56	809019003	Motor cover
57	809046009	Tube
58	000053008	Cord binder
59	000081005	Setscrew 4x8
60	102408089	Needle HA1-14
61	660509008	Presser foot (unit)
62	832523007	Zigzag foot
63	660806008	Presser foot holder
64	647112009	Setscrew

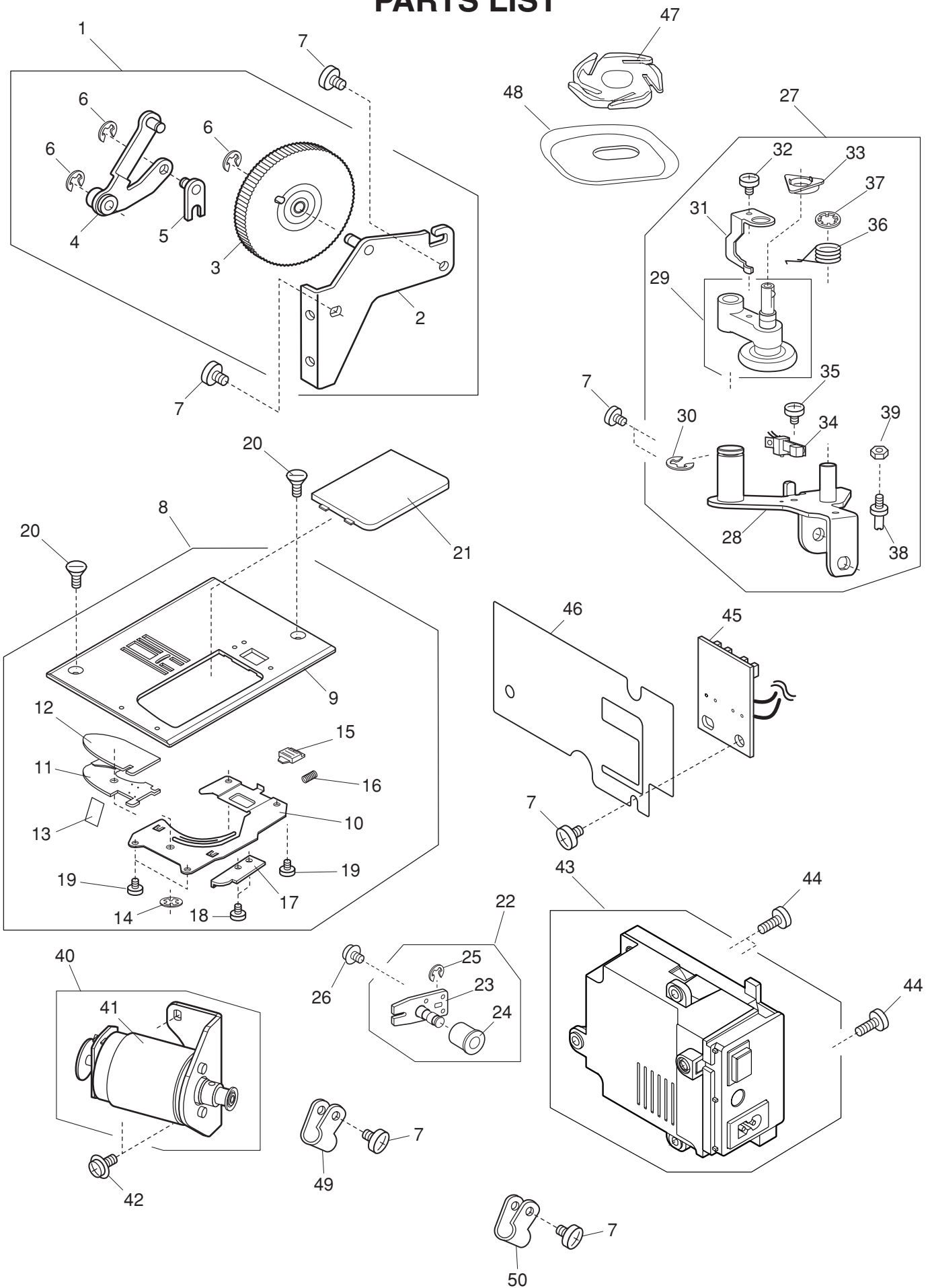
# PARTS LIST



# PARTS LIST

KEY NO.	PARTS NO.	DESCRIPTION
1	809620014	Hook race (whole unit)
2	809621015	Hook race (unit)
3	660536004	Hook body (unit)
4	820123006	Hook race shaft
5	820124007	Hook shaft oil wick (1)
6	820125008	Hook shaft oil wick (2)
7	000038409	Washer
8	627192001	Washer
9	625102008	Washer
10	508072002	Hook race shaft base
11	000111304	Hexagonal socket screw 5x5
12	000103705	Setscrew 4x5
13	627567104	Bobbin holder stopper (unit)
14	000101404	Setscrew 4x6
15	809607004	Feed regulator (unit)
16	000115205	Setscrew TP4x6
17	809602010	Lower shaft (unit)
18	808027207	Lower shaft
19	508021006	Upper shaft gear
20	000004200	Spring pin 3x18
21	000038502	Washer
22	508054008	Shaft fixing metal
23	820166001	Lower shaft ring
24	000111201	Hexagonal socket screw 4x4
25	809017001	Lower shaft supporter
26	809016000	Lower shaft supporter plate
27	000081005	Setscrew 4x8
28	809014008	Feed cam
29	000005407	Spring pin 3x12
30	508023008	Lower gear
31	508020005	Ring
32	000111108	Hexagonal socket screw 4x6
33	846103000	Feed lifting cam
34	820161006	Feed lifting pin
35	808075004	Feed lifting cam spring
36	000022802	Spring pin 2x12
37	809013007	Feed fork
38	809015009	Feed fork spring
39	820172000	Pin
40	000071105	Washer
41	809064003	Needle plate set plate (right)
42	000063104	Nut 3-2-5.5
43	000193104	Thin-head setscrew TP3x4
44	825515004	Feed base plate (unit)
45	825237009	Setscrew
46	809623006	Thread cutter (unit)
47	808105107	Slide position adjusting plate
48	732034003	Lower shaft bushing
49	809053009	Feedbalancing dial 2
50	809042005	Lower shaft bushing set plate
51	000115607	Setscrew TP4x8
52	000101703	Setscrew 4x12
53	858570009	Bobbin holder (unit)
54	102261000	Bobbin

# PARTS LIST

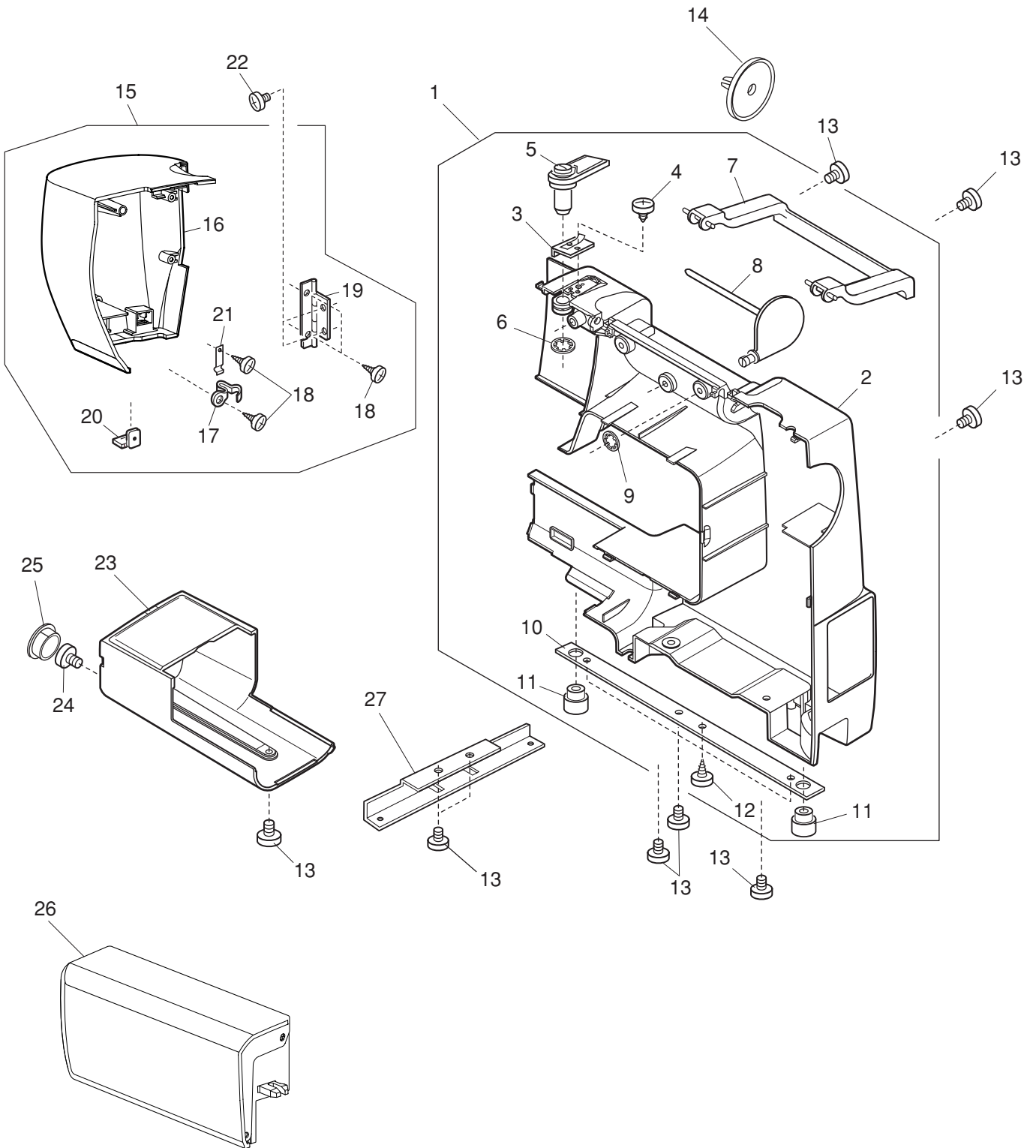




# PARTS LIST

KEY NO.	PARTS NO.	DESCRIPTION
1	809608005	Presser foot pressure adjustment (unit)
2	809018002	Presser foot pressure adjusting set plate
3	808078203	Presser foot pressure dial
4	808079008	Adjusting arm 1
5	808080002	Adjusting arm 2
6	000002105	Snap ring E-3
7	000081005	Setscrew 4x8
8	809616006	Needle plate (unit)
9	809132003	Needle plate
10	809133004	Hook cover plate supporter
11	809134005	Hook cover plate supporter base
12	809135006	Guide holder
13	809137008	Cutter
14	000014306	Snap ring CS-3
15	825016000	Hook cover plate release button
16	825017001	Spring
17	809050006	Rotation stopper
18	000163703	Setscrew 2x3.5
19	820374004	Setscrew 2x2.3
20	681009101	Setscrew
21	809136100	Hook cover plate
22	808614001	Idler (unit)
23	808038005	Idler set plate
24	625217100	Idler
25	000002806	Snap ring E-6
26	000115607	Setscrew TP4x8
27	809617203	Bobbin winder (unit)
28	809140004	Bobbin winder set plate
29	809505001	Bobbin winder arm (unit)
30	000001609	Snap ring E-5
31	809141005	Clutch lever
32	000120203	Setscrew 3x8 (B)
33	809143007	Cam
34	856512007	Switch (unit)
35	000081706	Setscrew 2.5x5
36	809147001	Spring
37	000013903	Snap ring CS-5
38	809054000	Setscrew
39	000063104	Nut
40	808617004	DC motor (unit)
41	808502005	DC motor (unit)
42	000115700	Setscrew TP4x10
43	808639507	Switching regulator (unit)
44	000103509	Setscrew 4x10
45	808504007	Printed circuit board P (unit)
46	808093101	Cord guide
47	862647001	Thread cutter holder (unit)
48	809118003	Bobbin winder cover
49	000188209	Nylon clip ACC-1.5
50	000188405	Nylon clip ACC-2

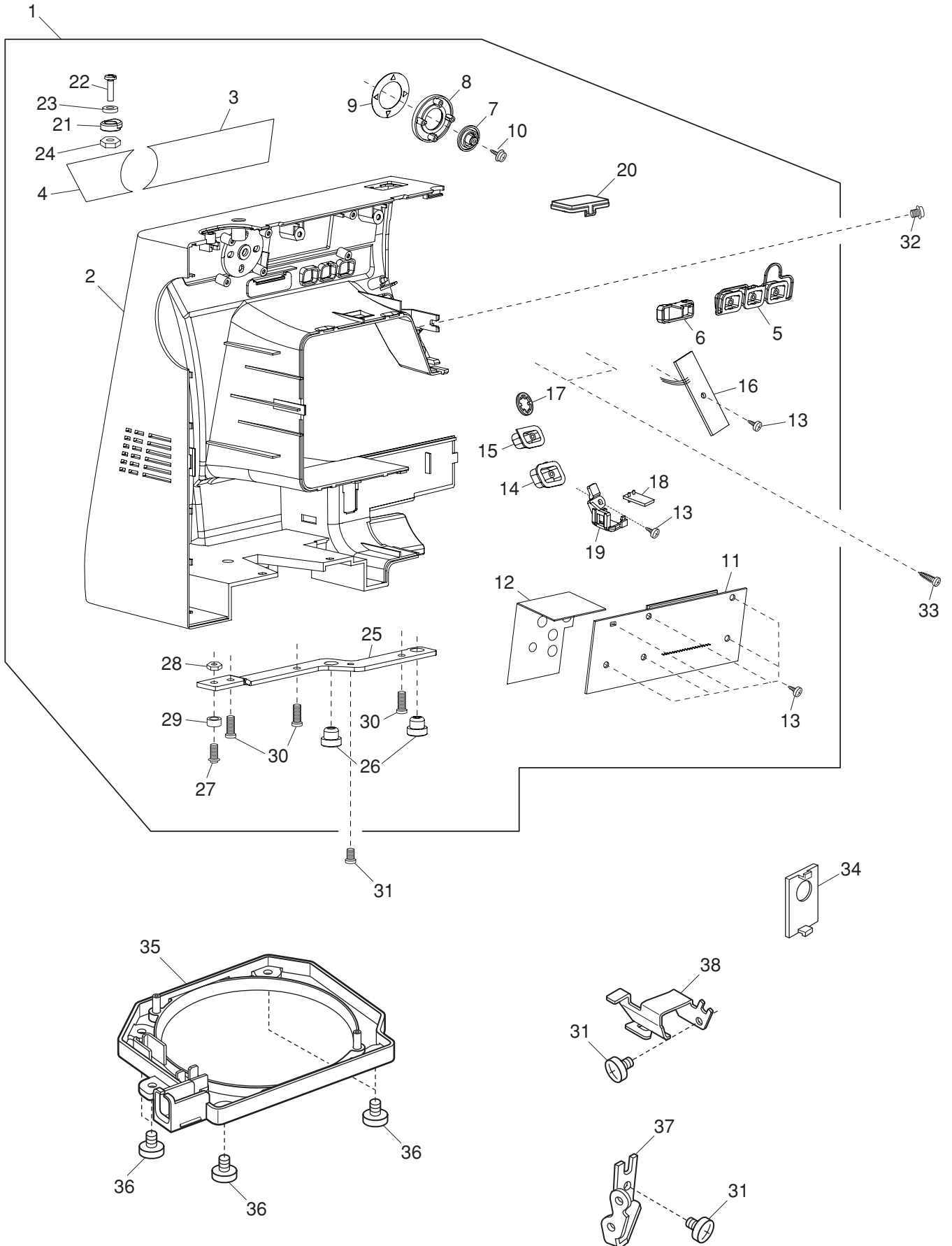
# PARTS LIST



# PARTS LIST

KEY NO.	PARTS NO.	DESCRIPTION
1	809610402	Rear cover (unit)
2	809104305	Rear cover
3	827503108	Top cover thread guide (unit)
4	000162001	Setscrew 2.6x5
5	650503089	Thread guide (unit)
6	000014409	Snap ring CS-8
7	809105007	Carrying handle
8	809027004	Spool pin
9	000013800	Snap ring CS-6
10	809028005	Arm leg rear
11	735003002	Bed rubber cushion
12	000198604	Setscrew 4x14 (B)
13	000081005	Setscrew 4x8
14	822020503	Spool holder
15	809650002	Face plate (unit)
16	809061A01	Face plate
17	731067002	Face plate spring
18	000161206	Setscrew 3x10 (B)
19	843545009	Face plate hinge (unit)
20	840602006	Thread cutter (unit)
21	859233000	Spring
22	000081119	Setscrew 4x6
23	809124002	Free arm cover
24	000101404	Setscrew 4x6
25	745033002	Cap
26	809531006	Extension table (unit)
27	809024001	Arm sole set plate

# PARTS LIST

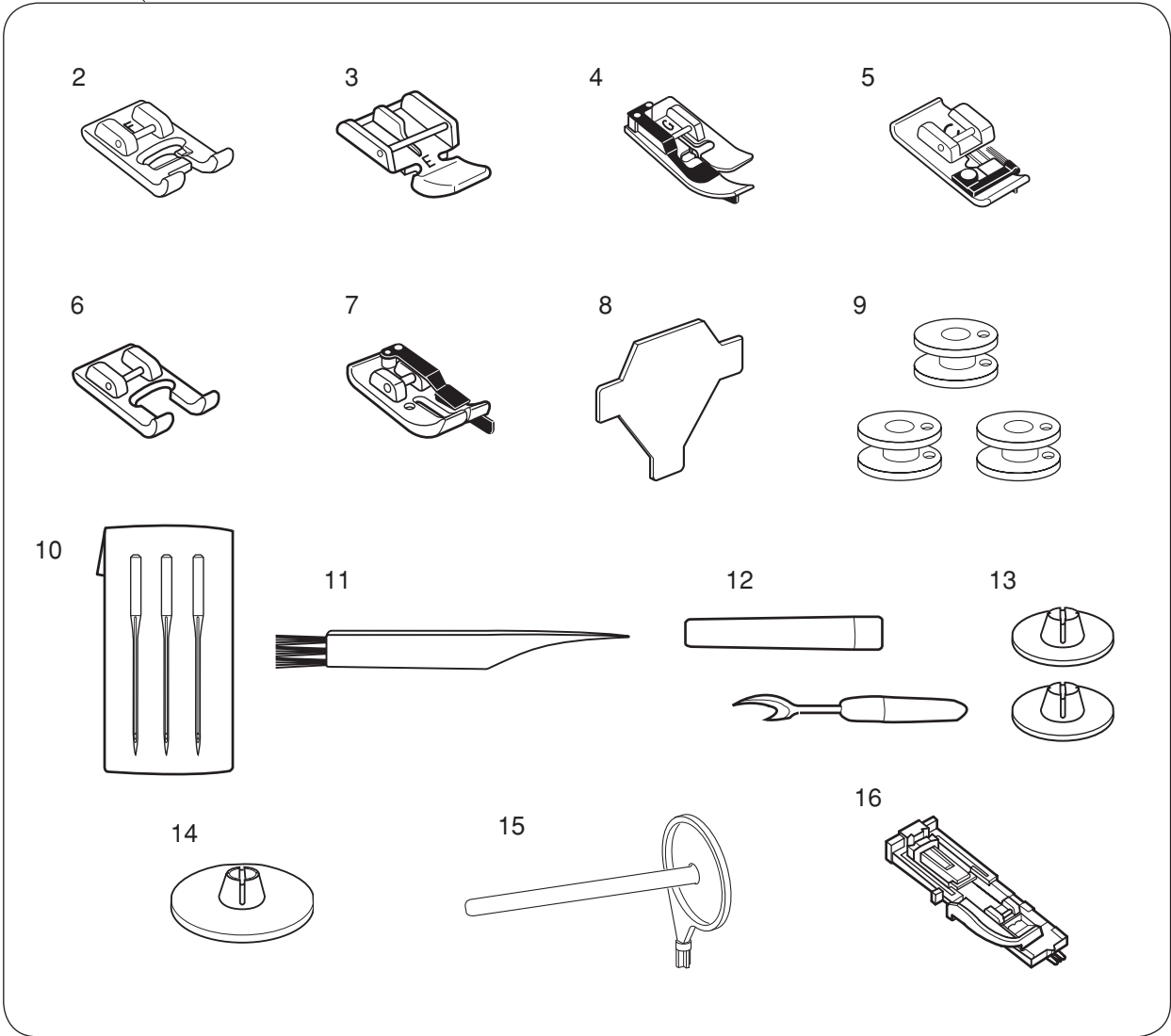


# PARTS LIST

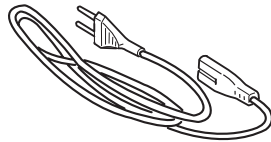
KEY NO.	PARTS NO.	DESCRIPTION
1	809649503	Front cover (unit)
2	809056A04	Front cover
3	809057A01	Ornamental panel 1
4	809058A01	Ornamental panel 2
5	809059B01	Function button
6	809060009	Slide volume
7	806065005	Key
8	806066006	Indicator window
9	806067409	Button supporter
10	000109000	Setscrew 3x6
11	808400219	Printed circuit board A (unit)
12	808121006	Flame retardant insulating sheet
13	000120203	Setscrew 3x8 (B)
14	809035A01	Button 3
15	809034D02	Button 2
16	808507000	Printed circuit board F (unit)
17	000014306	Snap ring CS-3
18	808511105	Printed circuit board L (unit)
19	808118000	Lamp holder 2
20	809119004	Front cover lid
21	846177108	Bobbin winder stopper
22	000101828	Setscrew 4x16
23	000071013	Washer
24	000061205	Nut 4-3-7
25	809125003	Arm sole front
26	735003002	Rubber foot
27	000114802	Setscrew TP4x12
28	000160102	Adjustable lock nut 4
29	639005003	Rubber foot
30	000198604	Setscrew 4x14 (B)
31	000081005	Setscrew 4x8
32	000115205	Setscrew TP4x6
33	000160401	Setscrew 4x16 (B)
34	809039009	Cap
35	808059301	Bed cover
36	000149312	Setscrew 3x8
37	639080002	Front cover set plate
38	808016007	Arm thread guide

# PARTS LIST

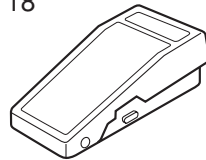
1



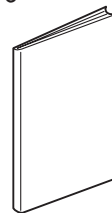
17



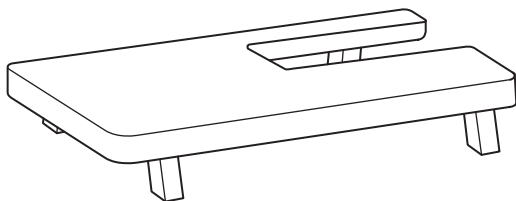
18



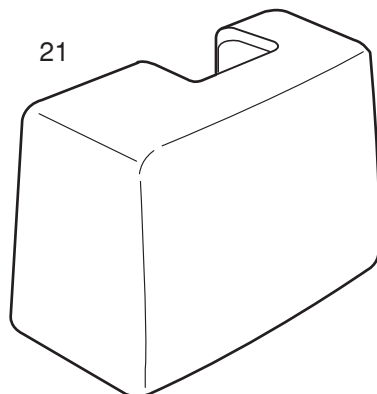
19



20



21



## PARTS LIST

KEY NO.	PARTS NO.	DESCRIPTION
1	808870240	Standard accessory set
2	822804118	Satin foot
3	829801002	Zipper foot
4	825817009	Blind hem foot
5	822801001	Overedge foot
6	832427103	Open toe satin stitch foot
7	200008037	1/4" seam foot
8	653802002	Screw key
9	102261000	Bobbin
10	639804000	Needle set
11	802424004	Lint brush
12	647808009	Seam ripper (Buttonhole opener)
13	822019509	Spool holder (small)
14	822020503	Spool holder (large)
15	809146000	Additional spool pin
16	753801004	BH foot
17	830335004	Power supply cord
18	C-1036	Foot control
19	809850004	Instruction book
20	808401003	Large extension table
21	404701002	Cover