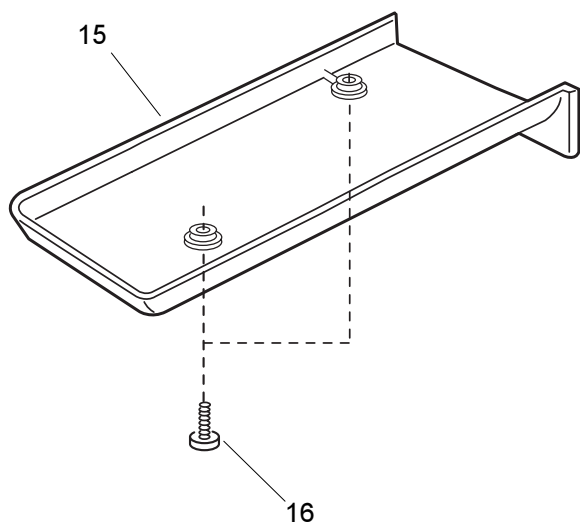
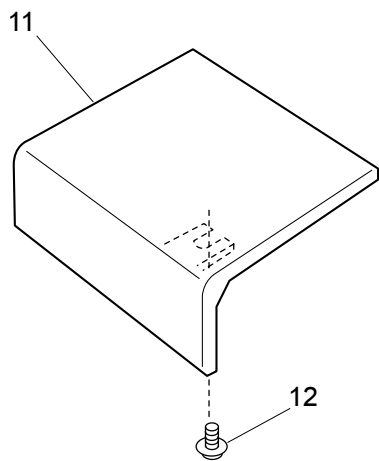
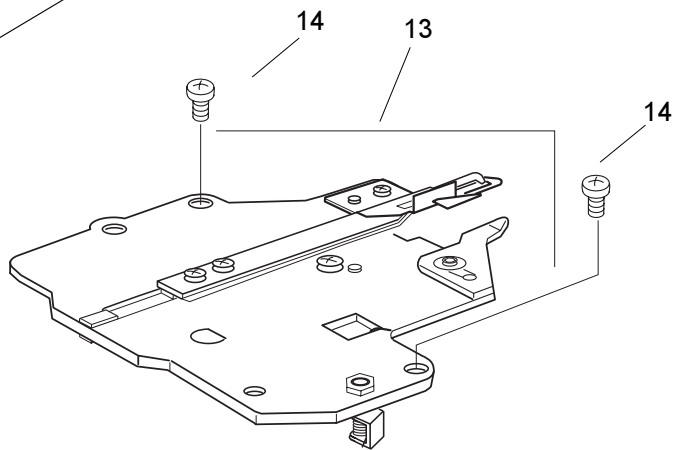
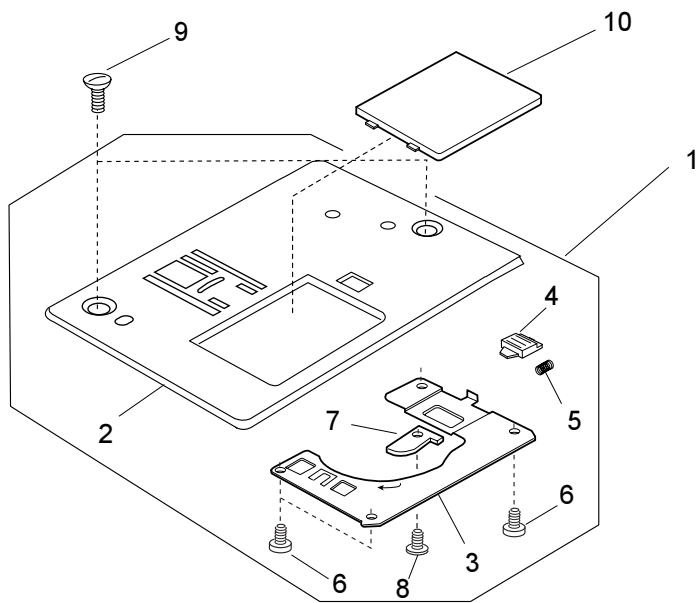


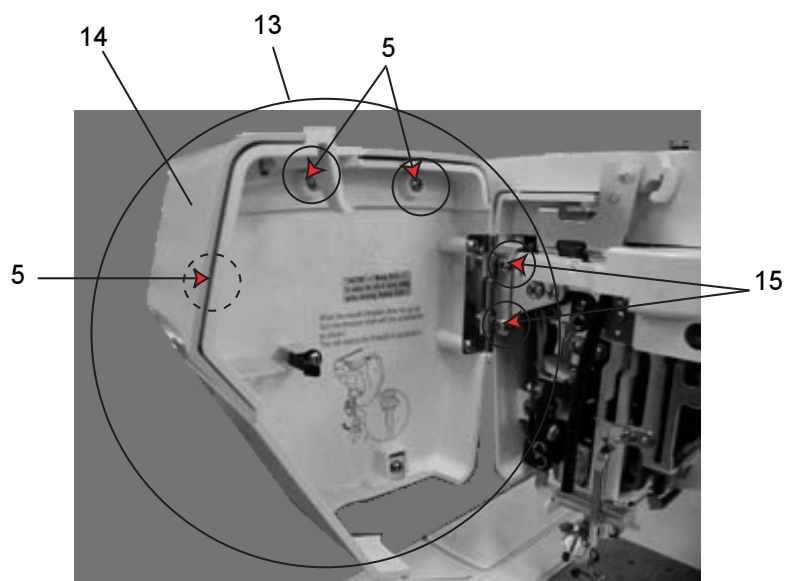
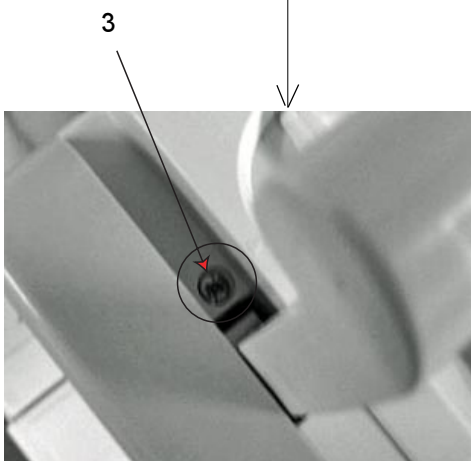
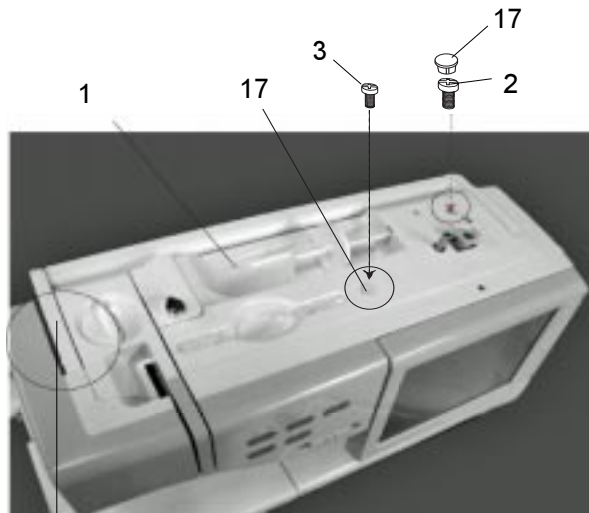
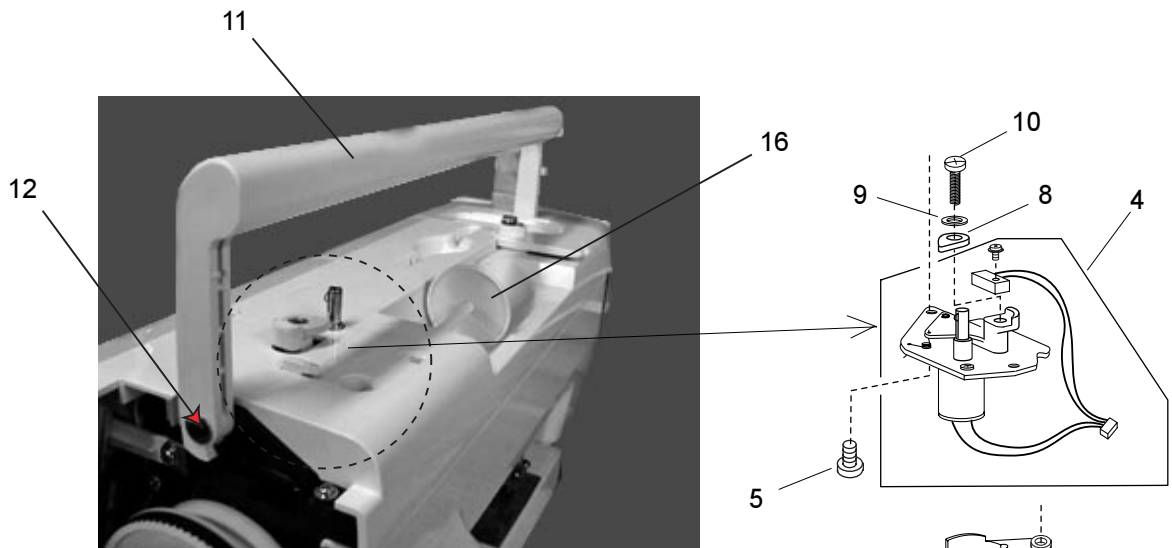
# ***PARTS LIST***



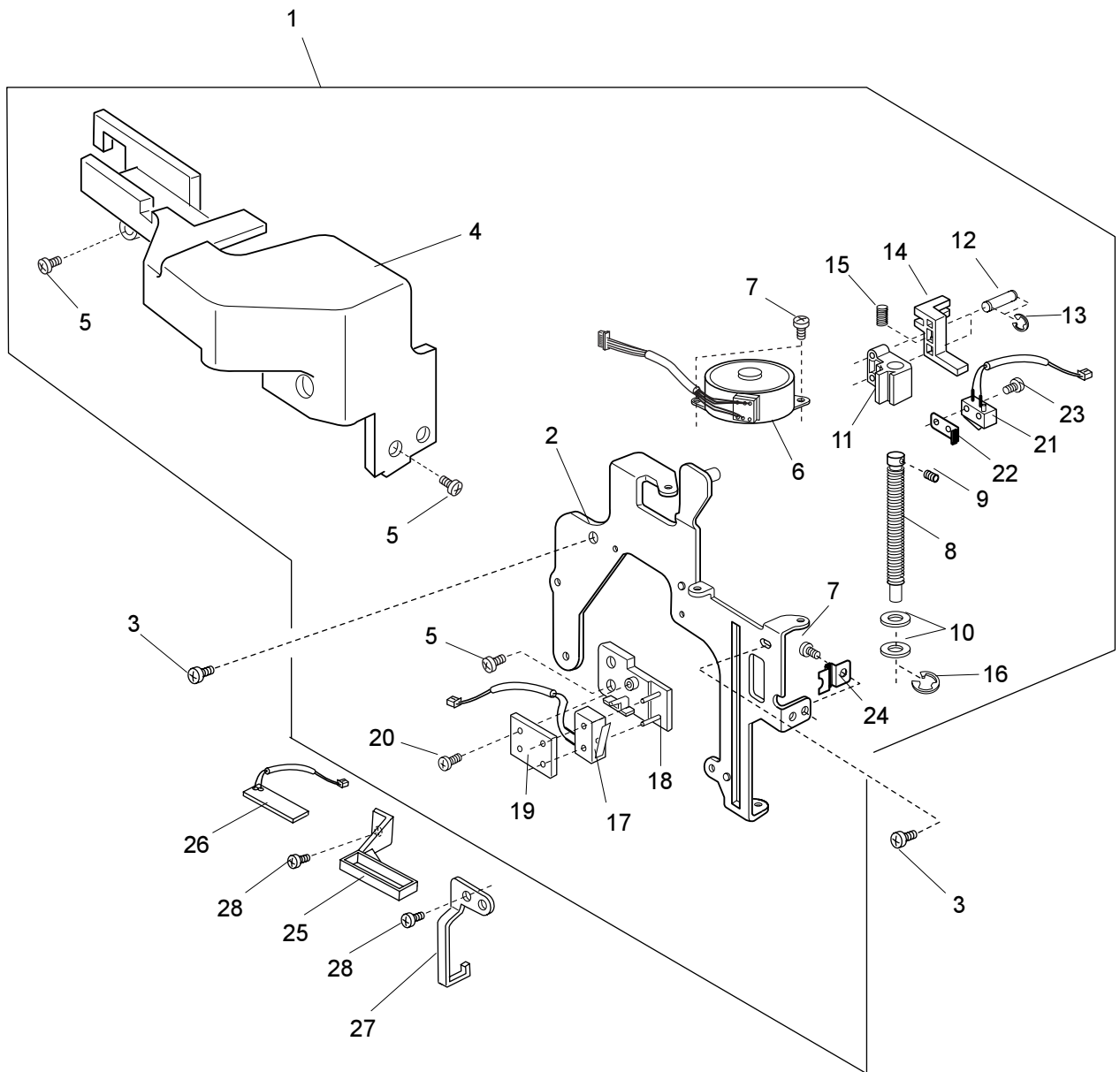
*Memory Craft 11000*



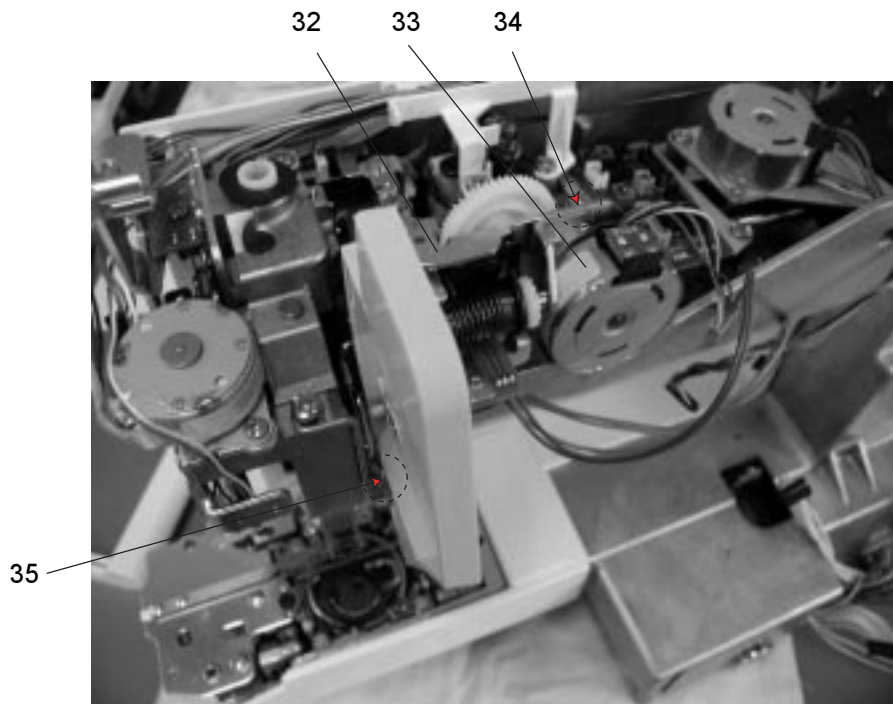
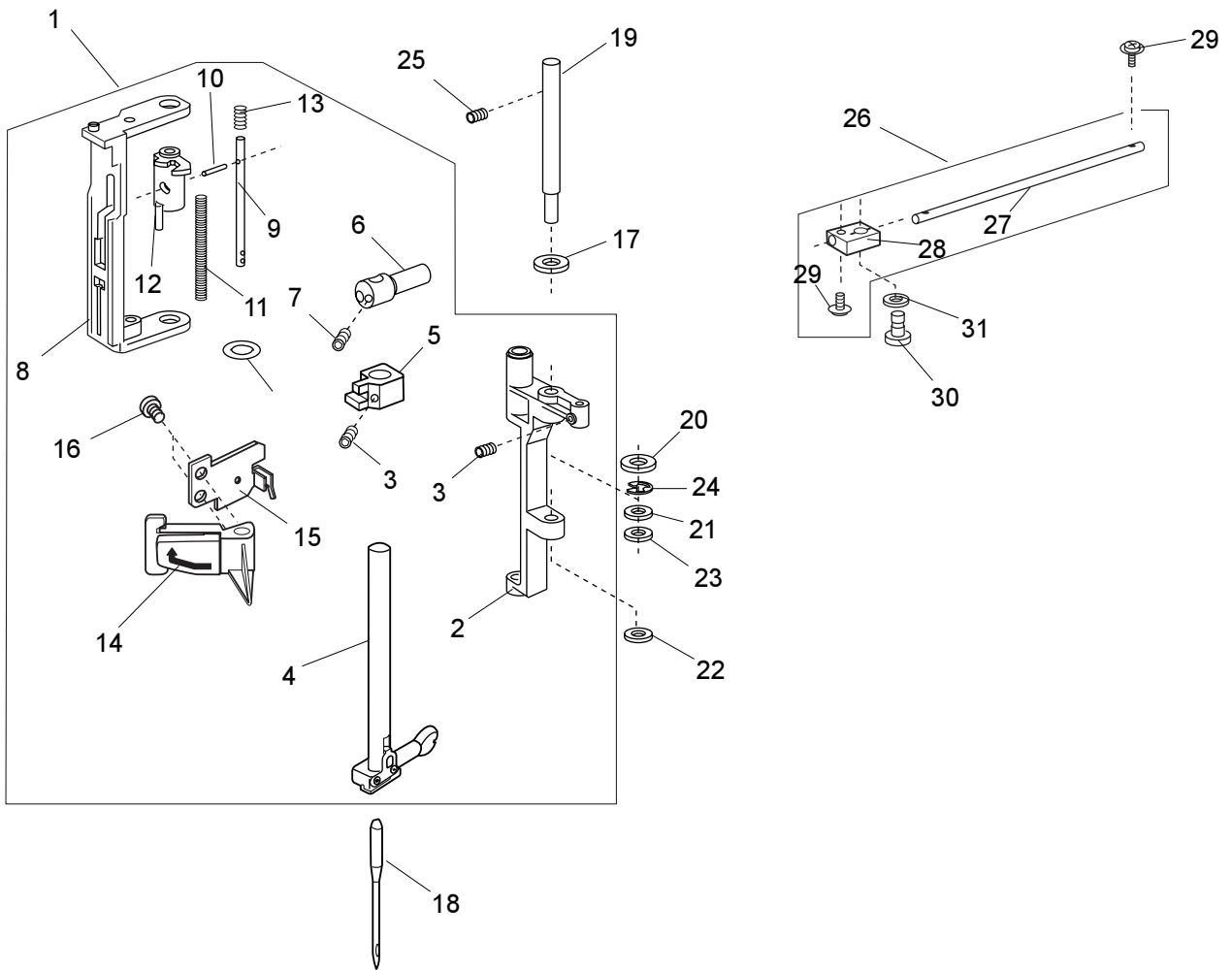
Ref.	Part No.	Description
1	860544001	Needle plate (unit)
2	860023009	Needle plate
3	846030005	Hook cover plate supporter
4	825016000	Hook cover plate supporter block
5	825017001	Spring
6	820374004	Setscrew 2x2.3
7	846222006	Bobbin holder stopper
8	000097613	Setscrew 2x4
9	820390109	Setscrew
10	846271103	Hook cover plate
11	860049001	Thread cutter cover
12	000115205	Setscrew TP 4x6
13	860625007	Thread cutter (unit)
14	000081005	Setscrew 4x8
15	860091008	Bed cover
16	000103509	Setscrew 4x10
17	860542009	Extension table (unit)



Ref.	Part No.	Description
1	860637002	Top cover (unit)
2	000103200	Setscrew 4x30
3	000066705	Setscrew 3x6
4	846606008	Bobbin winder (unit)
5	000120203	Setscrew 3x8
6	846179007	Bobbin winder motor cover
7	000119704	Setscrew 3x14
8	846177005	Bobbin winder stopper
9	000071013	Washer
10	000104119	Setscrew 4x20
11	860090007	Carrying handle
12	000001609	Snap ring E5
13	860636012	Face plate (unit) for U.S.A. (860636001)
	860658218	Face plate unit for Canada (860658102)
	860636311	Face plate unit for Continental Europe (860636300)
	860636115	Face plate unit for Australia & U.K. (860636104)
14	860087104	Face plate panel
15	000077503	Setscrew 4x6
16	822020503	Spool holder (large)
17	653006101	Cap

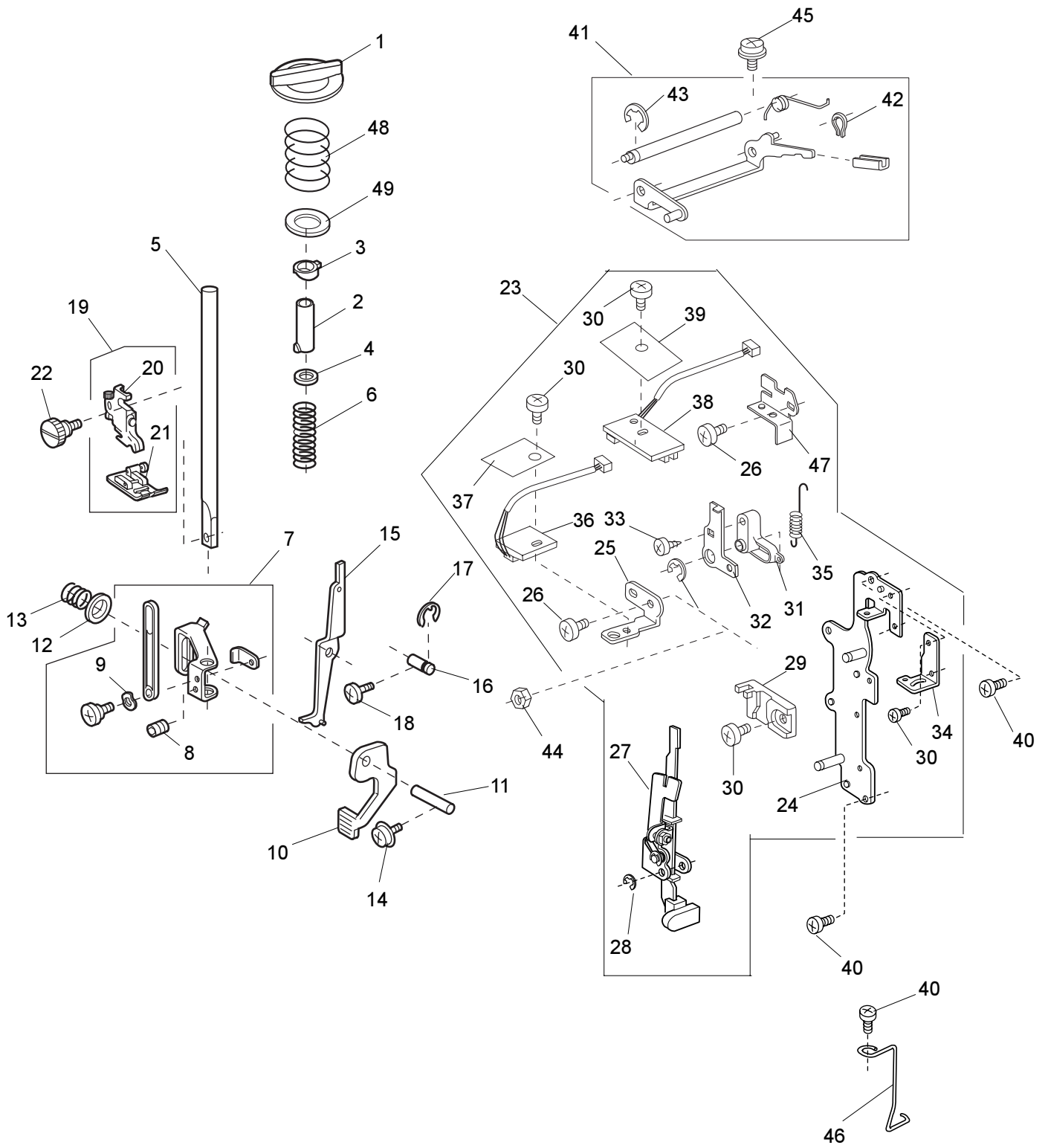


Ref.	Part No.	Description
1	860612001	Needle threader motor (unit)
2	860018001	Front set plate
3	000081005	Setscrew 4x8
4	850019012	Motor cover
5	000103819	Setscrew 3x5
6	860525006	Stepping motor(unit)
7	000101105	Setscrew 3x4
8	850015007	Threader feed screw
9	000110509	Hexagonal socket screw 3x3
10	000036603	Thrust washer FT50
11	850016019	Threader carriage1
12	850098004	Threader carriage pin
13	000002301	Snap ring E2
14	850017009	Threader carriage 2
15	850018000	Threader carriage spring
16	000002507	Snap ring E4
17	850507207	Micro switch (unit)
18	850170001	Switch set plate
19	850171002	Switch cover
20	000162805	Setscrew 2x6 (B)
21	850538104	Micro switch (unit)
22	850652002	Cord guide 1 (unit)
23	000134004	Setscrew 2x10 (B)
24	850653003	Cord guide 2 (unit)
25	860184009	Lamp set plate
26	860518006	Printed circuit board L3 (unit)
27	860185000	Lamp supporter
28	000103808	Setscrew 3x5

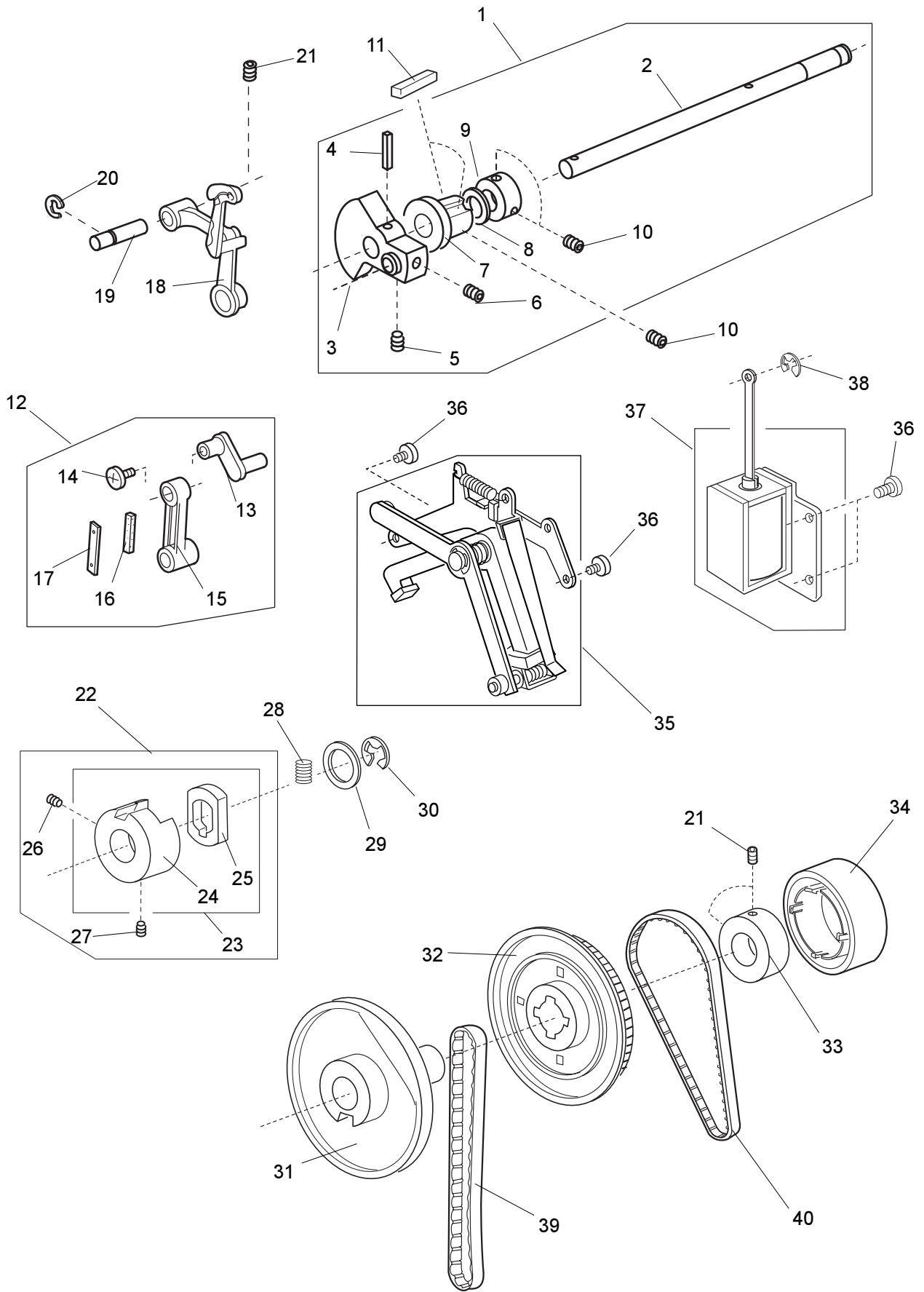




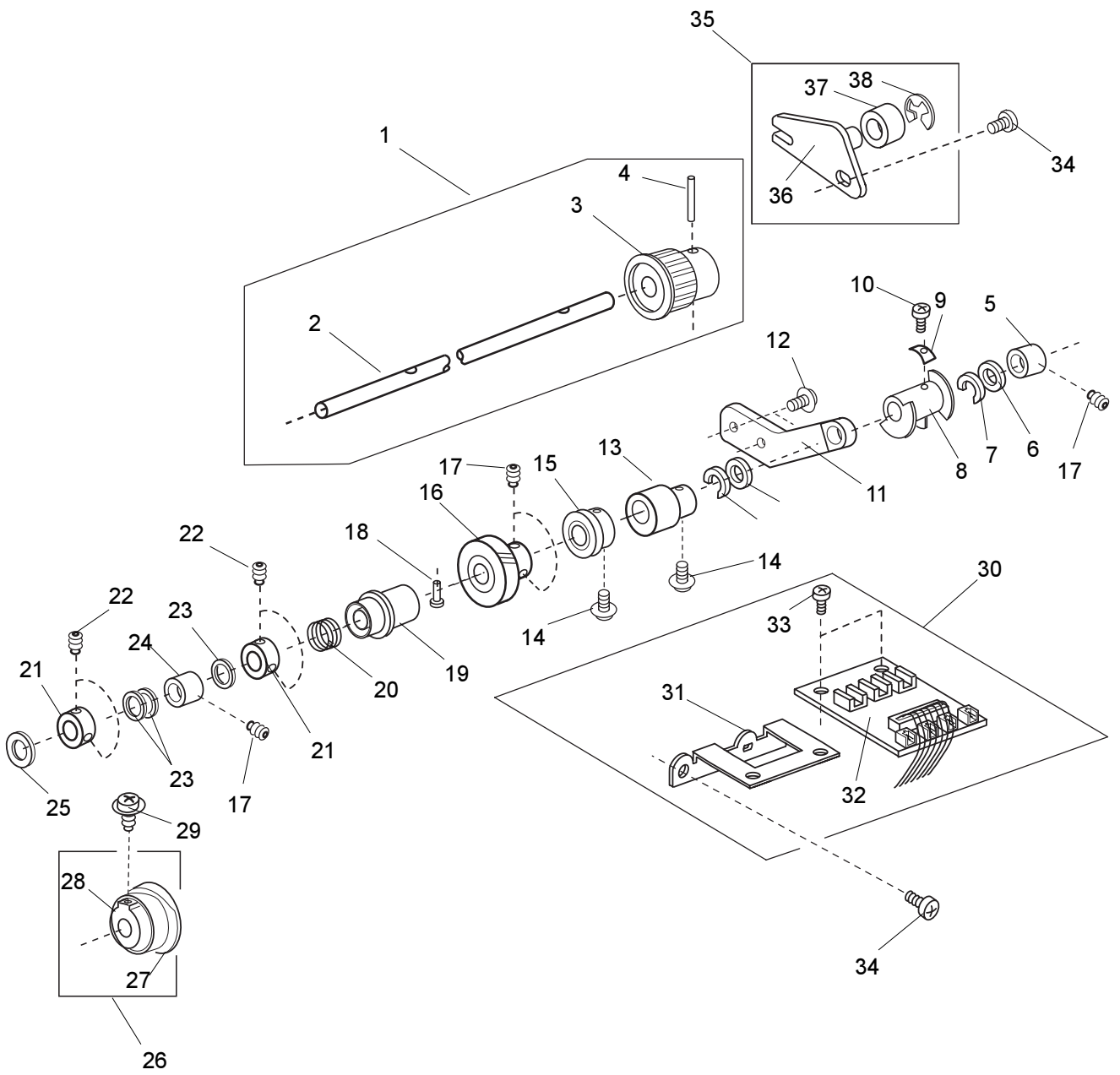
Ref.	Part No.	Description
1	850605000	Needle bar supporter (unit)
2	850020005	Needle bar supporter
3	000111902	Hexagonal socket screw 3x4
4	830609208	Needle bar (unit)
5	751016008	Threader positioning setting base
6	751047008	Needle bar connecting stud
7	000111201	Hexagonal socket screw 4x4
8	850022007	Threader flame
9	850023019	Threader shaft
10	850173004	Pin
11	850024009	Threader shaft spring
12	850025000	Threader guide
13	850026001	Threader guide spring
14	850631005	Threader holder (unit)
15	850508013	Threader plate (unit)
16	000102807	Setscrew 2x4
17	000174110	O Ring
18	102408089	Needle HAX3N-14
19	823018006	Needle bar supporter shaft
20	822063003	Felt (2)
21	000036108	Thrust washer FT70
22	000036603	Thrust washer FT50
23	000116000	Washer 7
24	000001609	Snap ring E5
25	000111108	Hexagonal socket screw 4x6
26	860610009	Zigzag width rod (unit)
27	860024000	Zigzag width rod
28	823065008	Needle bar supporter connecting stud
29	000115308	Setscrew TP 2x8
30	823066009	Connecting rod shaft
31	000116103	Washer4
32	860613002	Thread tension (unit)
33	860523303	Stepping motor (unit)
34	000115205	Setscrew TP 4x6
35	000101703	Setscrew 4x12



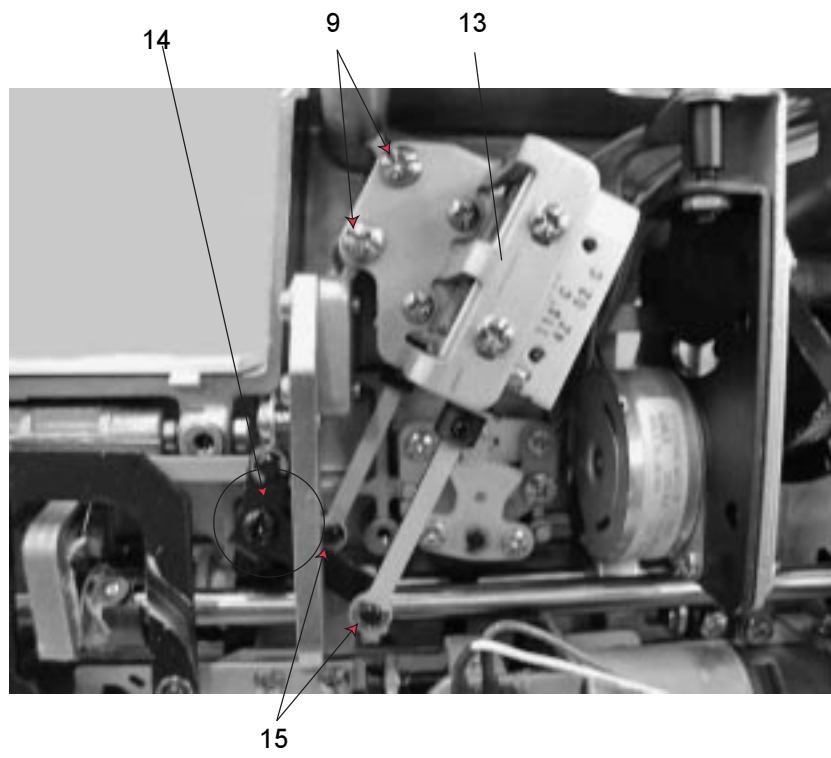
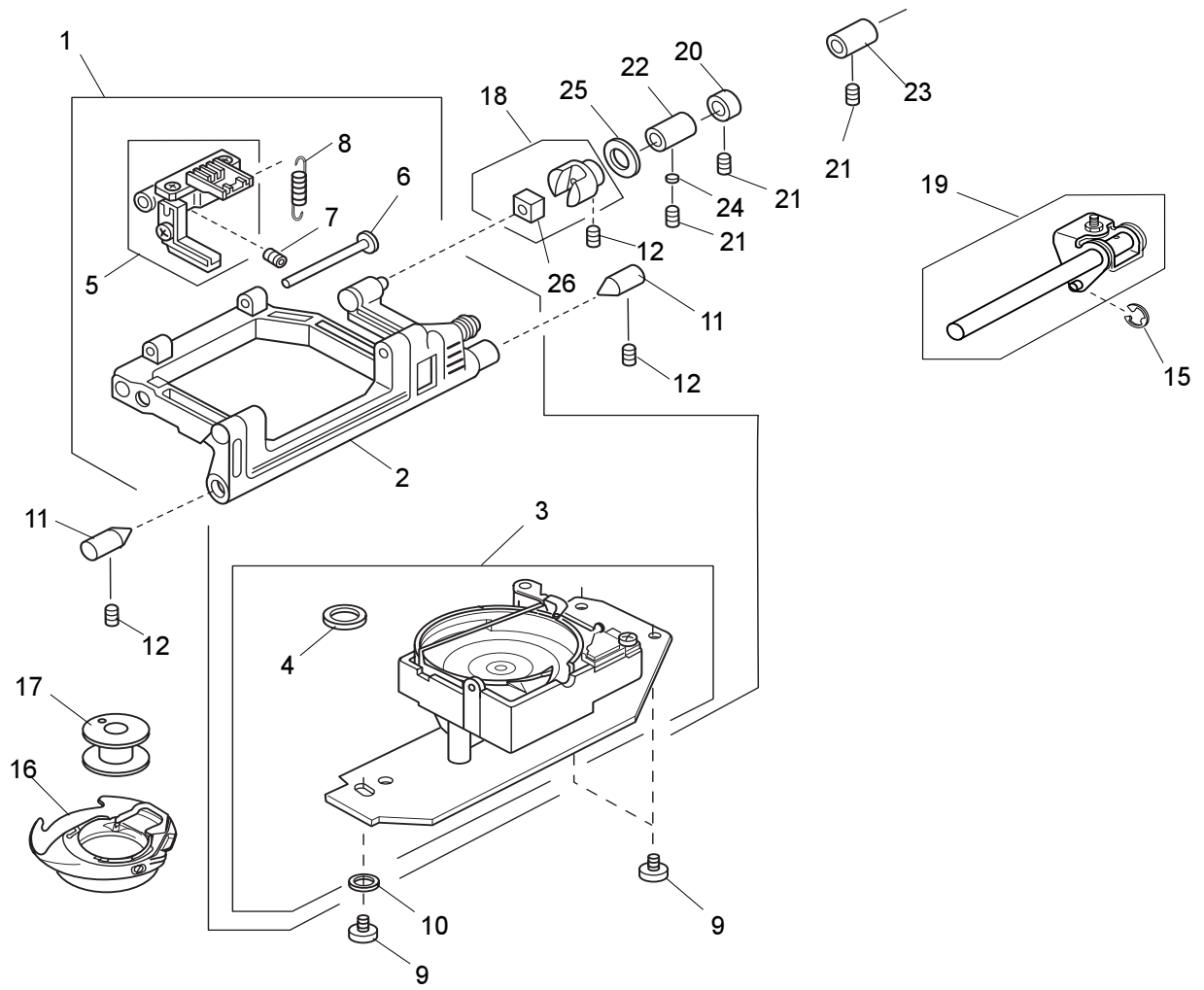
Ref.	Part No.	Description
1	860014007	Presser foot pressure adjusting dial
2	830027000	Presser bar bushing
3	830028001	Pressure adjusting cam
4	102061008	Washer
5	830029002	Presser bar
6	830030006	Presser bar spring
7	830586035	Presser bar supporter (unit)
8	000111500	Hexagonal socket screw 4x8
9	000116608	Washer 5
10	830035012	Presser foot lifter
11	822072005	Presser foot lifter pin
12	000070609	Washer 6
13	102222009	Spring
14	000115629	Setscrew TP 4x8
15	830037025	Tension release lever
16	830338007	Tension release lever pin
17	000002507	Snap ring E4
18	000081027	Setscrew 4x8
19	832501009	Presser foot (unit)
20	830504017	Presser foot holder (unit)
21	832523007	Zigzag foot (unit)
22	825252000	Thumbscrew
23	860611000	Front bracket (unit)
24	860095002	Front bracket
25	846044002	Sensor set plate
26	000101105	Setscrew 3x4
27	850630107	Buttonhole lever (unit)
28	000002105	Snap ring E3
29	830057010	Buttonhole lever guide
30	000103808	Setscrew 3x5
31	832206001	Presser foot sensor link
32	860211006	P foot sensor shielding plate
33	000161103	Setscrew 3x6 (B)
34	850034002	Threader guide
35	860212007	P foot shielding plate spring
36	852502600	Printed circuit board G1 (unit)
37	853028002	Insulation paper
38	860514002	Printed circuit board G1 (unit)
39	860097004	Insulation paper
40	000081005	Setscrew 4x8
41	832566024	Presser foot actuator arm(unit)
42	000014605	Grip ring6
43	000001609	Snap ring E5
44	000061205	Nut 4-3-7
45	000115629	Setscrew TP 4x8
46	830039027	Arm thread guide
47	860096003	P foot sensor set plate
48	834131000	Pressure adjusting dial spring
49	834132001	Washer



Ref.	Part No.	Description
1	860540007	Upper shaft (unit)
2	860006006	Upper shaft
3	860007007	Take-up lever crank
4	000020707	Spring pin 4x20
5	000110901	Hexagonal socket screw 5x4
6	000111706	Hexagonal socket screw 5x8
7	670079108	Upper shaft front bushing
8	000035901	Washer
9	658019009	Ring
10	000111304	Hexagonal socket screw 5x5
11	731312005	Felt
12	850662005	Needle bar crank (unit)
13	652143005	Needle bar crank pin
14	647139002	Needle bar crank pin cover
15	650039001	Needle bar crank rod
16	650040005	Felt
17	650041006	Spring
18	820511201	Thread take-up lever (unit)
19	650062003	Thread take-up lever pin
20	000001702	Snap ring E6
21	000111201	Hexagonal socket screw 4x4
22	846650007	Clutch base (unit)
23	846520007	Clutch base (unit)
24	846077004	Clutch base
25	846078005	Connecting block
26	000177607	Hexagonal socket screw 5x8
27	000111706	Hexagonal socket screw 5X8
28	846079006	Clutch spring
29	846191005	Washer
30	000030009	Snap ring E10
31	846189000	Clutch cam
32	846080000	Belt wheel
33	846082002	Ring
34	846081104	Hand wheel
35	860606002	Clutch base plate (unit)
36	000081005	Setscrew 4x8
37	860607003	Solenoid set plate (unit)
38	000002105	Snap ring E3
39	650071005	Timing belt
40	803079003	Timing belt

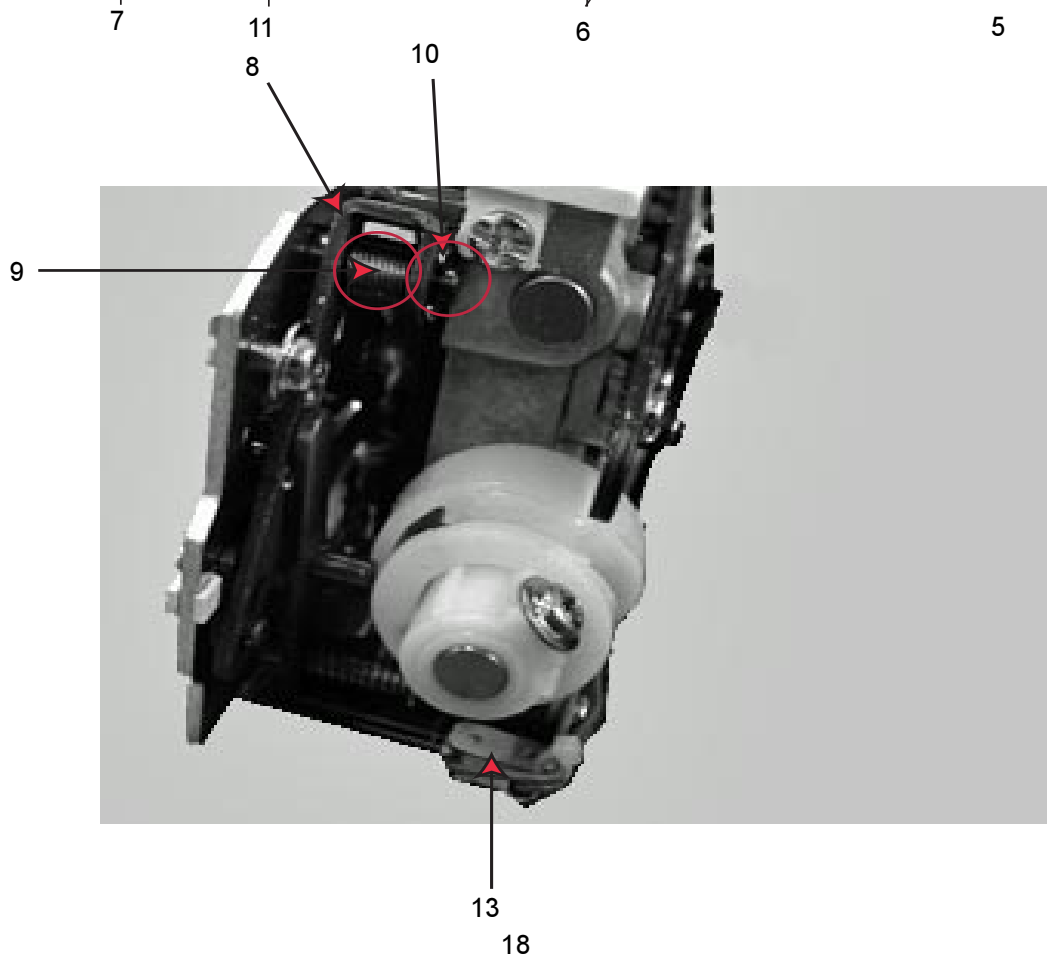
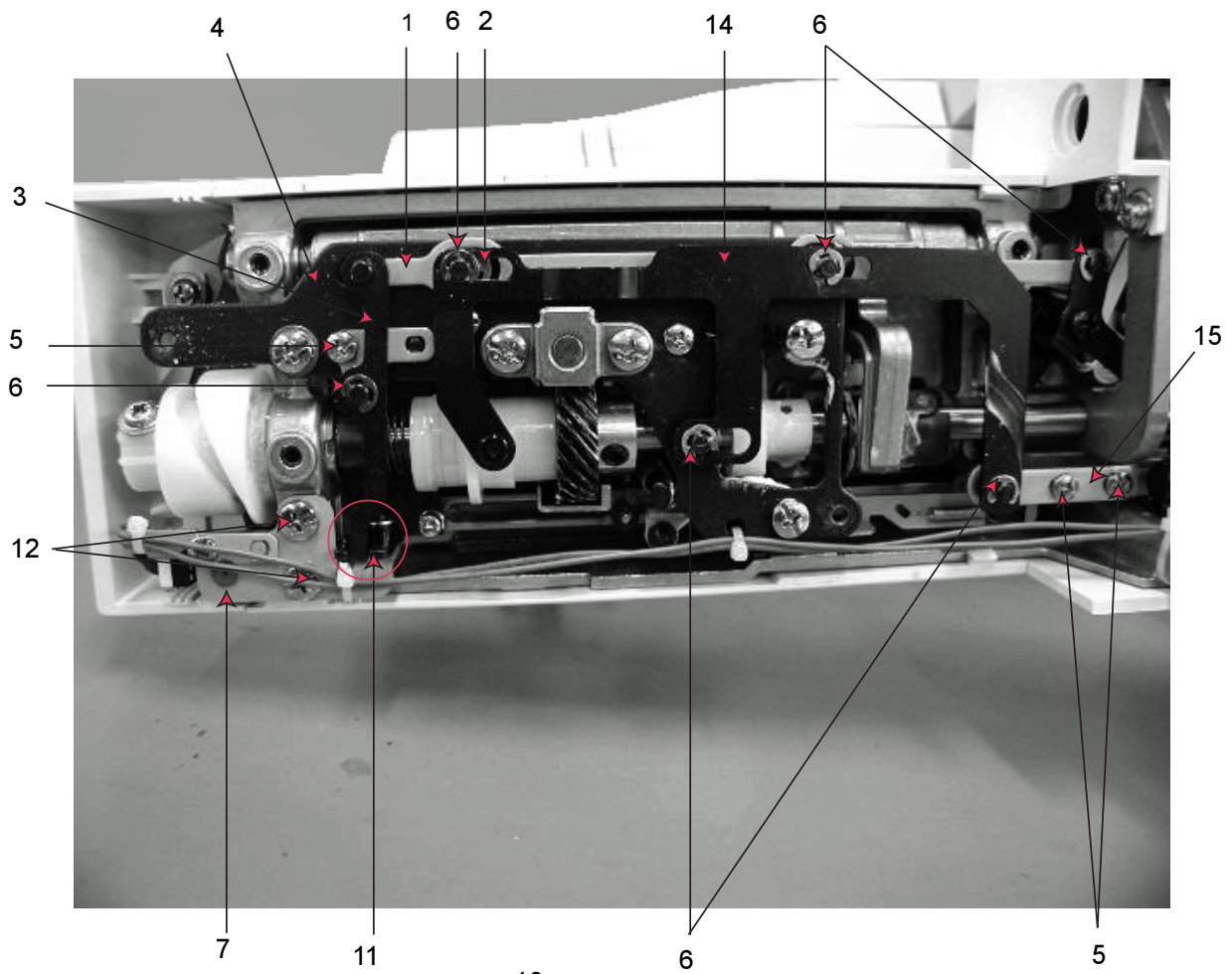


Ref.	Part No.	Description
1	860614003	Lower shaft (unit)
2	860029005	Lower shaft
3	650073007	Lower shaft gear
4	000004200	Knock pin 3x18
5	650079003	Lower shaft bushing (rear)
6	822070003	Felt (1)
7	822112008	Felt holder (1)
8	860098005	Lower shaft shielding plate
9	846192006	Washer
10	000080406	Setscrew 3x10
11	860030009	Lower shaft supporter
12	000114802	Setscrew TP 4x12
13	846205106	Feed cam
14	000149600	Setscrew 3x14
15	860031000	Lever cam
16	650076000	Lower shaft gear
17	000111304	Hexagonal socket screw 5x5
18	820161006	Feed lifting pin
19	846103000	Feed lifting cam
20	825093001	Feed lifting cam spring
21	820166001	Lower shaft ring
22	000111201	Hexagonal socket screw 4x4
23	000038502	Washer
24	650078002	Lower shaft bushing (front)
25	735143005	Felt
26	846626004	Cam (unit)
27	846105002	Cam (1)
28	846198002	Cam (2)
29	000114802	Setscrew TP 4x12
30	860615004	Lower shaft sensor (unit)
31	860032001	Sensor set plate
32	860508003	Printed circuit board P (unit)
33	000101105	Setscrew 3x4
34	000081005	Setscrew 4x8
35	860608004	Idler base (unit)
36	860021007	Idler base
37	625217100	Idler
38	000002806	Snap ring E6

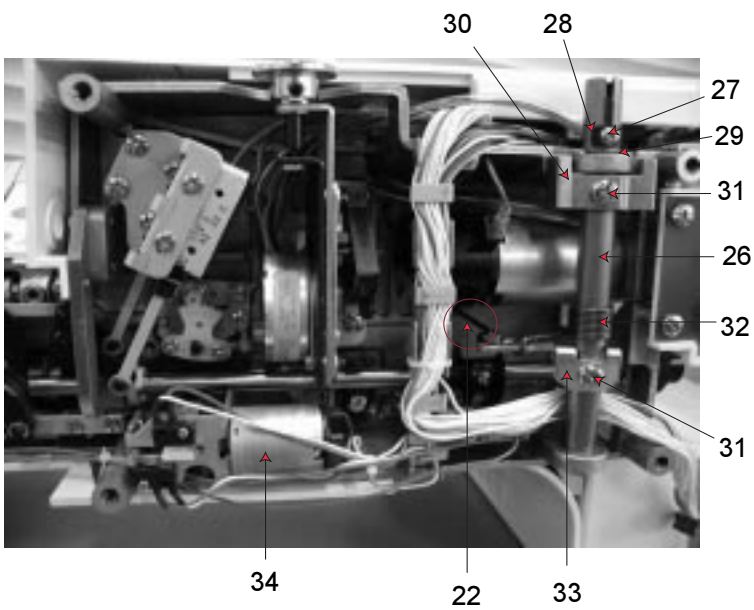
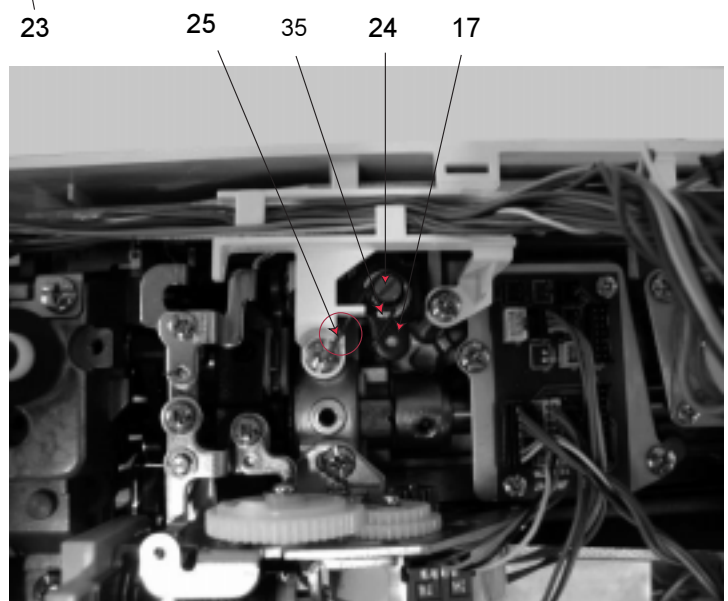
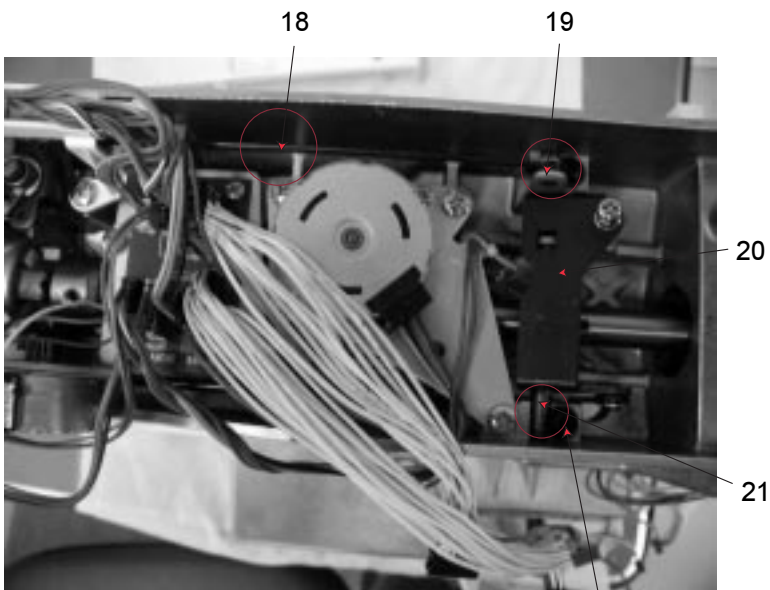




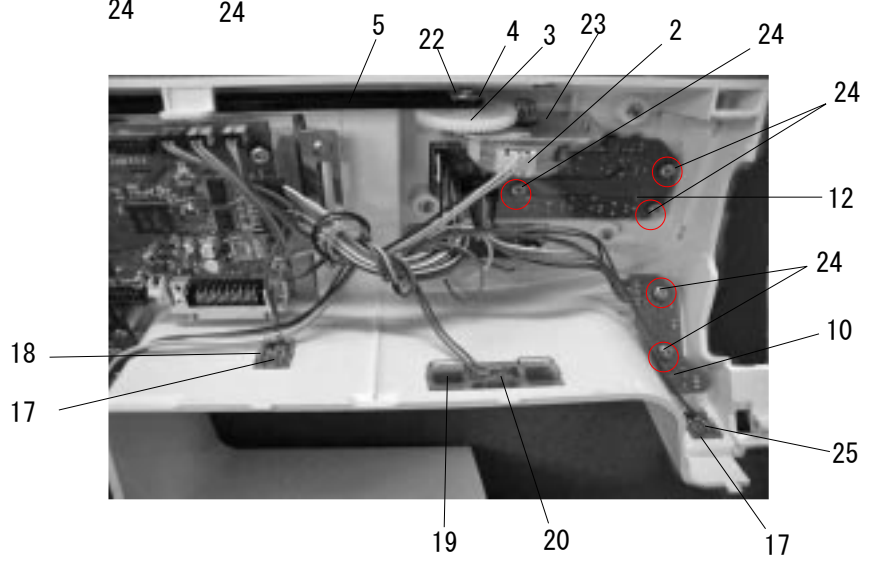
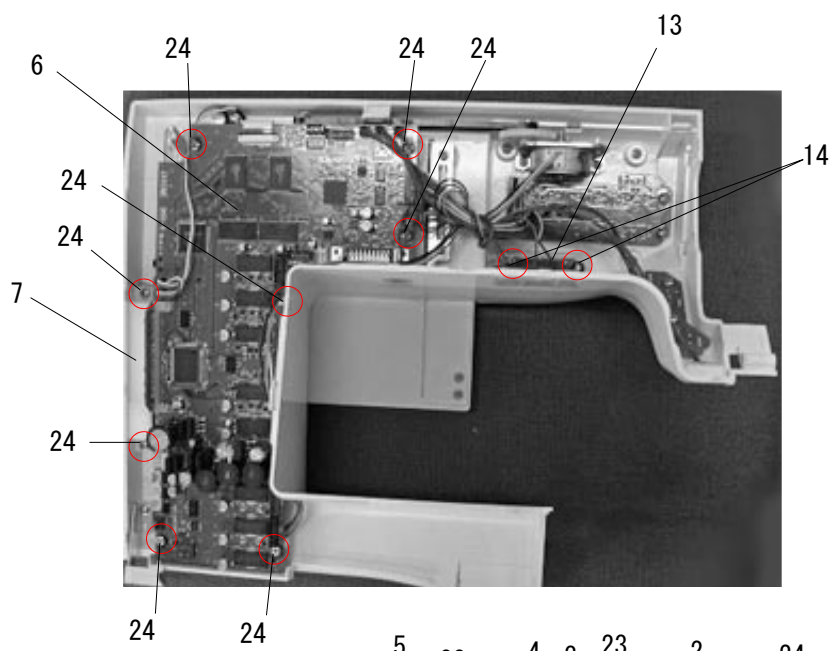
Ref.	Part No.	Description
1	860616005	Feed rock shaft (whole unit)
2	860651002	Feed rock shaft (unit)
3	860653004	Hook race (unit)
4	627190010	Magnet
5	860618007	Feed dog set base (unit)
6	825099007	Pin
7	000111407	Hexagonal socket screw 4x6
8	825103005	Feed base spring
9	000081005	Setscrew 4x8
10	000070506	Washer
11	738055008	Straight pin
12	000111304	Hexagonal socket screw 5x5
13	860619008	Solenoid set plate (unit)
14	860620002	Arm (unit)
15	000002105	Snap ring E3
16	846652102	Bobbin holder (unit)
17	102261103	Bobbin
18	625508008	Feed regulator (unit)
19	860603009	Feed shaft (unit)
20	820387000	Ring
21	000111201	Hexagonal socket screw 4x4
22	625144002	Feed shaft bushing (front)
23	650092002	Feed shaft bushing (rear)
24	650175000	Cushion
25	823110009	Felt
26	625134009	Block



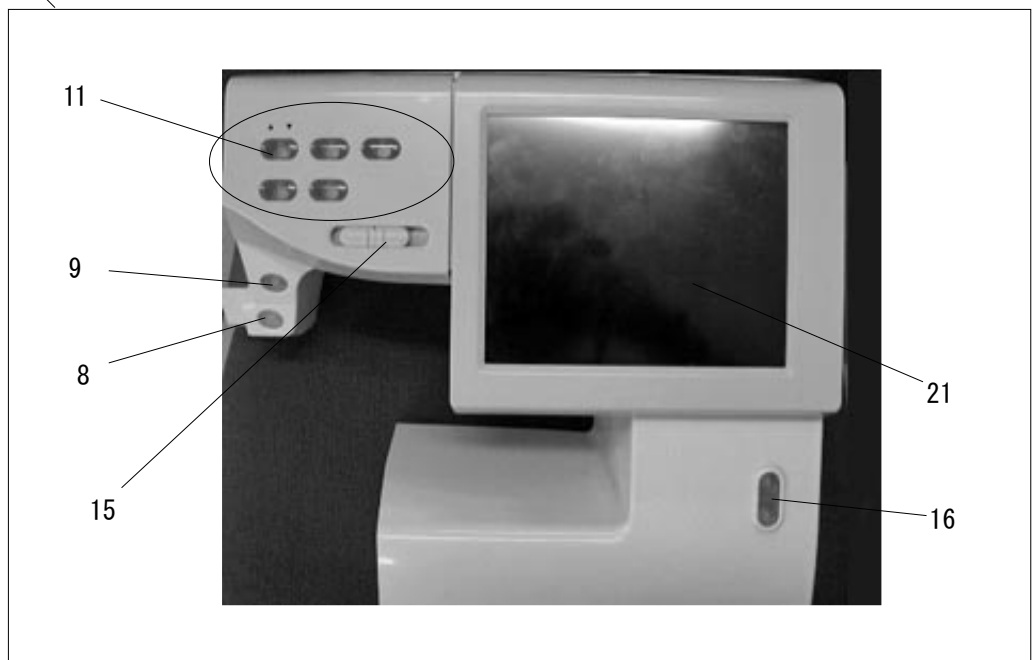
Ref.	Part No.	Description
1	860042004	Thread cutter starting rod
2	000001609	Snap ring E6
3	860043005	Thread cutter starting link
4	860044006	Starting link set plate
5	000101105	Setscrew 3x4
6	000002105	Snap ring E3
7	860045007	Feed arm shaft base
8	846233000	Feed arm (1)
9	846154006	Spring
10	000002507	Snap ring E4
11	860046008	Thread cutter starting lever
12	000081005	Setscrew 4x8
13	860624006	Thread cutter sensor (unit)
14	860201003	Drop feed lever plate
15	860209001	Drop link plate



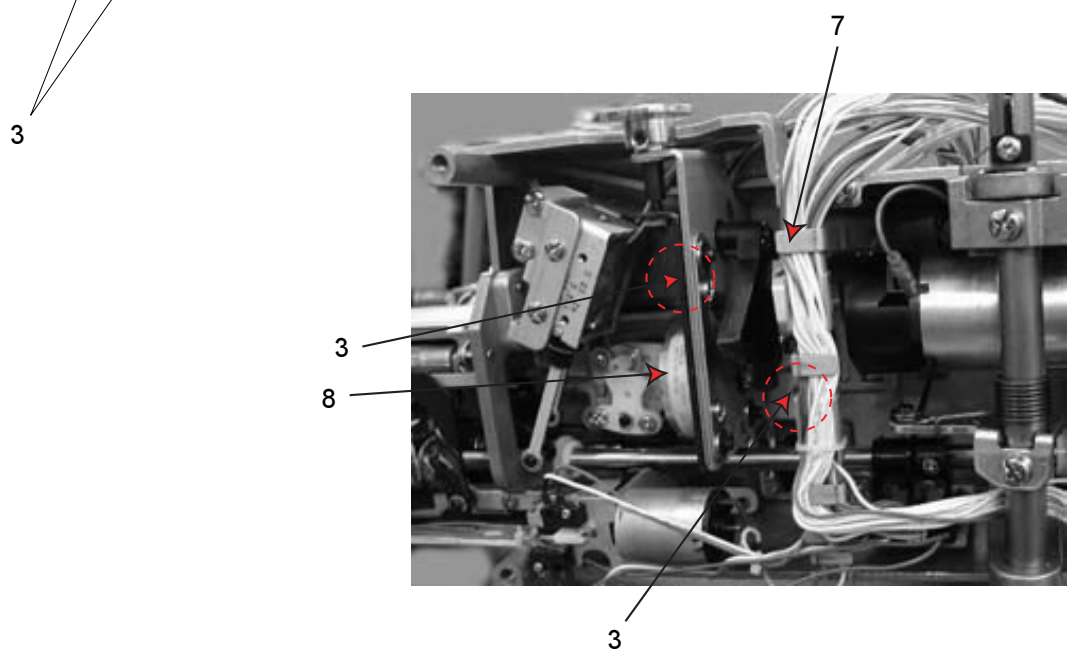
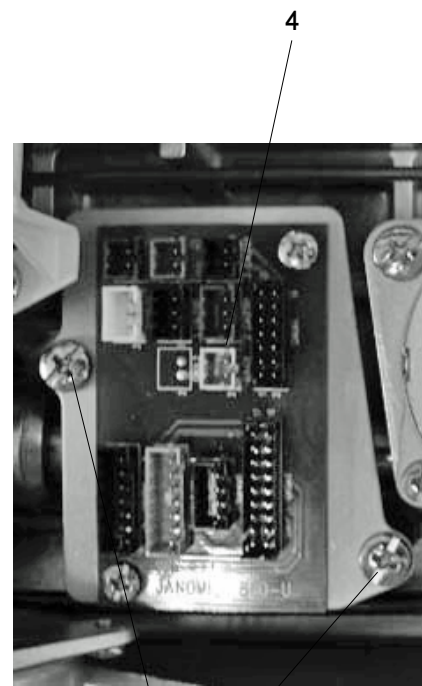
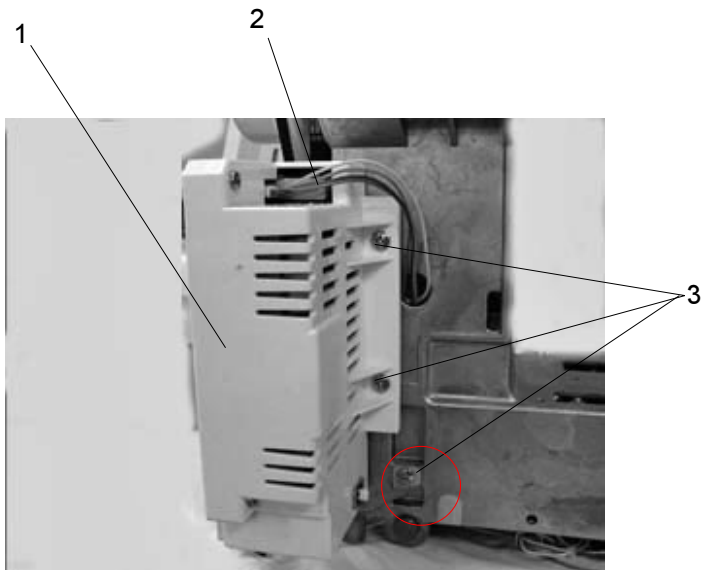
Ref.	Part No.	Description
16	860051006	Knee lifter link (1)
17	860052007	Knee lifter rod (1)
18	860053008	Knee lifter link (2)
19	860054009	Knee lifter link (3)
20	860055000	Knee lifter link shaft
21	860056001	Knee lifter rod (2)
22	000115629	Setscrew TP 4x8
23	000001609	Snap ring E5
24	832212000	Knee lifter link spring
25	860057002	Knee lifter shaft
26	860058003	Spring
27	000097406	Setscrew 3x3
28	000030009	Snap ring E10
29	860059004	Knee lifter stopper
30	000172602	Setscrew 5x8
31	860060008	Spring
32	860061009	Knee lifter shaft arm
33	860626008	Drop feed base plate (unit)
34	832211009	Setscrew



1

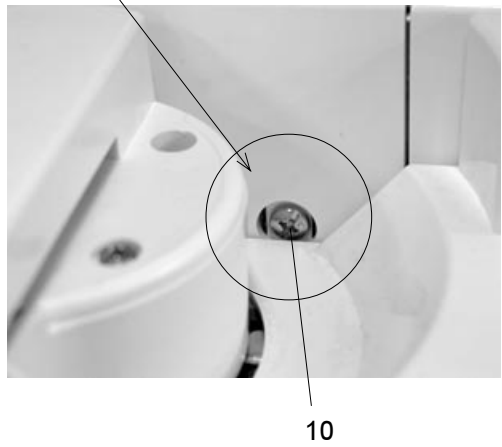
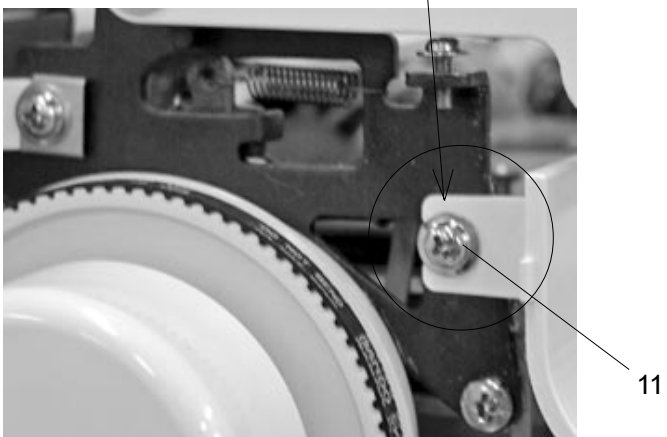
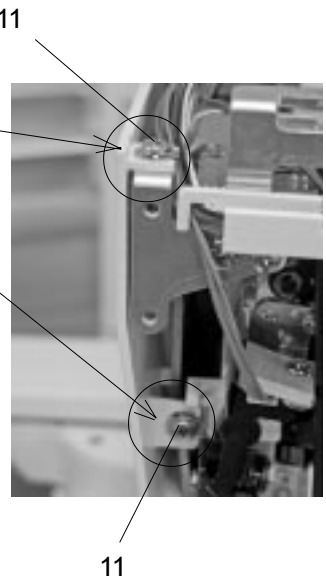
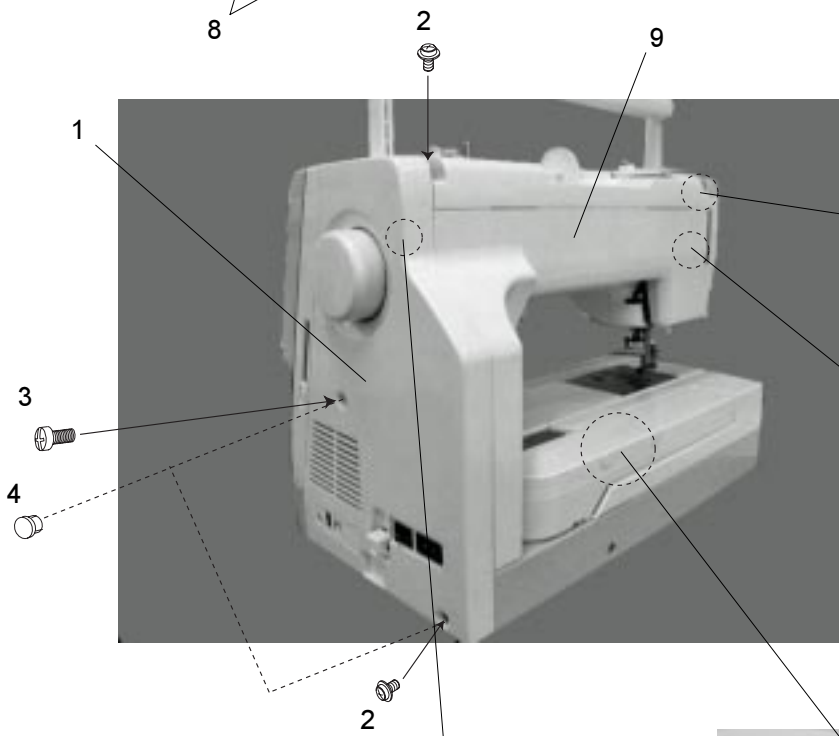
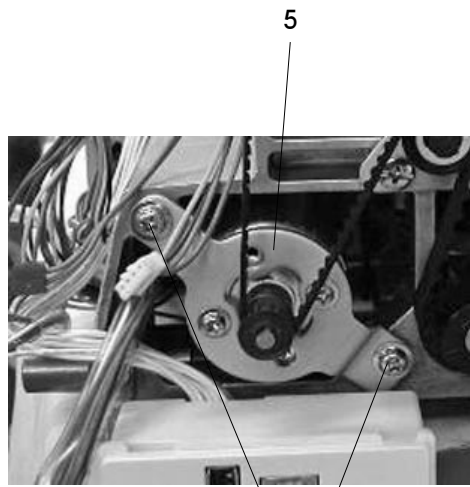
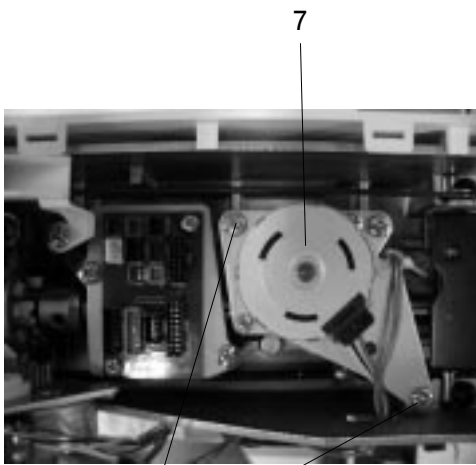


Ref.	Part No.	Description
1	860633008	Front cover (unit) for U.S.A. & Canada
	860633101	Front cover (unit) for U.K., Australia & Continental Europe
2	860555005	Stepping motor (unit)
3	860076007	Gear
4	832136009	Washer
5	850116009	Synchronized belt 290
6	860635000	Printed circuit board A (unit)
7	860078009	Card guide
8	860079103	S.S Button
9	860080107	Button 1
10	860503008	Printed circuit board F1 (unit)
11	860081108	Button 2
12	860504009	Printed circuit board F2 (unit)
13	653507602	Slide volume (unit)
14	000014306	Snap ring CS3
15	860082006	Slide volume
16	860083100	Button 3
17	860167006	Lamp cover 2
18	860505000	Printed circuit board L1 (unit)
19	860166005	Lamp cover 1
20	860506104	Printed circuit board L2 (unit) 160mm
21	860634009	LCD (unit) for U.S.A. & Canada
	860634102	LCD unit for Continental Europe, U.K. & Australia
22	000002507	Snap ring E4
23	860077008	LCD motor set plate
24	000120203	Setscrew 3X80 (B)
25	860506001	Printed circuit board L2 (unit) 280mm

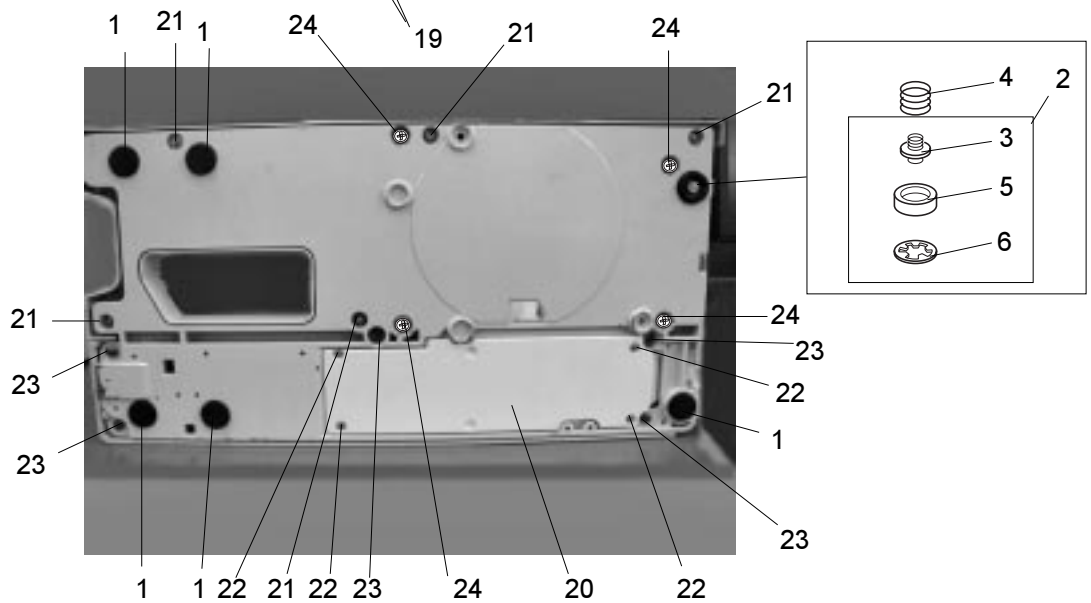
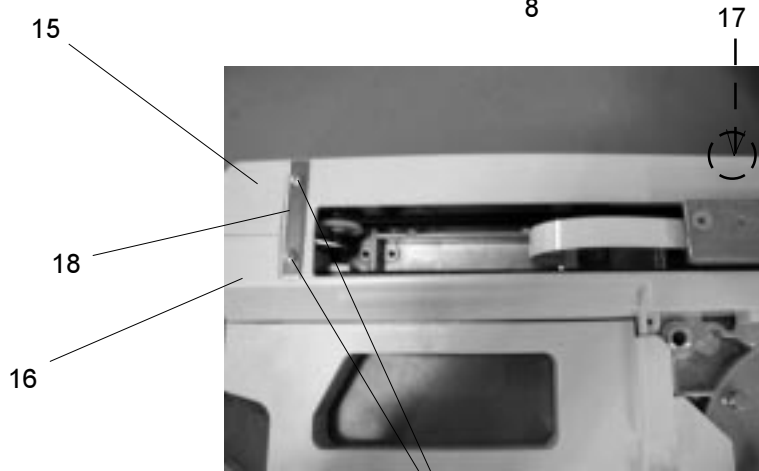
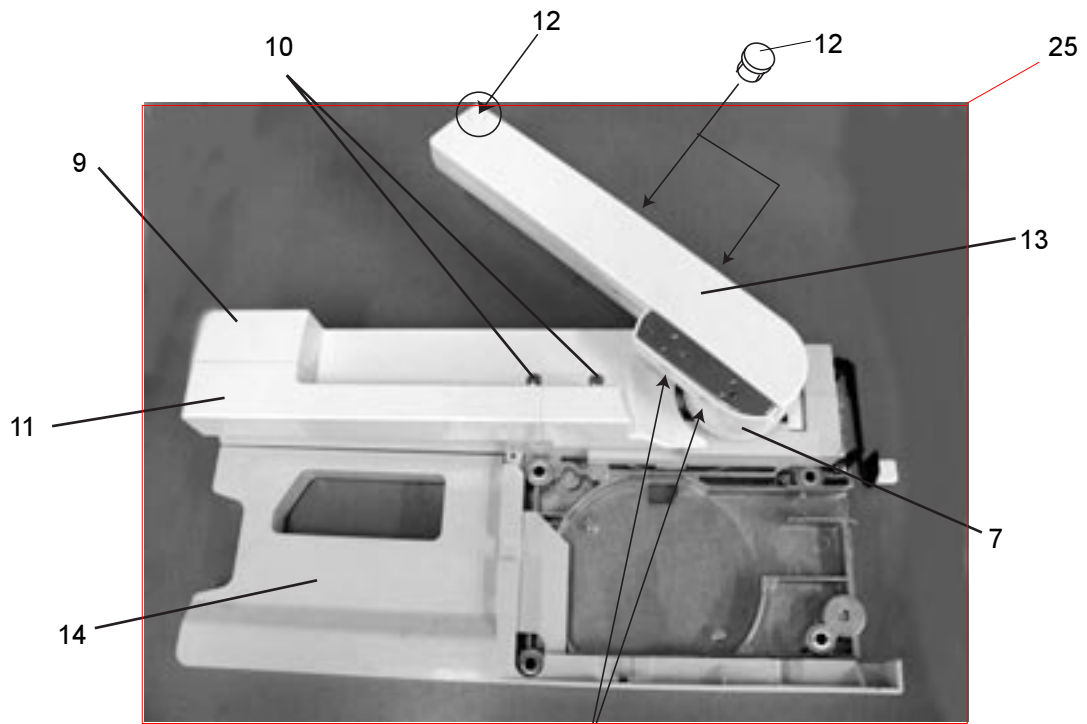




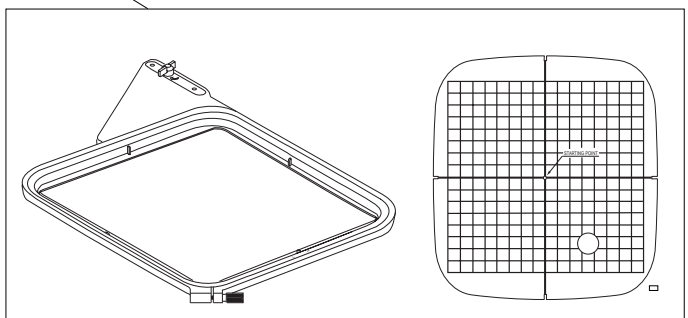
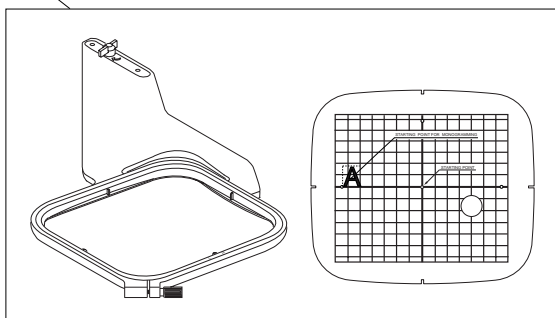
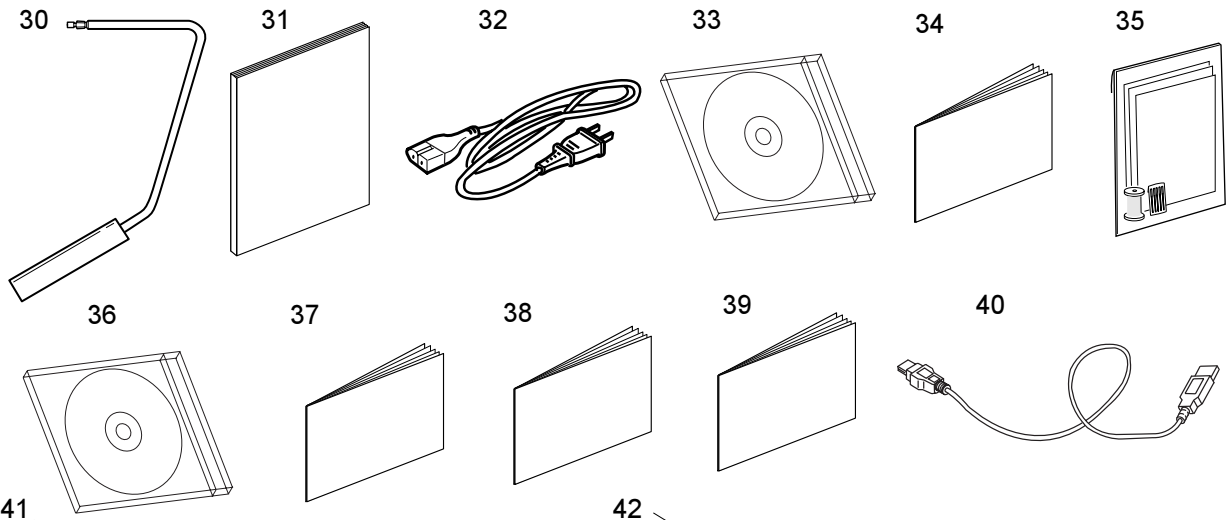
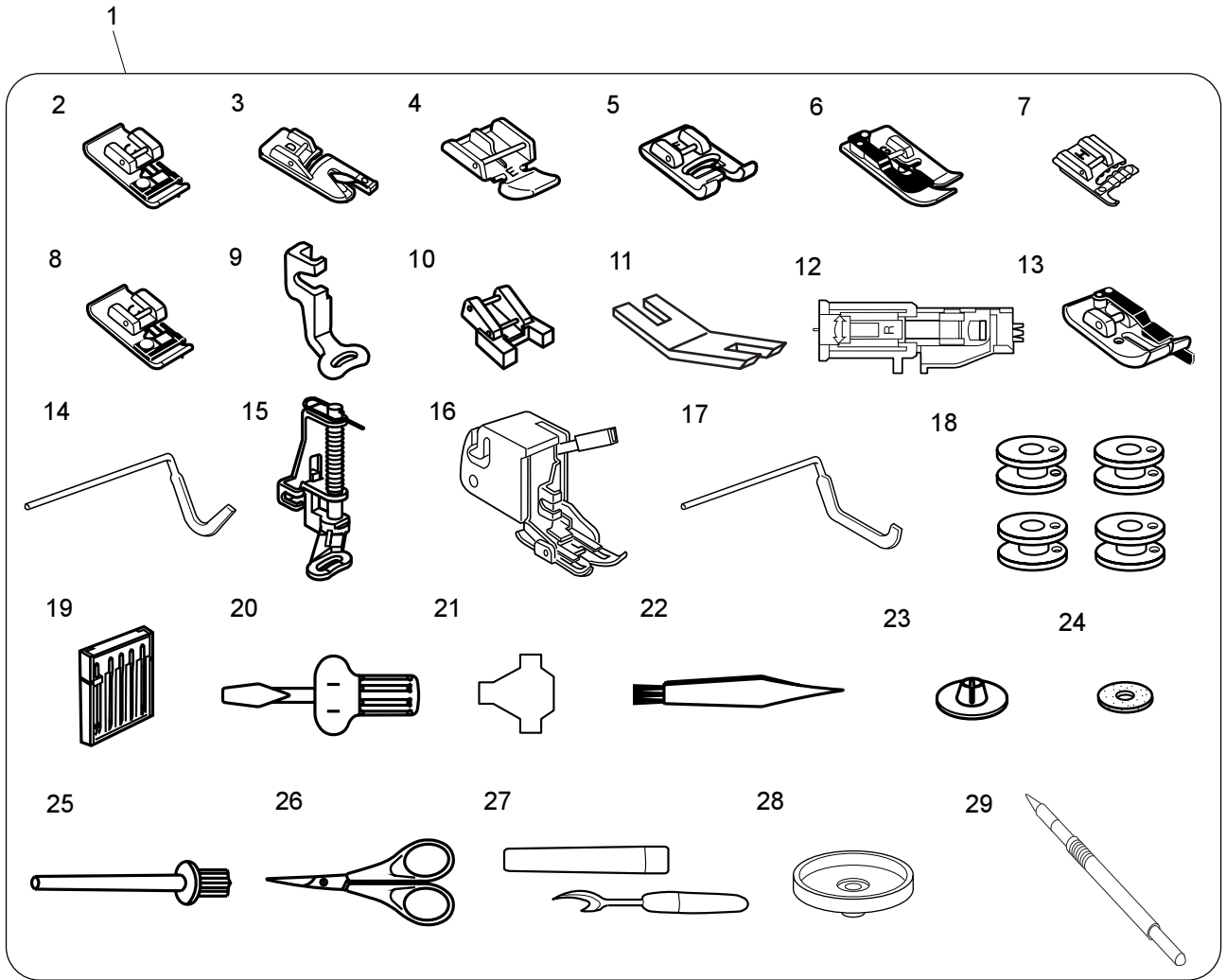
Ref.	Part No.	Description
1	860632007	Switching power supply (unit)
2	850523209	Power supply harness (unit) for U.S.A. & Canada
	860556006	Power supply harness (unit) for Australia, Continental Europe and U.K.
3	000081005	Setscrew 4x8
4	860631006	Printed circuit board U (unit)
5	000101404	Setscrew 4x6
6	860658009	Printed circuit board B (unit) for U.S.A. & Canada
	860658102	Printed circuit board B (unit) for Continental Europe, Australia & U.K.
7	860216001	Cord guide (lower)
8	860604000	Feed motor (unit)



Ref.	Part No.	Description
1	860092102	Belt cover
2	000114709	Setscrew TP 3x6
3	000104108	Setscrew 4x20
4	653006101	Cap
5	860630005	Motor (unit)
6	000115607	Setscrew TP 4x8
7	860605001	Zigzag width motor (unit)
8	000081005	Setscrew 4x8
9	860085102	Rear cover
10	810212106	Setscrew
11	000115205	Setscrew TP 4x6



Ref.	Part No.	Description
1	830150003	Rubber foot
2	717618000	Adjusting screw (unit)
3	820350004	Adjusting screw
4	820351005	Spring
5	605074008	Rubber foot
6	813123004	Snap ring CS
7	860139009	Carriage cover
8	000066727	Setscrew 3x8
9	860152008	X Carriage cover
10	810220106	Setscrew
11	860157003	X Carriage
12	653006101	Cap
13	860643001	Carriage (unit)
14	860099006	Base cover
15	860150006	Embroidery base cover 1
16	860151007	Embroidery base cover 2
17	000101426	Setscrew 4x6
18	860193001	Carriage base plate
19	000120203	Setscrew 3x8 (B)
20	860143006	Film cover
21	000109309	Setscrew 3x10
22	000078319	Setscrew 3x6
23	000115607	Setscrew 4x14
24	000127705	Setscrew 6x20
25	860640008	Base (unit)



Ref.	Part No.	Description
1	860871000	Standard accessory set for U.S.A.
	860871103	Standard accessory set for Continental Europe, U.K., Canada & Australia
2	822801001	Overcast foot
3	820809014	Hemmer foot
4	829801002	Zipper foot
5	822804129	Satin stitch foot for U.S.A.
	822804118	Satin stitch foot for Continental Europe, U.K., Canada & Australia
6	825817009	Blind hem foot
7	820819006	Cording foot
8	822808008	Overedge foot
9	830810xxx	Embroidery foot P
10	802406011	Button foot
11	832820007	Button shank plate
12	830823118	BH foot
13	200008004	1/4" seam foot
14	802422002	Quilting bar
15	830856006	Darning foot
16	214507001	Walking foot (even foot)
17	214015007	Quilting bar
18	102261000	Bobbin
19	832832002	Needle case (unit)
20	820832005	Screwdriver (large)
21	653802002	Screwdriver
22	802424004	Lint brush
23	822019509	Spool holder (small)
24	102403109	Felt
25	625031500	Additional spool pin
26	822814007	Scissors
27	560406104	Seam ripper (buttonhole opener)
28	829803004	Spool stand
29	860194002	Touch panel stylus
30	846811008	Knee lifter
31	860800008	Instruction book (English)
	860800307	Instruction book (French)
	860800204	Instruction book (German)
	860800101	Instruction book (Dutch)
	860800503	Instruction book (Spanish)
	860800400	Instruction book (Swedish)
		Instruction book (Portuguese)
	860800606	Instruction book (Italian)
		Instruction book (Finnish)
	860800709	Instruction book (Chinese)
	860800802	Instruction book (Norwegian)
	860800905	Instruction book (Danish)
32	860539003	Power supply cord for U.S.A. & Canada
	830335004	Power supply cord for Continental Europe
	830377008	Power supply cord for U.K.
	830314018	Power supply cord for Australia
33	860806004	Instructional DVD (unit)
34	860809007	Handbook CD
35	860808006	CD-ROM for PC (unit)
36	860810001	Starter kit (unit)
37	860808305	Manual
38	860807005	Optional accessories catalog
39	860803001	Quick reference chart
40	850403006	USB cable
41	860802000	Hoop ST (unit)
42	860801009	Hoop SQ (unit)