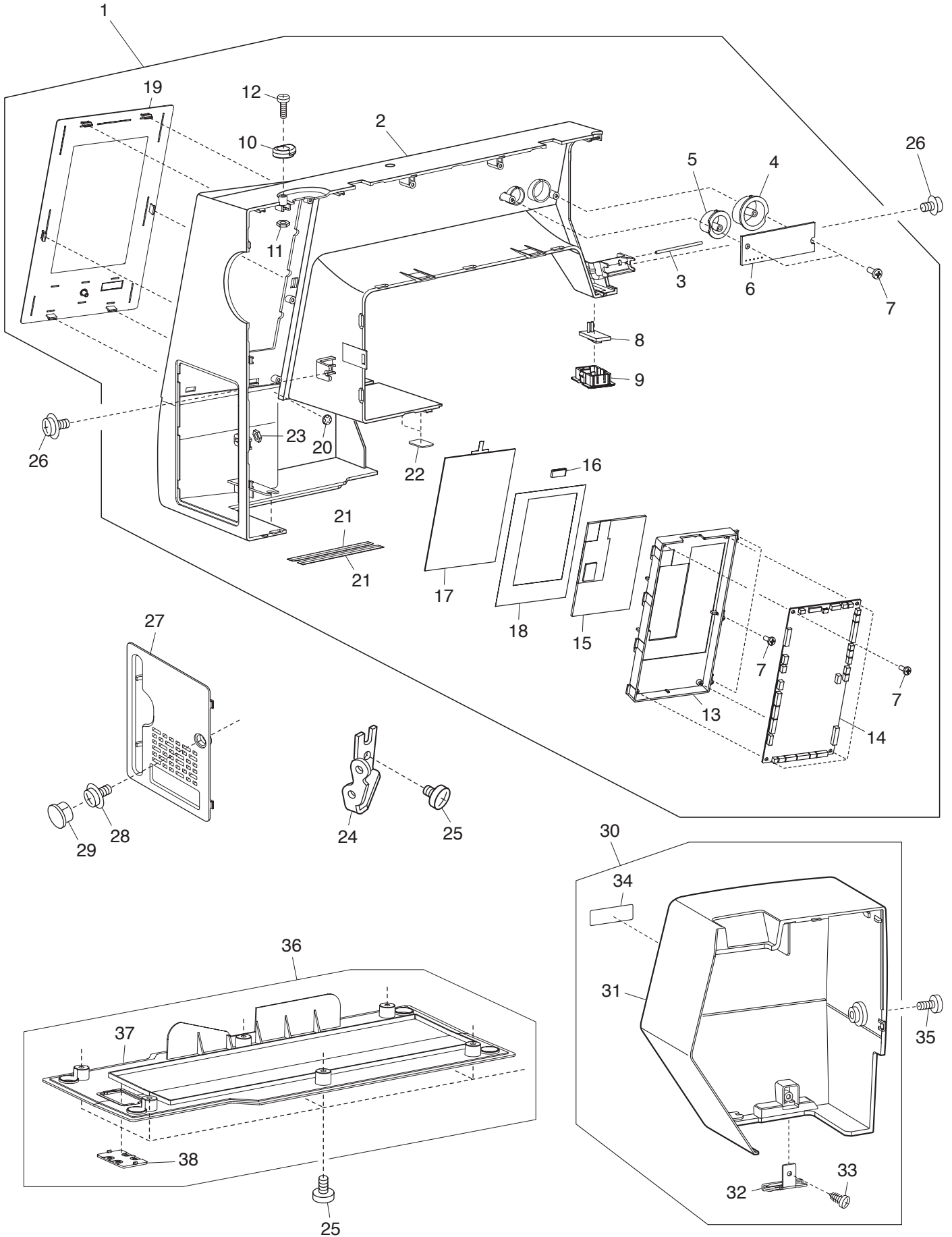


PARTS LIST

MODEL: MC400E

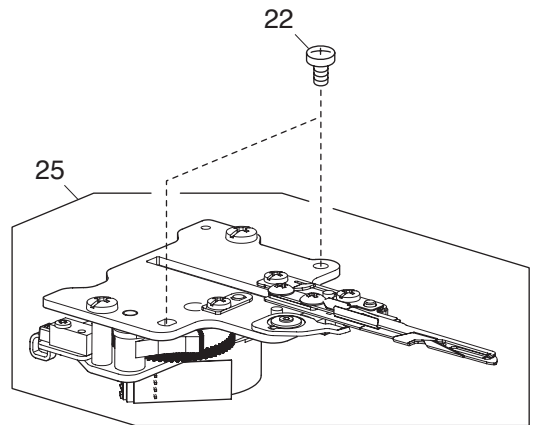
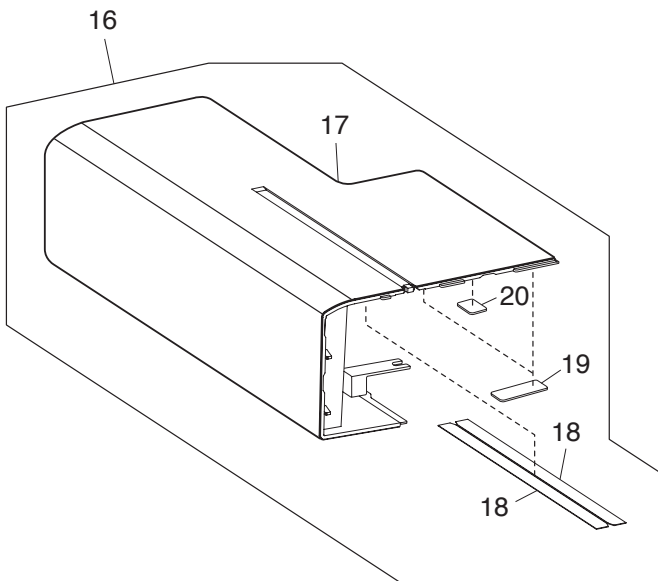
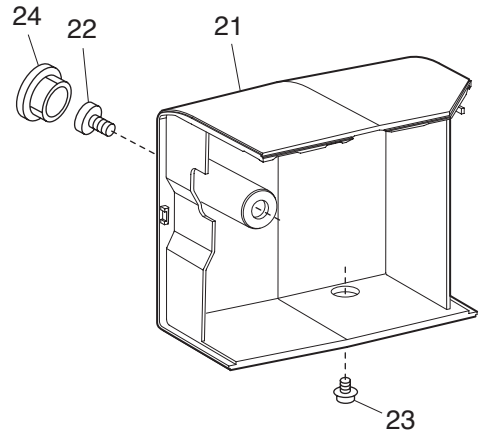
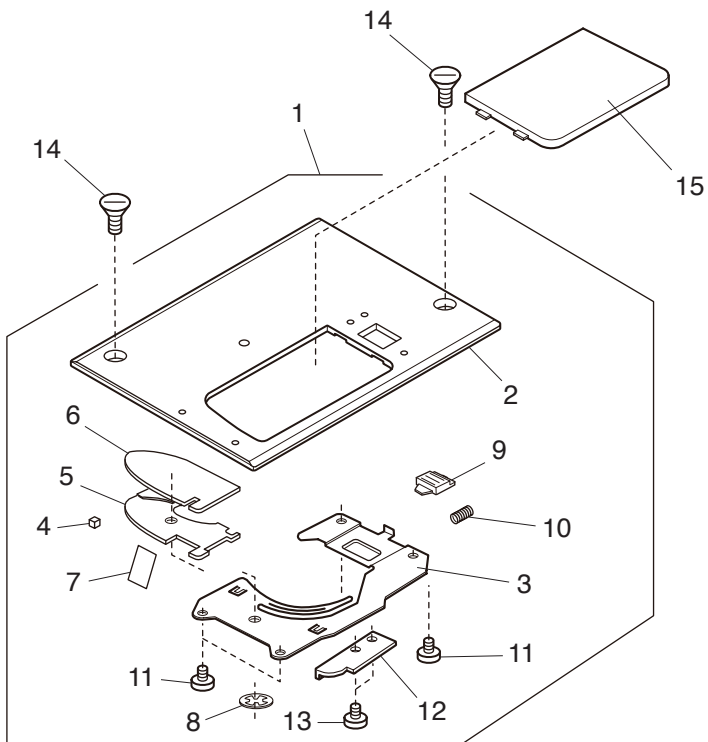
PARTS LIST



PARTS LIST

KEY NO.	PARTS NO.	DESCRIPTION
1	864629209	Front cover (unit)
2	864055B01	Front cover
3	639075004	Thread guide
4	864056A01	Start/stop button
5	864057A01	Button 1
6	809510102	Printed circuit board F (unit)
7	000120203	Setscrew 3x8 (B)
8	859525046	Printed circuit board L2 (unit)
9	860167006	Lamp cover 2
10	846177108	Bobbin winder stopper
11	000061205	Nut 4-3-7
12	000101828	Setscrew 4x16
13	861070015	Printed circuit board A case
14	864506025	Printed circuit board A (unit)
15	863512009	LCD (unit)
16	861512003	Ferrite core
17	861505106	Touch panel (unit)
18	863126A02	Touch panel sheet
19	864064B01	Decorative plate
20	000014007	Snap ring CS-4
21	856036105	Carriage window sheet 2
22	476003000	Felt
23	000063104	Nut 3-2-5.5
24	639080002	Front cover set plate
25	000081005	Setscrew 4x8
26	000115205	Setscrew TP 4x6
27	864059006	Belt cover
28	000114709	Setscrew TP 3x6
29	745033002	Cap
30	864631008	Face plate (unit) (U.S.A.) (Australia) (UK) (Continental Europe)
	864631101	Face plate (unit) (Canada)
31	864060A01	Face plate
32	832508006	Thread cutter (unit)
33	000161103	Setscrew 3x6 (B)
34	100517008	Caution sticker (Canada)
35	000103509	Setscrew 4x10
36	864633000	Base plate (unit)
37	864063003	Base plate
38	850156001	Cover lid

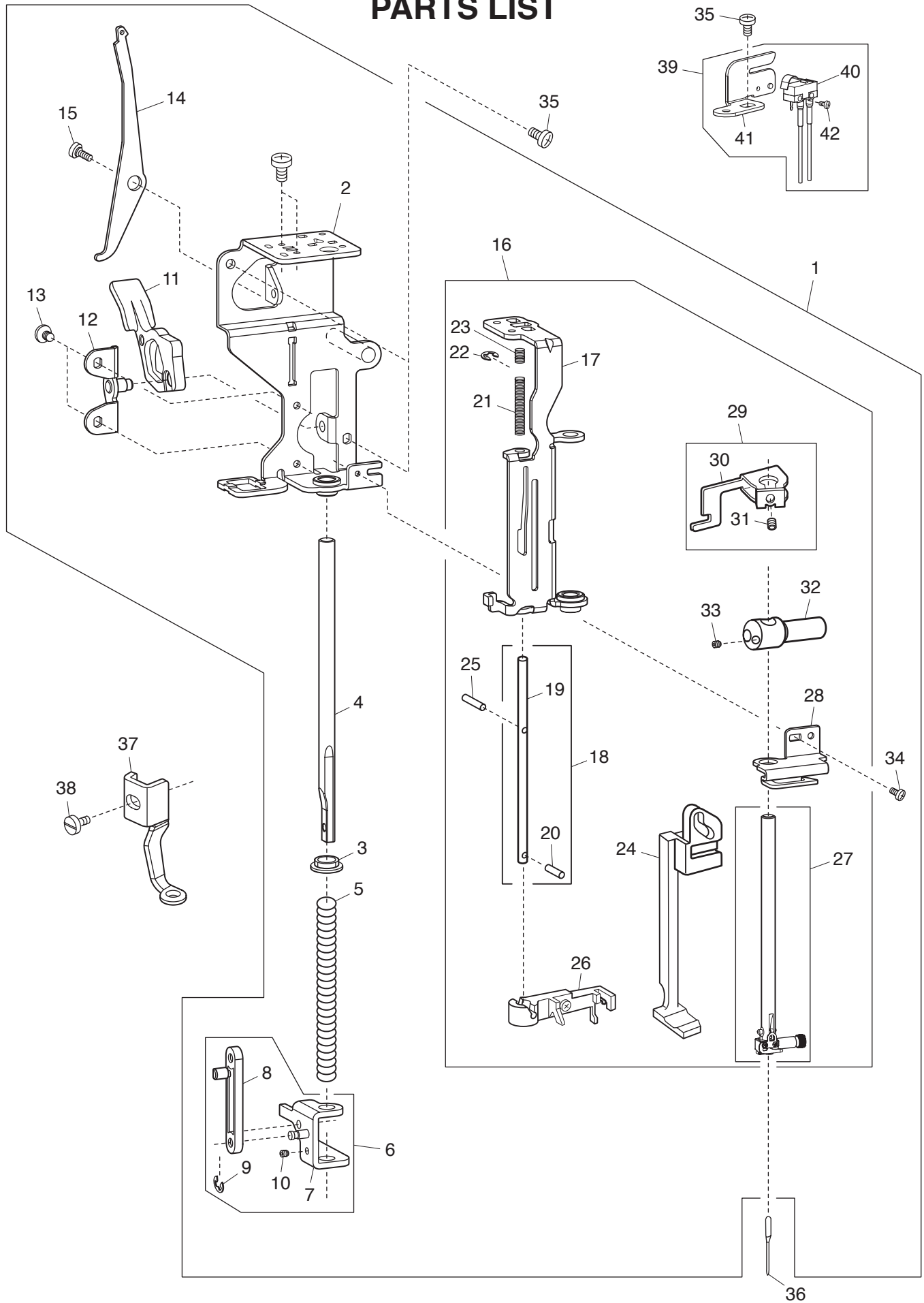
PARTS LIST



PARTS LIST

KEY NO.	PARTS NO.	DESCRIPTION
1	864615006	Needle plate (unit)
2	864024002	Needle plate
3	809133004	Hook cover plate supporter
4	861152001	Felt
5	809134005	Hook cover plate supporter base
6	809135006	Guide holder
7	809137008	Cutter
8	000014306	Snap ring CS-3
9	825016000	Hook cover plate release button
10	825017001	Spring
11	820374004	Setscrew 2x2.3
12	864025003	Rotation stopper
13	000163703	Setscrew 2x3.5
14	681009101	Setscrew
15	809136100	Hook cover plate
16	864632009	Bed cover (unit)
17	864061001	Bed cover
18	856009109	Carriage window sheet 1
19	478004007	Felt
20	478005008	Felt
21	864062002	Thread cutter cover
22	000081005	Setscrew 4x8
23	000115401	Setscrew TP 3x4
24	745033002	Cap
25	864616007	Thread cutter (unit)

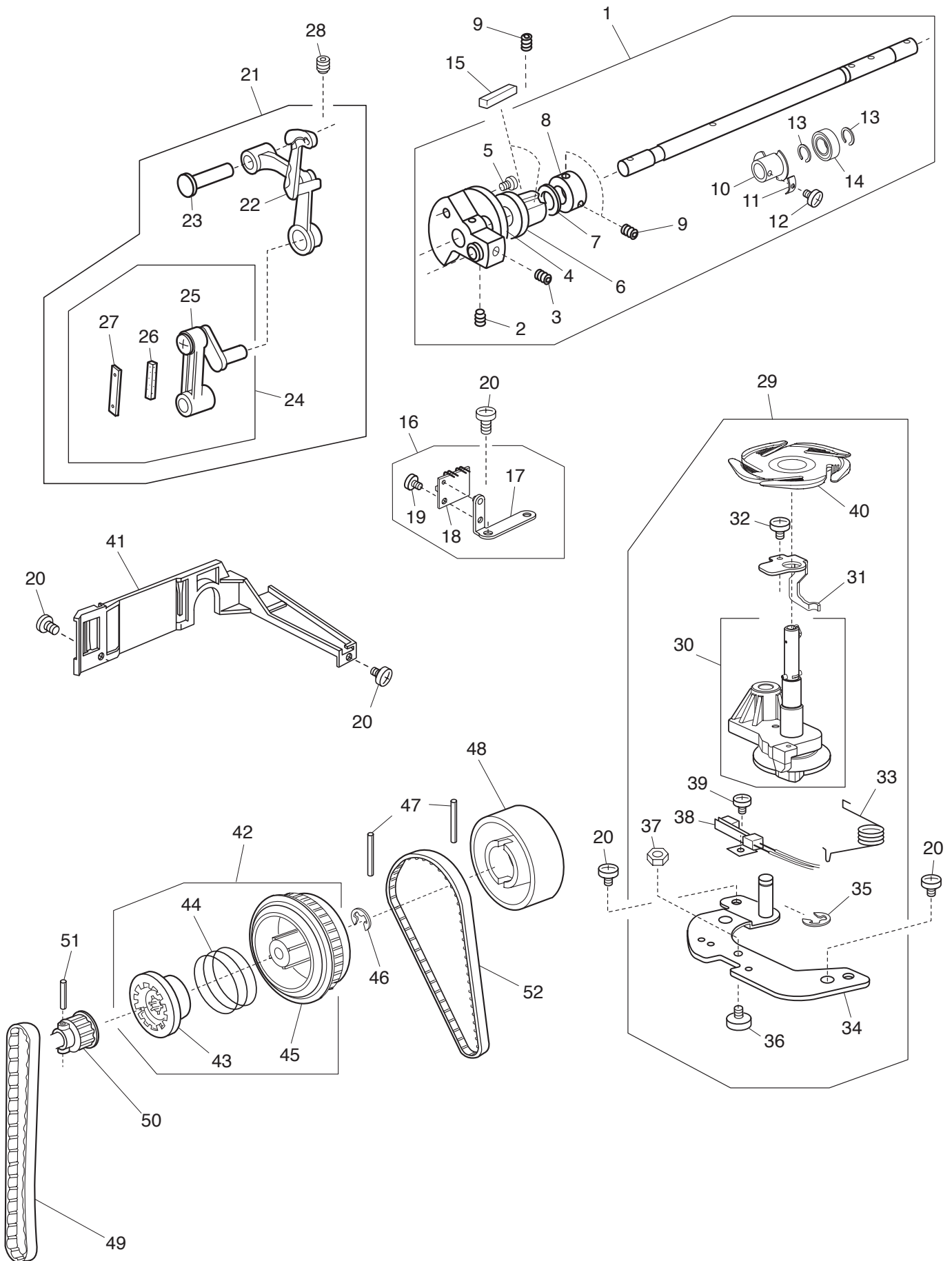
PARTS LIST



PARTS LIST

KEY NO.	PARTS NO.	DESCRIPTION
1	864607005	Presser bar base plate (unit)
2	864003005	Presser bar base plate
3	864004006	Presser bar bushing
4	827021004	Presser bar
5	864005007	Presser bar spring
6	864603001	Presser bar connecting stud (unit)
7	864006008	Presser bar connecting stud
8	861028007	Presser bar link
9	000002507	Snap ring E-4
10	000111500	Hexagonal socket screw 4x8
11	861025004	Presser foot lifter
12	864007009	Presser foot lifter set plate
13	000101404	Setscrew 4x6
14	861067008	Tension release lever
15	859273002	Setscrew
16	864608006	Needle bar supporter (unit)
17	864008000	Needle bar supporter
18	846612100	Needle threader shaft (unit)
19	846048028	Needle threader shaft
20	000003508	Spring pin 2x8
21	842090001	Threader shaft spring
22	000002105	Snap ring E-3
23	842096007	Threader lever spring
24	859111104	Threader lever
25	000125105	Pin E-2x16-CH
26	846588014	Threader plate (unit)
27	859647207	Needle bar (unit)
28	864009001	Needle drop adjusting plate
29	861610002	Threader position setting plate (unit)
30	861052000	Threader position setting plate
31	000111902	Hexagonal socket screw 3x4
32	751047008	Needle bar connecting stud (unit)
33	000111201	Hexagonal socket screw 4x4
34	000078319	Setscrew 3x6
35	000081005	Setscrew 4x8
36	813404013	Stretch needle (Blue)
37	852890000	Embroidery foot P
38	660106001	Setscrew
39	864606004	Presser foot lifter switch (unit)
40	652520125	Micro switch (unit)
41	864013008	Presser foot lifter switch set plate
42	000102900	Setscrew 2x8

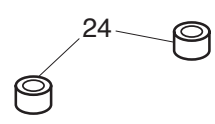
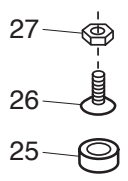
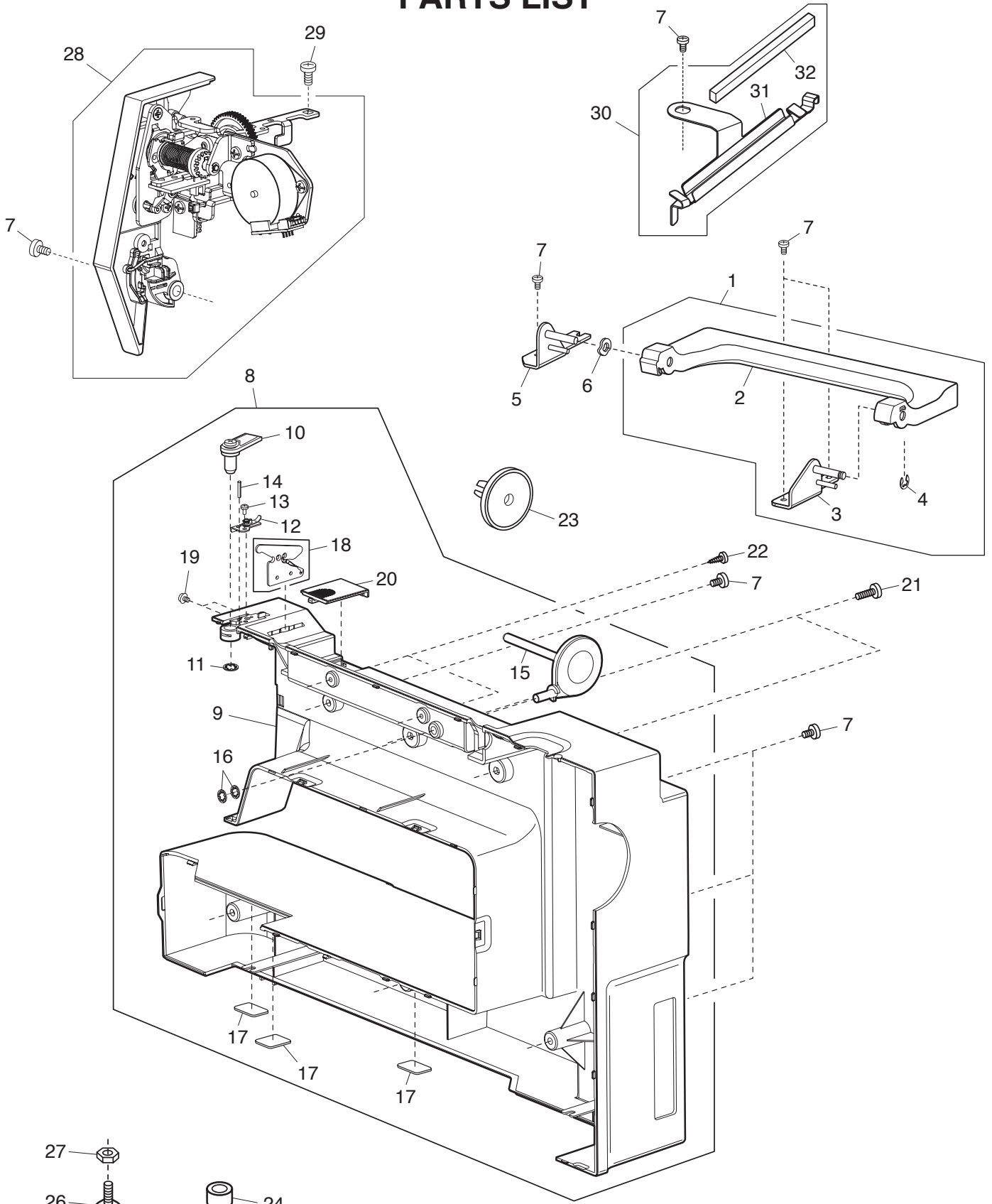
PARTS LIST



PARTS LIST

KEY NO.	PARTS NO.	DESCRIPTION
1	864601009	Upper shaft (unit)
2	000111706	Hexagonal socket screw 5x8
3	000110901	Hexagonal socket screw 5x4
4	832068009	Upper feed lifting cam
5	000078319	Setscrew 3x6
6	670079201	Upper shaft front bushing
7	000040105	Washer
8	767077006	Ring
9	000111304	Hexagonal socket screw 5x5
10	862002008	Upper shaft shield plate
11	859033008	Washer
12	000080406	Setscrew 3x10
13	000032702	Snap ring crescent
14	767178101	Ball bearing
15	731312005	Felt
16	861620304	Upper shaft sensor (unit)
17	861039001	Sensor set plate
18	807505407	Printed circuit board P (unit)
19	000101105	Setscrew 3x4
20	000081005	Setscrew 4x8
21	864639006	Thread take-up lever (whole unit)
22	820511304	Thread take-up lever (unit)
23	508048009	Thread take-up lever pin
24	846615103	Needle bar crank (unit)
25	843543007	Needle bar crank pin (unit)
26	650040005	Felt
27	650041006	Spring
28	000111201	Hexagonal socket screw 4x4
29	864618009	Bobbin winder (unit)
30	864504001	Bobbin winder (unit)
31	861096006	Clutch lever
32	000120203	Setscrew 3x8 (B)
33	861091001	Bobbin winder arm spring
34	861092105	Bobbin winder set plate
35	000001609	Snap ring E-5
36	861153002	Bobbin winder stopper screw
37	000063104	Nut 3-2-5.5
38	856512100	Leaf switch (unit)
39	000081706	Setscrew 2.5x5
40	862647001	Thread cutter holder (unit)
41	861078002	Cord guide (rear)
42	858647008	Belt wheel (unit)
43	858053001	Clutch ring
44	502065004	Clutch spring
45	858054002	Belt wheel
46	000030009	Snap ring E-10
47	000024206	Pin 3x30
48	858055003	Handwheel
49	846098001	Timing belt 178
50	858052000	Upper shaft gear
51	000004303	Pin 3x20
52	858118005	Timing belt 168

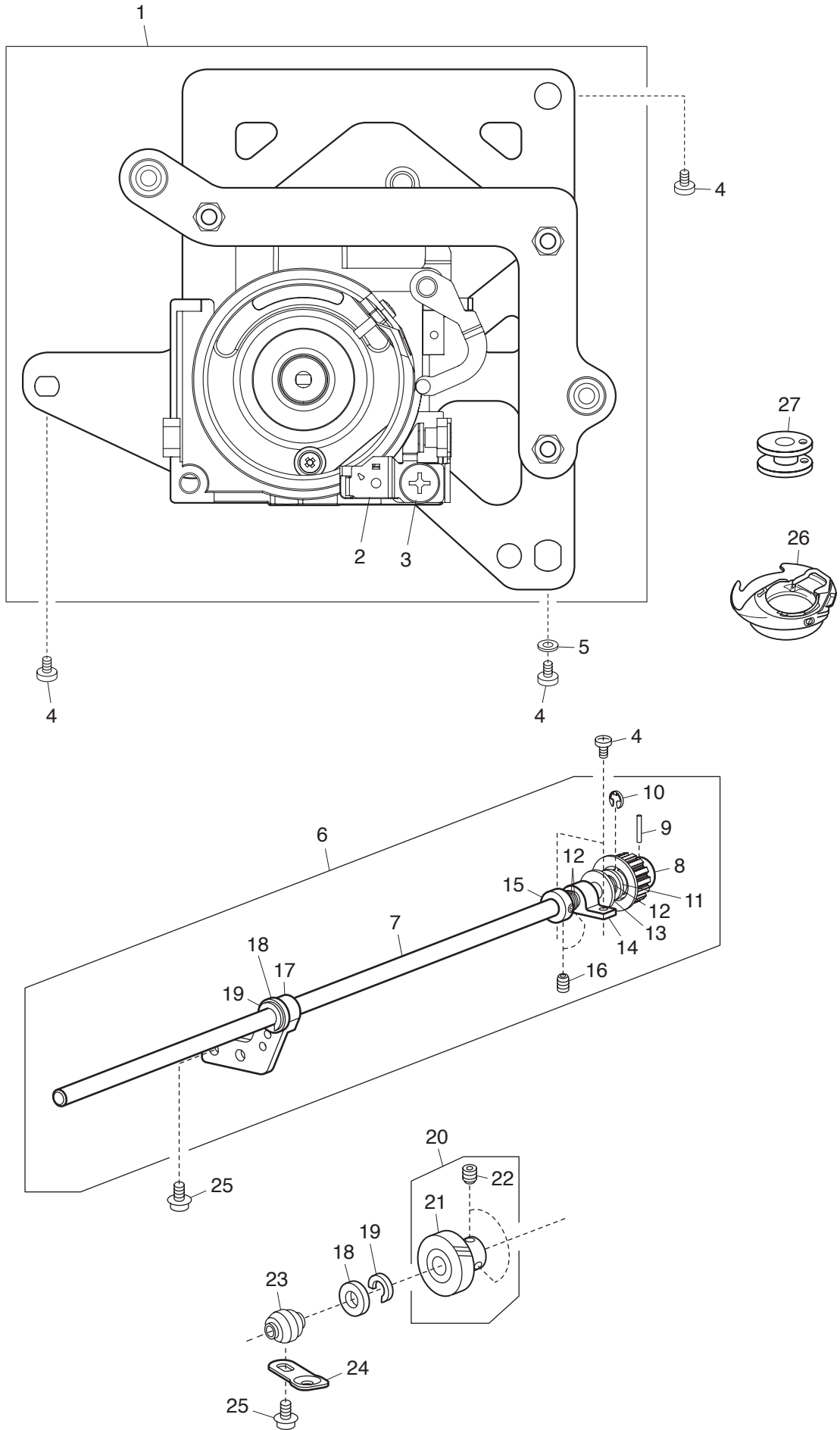
PARTS LIST



PARTS LIST

KEY NO.	PARTS NO.	DESCRIPTION
1	864620004	Carrying handle (unit)
2	864029007	Carrying handle
3	864031002	Carrying handle supporter (rear)
4	000001609	Snap ring E-5
5	864030001	Carrying handle supporter (front)
6	000116206	Wave washer
7	000081005	Setscrew 4x8
8	864628002	Rear cover (unit)
9	864054A01	Rear cover
10	650503296	Thread guide (unit)
11	000014409	Snap ring CS-8
12	834555107	Top cover thread guide plate (unit)
13	000162001	Setscrew 2.6x5
14	000020202	Spring pin 2x10
15	809027004	Spool pin
16	000013800	Snap ring CS-6
17	476003000	Felt
18	864634001	Pre-tension thread guide (unit)
19	000115401	Setscrew TP 3x4
20	864066006	Oiling plate
21	000101806	Setscrew 4x16
22	000161309	Setscrew 3x12
23	822020503	Spool holder (large)
24	647009002	Bed rubber foot
25	735002001	Rubber foot
26	000274007	Setscrew 5x30
27	000061412	Nut 5-3-8
28	864609007	Thread tension (unit)
29	000103509	Setscrew 4x10
30	864638005	Oiling guide (unit)
31	864075008	Oiling guide
32	763033019	String

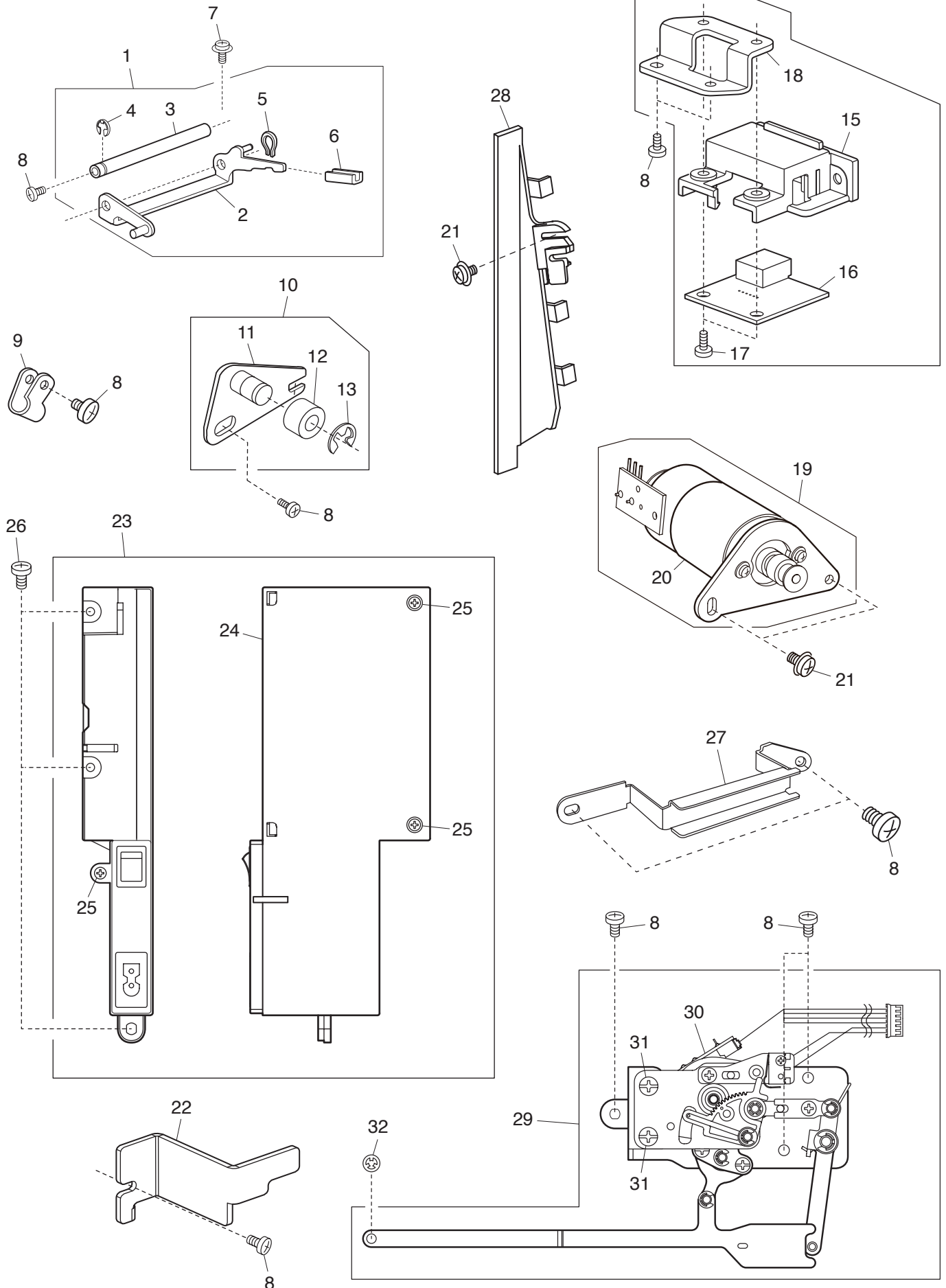
PARTS LIST



PARTS LIST

KEY NO.	PARTS NO.	DESCRIPTION
1	864613004	Hook race (unit)
2	846632209	Bobbin holder stopper (unit)
3	000160504	Setscrew 4x12
4	000081005	Setscrew 4x8
5	000070506	Washer 4
6	864614005	Lower shaft (unit)
7	864022000	Lower shaft
8	650073007	Lower shaft gear
9	000004200	Pin 3x18
10	000002806	Snap ring E-6
11	858177002	Lower shaft washer
12	000038502	Washer
13	823110009	Felt
14	508120006	Shaft fixing metal
15	820166001	Lower shaft ring
16	000111201	Hexagonal socket screw 4x4
17	858058006	Lower shaft supporter
18	822070003	Felt (1)
19	822112008	Felt holder (1)
20	850687006	Lower shaft gear (unit)
21	650076000	Lower shaft gear
22	000111304	Hexagonal socket screw 5x5
23	732034003	Lower shaft bushing (rear)
24	809042005	Lower shaft bushing set plate
25	000115607	Setscrew TP 4x8
26	846652504	Bobbin holder (unit)
27	102261103	Bobbin

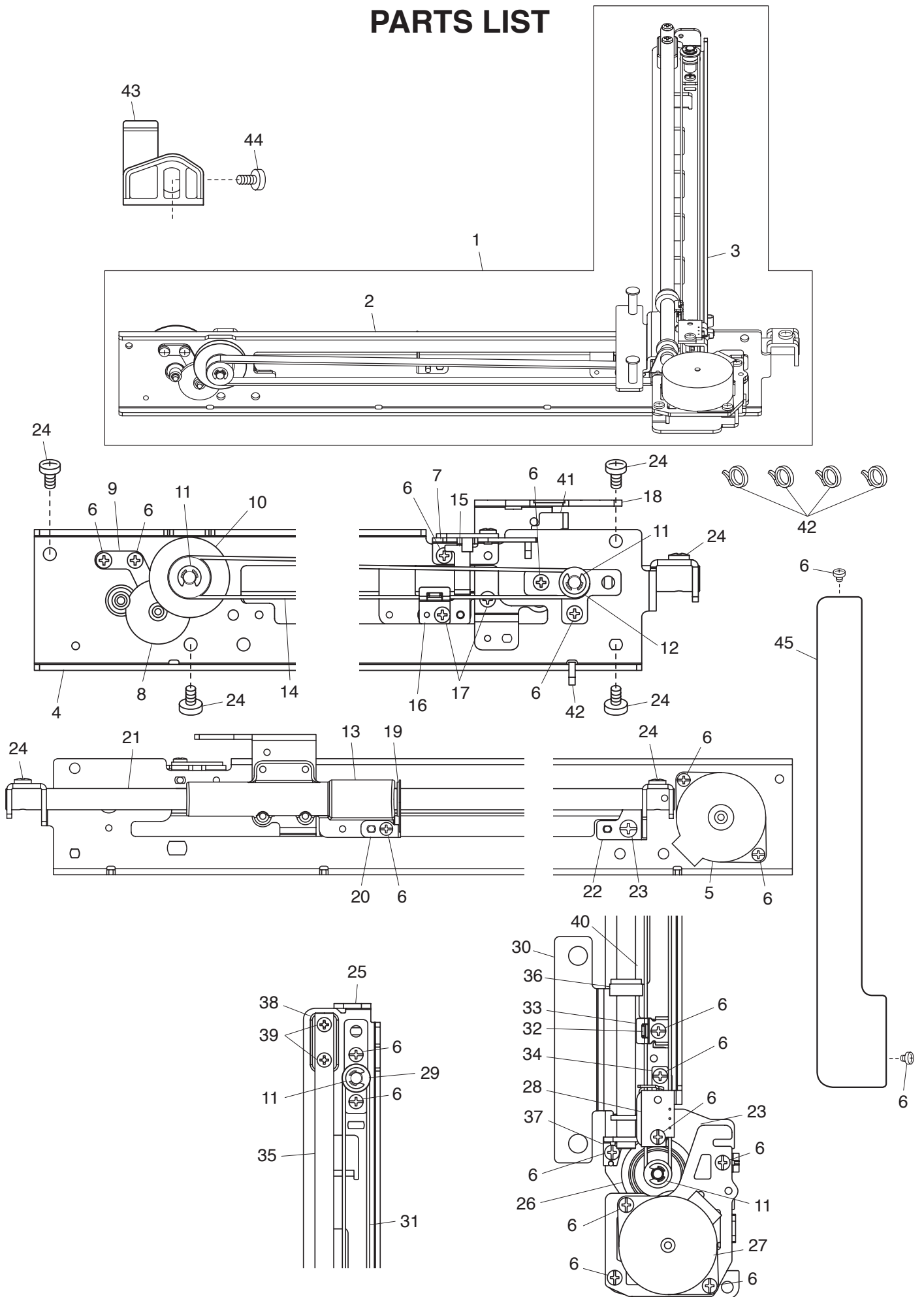
PARTS LIST



PARTS LIST

KEY NO.	PARTS NO.	DESCRIPTION
1	861616204	Presser foot actuator arm (unit)
2	861035007	Presser foot actuator arm
3	864077000	Presser foot actuator shaft
4	000001609	Snap ring E-5
5	000014605	Grip ring 6
6	854145009	Slider
7	000115629	Setscrew TP 4x8
8	000081005	Setscrew 4x8
9	000188405	Nylon clip
10	860608004	Idler (unit)
11	860021007	Idler base
12	625217100	Idler
13	000002806	Snap ring E-6
14	864619103	Printed circuit board B case (unit)
15	861090055	Printed circuit board B case
16	861507005	Printed circuit board B (unit)
17	000103509	Setscrew 4x10
18	864028006	Printed circuit board B case set plate
19	858639007	DC motor (unit)
20	843518302	DC motor
21	000115607	Setscrew TP 4x8
22	864078001	Set plate
23	864621005	Switching power supply (unit)
24	858120103	Switching power supply plate
25	000119704	Setscrew 3x14 (B)
26	000103509	Setscrew 4x10
27	861089006	Cord guide
28	858145012	Cord guide plate
29	864610001	Bobbin thread sensor (unit)
30	864611002	Bobbin thread sensor motor (unit)
31	000101404	Setscrew 4x6
32	000013707	Snap ring CS-2.4

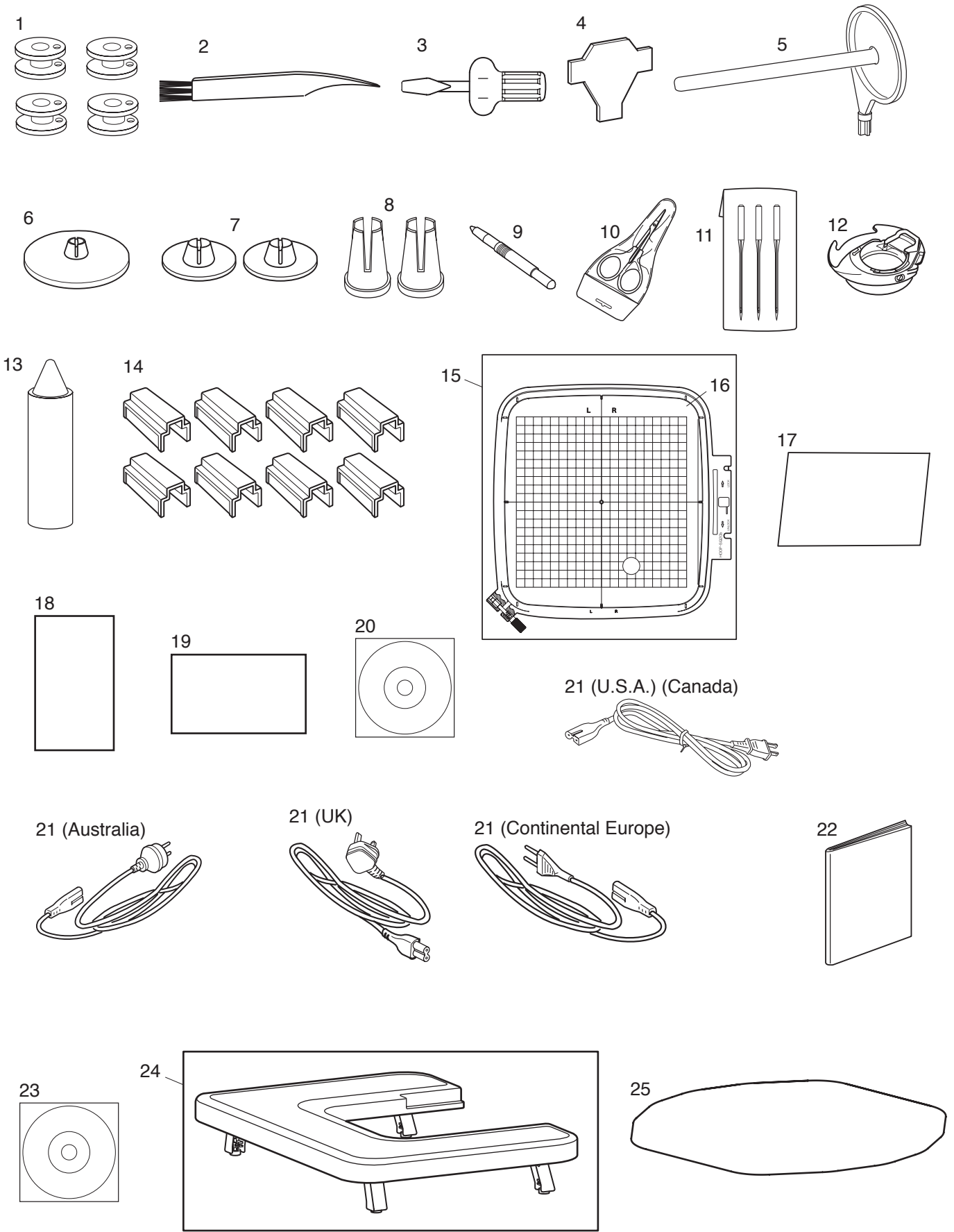
PARTS LIST



PARTS LIST

KEY NO.	PARTS NO.	DESCRIPTION
1	864636003	Carriage (unit)
2	864623007	X-carriage (unit)
3	864637004	Y-carriage (unit)
4	864032003	Carriage base
5	856508103	Stepping motor (unit)
6	000101105	Setscrew 3x4
7	856617106	X-sensor (unit)
8	859235002	Gear
9	856041000	Gear set plate
10	859236003	Gear
11	000002507	Snap ring E-4
12	864624008	X-pulley (unit)
13	864035006	X-carriage guide
14	864036007	Syncro belt 630
15	864037008	X-belt set plate 1
16	864038009	X-belt set plate 2
17	000066705	Setscrew 3x8
18	864039000	Y-carriage base
19	639119001	Felt
20	864067007	Felt holder
21	864040004	X-shaft
22	864041005	X-shaft set plate
23	000103705	Setscrew 4x5
24	000081005	Setscrew 4x8
25	864068008	Y-carriage
26	864044008	Gear
27	864626000	Y motor (unit)
28	843503511	Printed circuit board E2 (unit)
29	864627001	Y-pulley (unit)
30	864046000	Embroidery hoop set plate
31	864069009	Syncro belt 660
32	856054006	Y-belt set plate 1
33	856055007	Y-belt set plate 2
34	856056008	Y-shielding plate
35	864070003	Y-shaft
36	861051009	Felt
37	864049003	Y-shaft set plate
38	864050007	Y-shaft supporter
39	000175306	Setscrew 3x20
40	000102221	Setscrew 4x6
41	856060005	Cord cover
42	000053008	Cord binder
43	864051008	Y-carriage base
44	000080406	Setscrew 3x10
45	864071A01	Carriage cover

PARTS LIST



PARTS LIST

KEY NO.	PARTS NO.	DESCRIPTION
1	102261103	Bobbin
2	802424004	Lint brush
3	820832005	Screwdriver (large)
4	653802002	Screwdriver key (for needle plate)
5	809041004	Extra spool pin
6	822020503	Spool holder (large)
7	822019509	Spool holders (small)
8	862408008	Spool holders (special)
9	860194002	Touch panel stylus
10	803813203	Scissors
11	852802108	Needle set (unit)
12	846652607	Bobbin holder (unit)
13	859858007	Bobbin holder cleaner (unit)
14	861805110	Clamps (unit)
15	864404000	Embroidery hoop SQ20b (packed in a box)
16	864801A01	Template SQ20b
17	864818001	Quick reference chart (English)
18	864820006	Embroidery design chart
19	858801002	Caution card
20	864806006	Template CD
21	856519004	Power cable (U.S.A.) (Canada)
	830314018	Power cable (Australia)
	830377008	Power cable (UK)
	830335004	Power cable (Continental Europe)
22	864800505	Instruction book (English)
23	864819002	Instructional DVD
24	864408004	Extra wide table (packed in a box)
25	864807007	Dust cover
	864880129	Carton (UK)
	864889508	Styrofoam set (UK)