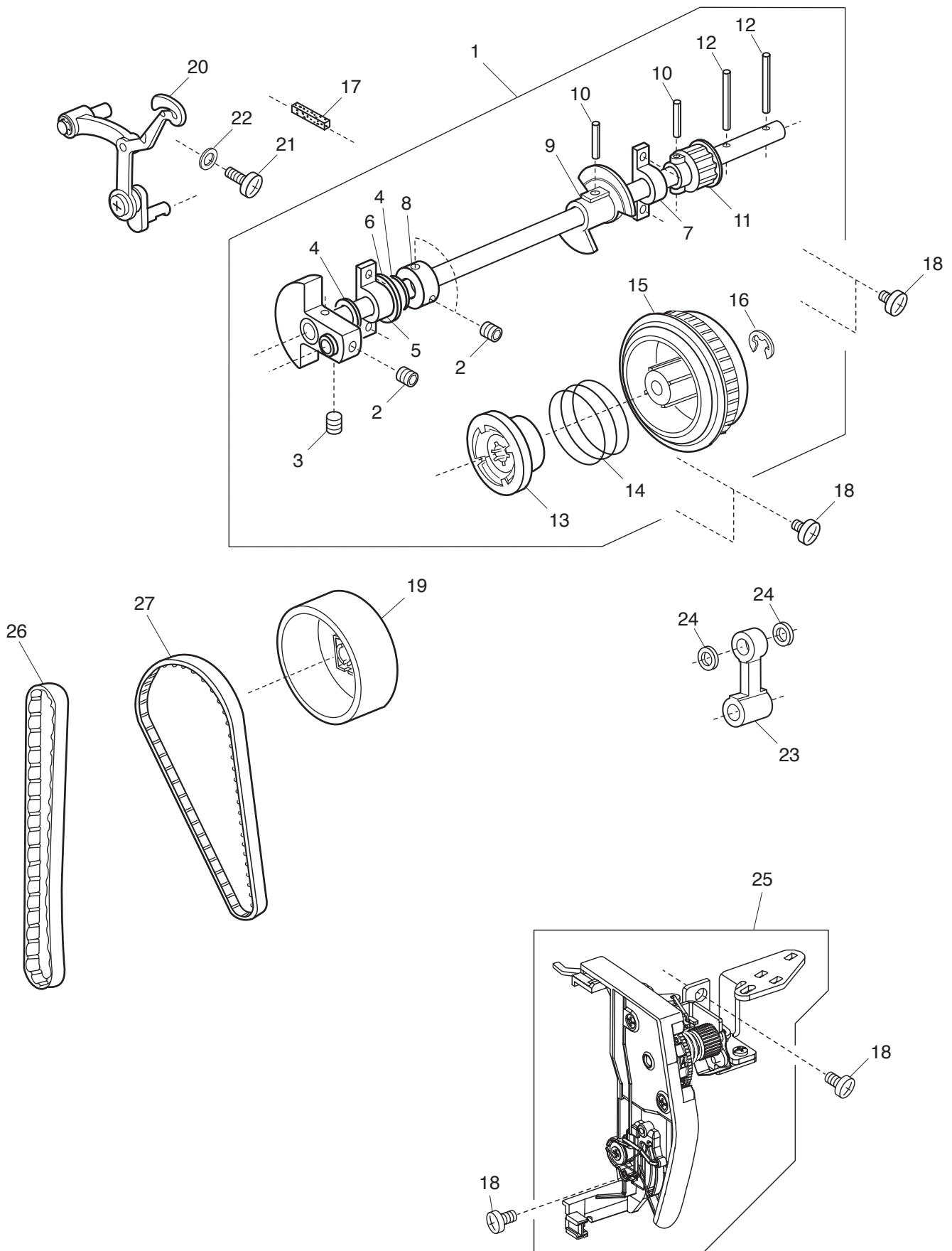


PARTS LIST

MODEL: J100

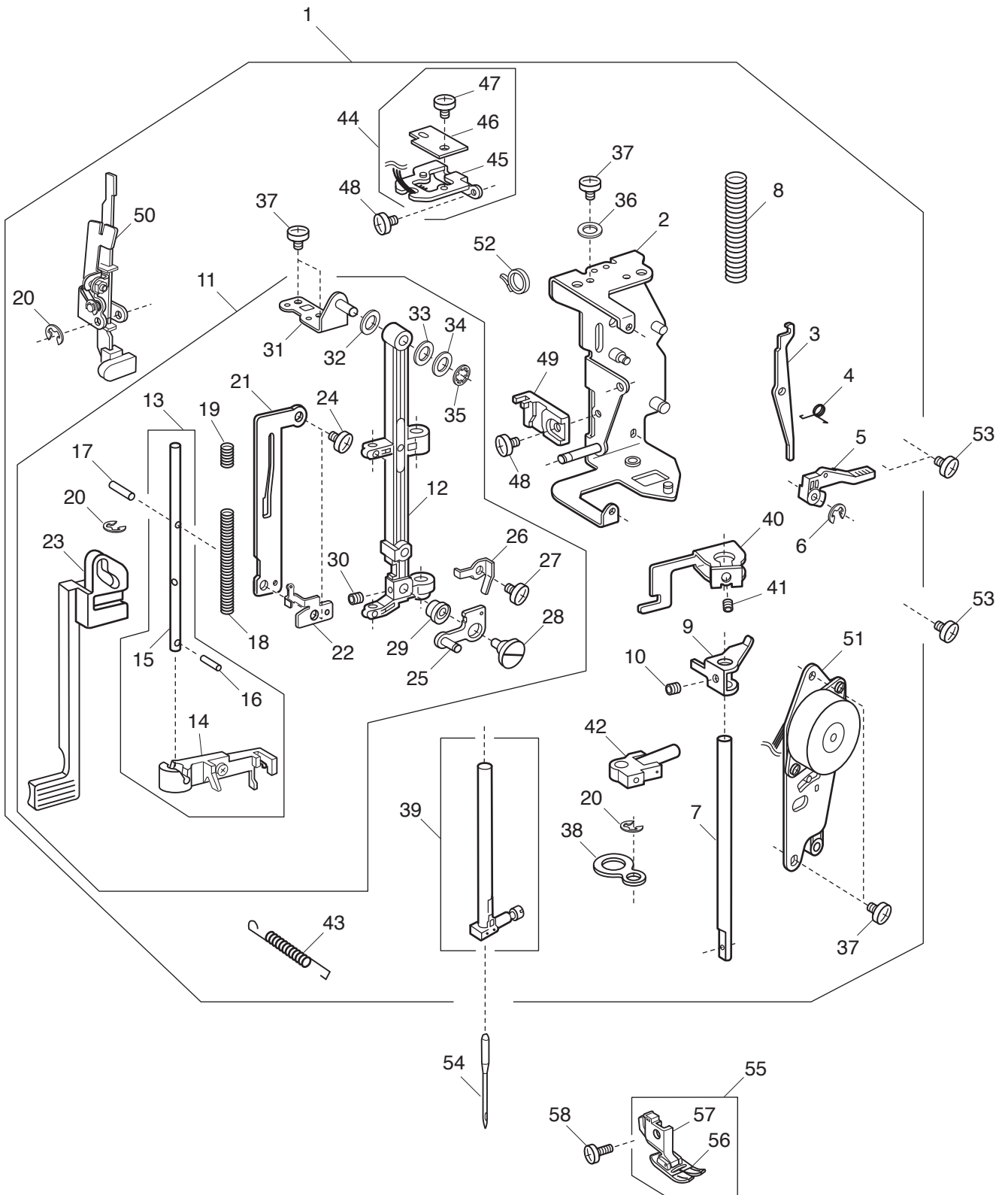
PARTS LIST



PARTS LIST

KEY NO.	PARTS NO.	DESCRIPTION
1	808601005	Upper shaft (unit)
2	000111201	Hexagonal socket screw 4x4
3	000112800	Hexagonal socket screw 4x6
4	000036201	Washer FT80
5	508120006	Shaft fixing metal
6	823110009	Felt
7	508054101	Shaft fixing metal
8	820166001	Lower shaft ring
9	808003001	Upper shaft shielding plate
10	000004200	Spring pin 3x18
11	508021006	Upper shaft gear
12	000024206	Spring pin 3x30
13	502064003	Clutch ring
14	661024007	Clutch spring
15	508055009	Belt wheel
16	000002806	Snap ring E-6
17	650040005	Felt
18	000081005	Setscrew 4x8
19	508056000	Handwheel
20	808648004	Thread take-up lever (unit)
21	000103509	Setscrew 4x10
22	000072302	Washer 4
23	808005003	Needle bar crank rod
24	000036005	Washer FT60
25	811511306	Thread tension (unit)
26	808037004	Syncro belt S5M
27	808021108	Timing belt 120

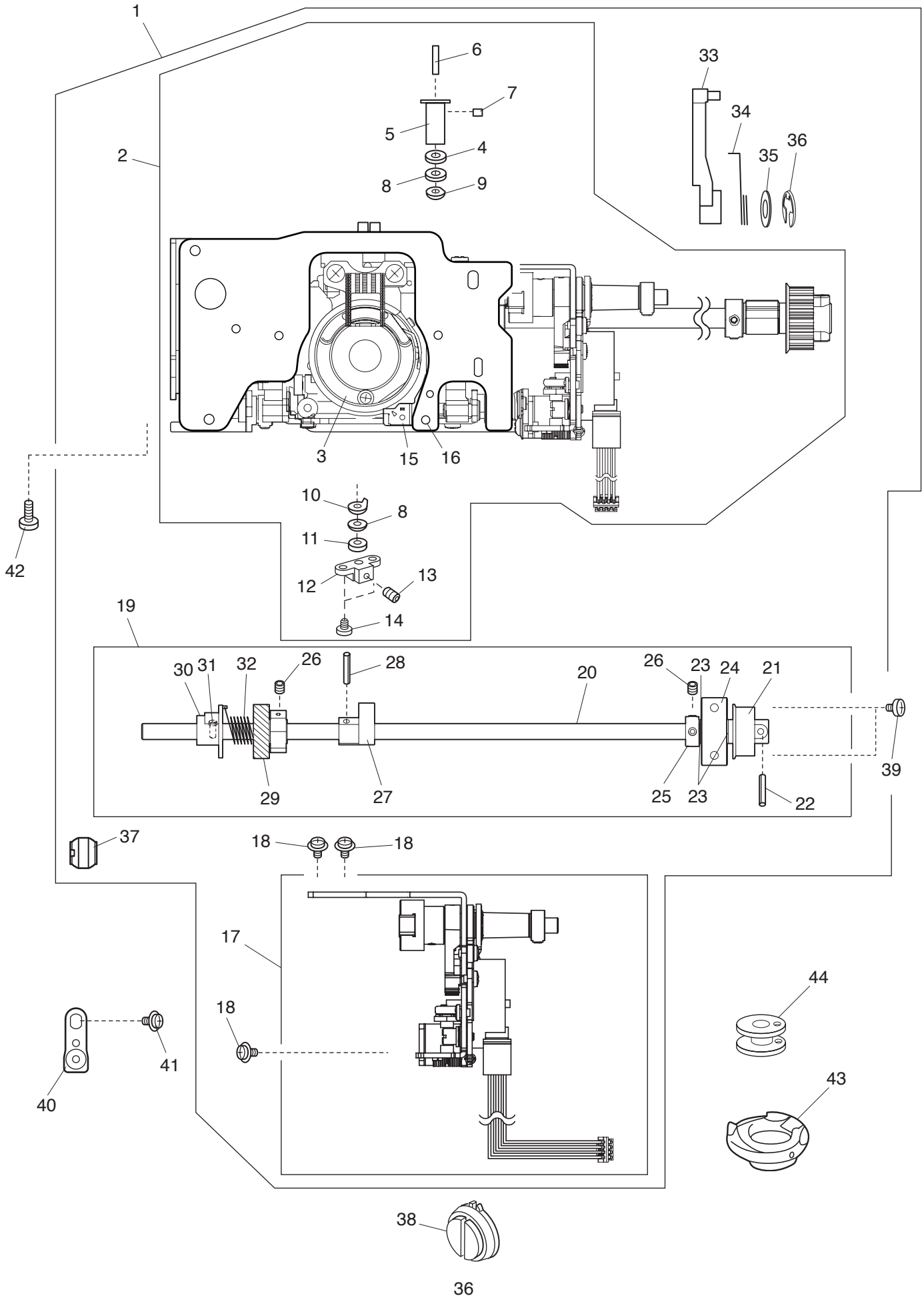
PARTS LIST



PARTS LIST

KEY NO.	PARTS NO.	DESCRIPTION
1	808602615	Presser bar base plate (unit)
2	808006004	Presser bar base plate
3	808007005	Thread tension release lever
4	503041007	Thread tension release spring
5	502024001	Presser foot lifter
6	000001609	Snap ring E-5
7	508002104	Presser bar
8	508038006	Presser bar spring
9	508039007	Presser bar supporter
10	000111500	Hexagonal socket screw 4x8
11	808603100	Needle bar supporter (unit)
12	808008006	Needle bar supporter
13	842637028	Threader shaft (unit)
14	846588014	Threader plate (unit)
15	840036025	Threader shaft
16	000003508	Spring pin 2x8
17	000125105	Guide pin E-2x16-CH
18	842090001	Threader shaft spring
19	842096007	Threader lever spring
20	000002105	Snap ring E-3
21	842091002	Threader guide plate
22	844036027	Threader lever plate
23	842092003	Threader lever
24	000078319	Setscrew 3x6
25	808015006	Zigzag width rod
26	827088009	Zigzag width rod spring
27	820373003	Setscrew 2x3
28	678084007	Eccentric pin
29	808074003	Washer
30	000111902	Hexagonal socket screw 3x4
31	808009007	Supporter adjusting plate
32	000036500	Washer FT60
33	673022002	Spring washer
34	000070609	Washer 6
35	000013903	Snap ring CS-5
36	000072003	Washer 5
37	000101404	Setscrew 4x6
38	808010001	Supporter guide plate
39	508607105	Needle bar (unit)
40	808011002	Threader position set plate
41	000177205	Hexagonal socket screw 3x6
42	508509003	Needle bar connecting stud (unit)
43	844038018	Needle bar supporter spring
44	808606000	Buttonhole sensor (unit)
45	845002005	Sensor set plate
46	843502602	Printed circuit board E1 (unit)
47	000101105	Setscrew 3x4
48	000103808	Setscrew 3x5
49	830057021	Buttonhole lever guide
50	808673008	Buttonhole lever (unit)
51	808605607	Zigzag width motor (unit)
52	000053008	Cord binder
53	000081005	Setscrew 4x8
54	102408089	Needle
55	660509008	Presser foot (unit)
56	832523007	Zigzag foot
57	660806008	Presser foot holder
58	660106001	Setscrew

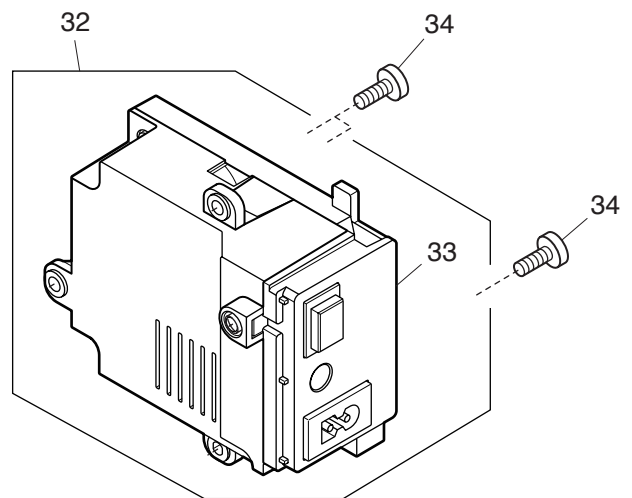
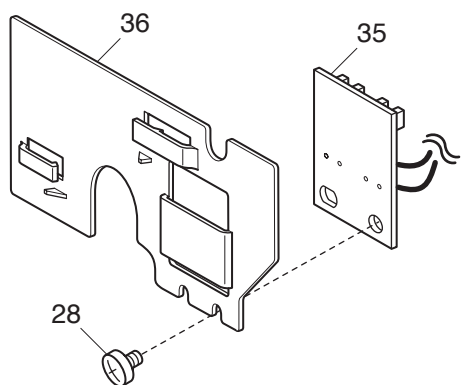
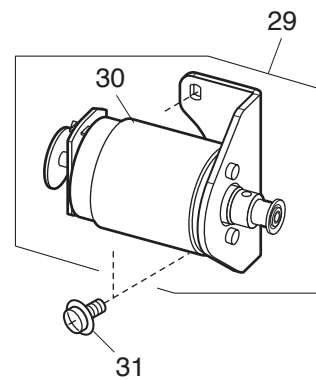
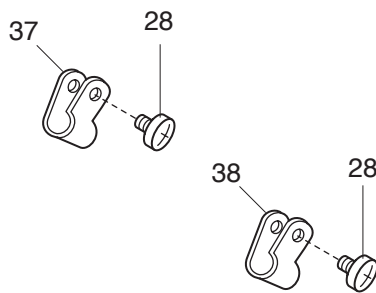
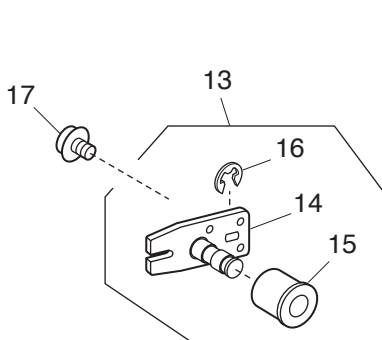
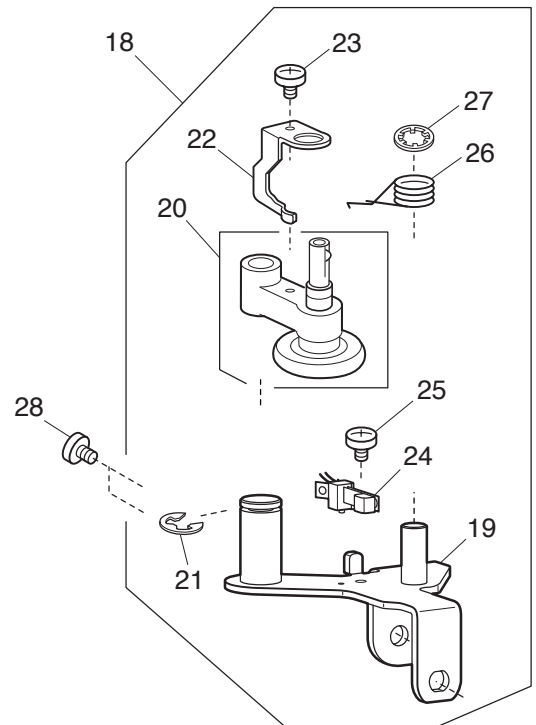
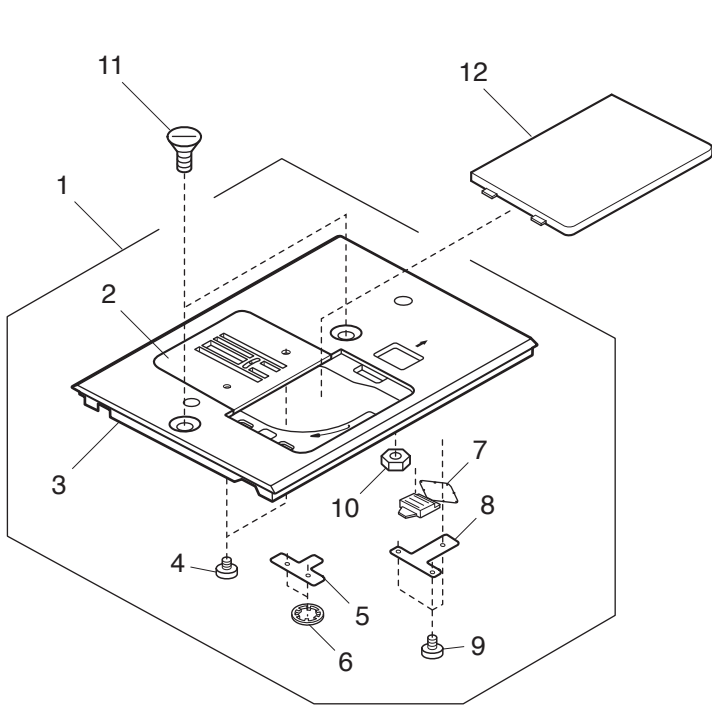
PARTS LIST



PARTS LIST

KEY NO.	PARTS NO.	DESCRIPTION
1	811607001	Hook race (whole unit)
2	811608002	Hook race (unit)
3	660536004	Hook body (unit)
4	508118001	Washer
5	820123006	Hook race shaft
6	820124007	Hook shaft oil wick (1)
7	820125008	Hook shaft oil wick (2)
8	000038409	Washer
9	508139008	Magnet set plate
10	627192001	Washer
11	625102008	Washer
12	508072002	Hook race shaft base
13	000111304	Hexagonal socket screw 5x5
14	000103705	Setscrew 4x5
15	627567104	Bobbin holder stopper (unit)
16	810220003	Setscrew
17	811611008	Feed regulator (unit)
18	000115205	Setscrew TP 4x6
19	811610007	Lower shaft (unit)
20	808027300	Lower shaft
21	508021006	Upper shaft gear
22	000004200	Spring pin 3x18
23	000038502	Washer
24	508054008	Shaft fixing metal
25	820166001	Lower shaft ring
26	000111201	Hexagonal socket screw 4x4
27	809014008	Feed cam
28	000005407	Spring pin 3x12
29	808137005	Lower shaft gear
30	753183025	Feed lifting cam
31	820161006	Feed lifting pin
32	686035008	Feed lifting cam spring
33	809013007	Feed fork
34	809015009	Feed fork spring
35	000071105	Washer 5
36	000002507	Snap ring E-4
37	732034003	Lower shaft rear bushing
38	809053009	Feed balancing dial 2
39	000081005	Setscrew 4x8
40	809042005	Lower shaft bushing set plate
41	000115607	Setscrew TP 4x8
42	000101703	Setscrew 4x12
43	627569106	Bobbin holder (unit)
44	102261103	Bobbin

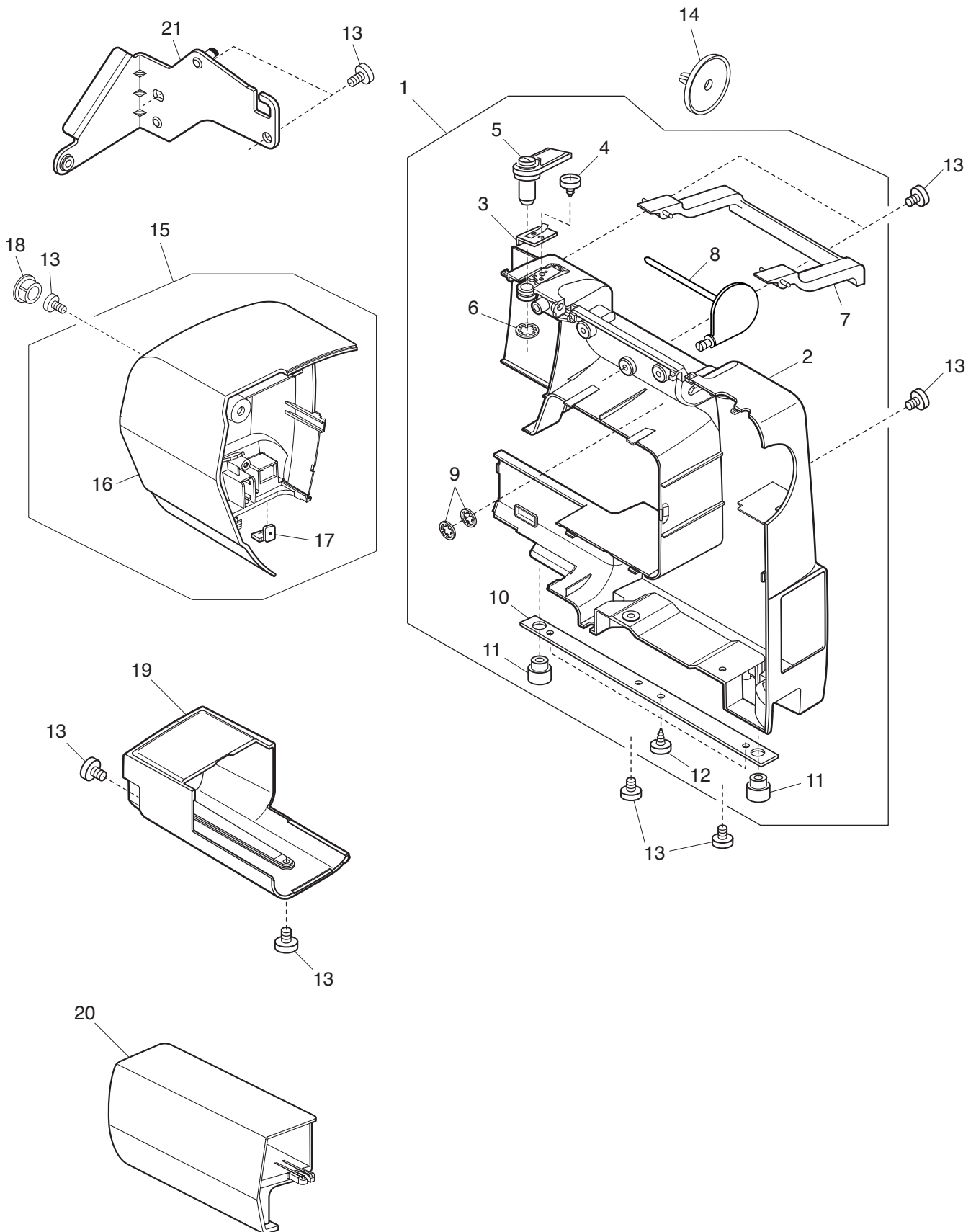
PARTS LIST



PARTS LIST

KEY NO.	PARTS NO.	DESCRIPTION
1	808626006	Needle plate (unit)
2	808067003	Needle plate
3	808068004	Support needle plate
4	000163703	Setscrew 2x3.5
5	502015009	Spring
6	000015503	Snap ring SC-2.4
7	502016000	Hook cover plate release button
8	502202005	Supporter plate
9	000130206	Setscrew 1.7x2.5 (B)
10	508116009	Nut
11	820390109	Setscrew
12	846271103	Hook cover plate
13	808614001	Idler (unit)
14	808038005	Idler set plate
15	625217100	Idler
16	000002806	Snap ring E-6
17	000115607	Setscrew TP 4x8
18	808615002	Bobbin winder (unit)
19	808039006	Bobbin winder set plate
20	508507001	Bobbin winder arm (unit)
21	000001609	Snap ring E-5
22	508111004	Clutch lever
23	000120203	Setscrew 3x8 (B)
24	856512100	Switch (unit)
25	000081706	Setscrew 2.5x5
26	808040000	Spring
27	000013903	Snap ring CS-5
28	000081005	Setscrew 4x8
29	808617004	DC motor (unit)
30	808502005	DC motor
31	000115700	Setscrew TP 4x10
32	808657408	Switching regulator (unit)
33	808525602	Switching regulator
34	000103509	Setscrew 4x10
35	808504007	Printed circuit board P (unit)
36	808181004	Cord guide
37	000188209	Nylon clip ACC-1.5
38	000188405	Nylon clip ACC-2

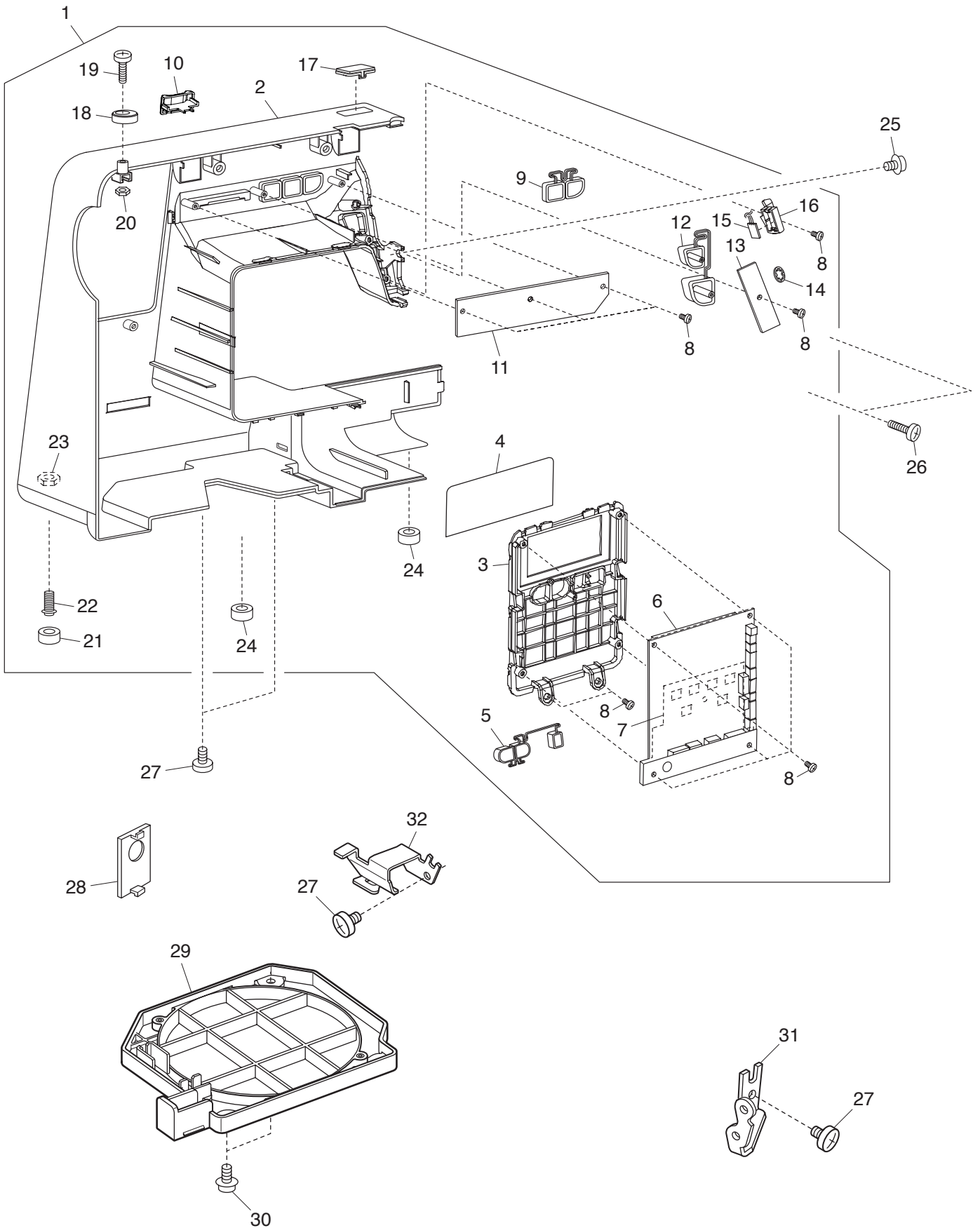
PARTS LIST



PARTS LIST

KEY NO.	PARTS NO.	DESCRIPTION
1	809604285	Rear cover (unit)
2	809025B06	Rear cover
3	827503108	Top cover thread guide (unit)
4	000162001	Setscrew 2.6x5 (B)
5	650503322	Thread guide (unit)
6	000014409	Snap ring CS-8
7	809026003	Carrying handle
8	809027004	Spool pin
9	000013800	Snap ring CS-6
10	809028005	Arm leg rear
11	735003002	Bed rubber cushion
12	000198604	Setscrew 4x14 (B)
13	000081005	Setscrew 4x8
14	822020503	Spool holder
15	811604031	Face plate (unit)
16	811012A10	Face plate
17	840602006	Thread cutter (unit)
18	653006101	Cap
19	808061007	Free arm cover
20	811013004	Extension table
21	811001009	Face plate set plate

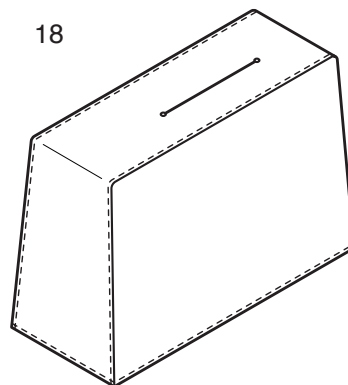
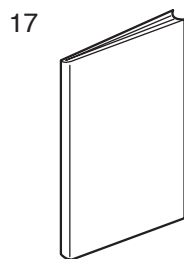
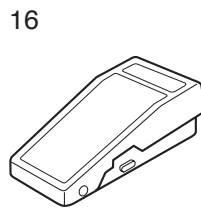
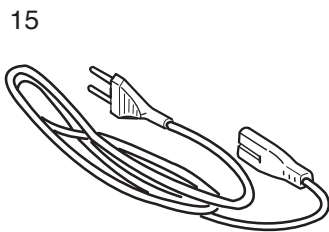
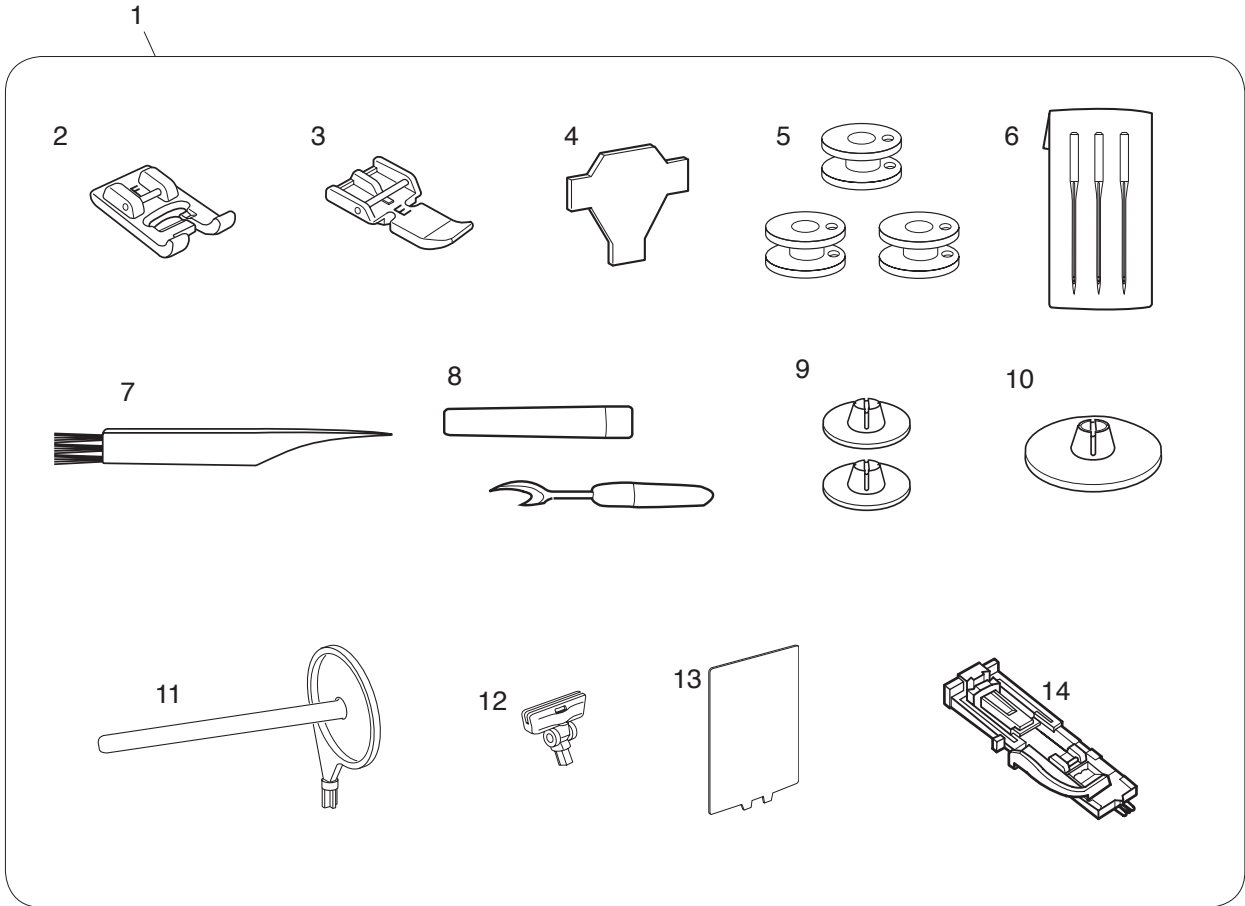
PARTS LIST



PARTS LIST

KEY NO.	PARTS NO.	DESCRIPTION
1	811603270	Front cover (unit)
2	811004A33	Front cover
3	811005A26	Ornamental panel 1
4	811006A19	Ornamental panel 2
5	811010A01	Button 2
6	811401025	Printed circuit board A (unit)
7	811021005	Flame retardant insulating paper
8	000120203	Setscrew 3x8 (B)
9	811007A01	Button 1
10	811008006	Slide volume
11	811503006	Printed circuit board F2 (unit)
12	811011A01	Button 3
13	808507103	Printed circuit board F (unit)
14	000014306	Snap ring CS-3
15	808506102	Printed circuit board L (unit)
16	808057000	Lamp holder
17	808103002	Front cover lid
18	735016307	Bobbin winder stopper
19	000101828	Setscrew 4x16
20	000061205	Nut 4-3-7
21	639005003	Rubber foot
22	000201405	Setscrew TP 4x16
23	000160102	Adjustable lock nut 4
24	739064003	Bed rubber cushion
25	000115205	Setscrew TP 4x6
26	000160401	Setscrew 4x16 (B)
27	000081005	Setscrew 4x8
28	809039009	Cap
29	808059301	Bed cover
30	000149312	Setscrew 3x8 (B)
31	639080002	Front cover set plate
32	808016007	Arm thread guide

PARTS LIST



PARTS LIST

KEY NO.	PARTS NO.	DESCRIPTION
1	811870029	Standard accessories
2	822804118	Satin foot (F)
3	808852003	Zipper foot (E)
4	653802002	Screwdriver
5	102261103	Bobbin
6	639804000	Needle set
7	802424004	Lint brush
8	647808009	Seam ripper (Buttonhole opener)
9	822019509	Spool holder (small)
10	822020503	Spool holder (large)
11	809146000	Spool pin
12	809809008	Stitch chart base
13	809801A02	Stitch chart
14	753801004	Buttonhole foot (R)
15	830335004	Power supply cord
16	C-1036	Foot control
17	811800372	Instruction book
18	741811000	Cover