

# **PARTS LIST**

## **SKYLINE S9**

## **First Edition 31 August 2016**

### **Modified info.**

#### **Modified: 28 December 2016**

P49-16: 862550017 → 862462000

P49-16: 862462103 added.

#### **Modified: 23 August 2017**

P49-16: 862462000, 862462103 → 862550039

P49-16: Printed circuit board A (unit) (U.S.A.) (Canada), Printed circuit board A (unit) (Australia) (Continental Europe)  
→ Printed circuit board A (unit)

P67-18: 861651001 → 863651001

#### **Modified: 14 December 2017**

P60-45: images modified.

P60-47 → deleted.

P60-48 → 47\*

P60-49 → 48

P60-50 → 49

P61-45: 863640007 → 863640A01

P61-46: 863135004 → 863522002

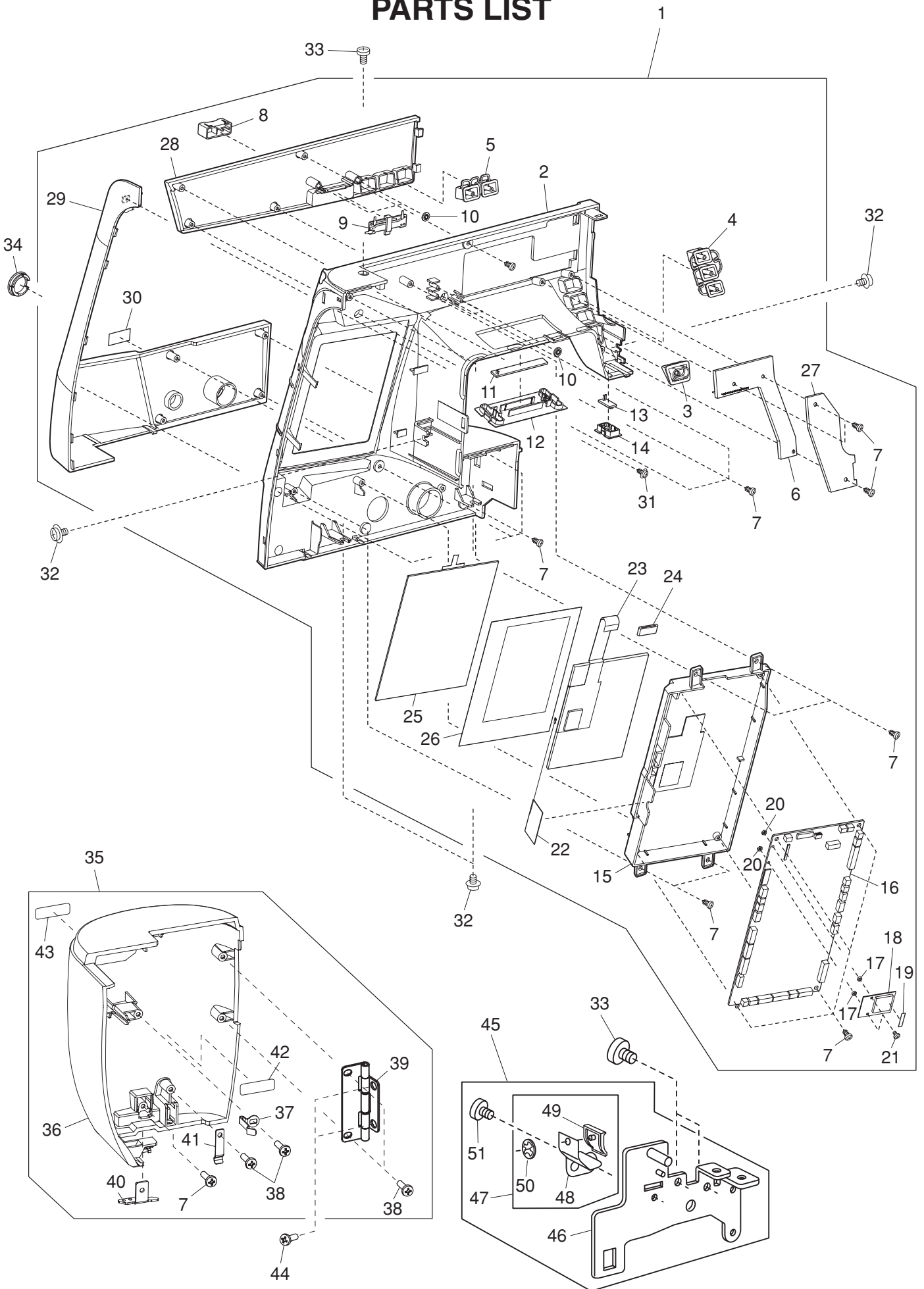
P61-47 → deleted.

P61-48 → 47\*. 863005004 → -. Extension table lid → Extension table lid (not supplied individually)

P61-49 → 48

P61-50 → 49

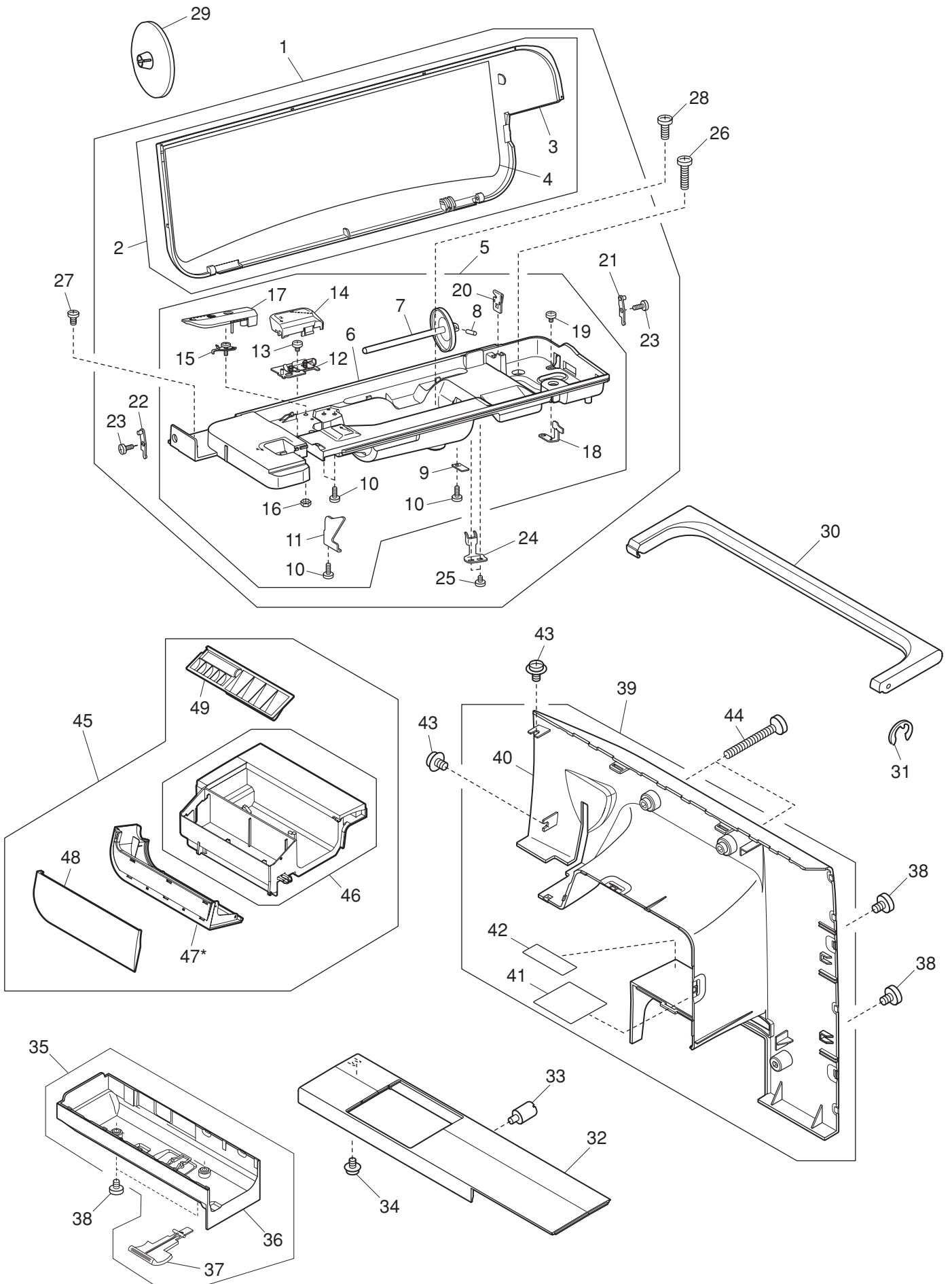
# PARTS LIST



# PARTS LIST

KEY NO.	PARTS NO.	DESCRIPTION
1	863648005	Front cover (unit)
2	863016020	Front cover
3	863017A01	Start/stop button
4	863018B01	Function button 1
5	863019B01	Function button 2
6	863510007	Printed circuit board F (unit)
7	000120203	Setscrew 3x8 (B)
8	863020005	Speed control slider
9	653507288	Slide volume (unit)
10	000014306	Snap ring CS-3
11	858502310	Printed circuit board L1 (unit)
12	858106000	LED cover 2
13	859525910	Printed circuit board L2 (unit)
14	860167006	Lamp cover 2
15	863021110	Printed circuit board A case
16	862550039	Printed circuit board A (unit)
17	000249601	Spacer
18	862528005	Communication module
19	862070007	Communication module sticker
20	000062206	Nut 2-1-4
21	000169802	Setscrew 2x6
22	862530000	Antenna (unit)
23	863512009	LCD (unit)
24	861512003	Ferrite core
25	861505106	Touch panel (unit)
26	863126A06	Touch panel sheet
27	863130009	Light shielding sheet
28	863024B01	Decorative plate 1
29	863025A06	Decorative plate 2
30	101037002	Wi-Fi sticker
31	000149301	Setscrew 3x8 (B)
32	000115205	Setscrew TP 4x6
33	000081005	Setscrew 4x8
34	859216007	Cap
35	863626007	Face plate (unit) (U.S.A.)
	863626100	Face plate (unit) (Canada)
	863626203	Face plate (unit) (Australia) (Continental Europe)
36	863103A01	Face plate
37	850013005	Face plate spring
38	000161206	Setscrew 3x10 (B)
39	851503103	Face plate hinge (unit)
40	832508006	Thread cutter (unit)
41	859233000	Spring
42	830312016	Caution sticker (U.S.A.)
	100045000	Caution sticker (Canada)
43	100517008	Caution sticker (Canada)
44	000081119	Setscrew 4x6
45	861612004	Carrying handle supporter (unit)
46	861024003	Carrying handle supporter
47	861613005	Spring (unit)
48	861073007	Spring
49	861074008	Spring cap
50	000017701	Snap ring CS-3.5
51	000101116	Setscrew 3x4

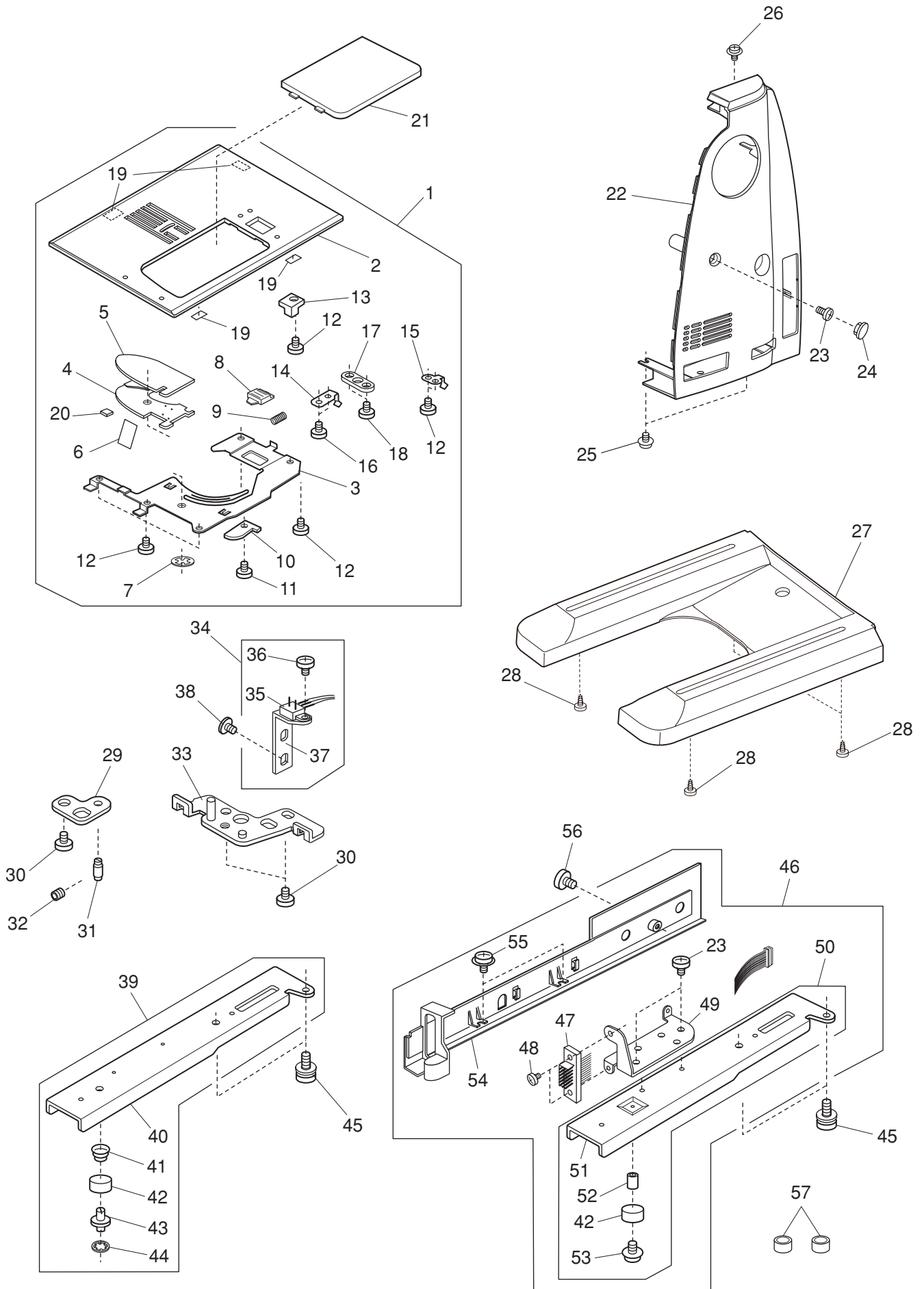
# PARTS LIST



# PARTS LIST

KEY NO.	PARTS NO.	DESCRIPTION
1	863641008	Top cover (whole unit)
2	863603606	Top cover (unit)
3	863007006	Top cover
4	863008A07	Quick reference chart
5	863642009	Top cover body (unit)
6	863137006	Top cover body
7	859052003	Spool pin
8	822017002	Spool pin shaft
9	822018003	Spool pin spring
10	000107204	Setscrew 3x12 (B)
11	862160016	Thread guide plate
12	865606007	Thread guide (unit)
13	000107307	Setscrew 3x8 (B)
14	863138007	Thread guide cover
15	862535005	Bobbin winder thread guide (unit)
16	000160102	Adjustable lock nut 4
17	862660000	Bobbin winder thread guide cover (unit)
18	861099009	Bobbin winder stopper
19	000101127	Setscrew 3x4
20	830505007	Thread cutter (unit)
21	858023002	Top cover hinge (right)
22	858023105	Top cover hinge (left)
23	000161206	Setscrew 3x10 (B)
24	859137003	Top cover hinge (right)
25	000120203	Setscrew 3x8 (B)
26	000104119	Setscrew 4x20
27	000066705	Setscrew 3x8
28	000170507	Setscrew 4x12
29	822020503	Spool holder (large)
30	861019005	Carrying handle
31	000001609	Snap ring E-5
32	861007103	Free arm cover
33	858165100	Pin
34	000114710	Setscrew TP 3x6
35	861604003	Bed cover (unit)
36	861008001	Bed cover
37	859040008	Lever
38	000081005	Setscrew 4x8
39	863653003	Rear cover (unit)
40	863134A01	Rear cover
41	861136009	Sticker
42	859263009	Sticker 2
43	000115205	Setscrew TP 4x6
44	000080901	Setscrew 4x25
45	863640A01	Extension table (whole unit)
46	863522002	Extension table (unit)
47*	—	Extension table lid (not supplied individually)
48	863006016	Extension table lid cover
49	861012008	Foot tray

# PARTS LIST

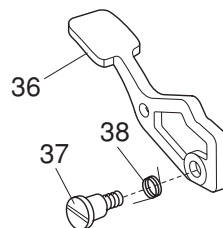
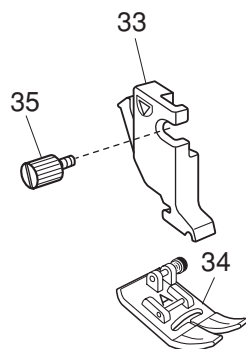
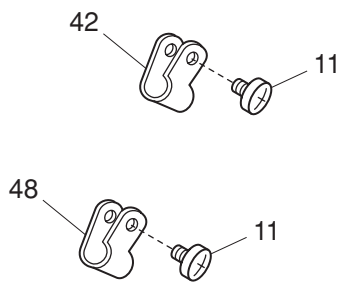
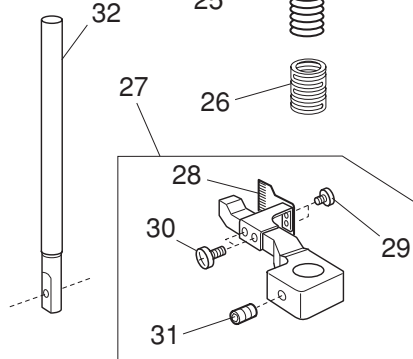
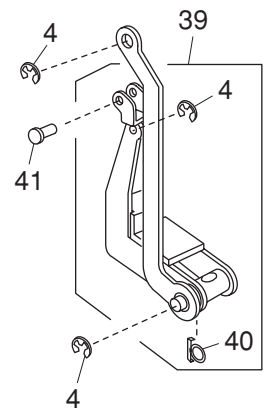
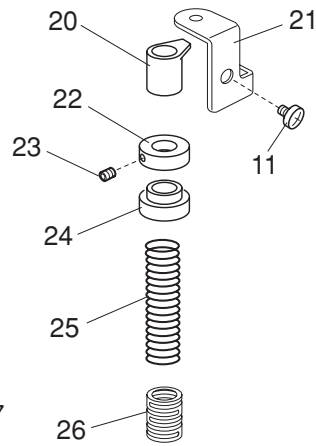
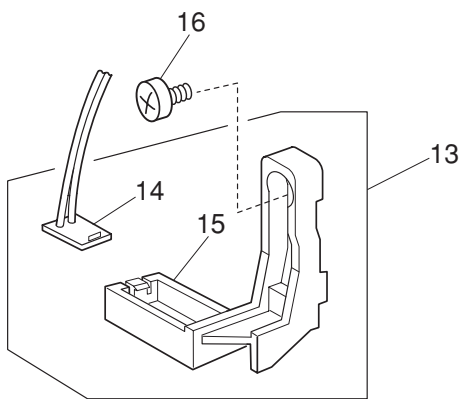
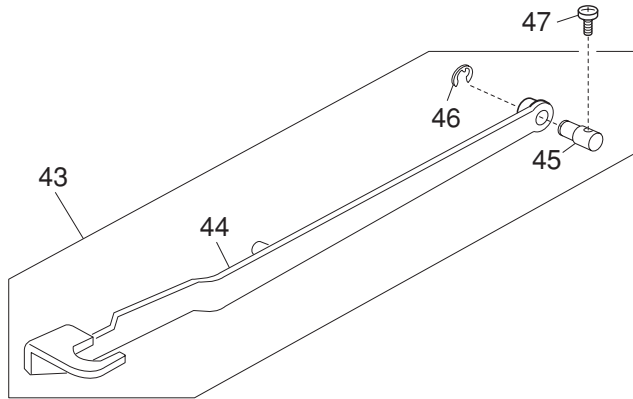
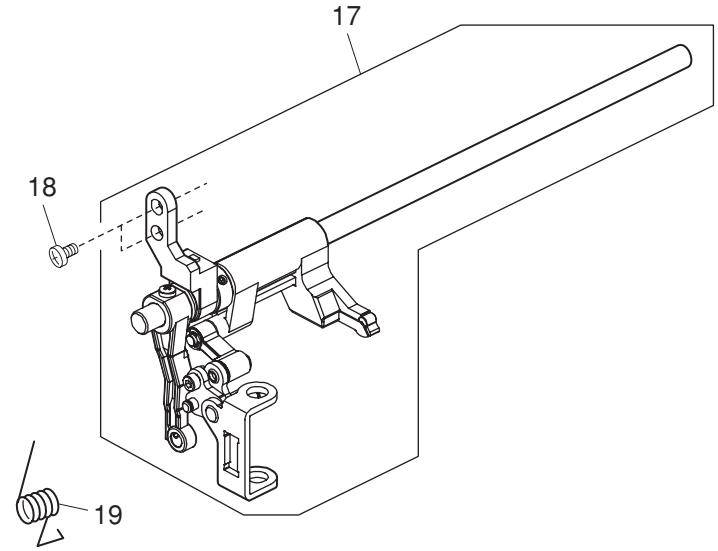
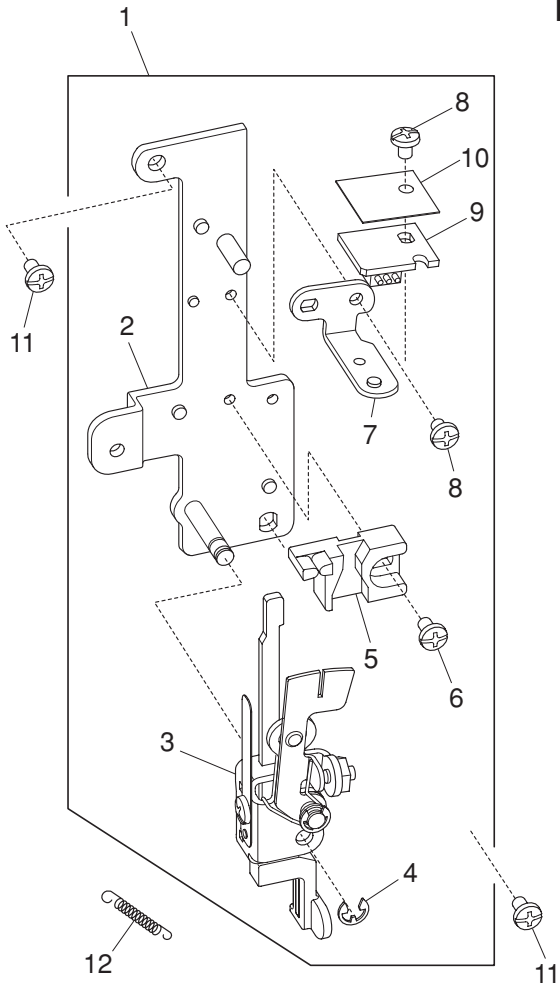


# PARTS LIST

KEY NO.	PARTS NO.	DESCRIPTION
1	861606005	Needle plate (unit)
2	861013010	Needle plate
3	861014000	Hook cover plate supporter
4	809134005	Hook cover plate supporter base
5	809135006	Guide holder
6	809137008	Cutter
7	000014306	Snap ring CS-3
8	825016000	Hook cover plate release button
9	825017001	Spring
10	809044203	Rotation stopper
11	000097613	Setscrew 2x4
12	820374004	Setscrew 2x2.3
13	859046004	Needle plate sensor block
14	859047016	Spring
15	859245005	Spring 2
16	000169709	Setscrew 2x2.3
17	859271000	Guide plate
18	000102807	Setscrew 2x4
19	859272104	Rubber sheet
20	861152001	Felt
21	809136100	Hook cover plate
22	863102013	Belt cover
23	000081005	Setscrew 4x8
24	745033002	Cap
25	000115205	Setscrew TP 4x6
26	000115009	Setscrew TP 3x8
27	863133002	Base cover
28	000161206	Setscrew 3x10 (B)
29	860003025	Needle plate nut set plate
30	810220106	Setscrew
31	859270009	Needle plate positioning pin
32	000111201	Hexagonal socket screw 4x4
33	859247018	Needle plate adjusting plate
34	859671107	Needle plate sensor (unit)
35	859524104	Switch (unit)
36	755096004	Setscrew
37	859246006	Switch set plate
38	000193001	Setscrew TP 4x6
39	861601000	Arm sole (front side) (unit)
40	861002005	Arm sole (front side)
41	858162004	Spring
42	605074008	Rubber foot
43	820350004	Adjusting screw
44	000014409	Snap ring CS-8
45	000148403	Setscrew 6x12 (S)
46	861602207	Connector (unit)
47	859519106	Connector
48	000080406	Setscrew 3x10
49	859140010	Connector set plate
50	861603002	Arm sole (rear side) (unit)
51	861003006	Arm sole (rear side)
52	000141107	Bushing
53	000119106	Setscrew TP 4x10
54	861006010	Cover
55	000115618	Setscrew TP 4x8
56	810220003	Setscrew
57	647009002	Bed rubber cushion



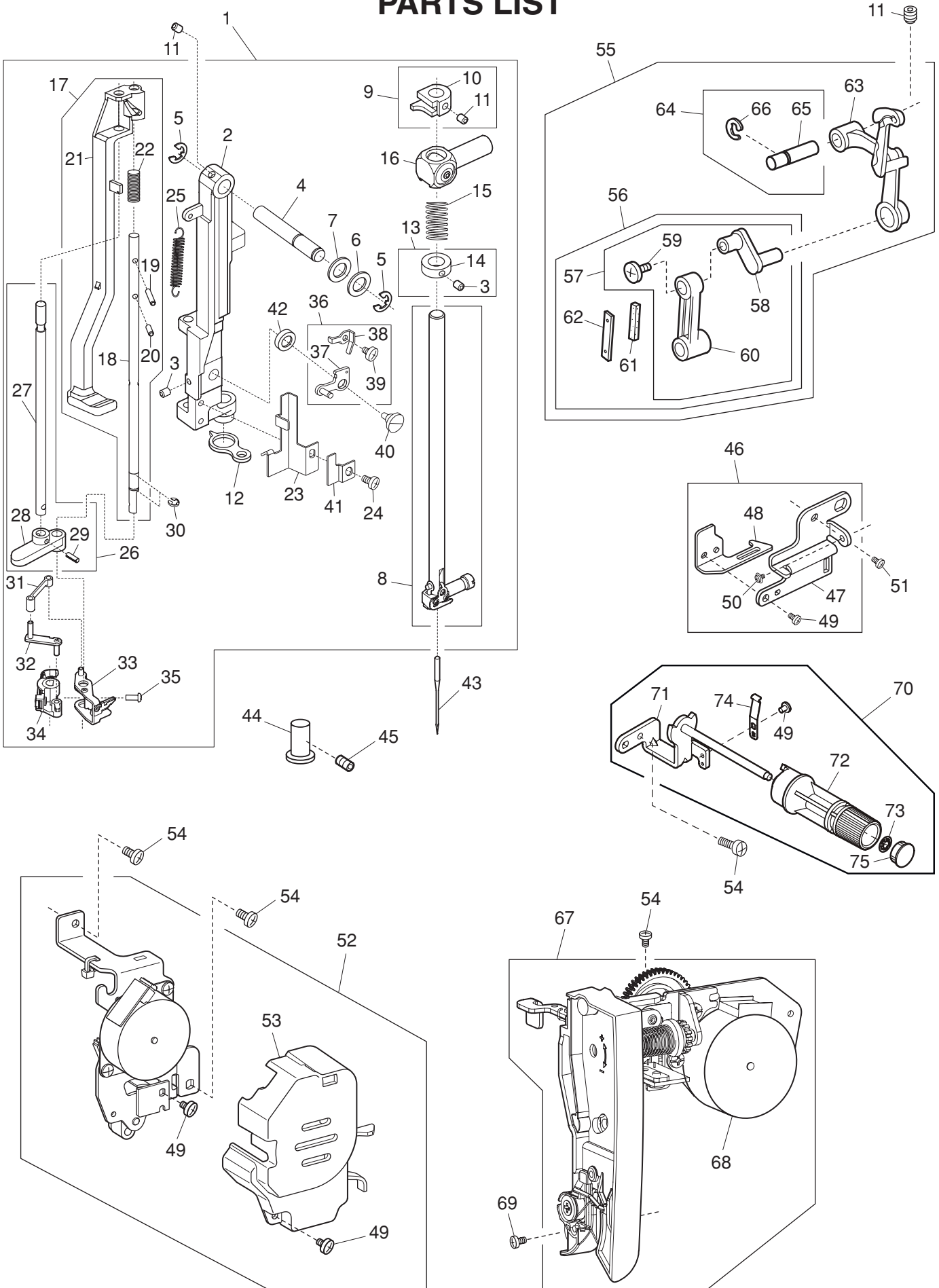
# PARTS LIST



# PARTS LIST

KEY NO.	PARTS NO.	DESCRIPTION
1	863628009	Front bracket (unit)
2	863117000	Front bracket
3	843625406	Buttonhole lever (unit)
4	000002105	Snap ring E-3
5	830057021	Buttonhole lever guide
6	000103808	Setscrew 3x5
7	846044002	Sensor base plate
8	000101105	Setscrew 3x4
9	852502909	Printed circuit board G1 (unit)
10	853028002	Insulation sheet
11	000081005	Setscrew 4x8
12	858312001	Needle bar supporter spring
13	861665600	LED cover (unit)
14	859525091	Printed circuit board L2 (unit)
15	859232021	LED cover
16	000078319	Setscrew 3x6
17	863631005	Upper feed upper shaft (unit)
18	000103509	Setscrew 4x10
19	863124000	Upper feed upper shaft spring
20	652104004	Presser bar bushing
21	859075002	Presser bar plate
22	859076003	Presser foot lifter stopper
23	000216805	Hexagonal socket screw 3x3
24	859077004	Spring supporter
25	859078005	Presser bar spring
26	859210001	Spring supporter
27	859624002	Presser bar supporter (unit)
28	859081001	Shielding plate
29	000098108	Setscrew 2x3
30	000128603	Setscrew 3x5
31	000111201	Hexagonal socket screw 4x4
32	859082002	Presser bar
33	859801005	Presser foot holder (unit)
34	859802006	Zigzag foot (unit)
35	858274000	Thumbscrew
36	859027009	Presser foot lifter lever
37	859028000	Setscrew
38	859029001	Spring
39	859627016	Upper feed foot (unit)
40	858313002	Washer
41	846327002	Pin (1)
42	000188601	Nylon clip ACC-2.5
43	863639003	Automatic presser foot lifter lever (unit)
44	859069003	Automatic presser foot lifter lever
45	859070007	Presser foot lifter lever shaft
46	000002507	Snap ring E-4
47	000101703	Setscrew 4x12
48	000188405	Nylon clip ACC-2.0

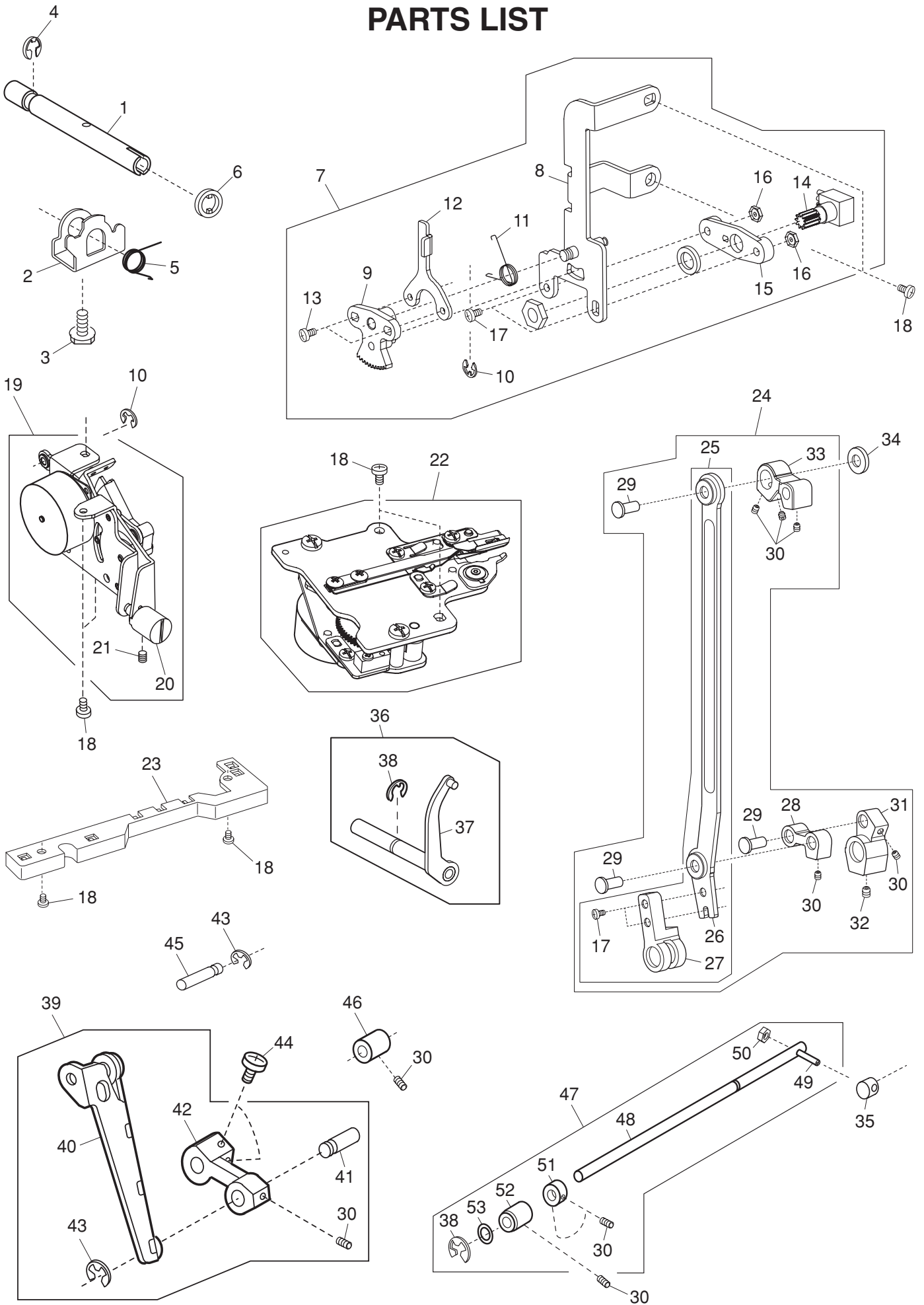
# PARTS LIST



# PARTS LIST

KEY NO.	PARTS NO.	DESCRIPTION
1	863629000	Needle bar supporter (unit)
2	858250000	Needle bar supporter
3	000111902	Hexagonal socket screw 3x4
4	735144006	Needle bar supporter pin
5	000002507	Snap ring E-4
6	000070609	Washer 6
7	673022002	Washer
8	858538005	Needle bar (unit)
9	858540000	Rotation pin stopper (unit)
10	858254004	Rotation pin stopper
11	000111201	Hexagonal socket screw 4x4
12	829027006	Supporter guide plate
13	858541001	Threader guide ring (unit)
14	858276002	Threader guide ring
15	858172007	Needle bar supporter spring
16	846515009	Needle bar supporter (unit)
17	858686009	Threader shaft (unit)
18	858255016	Threader shaft
19	000265500	Spring pin E-2x12-CH
20	000265603	Spring pin E-2x6-CH
21	858256006	Threader lever
22	863128004	Needle threader spring
23	858272008	Threader lever supporter
24	000078320	Setscrew 3x6
25	858258019	Needle threader return spring
26	862625003	Threader supporter shaft (unit)
27	858259009	Threader supporter shaft
28	858260003	Threader guide
29	000022204	Spring pin 2x6 (K)
30	000001207	Snap ring E-2.5
31	858265008	Link plate 1
32	858266009	Link plate 2
33	862626015	Threader guard plate (unit)
34	862627005	Hook holder (unit)
35	000230403	Setscrew 2x5
36	861630008	Zigzag width rod (unit)
37	808015006	Zigzag width rod
38	827088009	Zigzag width rod spring
39	820373003	Setscrew 2x3
40	678084306	Eccentric pin
41	863131000	Threader lever supporter 2
42	863127003	Washer
43	647814031	Needle
44	827083004	Supporter guide pin
45	000216805	Hexagonal socket screw 3x3
46	862651008	Arm thread guide (unit)
47	862081001	Arm thread guide
48	862133009	Thread guide plate
49	000101105	Setscrew 3x4
50	000114710	Setscrew TP 3x6
51	000078319	Setscrew 3x6
52	863647004	Zigzag width motor (unit)
53	861055014	Motor cover
54	000081005	Setscrew 4x8
55	865618002	Thread take-up lever (whole unit)
56	846615103	Needle bar crank (unit)
57	843543007	Needle bar crank pin (unit)
58	652143005	Needle bar crank pin
59	647139002	Needle bar crank pin knob
60	650039001	Needle bar crank rod
61	650040005	Felt
62	650041006	Spring
63	820511108	Thread take-up lever (unit)
64	650626001	Thread take-up lever pin (unit)
65	650062003	Thread take-up lever pin
66	000002806	Snap ring E-6
67	863644001	Thread tension (unit)
68	865508008	Stepping motor (unit)
69	000101703	Setscrew 4x12
70	862634005	Upper feed adjusting base plate (unit)
71	862085005	Upper feed adjusting base plate
72	862086006	Upper feed adjusting dial
73	000013903	Snap ring CS-5
74	846353007	Dial leaf
75	862126009	Cap

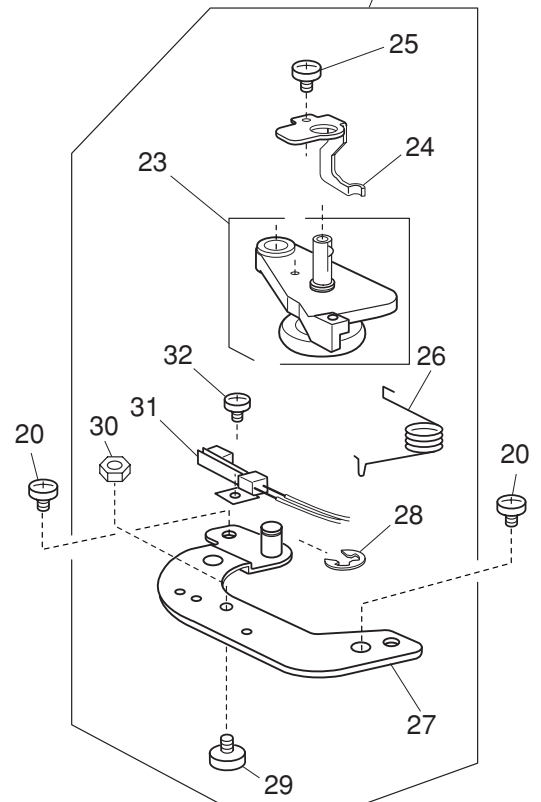
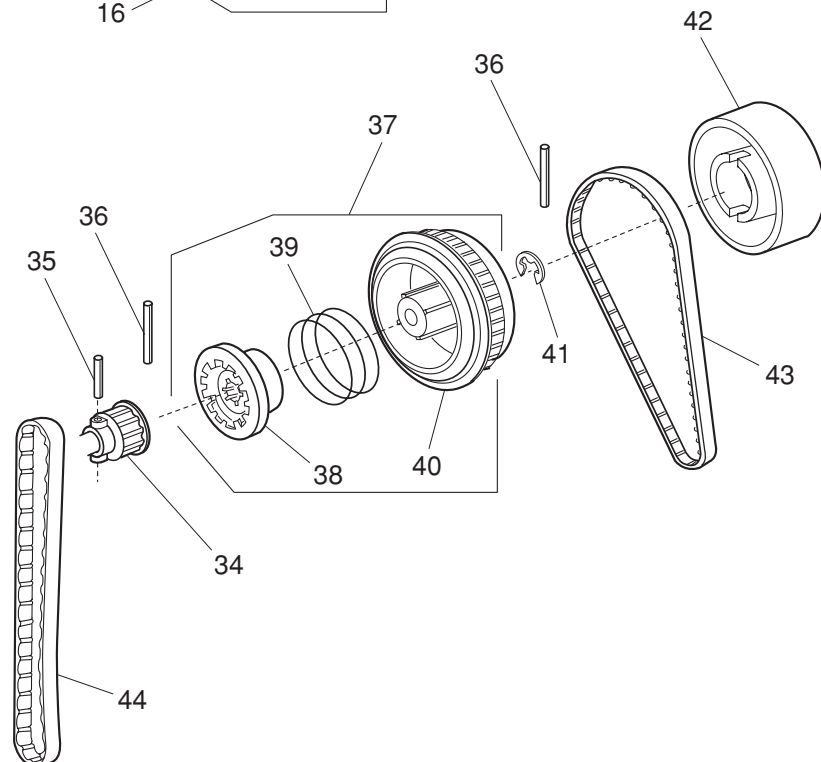
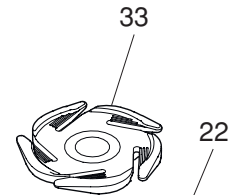
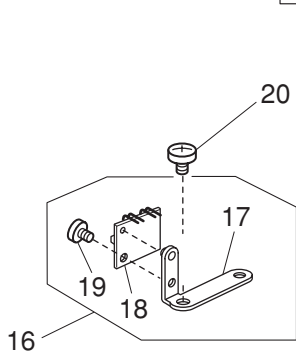
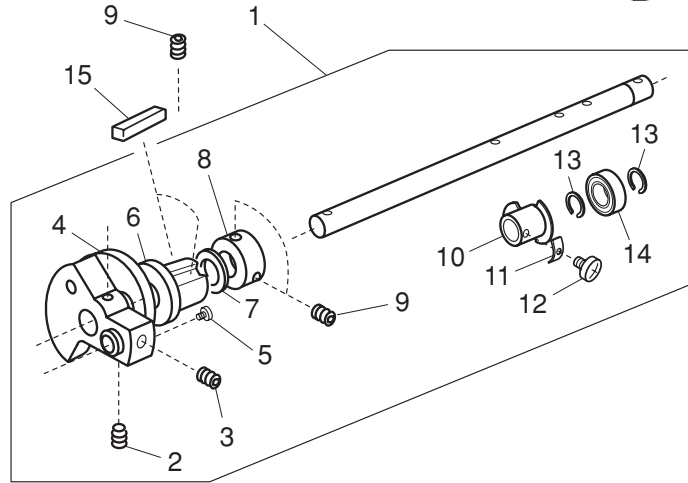
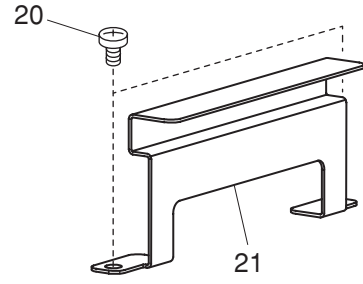
# PARTS LIST



# PARTS LIST

KEY NO.	PARTS NO.	DESCRIPTION
1	863125001	Knee lifter shaft
2	859021014	Knee lifter stopper
3	000138503	Hexagonal socket screw 5x12
4	000002208	Snap ring E-9
5	859022004	Knee lifter stopper spring
6	846297002	Stopper
7	863634101	Knee lifter sensor (unit)
8	863115008	Knee lifter sensor set plate
9	850085008	Bobbin thread sensor gear
10	000002105	Snap ring E-3
11	859025007	Knee lifter sensor spring
12	859026008	Knee lifter sensor arm
13	000078319	Setscrew 3x6
14	850520000	Potentiometer (unit)
15	850087000	Potentiometer set plate
16	000063104	Nut 3-2-5.5
17	000066705	Setscrew 3x8
18	000081005	Setscrew 4x8
19	863646003	Feed motor (unit)
20	859215006	Feed balancing dial
21	000110200	Hexagonal socket screw 4x4 (WP)
22	863638002	Automatic thread cutter (unit)
23	861077001	Cord guide 2 (Free arm)
24	863632006	Upper feed adjusting arm (unit)
25	863633007	Upper feed connecting link (unit)
26	863110003	Upper feed connecting link
27	846307006	Connecting link
28	846349000	Upper feed adjusting link
29	820144003	Pin
30	000111201	Hexagonal socket screw 4x4
31	846350004	Upper feed adjusting arm (1)
32	000111304	Hexagonal socket screw 5x5
33	863111004	Upper feed upper shaft rear arm
34	822070003	Felt (1)
35	846348009	Rear arm feed lifting roller
36	858644108	Upper feed adjusting arm (2) (unit)
37	863109009	Upper feed adjusting arm (2)
38	000002806	Snap ring E-6
39	858623101	Feed connecting link (unit)
40	863107007	Feed connecting link
41	502258006	Connecting pin
42	846304106	Upper feed lower shaft front arm
43	000002507	Snap ring E-4
44	000103509	Setscrew 4x10
45	502258202	Connecting pin
46	784071003	Looper shaft bushing
47	858624102	Upper feed lower shaft (unit)
48	863108008	Upper feed lower shaft
49	846306005	Upper feed lower shaft rear arm
50	000061102	Nut 4-1-7
51	820166001	Lower shaft ring
52	846303002	Upper feed lower shaft rear bushing
53	000038502	Washer

# PARTS LIST

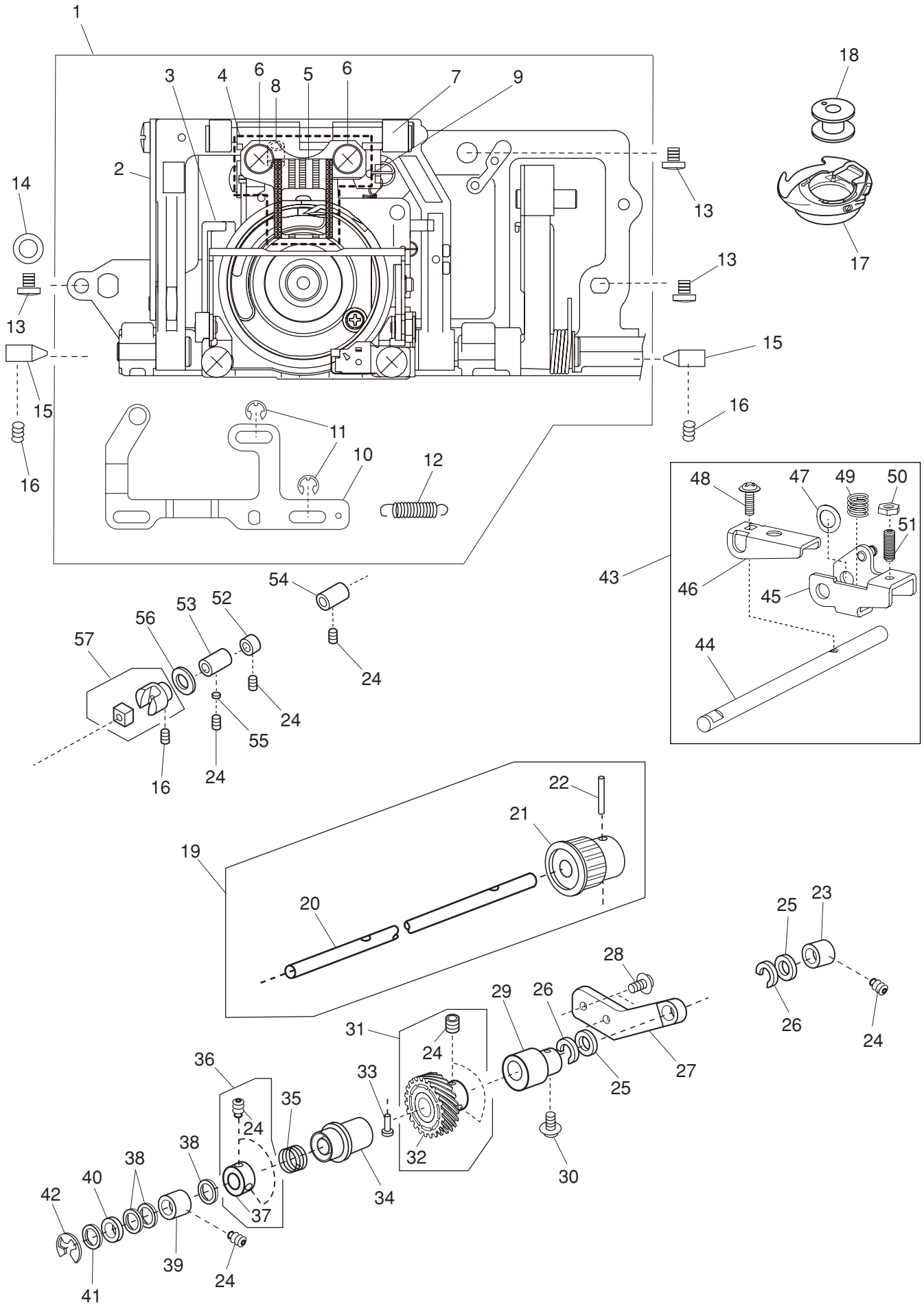


# PARTS LIST

KEY NO.	PARTS NO.	DESCRIPTION
1	861619506	Upper shaft (unit)
2	000111706	Hexagonal socket screw 5x8
3	000110901	Hexagonal socket screw 5x4
4	859214005	Upper feed cam
5	000078319	Setscrew 3x6
6	670079201	Upper shaft front bushing
7	000040105	Washer
8	767077006	Ring
9	000111304	Hexagonal socket screw 5x5
10	862002008	Upper shaft shield plate
11	859033008	Shield plate washer
12	000080406	Setscrew 3x10
13	000032702	Snap ring crescent
14	767178101	Ball bearing 6901ZZ
15	731312005	Felt
16	861620201	Upper shaft sensor (unit)
17	861039001	Sensor set plate
18	807505304	Printed circuit board P (unit)
19	000101105	Setscrew 3x4
20	000081005	Setscrew 4x8
21	863122008	Cord guide plate 3
22	861636004	Bobbin winder (unit)
23	861503001	Bobbin winder
24	861096006	Clutch lever
25	000120203	Setscrew 3x8 (B)
26	861091001	Bobbin winder arm spring
27	861092002	Bobbin winder set plate
28	000001609	Snap ring E-5
29	861153002	Bobbin winder stopper screw
30	000063104	Nut 3-2-5.5
31	856512100	Leaf switch (unit)
32	000081706	Setscrew 2.5x5
33	862647001	Thread cutter holder (unit)
34	858052000	Upper shaft gear
35	000004303	Spring pin 3x20
36	000024206	Spring pin 3x30
37	858647008	Belt wheel (unit)
38	858053001	Clutch ring
39	502065004	Clutch spring
40	858054002	Belt wheel
41	000030009	Snap ring E-10
42	858055106	Handwheel
43	846098001	Timing belt 178
44	858118005	Timing belt 168



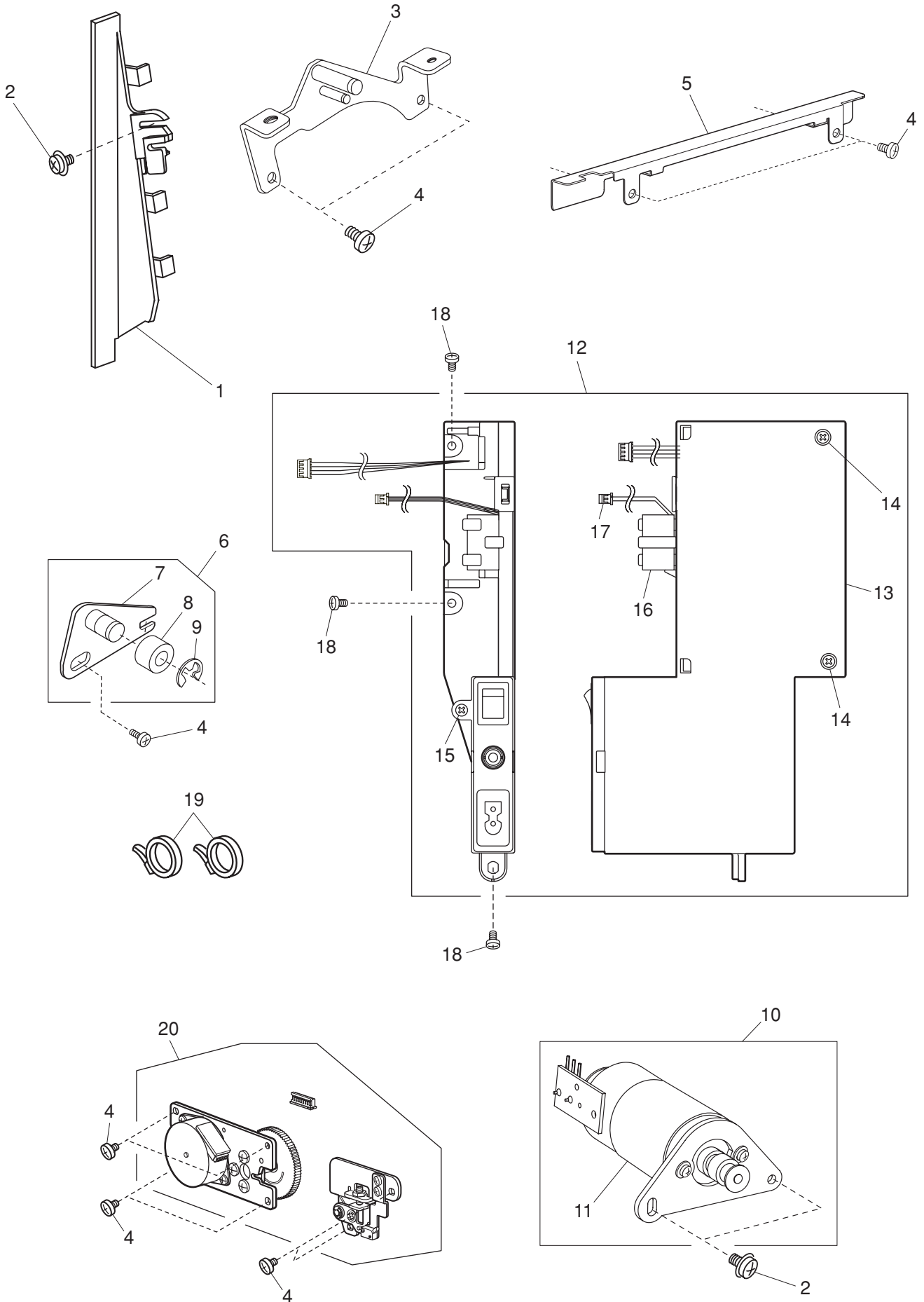
# PARTS LIST



# PARTS LIST

KEY NO.	PARTS NO.	DESCRIPTION
1	861625402	Feed rock shaft (whole unit)
2	846629203	Feed rock shaft (unit)
3	861626001	Hook race (unit)
4	859639000	Feed base (unit)
5	859113003	Feed dog
6	000104005	Setscrew 3.5x8
7	825099007	Feed base shaft
8	000111407	Hexagonal socket screw 4x6
9	825103005	Feed base spring
10	858138001	Drop plate
11	000002105	Snap ring E-3
12	661018008	Spring
13	000081005	Setscrew 4x8
14	000070506	Washer 4
15	738055008	Straight pin
16	000111304	Hexagonal socket screw 5x5
17	846652504	Bobbin holder (unit)
18	102261103	Bobbin
19	861621006	Lower shaft (unit)
20	861040005	Lower shaft
21	650073007	Lower gear
22	000004200	Spring pin 3x18
23	650079003	Lower shaft bushing (rear)
24	000111201	Hexagonal socket screw 4x4
25	822070003	Felt (1)
26	822112008	Felt holder (1)
27	858058006	Lower shaft supporter
28	000115700	Setscrew TP 4x10
29	846379009	Feed cam
30	000149600	Setscrew 3x14
31	850687109	Lower shaft gear (unit)
32	808137005	Lower shaft gear
33	820161006	Feed lifting pin
34	846103000	Feed lifting cam
35	825093001	Feed lifting cam spring
36	820672005	Lower shaft ring (unit)
37	820166001	Lower shaft ring
38	000038502	Washer
39	858060001	Lower shaft bushing (front)
40	735143005	Felt
41	858177002	Lower shaft washer
42	000002806	Snap ring E-6
43	861627002	Feed shaft (unit)
44	861048003	Feed shaft
45	858129009	Feed arm 1
46	858130003	Feed arm 2
47	810207004	Washer
48	000201302	Setscrew TP 3x10
49	589040002	Spring
50	000160102	Adjustable lock nut 4
51	000177401	Hexagonal socket screw 4x12
52	820387000	Ring
53	625144002	Feed shaft bushing (front)
54	650092002	Feed shaft bushing (rear)
55	650175000	Washer
56	823110009	Felt
57	625508008	Feed regulator (unit)

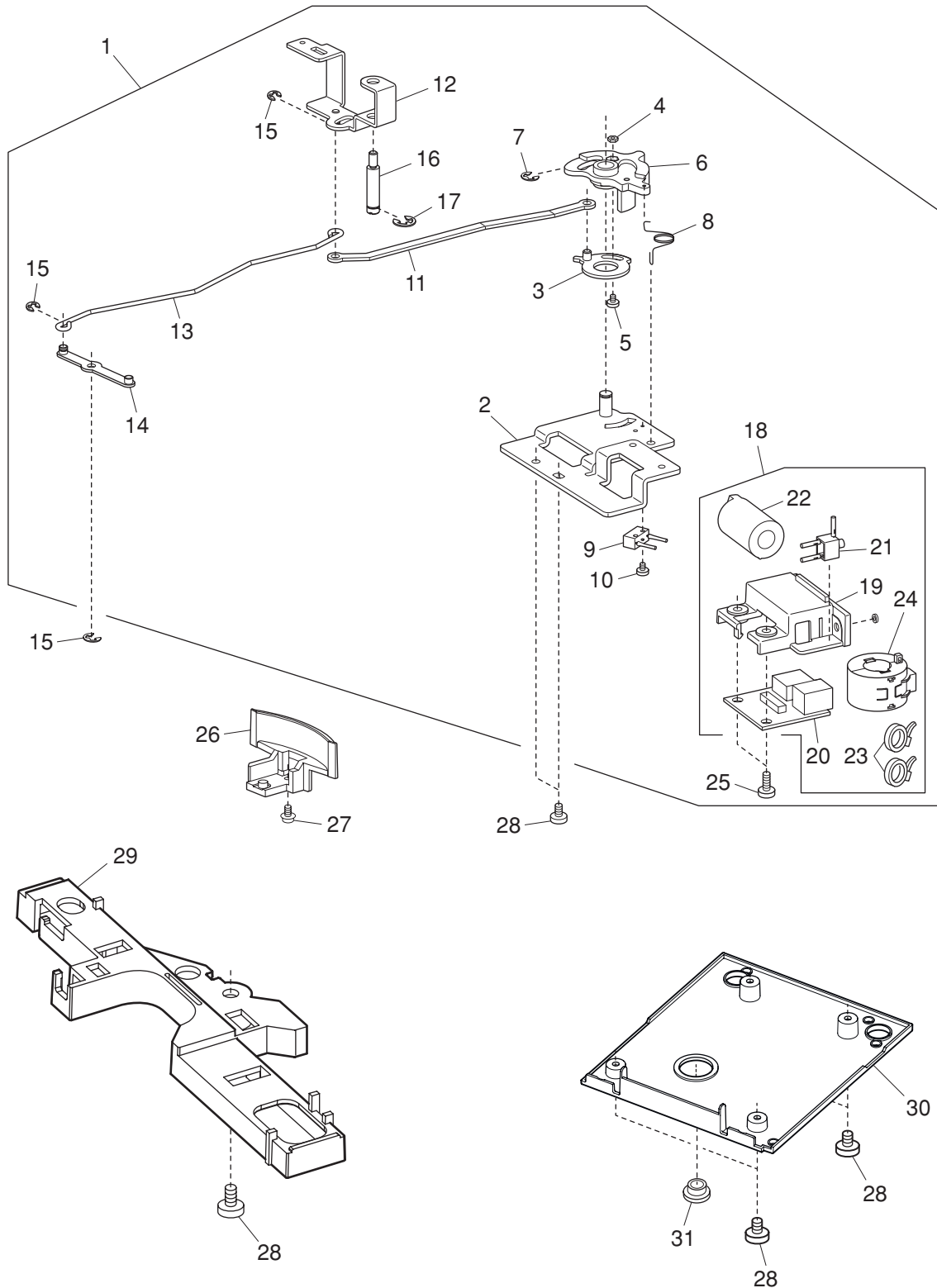
# PARTS LIST



# PARTS LIST

KEY NO.	PARTS NO.	DESCRIPTION
1	858145012	Cord guide plate
2	000115607	Setscrew TP 4x8
3	861075009	Carrying handle supporter (rear)
4	000081005	Setscrew 4x8
5	863129016	Cord guide
6	860608004	Idler (unit)
7	860021007	Idler base
8	625217100	Idler
9	000002806	Snap ring E-6
10	858639100	DC motor (unit)
11	843518807	DC motor
12	863652002	Switching power supply (unit) (U.S.A.) (Canada)
	863652208	Switching power supply (unit) (Australia) (Continental Europe)
13	862005001	Switching power supply case (U.S.A.) (Canada)
	862005012	Switching power supply case (Australia) (Continental Europe)
14	000119704	Setscrew 3x14 (B)
15	000161206	Setscrew 3x10 (B)
16	808108007	Ferrite core
17	863505308	TRS connector cord
18	000103509	Setscrew 4x10
19	000053008	Cord binder
20	863643000	Presser foot lifter motor (unit)

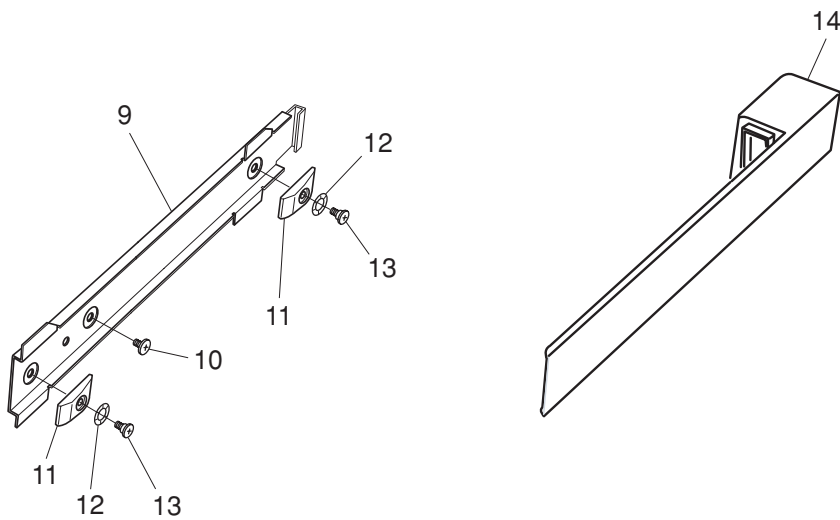
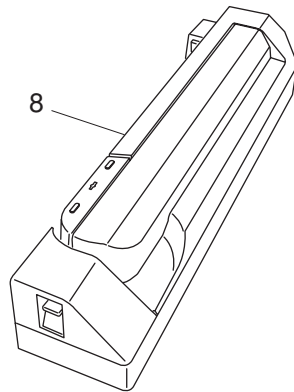
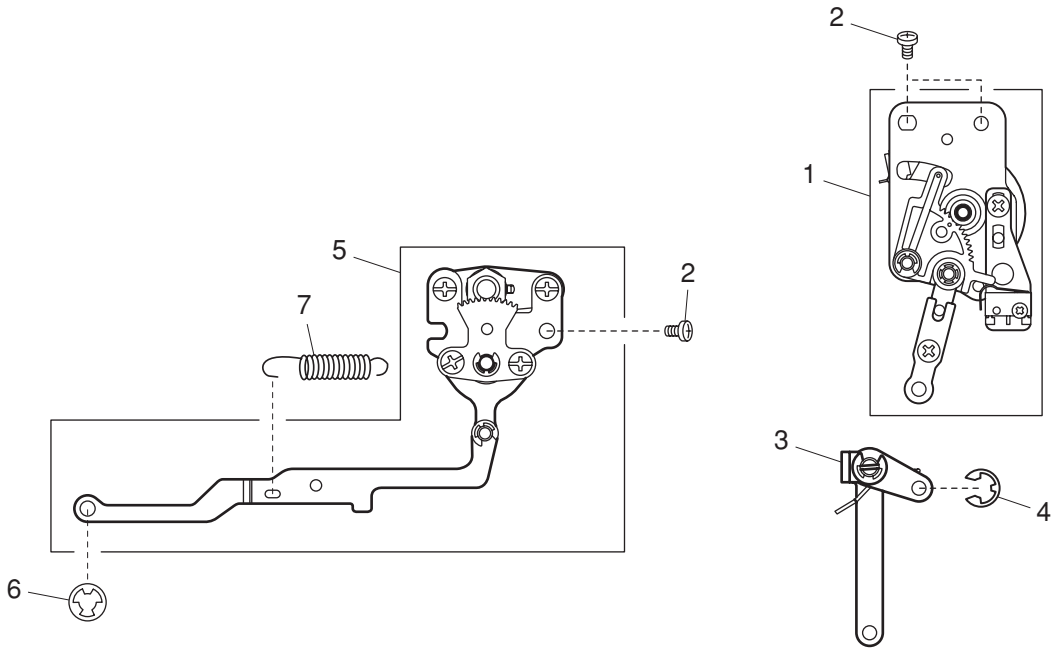
# PARTS LIST



# PARTS LIST

KEY NO.	PARTS NO.	DESCRIPTION
1	863650000	Feed dog drop lever (unit)
2	863116009	Feed dog drop lever base
3	858142008	Feed dog drop lever connecting plate
4	000061803	Nut 3-3-5.5
5	000066705	Setscrew 3x8
6	858143009	Feed dog drop lever
7	000002507	Snap ring E-4
8	823119008	Spring
9	846513030	Micro switch (unit)
10	000102900	Setscrew 2x8
11	863144006	Drop rod 1
12	863145007	Automatic feed dog drop arm
13	863146008	Drop rod 2
14	858139002	Drop connecting block
15	000002105	Snap ring E-3
16	861083000	Automatic feed dog drop shaft
17	000001609	Snap ring E-5
18	863651001	Printed circuit board B case (unit)
19	861090011	Printed circuit board B case
20	864508108	Printed circuit board B
21	863517107	Jack cord
22	863504008	Ferrite core
23	000053101	Cord binder
24	000595100	Ferrite core
25	000103509	Setscrew 4x10
26	863147009	Automatic feed dog drop shaft lever
27	000114709	Setscrew TP 3x6
28	000081005	Setscrew 4x8
29	863104015	Cord guide 1
30	863029004	Base plate
31	626045407	Cap

# PARTS LIST

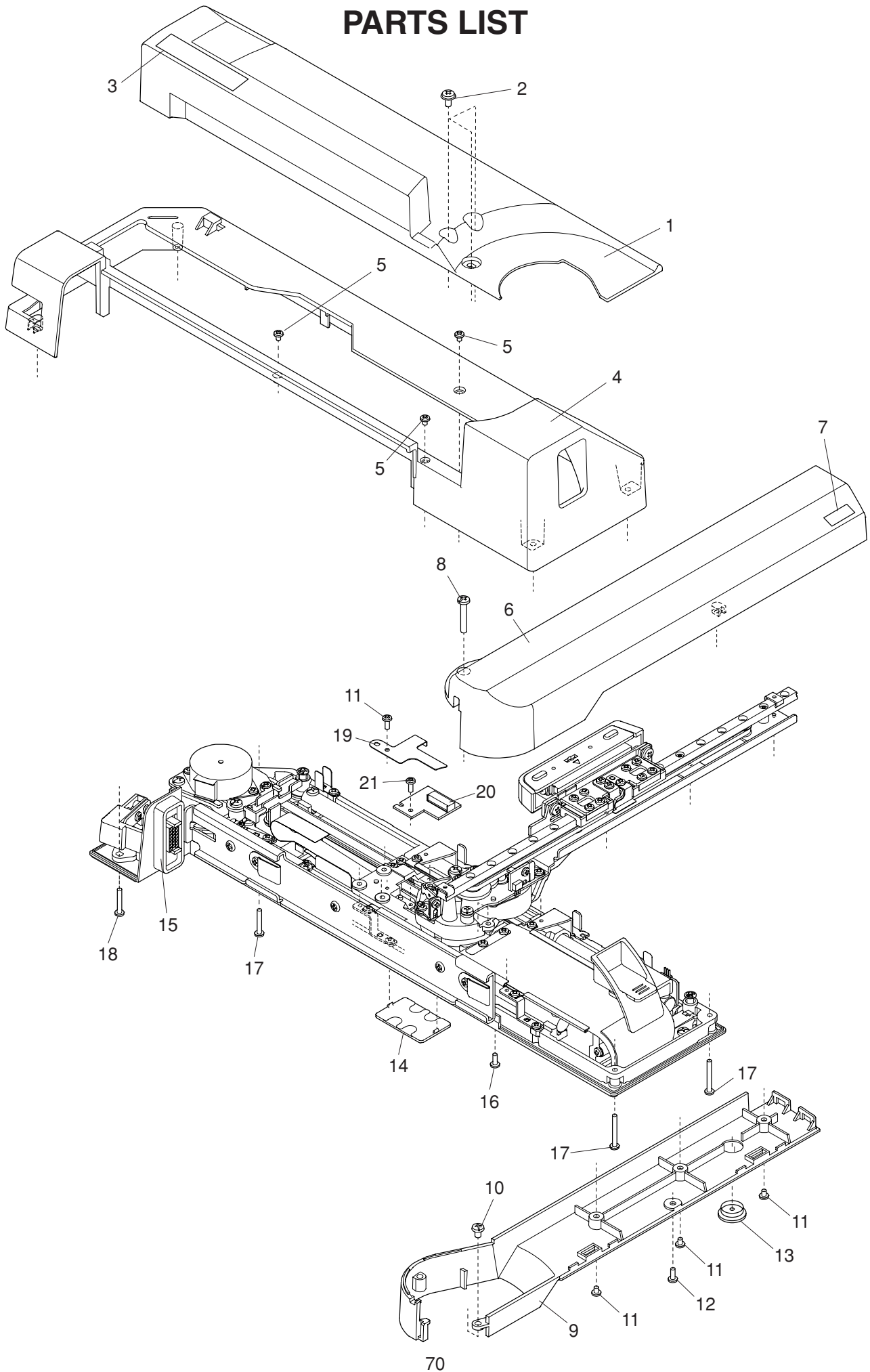


## PARTS LIST

KEY NO.	PARTS NO.	DESCRIPTION
1	863645002	Bobbin thread sensor motor (unit)
2	000081005	Setscrew 4x8
3	861623101	Bobbin thread sensor arm (unit)
4	000002105	Snap ring E-3
5	859606307	Sensor set plate (unit)
6	000013707	Snap ring CS-2.4
7	861151000	Spring
8	861651603	Embroidery unit (unit) (Refer to Pages 24-27 for details)
9	861087004	Rail
10	810220003	Setscrew
11	859139005	Cushion
12	000116000	Washer 7
13	859273002	Setscrew
14	861088108	Cover



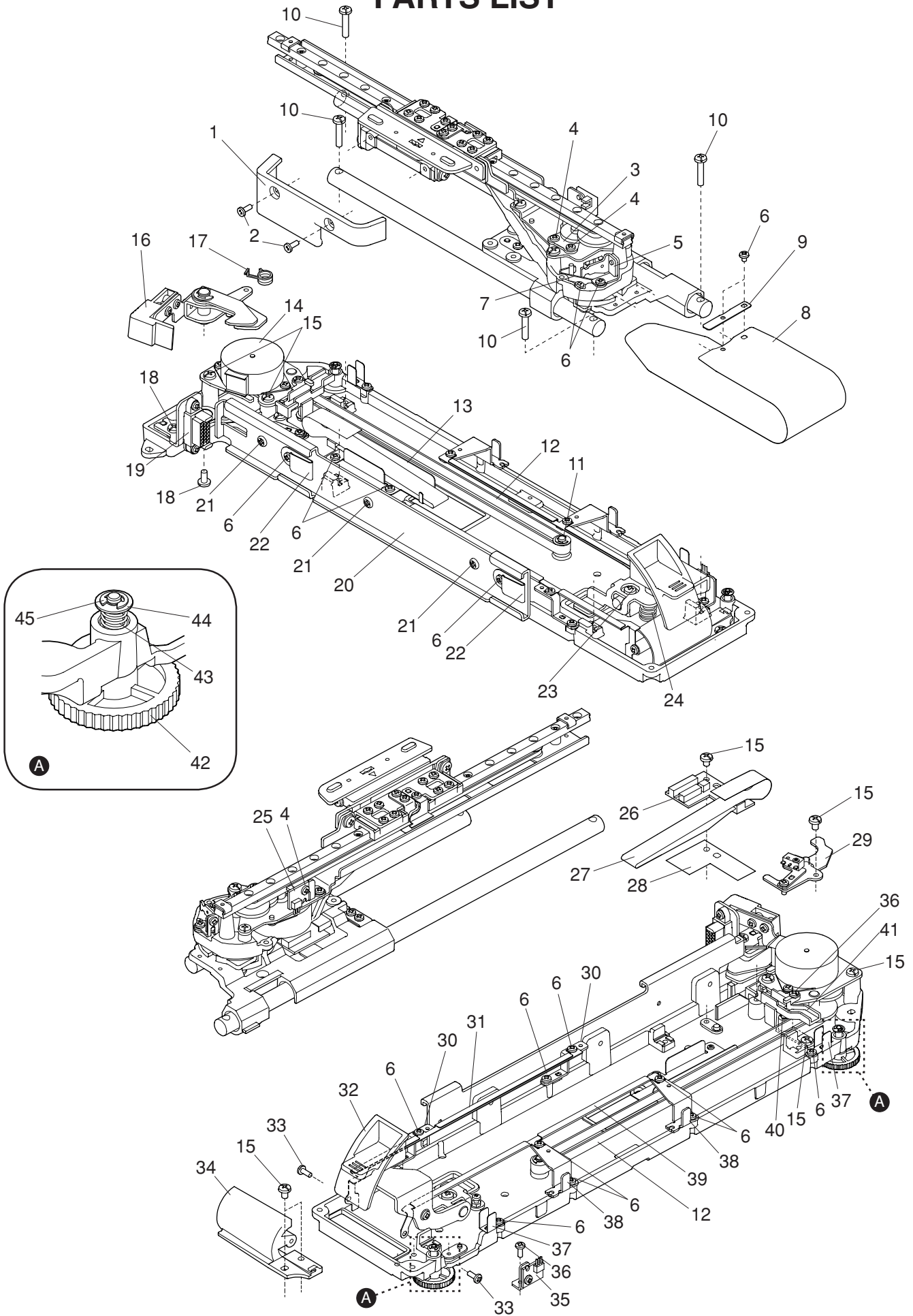
# PARTS LIST



# PARTS LIST

KEY NO.	PARTS NO.	DESCRIPTION
1	861663000	X-carriage cover (unit)
2	000115607	Setscrew TP 4x8
3	861157006	Y-carriage sticker
4	861662102	Embroidery unit cover (upper) (unit)
5	000097406	Setscrew 3x3
6	861129A03	Y-carriage cover (upper)
7	861135008	Carriage sticker
8	000080901	Setscrew 4x25
9	861114001	Y-carriage cover (lower)
10	000101404	Setscrew 4x6
11	000101105	Setscrew 3x4
12	000120203	Setscrew 3x8 (B)
13	797141201	Cap
14	850156001	Cover plate
15	861131107	Embroidery unit cover (bottom)
16	000066705	Setscrew 3x8
17	000171405	Setscrew 3x25 (B)
18	000119704	Setscrew 3x14 (B)
19	861133006	X-carriage code guide
20	861521005	Printed circuit board S2 (unit)
21	000103808	Setscrew 3x5

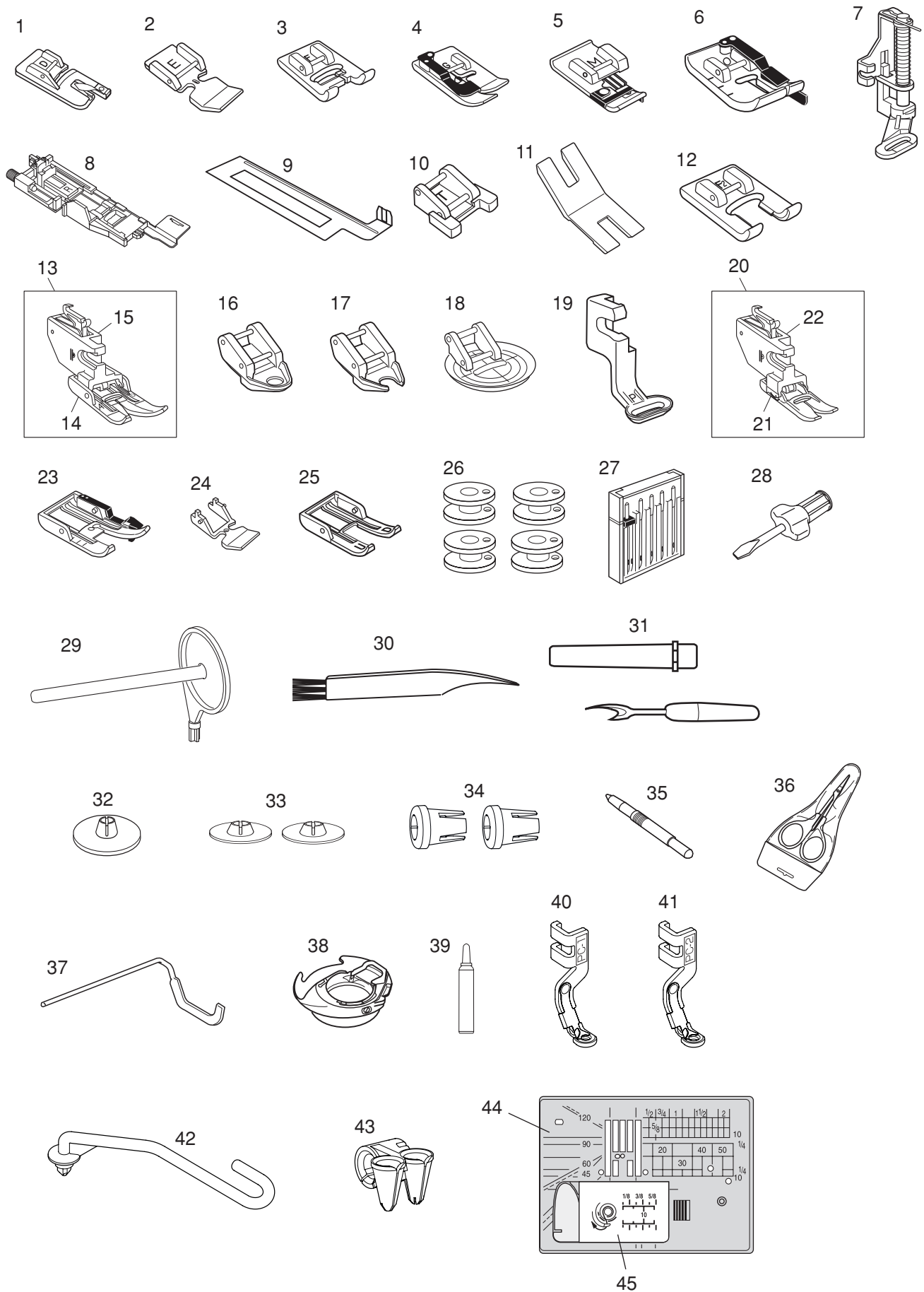
# PARTS LIST



# PARTS LIST

KEY NO.	PARTS NO.	DESCRIPTION
1	861130003	Carriage side cover
2	000066727	Setscrew 3x8
3	861137000	Y-gear set plate
4	000097406	Setscrew 3x3
5	859670117	Swing switch (unit)
6	000101105	Setscrew 3x4
7	859208006	Swing spring
8	861126006	Film
9	859201009	Film holder
10	000104108	Setscrew 4x20
11	859667007	X-pulley shaft (unit)
12	861100303	Syncro belt 548
13	861105009	Flexible cable guide plate
14	861652006	X-Motor (unit)
15	000101404	Setscrew 4x6
16	861660100	Hook (unit)
17	859186007	Fixed spring
18	000081005	Setscrew 4x8
19	861658002	Connector (unit)
20	861121001	Unit Rail
21	810220106	Setscrew
22	859182014	Rail spring
23	000114802	Setscrew TP 4x12
24	858097007	Spring
25	860515209	Printed crcuit board G2 (unit)
26	861520004	Printed crcuit board S1 (unit)
27	859523103	Flexible cable (unit)
28	861104008	Insulation paper
29	861661008	Switch (unit)
30	859202000	Film guide support plate 1
31	861124004	Film guide 2
32	861659003	Release lever (unit)
33	000120203	Setscrew 3x8 (B)
34	859194019	Film guide 1
35	861653007	X-sensor
36	000103808	Setscrew 3x5
37	859239006	Cord guide plate 2
38	859203001	Film guide support plate 2
39	861125005	Film guide 3
40	859669009	Idler base (unit)
41	861132005	X-Motor code guide
42	859209100	Adjusting foot
43	856801408	Slide spring
44	000070104	Washer 3
45	000001207	Snap ring E-2.5

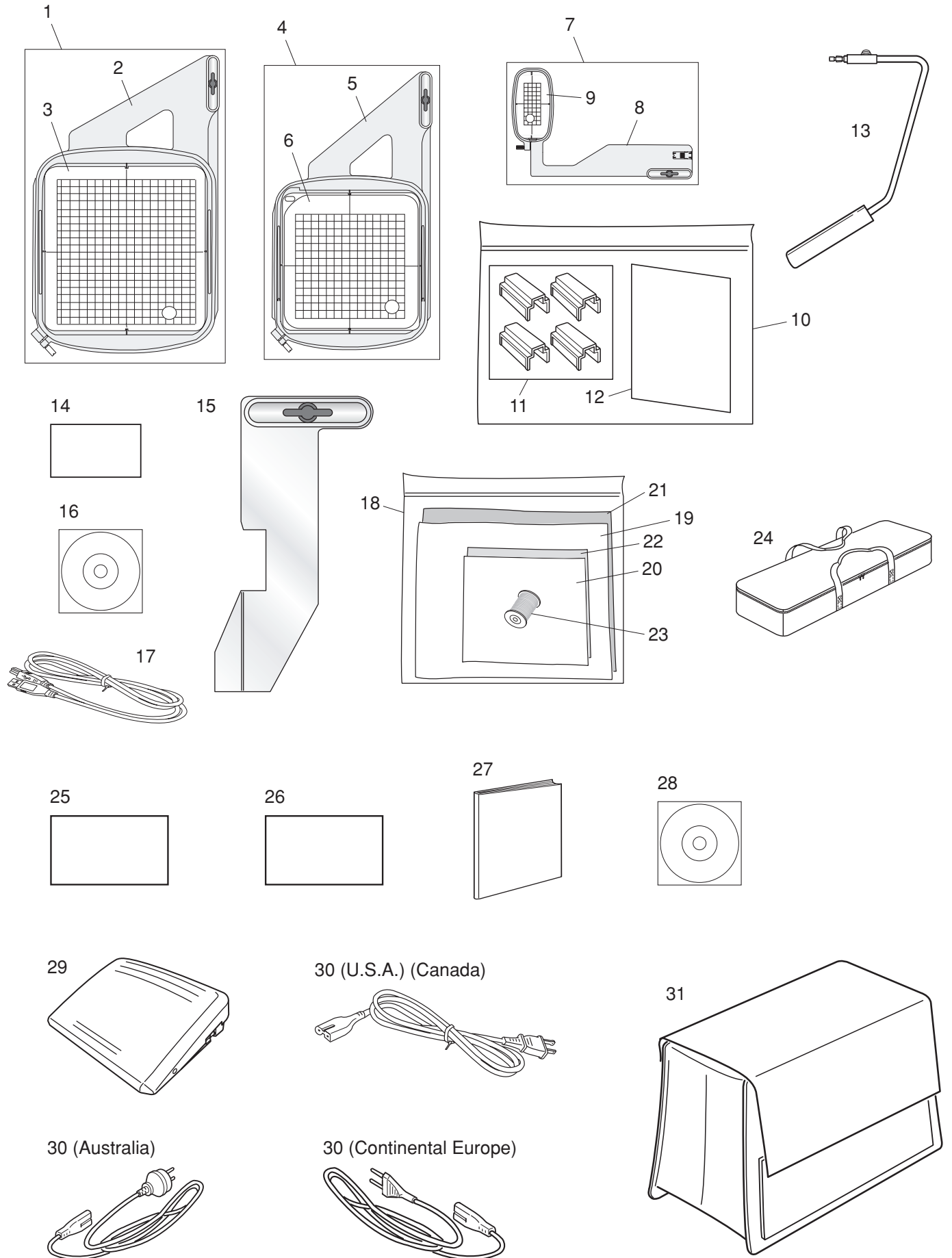
# PARTS LIST



# PARTS LIST

KEY NO.	PARTS NO.	DESCRIPTION
1	859804008	Rolled hem foot D
2	859805009	Zipper foot E
3	859806011	Satin stitch foot F
4	859807001	Blind hemming foot G
5	859810007	Overedge foot M
6	859814001	1/4" Seam foot O
7	859839002	Darning foot PD-H
8	862822013	Automatic buttonhole foot R
9	859832016	Stabilizer plate
10	859811008	Button sewing foot T
11	832820007	Button shank plate
12	859813000	Open toe satin stitch foot F2
13	859819017	Dual feed holder (twin) (unit)
14	859819109	Dual feed foot AD (twin)
15	859817015	Dual feed holder (twin)
16	859836009	Free motion quilting closed-toe foot QC
17	859837000	Free motion quilting open-toe foot QO
18	859812009	Free motion quilting zigzag foot QV
19	859816025	Embroidery foot P
20	859835019	Dual feed holder (single) (unit)
21	859835101	Dual feed foot VD (single)
22	859833017	Dual feed holder (single)
23	859829009	Dual feed quilt piecing foot OD (twin)
24	859838001	Dual feed zipper foot ED (single)
25	202150019	AcuFeed open toe foot UD (twin)
26	102261103	Bobbin
27	859856005	Needle case (unit)
28	820832005	Screwdriver
29	809146000	Additional spool pin
30	802424004	Lint brush
31	647808009	Seam ripper (buttonhole opener)
32	822020503	Spool holder (large)
33	822019509	Spool holders (small)
34	862408008	Spool holders (special)
35	860194002	Touch panel stylus
36	803813203	Scissors
37	755802001	Quilting guide bar
38	846652607	Bobbin holder for embroidery
39	859858007	Bobbin holder cleaner
40	862410106	Couching foot PC-1
41	862410117	Couching foot PC-2
42	862410405	Yarn guide bar
43	862410508	Yarn guide
44	862817107	Straight stitch needle plate
45	809136100	Hook cover plate

# PARTS LIST



# PARTS LIST

KEY NO.	PARTS NO.	DESCRIPTION
1	861803602	Embroidery hoop RE20a (whole unit)
2	861803015	Embroidery hoop RE20a (unit)
3	861803303	Template RE20a
4	861804500	Embroidery hoop SQ14a (whole unit)
5	861804038	Embroidery hoop SQ14a (unit)
6	861804304	Template SQ14a
7	861407015	Embroidery hoop FA10a (whole unit)
8	861402010	Embroidery hoop FA10a (unit)
9	859824303	Template FA10a
10	861805305	Magnetic clamps (whole unit)
11	861805006	Magnetic clamps (unit)
12	861826003	Magnetic clamps caution card
13	846417011	Knee lifter
14	858801002	Caution card
15	859825016	Cloth guide
16	862453008	Acutools S CD-ROM
17	850403006	USB cable
18	862815002	Starter kit (unit)
19	850826205	Felt (450x500)
20	850826009	Felt (320x320)
21	850826308	Stabilizer (450x500)
22	850826102	Stabilizer (320x320)
23	200921792	Bobbin thread for embroidery
24	861807008	Embroidery unit case
25	862450005	Quick reference chart (Common) (English)
	862450016	Quick reference chart (Common) (French)
	862450027	Quick reference chart (Common) (German)
	862450038	Quick reference chart (Common) (Dutch)
26	862451006	Quick reference chart (Embroidery mode) (English)
	862451017	Quick reference chart (Embroidery mode) (French)
	862451028	Quick reference chart (Embroidery mode) (German)
	862451039	Quick reference chart (Embroidery mode) (Dutch)
27	862460008	Instruction book (English)
	862460020	Instruction book (French)
	862460031	Instruction book (German)
	862460042	Instruction book (Dutch)
28	862452007	Instructional DVD
29	043170108	Foot control
30	856519004	Power cable (U.S.A.) (Canada)
	830314018	Power cable (Australia)
	830335004	Power cable (Continental Europe)
31	858802058	Semi-hard fabric cover