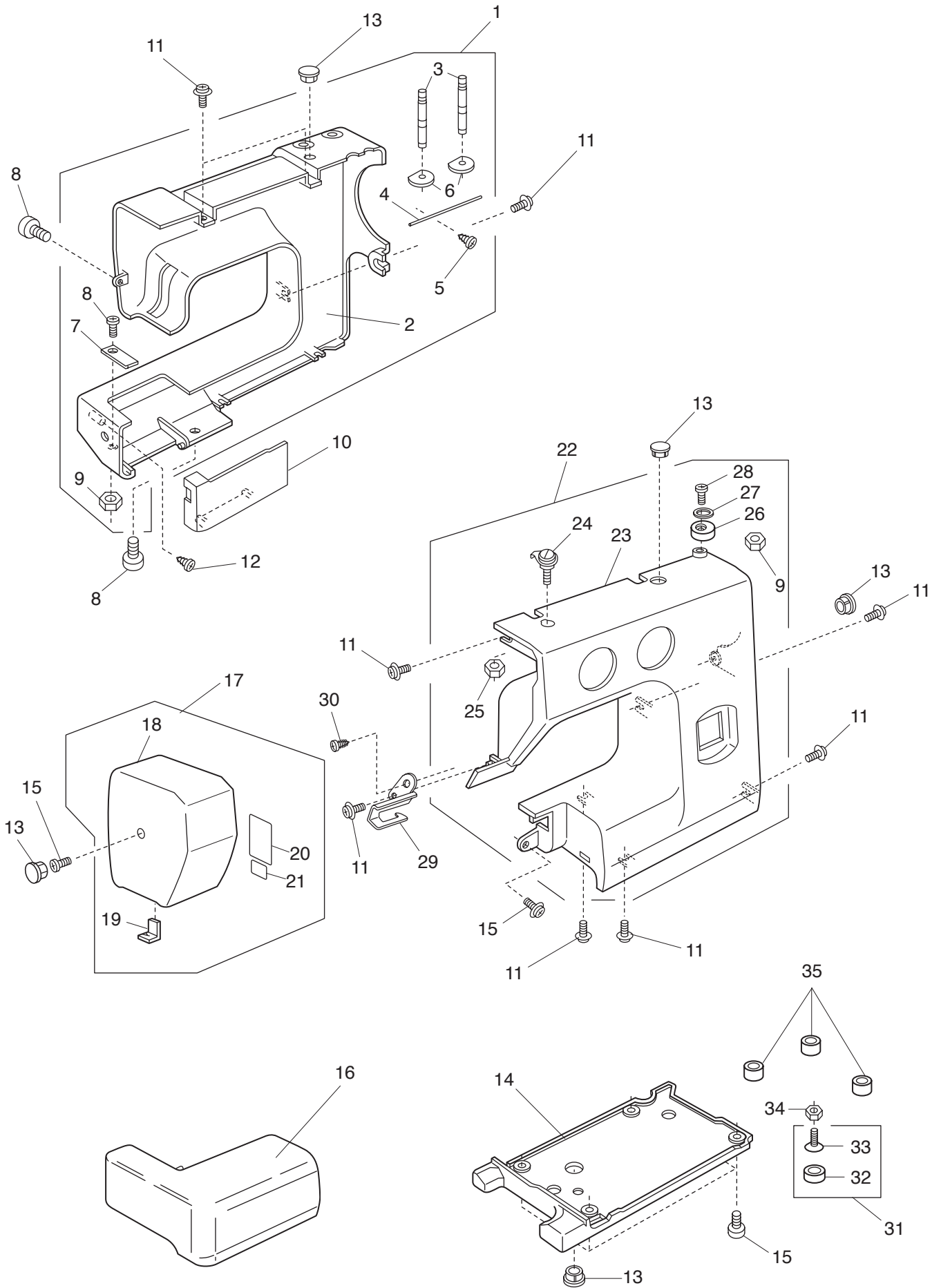


PARTS LIST

MODEL: Sakura95

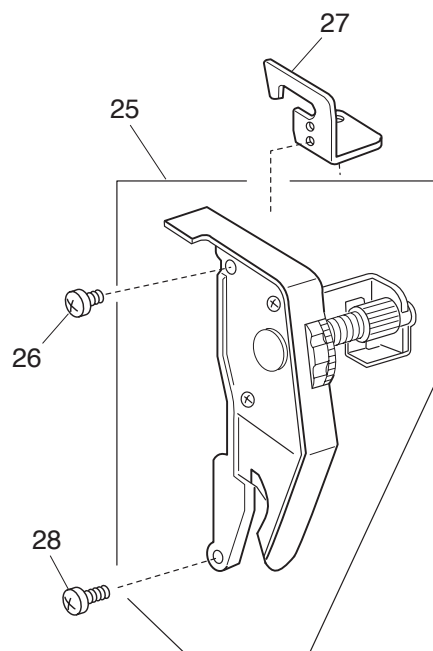
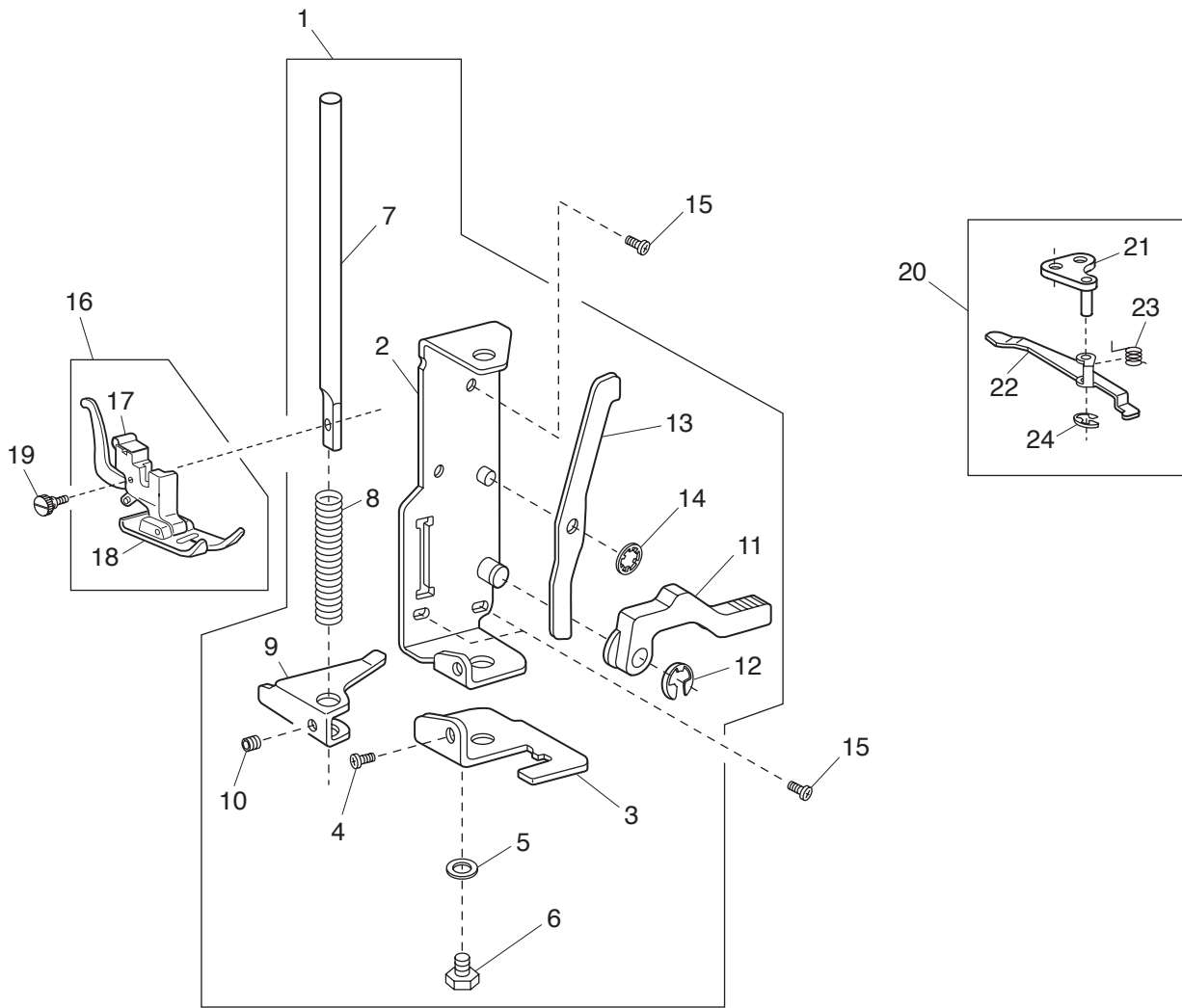
PARTS LIST



PARTS LIST

KEY NO.	PARTS NO.	DESCRIPTION
1	743617468	Rear cover (unit)
2	743003B01	Rear cover
3	652205006	Spool pin
4	736007009	Spool pin spring
5	000161206	Setscrew 3x10 (B)
6	735013005	Spool pin spring base
7	730006000	Spring
8	000101404	Setscrew 4x6
9	000061205	Nut 4-3-7
10	739004005	Bed cover plate
11	000115205	Setscrew TP 4x6
12	000121905	Setscrew 4x12 (B)
13	653006101	Cap
14	739005006	Base plate
15	000081005	Setscrew 4x8
16	743004008	Extension table
17	743602747	Face cover (unit)
18	743005A06	Face cover
19	840602006	Thread cutter (unit)
20	724025006	Reflex sticker (2)
21	739104006	Reflex sticker
22	743663997	Front cover (unit)
23	743016A21	Front cover
24	730501011	Thread guide plate (unit)
25	000160102	Adjustable lock nut 4
26	735016307	Bobbin winder stopper
27	000071013	Washer
28	000103107	Setscrew 4x14
29	740022003	Thread guide plate
30	000107307	Setscrew 3x8 (B)
31	735616200	Rubber base (unit)
32	735002001	Rubber base
33	000097901	Flat screw 5x18
34	000061319	Nut 5-1-8
35	739064003	Bed rubber base

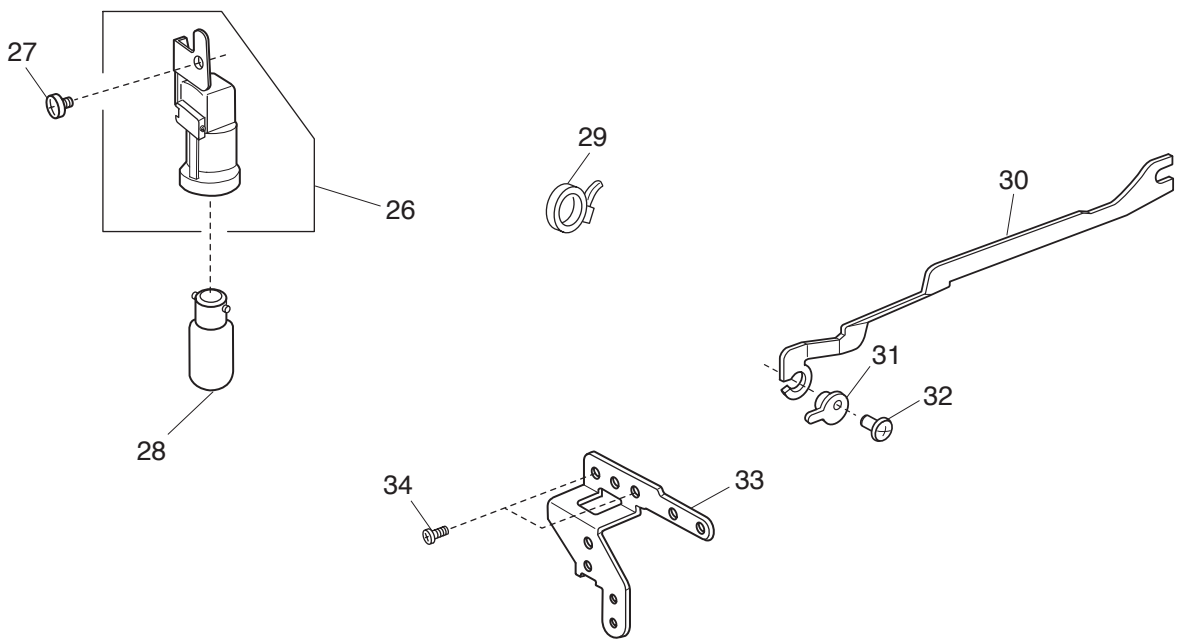
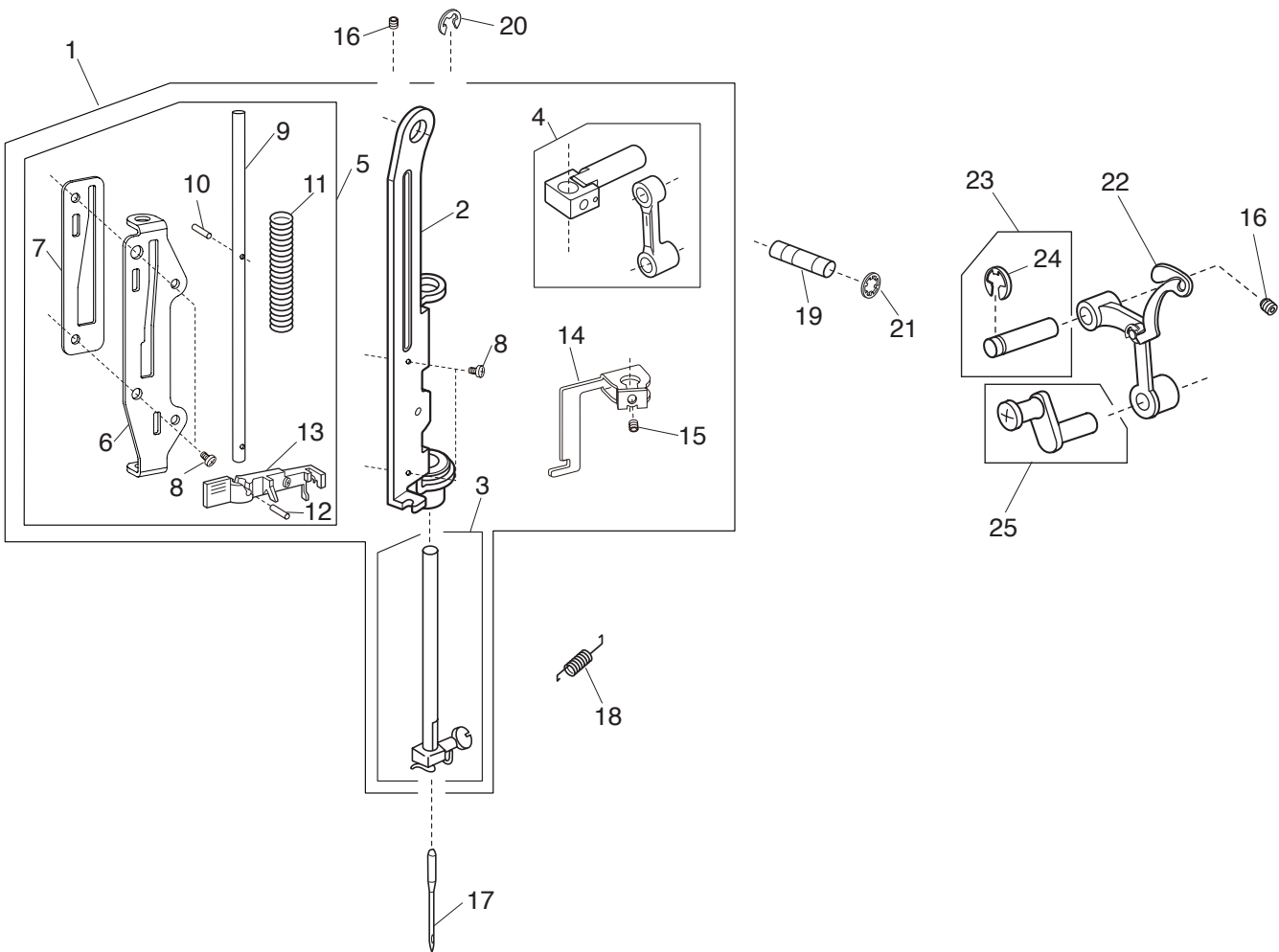
PARTS LIST



PARTS LIST

KEY NO.	PARTS NO.	DESCRIPTION
1	305604200	Presser bar base plate (unit)
2	735221008	Presser bar base plate
3	743212001	Needle drop adjusting plate
4	000101404	Setscrew 4x6
5	000070506	Washer
6	000138307	Bolt 4x8
7	303017101	Presser bar
8	735027002	Presser bar spring
9	735028003	Presser bar bracket
10	000111500	Hexagonal socket screw 4x8
11	735029004	Presser foot lifter
12	000001609	Snap ring E-5
13	735030008	Tension release lever
14	000013903	Snap ring CS-5
15	000081005	Setscrew 4x8
16	301612003	Presser foot (unit)
17	611510000	Presser foot holder (unit)
18	301505002	Zigzag foot (unit)
19	660106001	Thumbscrew
20	739605002	Tension release arm (unit)
21	739017001	Tension release arm base
22	739018002	Tension release arm
23	739019003	Tension release spring
24	000002105	Snap ring E-3
25	306501000	Tension assembly (unit)
26	000103808	Setscrew 3x5
27	739016000	Top cover thread guide
28	000101703	Setscrew 4x12

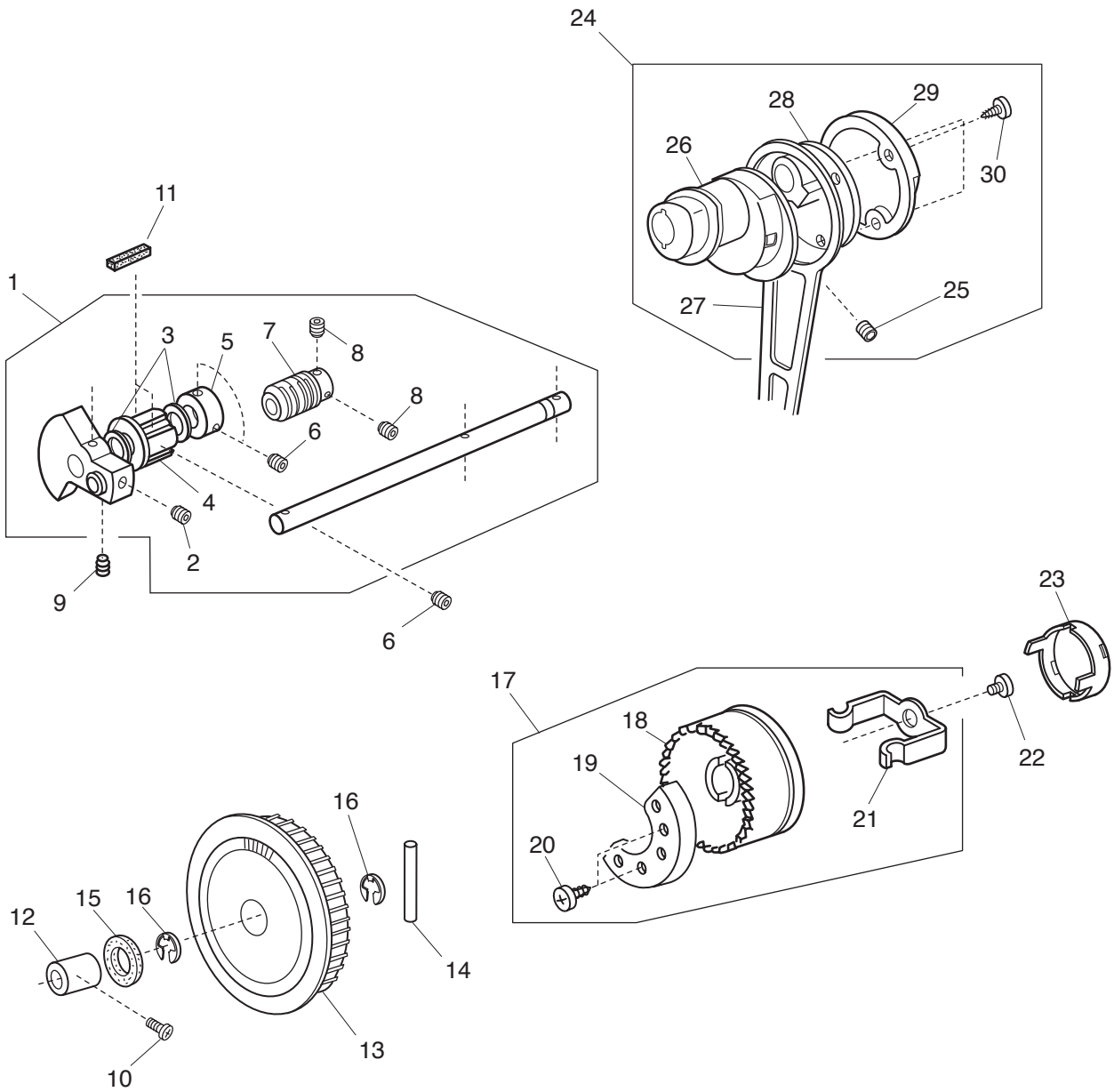
PARTS LIST



PARTS LIST

KEY NO.	PARTS NO.	DESCRIPTION
1	311609101	Needle bar supporter (unit)
2	743213002	Needle bar supporter
3	730503116	Needle bar (unit)
4	680504005	Needle bar connecting stud (unit)
5	311611003	Needle threader guide plate (unit)
6	311027006	Needle threader guide plate
7	311032004	Needle threader shaft plate
8	000101105	Setscrew 3x4
9	301034005	Needle threader shaft
10	000122906	Guide pin E-2x14-CH
11	734094007	Needle threader spring
12	000003508	Spring pin 2x8
13	639643009	Needle threader plate (unit)
14	311028007	Needle threader set plate
15	000111902	Hexagonal socket screw 3x4
16	000111304	Hexagonal socket screw 5x5
17	102408089	Needle
18	743216005	Needle bar supporter spring
19	310013109	Needle bar supporter pin
20	000001609	Snap ring E-5
21	000013800	Snap ring CS-6
22	625506109	Thread take-up lever (unit)
23	731511006	Thread take-up lever pin (unit)
24	000002806	Snap ring E-6
25	735504008	Needle bar crank pin (unit)
26	743634003	Lamp socket (unit)
27	000101404	Setscrew 4x6
28	000009009	Lamp 240V 15W BA15D
29	000053008	Cord tie band
30	735119002	Zigzag rod
31	310041003	Eccentric plate
32	000078319	Setscrew 3x6
33	740007013	Face cover set plate
34	000081005	Setscrew 4x8

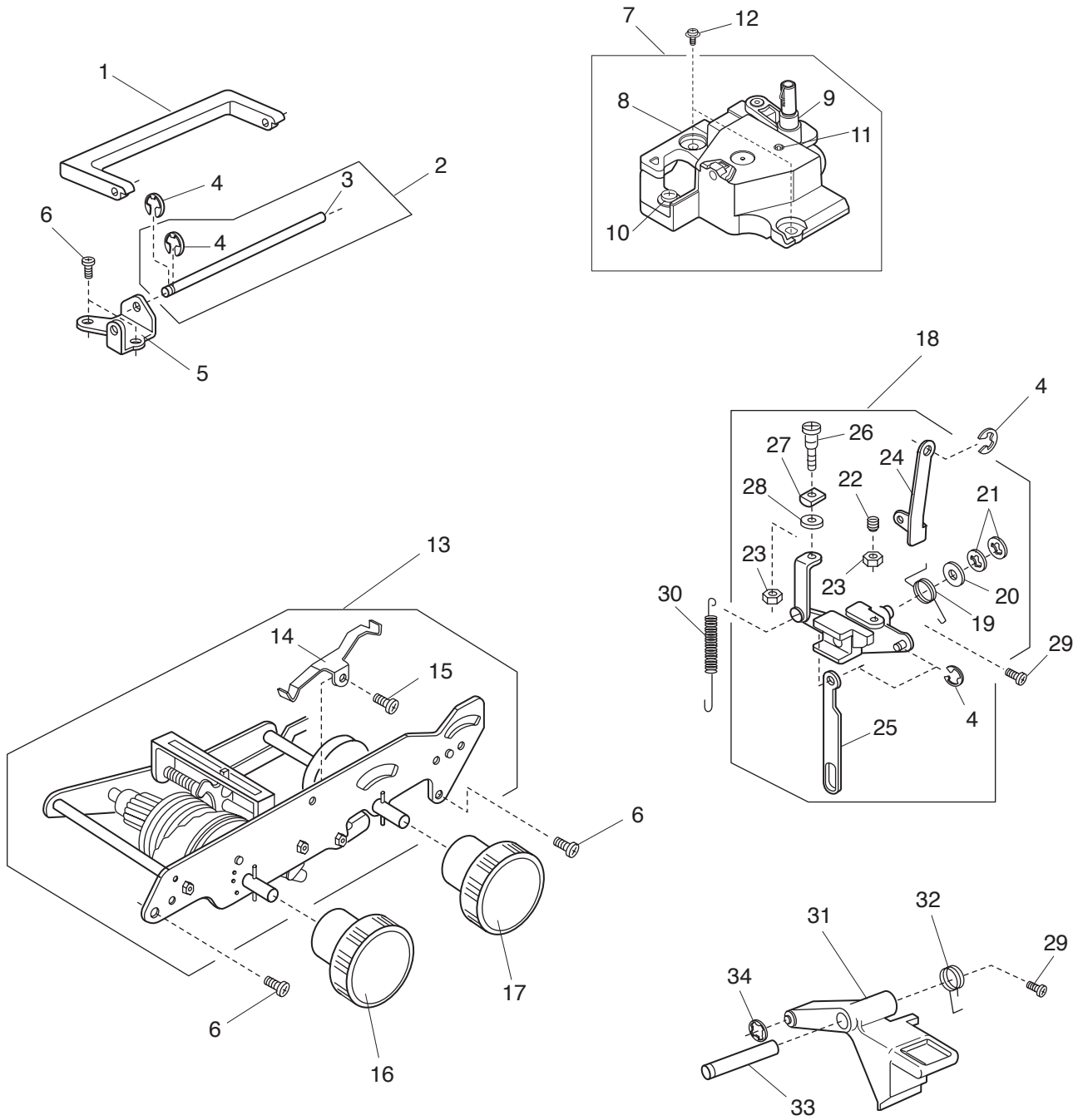
PARTS LIST



PARTS LIST

KEY NO.	PARTS NO.	DESCRIPTION
1	304607406	Upper shaft (unit)
2	102073003	Setscrew
3	000036717	Thrust washer
4	732025001	Upper shaft front bushing
5	639095000	Ring
6	000111304	Hexagonal socket screw 5x5
7	751146101	Worm
8	000111201	Hexagonal socket screw 4x4
9	761052007	Setscrew
10	000172602	Setscrew 5x8
11	731312005	Felt
12	732003003	Upper shaft rear bushing
13	743019006	Belt wheel
14	000023803	Spring pin
15	743029009	Felt
16	000030205	Snap ring E-8
17	743630009	Handwheel (unit)
18	639097024	Handwheel
19	304050006	Balance weight
20	000121400	Setscrew 3x14 (B)
21	639113016	Clutch spring
22	000081005	Setscrew 4x8
23	650070509	Clutch cap
24	304609006	Crank rod (unit)
25	000110107	Hexagonal socket screw 5x5
26	304042005	Feed cam
27	743011008	Crank rod
28	304044007	Crank cam
29	304043006	Crank cam plate
30	000161309	Setscrew 3x12 (B)

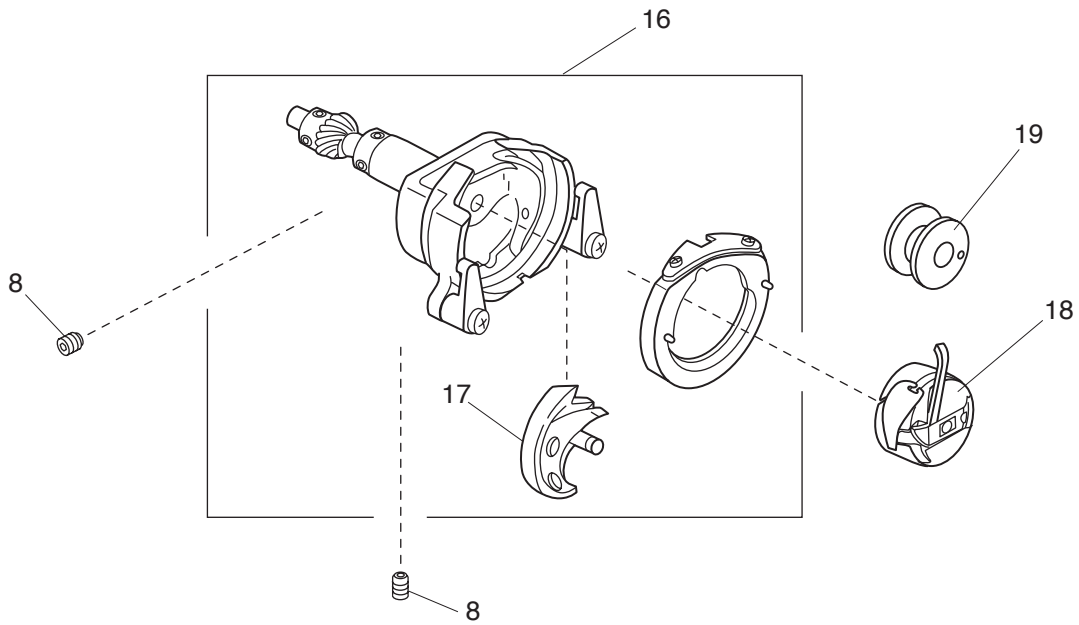
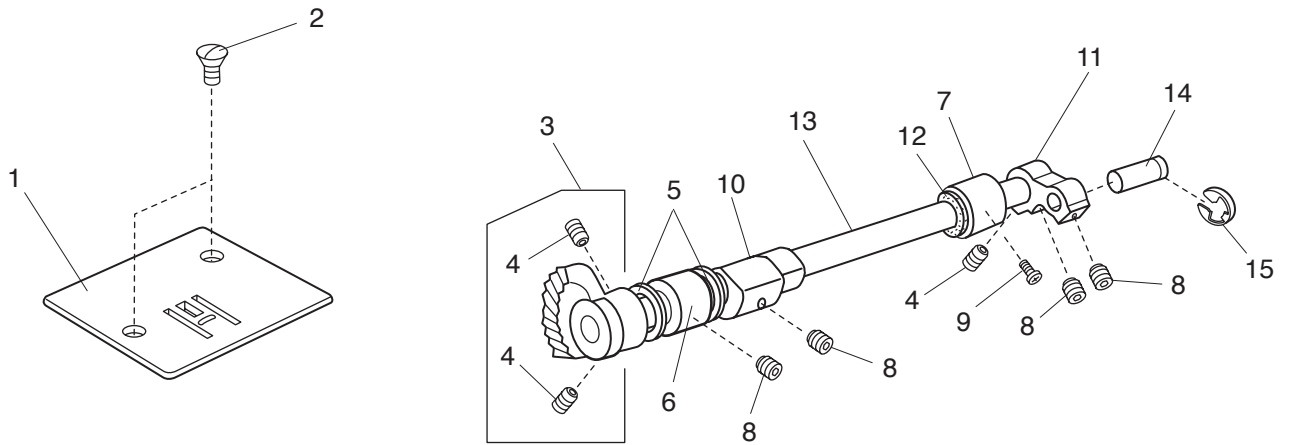
PARTS LIST



PARTS LIST

KEY NO.	PARTS NO.	DESCRIPTION
1	753017308	Handle
2	740624001	Carrying handle set pin (unit)
3	740011009	Handle shaft
4	000002105	Snap ring E-3
5	740010008	Handle supporter
6	000081005	Setscrew 4x8
7	311606005	Bobbin winder supporter (unit)
8	311011007	Bobbin winder base plate
9	311503001	Bobbin winder arm (unit)
10	000109103	Setscrew 4x12
11	740042009	Bobbin winder arm spring
12	000115607	Setscrew TP 4x8
13	740606100	Zigzag mechanism (unit)
14	737011009	Index spring
15	000103808	Setscrew 3x5
16	743243A10	Pattern indicator dial
17	740243A11	Stitch length indicator dial
18	736604105	Feed regulator (unit)
19	735077007	Feed regulating body spring
20	735073003	Plain washer
21	000013800	Snap ring CS-6
22	648010009	Setscrew
23	000160102	Adjustable lock nut 4
24	739020007	Feed regulating rod
25	745052007	Reverse link
26	735074004	SS adjusting screw
27	735076006	SS rod block
28	000071013	Washer 4
29	000172602	Setscrew 5x8
30	670100006	Feed regulator spring
31	743014001	R button
32	739063002	R button spring
33	736015000	R button shaft
34	000014007	Snap ring CS-4

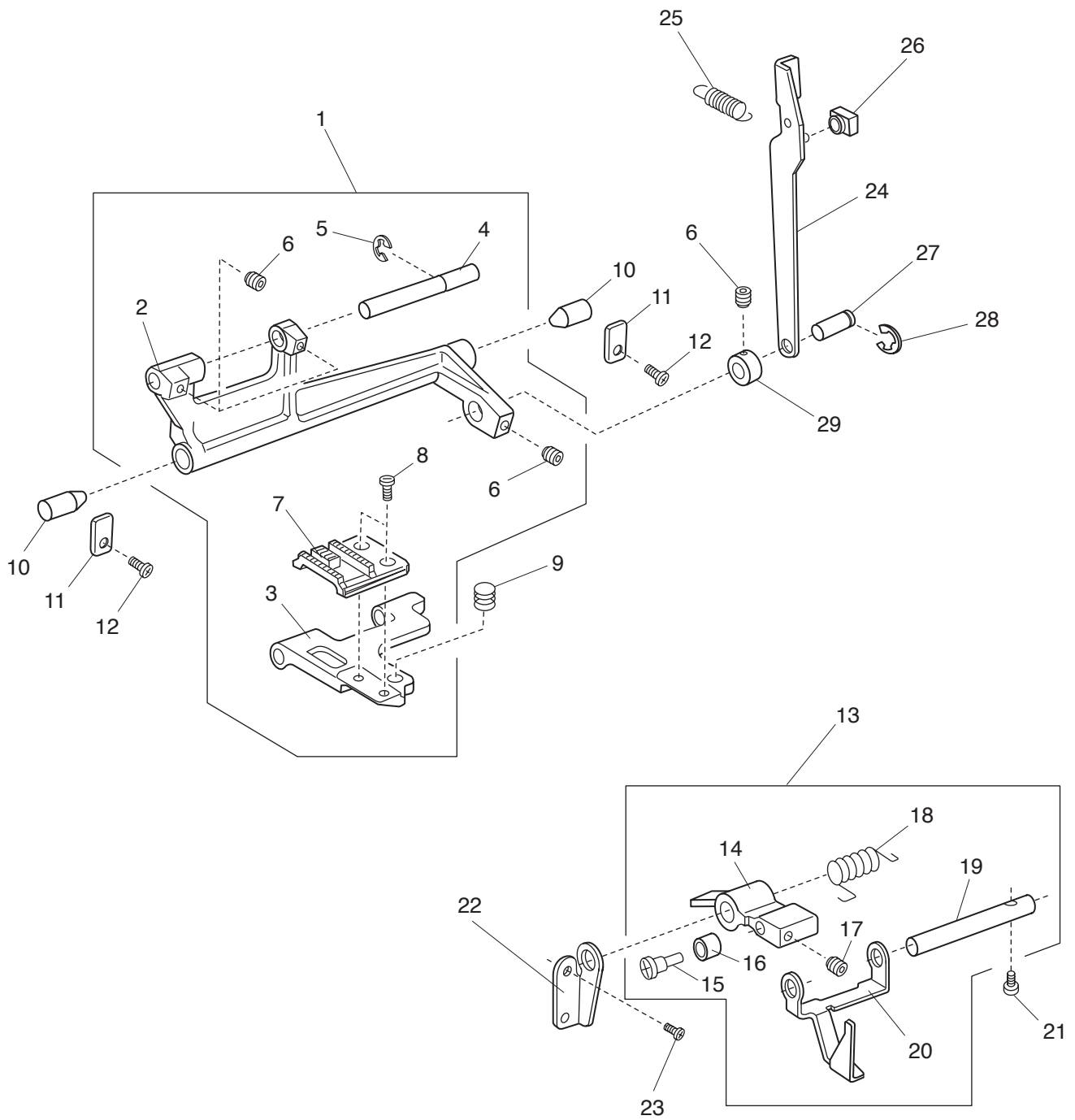
PARTS LIST



PARTS LIST

KEY NO.	PARTS NO.	DESCRIPTION
1	744004001	Needle plate
2	681009101	Setscrew
3	735950003	Lower shaft gear (unit)
4	000110107	Hexagonal socket screw 5x5 (WP)
5	000036201	Washer FT80-0.5
6	735233003	Bushing
7	735234004	Bushing
8	000111304	Hexagonal socket screw 5x5
9	000172602	Setscrew 5x8
10	735061101	Feed lifting cam
11	639036003	Lower shaft crank arm
12	822070003	Felt
13	735236006	Lower shaft
14	639037004	Pin
15	000001609	Snap ring E-5
16	735610101	Shuttle race body (unit)
17	532096007	Shuttle hook
18	647515006	Bobbin case (unit)
19	102261000	Bobbin

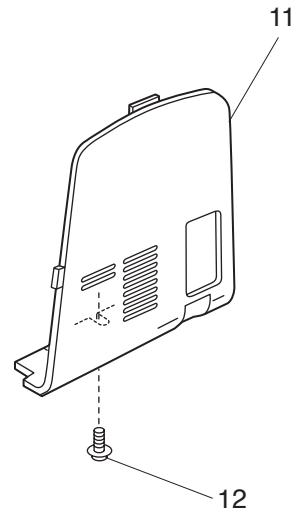
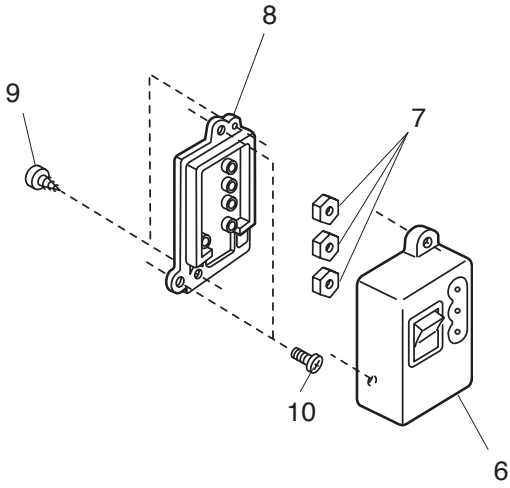
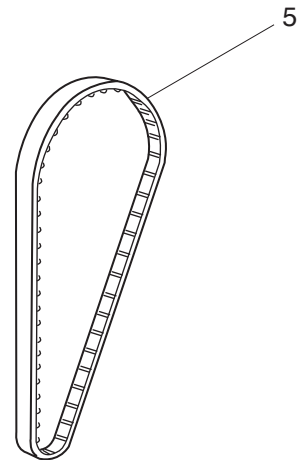
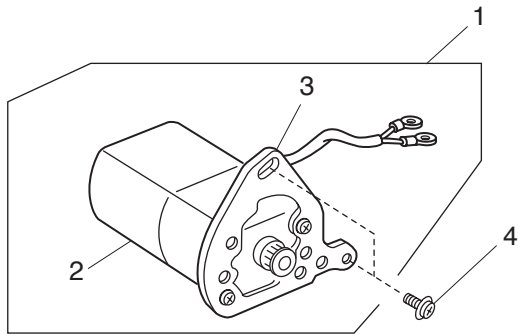
PARTS LIST



PARTS LIST

KEY NO.	PARTS NO.	DESCRIPTION
1	735612000	Feed rock shaft (unit)
2	735078008	Feed rock shaft
3	735079009	Feed bar
4	735080003	Feed bar shaft
5	000002507	Snap ring E-4
6	000111201	Hexagonal socket screw 4x4
7	735081004	Feed dog
8	735082005	Setscrew
9	735083006	Feed bar spring
10	735084007	Feed rock shaft center
11	735085008	Feed rock shaft center plate
12	000101404	Setscrew 4x6
13	301609007	Feed lifting arm (unit)
14	301027005	Feed lifting arm
15	735087000	Feed lifting pin
16	735088001	Feed lifting roller
17	000111201	Hexagonal socket screw 4x4
18	730061003	Feed lifting spring
19	735090006	Feed lifting shaft
20	740013001	Drop feed selecting plate
21	000097200	Setscrew 4x12
22	739022009	Feed lifting shaft holder
23	000081119	Setscrew 4x6
24	743012009	Feed rod
25	743013000	Feed rod spring
26	102141003	Feed regulator slide block
27	735071104	Feed rock shaft connecting pin
28	000002806	Snap ring E-6
29	735276008	Ring

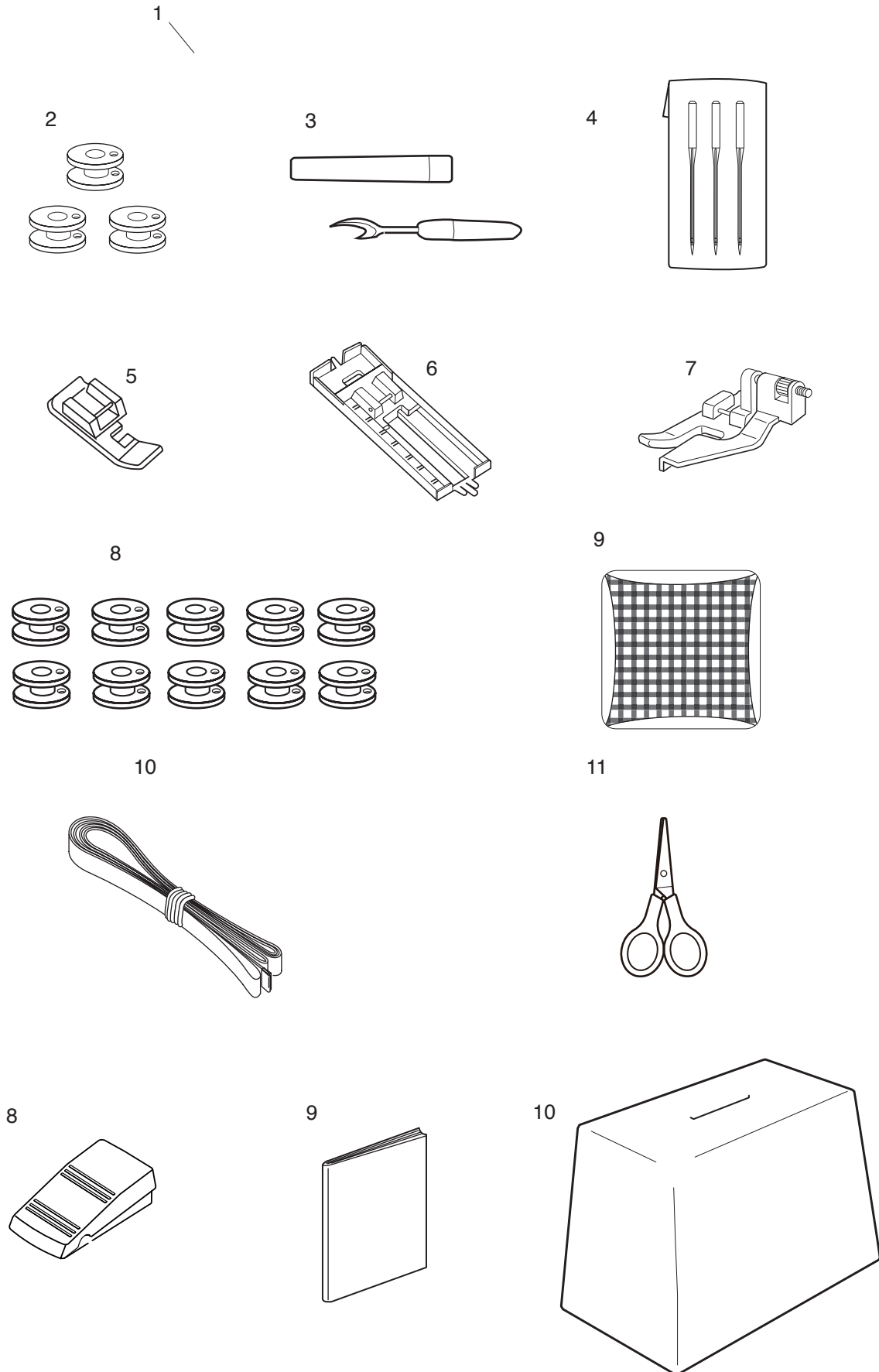
PARTS LIST



PARTS LIST

KEY NO.	PARTS NO.	DESCRIPTION
1	743611303	Motor (unit)
2	024070407	Motor assy
3	743025005	Motor set plate
4	000115504	Setscrew TP 5x10
5	650166008	Motor timing belt
6	739503308	Machine socket (unit)
7	000060802	Nut 3-1-5.5
8	739037007	Machine socket cover
9	000107802	Setscrew 3x10 (B)
10	000103509	Setscrew 4x10
11	743017004	Belt cover
12	000115205	Setscrew TP 4x6

PARTS LIST



PARTS LIST

KEY NO.	PARTS NO.	DESCRIPTION
1	743870494	Accessory set (unit)
2	102261000	Bobbin
3	647808009	Seam ripper
4	639804000	Needle set (unit)
5	611406002	Zipper foot (unit)
6	611413002	Buttonhole foot (unit)
7	611411000	Blind foot (unit)
8	102261000	Bobbin
9	306803008	Needle pad
10	306804009	Tape measure
11	306802007	Scissors
12	043970106	Foot control
13	743803245	Instruction book (Polish)
14	743812100	Cover