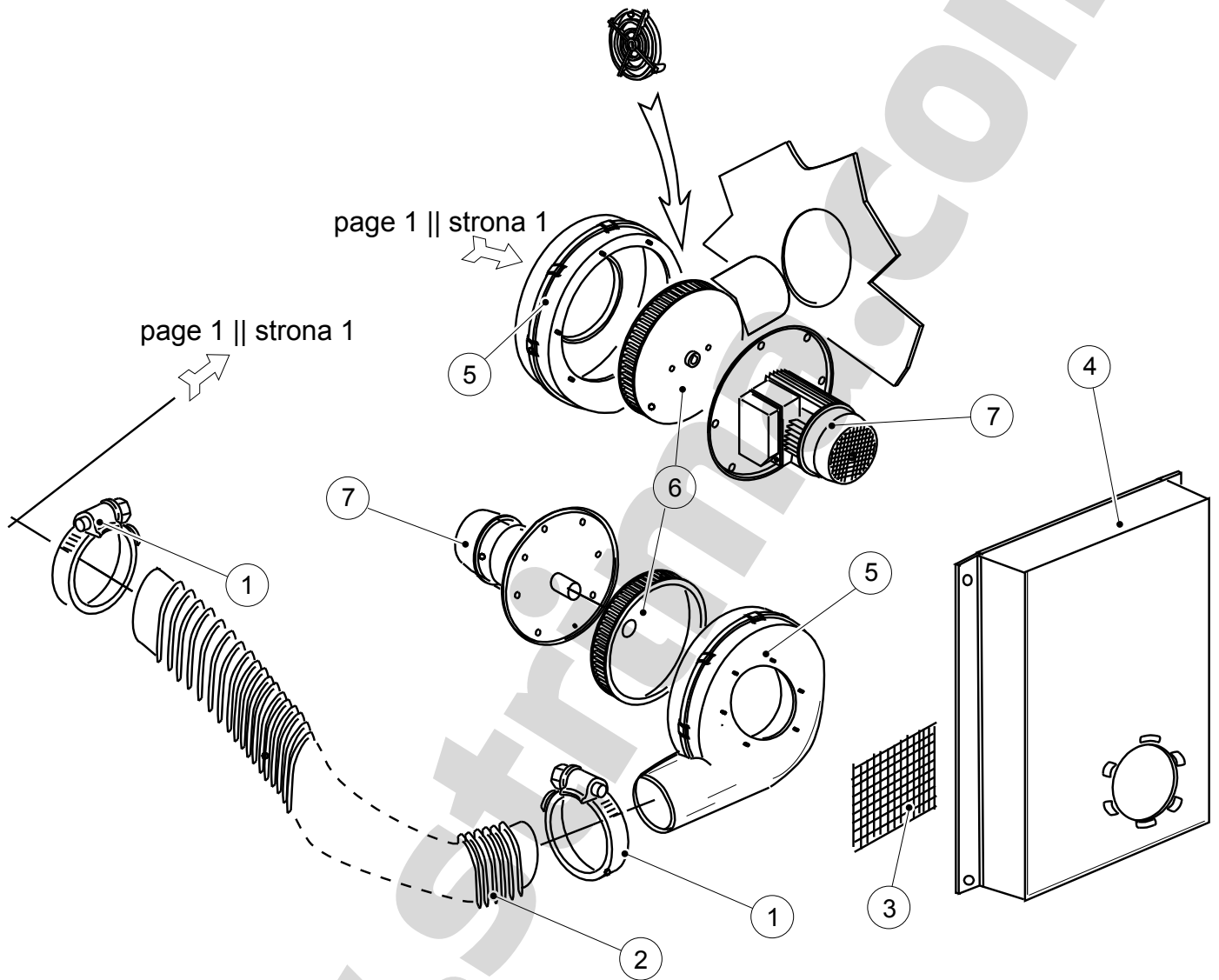


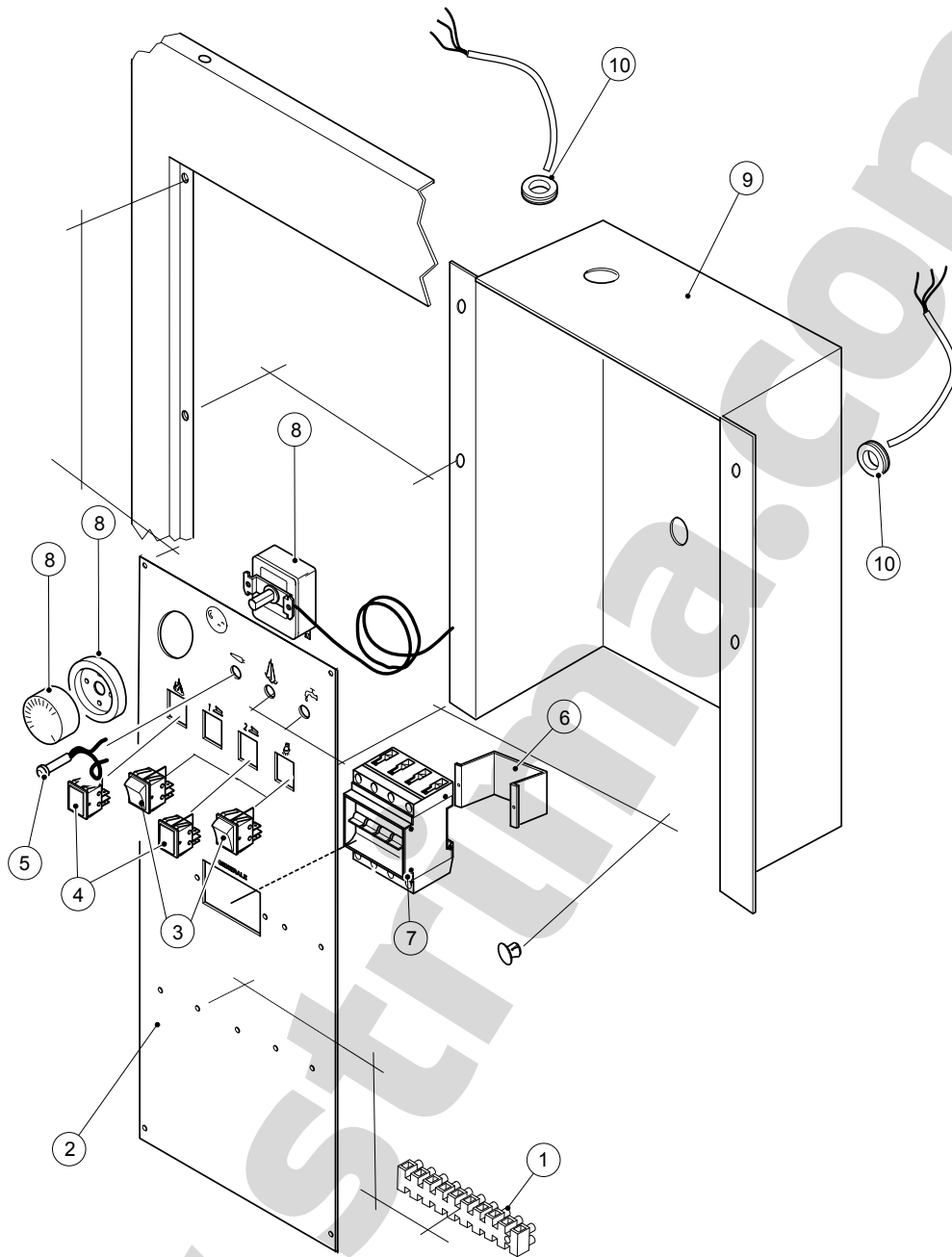
# Andromeda VS



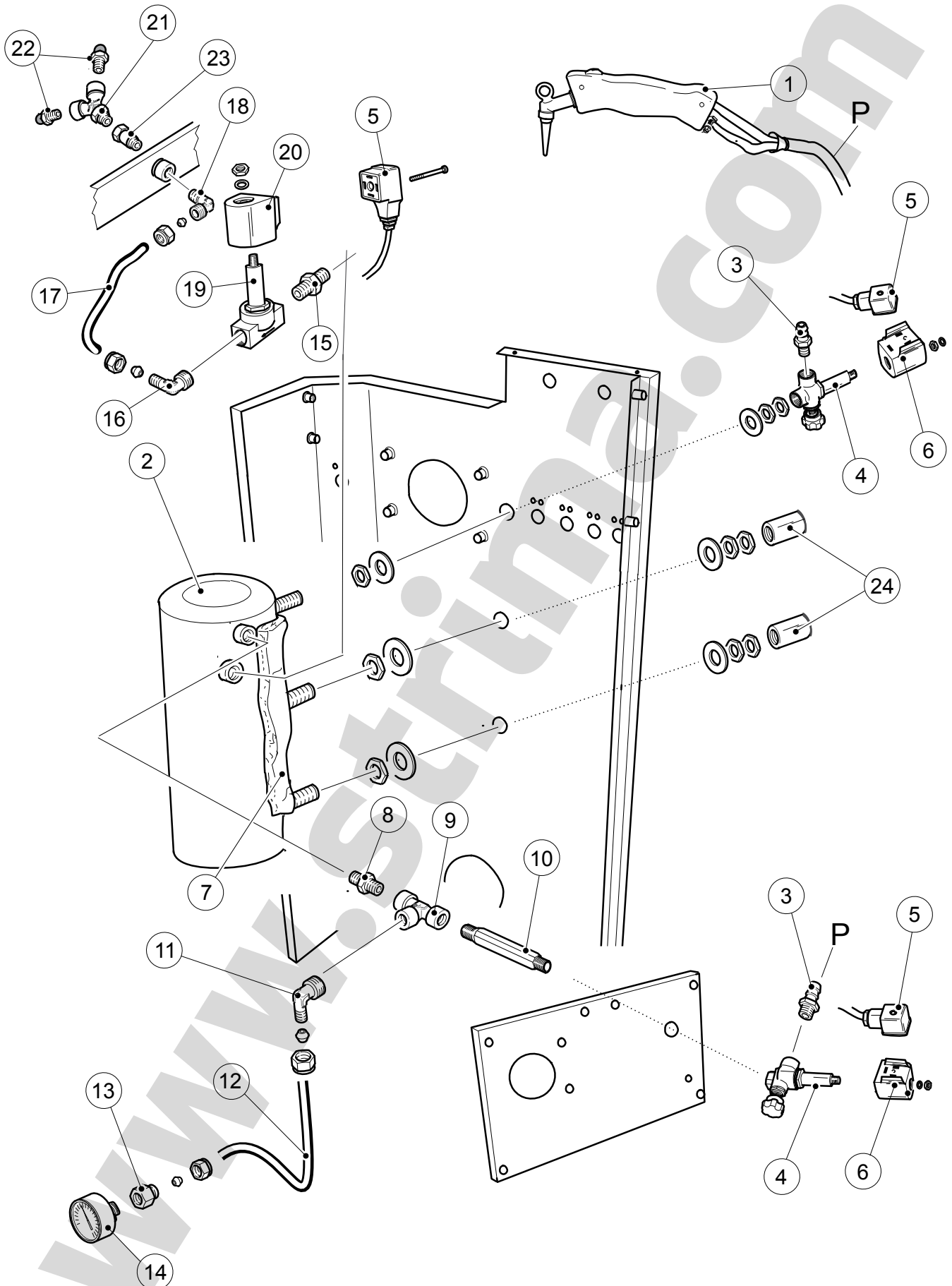
POS.	Q.TY	CODE	DESCRIPTION
1	1		Frame
2	6		Pedals
3	1		Linen support
4	2		Rubber stoppers
5	6		Micro switch for pedal
6	1		Rubber ring for wire
7	1		Electric cable
8	2		Coverplates for arms
9	4		Coverplates
10	1	20825	Iron socket
11	1		Arm socket
12	2		Coverplates for arms
13	1		Stainless steel iron support
14	1		Cable support
15	1		Lever for board closure paddle
16	1		Paddle for board closure
17	1		Swing door for blowing flow
18	1		Linen-support cloth
19	1		Punched base
20	2		Resistances W 550 for the board
21	4		Clamps for resistances
22	1	BATTISTELLA COVER ANDROMEDA	Board prontotop padding



POS.	Q.TY	CODE	DESCRIPTION
1	2		Clip for tube tightening
2	1		Pipe for blowing flow
3	1		Net
4	1		Panel
5	2		Fan covers
6	2		Motor fans
7	2		Aspirators 0,5 hp.



POS.	Q.TY	CODE	DESCRIPTION
1	1		Terminal board
2	1		Front switch board
3	2		Luminous switches 16 A
4	2		Coverplates for luminous switches
5	1		Pilot lamp
6	1		Main switch support
7	1		Main switch
8	1		Thermostat 120° for board
9	1		Rear panel for switchboard
10	2		Rubber rings for wire



# Andromeda VS

POS.	Q.TY	CODE	DESCRIPTION
1	1		Steam pistol
2	1		Steam separator
3	2		Hose holder 1/4"
4	2		Valve groups
5	2		Connectors
6	2		Coils
7	1		Cover
8	1		Connectoion joint 1/4"
9	1		T- joint 1/4"
10	1		Connection joint 1/4"
11	1		Curved joint 1/4"
12	1		Copper tube for manometer
13	1		Joint 1/4"
14	1		Manometer
15	1		Connectoion joint 3/8"
16	1		Curved joint 3/8"
17	1		Copper tube Ø 8
18	1		Curved joint 1/4"
19	1		Valve group 3/8"
20	1		Coil for valve 3/8"
21	1		Y joint 1/8"
22	1		Steam nozzles 1/8"
23	1		Connection joint 1/8"
24	2		Hose-coupling 3/8"