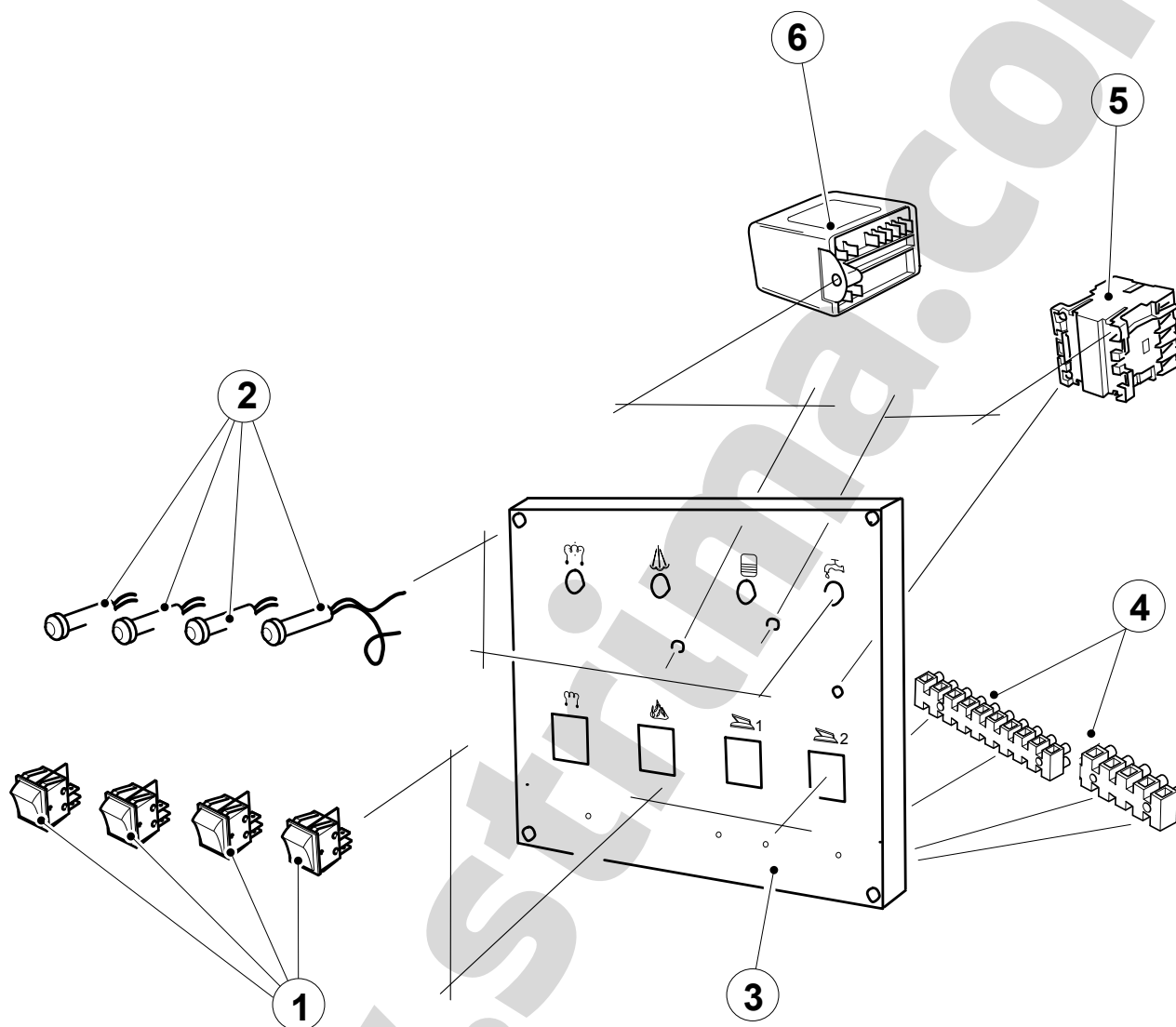
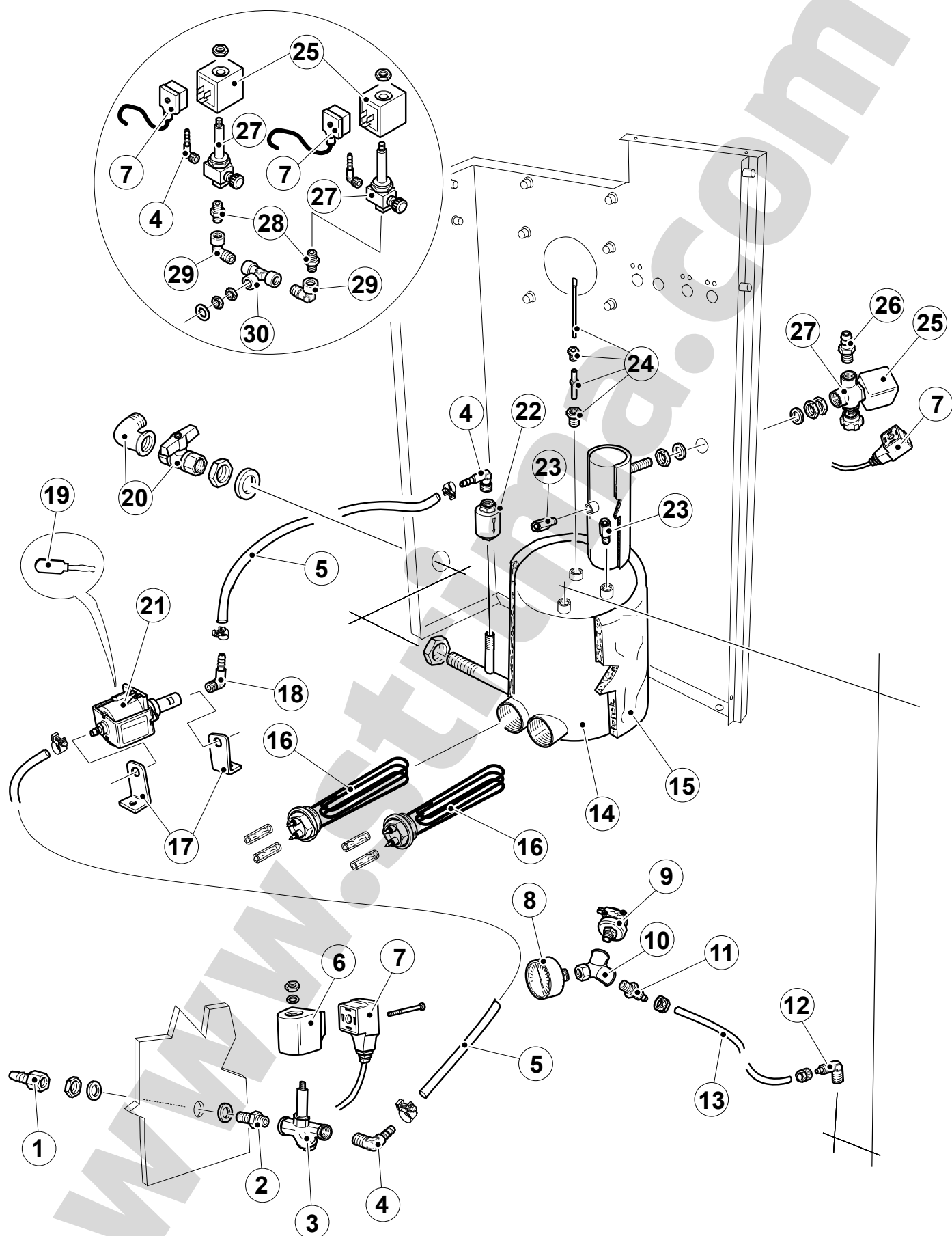


Era 2

| POS. | Q.TY | CODE | DESCRIPTION |
|------|------|-------|-------------------------|
| 1 | 1 | | Frame / Metal sheet |
| 2 | 1 | | Pedal |
| 3 | 1 | 21009 | Micro-switch for pedal |
| 4 | 4 | | Rubber stoppers |
| 5 | 1 | | Electric cable |
| 6 | 3 | | Coverplates |
| 7 | 2 | 20825 | Iron "Mazzeri" sockets |
| 8 | 1 | 20179 | Board thermostat 90° C |
| 9 | 1 | | Rubber ring for wire |
| 10 | 1 | | Arm "Mazzeri" socket |
| 11 | 1 | | Coverplate for arm |
| 12 | 1 | | Coverplate |
| 13 | 1 | 21000 | Aspirator 220 V. |
| 14 | 1 | 21000 | Fan cover |
| 15 | 1 | 21000 | Motor fan |
| 16 | 1 | | Linen-support cloth |
| 17 | 1 | | Board prontotop padding |
| 18 | 1 | | Coverplate for arm |
| 19 | 1 | 21022 | Board resistance W 800 |
| 20 | 2 | | Clamps for resistances |



| POS. | Q.TY | CODE | DESCRIPTION |
|------|------|-------|---|
| 1 | 4 | | Luminous switches 16 A |
| 2 | 4 | | Pilot lamps |
| 3 | 1 | | Switchboard panel |
| 4 | 2 | | Terminal board |
| 5 | 1 | | Contactor 16 A |
| 6 | 1 | 21026 | Electronic card for level control GICAR |



| POS. | Q.TY | CODE | DESCRIPTION |
|------|------|-------|--------------------------------|
| 1 | 1 | | Hose holder 1/4" |
| 2 | 1 | | Long connection joint 1/4" |
| 3 | 1 | | Feedwater valve group |
| 4 | 1 | | Hose holder 1/4" |
| 5 | 2 | | Silicone link pipes |
| 6 | 1 | | Feedwater coil |
| 7 | 2 | | Connectors for solenoid valves |
| 8 | 1 | | Manometer 1/8" |
| 9 | 1 | | Pressure switch 1/8" |
| 10 | 1 | | Y-joint 1/8" |
| 11 | 1 | | Joint 1/8" Ø6 |
| 12 | 1 | | Curved joint 1/8" Ø6 |
| 13 | 1 | | Teflon pipe Ø6 |
| 14 | 1 | | Boiler |
| 15 | 1 | | Boiler cover/coating |
| 16 | 2 | 21017 | Resistances 2000 W |
| 17 | 2 | | Electro-pump supports |
| 18 | 1 | | Curved hose holder 1/8" |
| 19 | 1 | 21048 | Thermostat for pump |
| 20 | 1 | | Exhaust tap 1/2" |
| 21 | 1 | 21013 | Electro-pump ULKA EX7 |
| 22 | 1 | | Check valve 1/4" |
| 23 | 2 | | Safety valves 1/8"- 5 Bar |
| 24 | 1 | 21027 | Probe |
| 25 | 1 | | Coil |
| 26 | 1 | | Hose holder 1/4" |
| 27 | 1 | | Valve group |
| 28 | 2 | | Connection joints 1/4" |
| 29 | 2 | | Curved joints 1/4" |
| 30 | 1 | | T-joint 1/4" |