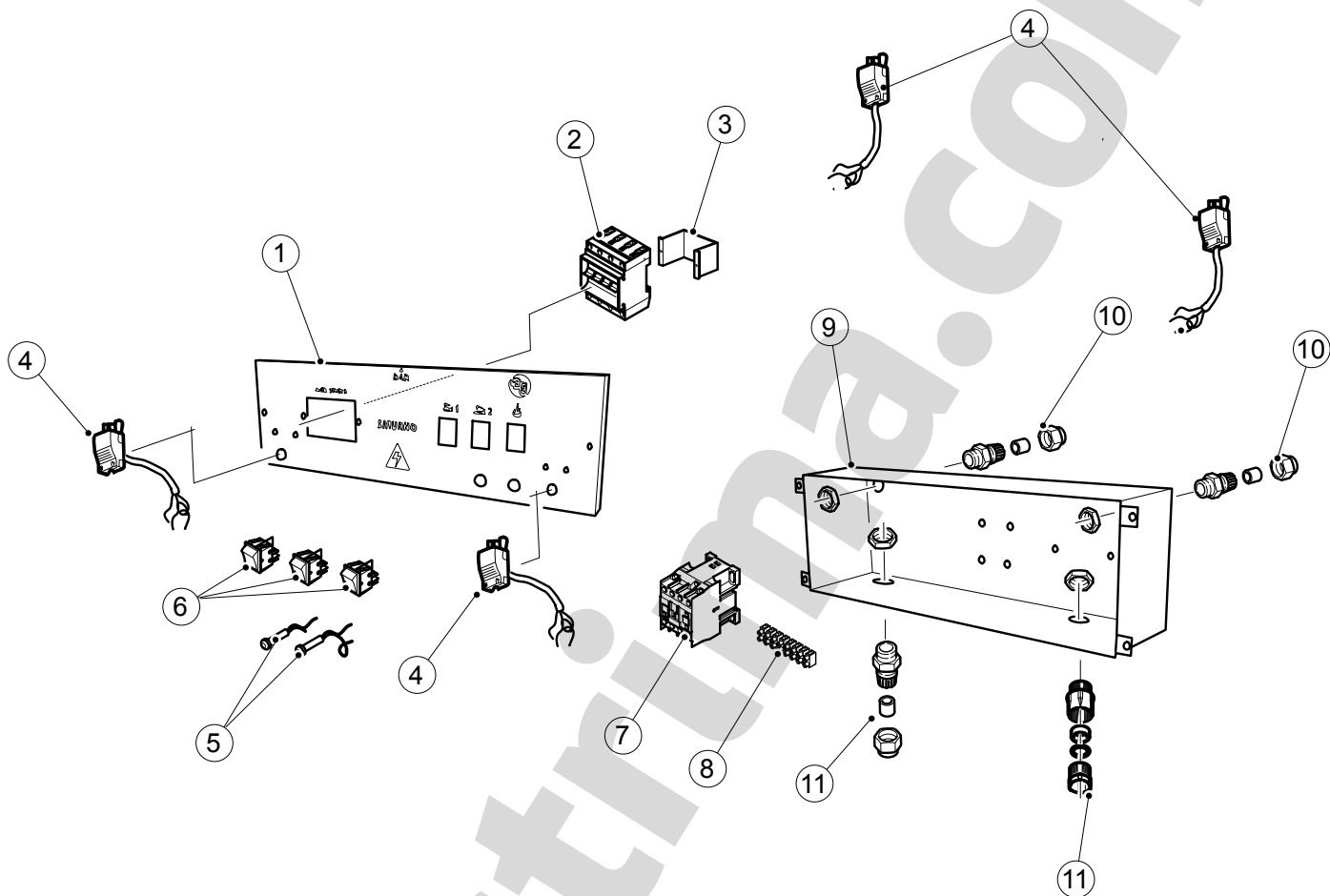
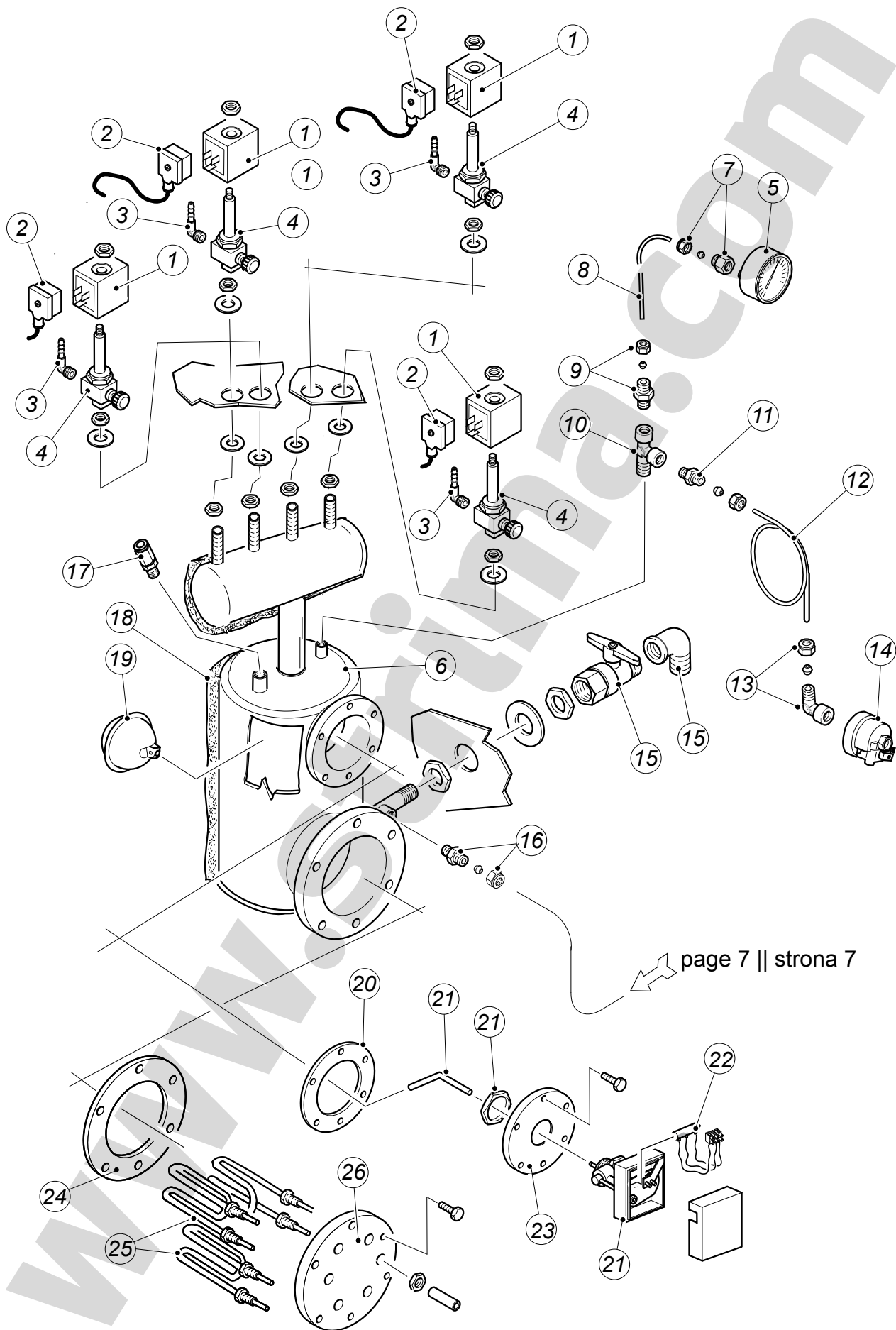
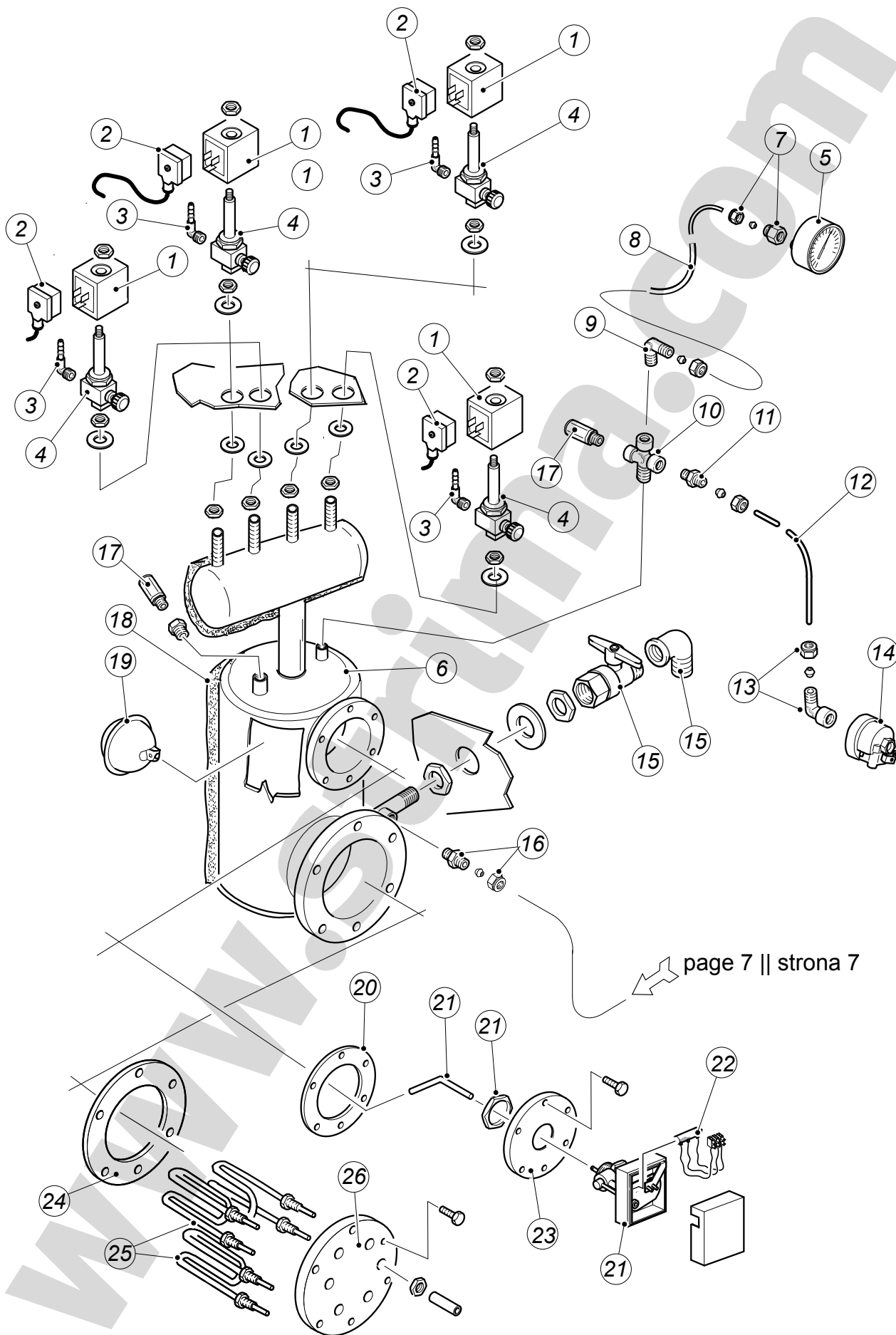


POS.	Q.TY	CODE	DESCRIPTION
1	1		Frame
2	4		Wheels
3	8		Spacers
4	1		Electric cable



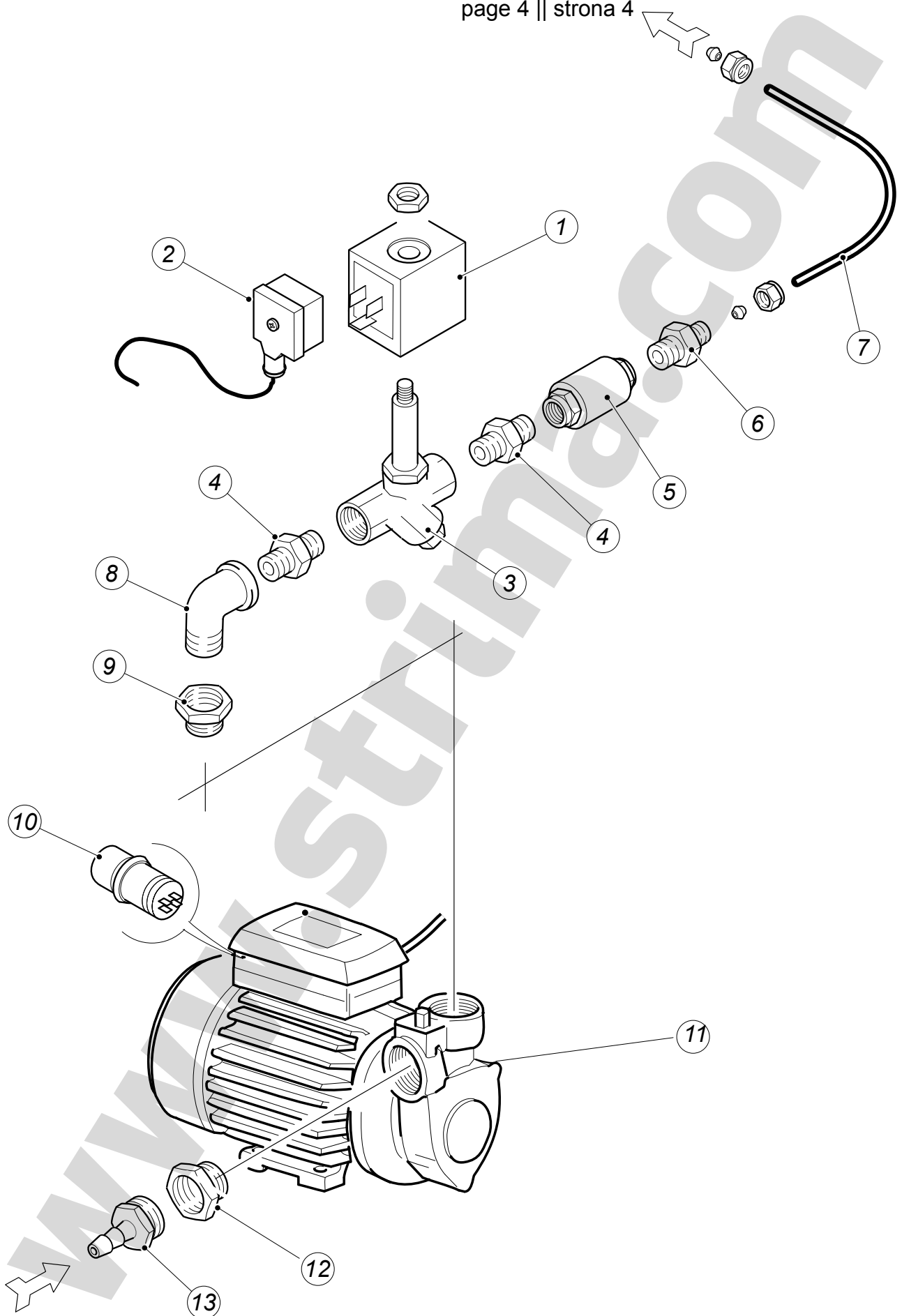
POS.	Q.TY	CODE	DESCRIPTION
1	1		Front switch board
2	1		Main switch
3	1		Main switch support
4	4	20825	Socket MAZZERI for iron
5	2		Green pilot lamps
6	3		Switches
7	1	21091	Boiler switch 16 A
8	1		Terminal board
9	1		Switch board frame
10	2		Rubber rings for wire
11	2		Rubber rings for wire





page 7 || strona 7

POS.	Q.TY	CODE	DESCRIPTION
1	4		Coils
2	4		Connectors
3	4		Joints 1/4"
4	4		Valve groups
5	1	20169	Manometer
6	1		Boiler
7	1		Joint 1/4"
8	1		Copper tube for manometer
9	1		Joint 1/4"
10	1		+ joint 1/4"
11	1		Joint 1/4"
12	1		Copper tube for manometer
13	1		L-joint 1/4"
14	1	21070	Pressure switch
15	1		Exhaust tap 1/2"
16	1		Joint 1/2"
17	2	21032	Safety valve 1/4"
18	1		Boiler cover
19	1		Sphere for level regulator
20	1		Gasket for flange of level regulator
21	1		Level regulator
22	1		Phial for level regulator
23	1		Flange for level regulator
24	1	21005	Gasket for flange resistances
25	3	21024	Resistances
26	1		Flange for resistances



Saturno 4F

POS.	Q.TY	CODE	DESCRIPTION
1	1	21008	Valve coil for water inlet
2	1		Connector
3	1	21008	Valve group 3/8" with filter
4	2		Connection joints 3/8"
5	1		Check valve 3/8"
6	1		Joint 3/8"
7	1		Copper tube for pump
8	1		Elbow joint 3/8"
9	1		Reduction joint 1"-3/8"
10	1		Condenser
11	1	21072	Electro-pump PQM-70
12	1		Reduction joint 1"-1/2"
13	1		Hose holder 1/2"