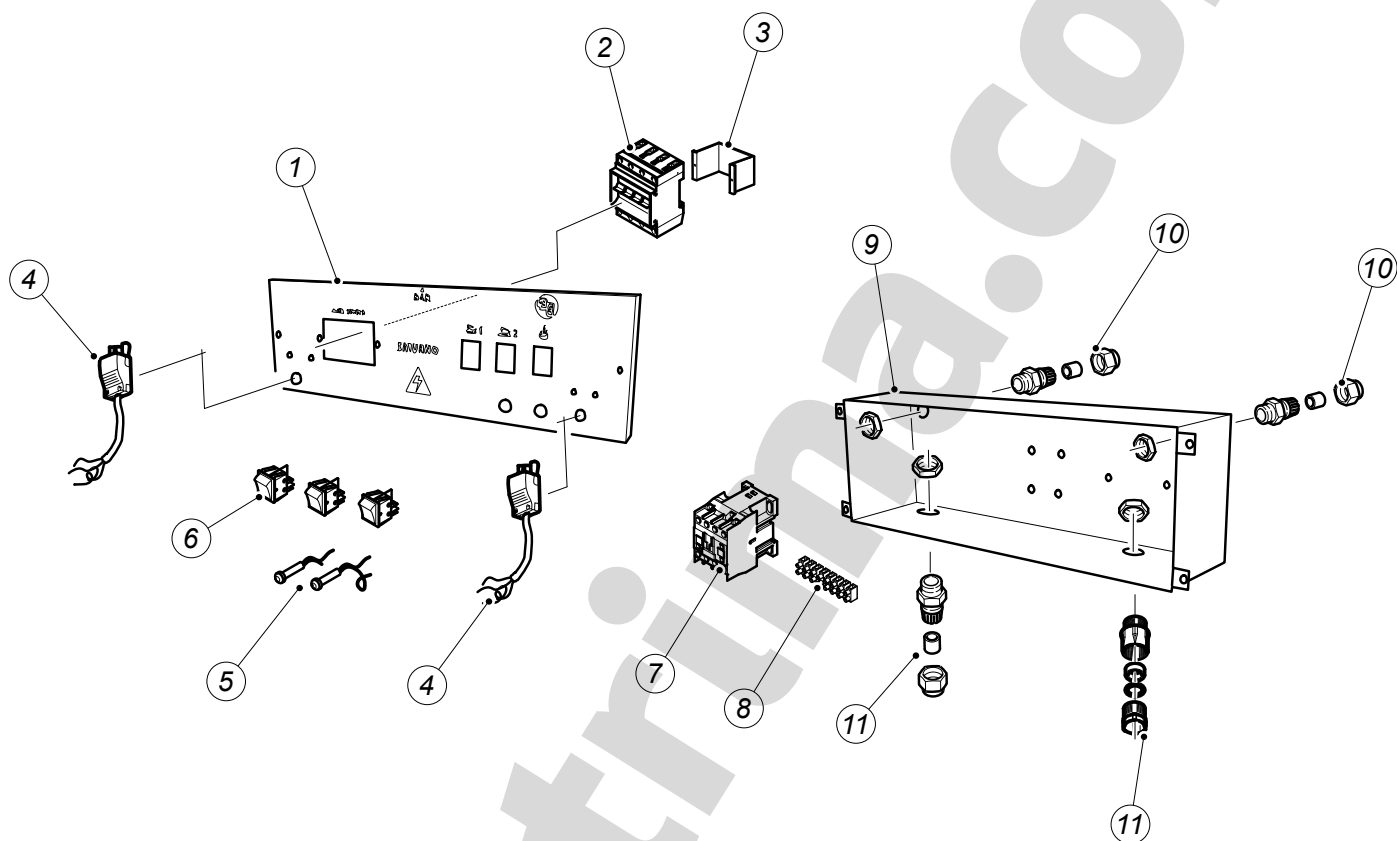
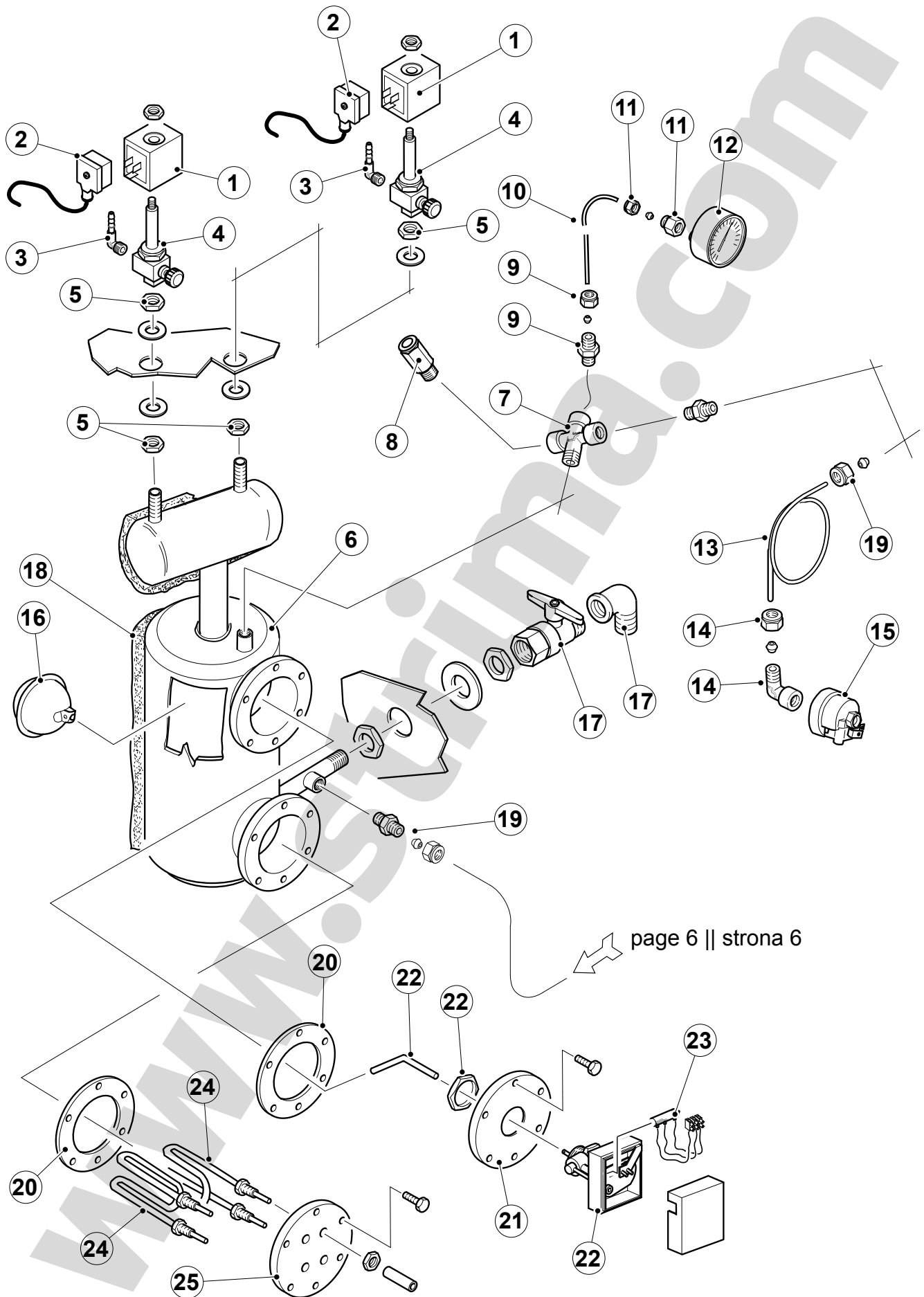


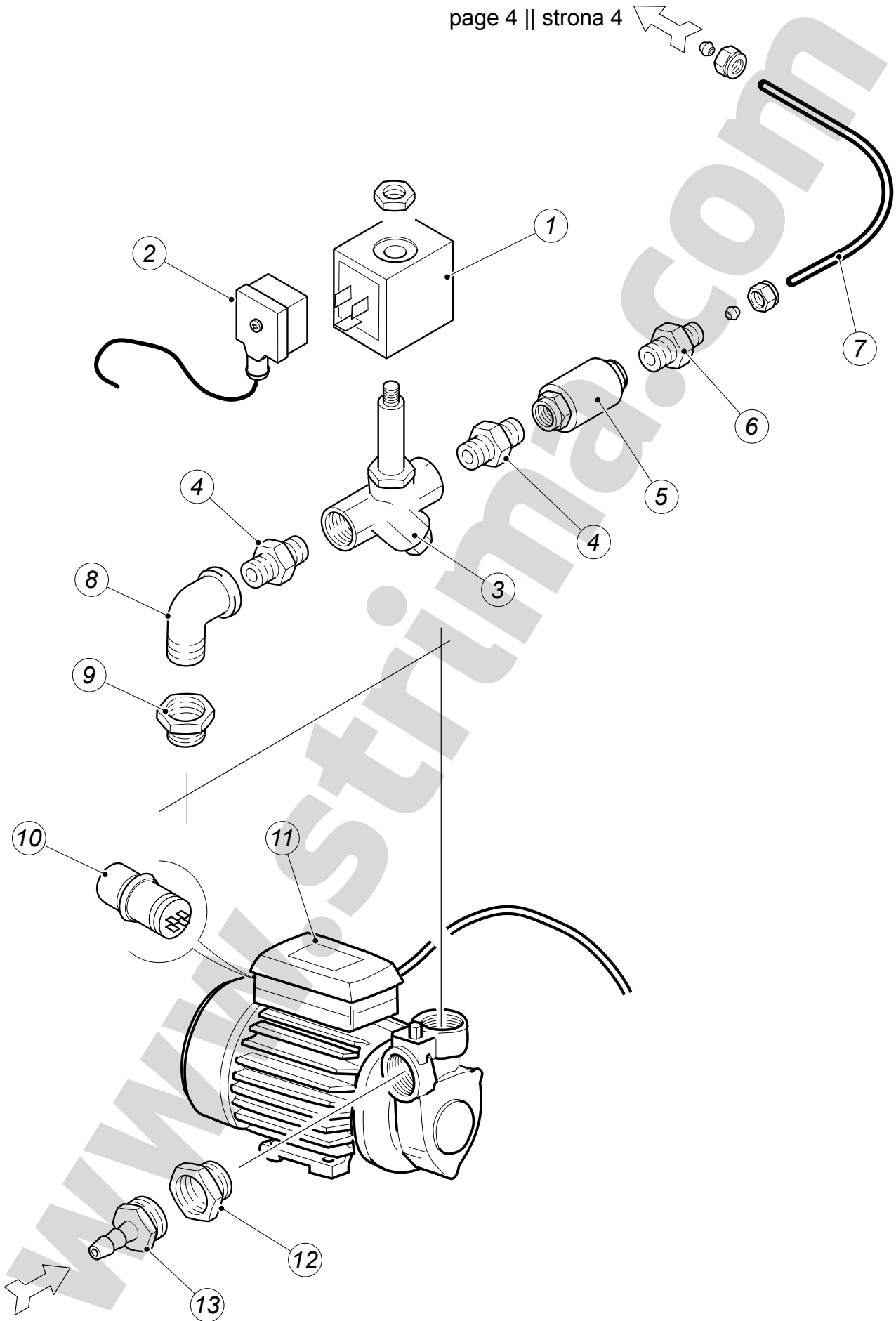
POS.	Q.TY	CODE	DESCRIPTION
1	1		Frame/Metal sheet
2	4		Wheels
3	4		Spacers
4	1		Electric cable



POS.	Q.TY	CODE	DESCRIPTION
1	1		Front switch board
2	1		Main switch
3	1		Main switch support
4	2	20825	Mazzeri iron socket
5	2		Green pilot lamps
6	3		Switches
7	1		Boiler switch 16 A
8	1		Terminal board
9	1		Switch board
10	2		Rubber rings for wire
11	2		Rubber rings for wire



POS.	Q.TY	CODE	DESCRIPTION
1	2		Coils
2	2		Connectors
3	2		Joints 1/4"
4	2		Valve groups
5	4		Nuts 1/4"
6	1		Boiler
7	1		T-joint 1/4"
8	1	21032	Safety valve 1/4"
9	1		Joint 1/4"
10	1		Copper tube for manometer
11	1		Joint 1/4"
12	1	20169	Manometer
13	1		Copper tube for pressure switch
14	1		Copper joint
15	1	21039	Pressure switch
16	1		Sphere for level control
17	1		Exhaust tap
18	1	21903	Boiler cover
19	2		Joint 3/8"
20	2	20908	Flange gaskets
21	1		Flange for level regulator
22	1		Level control
23	1		Phial for level control
24	2	21023	Resistances
25	1		Flange for resistance



POS.	Q.TY	CODE	DESCRIPTION
1	1	21008	Valve coil for water inlet
2	1		Connector
3	1	21008	Valve group 3/8" with filter
4	2		Connection joints 3/8"
5	1		Check valve 3/8"
6	1		Joint 3/8"
7	1		Copper tube for pump
8	1	NUMBER	Elbow joint 3/8"
9	1		Reduction joint 1"-3/8"
10	1		Condenser
11	1	21002	Electro-pump PQM-60
12	1		Reduction joint 1"-1/2"
13	1		Hose holder 1/2"