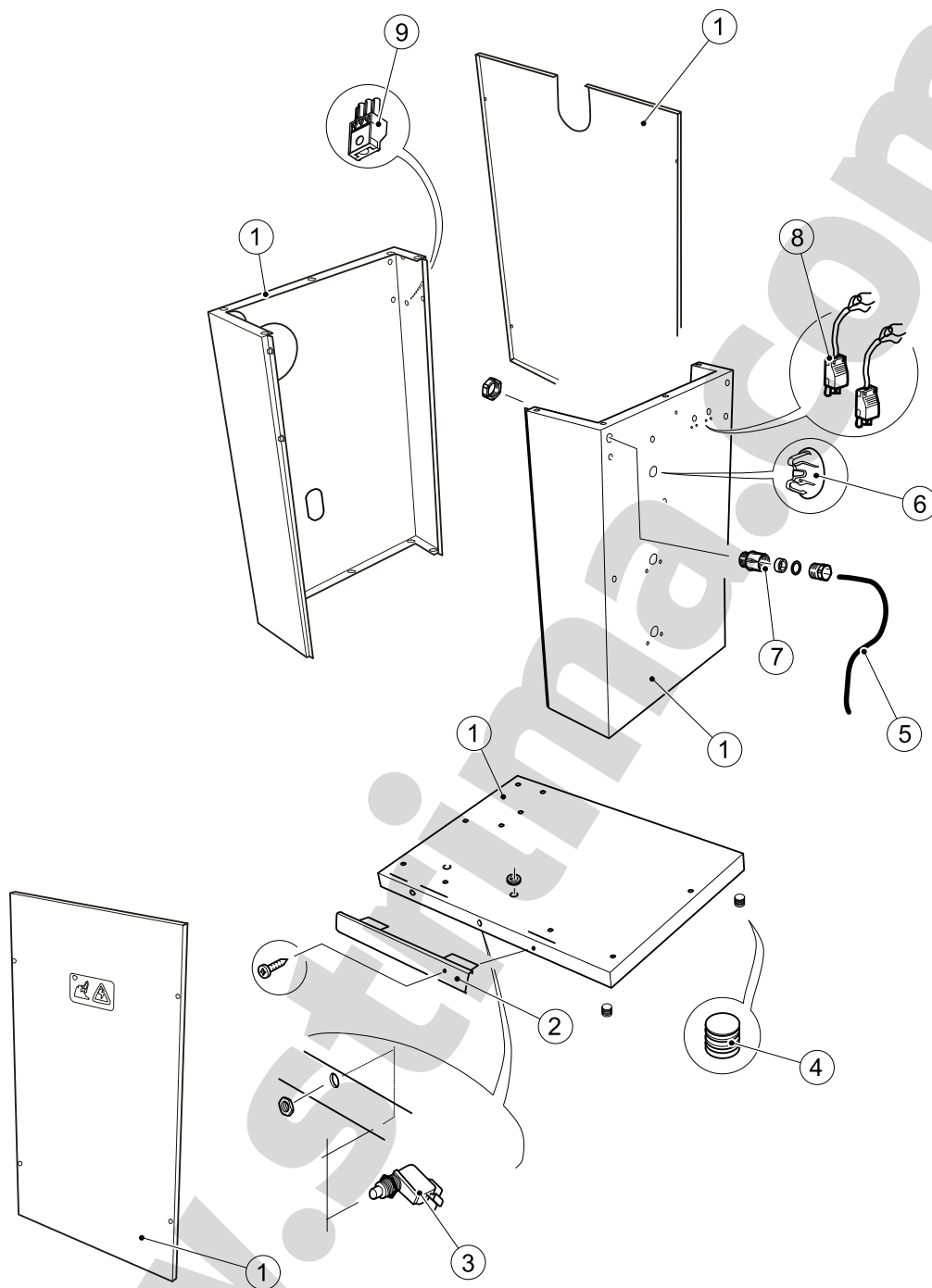
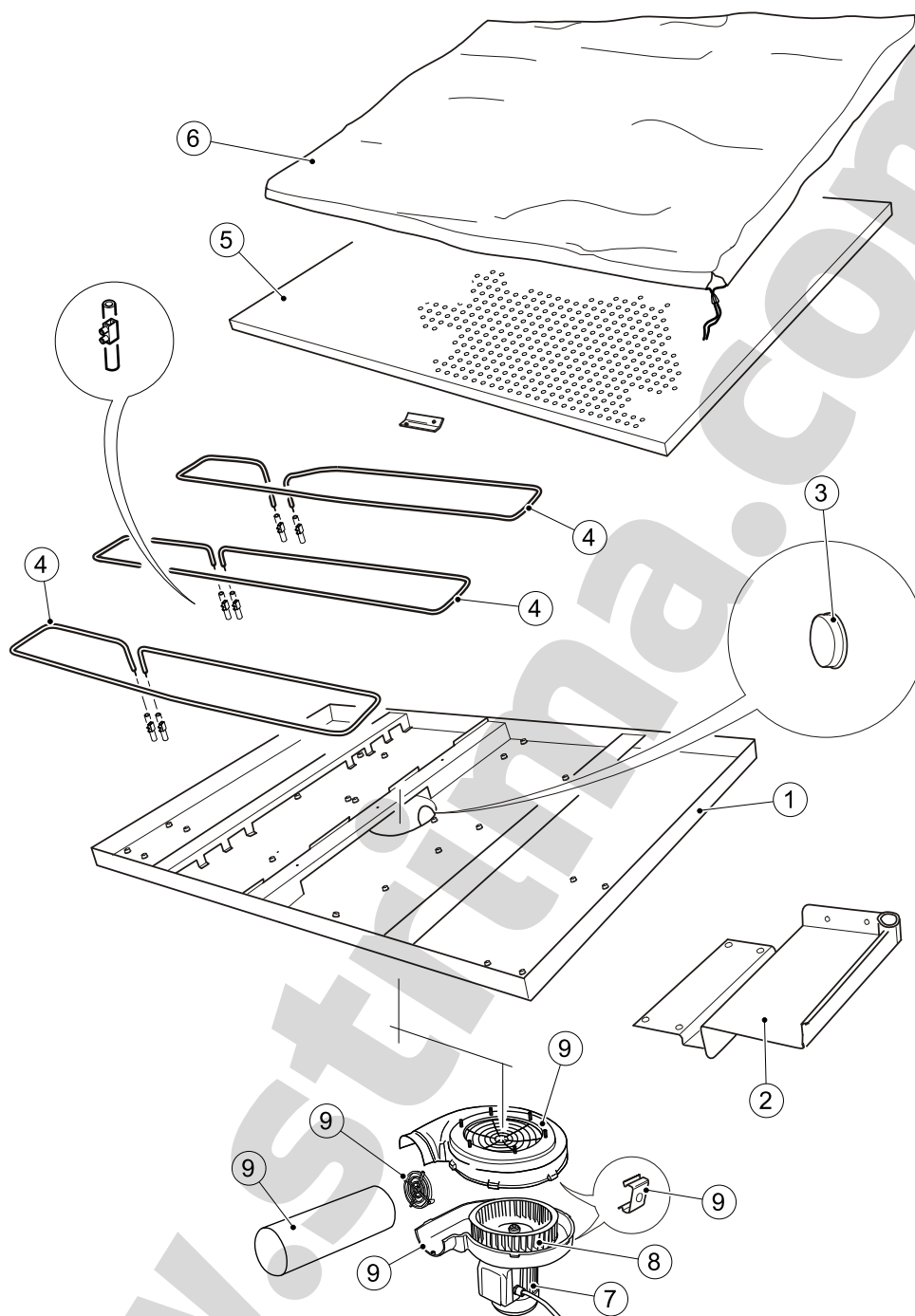


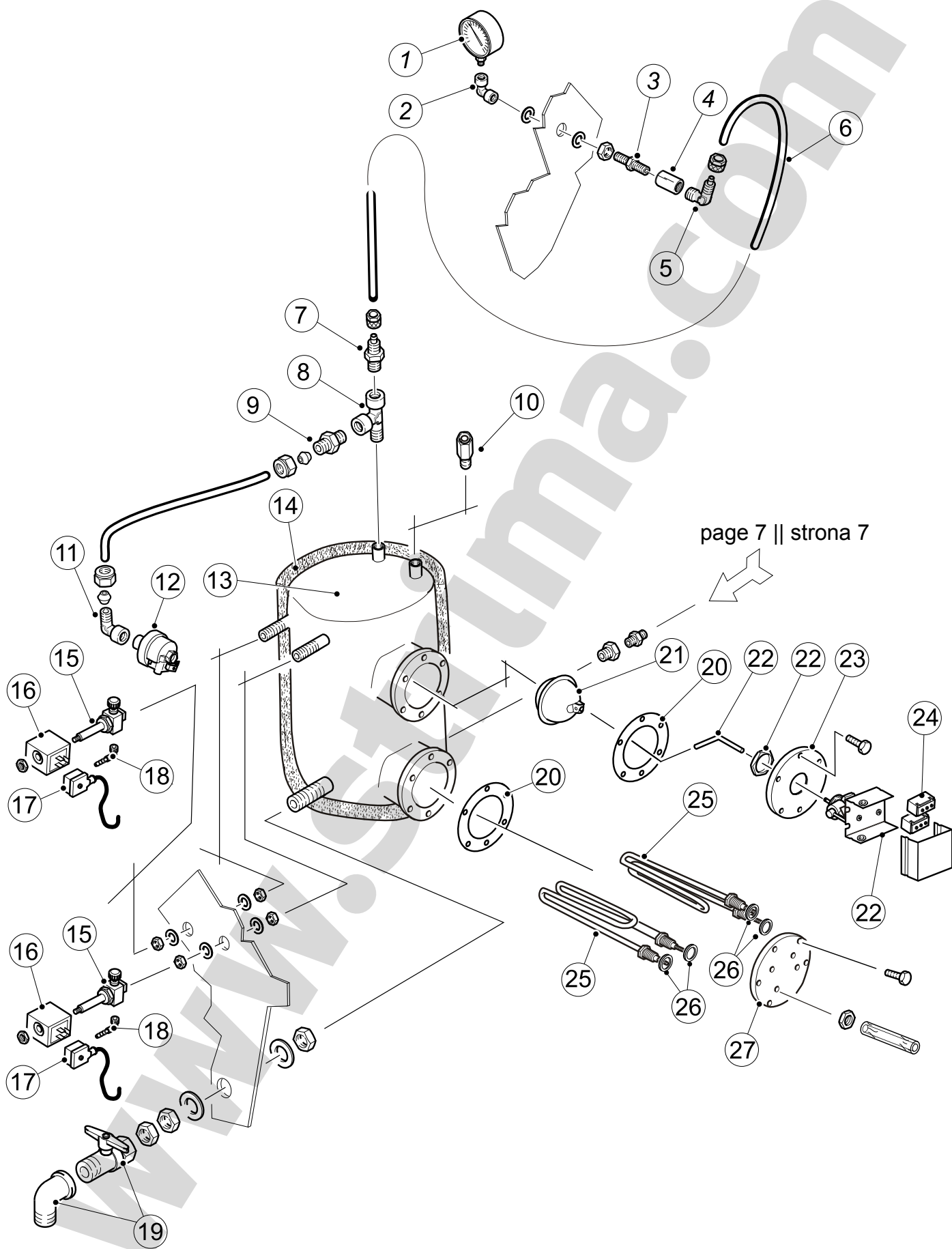
POS.	Q.TY	CODE	DESCRIPTION
1	1		Switchboard
2	1		Thermostat 120° for ironing board
3	1		Boiler switch 25 A
4	1		Terminal board
5	1		Terminal board
6	3		Pilot lamps
7	2		Iron switch
8	1		Boiler switch
9	1		Plane switch



POS.	Q.TY	CODE	DESCRIPTION
1	1		Frame
2	1		Pedal
3	1	21009	Micro switch for pedal
4	4		Rubber stoppers
5	1		Electric cable
6	3		Cover plates
7	1		Rubber ring for wire
8	2		Arm socket
9	1	20825	Iron socket



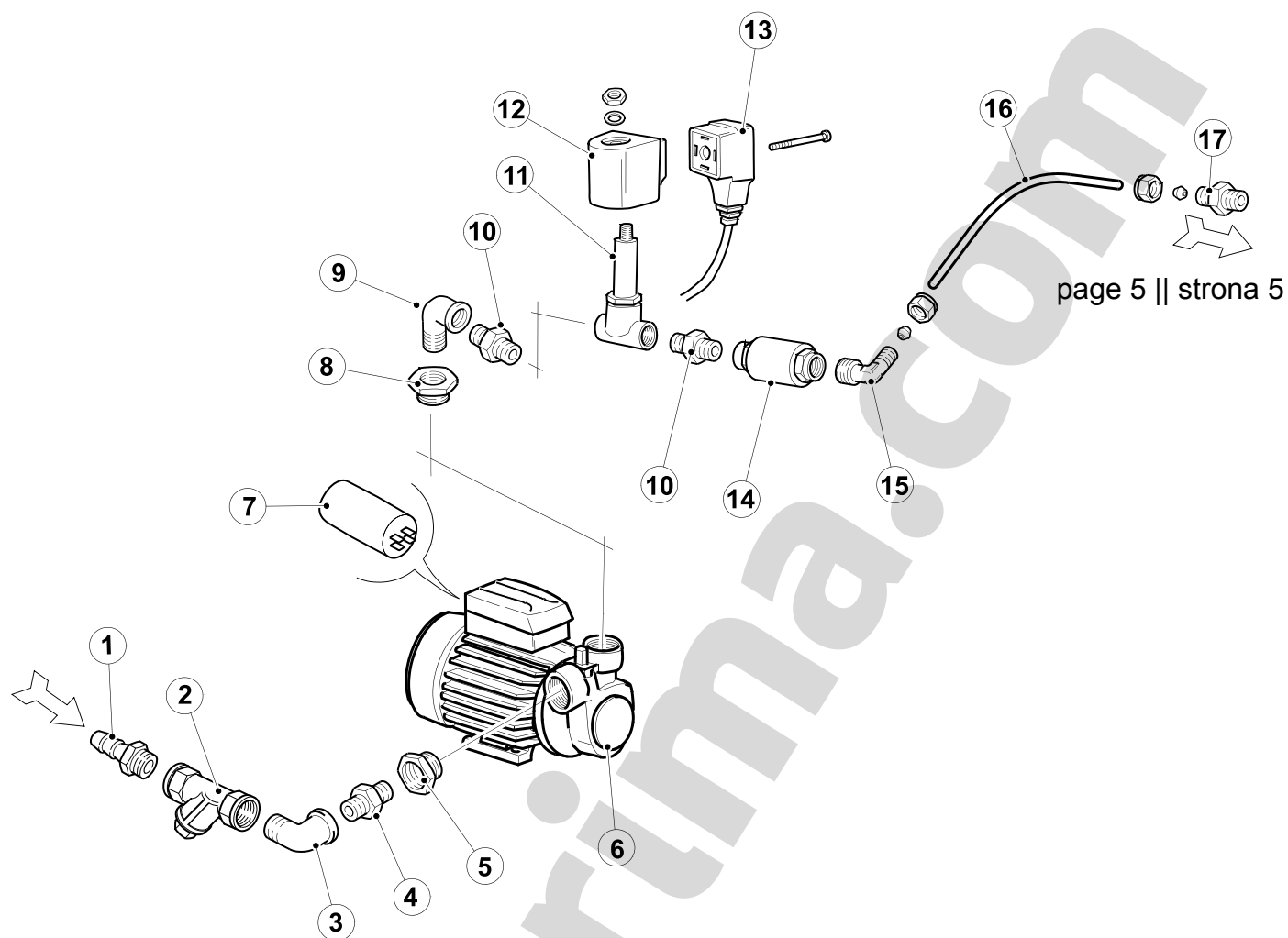
POS.	Q.TY	CODE	DESCRIPTION
1	1		Frame
2	1		Iron rest
3	1		Cover plate for ironing arm hole
4	3	21020	Board resistances 550 W
5	1		Punched ironing board
6	1	BATTISTELLA COVER URANO MAXI	Board prontosop padding
7	1		Aspirator 220 V.
8	1		Aluminium motor fan
9	1		Fan cover



Urano Maxi with SG



POS.	Q.TY	CODE	DESCRIPTION
1	1		Manometer 1/4"
2	1		Elbow joint 1/4"
3	1		Connection joint 1/4"
4	1		Joint 1/4"
5	1		Copper tube for manometer
6	1		Joint 1/4"
7	1		Copper tube for pressure switch
8	1		Joints 1/4"
9	1		Curved joint 1/4"
10	1		Pressure switch 1/4" 9 bar
11	1		Safety valve 3/8"
12	2		Coil
13	2		Connectors
14	2		Hose holder 1/4"
15	2		Valve groups 1/4"
16	1		Boiler
17	1		Sphere for level regulator
18	1		Gasket for flange of level regulator
19	1		Level regulator
20	1		Flange for level regulator
21	1		Phial for level regulator
22	1		Gasket for flange resistances
23	2		Boiler resistances
24	1		Flange for resistance
25	1		Boiler cover
26	1		Exhaust tap 1/2"
27	1		Elbow joint 1/2"



POS.	Q.TY	CODE	DESCRIPTION
1	1		Hose holder 1/2"
2	1		Filter
3	1		Elbow joints 1/2"
4	1		Connection joint 1/2"
5	1		Reduction joint 1"-1/2"
6	1	21072	Electro-pump PQM-60
7	1		Capacitor
8	1		Reduction joint 1"-3/8"
9	1		Elbow joints 3/8"
10	2		Connection joints 3/8"-1/4"
11	1		Water valve group
12	1		Coil
13	1		Connector
14	1		Check valve 3/8"
15	1		Curved joint 3/8"
16	1		Copper tube for water feed
17	1		Joint 3/8"