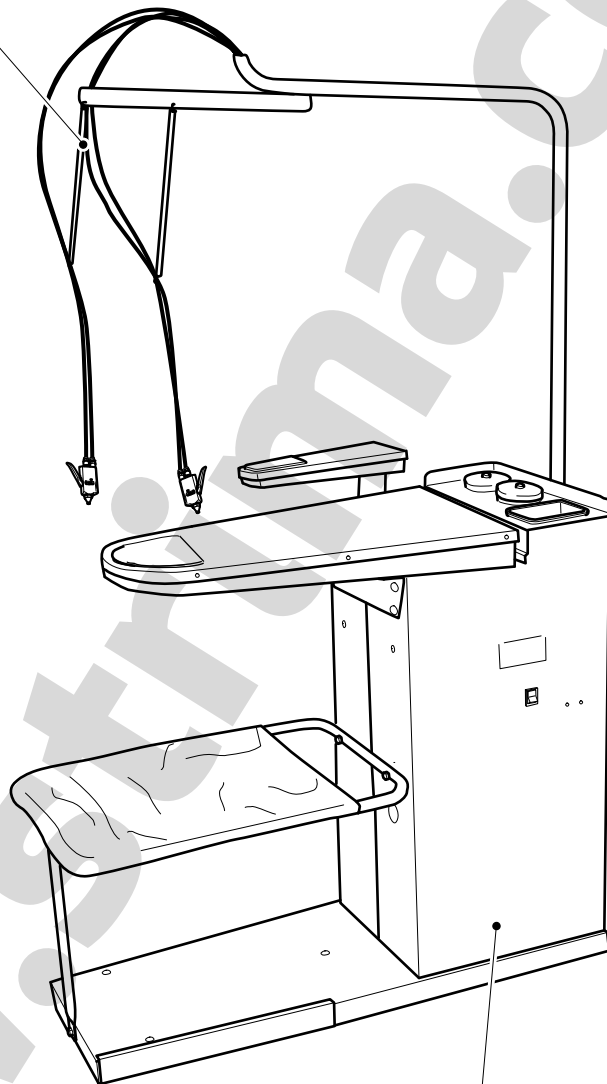
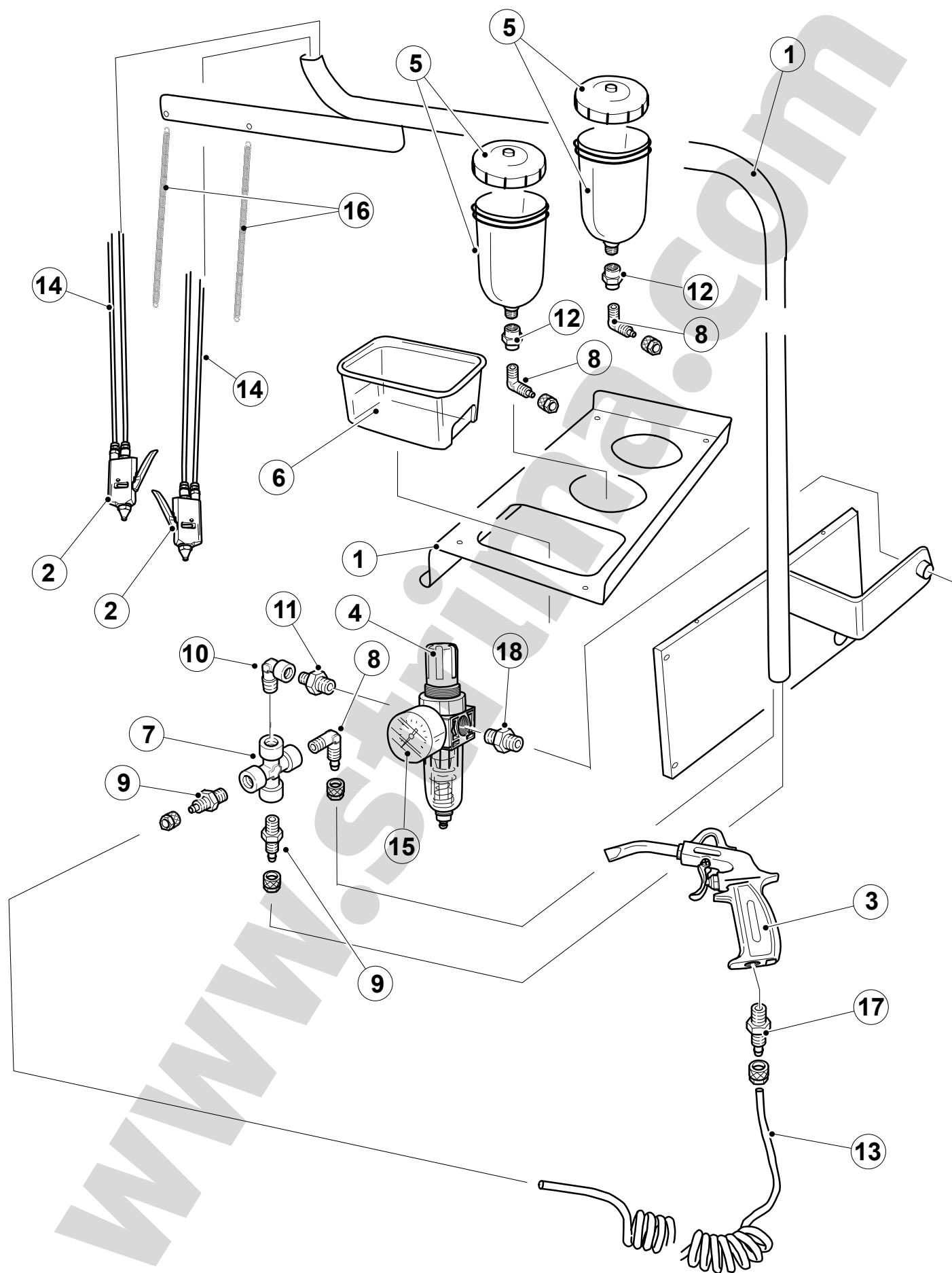


page 2 || strona 2



page 4 || strona 4



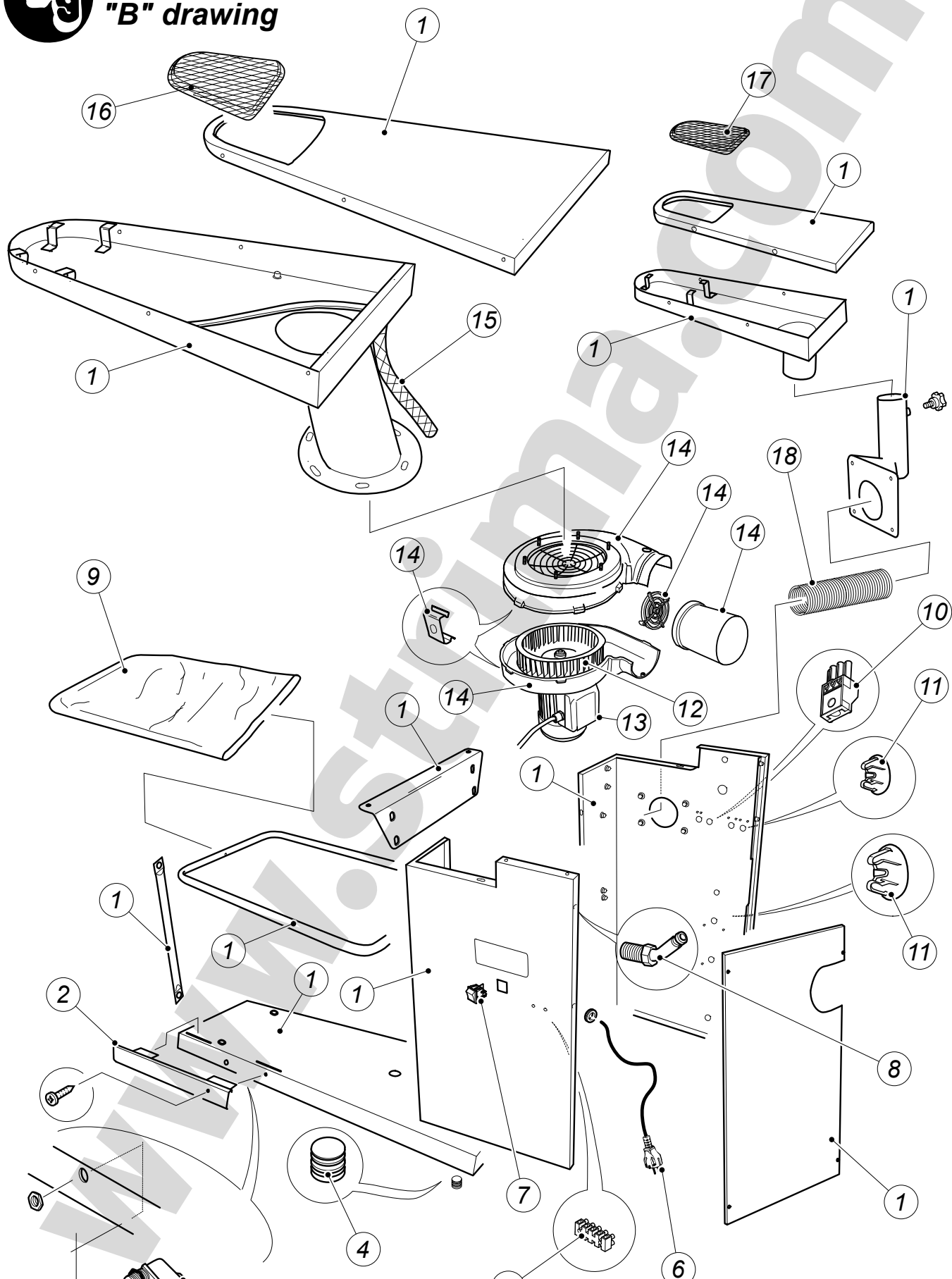
Venere with Hot Air Kit



POS.	Q.TY	CODE	DESCRIPTION
1	1		Frame / Metal sheet
2	2	21012	Spotting pistols
3	1	21011	Air pistol
4	1		Pressure regulator
5	2		Plastic liquid containers
6	1		Plastic container
7	1		X-joint 1/8"
8	3		L-joints 1/8"
9	2		Joint 1/8"
10	1		L-link joint 1/8"
11	2		Link joints 1/8"-1/4"
12	2		Joints 1/8"-1/4" with filter for liquid outlet
13	1		Air spiral pipe
14	4		Nylon link pipes
15	1		Pressure gauge 1/8"
16	2		Pistol support spring
17	1		Joint 1/4"
18	1		Link joint 1/4"

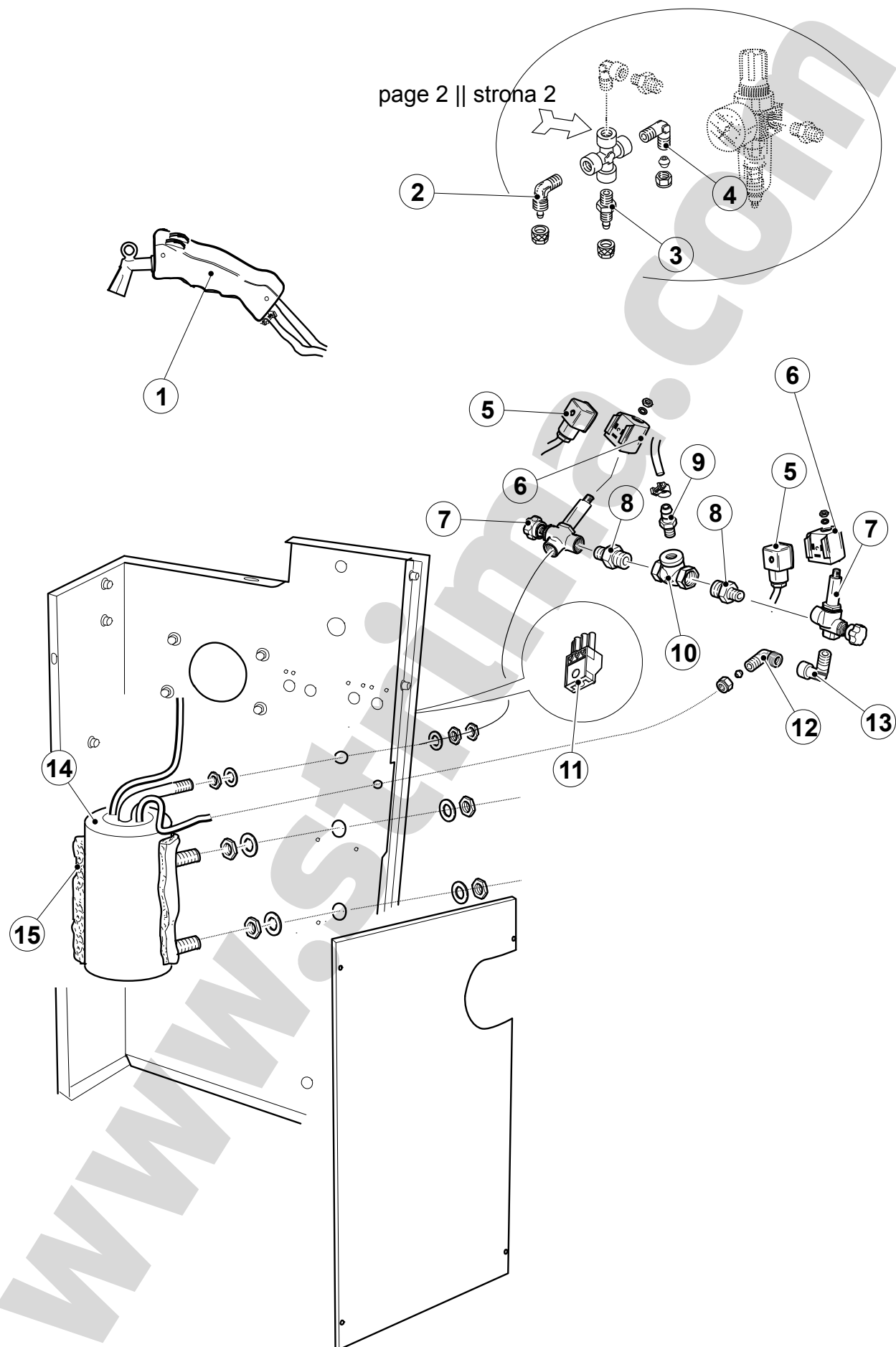


Tavola "B" "B" drawing



Venere with Hot Air Kit

POS.	Q.TY	CODE	DESCRIPTION
1	1		Frame / Metal sheet
2	1		Pedal
3	1		Micro-switch for pedal
4	4		Rubber stoppers
5	1		Terminal board
6	1		Electric cable
7	1		Luminous switch 16 A
8	1		Air pistol support
9	1		Linen-support cloth
10	1		"Mazzeri" socket
11	3		Cover plate
12	1		Motor fan
13	1		Aspirator
14	1		Fan cover
15	1		Liquid exhaust pipe
16	1		Stainless steel spotting board
17	1		Stainless steel spotting arm
18	1		Link pipe for arm



Venere with Hot Air Kit



POS.	Q.TY	CODE	DESCRIPTION
1	1		Air-steam pistol
2	1		Air L-joint 1/8"
3	1		Air joint 1/8"
4	1		Copper joint 1/8"
5	2		Connectors
6	2		Coils
7	2		Valve groups
8	2		Joints 1/2"-1/4"
9	1		Hose holder 1/4"
10	1		Non-return valve
11	1		"Mazzeri" socket
12	1		Curved copper joint 1/4"
13	1		Curved joint 1/4" M/F
14	1		Condensate separator
15	1		Cover