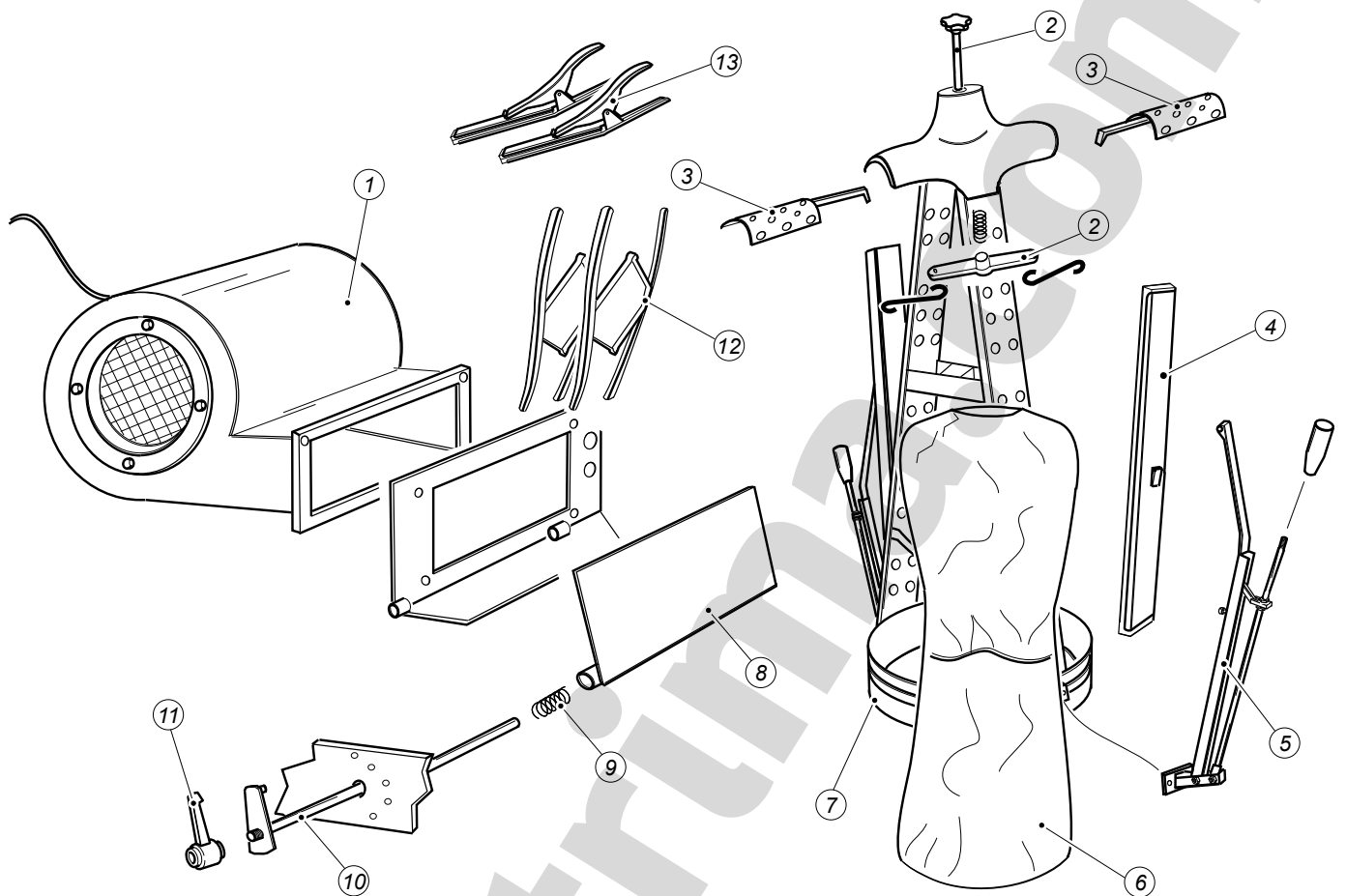
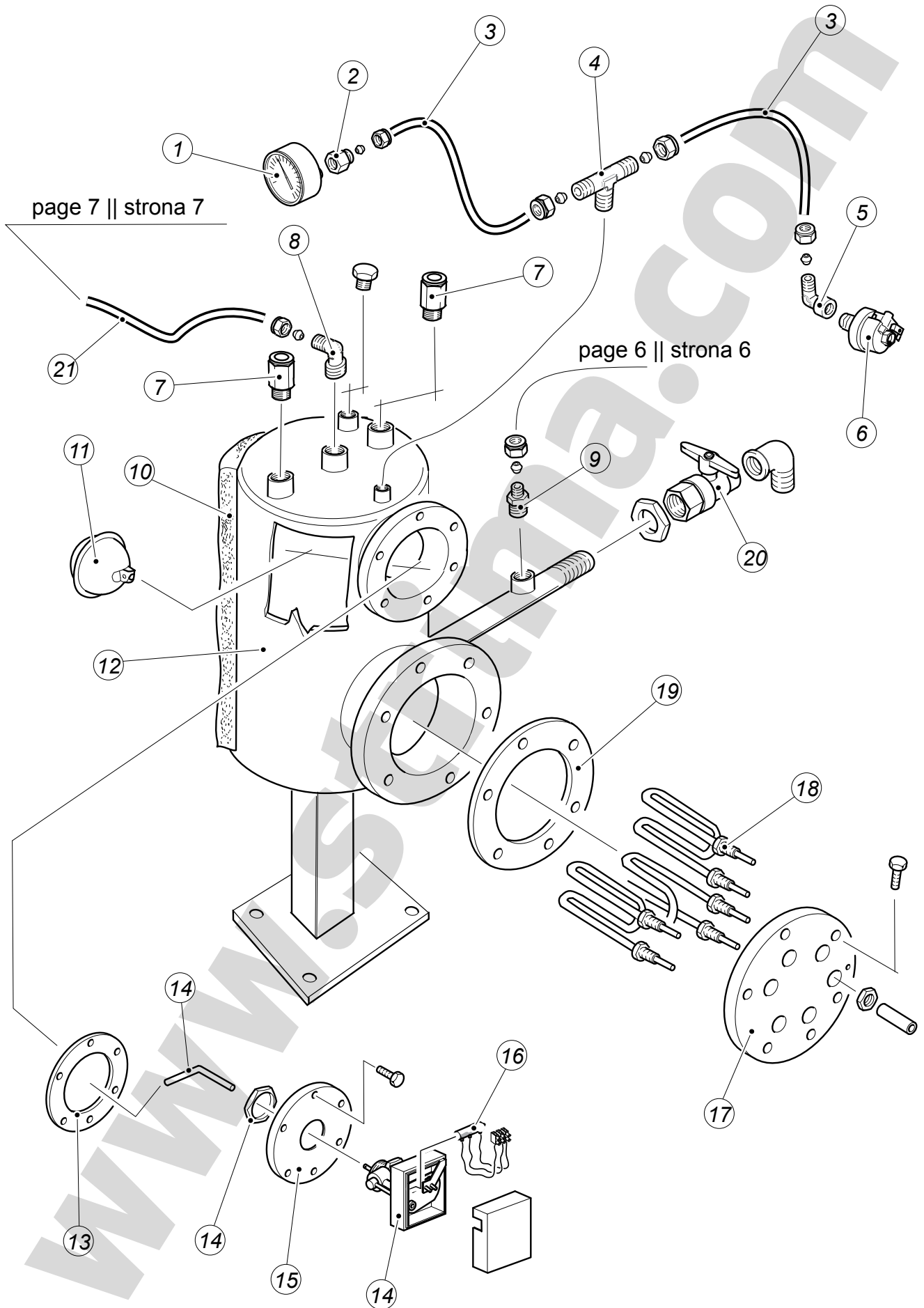


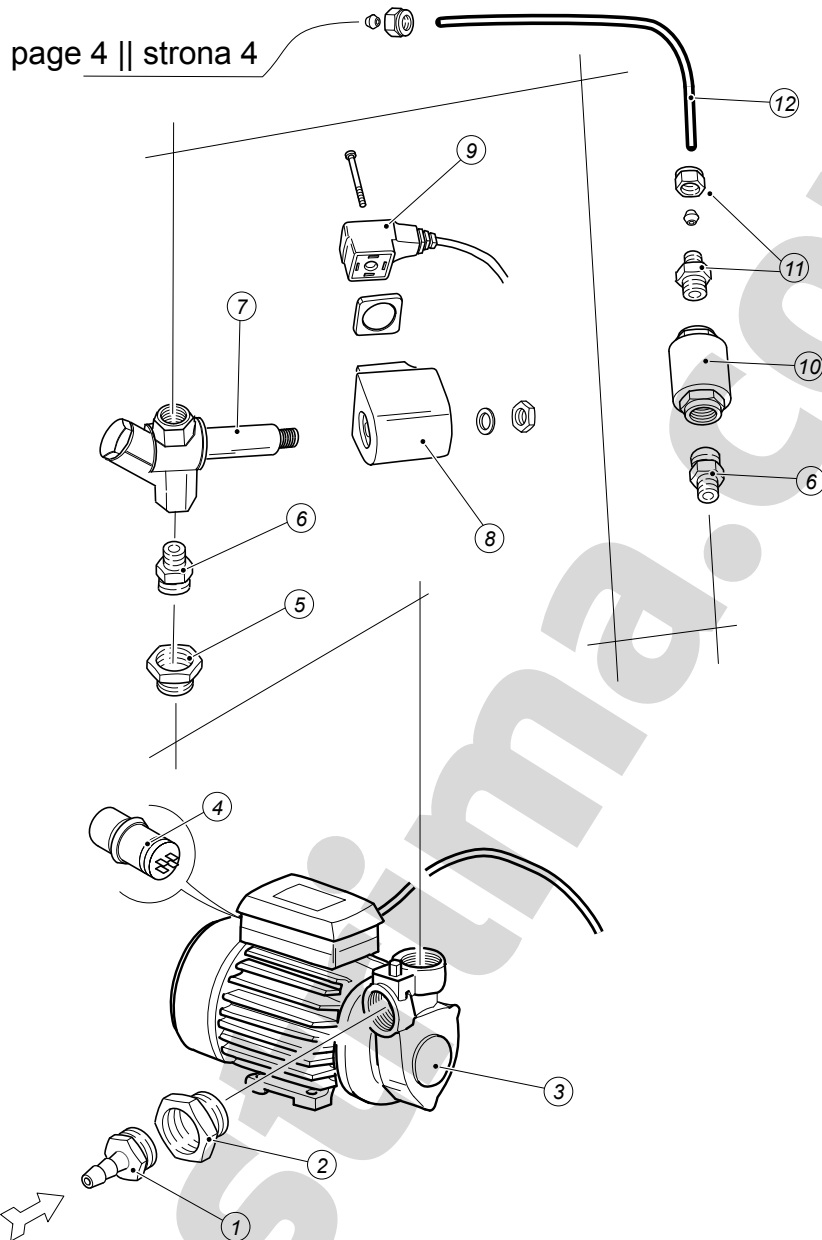
POS.	Q.TY	CODE	DESCRIPTION
1	1		Frame
2	1		Support for pliers
3	1		Switchboard panel
4	1		Pedal
5	1		Micro-switch for pedal
6	4		Rubber stoppers



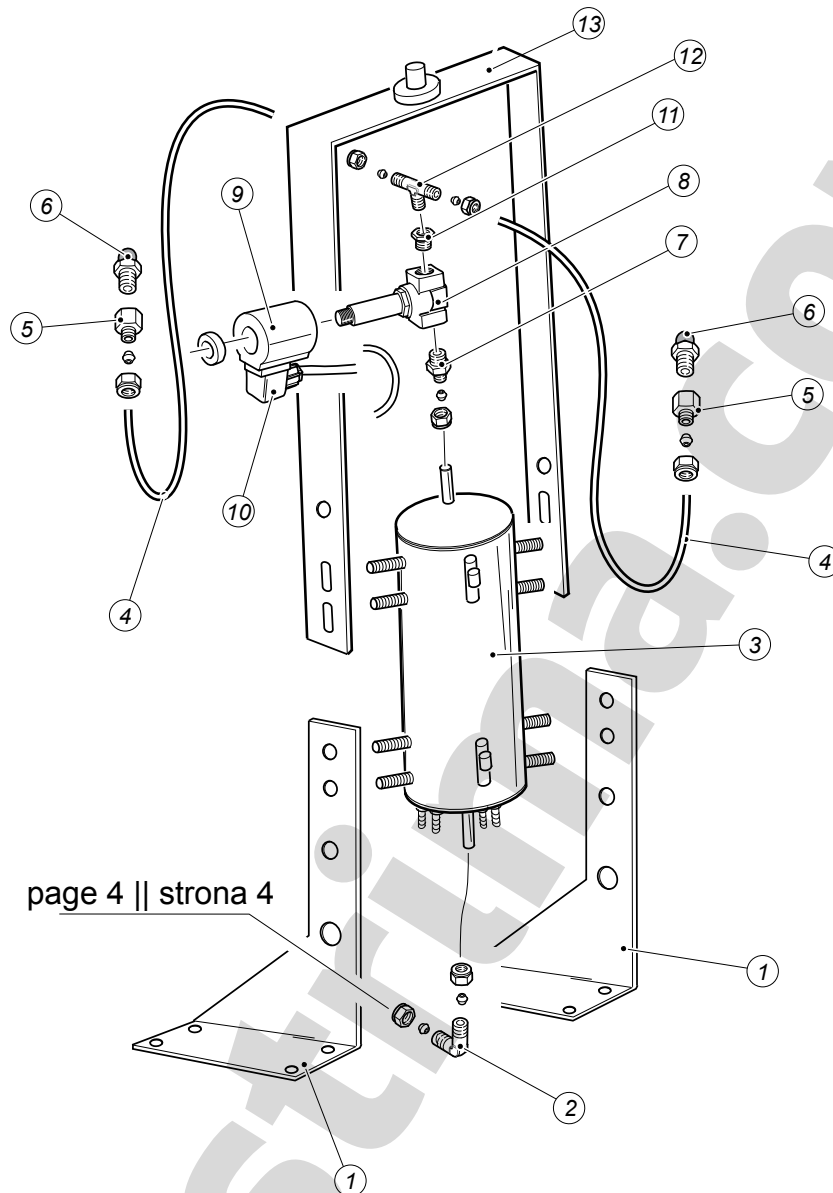
POS.	Q.TY	CODE	DESCRIPTION
1	1		Blowing motor 380V
2	1		Knob for shoulder adjustment
3	2		Adjustable shoulders
4	2		Paddles
5	2		Paddle supports
6	1	21034	Dummy cloth
7	1		Dummy
8	1		Air register
9	1		Air register spring
10	1		Rod
11	1		Handle
12	2	21060	Sleeve stretchers
13	2	21061	Pliers



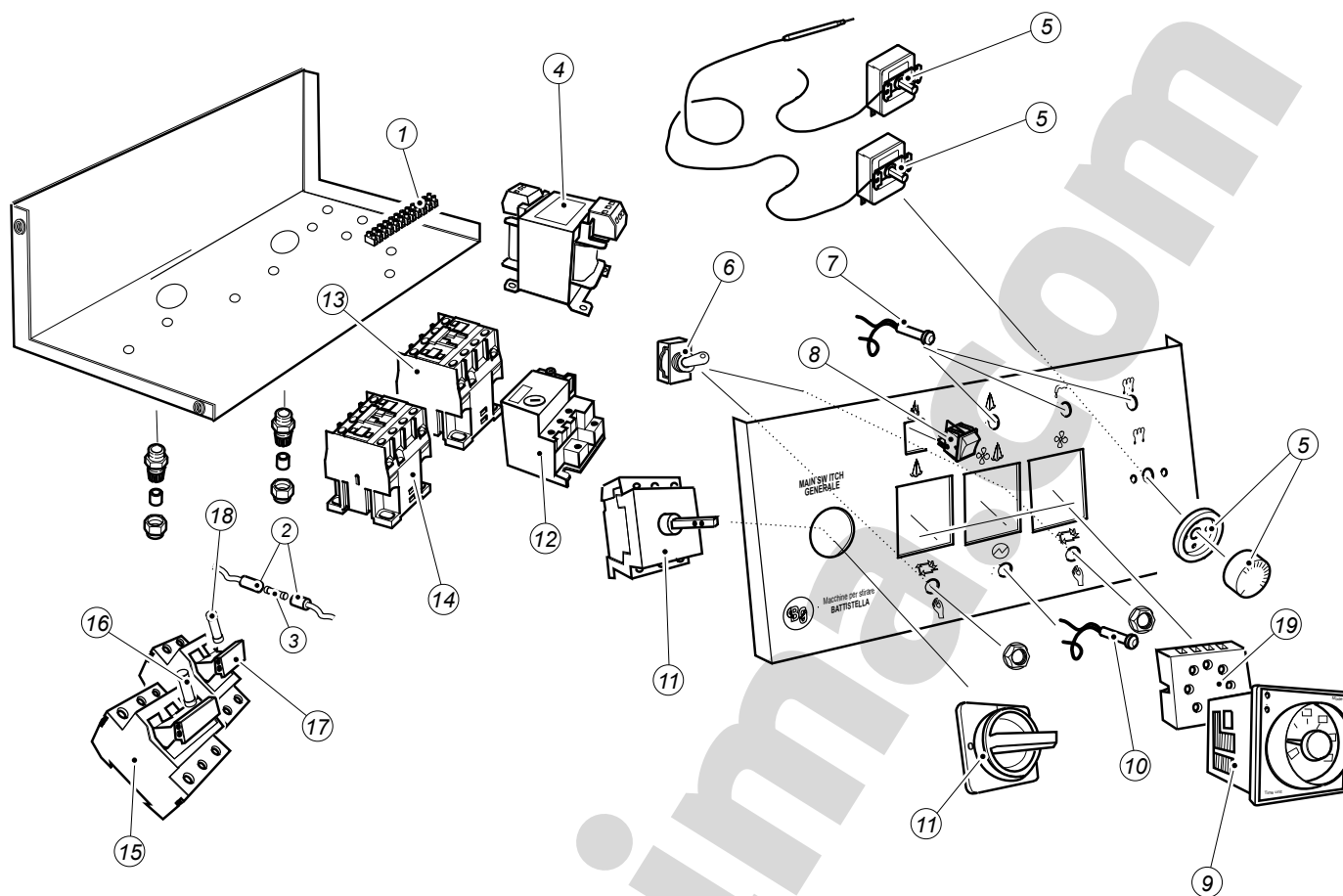
POS.	Q.TY	CODE	DESCRIPTION
1	1		Manometer
2	1		Joint 1/4"
3	2		Copper pipe Ø8
4	1		T-joint 1/4"
5	1		Curved joint 1/4"
6	1		Pressure switch
7	2		Safety valves 1/2"
8	1		Joint 1/2"
9	1		Joint 3/8"
10	1		Boiler cover
11	1		Floating ball for water level control
12	1	20236	Boiler
13	1		Flange gasket for water level control
14	1		Water level control
15	1		Flange for water level control
16	1		Bulb for water level control
17	1		Flange for resistance
18	3	21098	Resistances
19	1	20908	Flange gasket for resistance
20	1		Exhaust tap 1/2"
21	1		Copper pipe Ø10



POS.	Q.TY	CODE	DESCRIPTION
1	1		Hose holder 1/2"
2	1		Reduction joint 1"-1/2"
3	1		Electro-pump PQM-81
4	1		Capacitor
5	1		Reduction joint 1"-3/8"
6	2		Reducer joints 3/8"-1/4"
7	1		Valve group 1/4"
8	1		Valve coil for water inlet
9	1		Connector
10	1		Check valve 3/8"
11	1		Joint 3/8"
12	1		Copper pipe Ø8



POS.	Q.TY	CODE	DESCRIPTION
1	2		Brackets
2	1		Curved joint Ø10
3	1	21085	Steam superheater
4	2	21085	Copper pipes Ø8
5	2	21085	Joints 1/8"
6	2	21085	Steam nozzles 1/8"
7	1		Joint 3/8"
8	1	21050	Valve group 3/8"
9	1	21050	Coil 24V
10	1		Connector
11	1		Reducer joint 3/8"-1/4"
12	1	21085	T-joint 1/4"
13	1		Dummy support



POS.	Q.TY	CODE	DESCRIPTION
1	1		Terminal board
2	1		Fuse holder
3	1		Fuse 220V-2,5A
4	1		Transformer 220V-24V
5	2		Thermostats 300° C
6	2		Selectors
7	3		Pilot lamps 220V
8	1		Boiler switch
9	3	21031	Timers
10	1		Pilot lamp 24V
11	1		Main switch
12	1		Overload cutout / motor protector
13	1	21073	Contacteur MC1A 24V
14	1		Contacteur CL02 220V
15	1		Three-pole fuse holder
16	3		Fuses 400V-32A
17	1		Bipolar fuse holder
18	2		Fuses 400V-10A
19	3		Bases