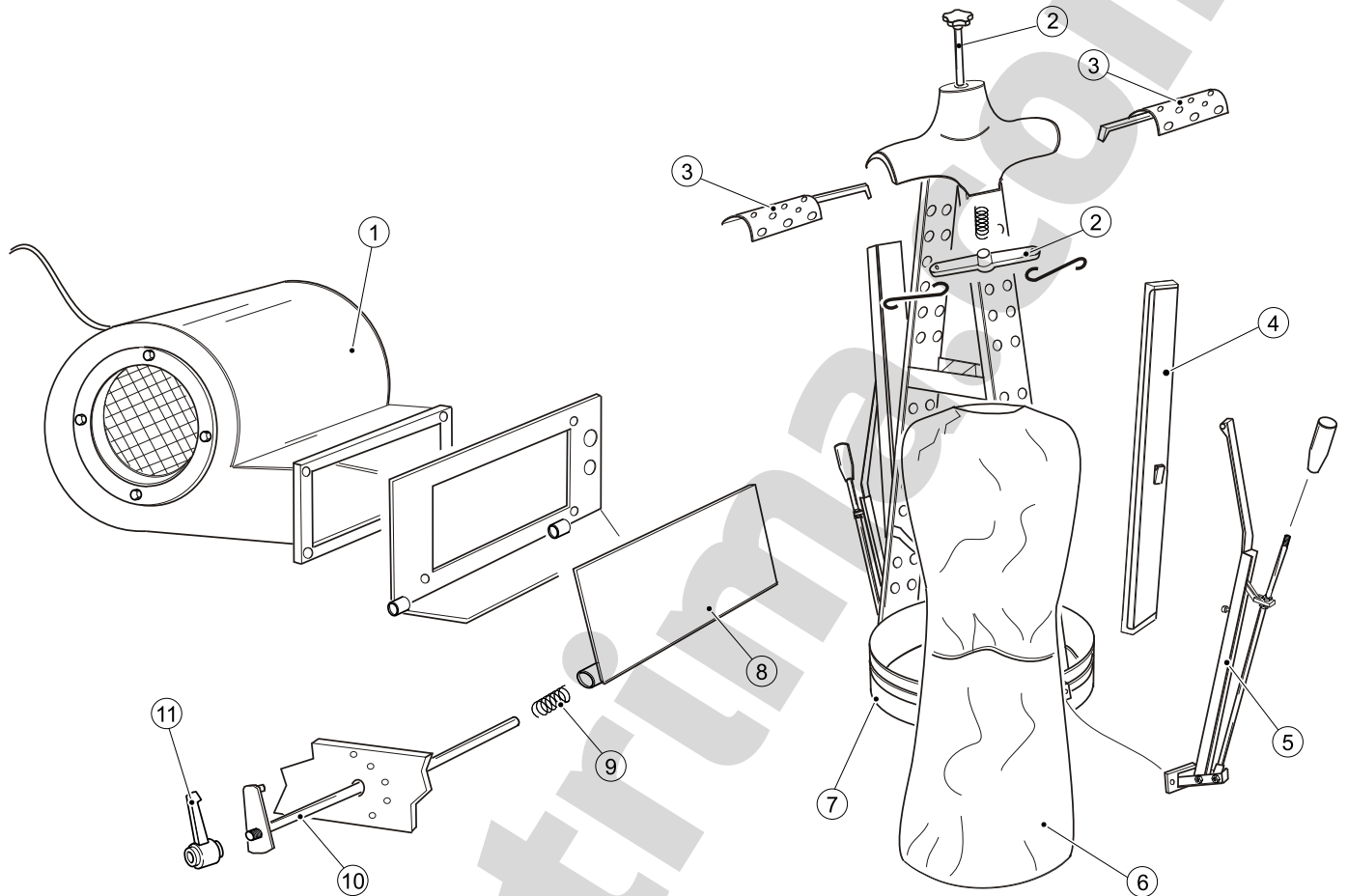
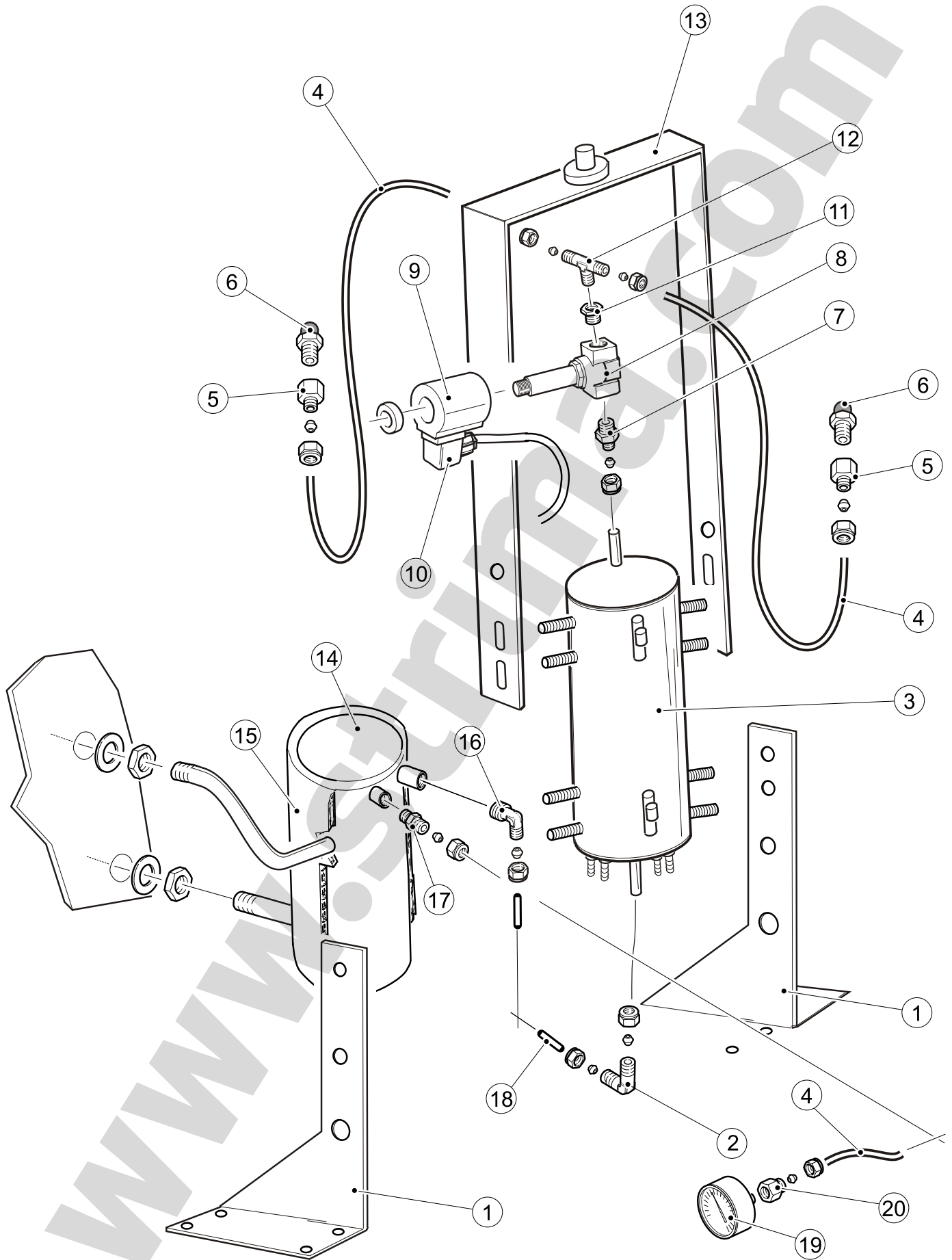


POS.	Q.TY	CODE	DESCRIPTION
1	1		Frame / metal sheet
2	1		Support for pliers
3	1		Switchboard panel
4	1		Pedal
5	1		Micro-switch for pedal
6	4		Rubber stoppers
7	1		Bracket
8	1		Pressure regulator with filter
9	1		Oil-feeder
10	2		Air joints 1/4" Ø8
11	1		Air deviation valve with vent
12	1		T-air joint 1/4" Ø8
13	1		Pressure regulator for arms tensioning
14	2		Y-air joints Ø4
15	2		Manometer 1/8"
16	2		Pressure regulators
17	4		Curved air joints 1/4" Ø4
18	2		Curved air joints 1/8" Ø4
19	2		Curved air joints 1/4" Ø4

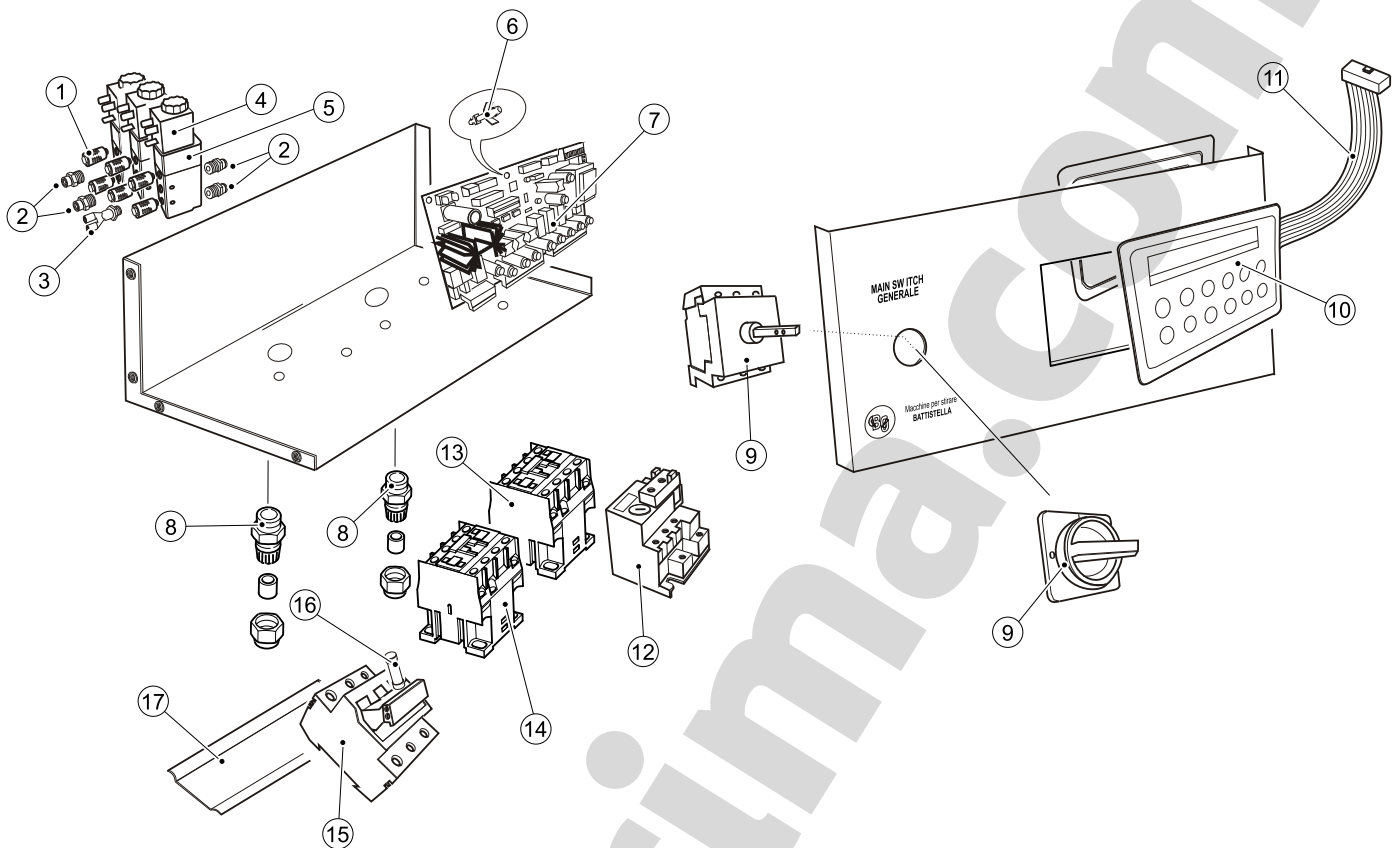


POS.	Q.TY	CODE	DESCRIPTION
1	1		Blowing motor 400V
2	1		Knob for shoulder adjustment
3	2		Adjustable shoulders
4	2		Paddles
5	2		Paddle supports
6	1	21034	Dummy cloth
7	1		Dummy
8	1		Air register
9	1		Air register spring
10	1		Rod
11	1		Handle

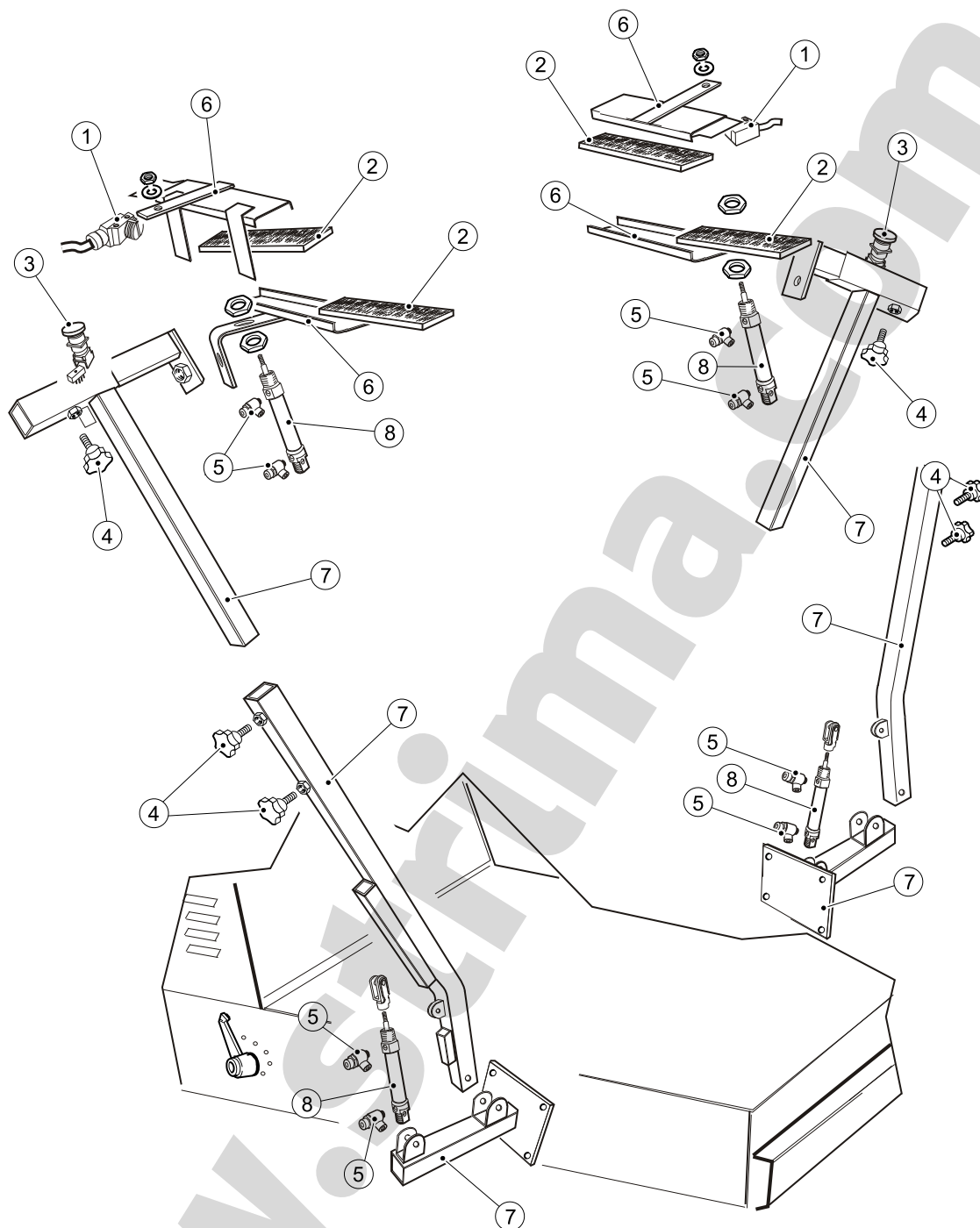


Zeus V Pneumatic

POS.	Q.TY	CODE	DESCRIPTION
1	2		Brackets
2	1		Curved joint Ø10
3	1		Steam superheater
4	3		Copper pipes Ø8
5	2		Joints 1/8"
6	2		Steam nozzles 1/8"
7	1		Joint 3/8"
8	1		Valve group 3/8"
9	1		Coil 24V
10	1		Connector
11	1		Reducer joint 3/8"-1/4"
12	1		T-joint 1/4"
13	1		Dummy support
14	1		Steam chamber
15	1		Steam chamber cover
16	1		Curved joint 3/8"
17	1		Joint 1/4"
18	1		Copper pipe Ø10
19	1		Manometer
20	1		Joint 1/4"



POS.	Q.TY	CODE	DESCRIPTION
1	6		Silencers
2	8		Air joints 1/8" Ø4
3	1		Y-air joint 1/8" Ø4
4	3		Coils for air valves
5	3		Groups for air valves
6	10		
7	1		Electronic card
8	2		
9	1		Main switch
10	1		Display
11	1		
12	1		Overload cutout / motor protector
13	1		Contactore MC1A 230V
14	1		Contactore CL02 230V
15	1		Three-pole fuse holder
16	3		Fuses 400V-32A
17	1		



POS.	Q.TY	CODE	DESCRIPTION
1	2		Sensors
2	4		Rubber for sleeve clamp
3	2		Mushroom head pushbuttons
4	6		Knobs
5	8		Flow regulator
6	2		Sleeve clamps
7	2		Arms for sleeve tensioning
8	4		Pistons