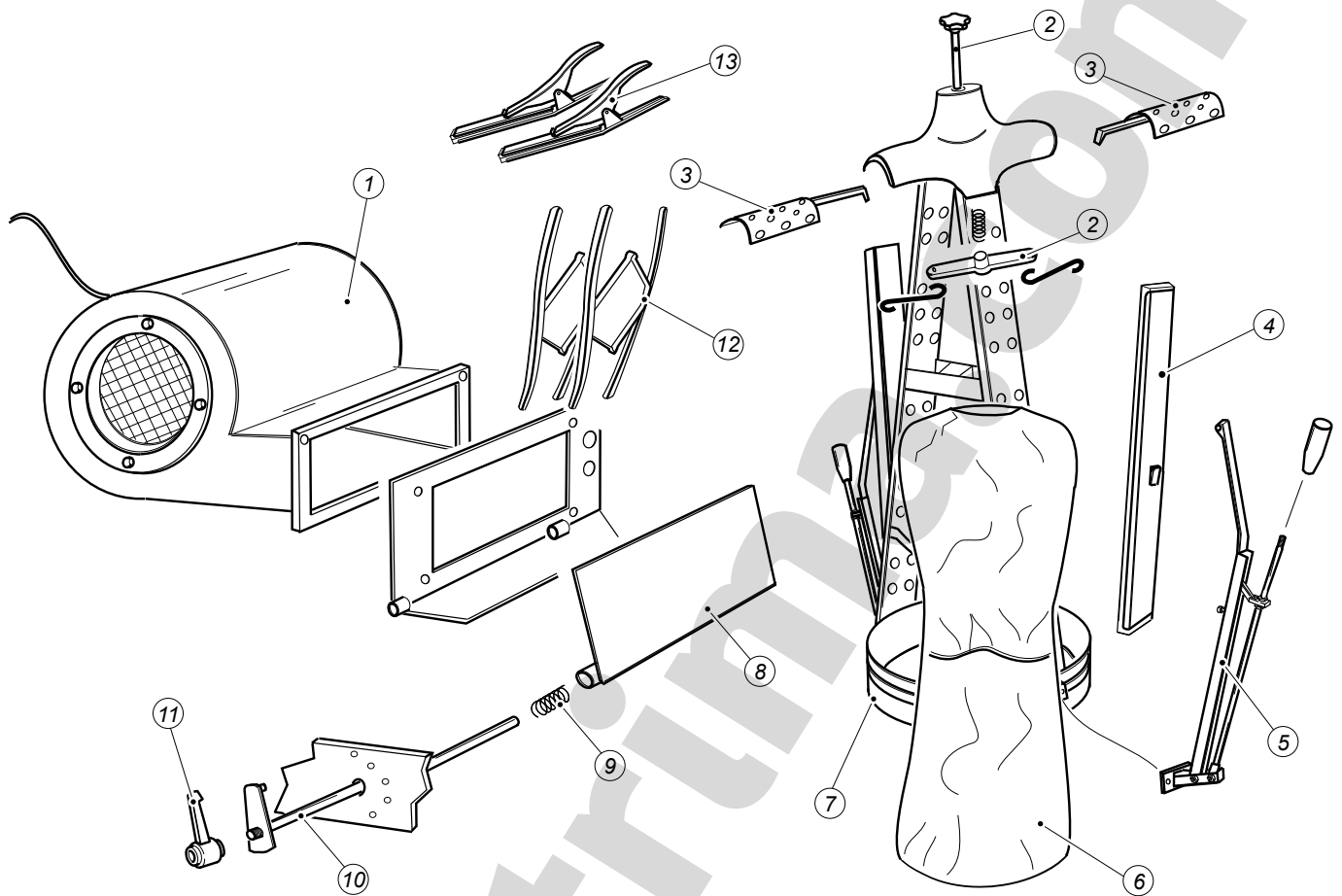
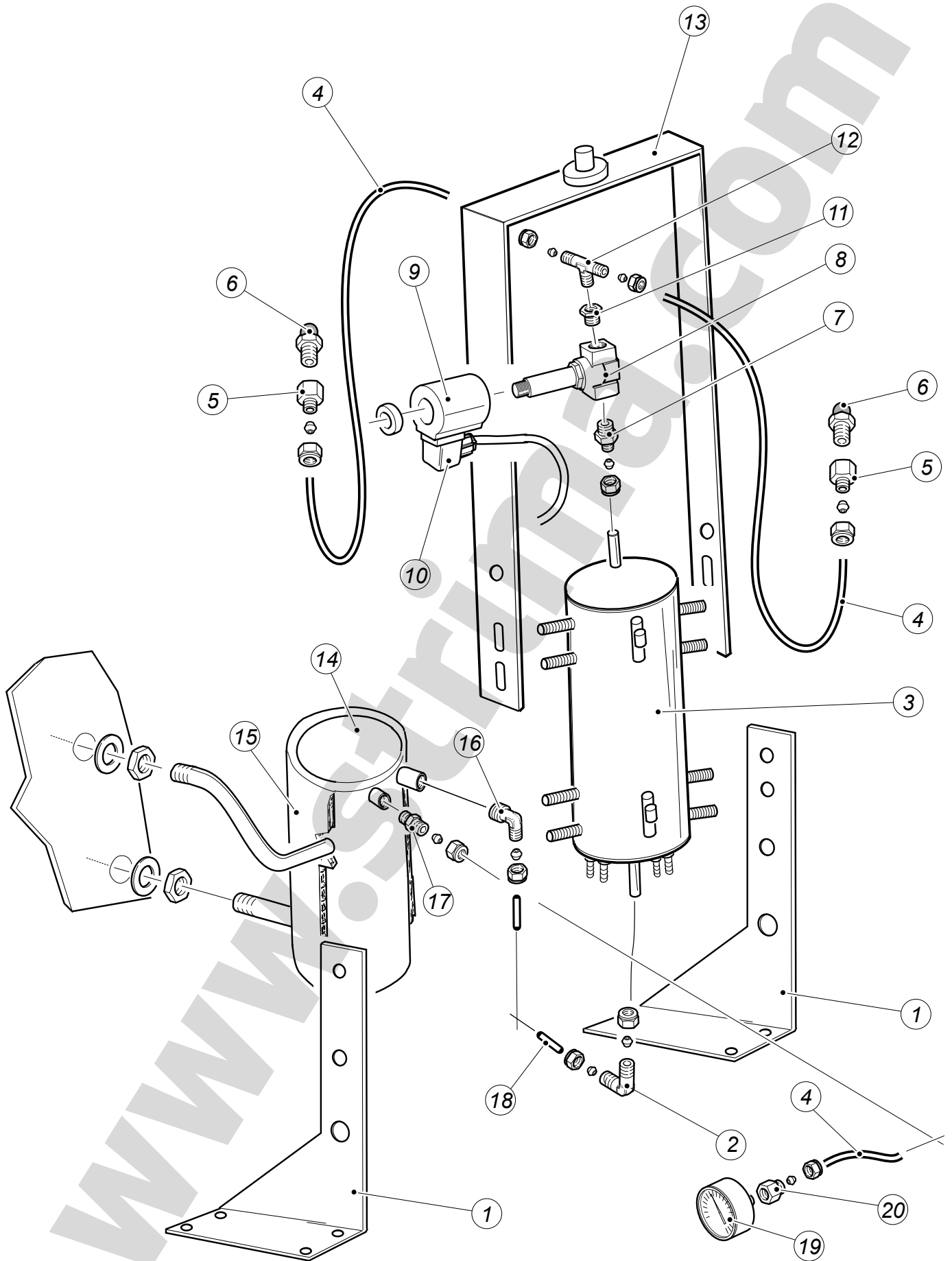


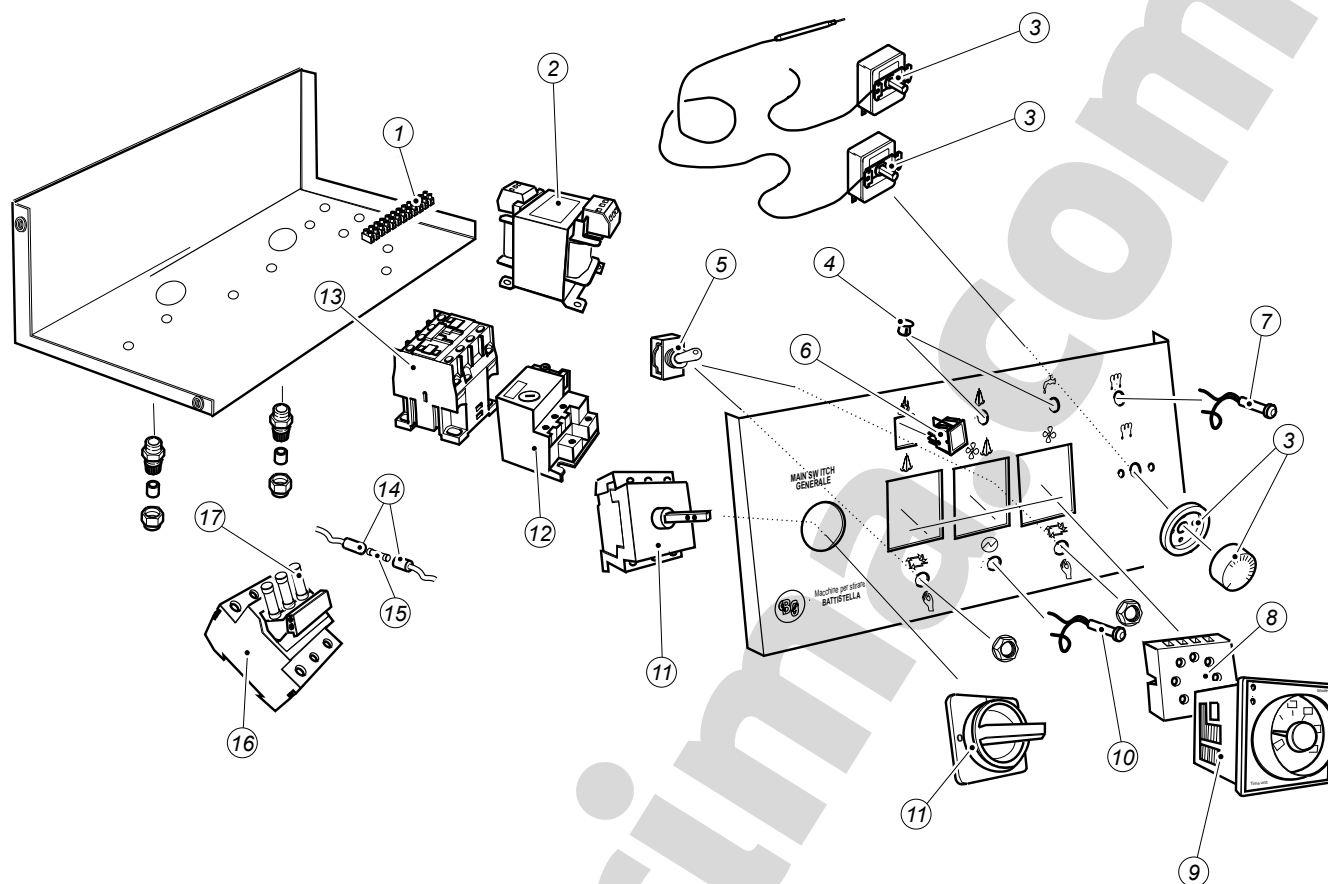
POS.	Q.TY	CODE	DESCRIPTION
1	1		Frame
2	1		Support for pliers
3	1		Switchboard panel
4	1		Pedal
5	1		Micro-switch for pedal
6	4		Rubber stoppers



POS.	Q.TY	CODE	DESCRIPTION
1	1		Blowing motor 380V
2	1		Knob for shoulder adjustment
3	2		Adjustable shoulders
4	2		Paddles
5	2		Paddle supports
6	1	21034	Dummy cloth
7	1		Dummy
8	1		Air register
9	1		Air register spring
10	1		Rod
11	1		Handle
12	2	21060	Sleeve stretchers
13	2	21061	Pliers



POS.	Q.TY	CODE	DESCRIPTION
1	2		Brackets
2	1		Curved joint Ø10
3	1		Steam superheater
4	3		Copper pipes Ø8
5	2		Joints 1/8"
6	2		Steam nozzles 1/8"
7	1		Joint 3/8"
8	1		Valve group 3/8"
9	1		Coil 24V
10	1		Connector
11	1		Reducer joint 3/8"-1/4"
12	1		T-joint 1/4"
13	1		Dummy support
14	1		Steam chamber
15	1		Steam chamber cover
16	1		Curved joint 3/8"
17	1		Joint 1/4"
18	1		Copper pipe Ø10
19	1		Manometer
20	1		Joint 1/4"



POS.	Q.TY	CODE	DESCRIPTION
1	1		Terminal board
2	1		Transformer 220V-24V
3	2		Thermostats 300° C
4	2		Cover plates
5	2		Selectors
6	1		Coverplates for luminous switch
7	1		Pilot lamp 220V
8	3		Bases
9	3	21050	Timers
10	1		Pilot lamp 24V
11	1		Main switch
12	1		Overload cutout / motor protector
13	1	21073	Contactore MC1A 24V
14	1		Fuse holder
15	1		Fuse 220V-2,5A
16	1		Three-pole fuse holder
17	3		Fuses 400V-16A