



brother
SL-2110
零部件表
PARTS LIST

单针自动切线平缝机
SINGLE NEEDLE STRAIGHT LOCK STITCHER WITH
THREAD TRIMMER

型号牌的读解法
Description of model plate

SL-2110-000

- 用于中厚布料
Medium-weight materials
用于厚布料
Heavy-weight materials
切线 + 倒缝
Thread Trimmer + Quick Reverse
切线 + 倒缝 + 扫线
Thread Trimmer + Quick Reverse + Thread Wiper

- 1. 本手册是根据截止至 2006 年 9 月的资料为基准而编制的。
2. 零部件设计若有变动，恕不另行通知。
3. 以组件为单位供应的零部件是用虚线框出。
4. 在图中数字后带有 "+" 符号的是指由于机种不同其零部件也不同，请参考相关的零部件表。
5. 零部件表中的零部件序号中有 "Ga." 时，由于机种不同其零部件也不同，请参考 "Ga. 工具一览表"。

- 1. This list was prepared based on information available in September 2006.
2. Parts are subject to changes in design without prior notice.
3. Parts supplied as complete assemblies are circled by a dotted line.
4. If the symbol "+" is found at the end of number in the figure, refer to the parts list, because specification differs.
5. If the symbol "Ga." is found in CODE column in list, refer to item the "Ga. Gauge parts list", because specification differs.

A. 机体部分 / Machine body

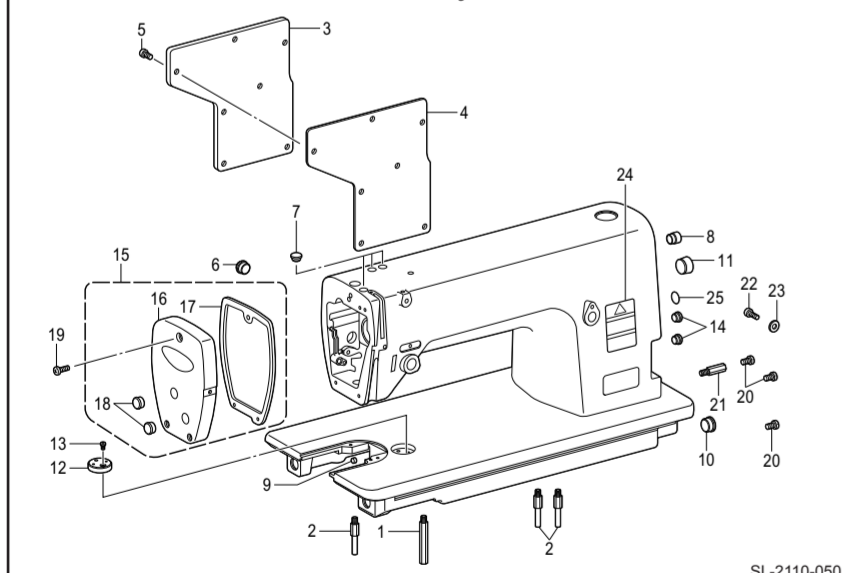


Table with 5 columns: 参照号, 零部件序号, 数量, 零部件名称, NAME OF PARTS. Lists various machine body components like legs, covers, and plates.

B. 针杆·挑线杆装置 / Needle bar and thread take-up mechanism

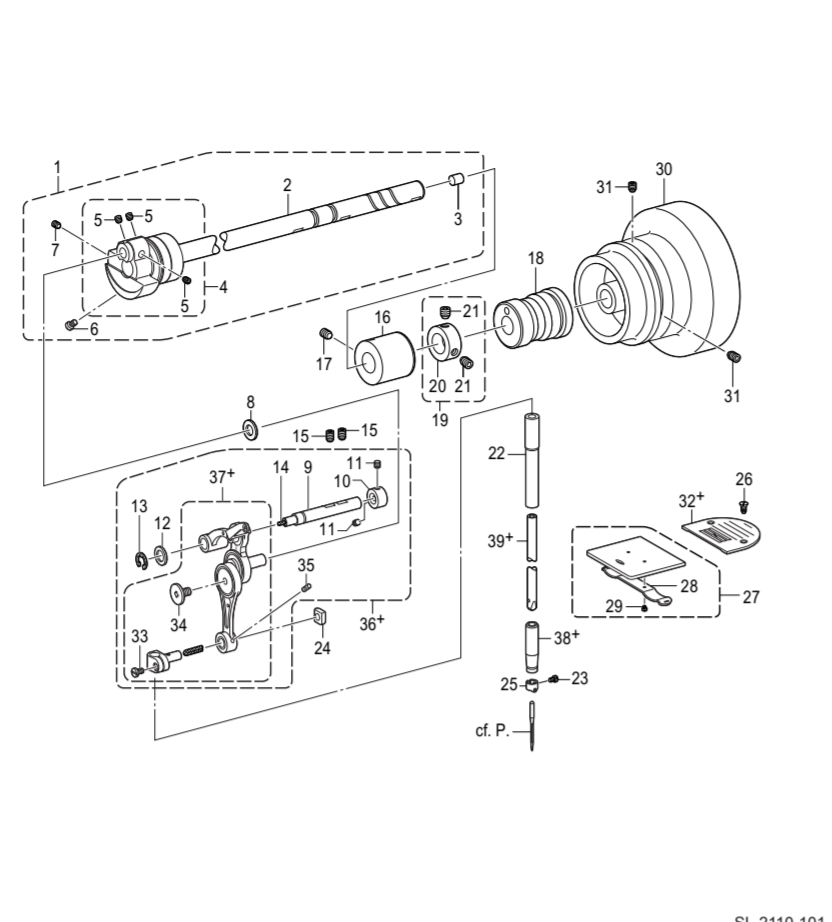


Table with 5 columns: 参照号, 零部件序号, 数量, 零部件名称, NAME OF PARTS. Lists parts for the needle bar and thread take-up mechanism.

C. 倒缝开关装置 / Quick reverse switch mechanism

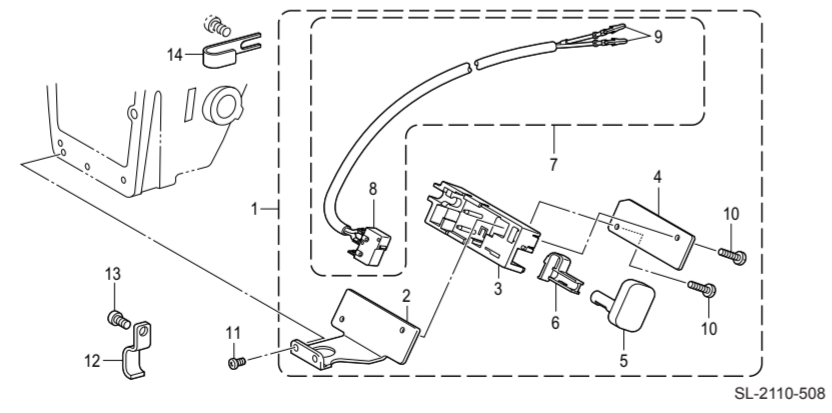


Table with 5 columns: 参照号, 零部件序号, 数量, 零部件名称, NAME OF PARTS. Lists parts for the quick reverse switch mechanism.

D. 送料装置 / Feed mechanism

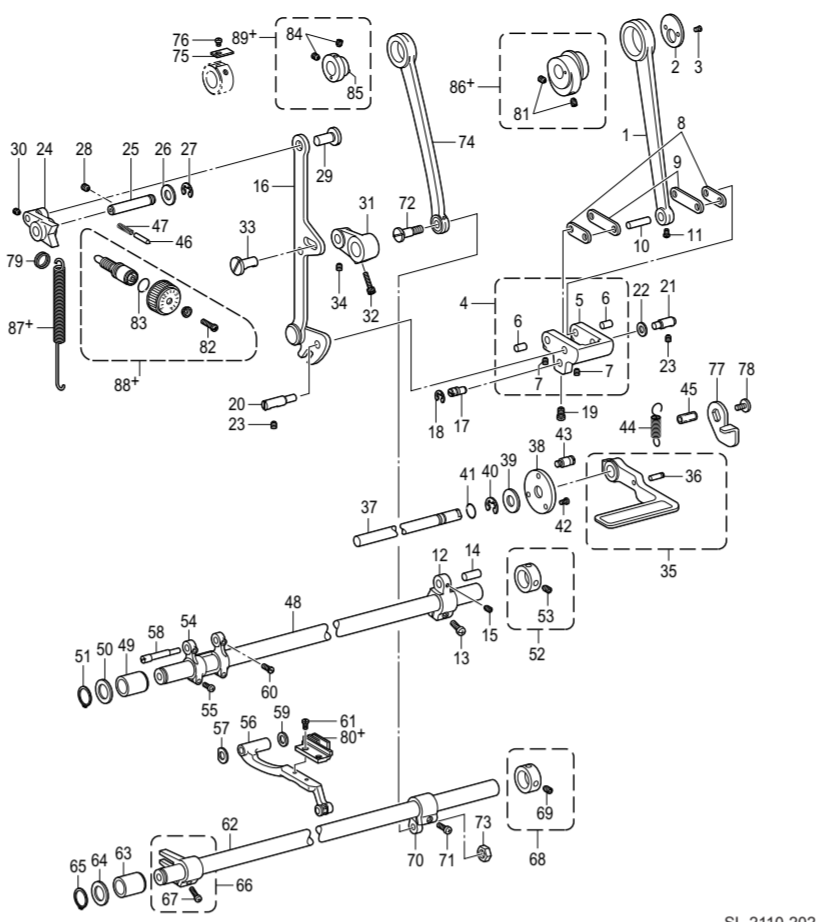


Table with 5 columns: 参照号, 零部件序号, 数量, 零部件名称, NAME OF PARTS. Lists parts for the feed mechanism.

E. 旋梭装置 / Rotary hook mechanism

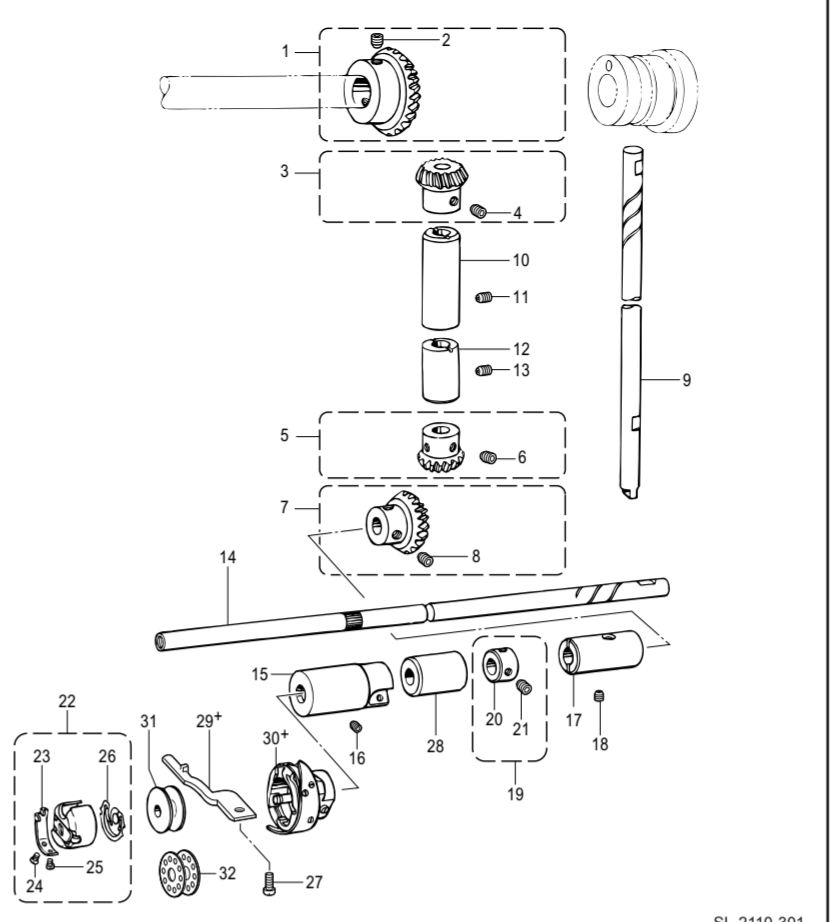


Table with 5 columns: 参照号, 零部件序号, 数量, 零部件名称, NAME OF PARTS. Lists parts for the rotary hook mechanism.

G. 供油润滑装置 / Lubrication

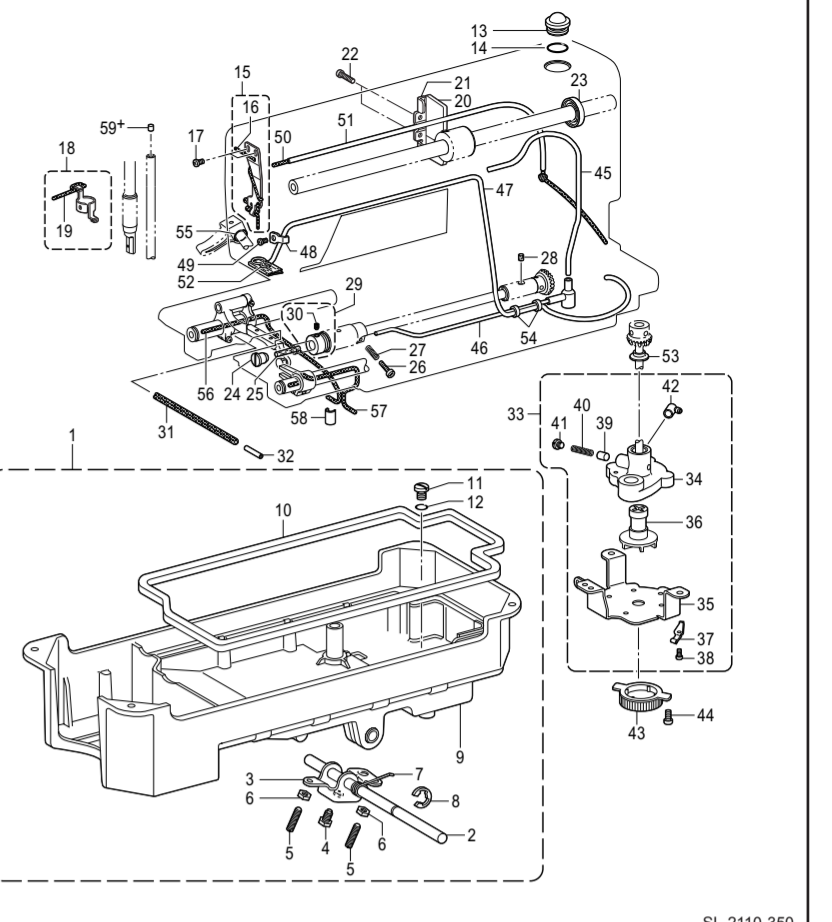


Table with 5 columns: 参照号, 零部件序号, 数量, 零部件名称, NAME OF PARTS. Lists parts for the lubrication system.

F. 松线装置 / Tension release mechanism

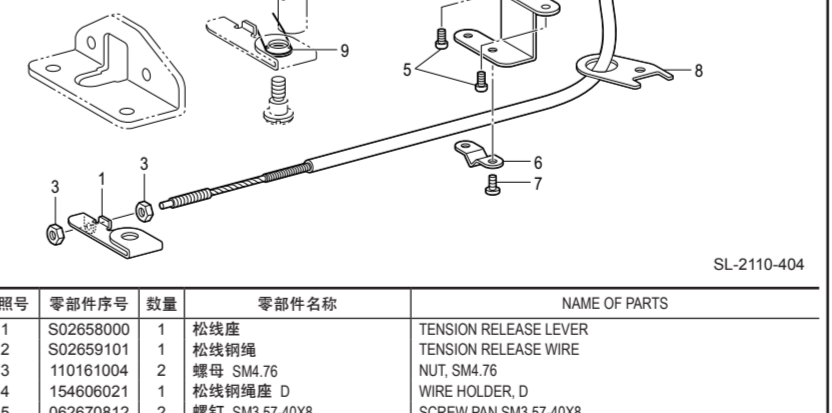
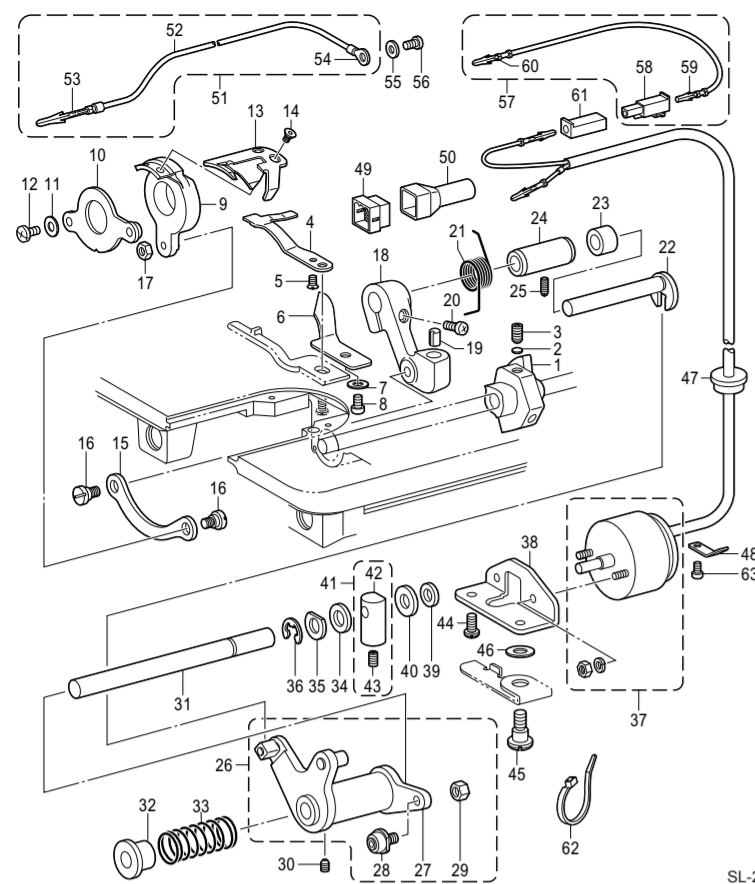


Table with 5 columns: 参照号, 零部件序号, 数量, 零部件名称, NAME OF PARTS. Lists parts for the tension release mechanism.



H. 切线装置 / Thread trimmer mechanism

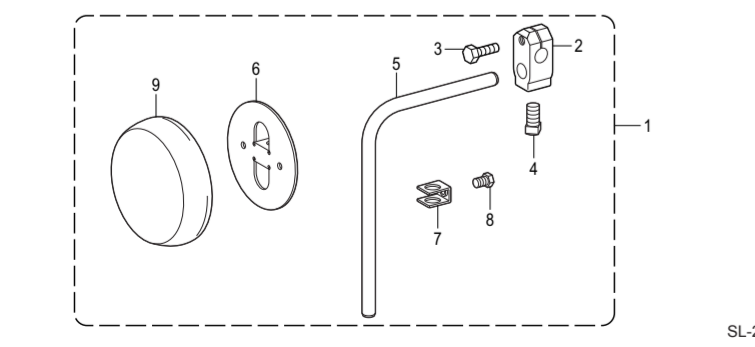


SL-2110-403

Table with 4 columns: 参照号 (Ref ID), 零部件序号 (Part No), 数量 (Qty), 零部件名称 (Part Name), and NAME OF PARTS.

Table with 4 columns: 参照号 (Ref ID), 零部件序号 (Part No), 数量 (Qty), 零部件名称 (Part Name), and NAME OF PARTS.

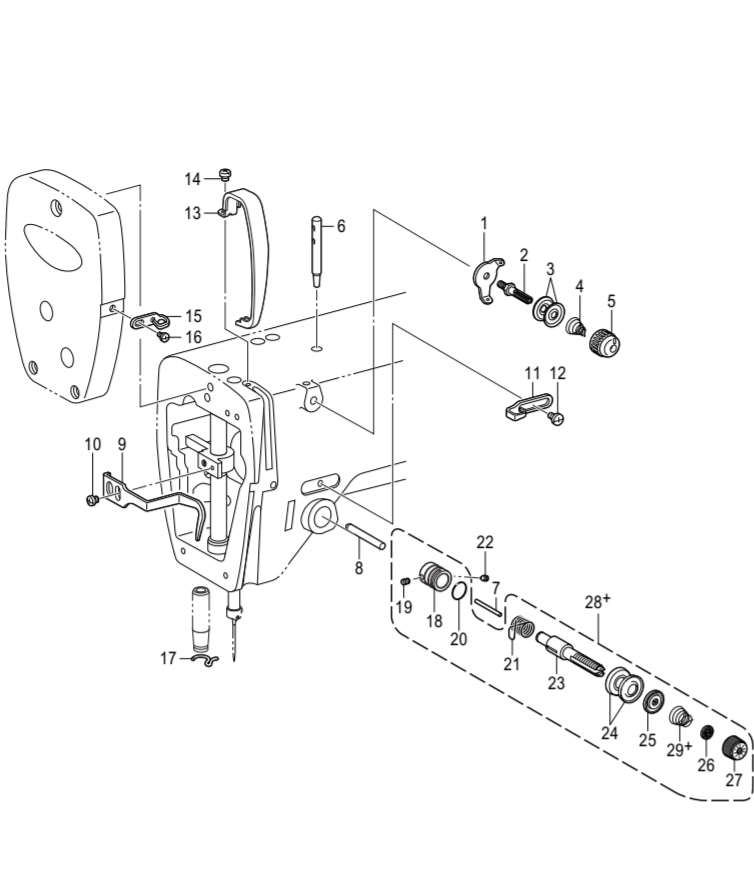
J. 膝控提升装置 / Knee lifter mechanism



SL-2110-203

Table with 4 columns: 参照号 (Ref ID), 零部件序号 (Part No), 数量 (Qty), 零部件名称 (Part Name), and NAME OF PARTS.

K. 穿线装置 / Threading mechanism

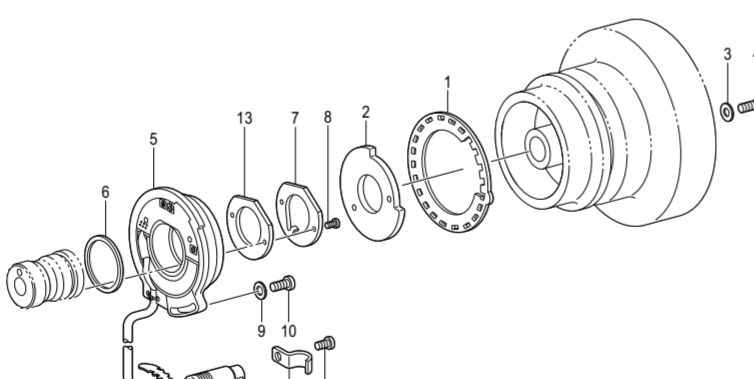


SL-2110-401

Table with 4 columns: 参照号 (Ref ID), 零部件序号 (Part No), 数量 (Qty), 零部件名称 (Part Name), and NAME OF PARTS.

Table with 4 columns: 参照号 (Ref ID), 零部件序号 (Part No), 数量 (Qty), 零部件名称 (Part Name), and NAME OF PARTS.

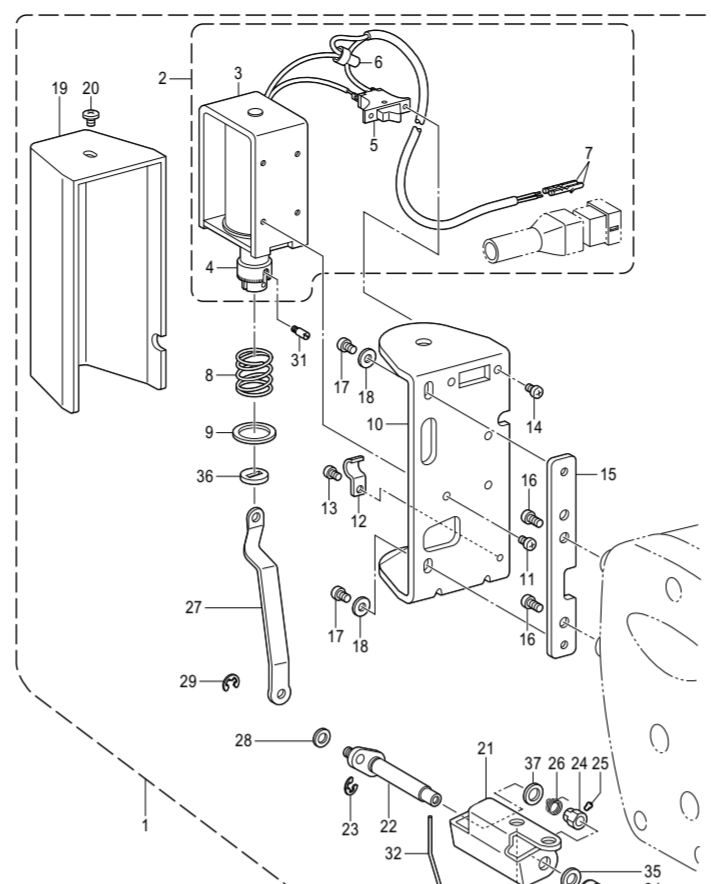
L. 针位检测装置 / Synchronizer



SL-2110-501

Table with 4 columns: 参照号 (Ref ID), 零部件序号 (Part No), 数量 (Qty), 零部件名称 (Part Name), and NAME OF PARTS.

M. 扫线装置 / Thread wiper mechanism

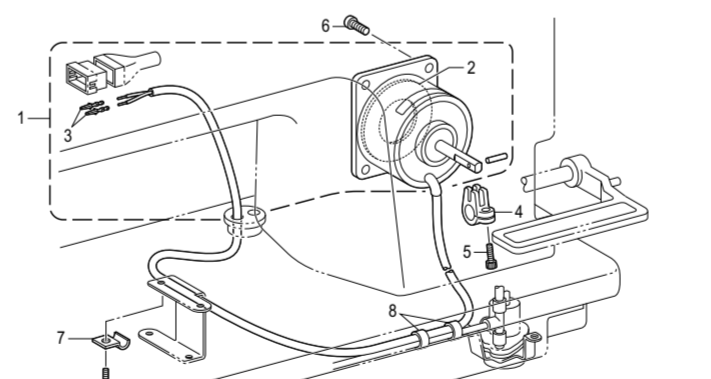


SL-2110-405

Table with 4 columns: 参照号 (Ref ID), 零部件序号 (Part No), 数量 (Qty), 零部件名称 (Part Name), and NAME OF PARTS.

Table with 4 columns: 参照号 (Ref ID), 零部件序号 (Part No), 数量 (Qty), 零部件名称 (Part Name), and NAME OF PARTS.

N. 倒缝装置 / Quick reverse mechanism

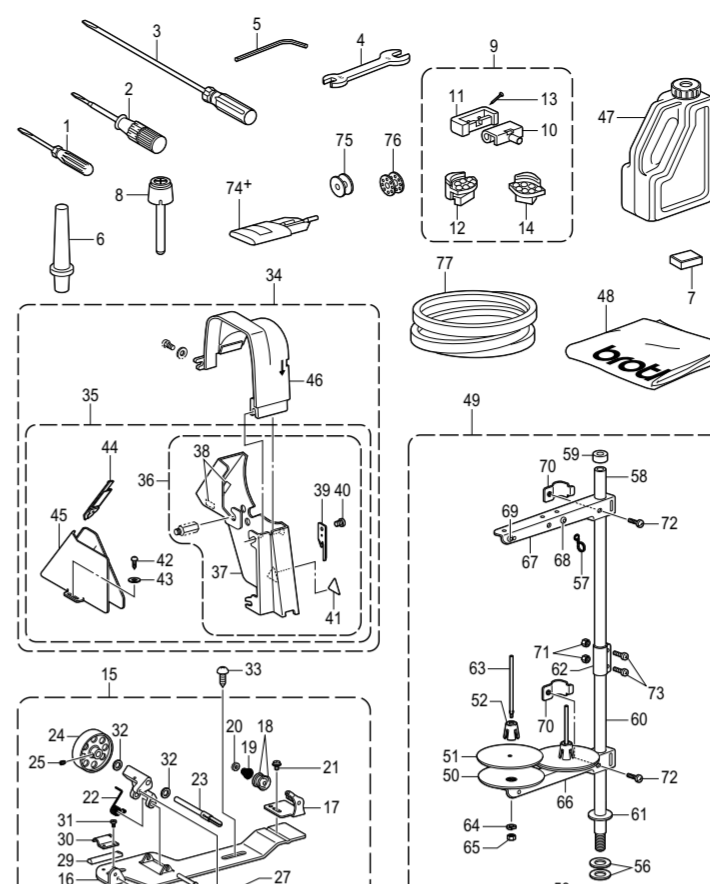


SL-2110-205

Table with 4 columns: 参照号 (Ref ID), 零部件序号 (Part No), 数量 (Qty), 零部件名称 (Part Name), and NAME OF PARTS.

Table with 4 columns: 参照号 (Ref ID), 零部件序号 (Part No), 数量 (Qty), 零部件名称 (Part Name), and NAME OF PARTS.

P. 附件 / Accessories



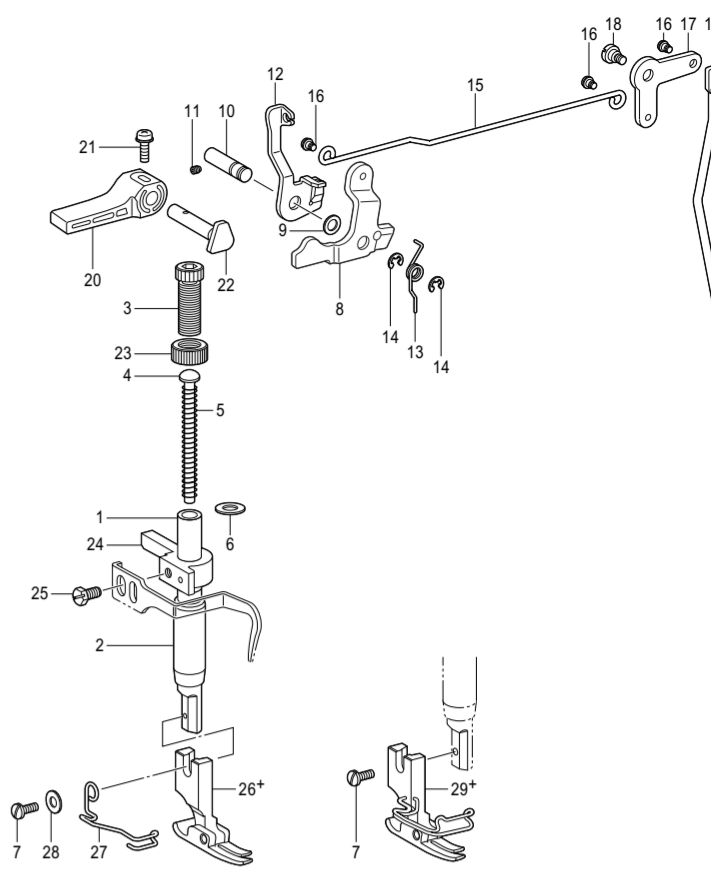
SL-2110-910

Table with 4 columns: 参照号 (Ref ID), 零部件序号 (Part No), 数量 (Qty), 零部件名称 (Part Name), and NAME OF PARTS.

Table with 4 columns: 参照号 (Ref ID), 零部件序号 (Part No), 数量 (Qty), 零部件名称 (Part Name), and NAME OF PARTS.

Table with 4 columns: 参照号 (Ref ID), 零部件序号 (Part No), 数量 (Qty), 零部件名称 (Part Name), and NAME OF PARTS.

Q. 压脚装置 / Presser foot mechanism



SL-2110-201

Table with 4 columns: 参照号 (Ref ID), 零部件序号 (Part No), 数量 (Qty), 零部件名称 (Part Name), and NAME OF PARTS.

Table with 4 columns: 参照号 (Ref ID), 零部件序号 (Part No), 数量 (Qty), 零部件名称 (Part Name), and NAME OF PARTS.

Wa. 警告标签 / WARNING LABELS

Table with 4 columns: 警告标签 / Warning labels, 零部件名称 / Name of parts, 尺寸 / Size (mm), and 零部件序号 / Code.

Ga. 工模具一览表 / Gauge parts list

Table with 5 columns: 规格 / Specification, 出口国 / Destination, 针板 / Needle plate, 送料牙 / Feed dog, and 压脚组件 / Presser foot assembly.