

Teileliste und Näheinrichtungen
Spare Parts List and Sewing Equipment

556



Teileliste und Näheinrichtungen Spare Parts List and Sewing Equipment

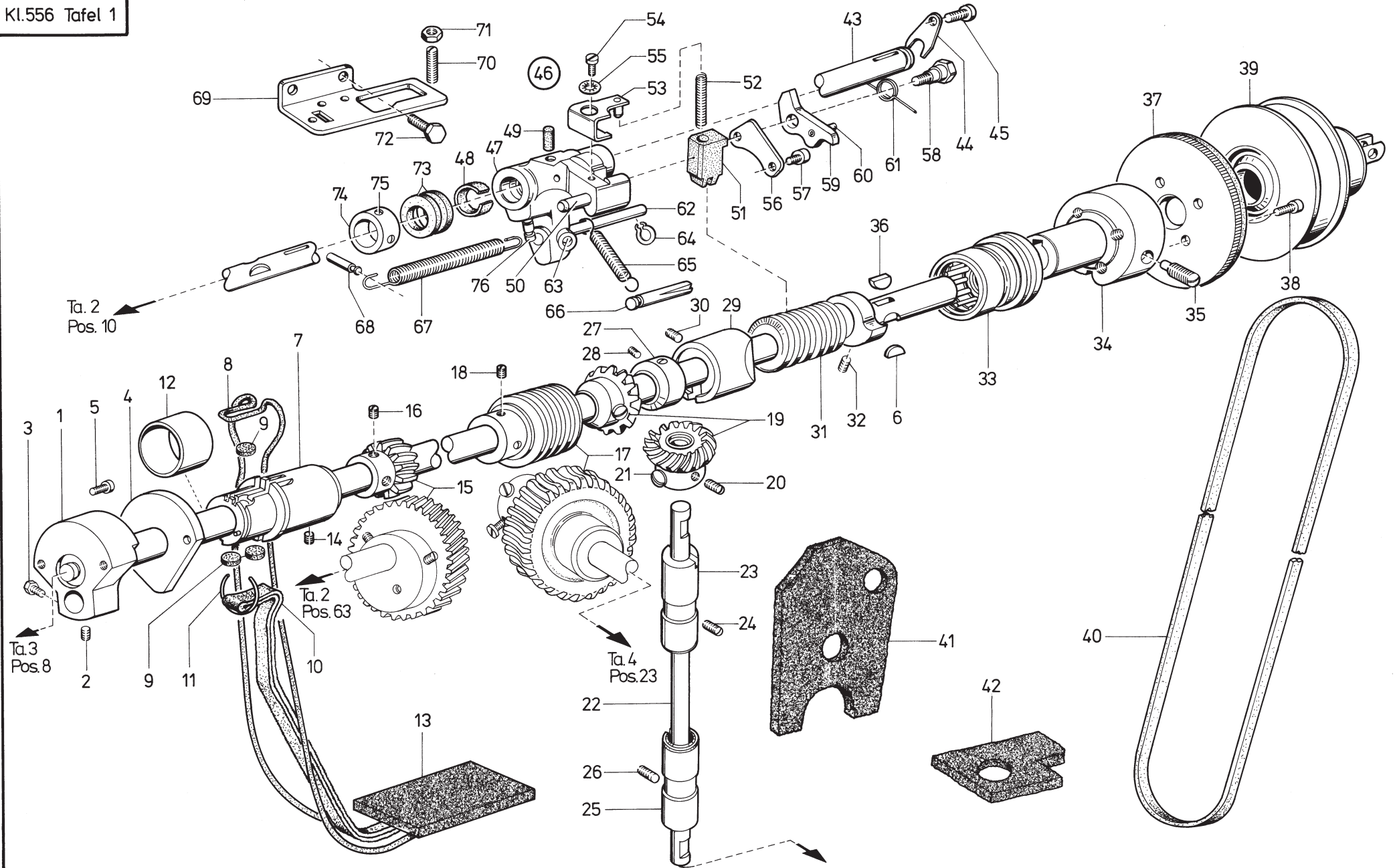
556

Inhaltsübersicht

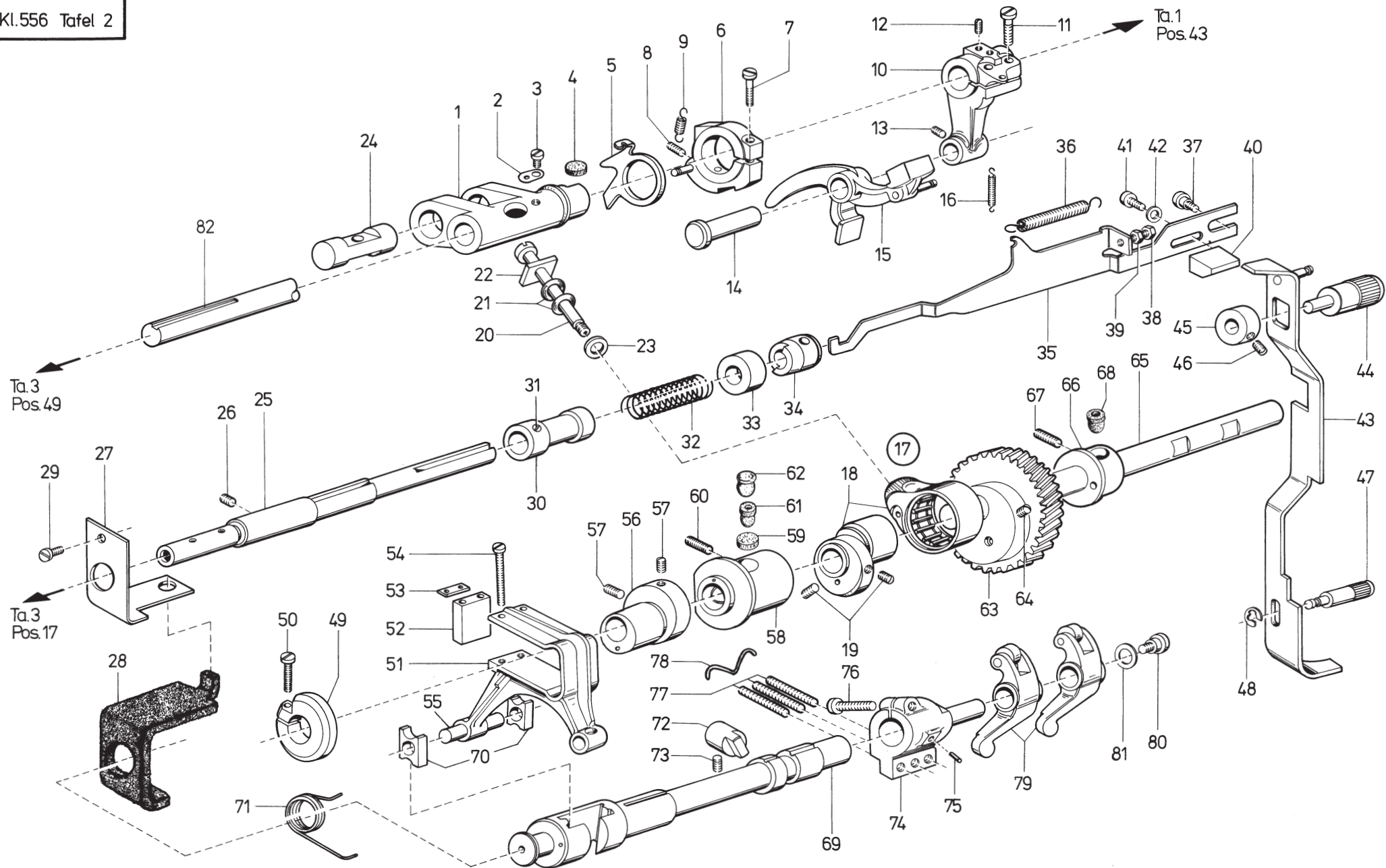
| | |
|------------------|---|
| Grundtype | Tafel 1–17, 19 |
| Fußtritte | Tafel 18 |
| Greifer | Tafel 20 |
| Beipack | Tafel 21 |
| Lehren | Tafel 22, 42 |
| Anschläge | Tafel 23, 24 |
| Fadenöler | Tafel 25 |
| Zählwerk | Tafel 26 |
| Nadelkühlung | Tafel 26 |
| Lampen | Tafel 25a |
| Wechselradtable | Tafel 54 |
| 556-1101 | Tafel 1–17, 19, 27, 46 |
| 556-1106 | Tafel 1–17, 19, 28 |
| 556-5101 | Tafel 5, 6, 9–12, 29–42, 48 |
| 556-5121 | Tafel 5, 6, 9–12, 29–42, 48 |
| 556-11101 | Tafel 1–12, 14–17, 19, 43–46 |
| 556-202101 | Tafel 5, 6, 9–12, 29–32, 34–36, 42, 47, 48, 50–53 |
| 556-205101 | Tafel 5, 6, 9–12, 29–32, 34–37, 42, 48–53 |
| Näheinrichtungen | siehe Anhang |

Contents

| | |
|-----------------------------|---|
| Basic Type | Table 1–17, 19 |
| Pedals | Table 18 |
| Hook | Table 20 |
| Accessories | Table 21 |
| Gauges | Table 22, 42 |
| Stops | Table 23, 24 |
| Thread oilers | Table 25 |
| Counter | Table 26 |
| Needle cooling unit | Table 26 |
| Lamps | Table 25a |
| Table of change gear wheels | Table 54 |
| Cl. 556-1101 | Table 1–17, 19, 27, 46 |
| Cl. 556-1106 | Table 1–17, 19, 28 |
| Cl. 556-5101 | Table 5, 6, 9–12, 29–42, 48 |
| Cl. 556-5121 | Table 5, 6, 9–12, 29–42, 48 |
| Cl. 556-11101 | Table 1–12, 14–17, 19, 43–46 |
| Cl. 556-202101 | Table 5, 6, 9–12, 29–32, 34 36, 42, 47, 48, 50–53 |
| Cl. 556-205101 | Table 5, 6, 9–12, 29–32, 34–37, 42, 48–53 |
| Thread equipment | see Appendix |



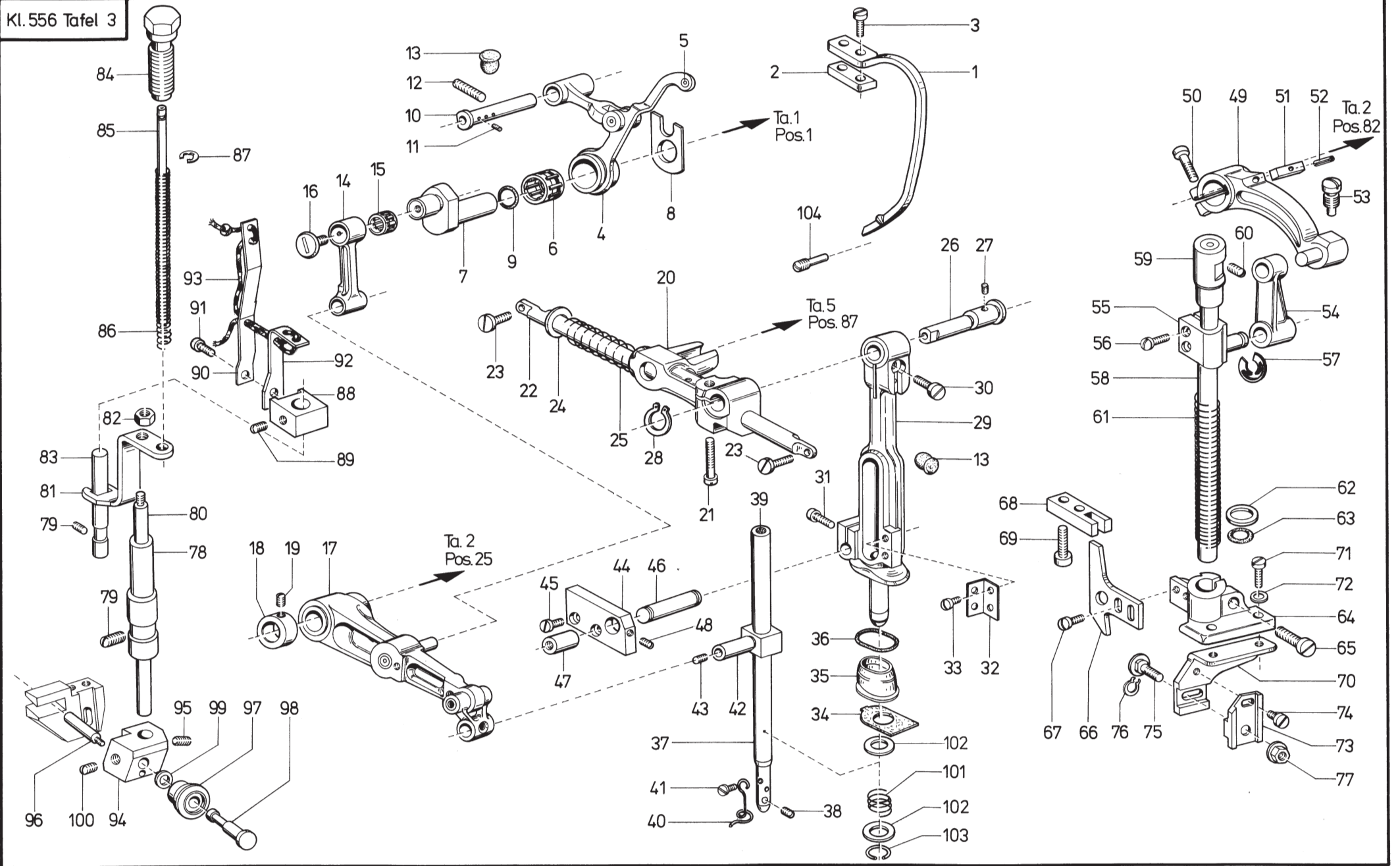
| Pos. Det. | Teile Nr. Part No. | Benennung | Denomination | Pos. Det. | Teile Nr. Part No. | Benennung | Denomination | Pos. Det. | Teile Nr. Part No. | Benennung | Denomination |
|-----------|--------------------|--|--|-----------|--------------------|---|--|-----------|--------------------|---------------------------|------------------------------|
| 1 | 55612 | Armwelle kpl. (mit Pos. 2, 3) | Arm shaft cpl. (with pos. 2, 3) | 34 | 55646 | Bremsstück (mit Pos. 35, 36) | Brake piece (with pos. 35, 36) | 71 | 2522389 | 6kt.-Mutter | Hexagonal nut |
| 2 | 223646 | Gewindestift | Threaded stud | 35 | 570495 | Gewindestift | Threaded stud | 72 | 216542 | 6kt.-Schraube | Hexagonal screw |
| 3 | 55617 | 6kt.-Schraube | Hexagonal screw | 36 | 570497 | Scheibenfeder | Disk spring | 73 | 7461495 | Ring | Ring |
| 4 | 55650 | Ring | Ring | 37 | 5561181 | Kupplungsscheibe | Clutch disk | 74 | 5561099k | Stelling (mit Pos. 75) | Set collar (with pos. 75) |
| 5 | 223676 | Zyl.-Schraube | Cyl. head screw | 38 | 5561184 | Zyl.-Schraube | Cyl. head screw | 75 | 42084 | Gewindestift | Threaded stud |
| 6 | 72313 | Scheibenfeder | Disk spring | 39 | 5561189 | Riemenscheibe | Belt disk | 76 | 5561069 | Rändelstift | Knurled pin |
| 7 | 55619 | Armlager kpl. (mit Pos. 8, 9, 10, 11, 12) | Arm shaft bearing cpl. (with pos. 8, 9, 10, 11, 12) | 40 | 5562065a | Antriebsriemen | Driving belt | | | | |
| 8 | 211194 | Öldocht | Oil wick | 41 | 556764 | Ölfilz | Oil felt | | | | |
| 9 | 240580 | Ölfilz | Oil felt | 42 | 5561379 | Filzteil | Felt | | | | |
| 10 | 55626 | Öldocht | Oil wick | 43 | 556288 | Welle | Shaft | | | | |
| 11 | 55627 | Federring | Spring ring | 44 | 556289 | Blech | Small sheet metal plate | | | | |
| 12 | 55628 | Ring | Ring | 45 | 702229 | Zyl.-Schraube | Cyl. head screw | | | | |
| 13 | 5567 | Filzteil | Felt | 46 | 5561064k | Auslösehebel kpl. (best. aus Pos. 47 und 50–61) | Releasing lever cpl. (consist. of pos. 47 and 50 up to 61) | | | | |
| 14 | 55633 | Gewindestift | Threaded stud | 47 | 5561064 | Auslösehebel (mit Pos. 48, 49 und 76) | Releasing lever (with pos. 48, 49 and 76) | | | | |
| 15 | 556201 | Zahnradpaar kpl. (mit Pos. 16 und Pos. 63, 64 auf Tafel 2) | Gear pair cpl. (with pos. 16 and pos. 63, 64 on table 2) | 48 | 5561066 | Filzteil | Felt | | | | |
| 16 | 223237 | Gewindestift | Threaded stud | 49 | 5561067 | Ölfilz | Oil felt | | | | |
| 17 | 556746 | Schneckentrieb kpl. (mit Pos. 18) | Worm gearing cpl. (with pos. 18) | 50 | 5561068a | Bolzen | Bolt | | | | |
| 18 | 223237 | Gewindestift | Threaded stud | 51 | 5561070 | Gewindebacken | Adjustable screw disc | | | | |
| 19 | 5561464 | Kegelradpaar kpl. (mit Pos. 20 und 21) | Pair of mating bevel wheels cpl. (with pos. 20 and 21) | 52 | 5561073 | Druckfeder | Pressure spring | | | | |
| 20 | 223237 | Gewindestift | Threaded stud | 53 | 5561074k | Federhalter | Spring holder | | | | |
| 21 | 5561469 | Zyl.-Schraube | Cyl. head screw | 54 | 739255 | Zyl.-Schraube | Cyl. head screw | | | | |
| 22 | 5561462 | Welle | Shaft | 55 | 96554 | Zahnscheibe | Tooth lock washer | | | | |
| 23 | 5561457 | Lager | Bearing | 56 | 5561076 | Führungsblech | Guide plate | | | | |
| 24 | 223245 | Gewindestift | Threaded stud | 57 | 5561077 | Zyl.-Schraube | Cyl. head screw | | | | |
| 25 | 5561459 | Lager | Bearing | 58 | 5561078 | Ansatzschraube | Shoulder screw | | | | |
| 26 | 5561093 | Gewindestift | Threaded stud | 59 | 5561080 | Klinke (mit Pos. 60) | Pawl (with pos. 60) | | | | |
| 27 | 570258 | Stelling kpl. (mit Pos. 28) | Set collar cpl. (with pos. 28) | 60 | 2653046 | Spannhülse | Clamping sleeve | | | | |
| 28 | 42084 | Gewindestift | Threaded stud | 61 | 5561084 | Drehfeder | Torsion spring | | | | |
| 29 | 55639 | Lager | Bearing | 62 | 5561086 | Zylinderstift | Strait pin | | | | |
| 30 | 223245 | Gewindestift | Threaded stud | 63 | 531471 | Gewindestift | Threaded stud | | | | |
| 31 | 5561061 | Schnecke (mit Pos. 32) | Worm (with pos. 32) | 64 | P121/150 | Greifring | Gripping ring | | | | |
| 32 | 223648 | Gewindestift | Threaded stud | 65 | 5561089 | Zugfeder | Draw spring | | | | |
| 33 | 55644 | Nadaxlager | Nadax needle bearing | 66 | 5561090 | Kerbstift | Grooved pin | | | | |
| | | | | 67 | 5561091 | Zugfeder | Draw spring | | | | |
| | | | | 68 | 5561092 | Kerbstift | Grooved pin | | | | |
| | | | | 69 | 5561095 | Anschlagwinkel | Stop square | | | | |
| | | | | 70 | 5561093 | Gewindestift | Threaded stud | | | | |



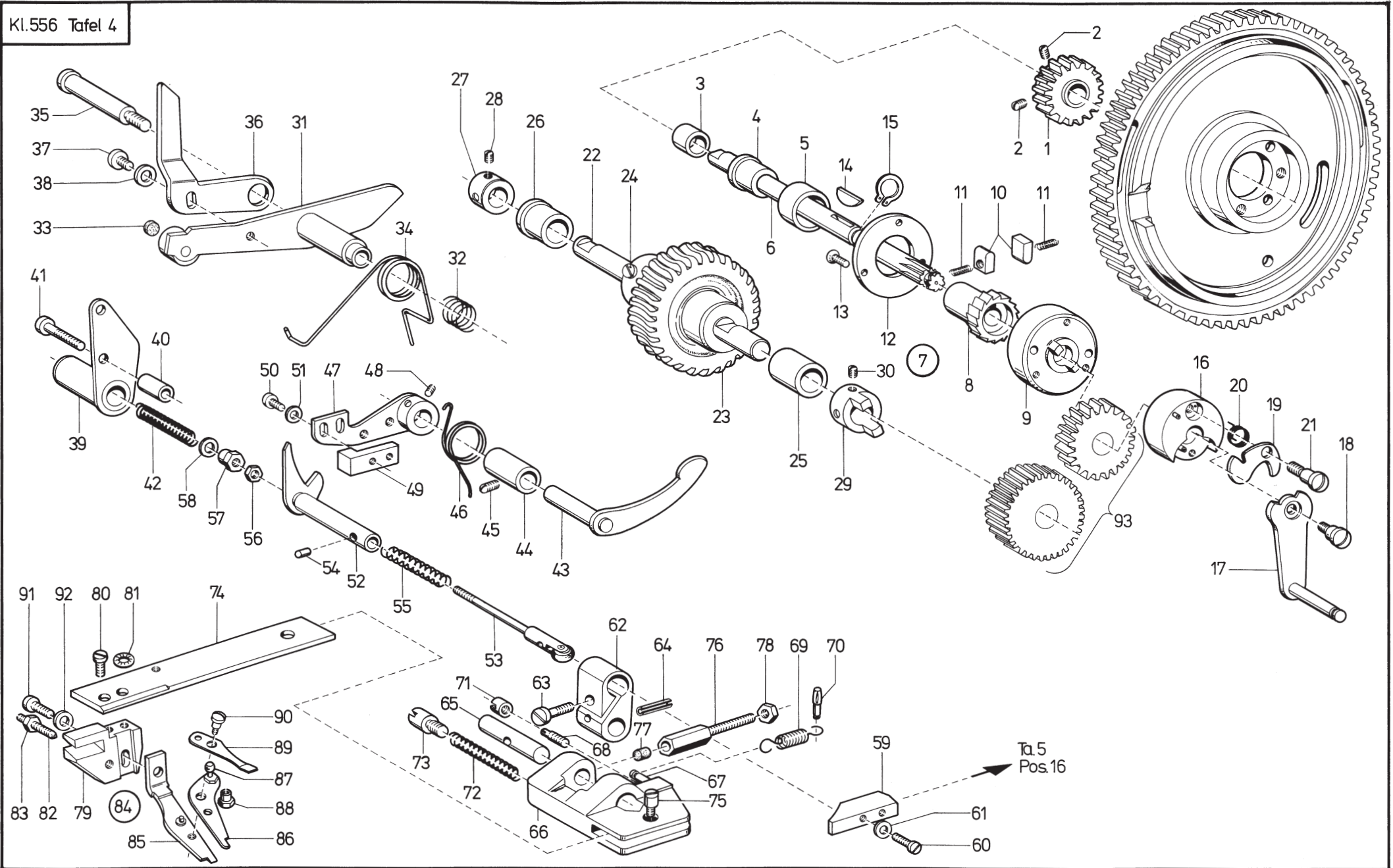
| Pos. Det. | Teile Nr. Part No. | Benennung | Denomination |
|-----------|--------------------|---|---|
| 1 | 556293 | Gabelhebel | Forked lever |
| 2 | 21181 | Dochthalteblech | Wick holder |
| 3 | 10019128 | Zyl.-Schraube | Cyl. head screw |
| 4 | 211305a | Ölfilz | Oil felt |
| 5 | 556301 | Sperrung | Stop-work |
| 6 | 556302 | Mitnehmer (mit Pos. 7, 8) | Catch driver (with pos. 7, 8) |
| 7 | 57044 | Zyl.-Schraube | Cyl. head screw |
| 8 | 556307 | Gewindestift | Threaded stud |
| 9 | 556309 | Zugfeder | Draw spring |
| 10 | 556312 | Klemmhebel (mit Pos. 11, 12 u. 13) | Clamping lever (with pos. 11, 12 and 13) |
| 11 | 216658 | Zyl.-Schraube | Cyl. head screw |
| 12 | 556307 | Gewindestift | Threaded stud |
| 13 | 223237 | Gewindestift | Threaded stud |
| 14 | 556318 | Bolzen | Bolt |
| 15 | 556321 | Klinke | Pawl |
| 16 | 556324 | Zugfeder | Draw spring |
| 17 | 556277 | Zugstange kpl. (best. aus Pos. 18 bis 23) | Traction rod cpl. (cons. of pos. 18 up to 23) |
| 18 | 556278 | Zugstangenlager (mit Pos. 19) | Traction rod bearing (with pos. 19) |
| 19 | 223652 | Gewindestift | Threaded stud |
| 20 | 556282 | Zugbolzen | Tie bolt |
| 21 | 556283 | Tellerfeder | Cup spring |
| 22 | 556284 | Führungsplatte | Guide plate |
| 23 | 556286 | Scheibe | Washer |
| 24 | 556285 | Bolzen | Bolt |
| 25 | 55698k | Achse | Axle |
| 26 | 216209 | Gewindestift | Threaded stud |
| 27 | 556100 | Winkel | Square |
| 28 | 556101 | Filzteil | Felt |
| 29 | 223700 | Zyl.-Schraube | Cyl. head screw |
| 30 | 556428 | Buchse (mit Pos. 31) | Bush (with pos. 31) |
| 31 | 570300 | Gewindestift | Threaded stud |
| 32 | 556381 | Feder | Spring |
| 33 | 556382 | Schaltring (groß) | Operating ring (large) |
| 34 | 556383 | Schaltring (klein) | Operating ring (small) |
| 35 | 556384 | Verbindg.-Lasche | Connecting shackle |
| 36 | 5601747 | Zugfeder | Draw spring |
| 37 | 10019140 | Ansatzschraube | Shoulder screw |
| 38 | 556387 | 6kt.-Schraube | Hexagonal screw |
| 39 | 211198 | 6kt.-Mutter | Hexagonal nut |

| Pos. Det. | Teile Nr. Part No. | Benennung | Denomination |
|-----------|--------------------|---|---|
| 40 | 556389 | Sperrnocken | Blocking cam |
| 41 | 223676 | Zyl.-Schraube | Cyl. head screw |
| 42 | 5691895 | Scheibe | Washer |
| 43 | 5561161 | Auslösestange | Releasing bar |
| 44 | 5561166 | Rändelbolzen | Knurled bolt |
| 45 | 5561167 | Stelling (mit Pos. 46) | Set collar (with pos. 46) |
| 46 | 531471 | Gewindestift | Threaded stud |
| 47 | 5561169 | Rändelbolzen | Knurled bolt |
| 48 | 570138 | Sicher.-Scheibe | Lock washer |
| 49 | 556221 | Klemmring (mit Pos. 50) | Clamping ring (with pos. 50) |
| 50 | 216609 | Zyl.-Schraube | Cyl. head screw |
| 51 | 556224 | Gabel kpl. (mit Pos. 52–55) | Fork cpl. (with pos. 52–55) |
| 52 | 556227 | Stütze | Support |
| 53 | 556228e | Paßstück | Intermediary |
| 54 | 739404 | Zyl.-Schraube | Cyl. head screw |
| 55 | 556230 | Bolzen | Bolt |
| 56 | 556216 | Dreieckexzenter (mit Pos. 57) | Triangular eccentric (with pos. 57) |
| 57 | 223652 | Gewindestift | Threaded stud |
| 58 | 556173 | Lager (mit Pos. 59) | Bearing (with pos. 59) |
| 59 | 211305a | Ölfilz | Oil felt |
| 60 | 5561093 | Gewindestift | Threaded stud |
| 61 | 21113 | Kunststoffmuffe | Plastic sleeve |
| 62 | 10011162 | Verschl.-Stopfen | Sealing plug |
| 63 | 556201 | Zahnradpaar (mit Pos. 64, und auf Tafel 1: Pos. 15, 16) | Gear pair cpl. (with pos. 64 and on table 1: pos. 15, 16) |
| 64 | 223652 | Gewindestift | Threaded stud |
| 65 | 556171 | Welle | Shaft |
| 66 | 556194 | Lager | Bearing |
| 67 | 5561093 | Gewindestift | Threaded stud |
| 68 | 21113 | Kunststoffmuffe | Plastic sleeve |
| 69 | 556233 | Stichst.-Kulisse (mit Pos. 70) | Stitch regulator crank (with pos. 70) |
| 70 | 21188 | Gleitstein | Sliding block |
| 71 | 556237 | Drehfeder | Torsion spring |
| 72 | 556238 | Führungsbolzen | Guide bolt |
| 73 | 21642 | Gewindestift | Threaded stud |
| 74 | 556245 | Rollenbock (mit Pos. 75, 76) | Roller bracket (with pos. 75, 76) |

| Pos. Det. | Teile Nr. Part No. | Benennung | Denomination |
|-----------|--------------------|---------------|-----------------|
| 75 | 216346 | Stift | Pin |
| 76 | 21131 | Zyl.-Schraube | Cyl. head screw |
| 77 | 570664 | Gewindestift | Threaded stud |
| 78 | 556251 | Arretierfeder | Stop spring |
| 79 | 556252 | Rollenhebel | Roller lever |
| 80 | 10019108 | Zyl.-Schraube | Cyl. head screw |
| 81 | 420362 | Federscheibe | Spring washer |
| 82 | 556288 | Welle | Shaft |

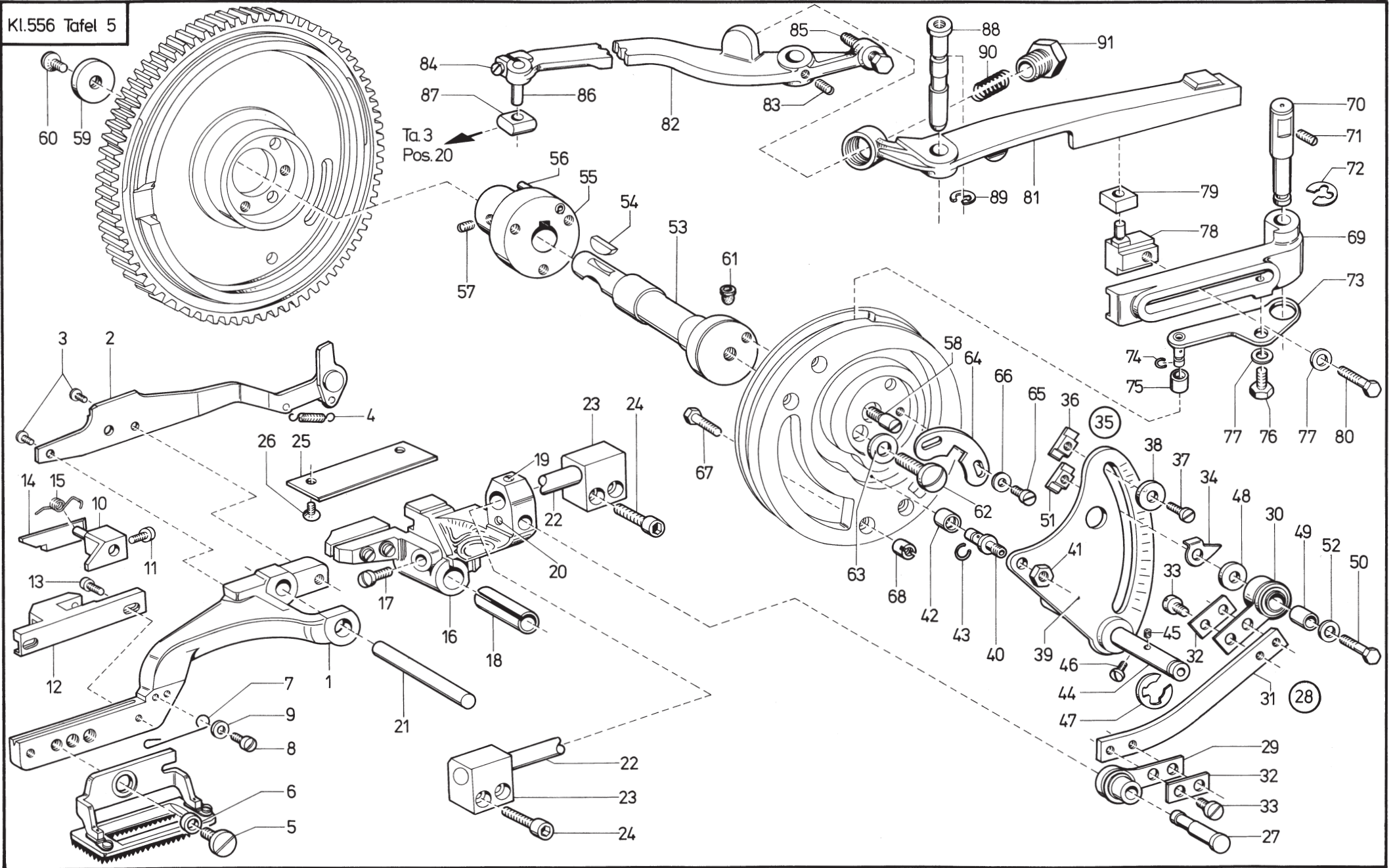


| Pos. Det. | Teile Nr. Part No. | Benennung | Denomination | Pos. Det. | Teile Nr. Part No. | Benennung | Denomination | Pos. Det. | Teile Nr. Part No. | Benennung | Denomination |
|-----------|--------------------|---|--|-----------|--------------------|--|--|-----------|--------------------|---------------------------------|---------------------------------|
| 1 | 570109 | Fad.-Hebelschutz | Thread lever protector | 37 | 556144 | Nadelstange (mit Pos. 38, 39, 40, 41) | Needle bar (with pos. 38, 39, 40, 41) | 75 | 556374 | Bolzen | Bolt |
| 2 | 55681 | Platte | Plate | 38 | 556148 | Gewindestift | Threaded stud | 76 | 420613 | Sicher.-Scheibe | Lock washer |
| 3 | 55680 | Zyl.-Schraube | Cyl. head screw | 39 | 57010007 | Gummistopfen | Rubber plug | 77 | 556377 | Mutter kpl. | Nut cpl. |
| 4 | 55657 | Fadenhebel (mit Pos. 5) | Thread lever (with pos. 5) | 40 | 556150 | Fadenöse | Thread eye | 78 | 556421 | Stoffstg.-Buchse | Cloth pressure bar bush |
| 5 | 55663 | Buchse | Bush | 41 | 27079 | Zyl.-Schraube | Cyl. head screw | 79 | 902140 | Gewindestift | Threaded stud |
| 6 | 55671 | Nadelkäfig | Needle cage | 42 | 556151 | Kreuzkopf (mit Pos. 43) | Cross head (with pos. 43) | 80 | 556424 | Stoffstange | Cloth pressure bar |
| 7 | 55653 | Kurbelzapfen | Crank pin | 43 | 5411395 | Gewindestift | Threaded stud | 81 | 556426 | Führungsstück | Guide piece |
| 8 | 55655 | Anlageplatte | Lay-on plate | 44 | 556161 | Anlageplatte | Lay-on plate | 82 | 212232 | 6kt.-Mutter | Hexagonal nut |
| 9 | 216224 | Gummiring | Rubber ring | 45 | 21698 | Zyl.-Schraube | Cyl. head screw | 83 | 556431 | Führungsbolzen | Guide bolt |
| 10 | 55673 | Lagerbolzen (mit Pos. 11) | Bearing bolt (with pos. 11) | 46 | 556156 | Führungsbolzen | Guide bolt | 84 | 556435 | Regulierbuchse | Regulating bush |
| 11 | 265704 | Ölfilz | Oil felt | 47 | 265151 | Führungsbolzen | Guide bolt | 85 | 556434 | Federführung | Spring guidance |
| 12 | 55678 | Gewindestift | Threaded stud | 48 | 223669 | Gewindestift | Threaded stud | 86 | 556433 | Druckfeder | Pressure spring |
| 13 | 2117 | Verschlusskappe | Sealing cap | 49 | 556327 | Hebel (mit Pos. 50, 51, 52) | Lever (with pos. 50, 51, 52) | 87 | 255129 | Sicher.-Scheibe | Safety washer |
| 14 | 55614984 | Nadelzugstange | Needle draw bar | 50 | 650347 | Zyl.-Schraube | Cyl. head screw | 88 | 556437 | Kloben (mit Pos. 89, 90, 91) | Block (with pos. 89, 90, 91) |
| 15 | 265106 | Nadelkäfig | Needle cage | 51 | 556332 | Paßfeder | Feather key | 89 | 5411395 | Gewindestift | Threaded stud |
| 16 | 211398 | Deckschraube | Cover screw | 52 | 902190 | Spannstift | Dowel pin | 90 | 55614999 | Blech | Sheet metal plate |
| 17 | 55688 | Hebel | Lever | 53 | 556334 | Linsenschraube | Fillister head screw | 91 | 57010725 | Zyl.-Schraube | Cyl. head screw |
| 18 | 556103 | Stellring (mit Pos. 19) | Set collar (with pos. 19) | 54 | 556336 | Gelenk | Link | 92 | 556440 | Dochthalter | Wick holder |
| 19 | 70220 | Gewindestift | Threaded stud | 55 | 556341 | Kloben (mit Pos. 56) | Block (with pos. 56) | 93 | 21183 | Öldocht | Oil wick |
| 20 | 556111 | Schieber (mit Pos. 21) | Slide (with pos. 21) | 56 | 556343 | Linsenschraube | Fillister head screw | 94 | 556441 | Kloben (mit Pos. 95) | Block (with pos. 95) |
| 21 | 902429 | Zyl.-Schraube | Cyl. head screw | 57 | 93002119 | Sicher.-Scheibe | Lock washer | 95 | 223648 | Gewindestift | Threaded stud |
| 22 | 556107 | Achse | Axle | 58 | 556347 | Messerstange | Knife rod | 96 | 556443 | Schaftschraube | Headless screw |
| 23 | 902602 | Zyl.-Schraube | Cyl. head screw | 59 | 556348 | Buchse | Bush | 97 | 556445 | Führungsrolle | Guide roll |
| 24 | 10059201 | Scheibe | Washer | 60 | 21652 | Gewindestift | Threaded stud | 98 | 556446 | Bolzen | Bolt |
| 25 | 556110 | Druckfeder | Pressure spring | 61 | 556351 | Druckfeder | Pressure spring | 99 | 9336274 | Scheibe | Washer |
| 26 | 556115 | Exzenterbolzen (mit Pos. 27) | Eccentric bolt (with pos. 27) | 62 | 556352 | Scheibe | Washer | 100 | 223237 | Gewindestift | Threaded bolt |
| 27 | 211647 | Ölfilz | Oil felt | 63 | 556353 | O-Ring | O-ring | 101 | 265136 | Druckfeder | Pressure spring |
| 28 | 5701174 | Greifring | Gripping ring | 64 | 556355 | Messerstg.-Kloben (mit Pos. 65) | Knife bar block (with pos. 65) | 102 | 216216 | Scheibe | Washer |
| 29 | 556121 | Nadelst.-Kulisse (mit Pos. 30, 31, 32, 33) | Needle bar crank (with pos. 30, 31, 32, 33) | 65 | 556357 | Zyl.-Schraube | Cyl. head screw | 103 | 265138 | Sprengring | Retaining ring |
| 30 | 213370 | Zyl.-Schraube | Cyl. head screw | 66 | 556359 | Führungsleiste | Guidance reglet | 104 | 556958 | Gewindestift (zu Pos. 1) | Threaded stud (to pos. 1) |
| 31 | 556125 | Zyl.-Schraube | Cyl. head screw | 67 | 21688 | Linsenschraube | Fillister head screw | | | | |
| 32 | 556135 | Winkel | Angle | 68 | 556361 | Führungsgabel | Guidance fork | | | | |
| 33 | 5572301 | Zyl.-Schraube | Cyl. head screw | 69 | 246984 | Zyl.-Schraube | Cyl. head screw | | | | |
| 34 | 556128 | Platte | Plate | 70 | 556366 | Messerträger | Knife carrier | | | | |
| 35 | 556141 | Ölschutzkappe | Oil protecting cap | 71 | 570912 | Zyl.-Schraube | Cyl. head screw | | | | |
| 36 | 911290 | Gummiring | Rubber ring | 72 | 531460 | Scheibe | Washer | | | | |
| | | | | 73 | 556370 | Messerhalter | Knife holder | | | | |
| | | | | 74 | 10019128 | Zyl.-Schraube | Cyl. head screw | | | | |



Ta.5
Pos.16

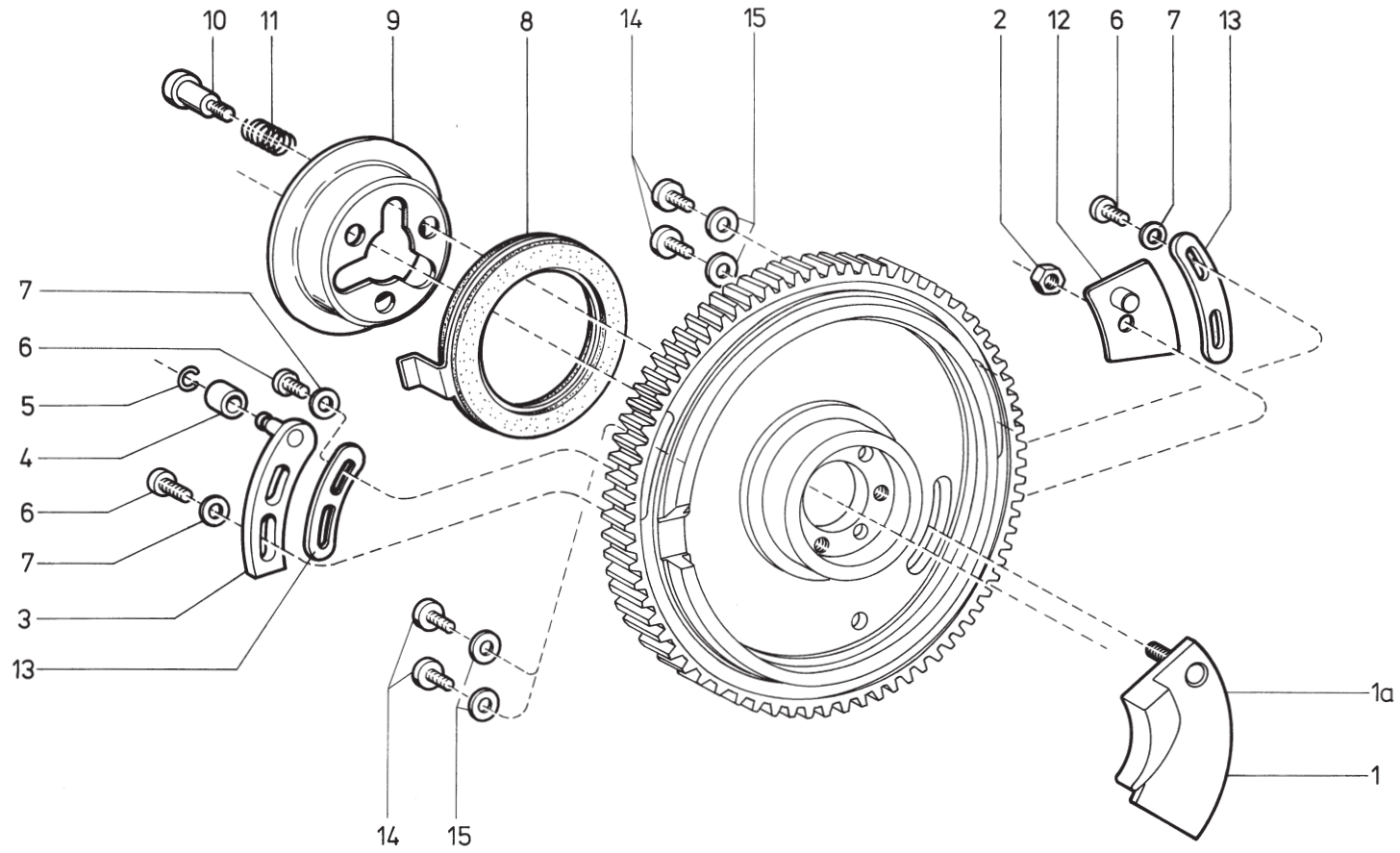
| Pos. Det. | Teile Nr. Part No. | Benennung | Denomination | Pos. Det. | Teile Nr. Part No. | Benennung | Denomination | Pos. Det. | Teile Nr. Part No. | Benennung | Denomination |
|-----------|--------------------|---|--|-----------|--------------------|-------------------------------------|--|-----------|--------------------|---|--|
| 1 | 556698 | Zahnrad (mit Pos. 2) | Gear wheel (with pos. 2) | 36 | 556820 | Sicherungshebel | Safety lever | 76 | 556885k | Anschlg. Schraube (mit Pos. 77) | Stop screw (with pos. 77) |
| 2 | 21652 | Gewindestift | Threaded stud | 37 | 5561313 | Zyl.-Schraube | Cyl. head screw | 77 | 556885a | Puffer | Buffer |
| 3 | 556701 | Buchse | Bush | 38 | 556821a | Scheibe | Washer | 78 | 2522389 | 6kt.-Mutter | Hexagonal nut |
| 4 | 556702 | Buchse | Bush | 39 | 556822 | Deckblech | Cover plate | 79 | 556878 | Führung | Guidance |
| 5 | 556703 | Buchse | Bush | 40 | 556824 | Distanzhülse | Distance sleeve | 80 | 216123 | Zyl.-Schraube | Cyl. head screw |
| 6 | 556706 | Welle | Shaft | 41 | 211373 | Zyl.-Schraube | Cyl. head screw | 81 | 7442380 | Zahnscheibe | Tooth lock washer |
| 7 | 556707 | Sperrgetriebe kpl. (best. aus Pos. 8, 9, 10, 11, 12, 13) | Ratchet locking mechanism (cons. of pos. 8, 9, 10, 11, 12, 13) | 42 | 556827 | Druckfeder | Pressure spring | 82 | 556880 | Gewindestift | Threaded stud |
| 8 | 556708 | Sperrad | Ratchet wheel | 43 | 556831 | Hebel | Lever | 83 | MG8/7d | 6kt.-Mutter | Hexagonal nut |
| 9 | 556709 | Gehäuse | Housing | 44 | 556828 | Buchse | Bush | 84 | 556887 | Schere kpl. (best. aus Pos. 85, 86, 87, 88, 89, 90) | Scissors cpl. (cons. of pos. 85, 86, 87, 88, 89, 90) |
| 10 | 556710 | Sperr | Stop work | 45 | 223245 | Gewindestift | Threaded stud | 85 | 556888 | Untermesser | Lower knife |
| 11 | 38095 | Feder | Spring | 46 | 556840 | Drehfeder | Torsion spring | 86 | 556891 | Obermesser (mit Pos. 87, 88) | Upper knife (with pos. 87, 88) |
| 12 | 556712 | Abdeckring | Cover ring | 47 | 556835 | Sperrhebel (mit Pos. 48) | Catch lever (with pos. 48) | 87 | 556893 | Kugelbolzen | Ball pin |
| 13 | 90297 | Senkschraube | Countersunk screw | 48 | 421222 | Gewindestift | Threaded stud | 88 | 556898 | 6kt.-Mutter | Hexagonal nut |
| 14 | 902322 | Scheibenfeder | Disk spring | 49 | 556841 | Kloben | Block | 89 | 556894 | Fadenklemmblech | Thread clamping plate |
| 15 | 211109 | Sicher.-Scheibe | Lock washer | 50 | 21698 | Zyl.-Schraube | Cyl. head screw | 90 | 556895 | Ansatzschraube | Shoulder screw |
| 16 | 556723 | Handkurbel kpl. (mit Pos. 17, 18, 19, 20, 21) | Crank handle cpl. (with pos. 117, 18, 19, 20, 21) | 51 | 5691895 | Scheibe | Washer | 91 | 556897 | Zyl.-Schraube | Cyl. head screw |
| 17 | 556729 | Kurbelarm | Crank arm | 52 | 556846 | Klinke (mit Pos. 53, 54, 55) | Pawl (with pos. 53, 54, 55) | 92 | 024275 | Scheibe | Washer |
| 18 | 10019108 | Ansatzschraube | Shoulder screw | 53 | 556851k | Federbolzen | Spring bolt | 93 | | siehe Wechselradtable Tafel 55! | see Table of change gear wheels Table 54 ! |
| 19 | 556736 | Sperrstück | Blocking piece | 54 | 211519 | Kerbstift | Grooved pin | | | | |
| 20 | 556737 | Drehfeder | Torsion spring | 55 | 556852 | Druckfeder | Pressure spring | | | | |
| 21 | 556738 | Ansatzschraube | Shoulder screw | 56 | 202704 | 6kt.-Mutter | Hexagonal nut | | | | |
| 22 | 556744 | Welle | Shaft | 57 | 556854 | 6kt.-Mutter | Hexagonal nut | | | | |
| 23 | 556746 | Schneckentrieb kpl. (mit Pos. 24 und auf Tafel 1 Pos. 17, 18) | Worm gearing cpl. (with pos. 24 and on table 1 pos. 17, 18) | 58 | 556855 | Scheibe | Washer | | | | |
| 24 | 556584 | Zyl.-Schraube | Cyl. head screw | 59 | 556856 | Schaltnocken | Trip cam | | | | |
| 25 | 556741 | Lagerbuchse | Bearing bush | 60 | 21646 | Zyl.-Schraube | Cyl. head screw | | | | |
| 26 | 556702 | Lagerbuchse | Bearing bush | 61 | 5691895 | Scheibe | Washer | | | | |
| 27 | 558156k | Stellring (mit Pos. 28) | Set collar (with pos. 28) | 62 | 556861 | Klemmstück (mit Pos. 63, 64, 65) | Clamping piece (with pos. 63, 64, 65) | | | | |
| 28 | 147203 | Gewindestift | Threaded stud | 63 | 216658 | Zyl.-Schraube | Cyl. head screw | | | | |
| 29 | 556759 | Stellring (mit Pos. 30) | Set collar (with pos. 30) | 64 | 93019210 | Spannhülse | Clamping sleeve | | | | |
| 30 | 5411395 | Gewindestift | Threaded stud | 65 | 556865 | Achse | Axle | | | | |
| 31 | 556811 | Hebel | Lever | 66 | 556867 | Führungsstück (mit Pos. 67) | Guidance (with pos. 67) | | | | |
| 32 | 556814 | Druckfeder | Pressure spring | 67 | 211511 | Kerbstift | Grooved pin | | | | |
| 33 | 556817 | Gleitstück | Slider | 68 | 556870 | Gewindestift | Threaded stud | | | | |
| 34 | 556819a | Drehfeder | Torsion spring | 69 | 556871 | Zugfeder | Draw spring | | | | |
| 35 | 556818 | Ansatzschraube | Shoulder screw | 70 | 5695079 | Kerbstift | Grooved pin | | | | |
| | | | | 71 | 556873a | Mutter | Nut | | | | |
| | | | | 72 | 556874 | Druckfeder | Pressure spring | | | | |
| | | | | 73 | 556875 | Zapfenschraube | Pilot screw | | | | |
| | | | | 74 | 556876 | Führungsleiste | Guide reglet | | | | |
| | | | | 75 | 556877 | Zapfenschraube | Pilot screw | | | | |

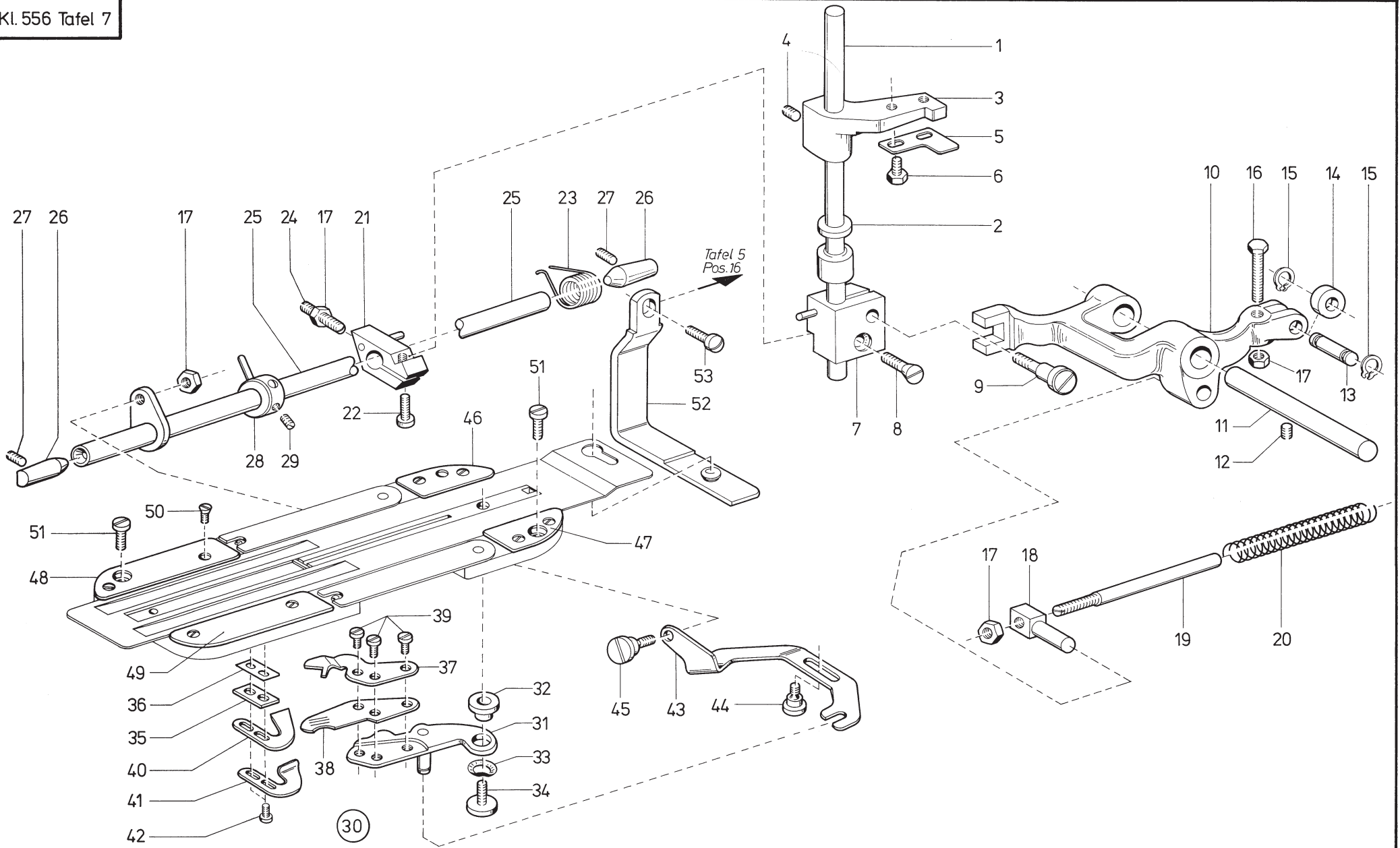


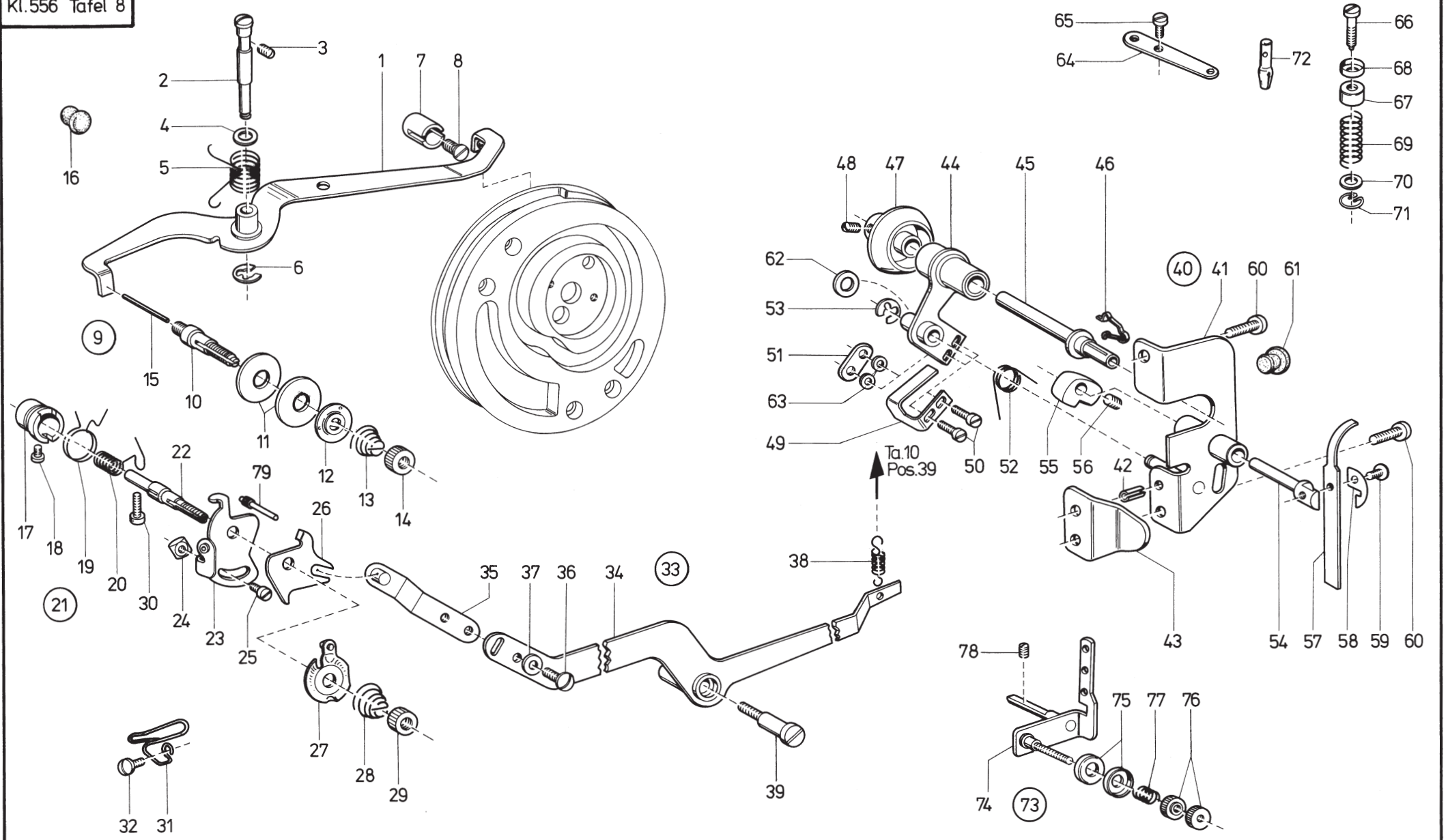
| Pos. Det. | Teile Nr. Part No. | Benennung | Denomination |
|--------------|-----------------------|---|--|
| 1 | 556452 | Hebel | Lever |
| 2 | 556453 | Lasche | Shackle |
| 3 | 10019142 | Senkschraube | Countersunk screw |
| 4 | 565874 | Zugfeder | Draw spring |
| 5 | 556456 | Zyl.-Schraube | Cyl. head screw |
| 6 | 556457 | Distanzscheibe | Distance washer |
| 7 | 556458 | Feder | Spring |
| 8 | 216573 | Zyl.-Schraube | Cyl. head screw |
| 9 | 5691895 | Scheibe | Washer |
| 10 | 556899 | Kloben (mit Pos. 11) | Block (with pos. 11) |
| 11 | 5572301 | Zyl.-Schraube | Cyl. head screw |
| 12 | 556901 | Anschlagleiste | Stop reglet |
| 13 | 223676 | Zyl.-Schraube | Cyl. head screw |
| 14 | 556903k | Klinke | Pawl |
| 15 | 556909 | Drehfeder | Torsion spring |
| 16 | 556541 | Läng.-Sch.-Bock (mit Pos. 17, 18, 19, 20) | Logitudinal slide bracket (with pos. 17, 18, 19, 20) |
| 17 | 902159 | Zyl.-Schraube | Cyl. head screw |
| 18 | 556546 | Klemmhülse | Clamping sleeve |
| 19 | 421222 | Gewindestift | Threaded stud |
| 20 | 70220 | Gewindestift | Threaded stud |
| 21 | 556545 | Achse | Axle |
| 22 | 556548 | Achse | Axle |
| 23 | 556552 | Gleitlager | Slide bearing |
| 24 | 7441236 | Zyl.-Schraube | Cyl. head screw |
| 25 | 556554 | Führungsleiste | Guide reglet |
| 26 | 556555 | Senkschraube | Countersunk screw |
| 27 | 556556 | Bolzen | Bolt |
| 28 | 556561a | Lasche kpl. (best. aus Pos. 29, 30, 31, 32, 33) | Shackle cpl. (consist. of pos. 29, 30, 31, 32, 33) |
| 29 | 556562a | Lager (links) | Left bearing |
| 30 | 556567 | Lager (rechts) | Right bearing |
| 31 | 556569 | Lasche | Shackle |
| 32 | 556570 | Unterlegblech | Spacer |
| 33 | 2231296 | Zyl.-Schraube | Cyl. head screw |
| 34 | 556566 | Einstellzeiger | Adjusting pointer |
| 35 | 556572 | Anschlag kpl. (best. aus Pos. 36, 37, 38) | Stop cpl. (cons. of pos. 36, 37, 38) |
| 36 | 556588 | Mutter | Nut |
| 37 | 911136 | Zyl.-Schraube | Cyl. head screw |

| Pos. Det. | Teile Nr. Part No. | Benennung | Denomination |
|--------------|-----------------------|---------------------------------------|---------------------------------------|
| 38 | 556574 | Scheibe | Washer |
| 39 | 556575 | Winkelhebel | Elbow lever |
| 40 | 556578k | Rollenbolzen (mit Pos. 41, 42, 43) | Roller bolt (with pos. 41, 42, 43) |
| 41 | 2113028 | 6kt.-Mutter | Hexagonal nut |
| 42 | 556579 | Rolle | Roll |
| 43 | 211395 | Sprengring | Retaining ring |
| 44 | 556581 | Achse | Axle |
| 45 | 265704 | Ölfilz | Oil felt |
| 46 | 556584 | Zyl.-Schraube | Cyl. head screw |
| 47 | 216656 | Sicher.-Ring | Retaining ring |
| 48 | 556585 | Scheibe | Washer |
| 49 | 556586 | Buchse | Bush |
| 50 | 556587 | 6kt.-Schraube | Hexagonal screw |
| 51 | 556588 | Mutter | Nut |
| 52 | 65072 | Scheibe | Washer |
| 53 | 556591 | Welle | Shaft |
| 54 | 570497 | Scheibenfeder | Disk spring |
| 55 | 556594 | Flansch (mit Pos. 56, 57) | Flange (with pos. 56, 57) |
| 56 | 216415 | Spannstift | Dowel pin |
| 57 | 223652 | Gewindestift | Threaded stud |
| 58 | 216199 | Zapfenschraube | Pilot screw |
| 59 | 556598 | Scheibe | Washer |
| 60 | 556599 | Senkschraube | Countersunk screw |
| 61 | 21113 | Gummimuffe | Rubber bush |
| 62 | 5561132 | Linsenschraube | Fillister head screw |
| 63 | 72043 | Scheibe | Washer |
| 64 | 556606 | Halteblech | Retaining plate |
| 65 | 556607 | Zyl.-Schraube | Cyl. head screw |
| 66 | 93019205 | Scheibe | Washer |
| 67 | 556612 | 6kt.-Schraube | Hexagonal screw |
| 68 | 556613 | Mutter | Nut |
| 69 | 556618 | Führungshebel | Guide lever |
| 70 | 556619 | Bolzen | Bolt |
| 71 | 223245 | Gewindestift | Threaded stud |
| 72 | 216656 | Sicher.-Scheibe | Safety washer |
| 73 | 556622 | Halteblech (mit Pos. 74, 75) | Retaining plate (with pos. 74, 75) |
| 74 | 556626 | Sprengring | Retaining ring |
| 75 | 556627 | Rolle | Roll |
| 76 | 9424586 | 6kt.-Schraube | Hexagonal screw |
| 77 | 557263 | Scheibe | Washer |
| 78 | 556631 | Kloben | Block |

| Pos. Det. | Teile Nr. Part No. | Benennung | Denomination |
|--------------|-----------------------|--------------------------------------|---|
| 79 | 211162 | Gleitstein | Sliding block |
| 80 | 556637 | 6kt.-Schraube | Hexagonal screw |
| 81 | 556640 | Stichlagenhebel | Stitch position lever |
| 82 | 556641 | Stichlagenhebel (mit Pos. 83, 84) | Stitch position lever (with pos. 83, 84) |
| 83 | 531471 | Gewindestift | Threaded stud |
| 84 | 21688 | Zyl.-Schraube | Cyl. head screw |
| 85 | 556645 | 6kt.-Schraube | Hexagonal screw |
| 86 | 556646 | Zylinderstift | Strait pin |
| 87 | 265736 | Gelenkstück | Link piece |
| 88 | 556648 | Bolzen | Bolt |
| 89 | 216656 | Sicher.-Scheibe | Lock washer |
| 90 | 556649 | Druckfeder | Pressure spring |
| 91 | 556650 | 6kt.-Schraube | Hexagonal screw |



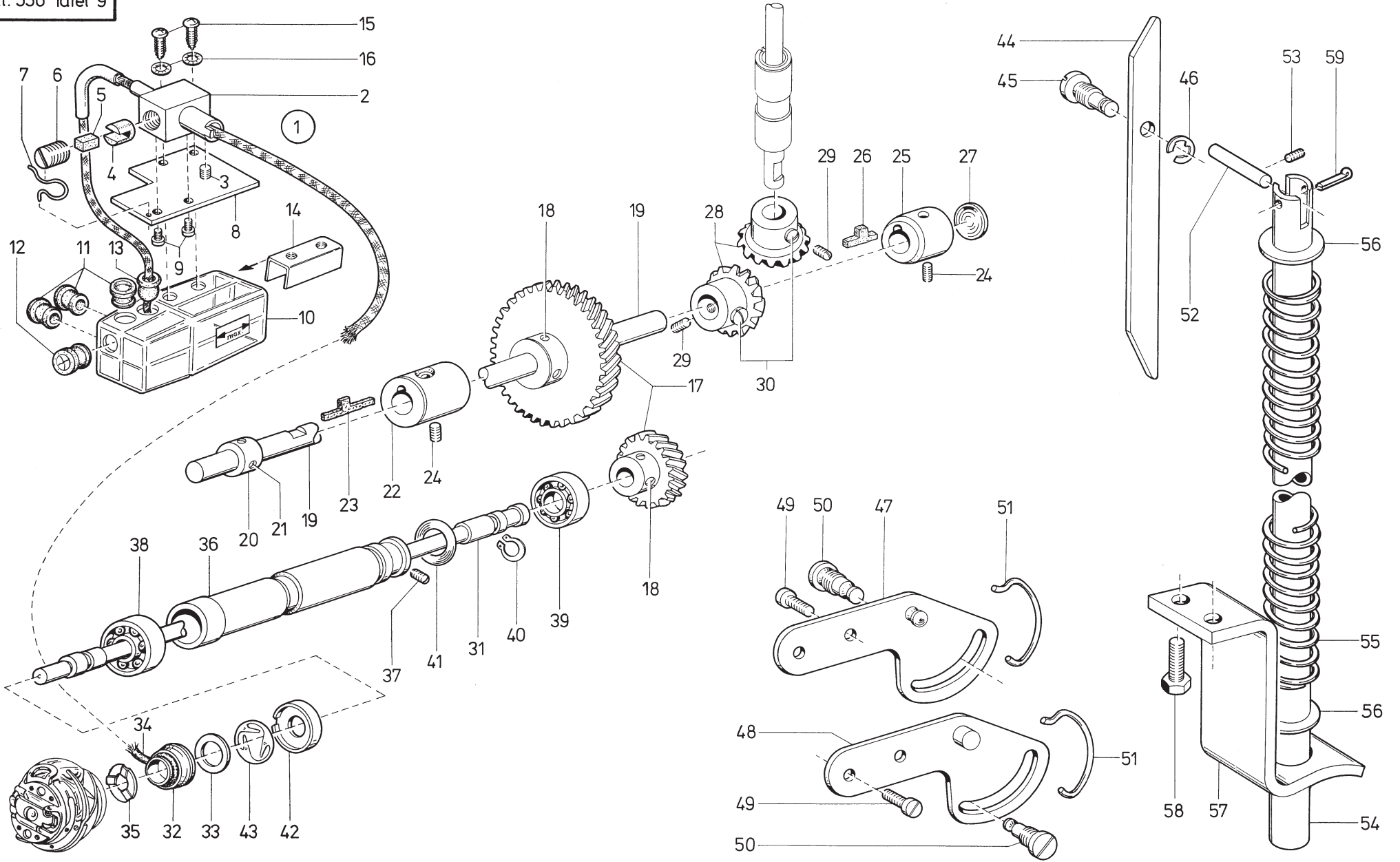




| Pos. Det. | Teile Nr. Part No. | Benennung | Denomination |
|--------------|-----------------------|---|--|
| 1 | 556905 | Auslösehebel | Release lever |
| 2 | 556910 | Lagerbolzen | Bearing bolt |
| 3 | 21652 | Gewindestift | Threaded stud |
| 4 | 021154 | Scheibe | Washer |
| 5 | 556913 | Drehfeder | Torsion spring |
| 6 | 570138 | Sicher.-Scheibe | Safety washer |
| 7 | 556915 | Führungsbuchse | Guide bush |
| 8 | 5513188 | Senkschraube | Countersunk screw |
| 9 | 556917 | Fadenspannung kpl. (best. aus Pos. 10 bis 15) | Thread tension cpl. (consist. of pos. 10 up to 15) |
| 10 | 556918 | Spannungsbolzen | Tension bolt |
| 11 | 556919 | Spannung.-Scheibe | Tension washer |
| 12 | 055399 | Spann.-Stegscheibe | Tension web plate |
| 13 | 055400 | Spannungsfeder | Tension spring |
| 14 | 556923 | Mutter | Nut |
| 15 | 556924 | Auslösestift | Releasing pin |
| 16 | 2117 | Stopfen | Plug |
| 17 | 556933 | Anschlaghülse | Stopl sleeve |
| 18 | 223700 | Zyl.-Schraube | Cyl. head screw |
| 19 | 556935 | Drehfeder | Torsion spring |
| 20 | 556936 | Fad.-Anzugsfeder | Thread pulling spring |
| 21 | 556939 | Fadenspannung kpl. (best. aus Pos. 22 bis 29) | Thread tension cpl. (consist. of pos. 22 up to 29) |
| 22 | 556940 | Spannungsbolzen | Tension bolt |
| 23 | 556942 | Fadenziehblech | Thread pulling plate |
| 24 | 556946 | Mutter | Nut |
| 25 | 556947 | Zyl.-Schraube | Cyl. head screw |
| 26 | 556949 | Spannung.-Scheibe | Tension washer |
| 27 | 556950 | Spannung.-Scheibe | Tension washer |
| 28 | 00479 | Spannungsfeder | Tension spring |
| 29 | 556923 | Mutter | Nut |
| 30 | 21688 | Zyl.-Schraube | Cyl. head screw |
| 31 | 556959 | Fadenöse | Thread eye |
| 32 | 216573 | Linsenschraube | Fillister head screw |
| 33 | 556971a | Hebel kpl. (best. aus Pos. 34, 35, 36, 37) | Lever cpl. (consist. of pos. 34, 35, 36, 37) |
| 34 | 556972a | Hebel | Lever |
| 35 | 556976a | Hebel | Lever |
| 36 | 10019130 | Linsenschraube | Fillister head screw |
| 37 | 5691895 | Scheibe | Washer |
| 38 | 217775 | Zugfeder | Draw spring |

| Pos. Det. | Teile Nr. Part No. | Benennung | Denomination |
|--------------|-----------------------|--|---|
| 39 | 556983 | Ansatzschraube | Shoulder screw |
| 40 | 556986 | Spuler kpl. (best. aus Pos. 41 bis 59) | Bobbin winder cpl. (consist. of pos. 41 upt to 59) |
| 41 | 556988 | Grundplatte | Base plate |
| 42 | 570698 | Spannhülse | Clamping sleeve |
| 43 | 556994 | Anschlagplatte | Stop plate |
| 44 | 556997 | Schwenkhebel | Swivelling lever |
| 45 | 5561005 | Spulerspindel (mit Pos. 46) | Bobbin winder spindle (with pos. 46) |
| 46 | 5561009 | Feder | Spring |
| 47 | 5561011 | Antriebsrad (mit Pos. 48) | Driving wheel (with pos. 48) |
| 48 | 70220 | Gewindestift | Threaded stud |
| 49 | 570238 | Blattfeder | Leaf spring |
| 50 | 237624 | Zyl.-Schraube | Cyl. head screw |
| 51 | 227596 | Gewindeplatte | Threaded plate |
| 52 | 570243 | Drehfeder | Torsion spring |
| 53 | 570138 | Sicher.-Scheibe | Lock washer |
| 54 | 5561023 | Achse | Axle |
| 55 | 216603k | Schaltkloben (mit Pos. 56) | Operating block (with pos. 56) |
| 56 | 223648 | Gewindestift | Threaded stud |
| 57 | 5561028a | Spulerklappe | Bobbin winder flap |
| 58 | 570252 | Abreißblech | Pull-off plate |
| 59 | 10019130 | Linsenschraube | Fillister head screw |
| 60 | 650292 | Zyl.-Schraube | Cyl. head screw |
| 61 | 21611 | Gummistopfen | Rubber plug |
| 62 | 9336274 | Scheibe | Washer |
| 63 | 10019247 | Scheibe | Washer |
| 64 | 5561031 | Fadenleitblech | Thread guide plate |
| 65 | 21698 | Zyl.-Schraube | Cyl. head screw |
| 66 | 244416 | Zyl.-Schraube | Cyl. head screw |
| 67 | 244414 | Spannungshülse | Clamping sleeve |
| 68 | 244415 | Spannungshülse | Clamping sleeve |
| 69 | 244413 | Druckfeder | Pressure spring |
| 70 | 55729a | Scheibe | Washer |
| 71 | 244411 | Feder | Spring |
| 72 | 556927 | Fadenleitstift | Thread guide pin |
| 73 | 5561051 | Fadenspannung kpl. (best. aus Pos. 74, 75, 76, 77) | Thread tension cpl. (consist. of pos. 74, 75, 76, 77) |
| 74 | 5561052 | Winkel | Angle |
| 75 | 244415 | Spannung.-Scheibe | Tension disk |

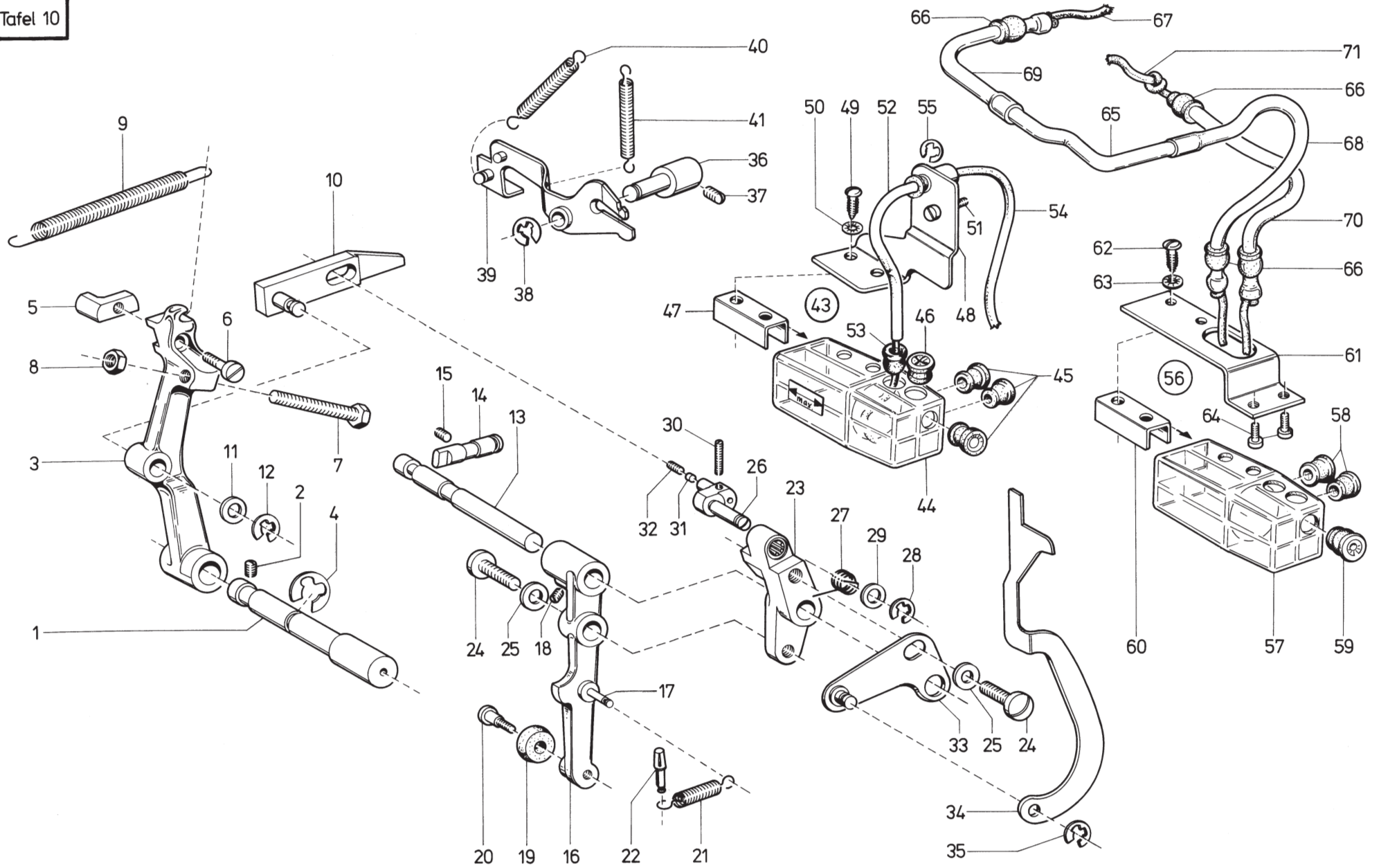
| Pos. Det. | Teile Nr. Part No. | Benennung | Denomination |
|--------------|-----------------------|--------------|-----------------|
| 76 | 74640139 | Rändelmutter | Knurled nut |
| 77 | 055408 | Druckfeder | Pressure spring |
| 78 | 2235047 | Gewindestift | Threaded stud |
| 79 | 556954 | Stift | Pin |

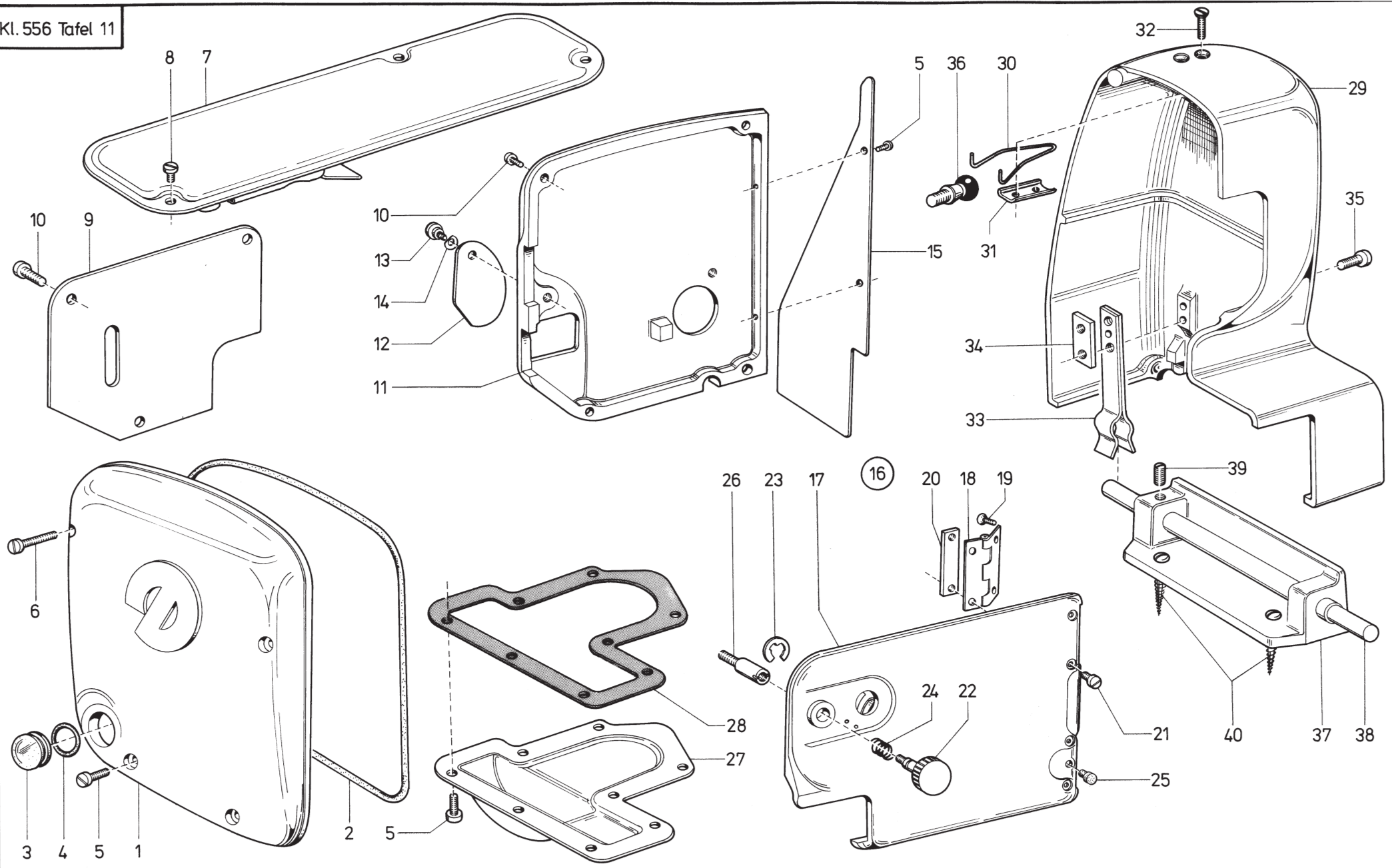


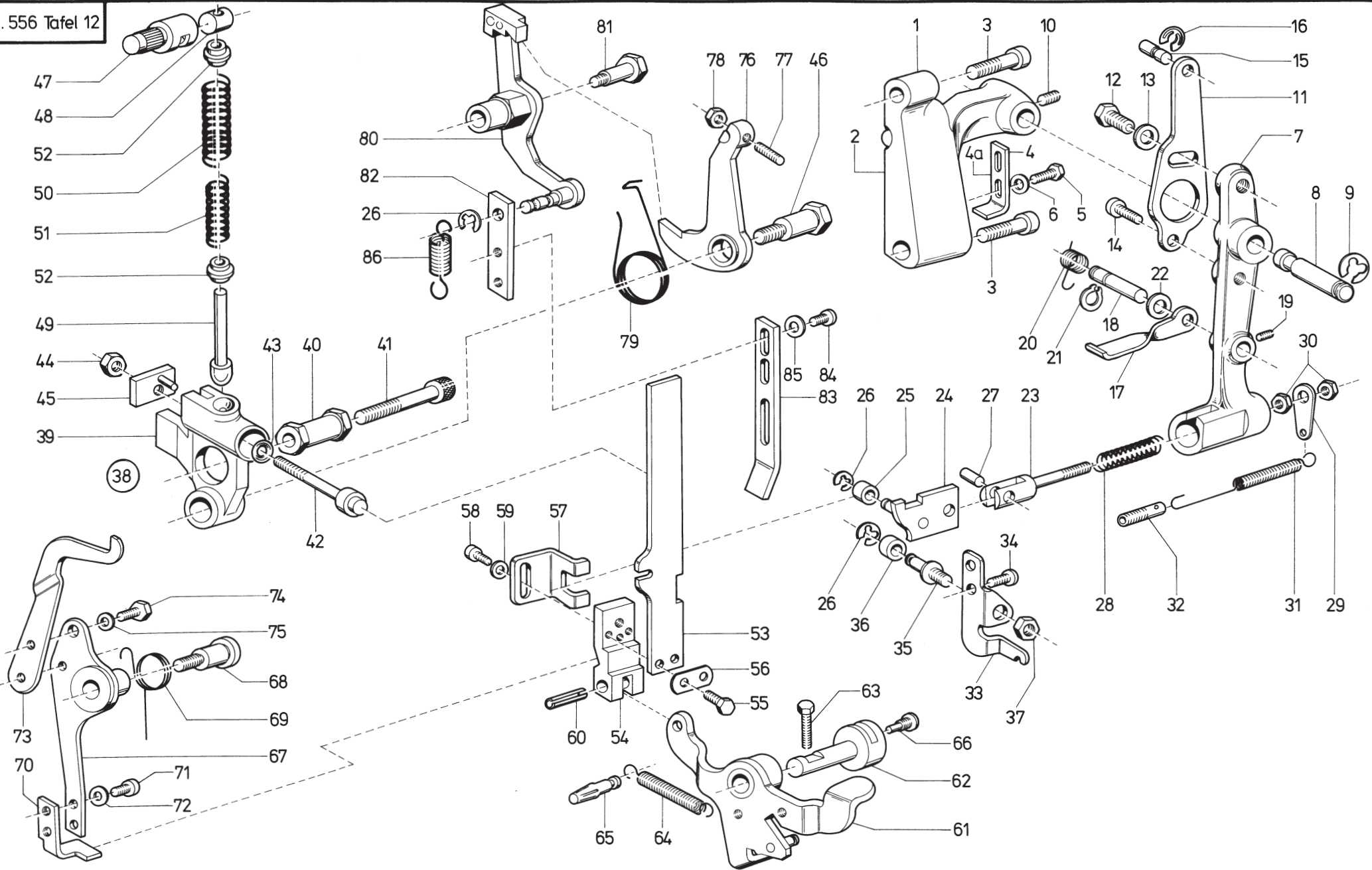
| Pos. Det. | Teile Nr. Part No. | Benennung | Denomination |
|--------------|-----------------------|---|--|
| 1 | 5561571 | Ölbehälter kpl. (best. aus Pos. 2 bis 16) | Oil box cpl. (consist. of pos. 2 up to 16) |
| 2 | 5561572 | Regulierstück | Adjusting piece |
| 3 | 223245 | Gewindestift | Threaded stud |
| 4 | 265753 | Druckhülse | Pressure sleeve |
| 5 | 2118285 | Druckbolzen | Pressure bolt |
| 6 | 265751 | Gewindestift | Threaded stud |
| 7 | 5561581 | Arretierfeder | Arrester spring |
| 8 | 5561582 | Platte | Plate |
| 9 | 223700 | Zyl.-Schraube | Cyl. head screw |
| 10 | 5561584 | Ölbhälter | Oil box |
| 11 | 5563086 | Verschl.-Stopfen | Vent plug |
| 12 | 5563087 | Einfüllstutzen | Filler plug |
| 13 | 211806 | Kunststoffmuffe | Plastic sleeve |
| 14 | 5563088 | Bef.-Stück | Fastening piece |
| 15 | 7441115 | Holzschraube | Wood screw |
| 16 | 739347 | Zahnscheibe | Tooth lock washer |
| 17 | 5561507 | Zahnradpaar (mit Pos. 18) | Gear pair (with pos. 18) |
| 18 | 223648 | Gewindestift | Threaded stud |
| 19 | 5561502a | Unterwelle | Lower shaft |
| 20 | 558156k | Stellring (mit Pos. 21) | Set collar (with pos. 21) |
| 21 | 147203 | Gewindestift | Threaded stud |
| 22 | 211104 | Lager | Bearing |
| 23 | 211106 | Ölfilz | Oil felt |
| 24 | 223245 | Gewindestift | Threaded stud |
| 25 | 5561494 | Lager (mit Pos. 26, 27) | Bearing (with pos. 26, 27) |
| 26 | 5561496 | Ölfilz | Oil felt |
| 27 | 5561497 | Verschl.-Scheibe | Sealing washer |
| 28 | 5561474 | Kegelradpaar (mit Pos. 29, 30) | Pair of mating bevel wheels (with pos. 29, 30) |
| 29 | 223648 | Gewindestift | Threaded stud |
| 30 | 5561469 | Linsenschraube | Fillister head screw |
| 31 | 5561520 | Greiferwelle | Hook shaft |
| 32 | 5561521 | Ölscheibe (mit Pos. 33, 34) | Oil washer (with pos. 33, 34) |
| 33 | 91140 | Scheibe | Washer |
| 34 | 244803 | Öldocht | Oil wick |
| 35 | 5561525 | Scheibe | Washer |
| 36 | 5561526 | Rohr | Tube |

| Pos. Det. | Teile Nr. Part No. | Benennung | Denomination |
|--------------|-----------------------|-----------------|------------------|
| 37 | 21652 | Gewindestift | Threaded stud |
| 38 | 5561528 | Kugellager | Ball bearing |
| 39 | 5561529 | Kugellager | Ball bearing |
| 40 | 5561531 | Sicher.-Ring | Retaining ring |
| 41 | 5561532 | Tellerfeder | Cup spring |
| 42 | 5561534 | Distanzscheibe | Distance washer |
| 43 | 5561535 | Federscheibe | Spring washer |
| 44 | 5561694 | Stützhebel | Supporting lever |
| 45 | 5561695 | Ansatzschraube | Shoulder screw |
| 46 | 93002119 | Sicher.-Scheibe | Lock washer |
| 47 | 5561696 | Schwenklasche | Turning shackle |
| 48 | 5561697 | Schwenklasche | Turning shackle |
| 49 | 2401027 | Zyl.-Schraube | Cyl. head screw |
| 50 | 5561701 | Ansatzschraube | Shoulder screw |
| 51 | 5561702 | Feder | Spring |
| 52 | 5561703 | Bolzen | Bolt |
| 53 | 202708 | Gewindestift | Threaded stud |
| 54 | 5561705 | Federrohr | Spring tube |
| 55 | 5561706 | Druckfeder | Pressure spring |
| 56 | 5561707 | Scheibe | Washer |
| 57 | 5561708 | Stützwinkel | Supporting angle |
| 58 | App.20160 | 6kt.-Schraube | Hexagonal screw |
| 59 | 255356 | Splint | Split pin |

| Pos. Det. | Teile Nr. Part No. | Benennung | Denomination |
|--------------|-----------------------|-----------|--------------|
|--------------|-----------------------|-----------|--------------|



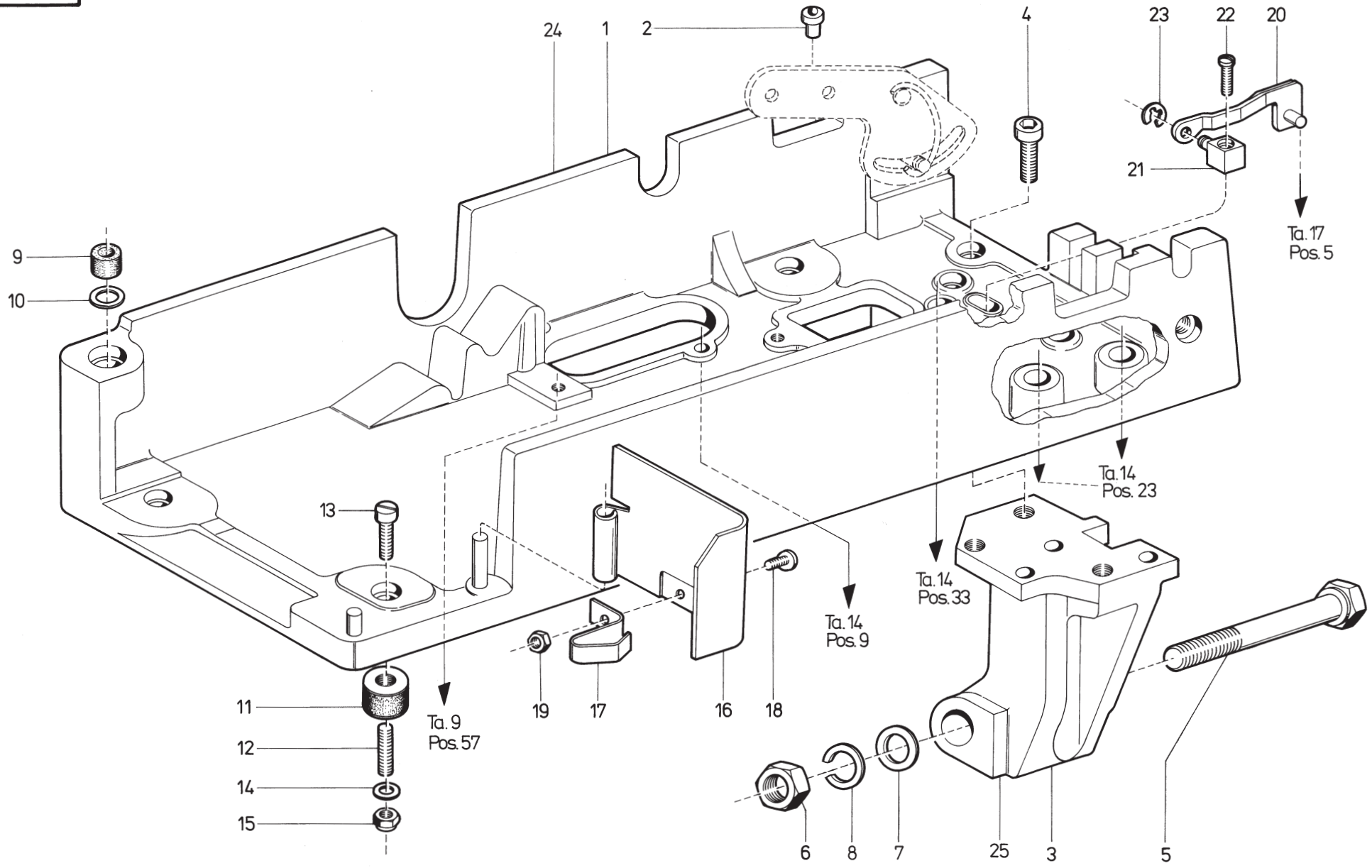


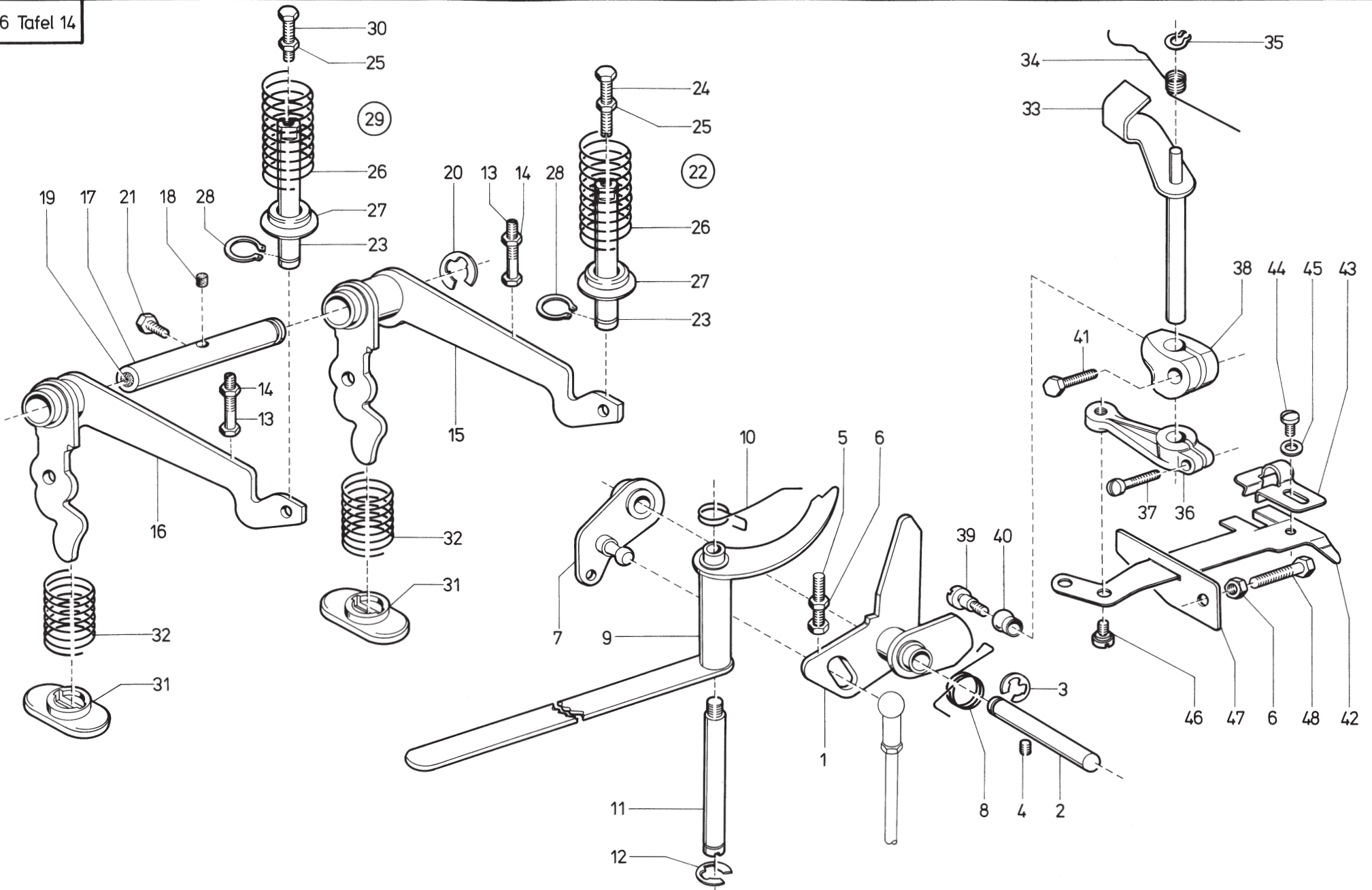


| Pos. Det. | Teile Nr. Part No. | Benennung | Denomination |
|--------------|-----------------------|---|---|
| 1 | 5561201k | Führungsbock | Guide block |
| 2 | 55616192 | Führungsbock * | Guide block * |
| 3 | 911376 | Zyl.-Schraube | Cyl. head screw |
| 4 | 570526 | Winkelblech | Angle plate |
| 4a | 55616219 | Winkelblech * | Angle plate * |
| 5 | 21267 | 6kt.-Schraube | Hexagonal screw |
| 6 | 024275 | Scheibe | Washer |
| 7 | 5561212 | Kupplungshebel | Clutch lever |
| 8 | 570533 | Bolzen | Bolt |
| 9 | 216656 | Sicher.-Scheibe | Lock washer |
| 10 | 223648 | Gewindestift | Threaded stud |
| 11 | 5561216 | Verbindungsblech | Connecting plate |
| 12 | MG43/36 | 6kt.-Schraube | Hexagonal screw |
| 13 | 72043 | Scheibe | Washer |
| 14 | 2401027 | Zyl.-Schraube | Cyl. head screw |
| 15 | 570542 | Bolzen | Bolt |
| 16 | 211100a | Sicher.-Scheibe | Lock washer |
| 17 | 570545 | Klinke | Pawl |
| 18 | 570546 | Bolzen | Bolt |
| 19 | 223237 | Gewindestift | Threaded stud |
| 20 | 570549 | Drehfeder | Torsion spring |
| 21 | 10019236 | Sicher.-Ring | Retaining ring |
| 22 | 241320 | Scheibe | Washer |
| 23 | 570556 | Gelenkkloben | Articulated block |
| 24 | 570557 | Klinke | Pawl |
| 25 | 570572 | Rolle | Roll |
| 26 | 570138 | Sicher.-Scheibe | Lock washer |
| 27 | 5561238 | Zylinderstift | Strait pin |
| 28 | 5561239 | Druckfeder | Pressure spring |
| 29 | 5561240 | Lasche | Shackle |
| 30 | MG43/408 | 6kt.-Mutter | Hexagonal nut |
| 31 | 216763 | Zugfeder | Draw spring |
| 32 | 5561243 | Federstift | Spring pin |
| 33 | 5561245 | Anschlagwinkel | Stop angle |
| 34 | 702229 | Zyl.-Schraube | Cyl. head screw |
| 35 | 5561251 | Rollenbolzen | Roller bolt |
| 36 | 570572 | Rolle | Roll |
| 37 | 216660 | 6kt.-Mutter | Hexagonal nut |
| 38 | 5561256 | Hebel kpl. (best. aus Pos. 39 bis 45) | Lever cpl. (consist. of pos. 39 up to 45) |
| 39 | 5561257a | Hebel | Lever |
| 40 | 5561259 | Exzenterbuchse | Eccentric bush |
| 41 | 7442013 | Zyl.-Schraube | Cyl. head screw |

| Pos. Det. | Teile Nr. Part No. | Benennung | Denomination |
|--------------|-----------------------|-----------------------------|----------------------------|
| 42 | 570582 | Druckbolzen | Set bolt |
| 43 | 933587 | Tellerfeder | Cup spring |
| 44 | 216660 | 6kt.-Mutter | Hexagonal nut |
| 45 | 5561381 | Anlageplatte | Lay-on plate |
| 46 | 570578 | Ansatzschraube | Shoulder screw |
| 47 | 570588 | Aufnahmebolzen | Supporting bolt |
| 48 | 570590 | Führungsstück | Guide piece |
| 49 | 570592 | Druckbolzen | Set bolt |
| 50 | 5561276 | Druckfeder | Pressure spring |
| 51 | 5561277 | Druckfeder | Pressure spring |
| 52 | 5561278 | Federteller | Spring cup |
| 53 | 5561282 | Bremsstößel | Brake tappet |
| 54 | 5561283 | Bremsstößel-Halter | Tappet support |
| 55 | 5561284 | 6kt.-Schraube | Hexagonal screw |
| 56 | 5561285 | Sicherungsblech | Locking plate |
| 57 | 570606 | Verstellwinkel | Regulating angle |
| 58 | 270631 | Zyl.-Schraube | Cyl. head screw |
| 59 | 902514 | Scheibe | Washer |
| 60 | 5561290 | Spannhülse | Clamping sleeve |
| 61 | 5561292 | Übertrag.-Hebel | Transmission lever |
| 62 | 5561296a | Lagerbolzen | Bearing bolt |
| 63 | 5561297 | 6kt.-Schraube | Hexagonal screw |
| 64 | 5691873 | Zugfeder | Draw spring |
| 65 | 21253 | Kerbstift | Grooved pin |
| 66 | 5561300 | Zapfenschraube | Pilot screw |
| 67 | 5561306 | Schalthebel | Control lever |
| 68 | 5561309 | Ansatzschraube | Shoulder screw |
| 69 | 5561310 | Drehfeder | Torsion spring |
| 70 | 5561312 | Haltewinkel | Holding angle |
| 71 | 911136 | Zyl.-Schraube | Cyl. head screw |
| 72 | 557263 | Scheibe | Washer |
| 73 | 5561316 | Auslösehebel | Releasing lever |
| 74 | 55617 | 6kt.-Schraube | Hexagonal screw |
| 75 | 556379 | Scheibe | Washer |
| 76 | 5561385 | Klinke (mit Pos. 77, 78) | Pawl (with pos. 77, 78) |
| 77 | 265685 | Gewindestift | Threaded stud |
| 78 | 237202 | 6kt.-Mutter | Hexagonal nut |
| 79 | 5561394 | Drehfeder | Torsion spring |
| 80 | 5561396 | Hebel | Lever |
| 81 | 5561311 | Ansatzschraube | Shoulder screw |
| 82 | 5561402 | Lasche | Shackle |
| 83 | 5561403 | Stange | Bar |
| 84 | 216123 | Zyl.-Schraube | Cyl. head screw |

| Pos. Det. | Teile Nr. Part No. | Benennung | Denomination |
|--------------|-----------------------|--------------------|---------------------|
| 85 | 024275 | Scheibe | Washer |
| 86 | 5561408 | Zugfeder | Draw spring |
| | | * Nur für 556-5121 | * for 556-5121 only |

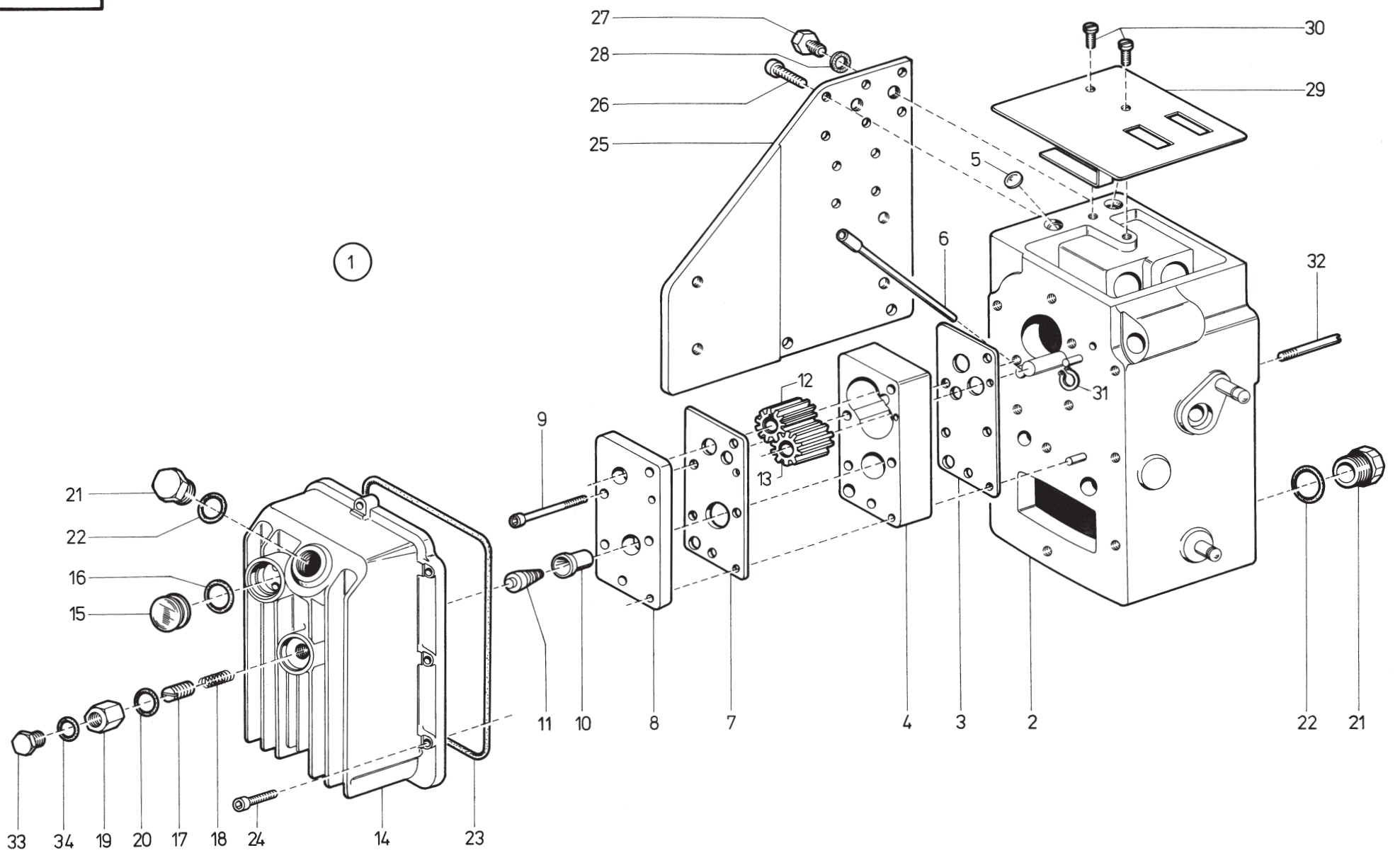


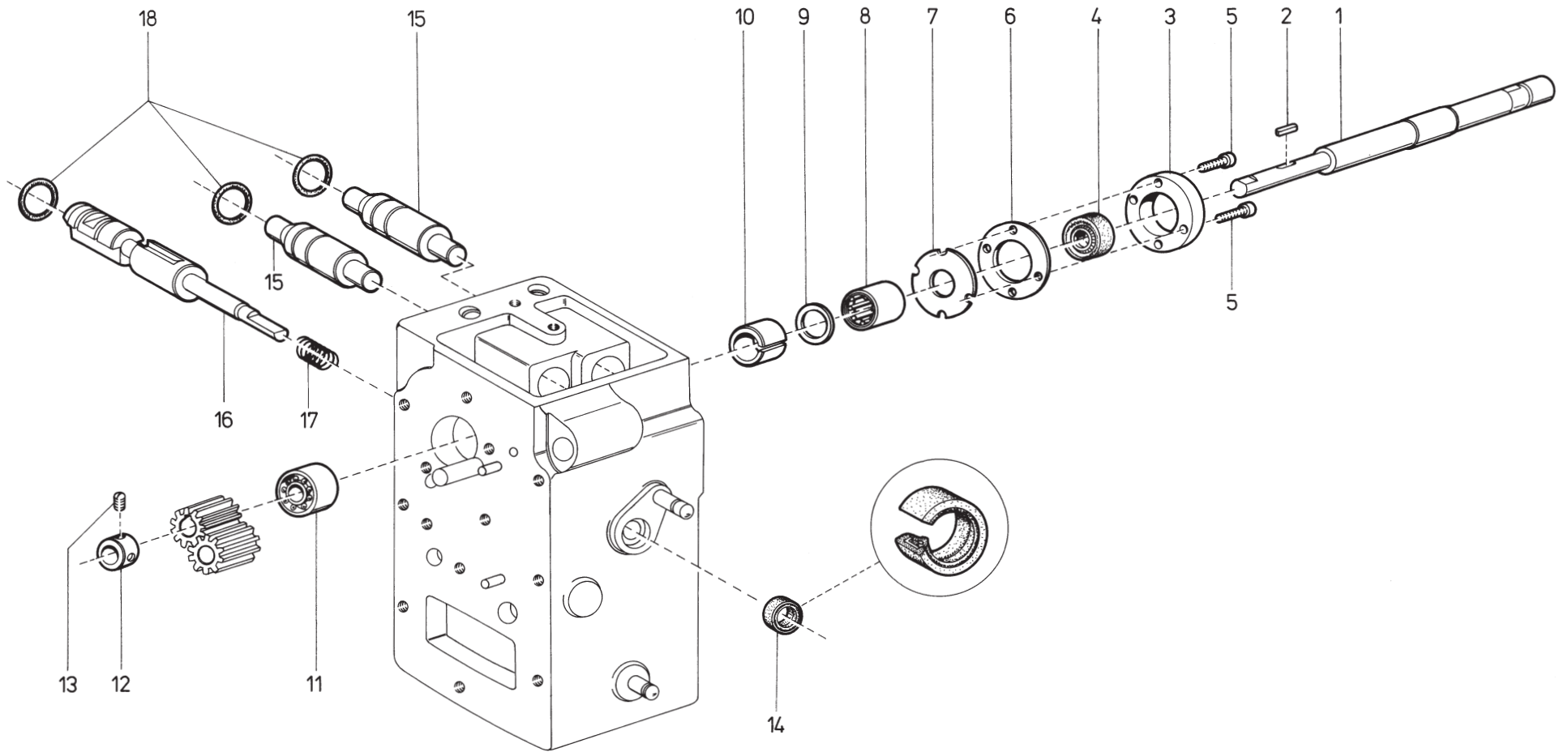


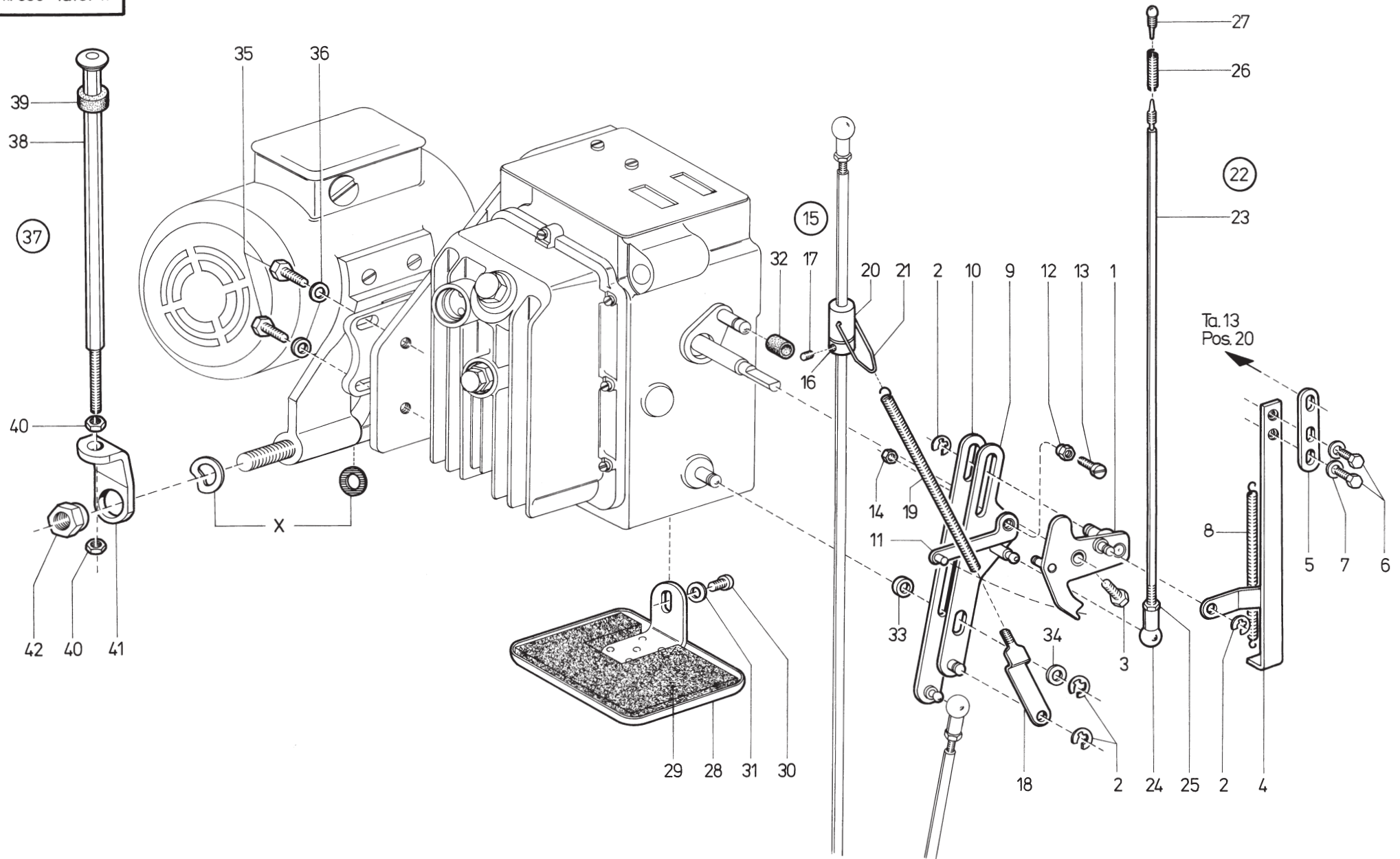
| Pos. Det. | Teile Nr. Part No. | Benennung | Denomination |
|--------------|-----------------------|--|---|
| 1 | 5561804 | Hebel | Lever |
| 2 | 5561808 | Achse | Axle |
| 3 | 93002119 | Sicher.-Scheibe | Lock washer |
| 4 | 223245 | Gewindestift | Threaded stud |
| 5 | 55615258 | 6kt.-Schraube | Hexagonal screw |
| 6 | MG43/408 | 6kt.-Mutter | Hexagonal nut |
| 7 | 5561811 | Hebel | Lever |
| 8 | 5561815 | Drehfeder | Torsion spring |
| 9 | 5561871 | Sperrhebel | Catch lever |
| 10 | 5561875 | Drehfeder | Torsion spring |
| 11 | 5561876 | Bolzen | Bolt |
| 12 | 216656 | Sicher.-Scheibe | Lock washer |
| 13 | 5561864 | 6kt.-Schraube | Hexagonal screw |
| 14 | MG43/408 | 6kt.-Mutter | Hexagonal nut |
| 15 | 5561817 | Einschalthebel | Starting lever |
| 16 | 5561821 | Lüfterhebel | Lifter lever |
| 17 | 5561824 | Bolzen | Bolt |
| | | (mit Pos. 18, 19) | (with pos. 18, 19) |
| 18 | 5561827 | Ölfilz | Oil felt |
| 19 | 216288 | Gummistopfen | Rubber plug |
| 20 | 5561829 | Sicher.-Scheibe | Lock washer |
| 21 | 5561830 | 6kt.-Schraube | Hexagonal screw |
| 22 | 5561861 | Einschaltstößel kpl. (best. aus Pos. 23, 24, 25, 26, 27, 28) | Starting tappet cpl. (cons. of pos. 23, 24, 25, 26, 27, 28) |
| 23 | 5561863 | Stößel | Tappet |
| 24 | 5561864 | 6kt.-Schraube | Hexagonal screw |
| 25 | 2522389 | 6kt.-Mutter | Hexagonal nut |
| 26 | 5561867 | Druckfeder | Pressure spring |
| 27 | 5561868 | Federteller | Spring cup |
| 28 | 2119969 | Sicher.-Ring | Retaining ring |
| 29 | 5561862 | Lüfterstößel kpl. (best. aus Pos. 23, 25, 26, 27, 28, 30) | Lifter tappet cpl. (cons. of pos. 23, 25, 26, 27, 28, 30) |
| 30 | 5561865 | 6kt.-Schraube | Hexagonal screw |
| 31 | 5701409 | Staubklappe | Dust cap |
| 32 | 5701410 | Feder | Spring |
| 33 | 5561831 | Schalthebel | Control lever |
| 34 | 5561835 | Drehfeder | Torsion spring |
| 35 | 5701174 | Greifring | Gripping ring |
| 36 | 5701177 | Klemmhebel | Clamping lever |
| 37 | 902446 | Linsenschraube | Fillister head screw |
| 38 | 5561842 | Rollenhebel (mit Pos. 39, 40, 41) | Rolling lever (with pos. 39, 40, 41) |

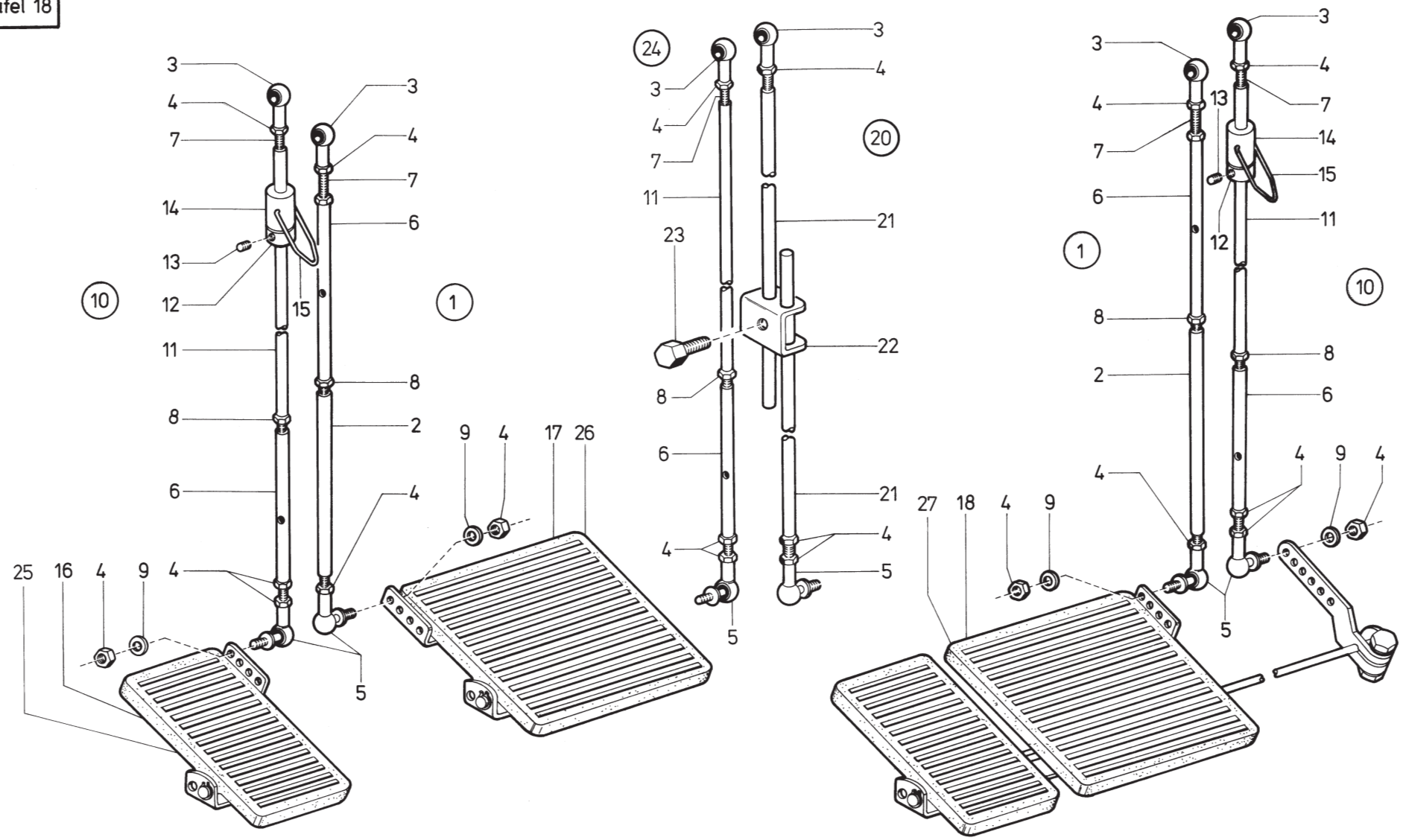
| Pos. Det. | Teile Nr. Part No. | Benennung | Denomination |
|--------------|-----------------------|----------------|----------------------|
| 39 | 5561844 | Ansatzschraube | Shoulder screw |
| 40 | 5561845 | Rolle | Roll |
| 41 | 719127 | 6kt.-Schraube | Hexagonal screw |
| 42 | 5701182 | Riemengabel | Belt fork |
| 43 | 5701184 | Führungsblech | Guide plate |
| 44 | 216775 | Linsenschraube | Fillister head screw |
| 45 | 024275 | Scheibe | Washer |
| 46 | 10019108 | Ansatzschraube | Shoulder screw |
| 47 | 5701190 | Führungsblech | Guide plate |
| 48 | 5701192 | 6kt.-Schraube | Hexagonal screw |

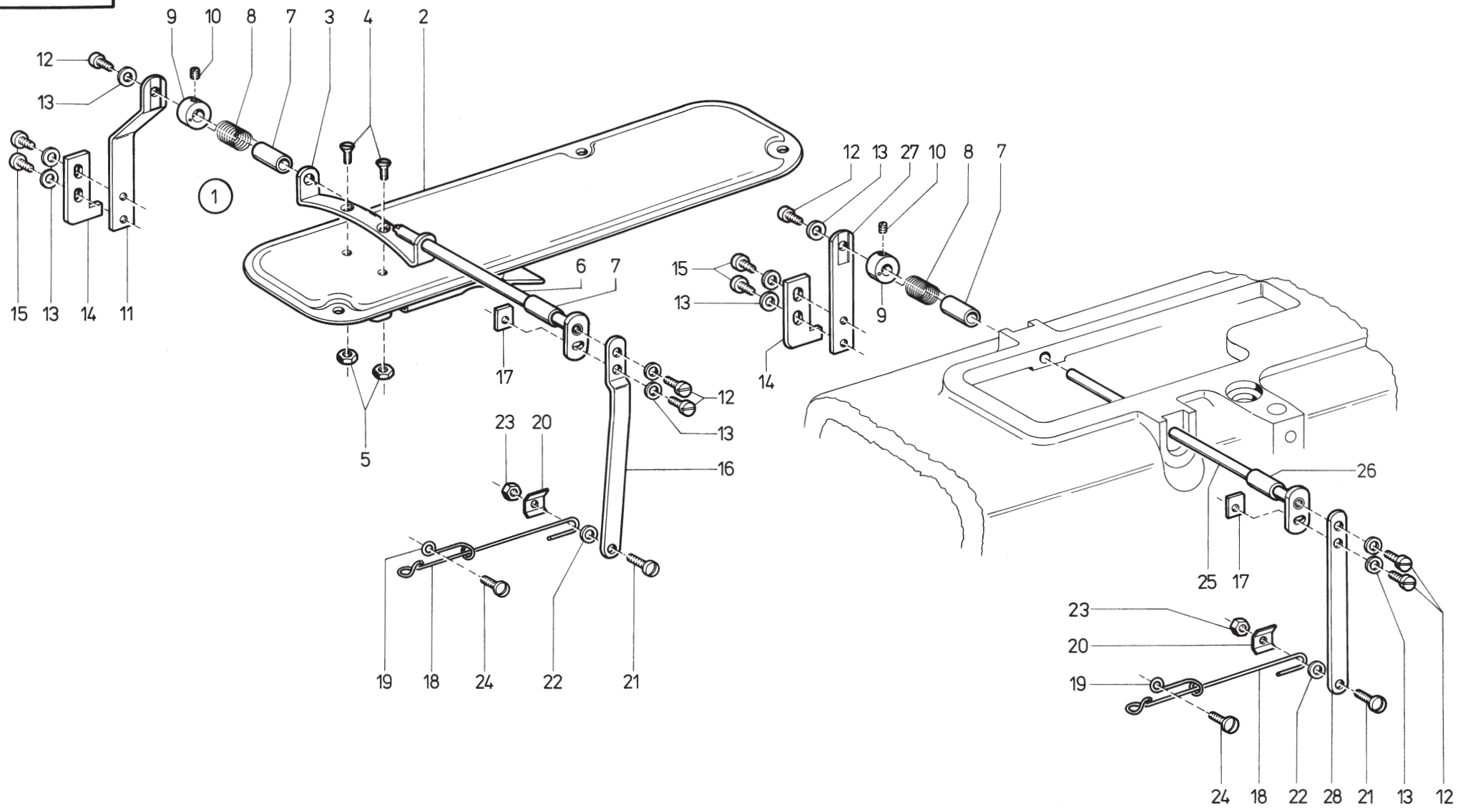
| Pos. Det. | Teile Nr. Part No. | Benennung | Denomination |
|--------------|-----------------------|-----------|--------------|
|--------------|-----------------------|-----------|--------------|

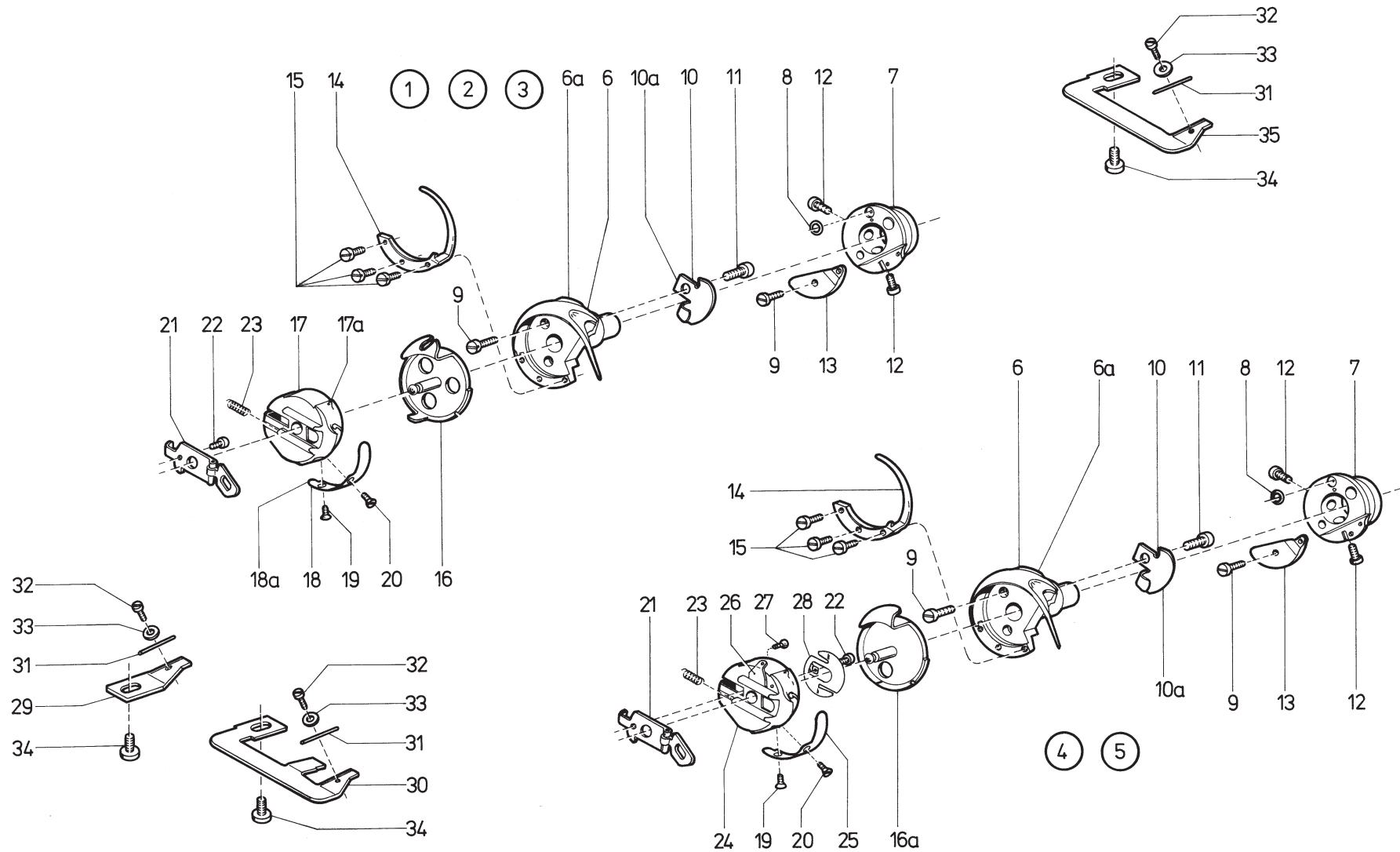

















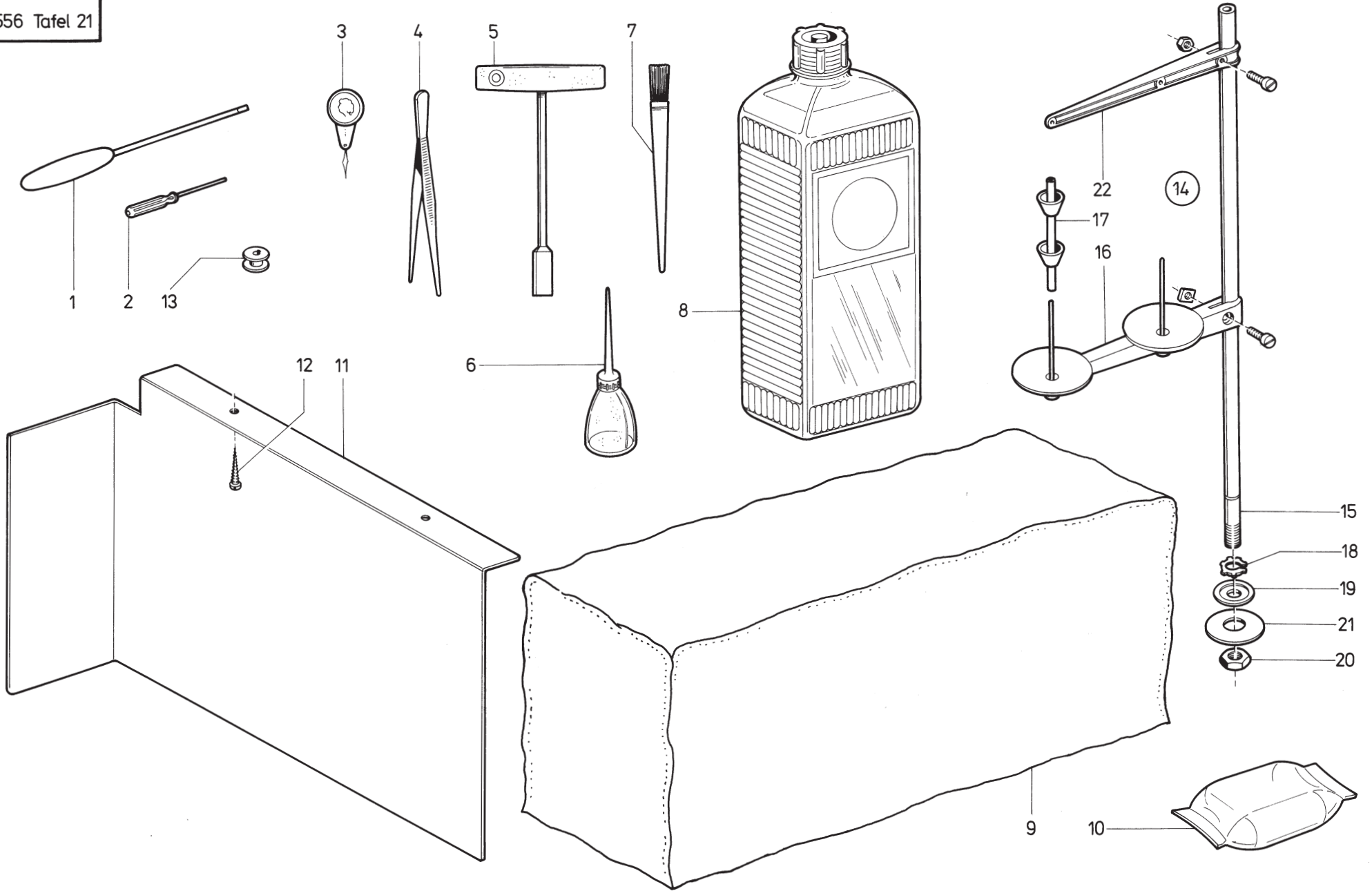


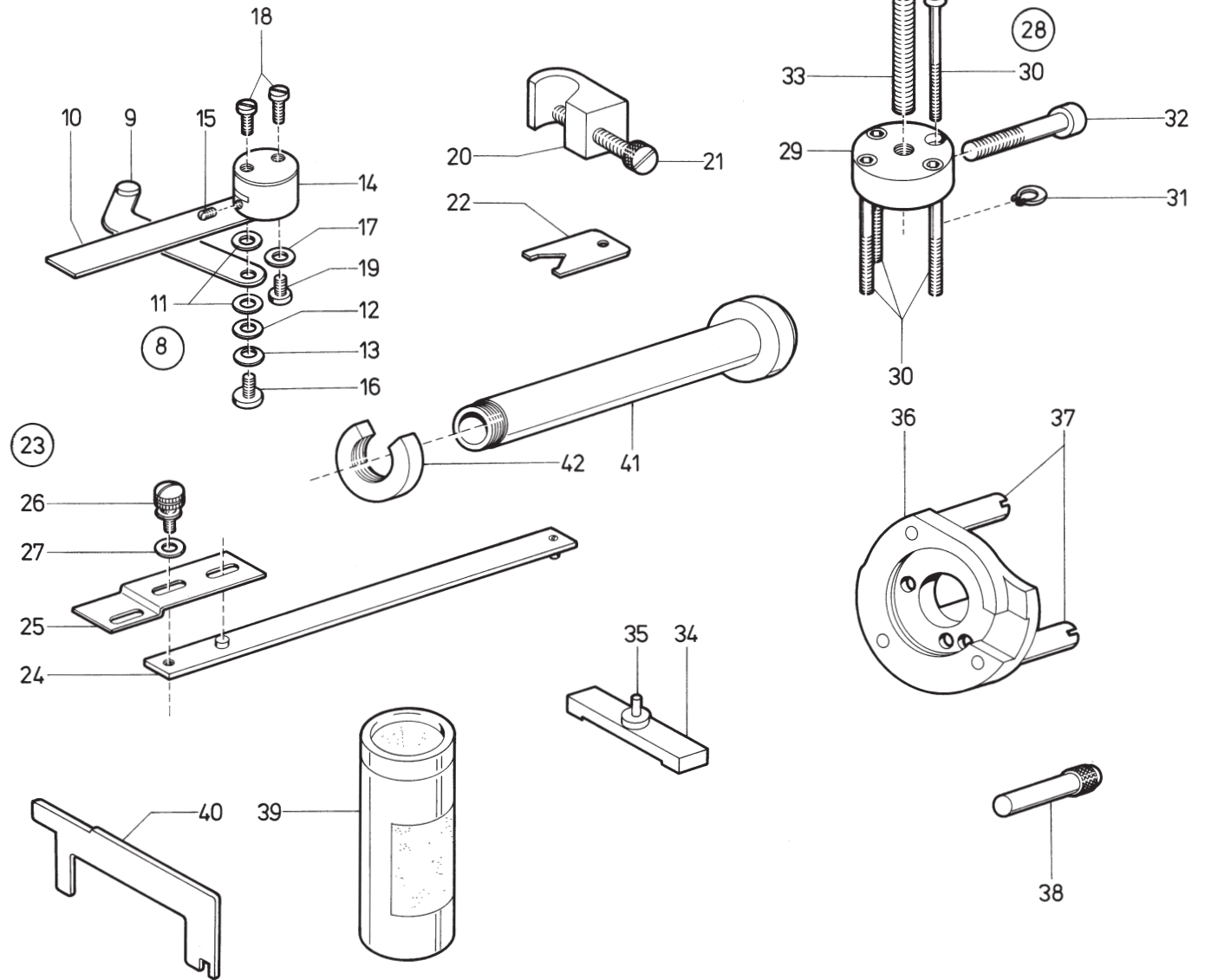
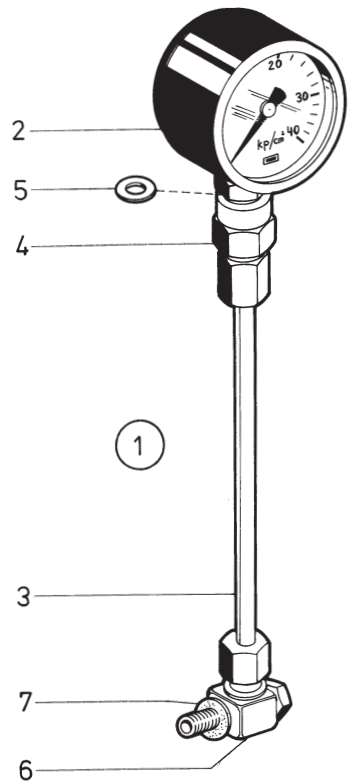




| Pos. Det. | Teile Nr. Part No. | Benennung | Denomination | Pos. Det. | Teile Nr. Part No. | Benennung | Denomination | Pos. Det. | Teile Nr. Part No. | Benennung | Denomination |
|-----------|--------------------|---|--|-----------|--------------------|--|---|-----------|--------------------|-----------|--------------|
| | | Kl. 556-1101 (Pos. 1, 2, 3 und 29) | Cl. 556-1101 (pos. 1, 2, 3 and 29) | 12 | 5565040 | Zyl.-Schraube | Cyl. head screw | | | | |
| | | Kl. 556-1106 (Pos. 1, 2, 3 und 29) | Cl. 556-1106 (pos. 1, 2, 3 and 29) | 13 | 5565023 | Ausgleichsgewicht | Balancing weight | | | | |
| | | Kl. 556-5101 (Pos. 4, 5 und 30) | Cl. 556-5101 (pos. 4, 5 and 30) | 14 | 5565036 | Greiferbahndeckel | Hook line cover | | | | |
| | | Kl. 556-5121 (Pos. 4, 5 und 30) | Cl. 556-5121 (pos. 4, 5 and 30) | 15 | 211919 | Zyl.-Schraube | Cyl. head screw | | | | |
| | | Kl. 556-11101 (Pos. 1, 2, 3 und 29) | Cl. 556-11101 (pos. 1, 2, 3 and 29) | 16 | 5565041 | Spulengeh.-Unterteil | Lower bobbin casing | | | | |
| | | Kl. 556-202101 (Pos. 2 und 35) | Cl. 556-202101 (pos. 2 and 35) | 16a | 5565042 | Spulengeh.-Unterteil | Lower bobbin casing | | | | |
| | | Kl. 556-205101 (Pos. 4, 5 und 30) | Cl. 556-205101 (pos. 4, 5 and 30) | 17 | 5565044 | Spulengeh.-Oberteil (mit Pos. 18 bis 23) | Upper bobbin casing (with pos. 18 up to 23) | | | | |
| 1 | 5565001 | Greifer kpl. (best. aus Pos. 6 bis 23 ohne Pos. 6a, 10a, 16a u. 17a) | Hook cpl. (consist. of pos. 6 up to 23 except pos. 6a, 10a, 16a and 17a) | 17a | 5565046 | Spulengeh.-Oberteil (mit Pos. 18 bis 23) | Upper bobbin casing (with pos. 18 up to 23) | | | | |
| 2 | 5565002 | Greifer kpl. (best. aus Pos. 6, 7 bis 10, 11–16 und 17a) | Hook cpl. (consist. of pos. 6, 7 up to 10, 7 up to 10, 11 up to 16 and 17a) | 18 | 5565051 | Spannungsfeder | Tension spring | | | | |
| 3 | 5565003 | Greifer kpl. (best. aus Pos. 6a, 16 und 17) | Hook cpl. (cons. of pos. 6a, 16 and 17) | 18a | 55616052 | Spannungsfeder | Tension spring | | | | |
| 4 | 5565004 | Greifer kpl. (best. aus Pos. 6, 16a und 24) | Hook cpl. (consist. of pos. 6, 16a and 24) | 19 | 5565055 | Senkschraube | Countersunk screw | | | | |
| 5 | 5565006 | Greifer kpl. (best. aus Pos. 6a, 16a und 24) | Hook cpl. (consist. of pos. 6a, 16a und 24) | 20 | 5565056 | Regulierschraube | Adjusting screw | | | | |
| 6 | 5565011 | Greifer kpl. (mit Pos. 7, 8, 9, 10, 11, 12, 13, 14 u. 15) | Hook cpl. (with pos. 7, 8, 9, 10, 11, 12, 13, 14 and 15) | 21 | 252373 | Scharnier | Hinge | | | | |
| 6a | 5565013 | Greifer kpl. (mit Pos. 7–9, 10a, und 11–15) | Hook cpl. (with pos. 7 up to 9, 10a, and 11 up to 15) | 22 | 204340 | Zyl.-Schraube | Cyl. head screw | | | | |
| 7 | 5565024 | Ölring | Oil seal | 23 | 204339 | Druckfeder | Pressure spring | | | | |
| 8 | 5565025 | Rundschnurring | Round cord ring | 24 | 5565071 | Spulengeh.-Oberteil (mit Pos. 19 bis 23 und 25 bis 28) | Upper bobbin case (with pos. 19 up to 23 and 25 up to 28) | | | | |
| 9 | 211268 | Zyl.-Schraube | Cyl. head screw | 25 | 5565073 | Spannungsfeder | Tension spring | | | | |
| 10 | 5565031 | Nad.-Schutzblech | Needle protecting plate | 26 | 5565075 | Fadenführung | Thread guidance | | | | |
| 10a | 5565016 | Nad.-Schutzblech | Needle protecting plate | 27 | 244992 | Senkschraube | Countersunk screw | | | | |
| 11 | 216354 | Zyl.-Schraube | Cyl. head screw | 28 | 5565074 | Bremsefeder | Brake spring | | | | |
| | | | | 29 | 5561595 | Spulengeh.-Halter kpl. (mit Pos. 31, 32, 33) | Bobbin case holder cpl. (with pos. 31, 32, 33) | | | | |
| | | | | 30 | 55615214 | Spulengeh.-Halter kpl. (mit Pos. 31, 32, 33) | Bobbin case holder cpl. (with pos. 31, 32, 33) | | | | |
| | | | | 31 | 5561597 | Federdraht | Spring wire | | | | |
| | | | | 32 | 21110774 | Zyl.-Schraube | Cyl. head screw | | | | |
| | | | | 33 | 5561599 | Scheibe | Washer | | | | |
| | | | | 34 | 216601 | Linsenschraube | Fillister head screw | | | | |
| | | | | 35 | 55616055a | Spulengeh.-Halter kpl. (mit Pos. 31, 32, 33) | Bobbin case holder cpl. (with pos. 31, 32, 33) | | | | |

| Zusatzblatt zu 556 Tafel 20 Additional sheet for 556 table 20 | | | | Unterschiedsmerkmale der kompletten Greifer Difference features of the complete hook | | | | | | | |
|---|---|---|--|---|---|---|---|---|--|--|--|
| Klasse Class | Nadel- system | Spule | Greifer kpl. | Greifer ohne Spulengehäuse Ober- und Unterteil | Spulengehäuse Unterteil | Spulengehäuse Oberteil kpl. | Nadelschutz- blech | Greifer- bahndeckel | Spulenge- häusehalter kpl. | | |
| | Needle- system | Bobbin | Hook cpl. | Hook without upper and lower bobbin case | Lower bobbin case | Upper bobbin case cpl. | Needle protecting plate | Hook line cover | Bobbin case holder cpl. | | |
| |  |  |  |  |  |  |  |  | | | |
| 556-1101 556-1106 556-11101 | 265 556 KH | 5561603 | 5565001 | 5565011 | 5565041 | 5565044 | 5565031 | 5565036 |  | | |
| | 556-50 ED | 5561603 | 5565003 | 5565013 | 5565041 | 5565044 | 5565016 | 5565036 | | | |
| | 265 556 KH | Pappspule Card board bobbin | 5565002 | 5565011 | 5565041 | 5565046 | 5565031 | 5565036 | | | |
| 556-202101 | 265 556 KH | 55615212, o. Pappspule, o. Card board b. | 5565002 | 5565011 | 5565041 | 5565046 | 5565031 | 5565036 |  | | |
| | 556-50 ED | 55615212, o. Pappspule, o. Card board b. | 5565005 | 5565013 | 5565041 | 5565046 | 5565016 | 5565036 | | | |
| 556-5101 556-205101 556-5121 | 265 556 KH | 55615212, o. Pappspule, o. Card board b. | 5565004 | 5565017 | 5565042 | 5565071 | 5565031 | 5565038 |  | | |
| | 556-50 ED | 55615212, o. Pappspule, o. Card board b. | 5565006 | 5565018 | 5565042 | 5565071 | 5565016 | 5565038 | | | |
| <p>Anderungshinweis! Ab 1.1.1983 wird bei der Dürkopp 556 statt des Nadelsystems 556 KH jetzt das Nadel- system 265 mit leicht angerundeter Spitze verwendet. Die Bezeichnung dieser Spitzenform lautet bei den verschiedenen Nadelfirmen wie folgt: Lammertz 265 SIN; Metwar 265 FG; Rheinnadel 265R-SES; Schmetz 265 SES</p> | | | | | | | | | | | |
| <p>Modification! After the 1st of January, 1983 the Dürkopp 556 will use the needle system 265 with the point slightly roundet off instead of the needle system 556 KH. The designation of this point form varies with the needle manufacturer: Lammertz 265 SIN; Metwar 265 FG; Rheinnadel 265 R-SES; Schmetz 265 SES</p> | | | | | | | | | | | |

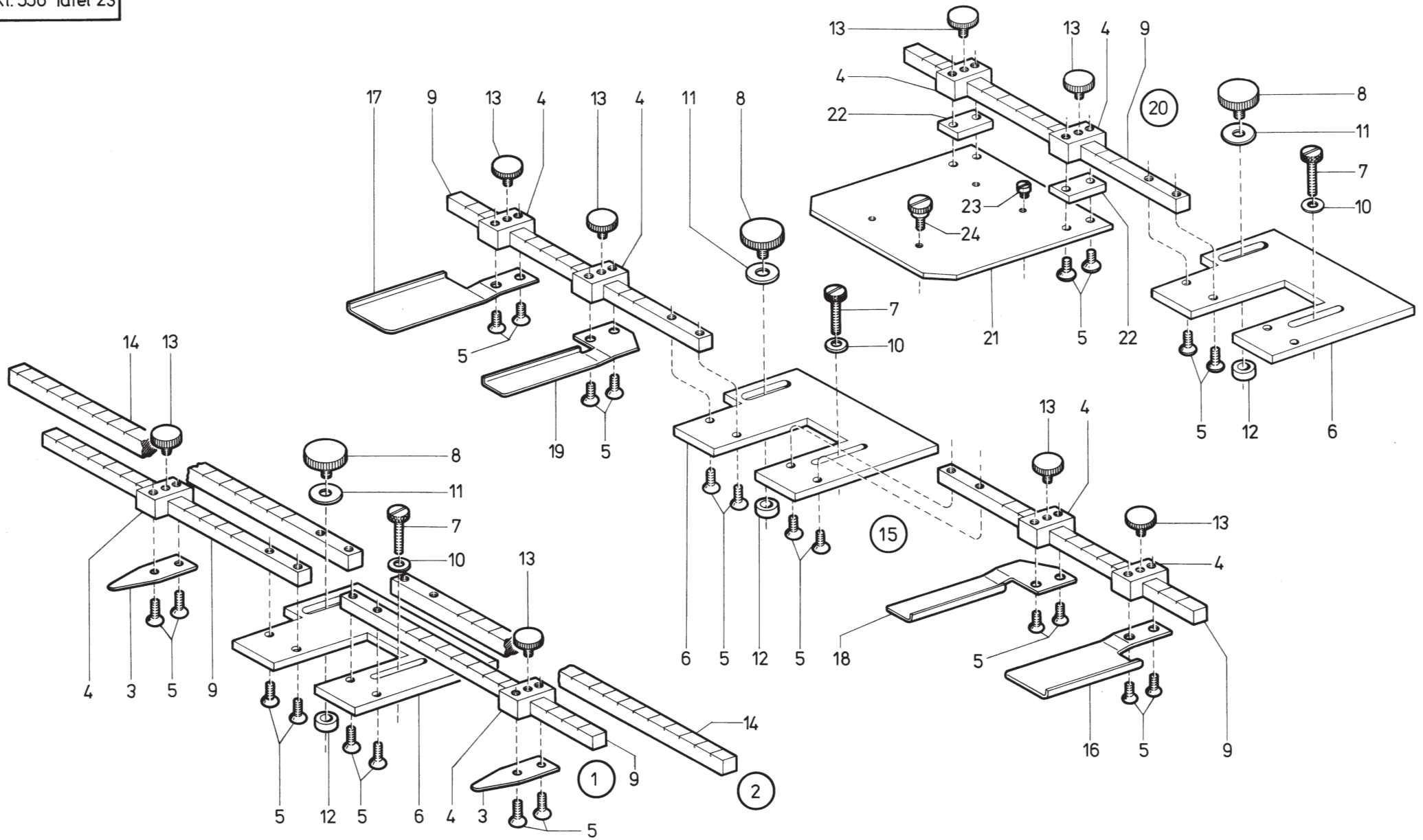


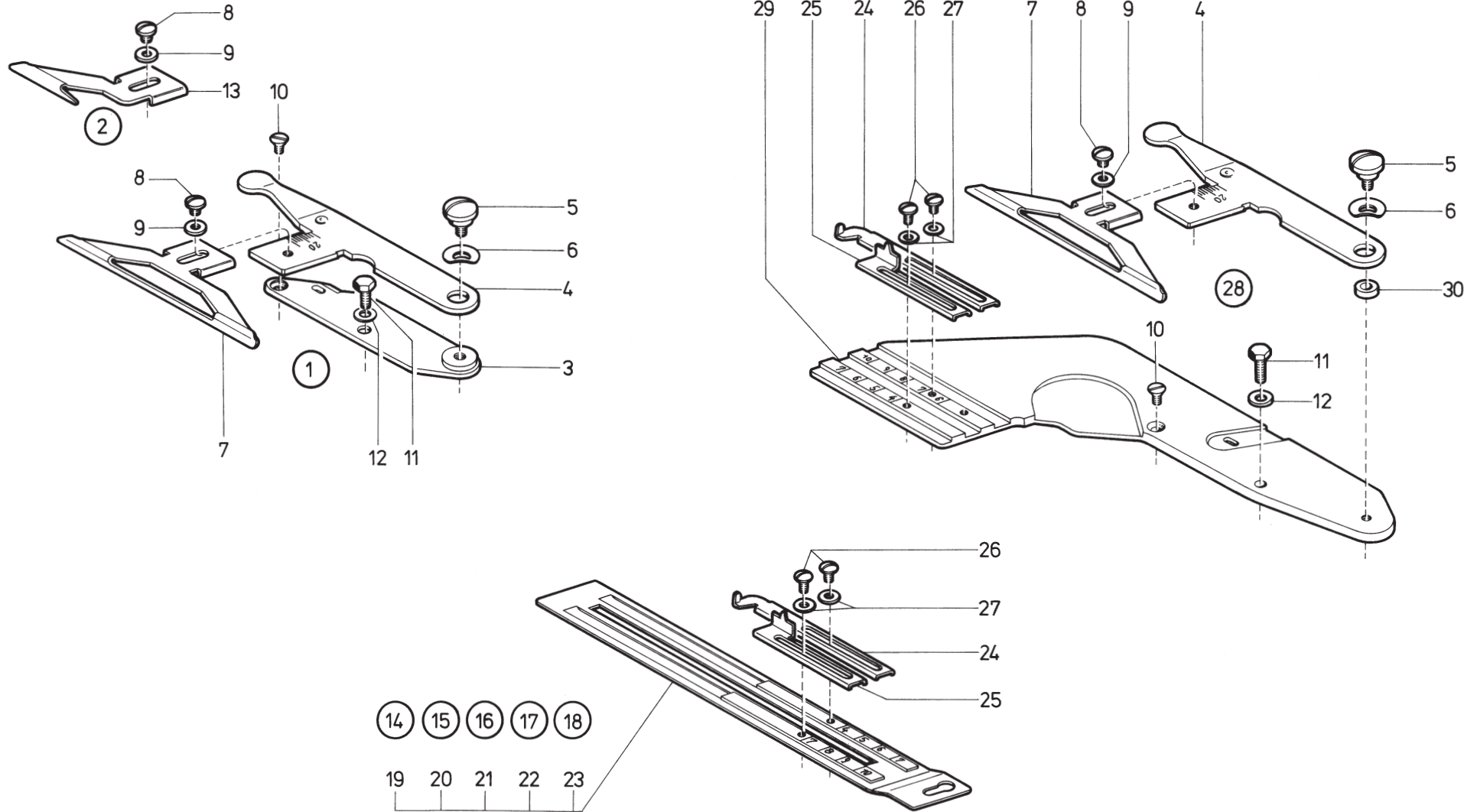


| Pos. Det. | Teile Nr. Part No. | Benennung | Denomination |
|-----------|--------------------|--|---|
| 1 | 5562301 | Manometer kpl. (best. aus Pos. 2, 3, 4, 5, 6, 7) | Manometer cpl. (consist. of pos. 2, 3, 4, 5, 6, 7) |
| 2 | 5562302 | Manometer | Manometer |
| 3 | 5562303 | Rohr | Tube |
| 4 | 5562304 | Anschl.-Verschr. (mit Pos. 5) | Joining screw connection (with pos. 5) |
| 5 | 5562307 | Scheibe | Washer |
| 6 | 5562308 | Schwenkverschr. (mit Pos. 7) | Swivelling screw-fitting (with pos. 7) |
| 7 | 5562310 | Dichtungsring | Packing ring |
| 8 | 5562311 | Meßlehre kpl. (best. aus Pos. 9 bis 19) | Measure gauge cpl. (consist. of pos. 9 up to 19) |
| 9 | 5562312 | Meßhebel | Measure lever |
| 10 | 5562315 | Meßleiste | Measure reglet |
| 11 | 5562316 | Scheibe | Washer |
| 12 | 021154 | Scheibe | Washer |
| 13 | 933587 | Tellerfeder | Cup spring |
| 14 | 5562319 | Klemmstück | Clamping piece |
| 15 | 70220 | Gewindestift | Threaded stud |
| 16 | 5562321 | Zyl.-Schraube | Cyl. head screw |
| 17 | 557263 | Scheibe | Washer |
| 18 | 57017026 | Zyl.-Schraube | Cyl. head screw |
| 19 | 711444 | Zyl.-Schraube | Cyl. head screw |
| 20 | 223531 | Lehre (mit Pos. 21) | Gauge (with pos. 21) |
| 21 | 5561382 | Zyl.-Schraube | Cyl. head screw |
| 22 | 223536c | Hubzunge | Lifting tongue |
| 23 | 5562331 | Lehre kpl. (best. aus Pos. 24, 25, 26, 27) | Gauge cpl. (consist. of pos. 24, 25, 26, 27) |
| 24 | 5562332 | Leiste | Reglet |
| 25 | 5562336 | Skalablech | Scale plate |
| 26 | 2161157 | Linsenschraube | Fillister head screw |
| 27 | 10019243 | Scheibe | Washer |
| 28 | 5562361 | Vorrichtung kpl. (best. aus Pos. 29, 30, 31, 32, 33) | Pulling-off device cpl. (consist. of pos. 29, 30, 31, 32, 33) |
| 29 | 5562362 | Abziehscheibe | Pulling plate |
| 30 | 5562363 | Zyl.-Schraube | Cyl. head screw |
| 31 | 2658555 | Sicherungsring | Retaining ring |
| 32 | 7425726 | Zyl.-Schraube | Cyl. head screw |
| 33 | 5562366 | Zyl.-Schraube | Cyl. head screw |

| Pos. Det. | Teile Nr. Part No. | Benennung | Denomination |
|-----------|--------------------|-------------------------------|--------------------------------------|
| 34 | 5562231 | Einstellehre (mit Pos. 35) | Setting gauge (with pos. 35) |
| 35 | 21110125 | Einstellstift | Setting pin |
| 36 | 5562236 | Einstellehre (mit Pos. 37) | Setting gauge (with pos. 37) |
| 37 | 5562238 | Zapfenschraube | Pilot screw |
| 38 | 5562240 | Einstellstift | Setting pin |
| 39 | 5562259 | Dose Riemenwachs | Box of belt wax |
| 40 | 5562260 | Einstellehre | Setting gauge |
| 41 | 5562221 | Vorrichtung (mit Pos. 42) | Pulling-off device (with pos. 42) |
| 42 | 5562223 | Gewinding | Ring follower |

| Pos. Det. | Teile Nr. Part No. | Benennung | Denomination |
|-----------|--------------------|-----------|--------------|
|-----------|--------------------|-----------|--------------|

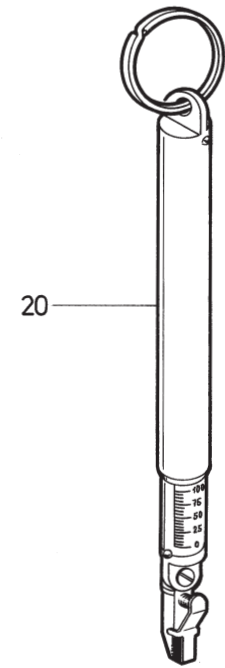
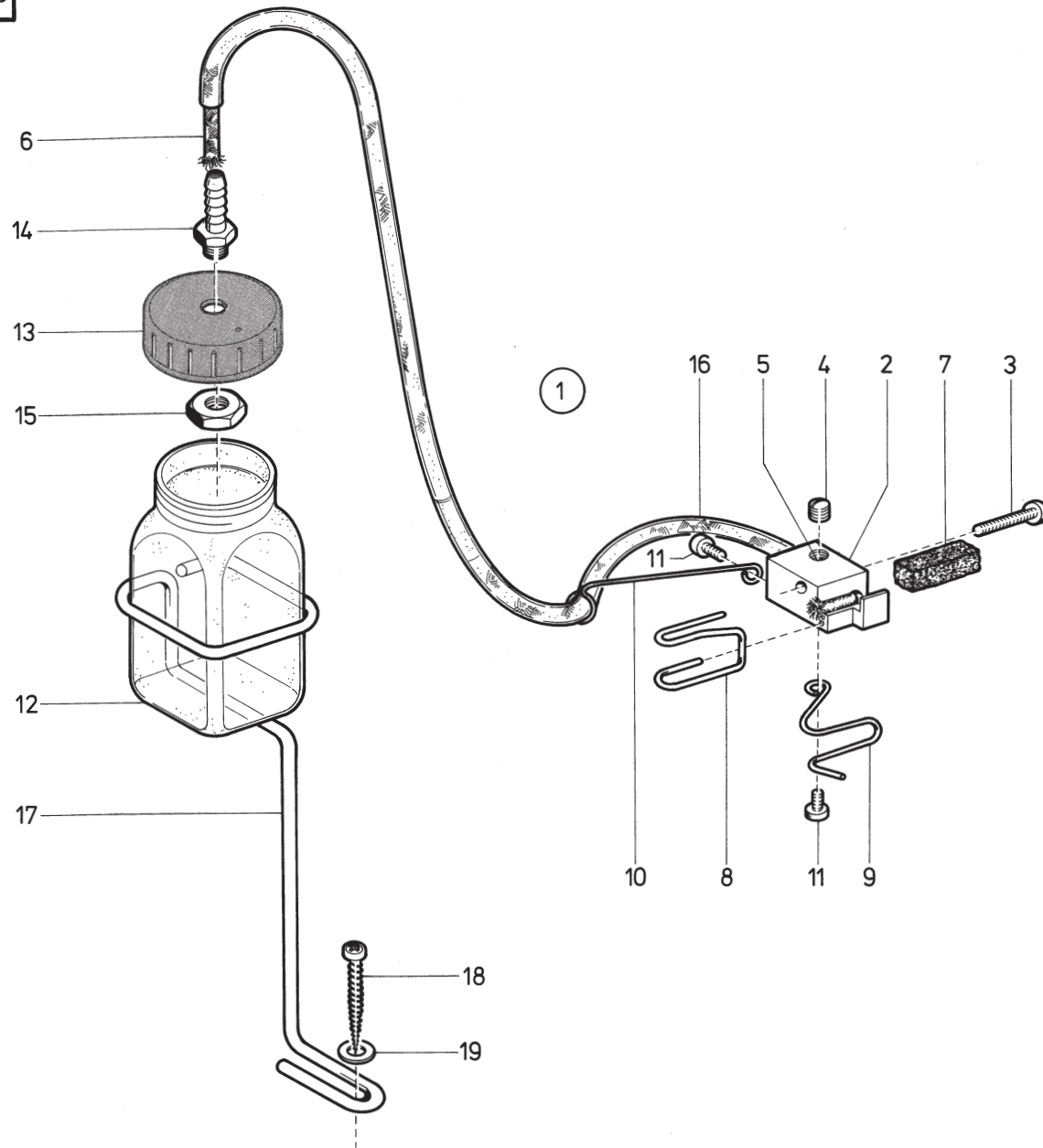


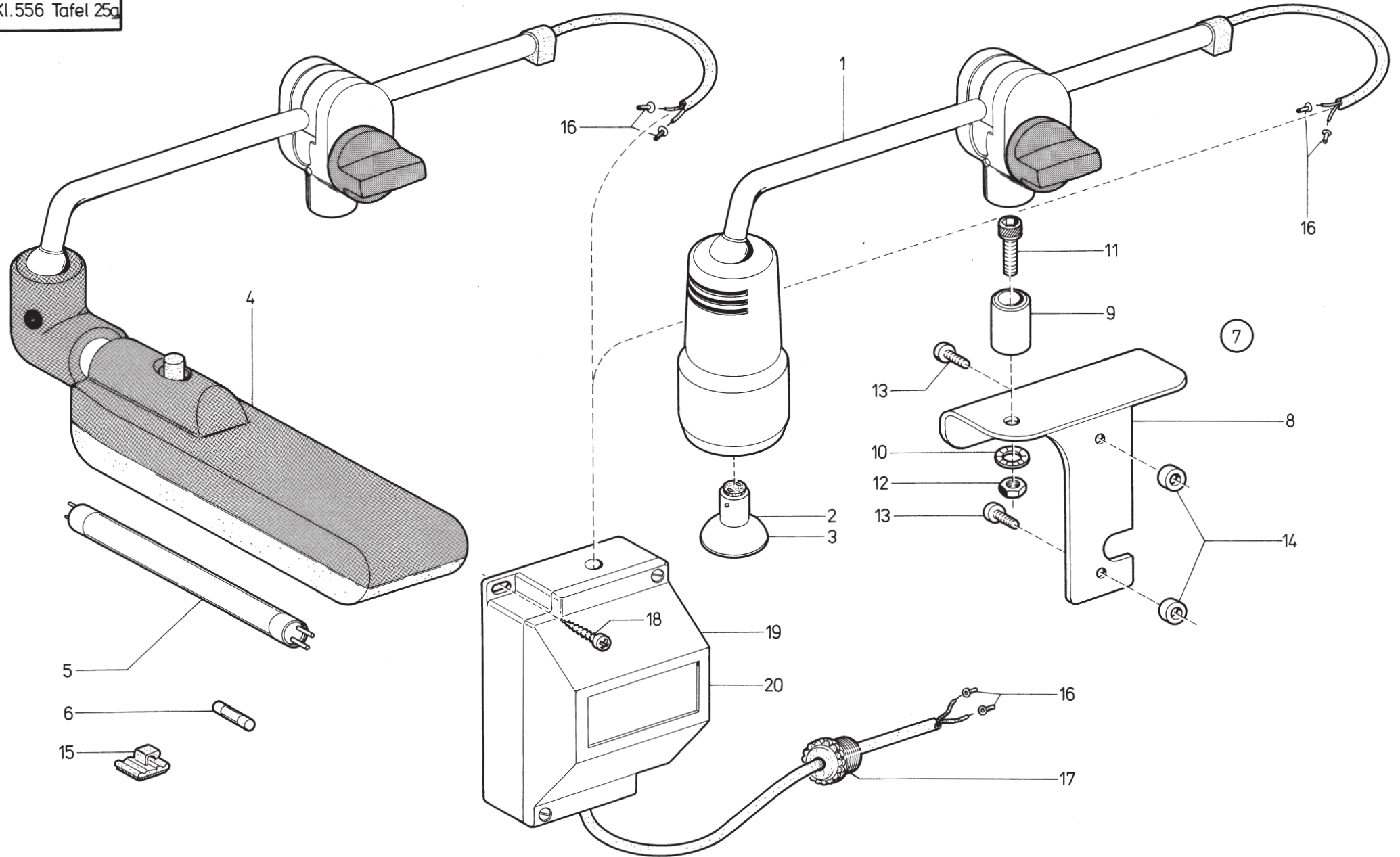


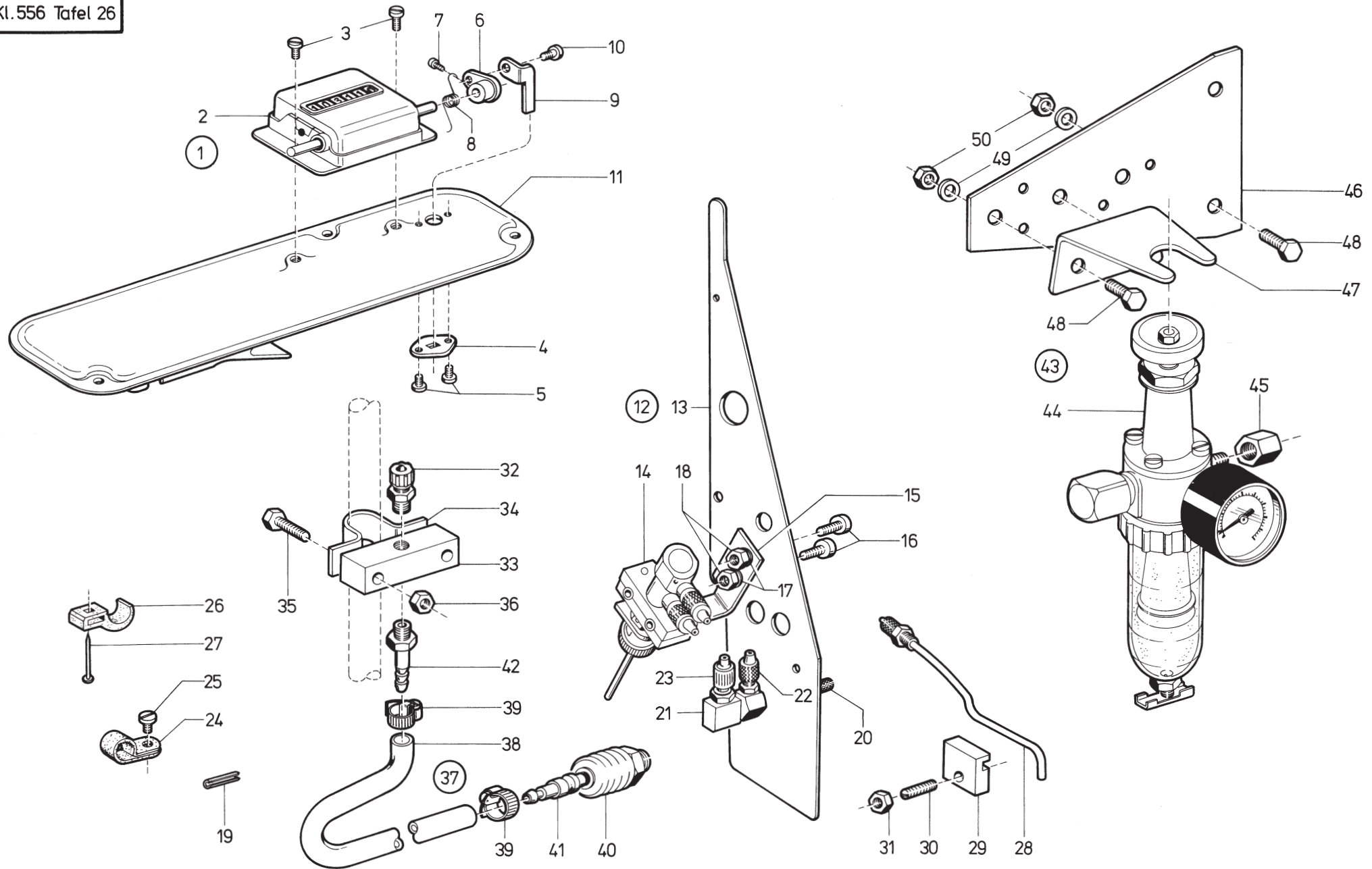
| Pos. Det. | Teile Nr. Part No. | Benennung | Denomination |
|-----------|--------------------|---|--|
| 1 | 5562581 | Stoffanschlag kpl. (best. aus Pos. 3 bis 12) | Cloth stop cpl. (cons. of pos. 3 up to 12) |
| 2 | 5562598 | Stoffanschlag kpl. (best. aus Pos. 3 bis 6 und 8 bis 13) | Cloth stop cpl. (consist. of pos. 3 up to 6 and 8 up to 13) |
| 3 | 5562582 | Grundplatte | Base plate |
| 4 | 5562585 | Schwenkhebel | Swivelling lever |
| 5 | 5562588 | Linsenschraube | Fillister head screw |
| 6 | 216425 | Federscheibe | Spring washer |
| 7 | 5562591 | Stoffanschlag | Cloth stop |
| 8 | 902423 | Linsenschraube | Fillister head screw |
| 9 | 024275 | Scheibe | Washer |
| 10 | 7395347 | Senkschraube | Countersunk screw |
| 11 | 556387 | 6kt.-Schraube | Hexagonal screw |
| 12 | 5691895 | Scheibe | Washer |
| 13 | 5562599 | Stoffanschlag | Cloth stop |
| 14 | 5562561 | Knopflochanschlag kpl. (best. aus Pos. 19 und 24 bis 27) * | Button hole stop cpl. (cons. of pos. 19 and 24 up to 27) * |
| 15 | 5562562 | Knopflochanschlag kpl. (best. aus Pos. 20 und 24 bis 27) * | Button hole stop cpl. (cons. of pos. 20 and 24 up to 27) * |
| 16 | 5562563 | Knopflochanschlag kpl. (best. aus Pos. 21 und 24 bis 27) * | Button hole stop cpl. (cons. of pos. 21 and 24 up to 27) * |
| 17 | 5562641 | Knopflochanschlag kpl. (best. aus Pos. 22 und 24 bis 27) * | Button hole stop cpl. (cons. of pos. 22 and 24 up to 27) * |
| 18 | 5562642 | Knopflochanschlag kpl. (best. aus Pos. 23 und 24 bis 27) * | Button hole stop cpl. (cons. of pos. 23 and 24 up to 27) * |
| 19 | 5562564 | Längenschieber | Longitudinal slide |
| 20 | 5562565 | Längenschieber | Longitudinal slide |
| 21 | 5562566 | Längenschieber | Longitudinal slide |
| 22 | 5562646 | Längenschieber | Longitudinal slide |
| 23 | 5562647 | Längenschieber | Longitudinal slide |
| 24 | 5562572 | Anschlag | Stop |
| 25 | 5562573 | Anschlag | Stop |
| 26 | 911339 | Linsenschraube | Fillister head screw |
| 27 | 570975 | Scheibe | Washer |
| 28 | 5562741 | Knopflochanschlag kpl. (best. aus Pos. 4 bis 12, 24 bis 27, 29 und 30) | Button hole stop motion device cpl. (cons. of pos. 4 up to 12, 24 up to 27, 29, 30) |

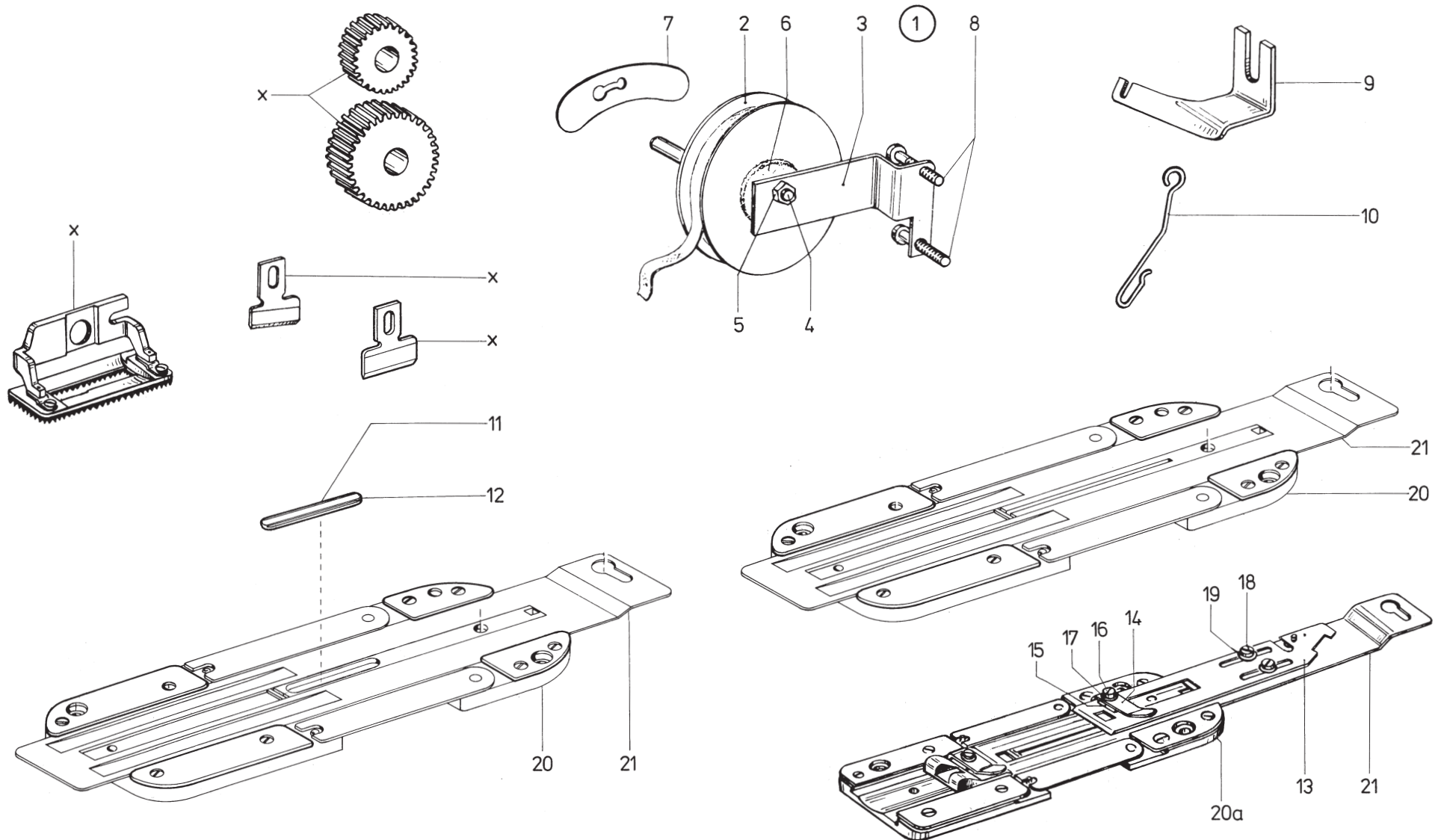
| Pos. Det. | Teile Nr. Part No. | Benennung | Denomination |
|-----------|--------------------|-------------------|--|
| 29 | 5562742 | Grundplatte | Base plate |
| 30 | 5562754 | Buchse | Bush |
| * | | max. Riegelbreite | schmale Auflagefläche Maxim. bar tacks width Small area of support |
| | | | ja nein yes no |
| 14 | 5562561 | 5 mm | X 5 mm X |
| 15 | 5562562 | 7 mm | X 7 mm X |
| 16 | 5562563 | 3 mm | X 3 mm X |
| 17 | 5562641 | 4 mm | X 4 mm X |
| 18 | 5562642 | 5 mm | X 5 mm X |

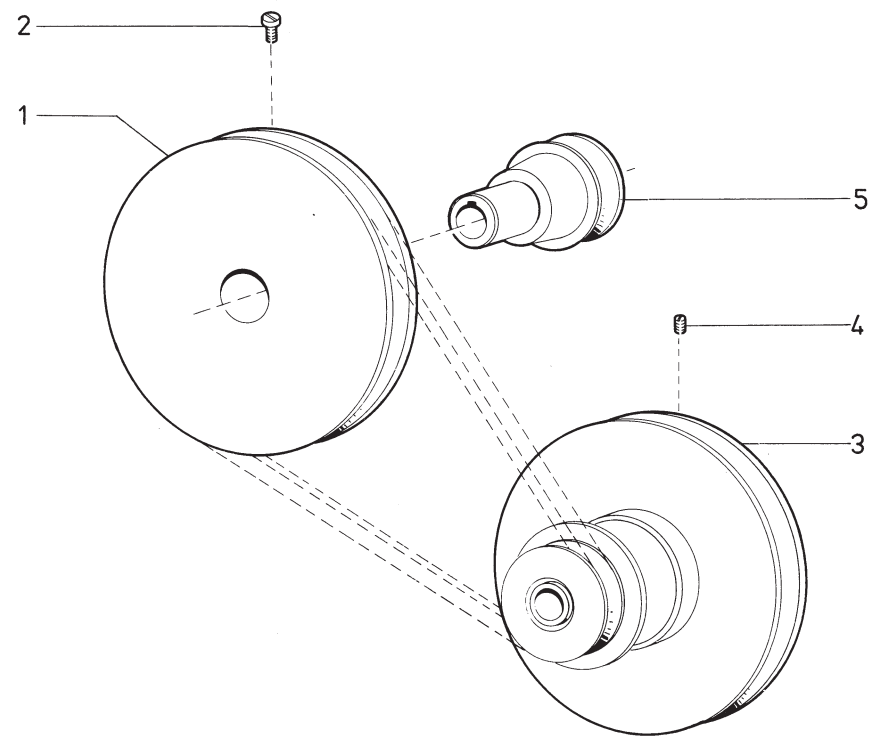
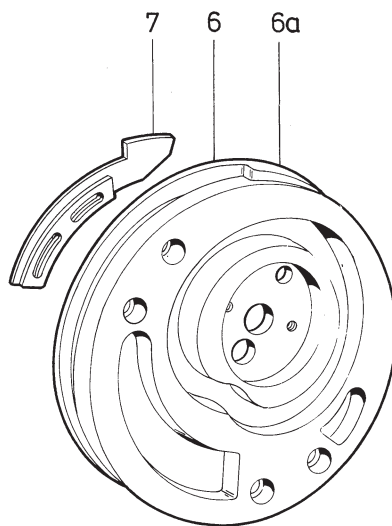
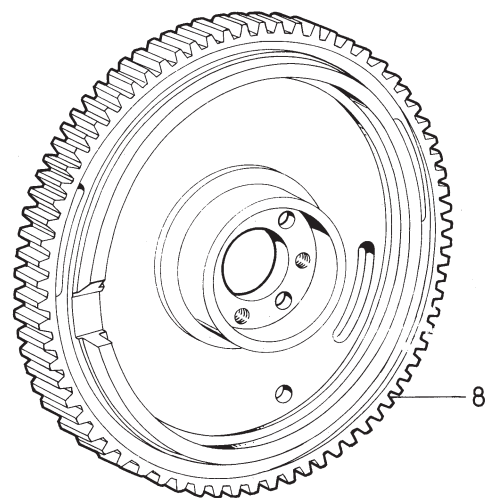
| Pos. Det. | Teile Nr. Part No. | Benennung | Denomination |
|-----------|--------------------|-----------|--------------|
| | | | |

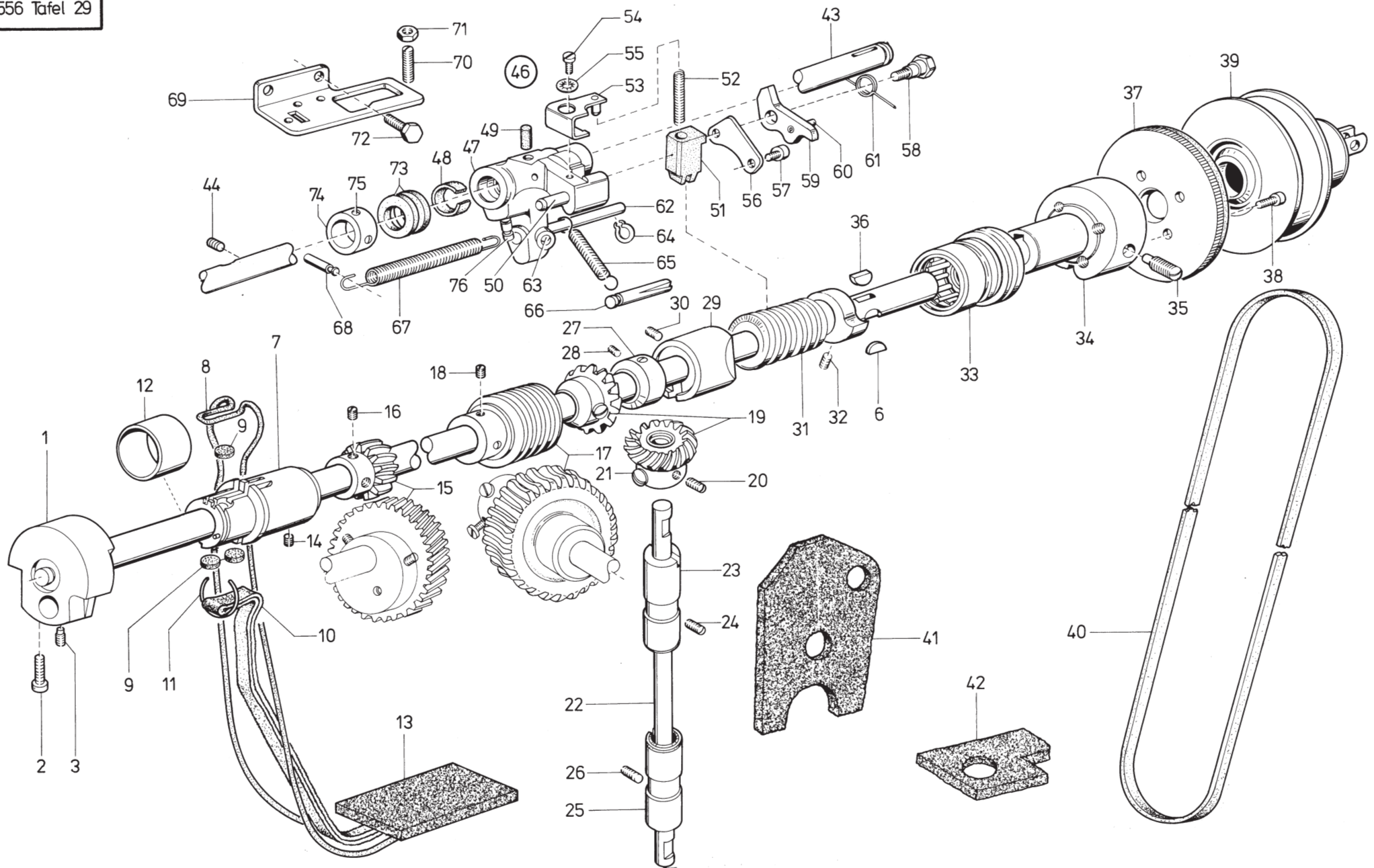








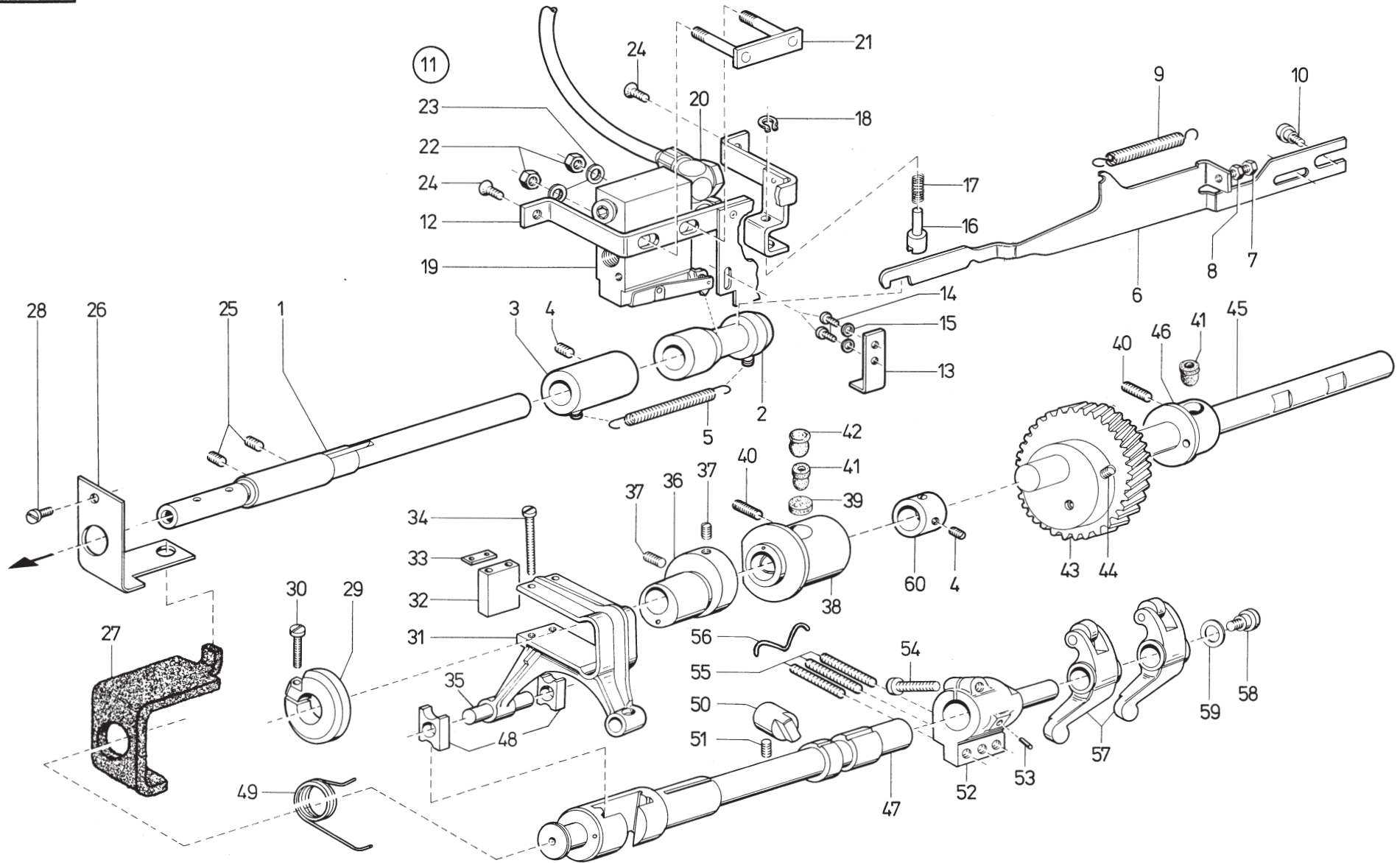


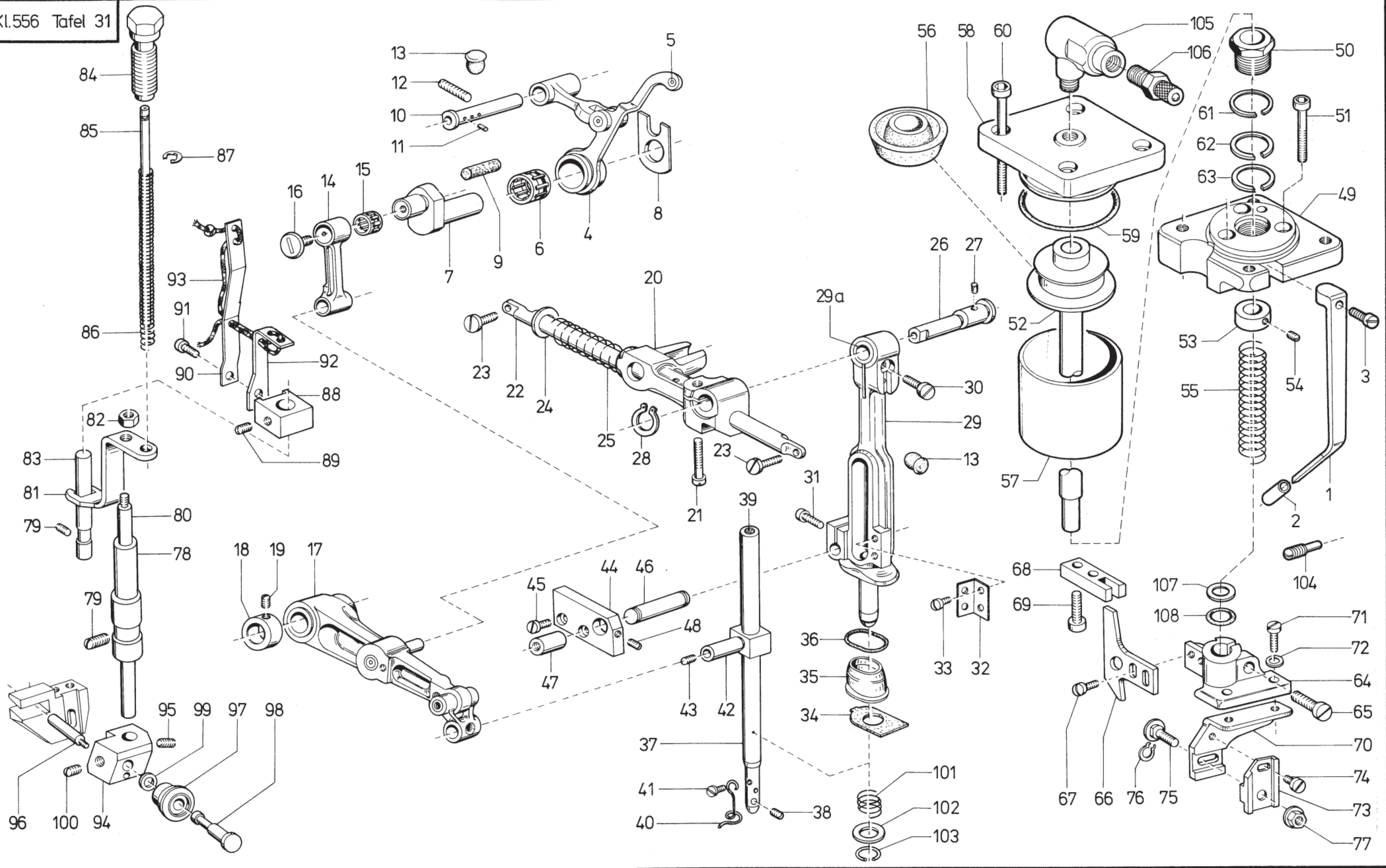


| Pos. Det. | Teile Nr. Part No. | Benennung | Denomination |
|--------------|-----------------------|---|---|
| | | Kl. 556- -5101, -5121, -202101, -205101 | Cl. 556- -5101, -5121, -202101, -205101 |
| 1 | 55614971 | Armwelle kpl. (mit Pos. 2, 3) | Arm shaft cpl. (with pos. 2, 3) |
| 2 | 902446 | Zyl.-Schraube | Cyl. head screw |
| 3 | 55614975 | Gewindestift | Threaded stud |
| 6 | 72313 | Scheibenfeder | Disk spring |
| 7 | 55614978 | Armlager kpl. (mit Pos. 8, 9, 10, 11, 12) | Arm shaft bearing cpl. (with pos. 8, 9, 10, 11, 12) |
| 8 | 211194 | Öldocht | Oil wick |
| 9 | 240580 | Ölfilz | Oil felt |
| 10 | 55626 | Öldocht | Oil wick |
| 11 | 55627 | Federring | Spring ring |
| 12 | 55628 | Ring | Ring |
| 13 | 5567 | Filzteil | Felt |
| 14 | 55633 | Gewindestift | Threaded stud |
| 15 | 556201 | Zahnradpaar kpl. (mit Pos. 16, und Pos. 63, 64 auf Tafel 2) | Gear pair cpl. (with pos. 16, and pos. 63, 64 on table 2) |
| 16 | 223237 | Gewindestift | Threaded stud |
| 17 | 556746 | Schneckentrieb kpl. (mit Pos. 18 und Pos. 23, 24 auf Tafel 4) | Worm gearing cpl. (with pos. 18 and pos. 23, 24 on table 4) |
| 18 | 223237 | Gewindestift | Threaded stud |
| 19 | 5561464 | Kegelradpaar kpl. (mit Pos. 20 und 21) | Pair of mating bevel wheels (with pos. 20 and 21) |
| 20 | 223237 | Gewindestift | Threaded stud |
| 21 | 5561469 | Zyl.-Schraube | Cyl. head screw |
| 22 | 5561462 | Welle | Shaft |
| 23 | 5561457 | Lager | Bearing |
| 24 | 223245 | Gewindestift | Threaded stud |
| 25 | 5561459 | Lager | Bearing |
| 26 | 5561093 | Gewindestift | Threaded stud |
| 27 | 570258 | Stellring kpl. (mit Pos. 28) | Set collar cpl. (with pos. 28) |
| 28 | 42084 | Gewindestift | Threaded stud |
| 29 | 55639 | Lager | Bearing |
| 30 | 223245 | Gewindestift | Threaded stud |
| 31 | 5561061 | Schnecke (mit Pos. 32) | Worm (with pos. 32) |

| Pos. Det. | Teile Nr. Part No. | Benennung | Denomination |
|--------------|-----------------------|---|---|
| 32 | 223648 | Gewindestift | Threaded stud |
| 33 | 55644 | Nadaxlager | Nadax needle bearing |
| 34 | 55615015 | Bremsstück (mit Pos. 35, 36) | Brake piece (with pos. 35, 36) |
| 35 | 570495 | Gewindestift | Threaded stud |
| 36 | 570497 | Scheibenfeder | Disk spring |
| 37 | 5561181 | Kupplung.-Scheibe | Clutch disk |
| 38 | 5561184 | Zyl.-Schraube | Cyl. head screw |
| 39 | 5561189 | Riemenscheibe | Belt disk |
| 40 | 5562065a | Antriebsriemen | Driving belt |
| 41 | 556764 | Ölfilz | Oil felt |
| 42 | 5561379 | Filzteil | Felt |
| 43 | 55615112 | Welle | Shaft |
| 44 | 21642 | Gewindestift | Threaded stud |
| 46 | 5561064k | Auslösehebel kpl. (best. aus Pos. 47 und 50 bis 61) | Releasing lever cpl. (cons. of pos. 47 and 50 up to 61) |
| 47 | 5561064 | Auslösehebel (mit Pos. 48, 49 und 76) | Releasing lever (with pos. 48, 49 and 76) |
| 48 | 5561066 | Filzteil | Felt |
| 49 | 5561067 | Ölfilz | Oil felt |
| 50 | 5561068a | Bolzen | Bolt |
| 51 | 5561070 | Gewindebacken | Adjustable screw dies |
| 52 | 5561073 | Druckfeder | Pressure spring |
| 53 | 5561074k | Federhalter | Spring holder |
| 54 | 739255 | Zyl.-Schraube | Cyl. head screw |
| 55 | 96554 | Zahnscheibe | Tooth lock washer |
| 56 | 5561076 | Führungsblech | Guide plate |
| 57 | 5561077 | Zyl.-Schraube | Cyl. head screw |
| 58 | 5561078 | Ansatzschraube | Shoulder screw |
| 59 | 5561080 | Klinke (mit Pos. 60) | Pawl (with pos. 60) |
| 60 | 2653046 | Spannhülse | Clamping sleeve |
| 61 | 5561084 | Drehfeder | Torsion spring |
| 62 | 5561086 | Zylinderstift | Strait pin |
| 63 | 531471 | Gewindestift | Threaded stud |
| 64 | P121/150 | Greifring | Gripping ring |
| 65 | 5561089 | Zugfeder | Draw spring |
| 66 | 5561090 | Kerbstift | Grooved pin |
| 67 | 5561091 | Zugfeder | Draw spring |
| 68 | 5561092 | Kerbstift | Grooved pin |
| 69 | 5561095 | Anschlagwinkel | Stop square |
| 70 | 5561093 | Gewindestift | Threaded stud |

| Pos. Det. | Teile Nr. Part No. | Benennung | Denomination |
|--------------|-----------------------|---------------------------------|-----------------------------------|
| 71 | 2522389 | 6kt.-Mutter | Hexagonal nut |
| 72 | 216542 | 6kt.-Schraube | Hexagonal screw |
| 73 | 7461495 | Ring | Ring |
| 74 | 5561099k | Stellring kpl. (mit Pos. 75) | Set collar cpl. (with pos. 75) |
| 75 | 42084 | Gewindestift | Threaded stud |
| 76 | 5561069 | Rändelstift | Knurled pin |

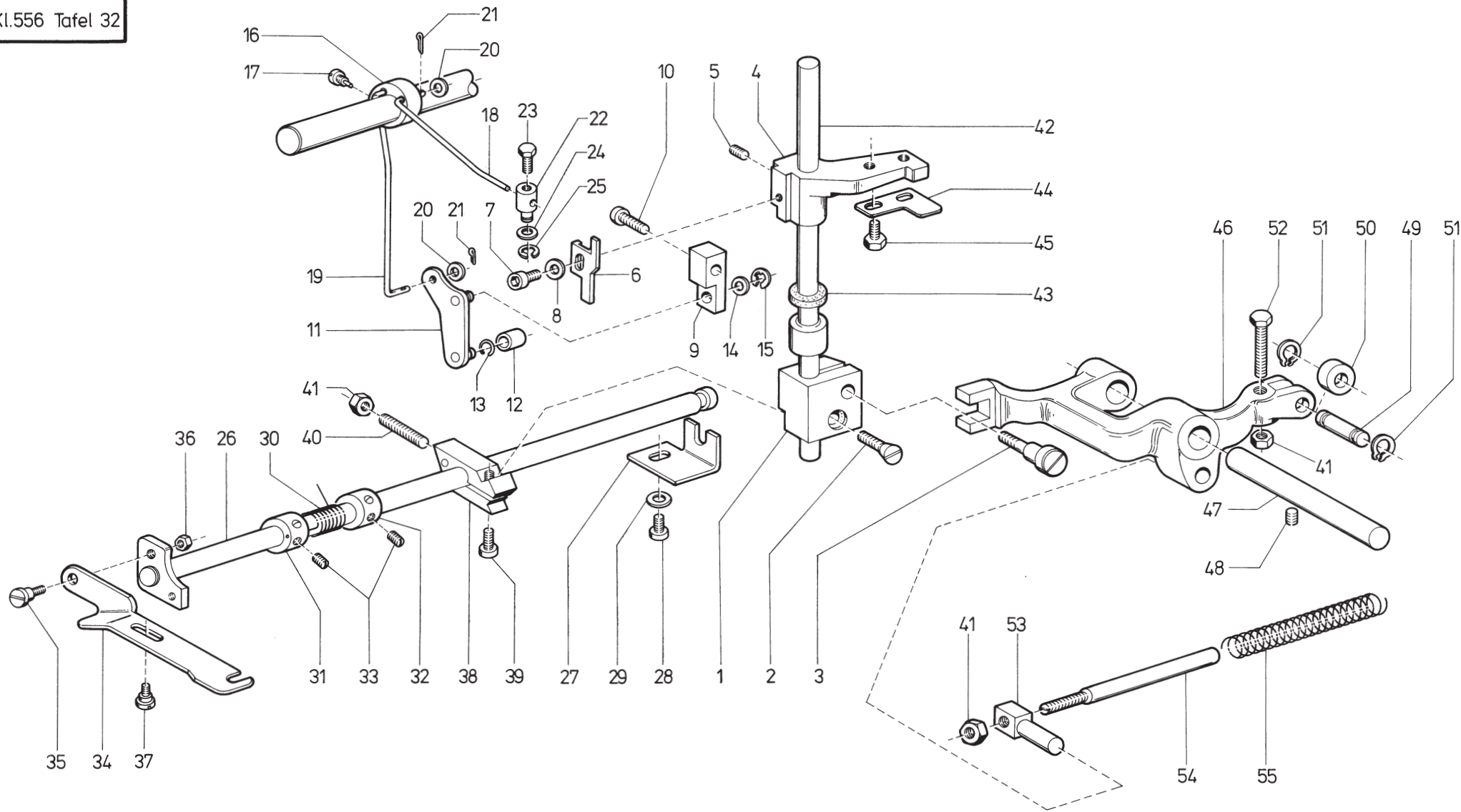


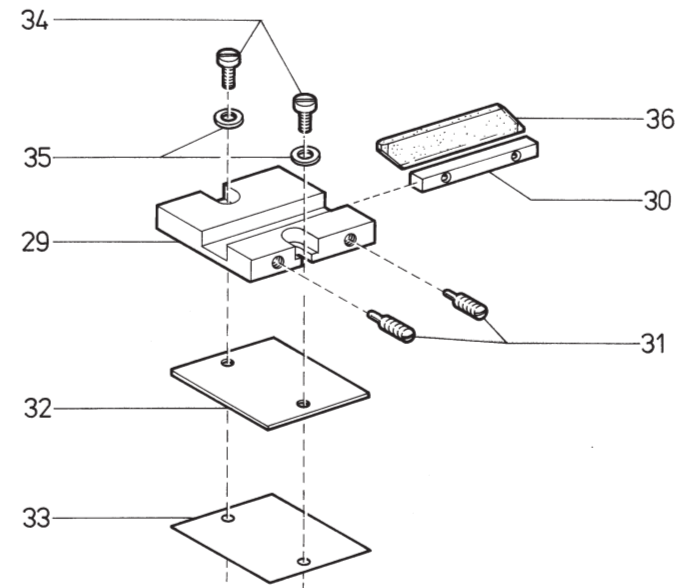
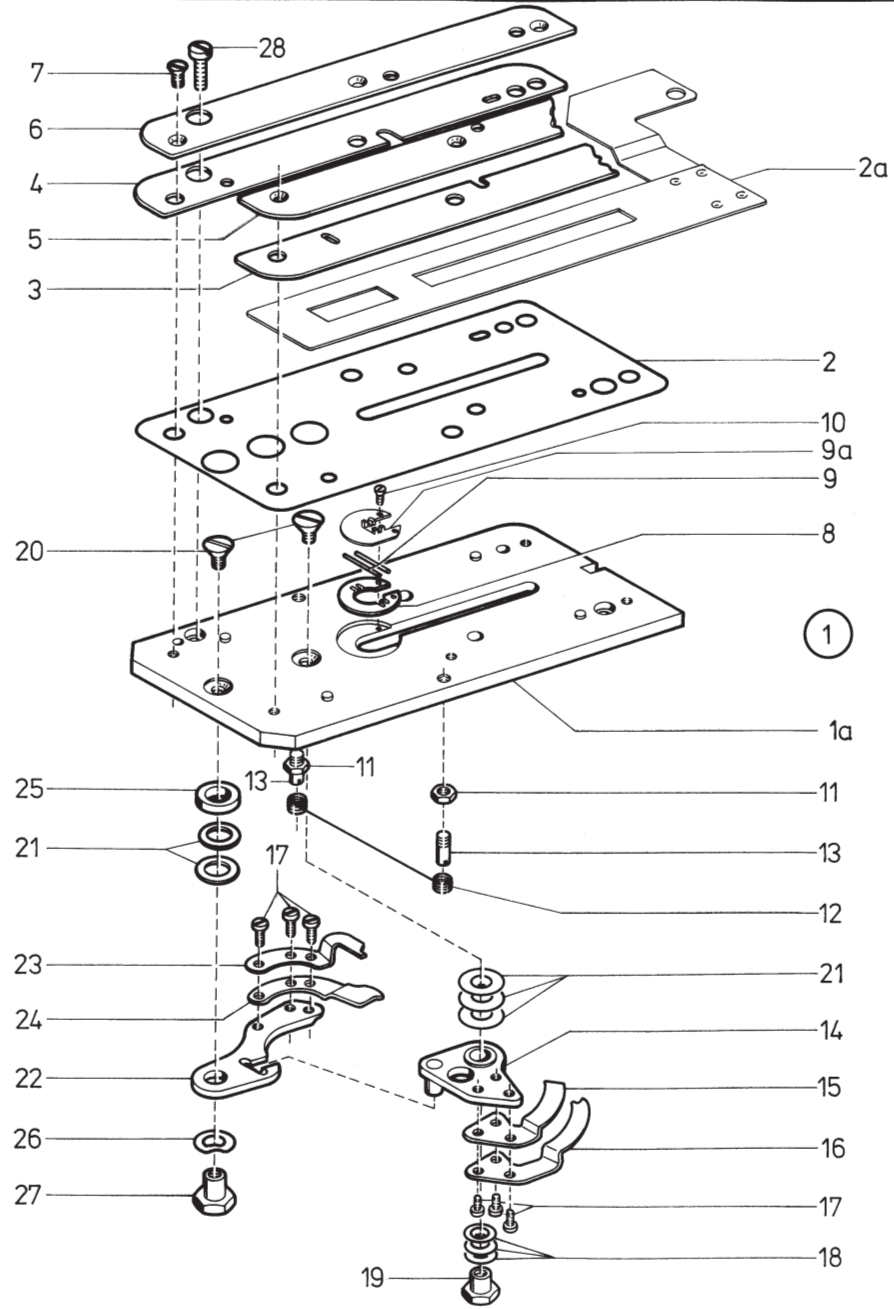


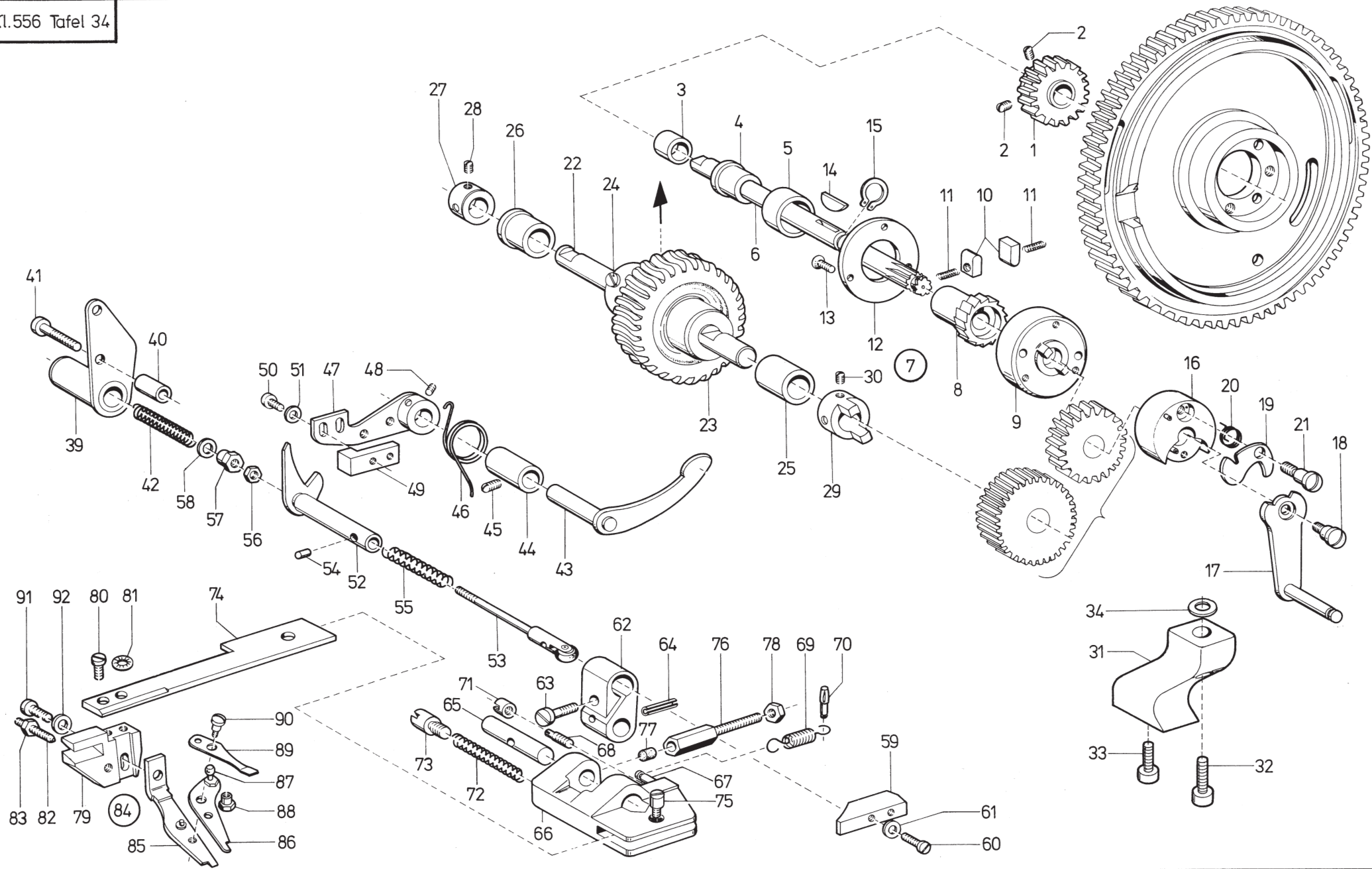
| Pos. Det. | Teile Nr. Part No. | Benennung | Denomination |
|--------------|-----------------------|---|---|
| | | Kl. 556- -5101, -5121, -202101, -205101 | Cl. 556- -5101, -5121, -202101, -205101 |
| 1 | 55615174 | Schutzbügel kpl. (mit Pos. 2) | Guard bow cpl. (with pos. 2) |
| 2 | 265379b | Hülse | Sleeve |
| 3 | 5693278 | Zyl.-Schraube | Cyl. head screw |
| 4 | 55657 | Fadenhebel (mit Pos. 5) | Thread lever (with pos. 5) |
| 5 | 55663 | Buchse | Bush |
| 6 | 55671 | Nadelkäfig | Needle cage |
| 7 | 55614981 | Kurbelzapfen (mit Pos. 9) | Crank pin (with pos. 9) |
| 8 | 55655 | Anlageplatte | Lay-on plate |
| 9 | 5701099 | Filzteil | Felt |
| 10 | 55673 | Lagerbolzen (mit Pos. 11) | Bearing bolt (with pos. 11) |
| 11 | 265704 | Ölfilz | Oil felt |
| 12 | 55678 | Gewindestift | Threaded stud |
| 13 | 2117 | Verschlusskappe | Sealing cap |
| 14 | 55614984 | Nadelzugstange | Needle draw bar |
| 15 | 265106 | Nadelkäfig | Needle cage |
| 16 | 211398 | Deckschraube | Cover screw |
| 17 | 55688 | Hebel | Lever |
| 18 | 556103 | Stellring (mit Pos. 19) | Set collar (with pos. 19) |
| 19 | 70220 | Gewindestift | Threaded stud |
| 20 | 556111 | Schieber (mit Pos. 21) | Slide (with pos. 21) |
| 21 | 902429 | Zyl.-Schraube | Cyl. head screw |
| 22 | 556107 | Achse | Axle |
| 23 | 902602 | Zyl.-Schraube | Cyl. head screw |
| 24 | 10059201 | Scheibe | Washer |
| 25 | 556110 | Druckfeder | Pressure spring |
| 26 | 556115 | Exzenterbolzen (mit Pos. 27) | Eccentric bolt (with pos. 27) |
| 27 | 211647 | Ölfilz | Oil felt |
| 28 | 5701174 | Greifring | Gripping ring |
| 29 | 556121 | Nadelst.-Kulisse (mit Pos. 29a, 30, 31, 32, 33, 35) | Needle bar crank (with pos. 29,a, 30, 31, 32, 33, 35) |
| 29a | 556123 | Buchse | Bush |
| 30 | 213370 | Zyl.-Schraube | Cyl. head screw |

| Pos. Det. | Teile Nr. Part No. | Benennung | Denomination |
|--------------|-----------------------|---|---|
| 31 | 556125 | Zyl.-Schraube | Cyl. head screw |
| 32 | 556135 | Winkel | Angle |
| 33 | 5572301 | Zyl.-Schraube | Cyl. head screw |
| 34 | 556128 | Platte | Plate |
| 35 | 556141 | Ölschutzkappe | Oil protecting cap |
| 36 | 911290 | Gummiring | Rubber ring |
| 37 | 556144 | Nadelstange (mit Pos. 38, 39, 40, 41) | Needle bar (with pos. 38, 39, 40, 41) |
| 38 | 556148 | Gewindestift | Threaded stud |
| 39 | 57010007 | Gummistopfen | Rubber plug |
| 40 | 556150 | Fadenöse | Thread eye |
| 41 | 27079 | Zyl.-Schraube | Cyl. head screw |
| 42 | 556151 | Kreuzkopf (mit Pos. 43) | Cross head (with pos. 43) |
| 43 | 5411395 | Gewindestift | Threaded stud |
| 44 | 556161 | Anlageplatte | Lay-on plate |
| 45 | 21698 | Zyl.-Schraube | Cyl. head screw |
| 46 | 556156 | Führungsbolzen | Guide bolt |
| 47 | 265151 | Führungsbolzen | Guide bolt |
| 48 | 223669 | Gewindestift | Threaded stud |
| 49 | 55615055 | Flansch | Flange |
| 50 | 55615058 | Gewindebuchse | Screw socket |
| 51 | 5701594 | Zyl.-Schraube | Cyl. head screw |
| 52 | 55615066 | Messerstange | Knife bar |
| 53 | 55615073 | Ring | Ring |
| 54 | 7461315 | Gewindestift | Threaded stud |
| 55 | 55615075 | Druckfeder | Pressure spring |
| 56 | 55615071 | Lippenring | Lip ring |
| 57 | 55615078 | Zylinderrohr | Cylinder jacket |
| 58 | 55615079 | Zylinderdeckel | Cylinder head |
| 59 | 5561556 | Rundschnurring | Round cord ring |
| 60 | 5701368 | Zyl.-Schraube | Cyl. head screw |
| 61 | 55615061 | Scheibe | Washer |
| 62 | 55615062 | Scheibe | Washer |
| 63 | 55615063 | Scheibe | Washer |
| 64 | 556355 | Messerstg.-Kloben (mit Pos. 65) | Knife bar block (with pos. 65) |
| 65 | 556357 | Zyl.-Schraube | Cyl. head screw |
| 66 | 556359 | Führungsleiste | Guidance reglet |
| 67 | 21688 | Linsenschraube | Fillister head screw |
| 68 | 556361 | Führungsgabel | Guidance fork |
| 69 | 246984 | Zyl.-Schraube | Cyl. head screw |

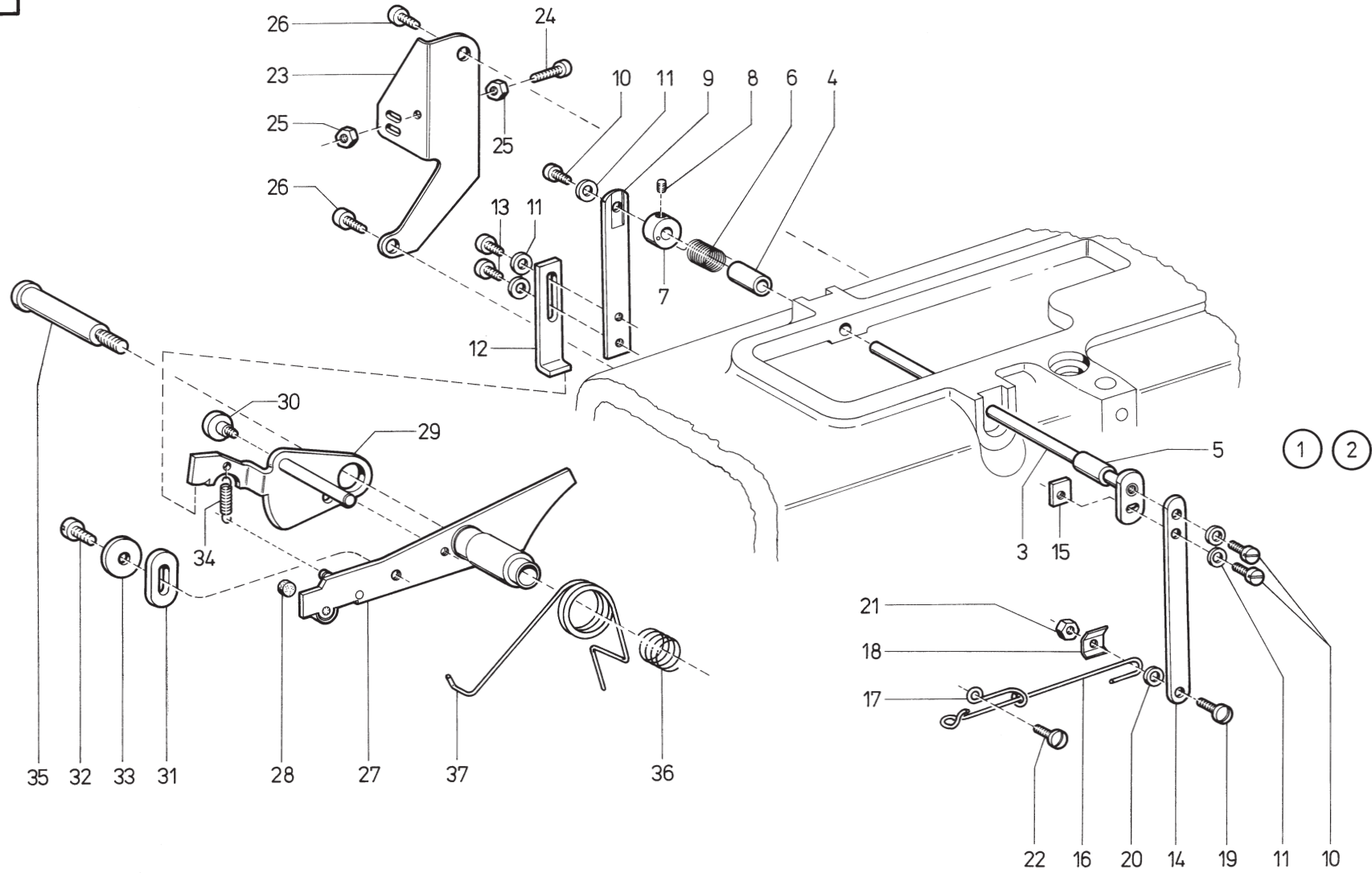
| Pos. Det. | Teile Nr. Part No. | Benennung | Denomination |
|--------------|-----------------------|---------------------------------|---------------------------------|
| 70 | 556366 | Messerträger | Knife carrier |
| 71 | 570912 | Zyl.-Schraube | Cyl. head screw |
| 72 | 531460 | Scheibe | Washer |
| 73 | 556370 | Messerhalter | Knife holder |
| 74 | 10019128 | Zyl.-Schraube | Cyl. head screw |
| 75 | 556374 | Bolzen | Bolt |
| 76 | 420613 | Sicher.-Scheibe | Lock washer |
| 77 | 556377 | Mutter kpl. | Nut cpl. |
| 78 | 556421 | Stoffstg.-Buchse | Cloth pressure bar bush |
| 79 | 902140 | Gewindestift | Threaded stud |
| 80 | 556424 | Stoffstange | Cloth pressure bar |
| 81 | 556426 | Führungsstück | Guide piece |
| 82 | 212232 | 6kt.-Mutter | Hexagonal nut |
| 83 | 556431 | Führungsbolzen | Guide bolt |
| 84 | 55615053 | Regulierbuchse | Regulating bush |
| 85 | 556434 | Federführung | Spring guidance |
| 86 | 556433 | Druckfeder | Pressure spring |
| 87 | 255129 | Sicher.-Scheibe | Lock washer |
| 88 | 556437 | Kloben (mit Pos. 89, 90, 91) | Block (with pos. 89, 90, 91) |
| 89 | 5411345 | Gewindestift | Threaded stud |
| 90 | 55614999 | Blech | Sheet metal plate |
| 91 | 57010725 | Zyl.-Schraube | Cyl. head screw |
| 92 | 556440 | Dochthalter | Wick holder |
| 93 | 21183 | Öldocht | Oil wick |
| 94 | 556441 | Kloben (mit Pos. 95) | Block (with pos. 95) |
| 95 | 223648 | Gewindestift | Threaded stud |
| 96 | 556443 | Schaftschraube | Headless screw |
| 97 | 556445 | Führungsrolle | Guide roll |
| 98 | 556446 | Bolzen | Bolt |
| 99 | 9336274 | Scheibe | Washer |
| 100 | 223237 | Gewindestift | Threaded bolt |
| 101 | 265136 | Druckfeder | Pressure spring |
| 102 | 216216 | Scheibe | Washer |
| 103 | 265138 | Sprengring | Retaining ring |
| 104 | 556958 | Gewindestift (zu Pos. 1) | Threaded stud (to pos. 1) |
| 105 | 797406 | Schnellentlüftung | Quick action air relief |
| 106 | 74423566 | Schl.-Verschr. | Hose coupling screw |
| 107 | 55615076 | Scheibe | Washer |
| 108 | 55614204 | Rundschnurring | Round cord ring |

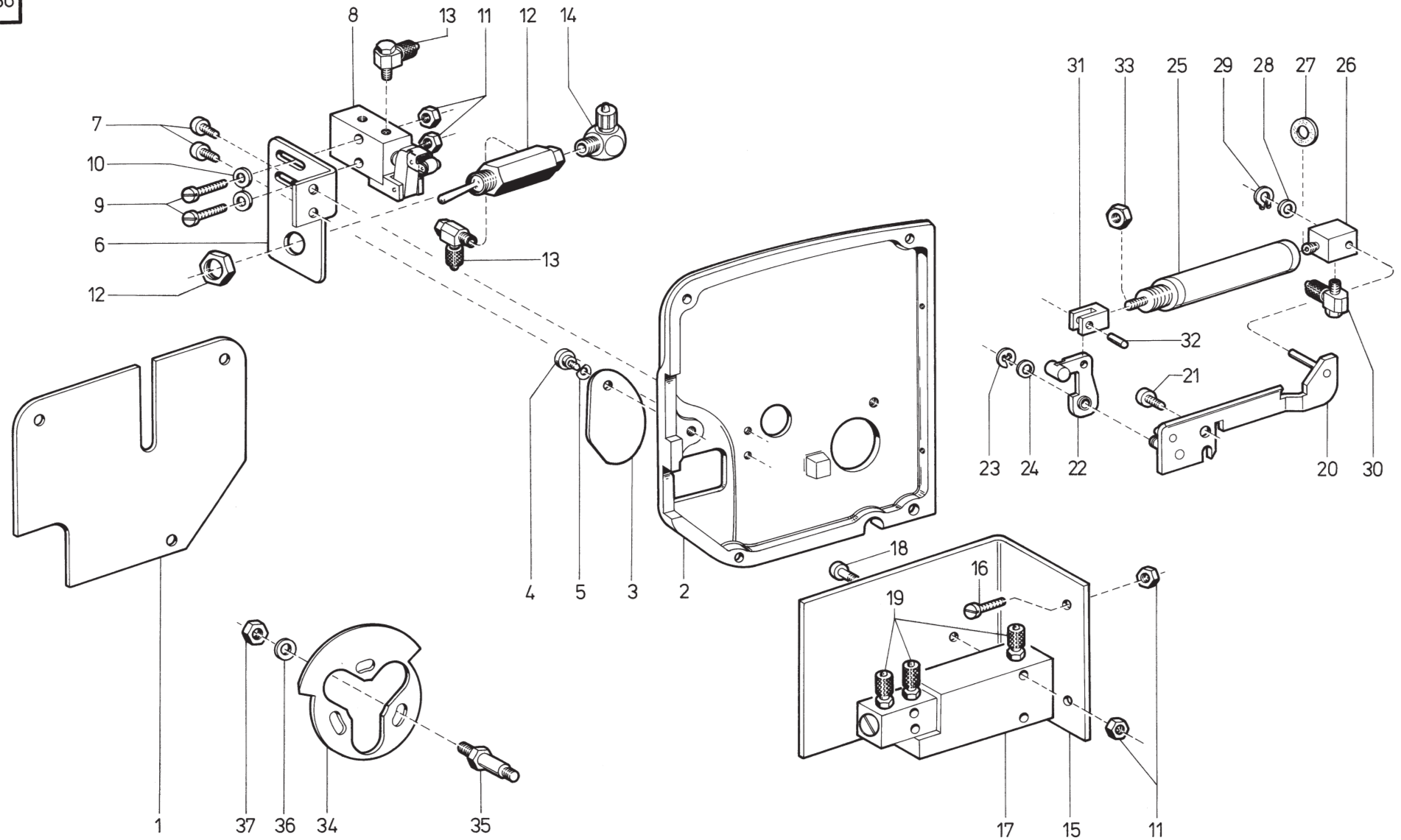


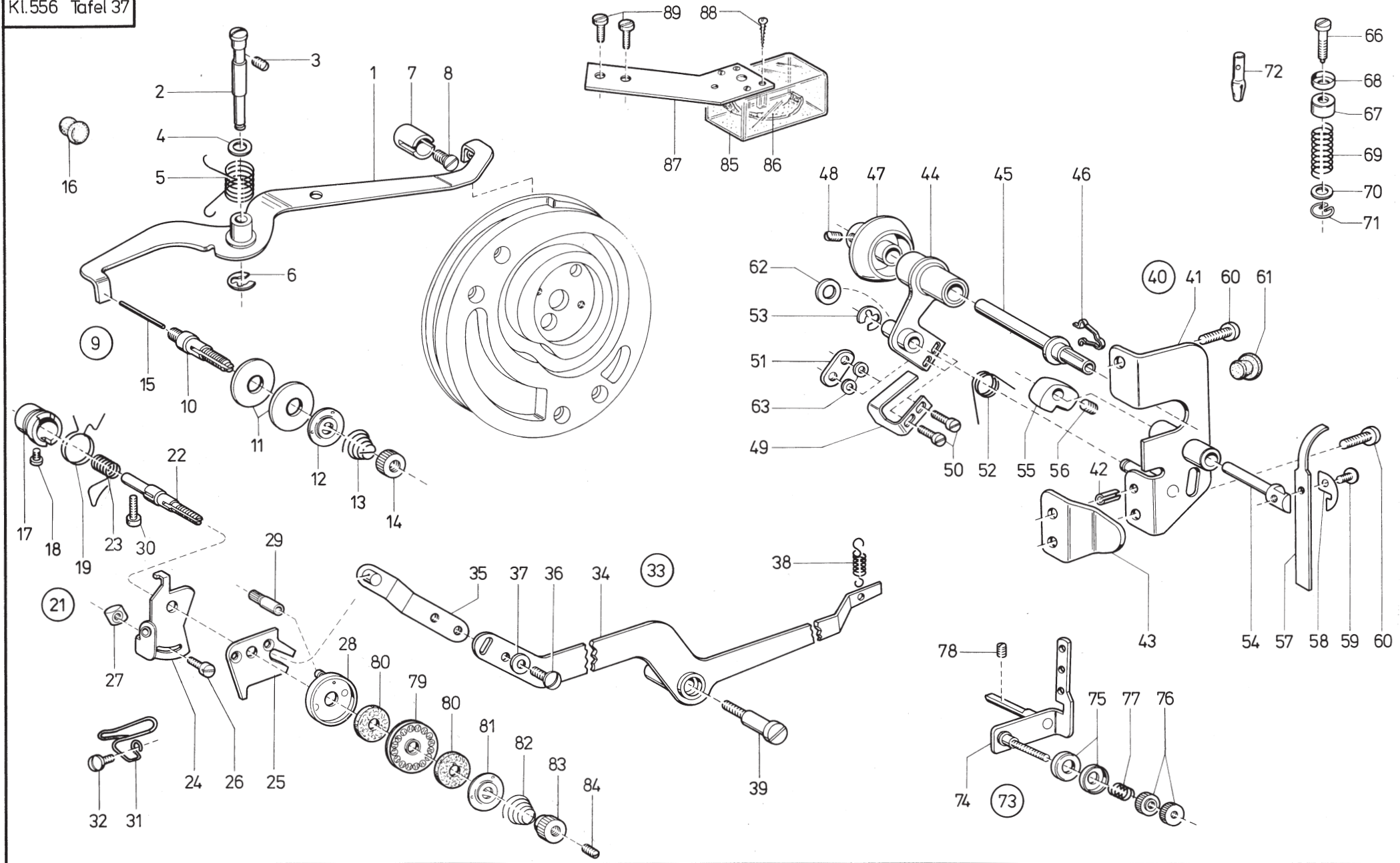




| Pos. Det. | Teile Nr. Part No. | Benennung | Denomination | Pos. Det. | Teile Nr. Part No. | Benennung | Denomination | Pos. Det. | Teile Nr. Part No. | Benennung | Denomination |
|-----------|--------------------|---|---|-----------|--------------------|-------------------------------------|--|-----------|--------------------|---|--|
| | | Kl. 556- -5101, -5121, -202101, -205101 | Cl. 556- -5101, -5121, -202101, -205101 | 32 | 211296 | Zyl.-Schraube | Cyl. head screw | 76 | 556885k | Anschlg. Schraube (mit Pos. 77) | Stop screw (with pos. 77) |
| 1 | 556698 | Zahnrad kpl. (mit Pos. 2) | Gear wheel cpl. (with pos. 2) | 33 | 5561789 | Zyl.-Schraube | Cyl. head screw | 77 | 556885a | Puffer | Buffer |
| 2 | 21652 | Gewindestift | Threaded stud | 34 | 74420566 | Scheibe | Washer | 78 | 2522389 | 6kt.-Mutter | Hexagonal nut |
| 3 | 556701 | Buchse | Bush | 39 | 556822 | Deckblech | Cover plate | 79 | 556878 | Führung | Guidance |
| 4 | 556702 | Buchse | Bush | 40 | 556824 | Distanzhülse | Distance sleeve | 80 | 216123 | Zyl.-Schraube | Cyl. head screw |
| 5 | 556703 | Buchse | Bush | 41 | 211373 | Zyl.-Schraube | Cyl. head screw | 81 | 7442380 | Zahnscheibe | Tooth lock washer |
| 6 | 556706 | Welle | Shaft | 42 | 556827 | Druckfeder | Pressure spring | 82 | 556880 | Gewindestift | Threaded stud |
| 7 | 556707 | Sperrgetriebe kpl. (best. aus Pos. 8, 9, 10, 11, 12, 13) | Ratchet locking me- chanism cpl. (cons. of pos. 8, 9, 10, 11, 12, 13) | 43 | 556831 | Hebel | Lever | 83 | MG8/7d | 6kt.-Mutter | Hexagonal nut |
| 8 | 556708 | Sperrrad | Ratchet wheel | 44 | 556828 | Buchse | Bush | 84 | 556887 | Schere kpl. (best. aus Pos. 85, 86, 87, 88, 89, 90) | Scissors cpl. (cons. of pos. 85, 86, 87, 88, 89, 90) |
| 9 | 556709 | Gehäuse | Housing | 45 | 223245 | Gewindestift | Threaded stud | 85 | 556888 | Untermesser | Lower knife |
| 10 | 556710 | Sperre | Stop work | 46 | 556840 | Drehfeder | Torsion spring | 86 | 556891 | Obermesser (mit Pos. 87, 88) | Upper knife (with pos. 87, 88) |
| 11 | 38095 | Feder | Spring | 47 | 556835 | Sperrhebel (mit Pos. 48) | Catch lever (with pos. 48) | 87 | 556893 | Kugelbolzen | Ball pin |
| 12 | 556712 | Abdeckring | Cover ring | 48 | 421222 | Gewindestift | Threaded stud | 88 | 556898 | 6kt.-Mutter | Hexagonal nut |
| 13 | 90297 | Senkschraube | Countersunk screw | 49 | 556841 | Kloben | Block | 89 | 556894 | Fadenklemmblech | Thread clamping plate |
| 14 | 902322 | Scheibenfeder | Disk spring | 50 | 21698 | Zyl.-Schraube | Cyl. head screw | 90 | 556895 | Ansatzschraube | Shoulder screw |
| 15 | 211109 | Sicher.-Scheibe | Lock washer | 51 | 5691895 | Scheibe | Washer | 91 | 556897 | Zyl.-Schraube | Cyl. head screw |
| 16 | 556723 | Handkurbel kpl. (mit Pos. 17, 18, 19, 20, 21) | Crank handle cpl. (with pos. 17, 18, 19, 20, 21) | 52 | 556846 | Klinke (mit Pos. 53, 54, 55) | Pawl (with pos. 53, 54, 55) | 92 | 024275 | Scheibe | Washer |
| 17 | 556729 | Kurbelarm | Crank arm | 53 | 556851k | Federbolzen | Spring bolt | | | | |
| 18 | 10019108 | Ansatzschraube | Shoulder screw | 54 | 211519 | Kerbstift | Grooved pin | | | | |
| 19 | 556736 | Sperrstück | Blocking piece | 55 | 556852 | Druckfeder | Pressure spring | | | | |
| 20 | 556737 | Drehfeder | Torsion spring | 56 | 202704 | 6kt.-Mutter | Hexagonal nut | | | | |
| 21 | 556738 | Ansatzschraube | Shoulder screw | 57 | 556854 | 6kt.-Mutter | Hexagonal nut | | | | |
| 22 | 556744 | Welle | Shaft | 58 | 556855 | Scheibe | Washer | | | | |
| 23 | 556746 | Schneckentrieb kpl. (mit Pos. 24 und auf Tafel 1 Pos. 17, 18) | Worm gearing cpl. (with pos. 24 and on table 1 pos. 17, 18) | 59 | 556856 | Schaltnocken | Trip cam | | | | |
| 24 | 556584 | Zyl.-Schraube | Cyl. head screw | 60 | 21646 | Zyl.-Schraube | Cyl. head screw | | | | |
| 25 | 556741 | Lagerbuchse | Bearing bush | 61 | 5691895 | Scheibe | Washer | | | | |
| 26 | 556702 | Lagerbuchse | Bearing bush | 62 | 556861 | Klemmstück (mit Pos. 63, 64, 65) | Clamping piece (with pos. 63, 64, 65) | | | | |
| 27 | 558156k | Stelling (mit Pos. 28) | Set collar (with pos. 28) | 63 | 216658 | Zyl.-Schraube | Cyl. head screw | | | | |
| 28 | 147203 | Gewindestift | Threaded stud | 64 | 93019210 | Spannhülse | Clamping sleeve | | | | |
| 29 | 556759 | Stelling (mit Pos. 30) | Set collar (with pos. 30) | 65 | 556865 | Achse | Axle | | | | |
| 30 | 5411395 | Gewindestift | Threaded stud | 66 | 556867 | Führungsstück (mit Pos. 67) | Guidance (with pos. 67) | | | | |
| 31 | 55614969 | Stütze | Stay | 67 | 211511 | Kerbstift | Grooved pin | | | | |
| | | | | 68 | 556870 | Gewindestift | Threaded stud | | | | |
| | | | | 69 | 556871 | Zugfeder | Draw spring | | | | |
| | | | | 70 | 5695079 | Kerbstift | Grooved pin | | | | |
| | | | | 71 | 556873a | Mutter | Nut | | | | |
| | | | | 72 | 556874 | Druckfeder | Pressure spring | | | | |
| | | | | 73 | 556875 | Zapfenschraube | Pilot screw | | | | |
| | | | | 74 | 55615000 | Führungsleiste | Guide reglet | | | | |
| | | | | 75 | 556877 | Zapfenschraube | Pilot screw | | | | |



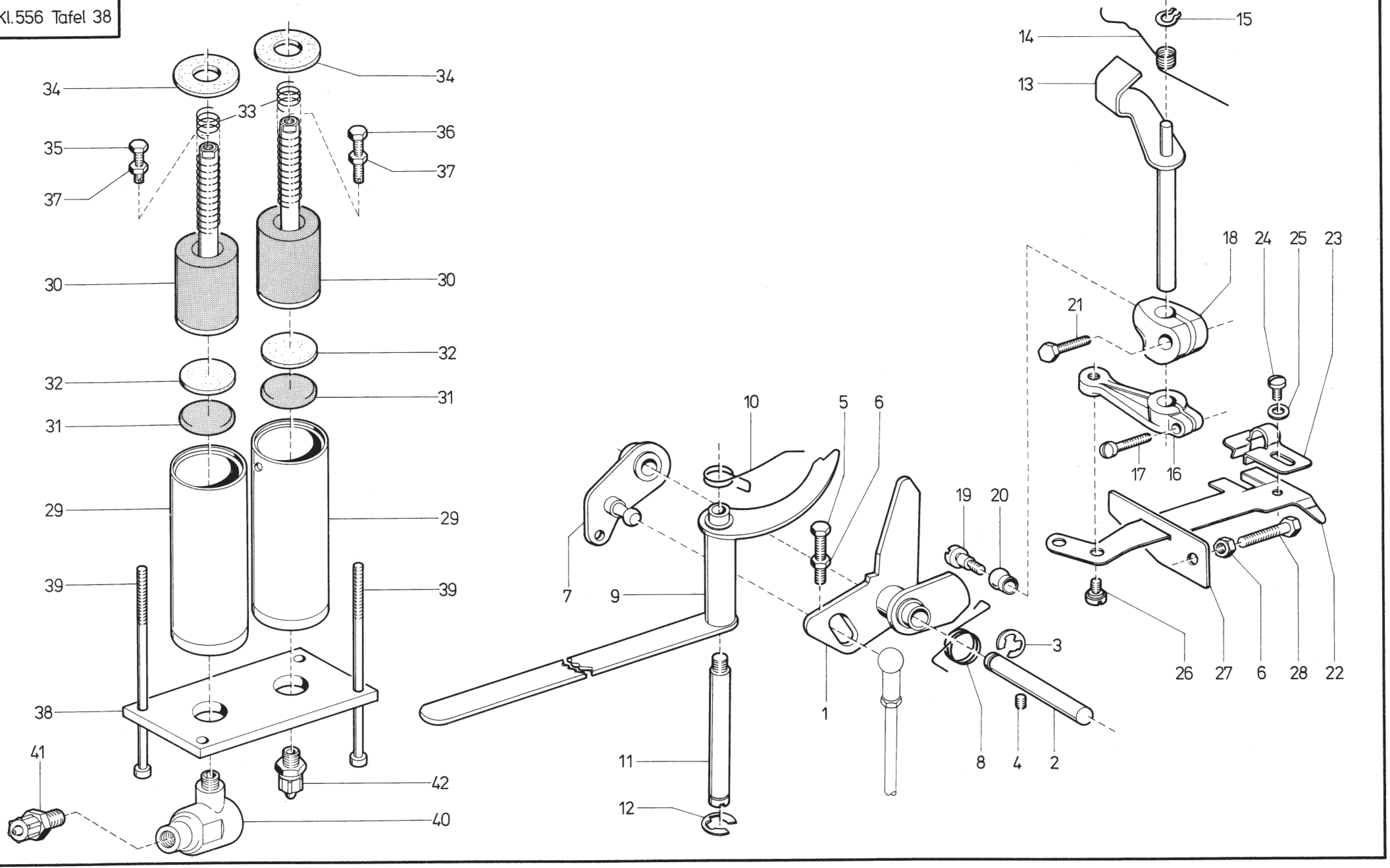


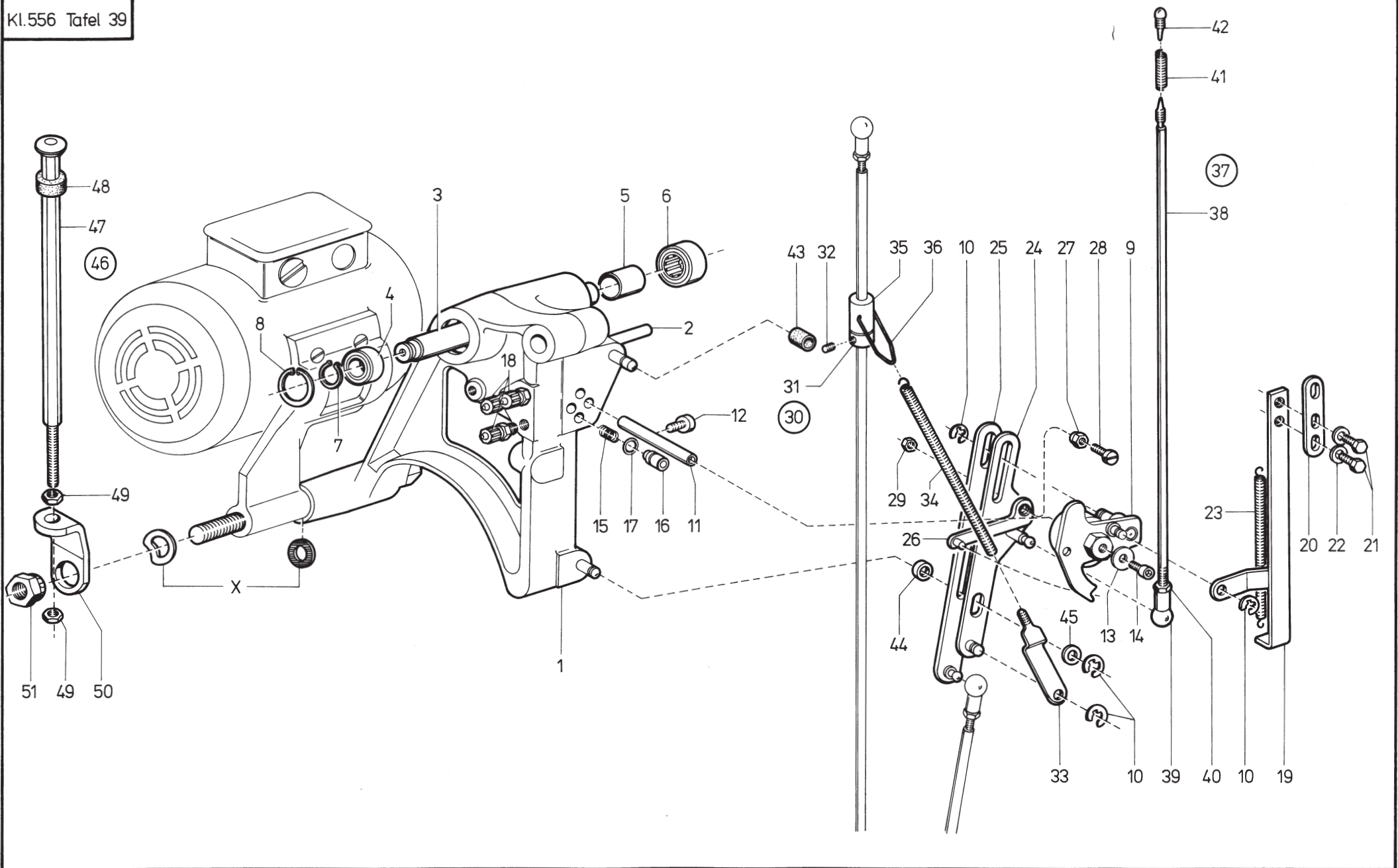


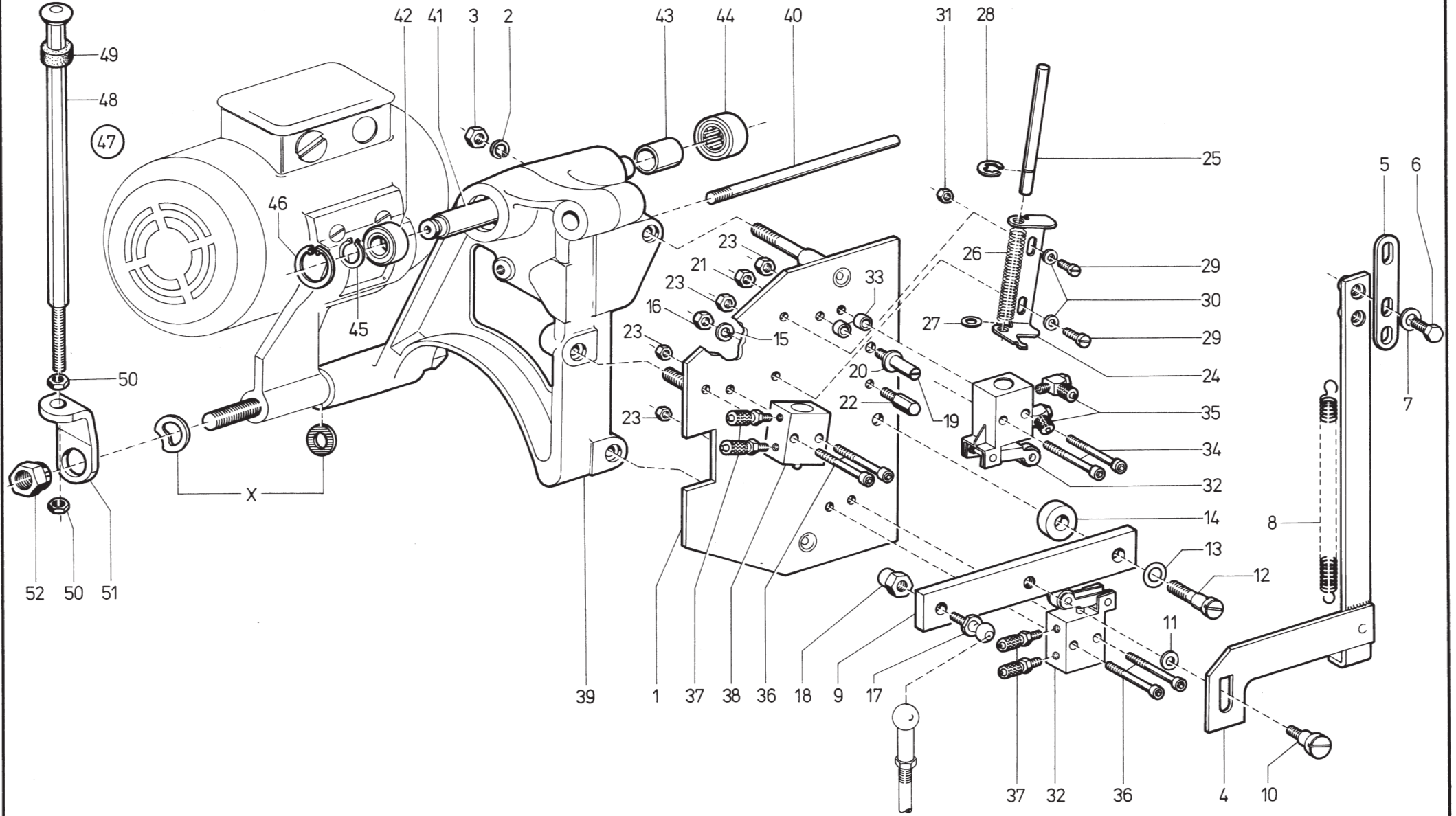
| Pos. Det. | Teile Nr. Part No. | Benennung | Denomination |
|-----------|--------------------|---|---|
| | | 556-5101, -5121, -205101 | 556-5101, -5121, -205101 |
| 1 | 556905 | Auslösehebel | Release lever |
| 2 | 556910 | Lagerbolzen | Bearing bolt |
| 3 | 21652 | Gewindestift | Threaded stud |
| 4 | 021154 | Scheibe | Washer |
| 5 | 556913 | Drehfeder | Torsion spring |
| 6 | 570138 | Sicher.-Scheibe | Lock washer |
| 7 | 556915 | Führungsbuchse | Guide bush |
| 8 | 5513188 | Senkschraube | Countersunk screw |
| 9 | 55615008 | Spannung kpl. (best. aus Pos. 10 bis 15) | Tension cpl. (cons. of pos. 10 up to 15) |
| 10 | 55615010 | Spannungsbolzen | Tension bolt |
| 11 | 556919 | Spannung.-Scheibe | Tension washer |
| 12 | 055399 | Span.-Stegscheibe | Tension web plate |
| 13 | 055400 | Spannungsfeder | Tension spring |
| 14 | 556923 | Mutter | Nut |
| 15 | 55615009 | Auslösestift | Releasing pin |
| 16 | 2117 | Stopfen | Plug |
| 17 | 556933 | Anschlaghülse | Stop sleeve |
| 18 | 223700 | Zyl.-Schraube | Cyl. head screw |
| 19 | 556935 | Drehfeder | Torsion spring |
| 21 | 55614985 | Radspannung kpl. (best. aus Pos. 22, 24 bis 28, 31, 32, 79 bis 84) | Thread tension unit cpl. (consist. of pos. 22, 24 up to 28, 31, 32, 79 up to 84) |
| 22 | 55614986a | Spannungsbolzen | Tension bolt |
| 23 | 55614987 | Fad.-Anzugsfeder | Thread pulling spring |
| 24 | 55614988 | Fadenblech | Thread plate |
| 25 | 55614990 | Spannungsblech | Tension plate |
| 26 | 556947 | Zyl.-Schraube | Cyl. head screw |
| 27 | 556946 | Mutter | Nut |
| 28 | 55614991 | Scheibe | Washer |
| 29 | 55615007 | Stift | Pin |
| 30 | 21688 | Zyl.-Schraube | Cyl. head screw |
| 31 | 556959 | Fadenöse | Thread eye |
| 32 | 216573 | Linsenschraube | Fillister head screw |
| 33 | 556971a | Hebel kpl. (best. aus Pos. 34, 35, 36, 37) | Lever cpl. (cons. of pos. 34, 35, 36, 37) |
| 34 | 556972a | Hebel | Lever |
| 35 | 556976a | Hebel | Lever |

| Pos. Det. | Teile Nr. Part No. | Benennung | Denomination |
|-----------|--------------------|---|---|
| 36 | 10019130 | Linsenschraube | Fillister head screw |
| 37 | 5691895 | Scheibe | Washer |
| 38 | 217775 | Zugfeder | Draw spring |
| 39 | 556983 | Ansatzschraube | Shoulder screw |
| 40 | 556986 | Spuler kpl. (best. aus Pos. 41 bis 59) | Bobbin winder cpl. (cons. of pos. 51 up to 59) |
| 41 | 556988 | Grundplatte | Base plate |
| 42 | 570698 | Spannhülse | Clamping sleeve |
| 43 | 556994 | Anschlagplatte | Stop plate |
| 44 | 556997 | Schwenkhebel | Swivelling lever |
| 45 | 5561005 | Spulerspindel (mit Pos. 46) | Bobbin winder spindle (with pos. 46) |
| 46 | 5561009 | Feder | Spring |
| 47 | 5561011 | Antriebsrad (mit Pos. 48) | Driving wheel (with pos. 48) |
| 48 | 70220 | Gewindestift | Threaded stud |
| 49 | 570238 | Blattfeder | Leaf spring |
| 50 | 237624 | Zyl.-Schraube | Cyl. head screw |
| 51 | 227596 | Gewindeplatte | Threaded plate |
| 52 | 570243 | Drehfeder | Torsion spring |
| 53 | 570138 | Sicher.-Scheibe | Lock washer |
| 54 | 5561023 | Achse | Axle |
| 55 | 216603k | Schalchkloben (mit Pos. 56) | Operating block (with pos. 56) |
| 56 | 223648 | Gewindestift | Threaded stud |
| 57 | 5561028a | Spulerklappe | Bobbin winder flap |
| 58 | 570252 | Abreißblech | Pull-off-plate |
| 59 | 10019130 | Linsenschraube | Fillister head screw |
| 60 | 650292 | Zyl.-Schraube | Cyl. head screw |
| 61 | 21611 | Gummistopfen | Rubber plug |
| 62 | 9336274 | Scheibe | Washer |
| 63 | 10019247 | Scheibe | Washer |
| 66 | 244416 | Zyl.-Schraube | Cyl. head screw |
| 67 | 244414 | Spannungshülse | Clamping sleeve |
| 68 | 244415 | Spannungshülse | Clamping sleeve |
| 69 | 244413 | Druckfeder | Pressure spring |
| 70 | 55729a | Scheibe | Washer |
| 71 | 244411 | Feder | Spring |
| 72 | 556927 | Fadenleitstift | Thread guide pin |
| 73 | 5561051 | Fadenspannung kpl. (best. aus pos. 74, 75, 76, 77) | Thread tension cpl. (cons. of pos. 74, 75, 76, 77) |
| 74 | 5561052 | Winkel | Angle |

| Pos. Det. | Teile Nr. Part No. | Benennung | Denomination |
|-----------|--------------------|--|---|
| 75 | 244415 | Spannung.-Scheibe | Tension disk |
| 76 | 74640139 | Rändelmutter | Knurled nut |
| 77 | 055408 | Druckfeder | Pressure spring |
| 78 | 2235047 | Gewindestift | Threaded stud |
| 79 | 55614997 | Spannungsrad | Tension regulator |
| 80 | 2113295 | Filzscheibe | Felt washer |
| 81 | 2113299 | Stegscheibe | Flange disk |
| 82 | 55615002 | Spannungsfeder | Tension spring |
| 83 | 55615012 | Mutter | Nut |
| 84 | 216589 | Gewindestift | Threaded stud |
| 85 | 55615683 | Ölbehälter kpl. (mit Pos. 86) | Oil cont. cpl. (with pos. 86) |
| 86 | 55615685 | Filz | Felt |
| 87 | 55615687 | Lasche | Shackle |
| 88 | 246848 | Blechschrabe | Tin plate screw |
| 89 | 21698 | Zyl.-Schraube | Cyl. head screw |
| 90 | 93311520 | Kanne Öl (Shellsol T/29) (ohne Abb.) | Can filled with oil (Shellsol T/2) (without illustration) |



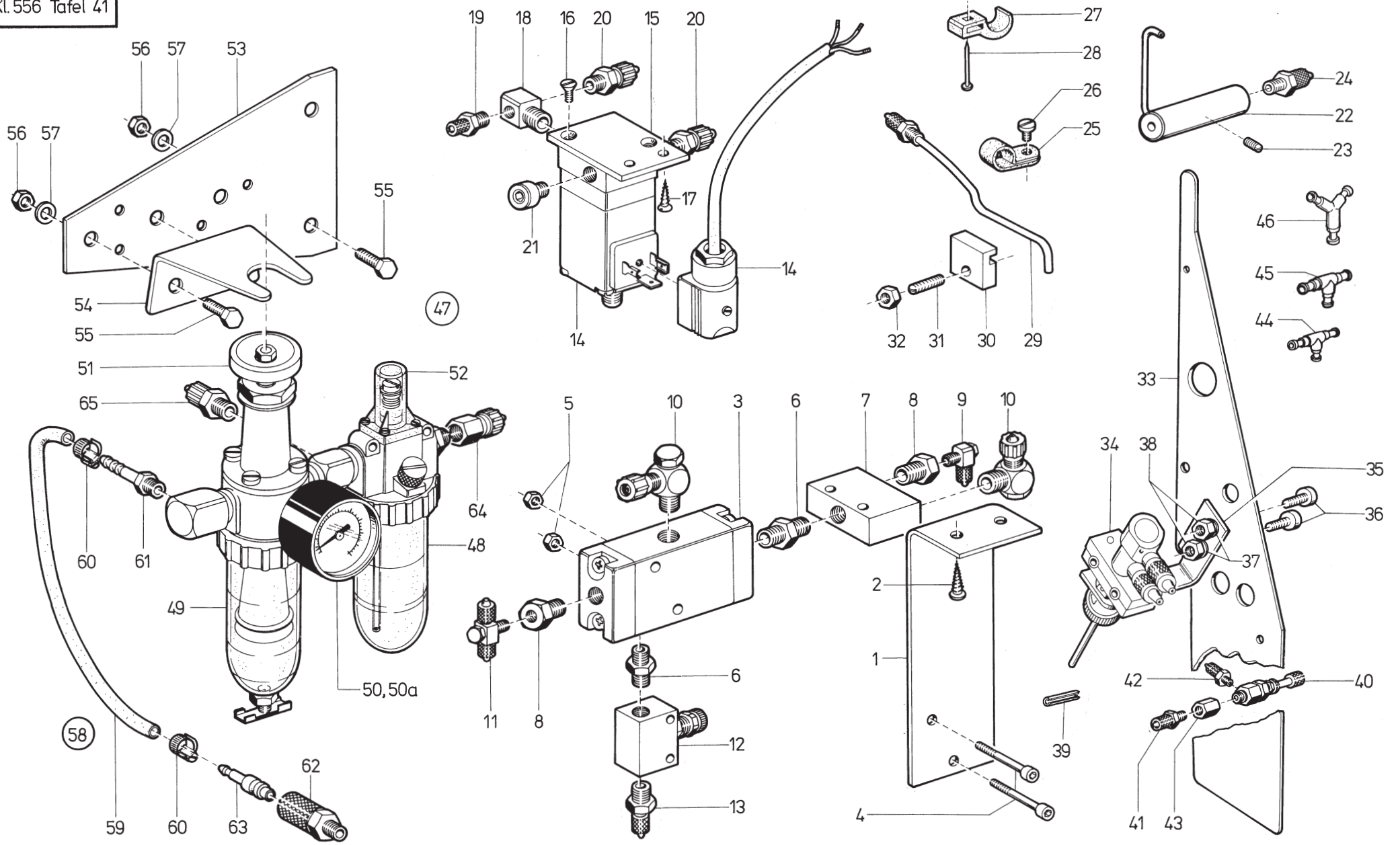




| Pos. Det. | Teile Nr. Part No. | Benennung | Denomination |
|--------------|-----------------------|------------------------|--------------------------|
| | | 556-5101, -5121 | 556-5101, -5121 |
| 1 | 55616504 | Platte | Plate |
| 2 | 7441017 | Federring | Spring ring |
| 3 | 72042a | 6kt.-Mutter | Hexagonal nut |
| 4 | 55616511 | Zuglasche | Pulling shackle |
| 5 | 5562025 | Lasche | Shackle |
| 6 | P121110 | 6kt.-Schraube | Hexagonal screw |
| 7 | 557263 | Scheibe | Washer |
| 8 | 746893a | Zugfeder | Draw spring |
| 9 | 55616517 | Lasche | Shackle |
| 10 | 741893 | Ansatzschraube | Shoulder screw |
| 11 | 557263 | Scheibe | Washer |
| 12 | 570877 | Ansatzschraube | Shoulder screw |
| 13 | 10011153 | Scheibe | Washer |
| 14 | 55616520 | Abstandsring | Distance ring |
| 15 | 5692773 | Federring | Spring ring |
| 16 | MG43/408 | 6kt.-Mutter | Hexagonal nut |
| 17 | 5701220 | Kugelzapfen | Ball pivot |
| 18 | 55616528 | Mutter | Nut |
| 19 | 74421922 | Ansatzbolzen | Stud |
| 20 | 558693 | Scheibe | Washer |
| 21 | MG 8/7d | 6kt.-Mutter | Hexagonal nut |
| 22 | 55616535 | Ansatzbolzen | Stud |
| 23 | 202704 | 6kt.-Mutter | Hexagonal nut |
| 24 | 21150301 | Führungswinkel | Guide angle |
| 25 | 21150302 | Bolzen | Bolt |
| 26 | 249116 | Druckfeder | Pressure spring |
| 27 | 5511246 | Scheibe | Washer |
| 28 | 211100a | Sicher.-Ring | Retaining ring |
| 29 | 798796 | Zyl.-Schraube | Cyl. head screw |
| 30 | 5691895 | Scheibe | Washer |
| 31 | 202704 | 6kt.-Mutter | Hexagonal nut |
| 32 | Z112611 | Rollenventil | Roll-valve |
| 33 | 94210114 | Distanzhülse | Distance sleeve |
| 34 | 93311399 | Zyl.-Schraube | Cyl. head screw |
| 35 | 746768 | L-Verschraubung | L-coupling screw |
| 36 | Z111162 | Zyl.-Schraube | Cyl. head screw |
| 37 | 7422244 | Schl.-Verschr. | Hose coupling screw |
| 38 | 7221138 | Stößelventil | Tappet |
| 39 | 55616483 | Lagerbock | Pillow block |
| 40 | 55615298 | Gewindestift | Threaded stud |
| 41 | 55615299 | Achse | Axle |
| 42 | 55615301 | Rillenkugellager | Deep groove ball bearing |

| Pos. Det. | Teile Nr. Part No. | Benennung | Denomination |
|--------------|-----------------------|---|--|
| 43 | 55615303 | Innenring | Inside ring |
| 44 | 55615304 | Nadelhülse | Needle sleeve |
| 45 | 2658716a | Sicher.-Ring | Retaining ring |
| 46 | 74420610 | Sicher.-Ring | Retaining ring |
| 47 | 5561907 | Gestänge kpl. (best. aus Pos. 48 bis 52) | Rods cpl. (cons. of pos. 48 up to 52) |
| 48 | 5561908 | Stange | Rod |
| 49 | 5561911 | Gummipuffer | Rubber buffer |
| 50 | 72042a | 6kt.-Mutter | Hexagonal nut |
| 51 | 5561916 | Winkel | Angle |
| 52 | 5561917 | Kronenmutter | Castel nut |
| X | | ohne Teilenummer, wird mit Motor mit- geliefert | without part-number, will be delivered to- gether with motor |

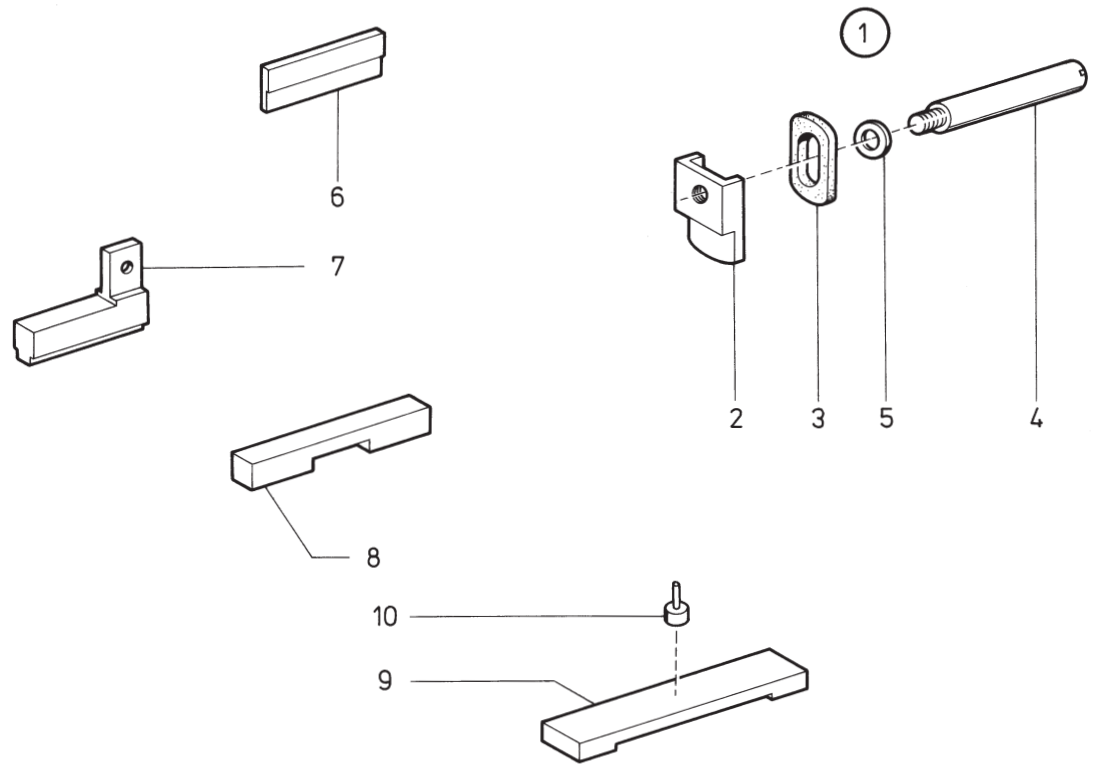
| Pos. Det. | Teile Nr. Part No. | Benennung | Denomination |
|--------------|-----------------------|-----------|--------------|
|--------------|-----------------------|-----------|--------------|

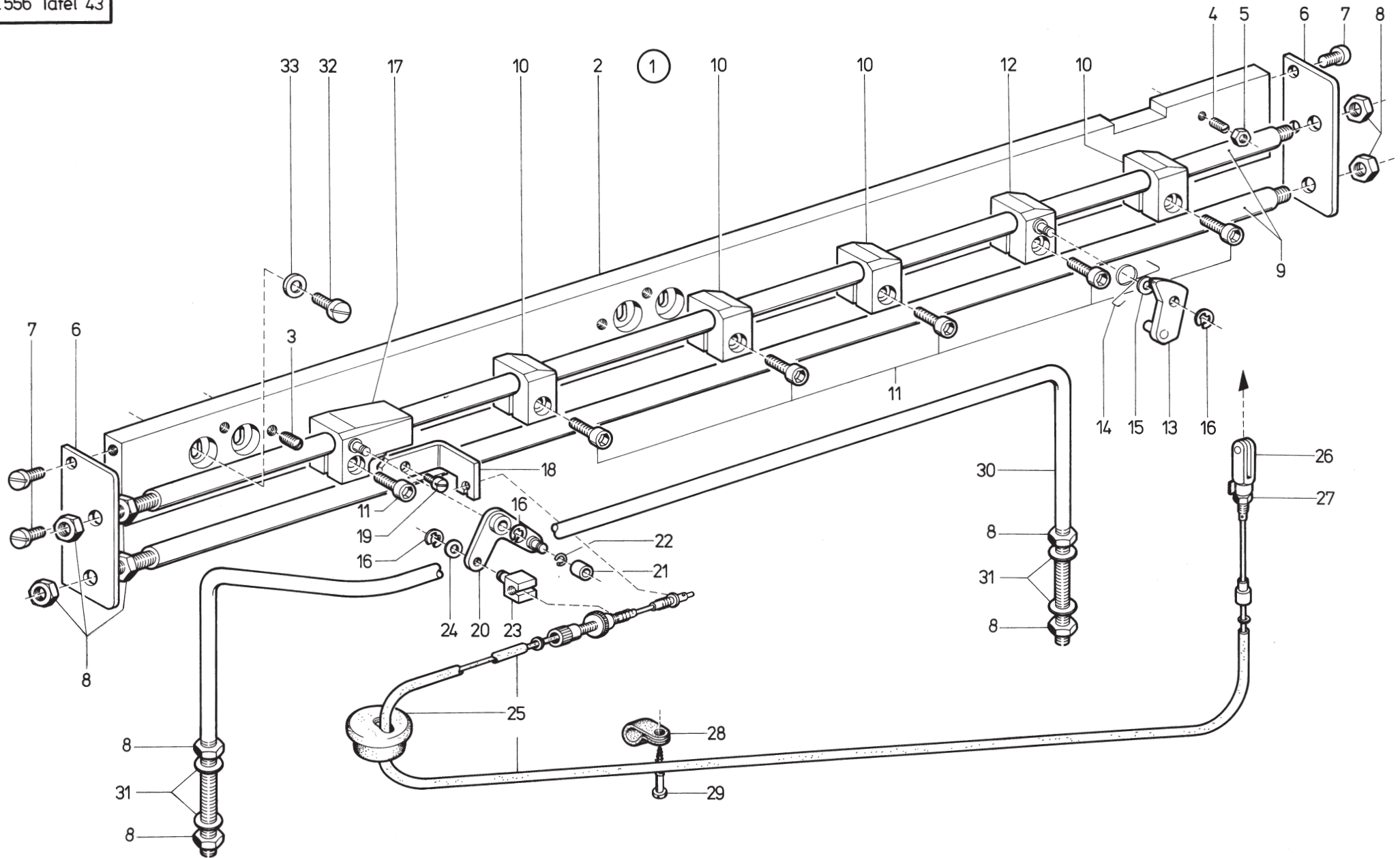


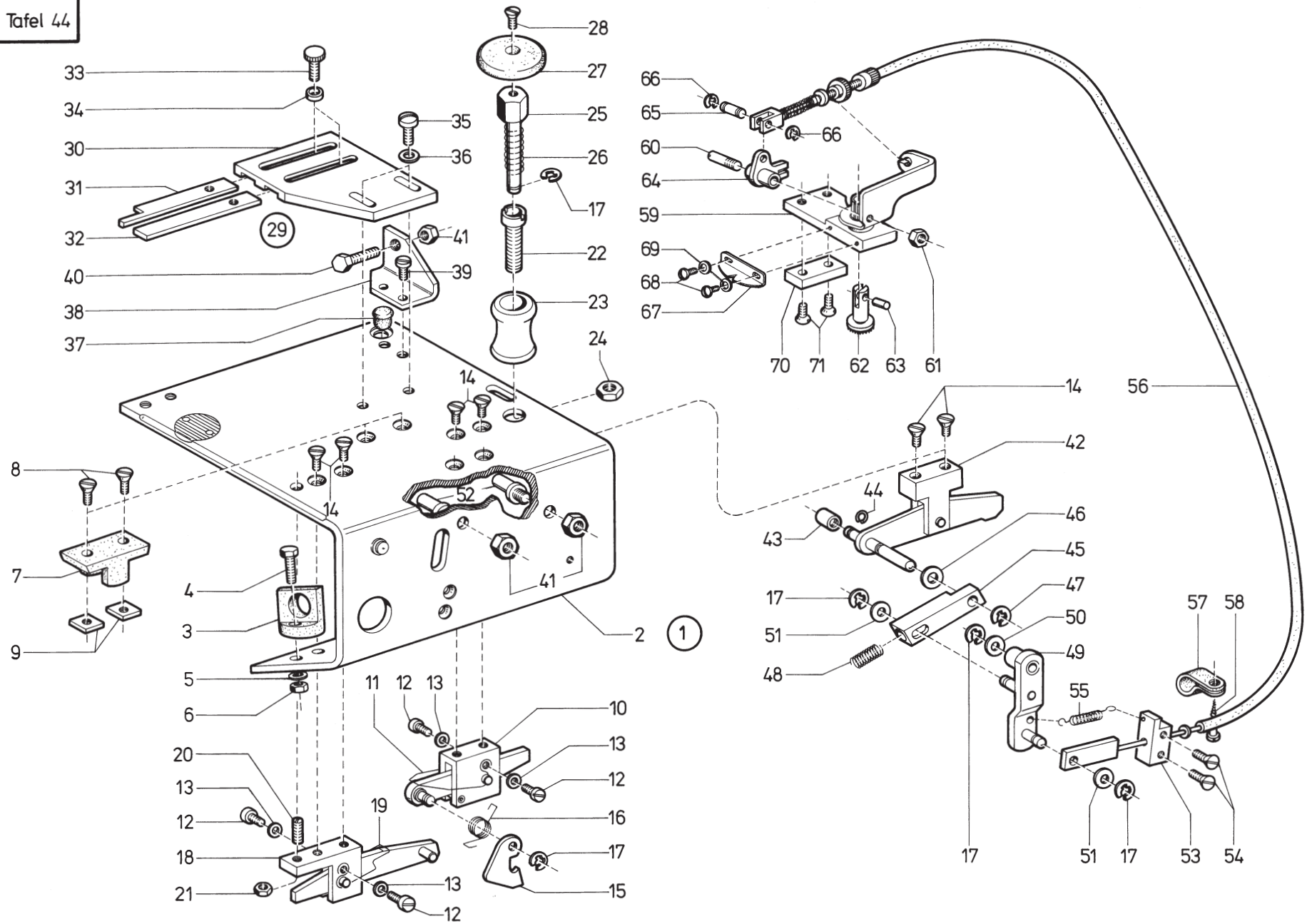
| Pos. Det. | Teile Nr. Part No. | Benennung | Denomination | Pos. Det. | Teile Nr. Part No. | Benennung | Denomination | Pos. Det. | Teile Nr. Part No. | Benennung | Denomination |
|--------------|-----------------------|------------------------|------------------------|--------------|-----------------------|--|---|--------------|-----------------------|-----------|--------------|
| | | 556-5101, -5121 | 556-5101, -5121 | | | | | | | | |
| 1 | 55616581 | Winkel | Angle | 43 | 93374261 | Muffer | Bushing | | | | |
| 2 | MG41/4073 | Holzschraube | Wood screw | 44 | 7972627 | Verbind.-Stück | Connecting piece | | | | |
| 3 | 797209 | 3/2 Wege-Ventil | 3/2 Distributor valve | 45 | 7972214 | Verbind.-Stück | Connecting piece | | | | |
| 4 | 902380 | Zyl.-Schraube | Cyl. head screw | 46 | 7972201 | Verbind.-Stück | Connecting piece | | | | |
| 5 | MG8/7d | 6kt.-Mutter | Hexagonal nut | 47 | Z1121861 | Wart.-Einheit kpl. (best. aus Pos. 48 bis 57) | Conditioning unit cpl. (consist. of pos. 48 up to 57) | | | | |
| 6 | 7441819 | Doppelnippel | Double nipple | 48 | 7441804 | Glocke * | Shell * | | | | |
| 7 | 74427578 | Rückschl.-Vent. | Reflux valve | 49 | 7441804a | Glocke * | Shell * | | | | |
| 8 | Z120362 | Reduzierstück | Reducing piece | 50 | 7441802 | Manometer * | Manometer * | | | | |
| 9 | 746768 | L-Verschr. | L-Coupling screw | 50a | 7441802a | Manometerglas * | Manometer glass * | | | | |
| 10 | 7422273 | L-Verschr. | L-Coupling screw | 51 | 7441802b | Handrad * | Hand wheel * | | | | |
| 11 | 7972626 | T-Verschr. | T-Coupling screw | 52 | 7441804b | Schauglas * | Sight glass * | | | | |
| 12 | 7441820 | Drosselventil | Throttle valve | 53 | 5701836 | Platte | Plate | | | | |
| 13 | 7422238 | Schl.-Verschr. | Hose coupling screw | 54 | 72153 | Winkel | Angle | | | | |
| 14 | 7443570 | Magnetventil | Solenoid valve | 55 | MG43/36 | 6kt.-Schraube | Hexagonal screw | | | | |
| 15 | 55615343 | Platte | Plate | 56 | 72042a | 6kt.-Mutter | Hexagonal nut | | | | |
| 16 | 55613020 | Senkschraube | Countersunk screw | 57 | 72043 | Scheibe | Washer | | | | |
| 17 | MG41/1364 | Holzschraube | Wood screw | 58 | 72171 | Anschl.-Schlauch kpl. (best. aus Pos. 59 bis 63) | Joining hose cpl. (consist. of pos. 59 up to 63) | | | | |
| 18 | 7442526 | Verteilerstück | Distributor | 59 | Z11577 | Schlauch | Hose | | | | |
| 19 | 7422238 | Schl.-Verschr. | Hose coupling screw | 60 | 7422096 | Schlauchklemme | Hose clip | | | | |
| 20 | 74423566 | Schl.-Verschr. | Hose coupling screw | 61 | Z11538 | Schlauchtülle | Hose sleeve | | | | |
| 21 | P12159 | Blindstopfen | Blind plug | 62 | 7441793a | Kupplungsdose | Coupling socket | | | | |
| 22 | 55616272 | Blasrohr | Blowing tube | 63 | 7449513 | Kuppl.-Stecker | Coupler plug | | | | |
| 23 | 223245 | Gewindestift | Threaded stud | 64 | 7972015 | Schl.-Verschr. | Hose coupling screw | | | | |
| 24 | 7422244 | Schl.-Verschr. | Hose coupling screw | 65 | P12516 | Schl.-Verschr. | Hose coupling screw | | | | |
| 25 | 94210318 | Schelle | Clip | | | | | | | | |
| 26 | 2231296 | Zyl.-Schraube | Cyl. head screw | | | | | | | | |
| 27 | 7442168 | Nagelschelle | Nail clip | | | | | | | | |
| 28 | 7442094 | Stahlnadel | Steel needle | | | | | | | | |
| 29 | Z1321224 | Blasrohr | Blowpipe | | | | | | | | |
| 30 | Z132906 | Klemmstück | Clamping piece | | | | | | | | |
| 31 | 21668 | Gewindestift | Threaded stud | | | | | | | | |
| 32 | 216660 | 6kt.-Mutter | Hexagonal nut | | | | | | | | |
| 33 | Z1321203 | Deckblech | Cover plate | | | | | | | | |
| 34 | 797108 | Handhebelventil | Hand lever valve | | | | | | | | |
| 35 | Z1321205 | Winkel | Angle | | | | | | | | |
| 36 | 739255 | Zyl.-Schraube | Cyl. head screw | | | | | | | | |
| 37 | 5691895 | Scheibe | Washer | | | | | | | | |
| 38 | 202704 | 6kt.-Mutter | Hexagonal nut | | | | | | | | |
| 39 | Z1321209 | Spannhülse | Clamping sleeve | | | | | | | | |
| 40 | Z11647 | Druckregelventil | Pressure regulator | | | | | | | | |
| 41 | 7221139 | Schl.-Verschr. | Hose coupling screw | | | | | | | | |
| 42 | 7422244 | Schl.-Verschr. | Hose coupling screw | | | | | | | | |

* Bei Bestellung bitte
Hersteller angeben:
Fa. Knocks oder
Fa. Riegler

* When ordering please
state manufacturers:
Messrs. Knocks or
Messrs. Riegler



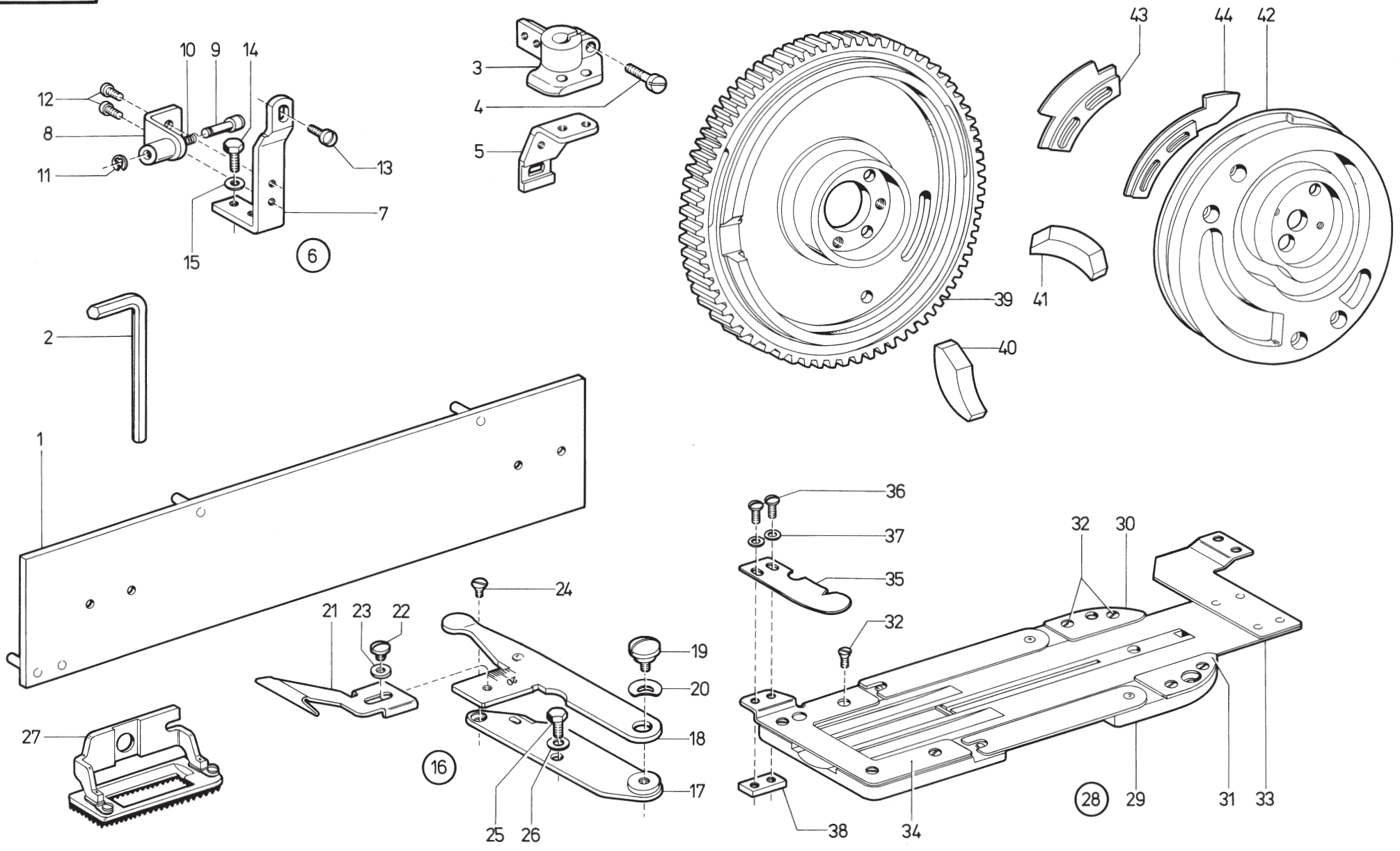




| Pos. Det. | Teile Nr. Part No. | Benennung | Denomination |
|--------------|-----------------------|------------------------------|-----------------------------|
| | | 556-11101 | 556-11101 |
| 1 | 55612883 | Sockel | Socle |
| 2 | 55612889 | Klappe (mit Pos. 3, 4, 5) | Flap (with pos. 3, 4, 5) |
| 3 | 5561800 | Haltefeder | Retaining spring |
| 4 | 10019130 | Linsenschraube | Fillister head screw |
| 5 | 202704 | 6kt.-Mutter | Hexagonal nut |
| 6 | 55612997 | Bügel | Bow |
| 7 | 27022 | Kugelöler | Ball oiler |

| Pos. Det. | Teile Nr. Part No. | Benennung | Denomination |
|--------------|-----------------------|-----------|--------------|
|--------------|-----------------------|-----------|--------------|

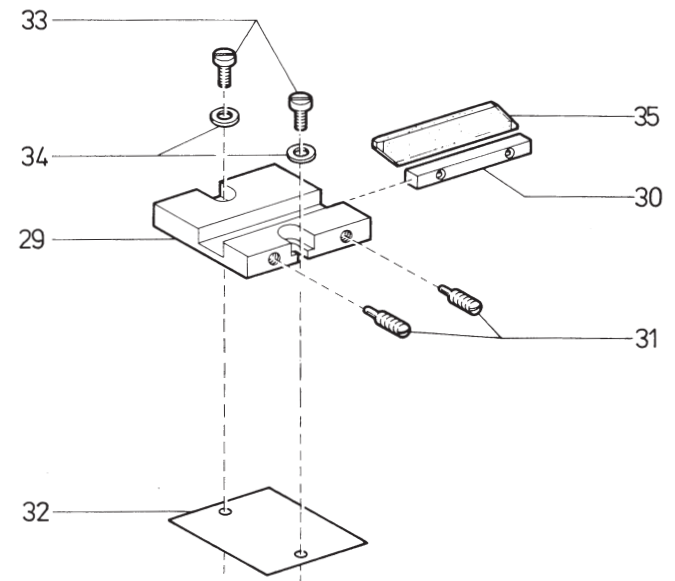
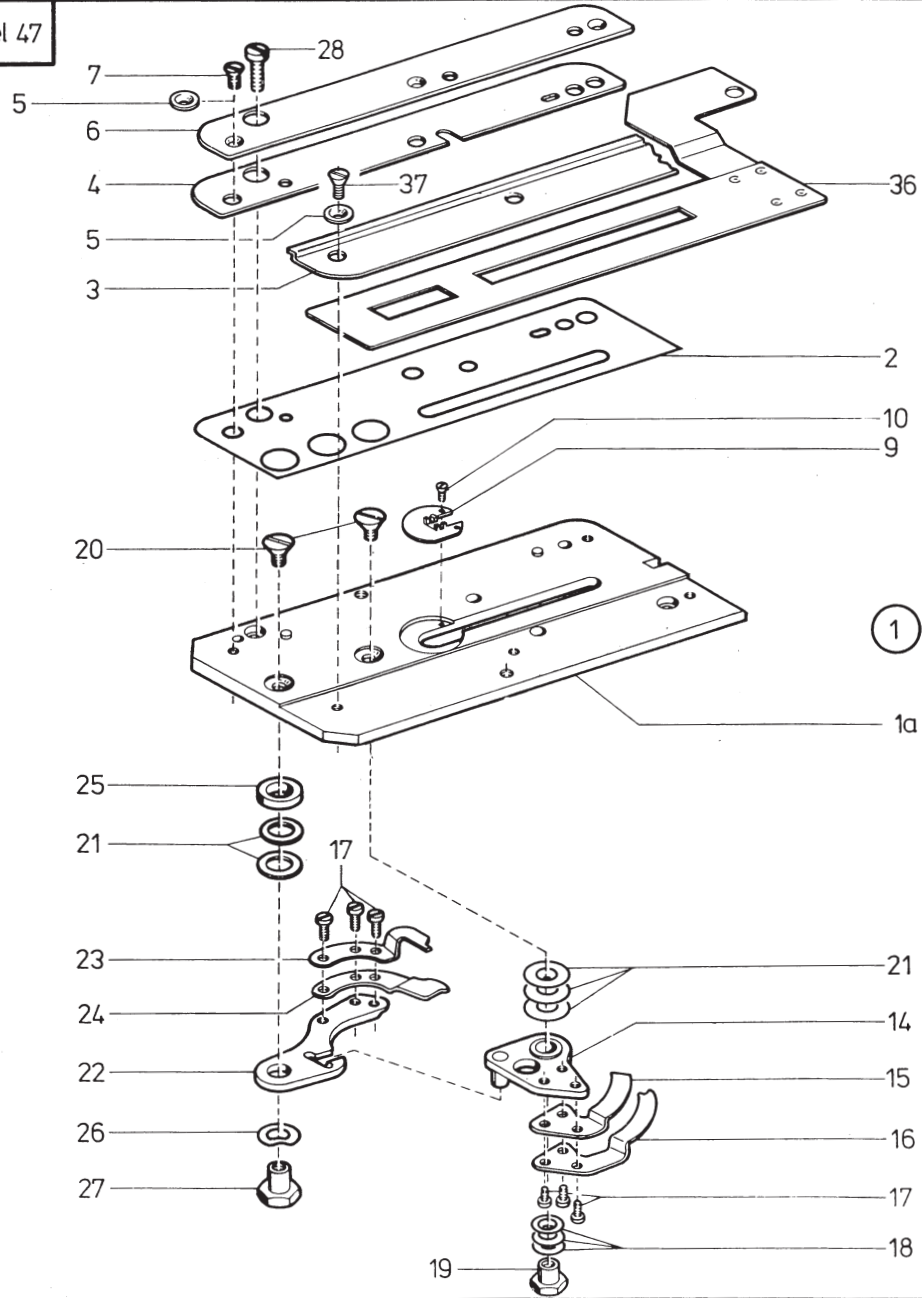
| Pos. Det. | Teile Nr. Part No. | Benennung | Denomination |
|--------------|-----------------------|-----------|--------------|
|--------------|-----------------------|-----------|--------------|



| Pos. Det. | Teile Nr. Part No. | Benennung | Denomination | Pos. Det. | Teile Nr. Part No. | Benennung | Denomination | Pos. Det. | Teile Nr. Part No. | Benennung | Denomination |
|--------------|-----------------------|---|--|--------------|-----------------------|---|---|--------------|-----------------------|-----------|--------------|
| | | 556-1101 * | 556-1101 * | | | | | | | | |
| | | 556-11101 | 556-11101 | | | | | | | | |
| 1 | 55612885 | Bohrschablone | Boring template | 35 | 55613256 | Markierungsblech | Marking plate | | | | |
| 2 | 5701702 | Steckschlüssel | Wrench | 36 | 10019130 | Linsenschraube | Fillister head screw | | | | |
| 3 | 55612893 | Messerst.-Kloben (mit Pos. 4) | Knife rod block (with pos. 4) | 37 | 531460 | Scheibe | Washer | | | | |
| 4 | 556357 | Zyl.-Schraube | Cyl. head screw | 38 | 55613257 | Platte | Plate | | | | |
| 5 | 55612896 | Messerträger | Knife carrier | 39 | 556658 | Steuerscheibe kpl. * (mit Pos. 40 und 41, und auf Tafel 6 Pos. 1 bis 13) | Plate cam cpl. * (with pos. 40 and 41, and on table 6 pos. 1 up to 13) | | | | |
| 6 | 55612902 | Anschlag kpl. (best. aus Pos. 7 bis 12) | Stop cpl. (consist. of pos. 7 up to 12) | 40 | 556661 | Riegelnocken | Locking bar cam | | | | |
| 7 | 55612898 | Winkel | Angle | 41 | 556662 | Riegelnocken | Locking bar cam | | | | |
| 8 | 55612903 | Hülse | Sleeve | 42 | 5565312 | Kurvenscheibe kpl. * (mit Pos. 43 und 44, und Auf Tafel 5 Pos. 40 bis 43, 62 bis 68 und 73 bis 75) | Cam cpl. * (with pos. 43 and 44, and on table 5 pos. 40 up to 43, 62 up to 68 and 73 up to 75) | | | | |
| 9 | 55612906 | Bolzen | Bolt | 43 | 5565305 | Span.-Auslöseblech | Tension releasing plate | | | | |
| 10 | 55612907 | Druckfeder | Pressure spring | 44 | 5565307 | Span.-Auslöseblech | Tension releasing plate | | | | |
| 11 | 10019228 | Sicher.-Scheibe | Lock washer | | | | | | | | |
| 12 | 223700 | Zyl.-Schraube | Cyl. head screw | | | | | | | | |
| 13 | 216123 | Linsenschraube | Fillister head screw | | | | | | | | |
| 14 | 55612900 | 6kt.-Schraube | Hexagonal screw | | | | | | | | |
| 15 | 043354 | Scheibe | Washer | | | | | | | | |
| 16 | 5562598 | Stoffanschlag kpl. (best. aus Pos. 17 bis 26) | Cloth stop cpl. (consist. of pos. 17 up to 26) | | | | | | | | |
| 17 | 5562582 | Grundplatte | Base plate | | | | | | | | |
| 18 | 5562585 | Schwenkhebel | Pivoted lever | | | | | | | | |
| 19 | 5562588 | Linsenschraube | Fillister head screw | | | | | | | | |
| 20 | 216425 | Federscheibe | Spring washer | | | | | | | | |
| 21 | 5562599 | Stoffanschlag | Cloth stop | | | | | | | | |
| 22 | 902423 | Linsenschraube | Fillister head screw | | | | | | | | |
| 23 | 024275 | Scheibe | Washer | | | | | | | | |
| 24 | 7395374 | Senkschraube | Countersunk screw | | | | | | | | |
| 25 | 556387 | 6kt.-Schraube | Hexagonal screw | | | | | | | | |
| 26 | 5691895 | Scheibe | Washer | | | | | | | | |
| 27 | 5566391 | Stoffdrückerkorb | Cloth presser cage | | | | | | | | |
| 28 | 55613251 | Stichplatte kpl. (best. aus Pos. 29 bis 38) | Throat plate cpl. (consist. of pos. 29 up to 38) | | | | | | | | |
| 29 | 5566941a | Stichplatte | Throat plate | | | | | | | | |
| 30 | 5566926 | Deckblech | Cover plate | | | | | | | | |
| 31 | 5566927 | Deckblech | Cover plate | | | | | | | | |
| 32 | 380122 | Senkschraube | Countersunk screw | | | | | | | | |
| 33 | 55613252 | Länenscheiber | Longitudinal slide | | | | | | | | |
| 34 | 55613255 | Deckblech | Cover plate | | | | | | | | |

* Pos. 39 und 42 sind
auch für Kl. 556-1101

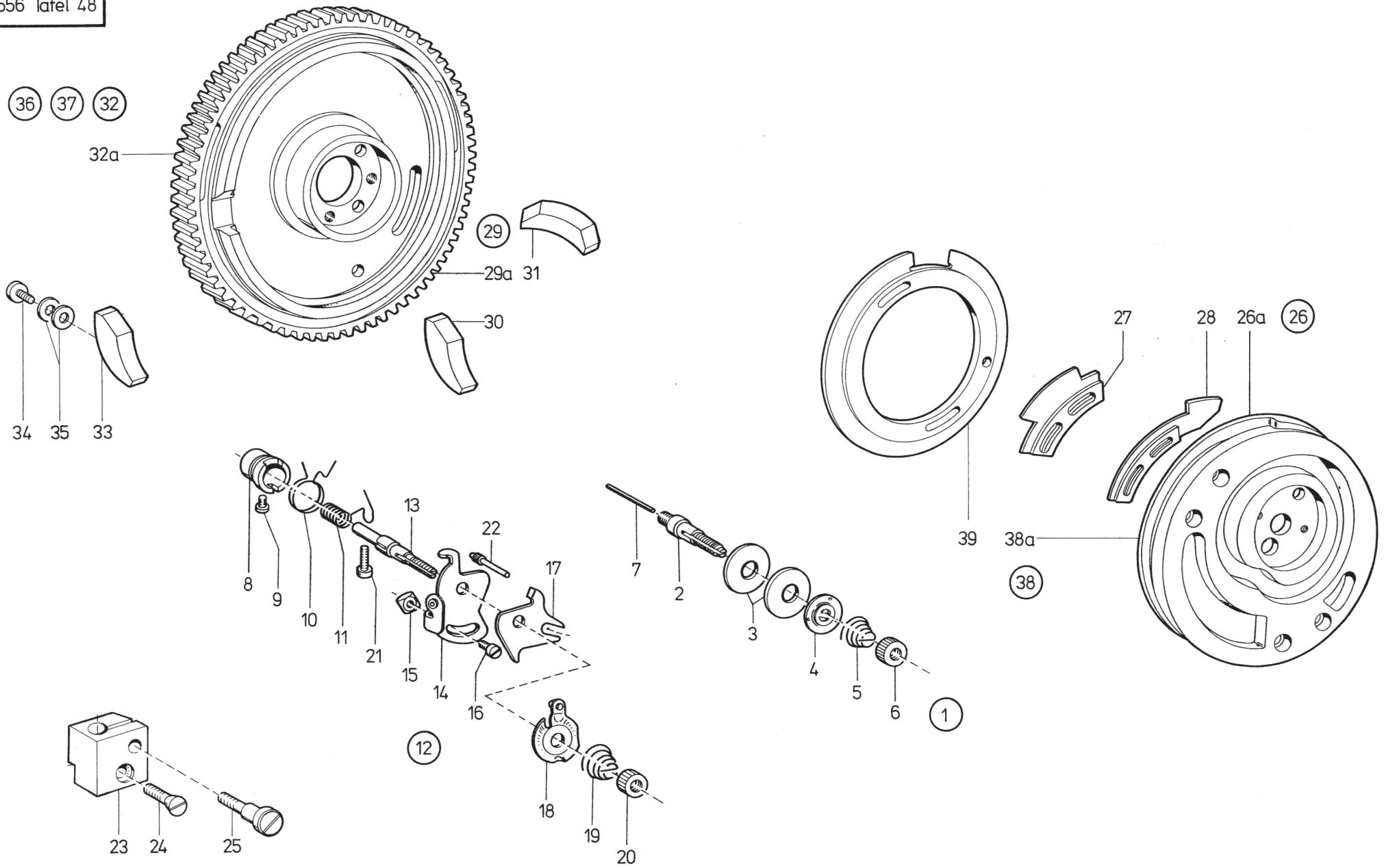
* pos. 39 and 42 are for
Cl. 556-1101 also

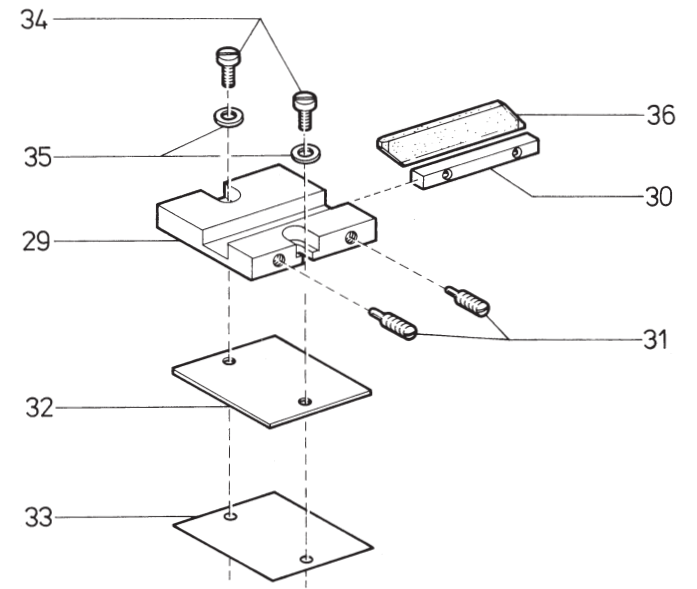
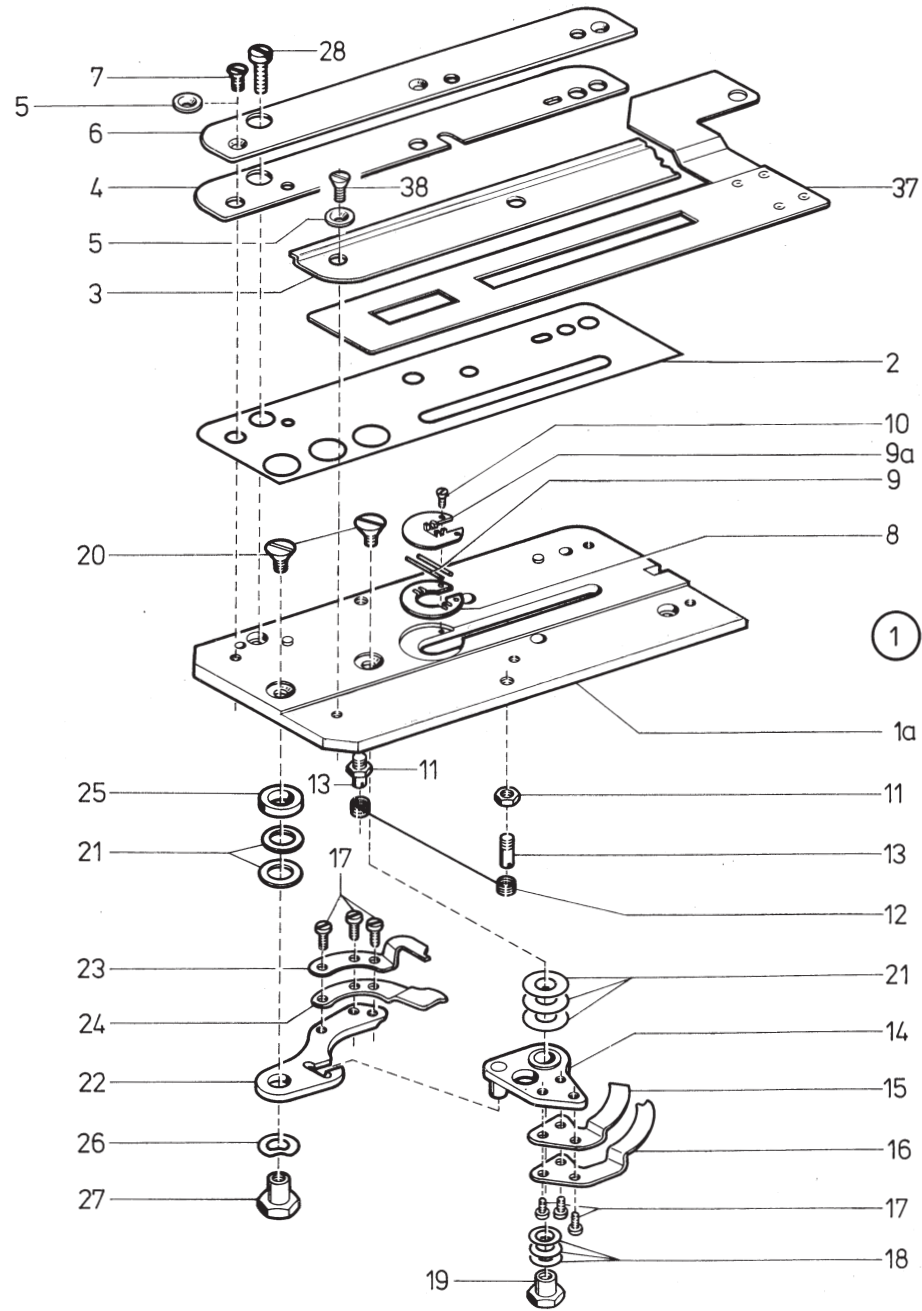


| Pos. Det. | Teile Nr. Part No. | Benennung | Denomination |
|--------------|-----------------------|--|---|
| | | 556-202101 | 556-202101 |
| 1 | 55616063 | Stichplatte kpl. (best. aus Pos. 1a bis 10 und 37) | Throat plate cpl. (consist. of pos. 1a up to 10 and 37) |
| 1a | 55616064 | Stichplatte | Throat plate |
| 2 | 55615862 | Gleitblech | Sliding plate |
| 3 | 55615811 | Deckblech | Right cover plate |
| 4 | 55615863 | Distanzblech | Left distance plate |
| 5 | 55615812 | Scheibe | Washer |
| 6 | 55615810 | Deckblech | Right cover plate |
| 7 | 420324 | Senkschraube | Countersunk screw |
| 9 | 55616067 | Stichpl.-Einsatz | Insert |
| 10 | 570934 | Senkschraube | Countersunk screw |
| 14 | 55615421 | Messerhalter | Knife holder |
| 15 | 55615833 | Unterfadenmesser | Lower thread knife |
| 16 | 55613528 | Fadenklemmblech | Thread plate |
| 17 | 5561687 | Zyl.-Schraube | Cyl. head screw |
| 18 | 57092916 | Scheibe | Washer |
| 19 | 55613532 | Mutter | Nut |
| 20 | 21163a | Senkschraube | Countersunk screw |
| 21 | 10011153 | Scheibe | Washer |
| 22 | 55615839 | Messerhalter | Knife holder |
| 23 | 55613536 | Unterfadenmesser | Lower thread knife |
| 24 | 55613537 | Fadenzieher | Thread puller |
| 25 | 55615843 | Abstandsring | Spacer ring |
| 26 | 420362 | Federscheibe | Spring washer |
| 27 | 55613542 | Mutter | Nut |
| 28 | 223100 | Zyl.-Schraube | Cyl. head screw |
| 29 | 55615142 | Platte | Plate |
| 30 | 55615143 | Leiste | Reglet |
| 31 | 55615144 | Gewindestift | Threaded stud |
| 32 | 55615145 | Distanzblech | Distance plate |
| 33 | 570912 | Zyl.-Schraube | Cyl. head screw |
| 34 | 5691895 | Scheibe | Washer |
| 35 | 55615848 | Schneidblock | Cutting block |
| 36 | 55615815 | Längenschieber | Length slide |
| 37 | 2231157 | Senkschraube | Countersunk screw |

| Pos. Det. | Teile Nr. Part No. | Benennung | Denomination |
|--------------|-----------------------|-----------|--------------|
|--------------|-----------------------|-----------|--------------|

| Pos. Det. | Teile Nr. Part No. | Benennung | Denomination |
|--------------|-----------------------|-----------|--------------|
|--------------|-----------------------|-----------|--------------|

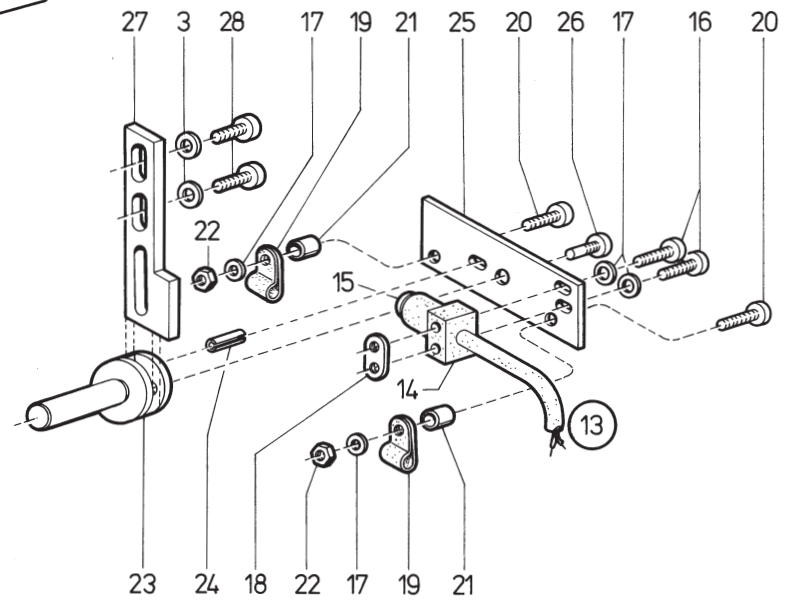
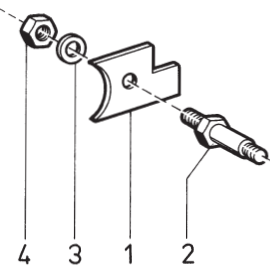
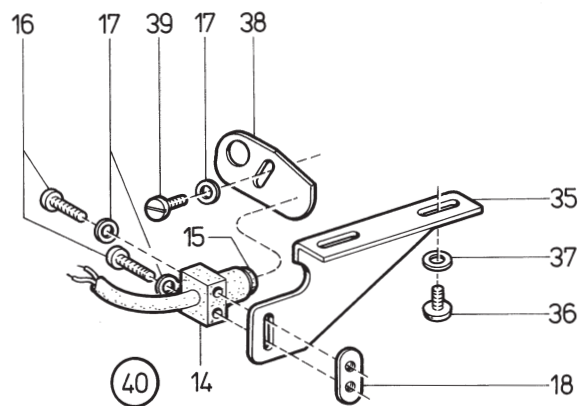
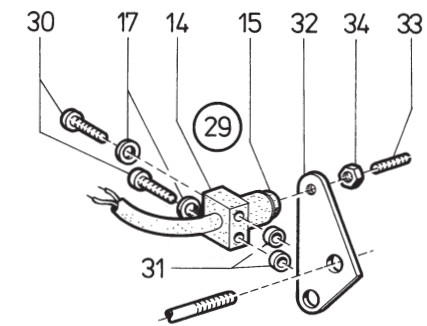
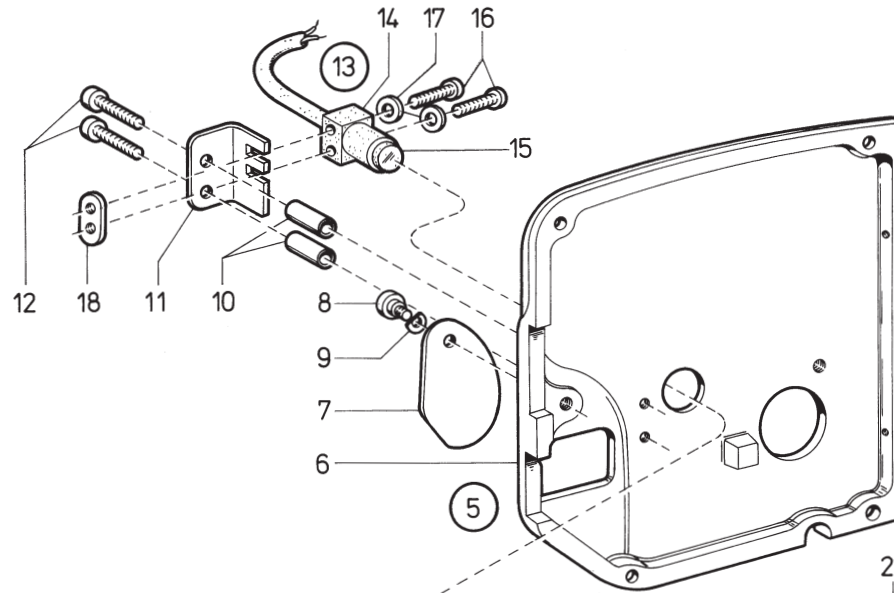


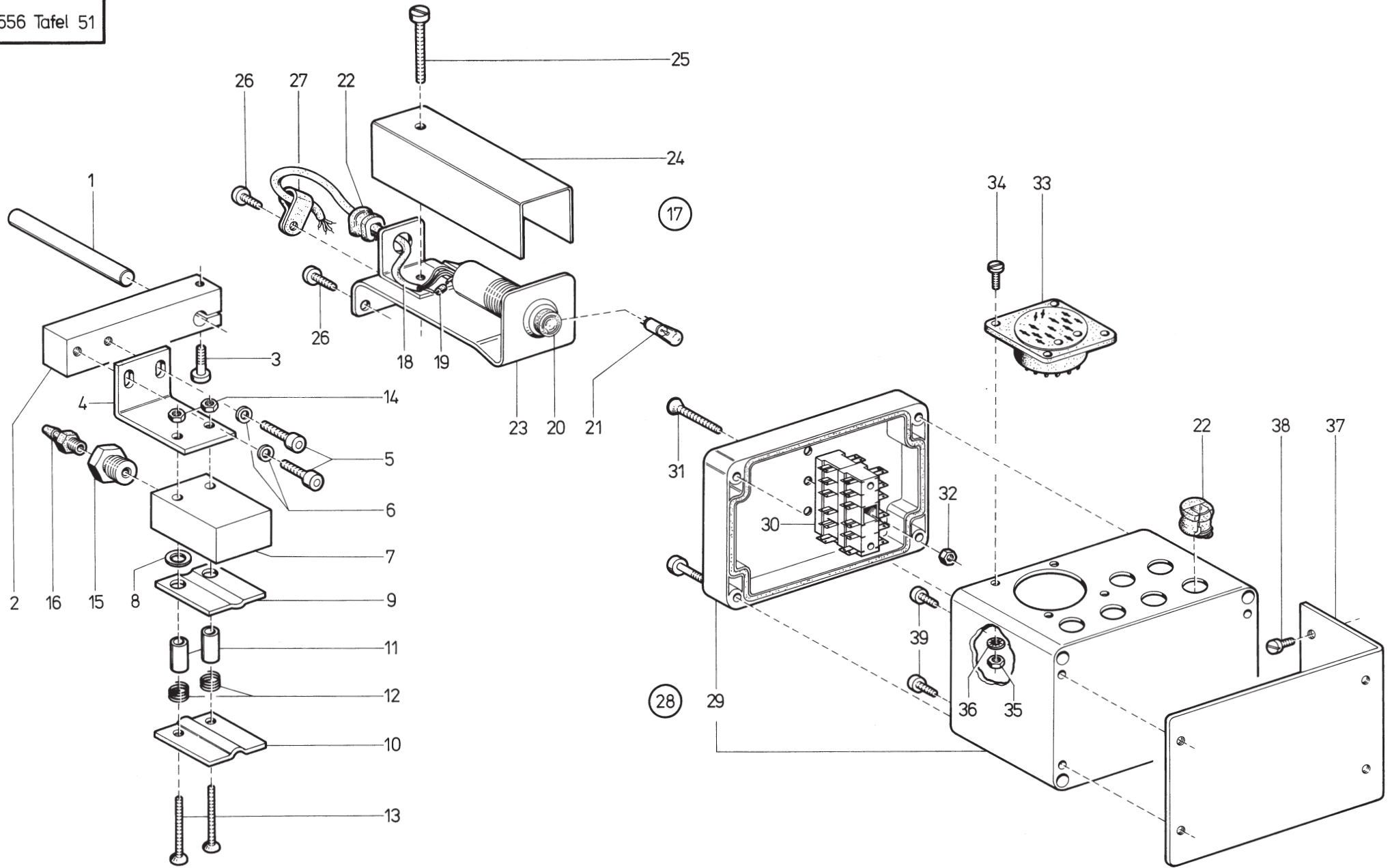


| Pos. Det. | Teile Nr. Part No. | Benennung | Denomination |
|--------------|-----------------------|---|--|
| | 556-205101 | | 556-205101 |
| 1 | 55615791 | Stichplatte kpl. (best. aus Pos. 1a bis 10) | Throat plate cpl. (consist. of pos. 1a up to 10) |
| 1a | 55615855 | Stichplatte | Throat plate |
| 2 | 55615862 | Gleitblech | Sliding plate |
| 3 | 55615811 | Deckblech | Right cover plate |
| 4 | 55615863 | Distanzblech | Left distance plate |
| 5 | 55615812 | Scheibe | Washer |
| 6 | 55615810 | Deckblech | Right cover plate |
| 7 | 420324 | Senkschraube | Countersunk screw |
| 8 | 55615858 | Scheibe | Washer |
| 9 | 55615859 | Stift | Pin |
| 9a | 55615860 | Stichpl. Einsatz | Insert |
| 10 | 531732 | Senkschraube | Countersunk screw |
| 11 | 55615821 | 6kt.-Mutter | Hexagonal nut |
| 12 | 55615822 | Spanndraht | Tension wire |
| 13 | 55615823 | Schaftschraube | Headless screw |
| 14 | 55615421 | Messerhalter | Knife holder |
| 15 | 55615833 | Unterfadenmesser | Lower thread knife |
| 16 | 55615834 | Fadenabweiser | Thread repeller |
| 17 | 5561687 | Zyl.-Schraube | Cyl. head screw |
| 18 | 57092916 | Scheibe | Washer |
| 19 | 55613532 | Mutter | Nut |
| 20 | 21163a | Senkschraube | Countersunk screw |
| 21 | 10011153 | Scheibe | Washer |
| 22 | 55615839 | Messerhalter | Knife holder |
| 23 | 55613536 | Unterfadenmesser | Lower thread knife |
| 24 | 55615841 | Fadenzieher | Thread puller |
| 25 | 55615843 | Abstandsring | Spacer ring |
| 26 | 420362 | Federscheibe | Spring washer |
| 27 | 55613542 | Mutter | Nut |
| 28 | 223100 | Zyl.-Schraube | Cyl. head screw |
| 29 | 55615142 | Platte | Plate |
| 30 | 55615143 | Leiste | Reglet |
| 31 | 55615144 | Gewindestift | Threaded stud |
| 32 | 55615146 | Distanzblech | Distance plate |
| 33 | 55615145 | Distanzblech * | Distance plate * |
| 34 | 570912 | Zyl.-Schraube | Cyl. head screw |
| 35 | 5691895 | Scheibe | Washer |
| 36 | 55615848 | Schneidblock | Cutting block |
| 37 | 55615864 | Längenschieber (für E 56/E 61) | Length slide (for E 56/E 61) |

| Pos. Det. | Teile Nr. Part No. | Benennung | Denomination |
|--------------|-----------------------|--|---|
| 37 | 55615866 | Längenschieber (für E 57) | Length slide (for E 57) |
| 38 | 902707 | Senkschraube | Countersunk screw |
| | | ** Restliche kpl.-Nr. siehe E-Blatt | ** Refer to sheet "E" for part numbers not quoted |
| | | * für Toleranzausgleich | * for Tolerance balancing |

| Pos. Det. | Teile Nr. Part No. | Benennung | Denomination |
|--------------|-----------------------|-----------|--------------|
|--------------|-----------------------|-----------|--------------|

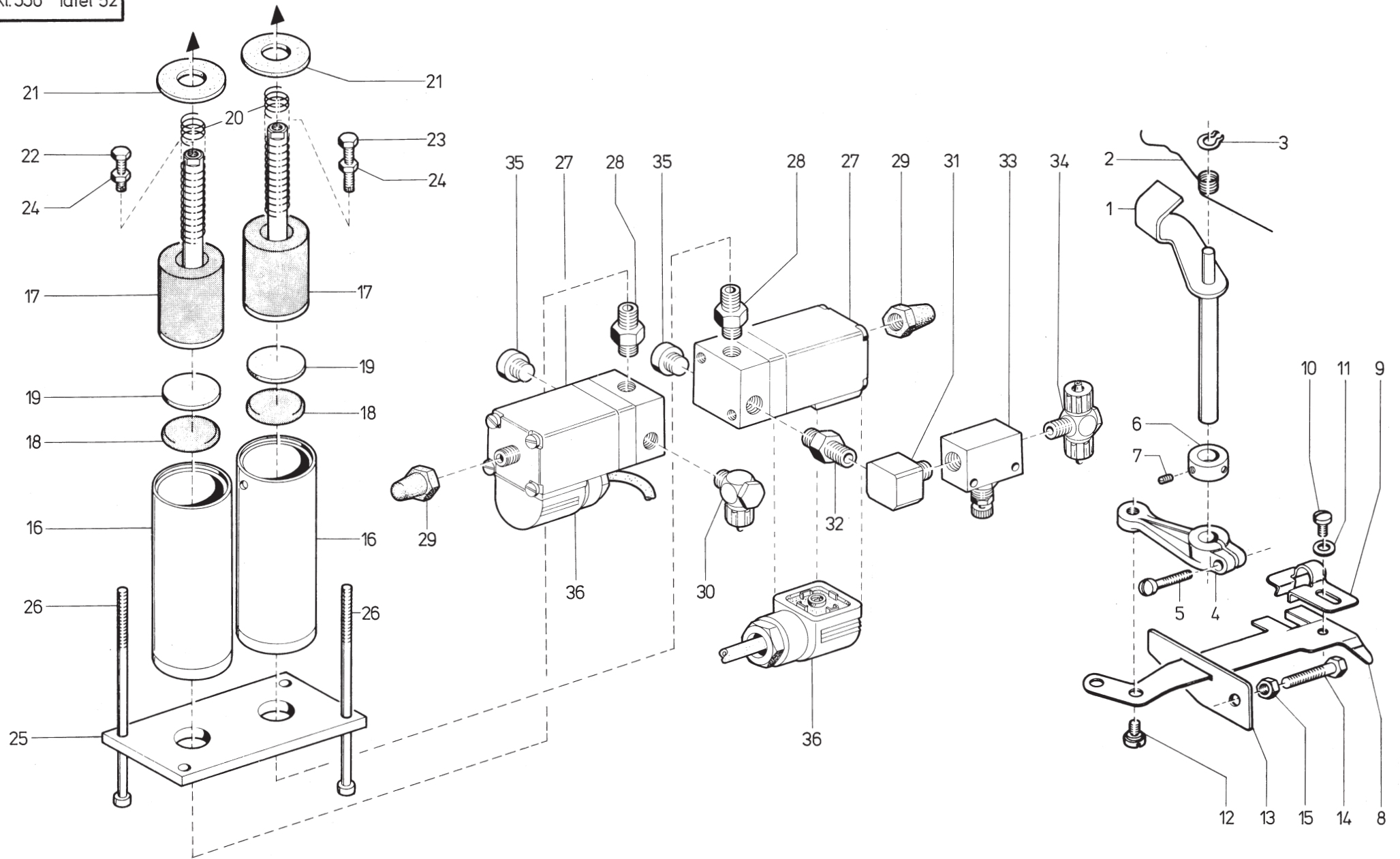




| Pos. Det. | Teile Nr. Part No. | Benennung | Denomination |
|--------------|-----------------------|--|--|
| | | 556-202101 | 556-202101 |
| | | 556-205101 | 556-205101 |
| 1 | 55615597 | Achse | Axle |
| 2 | 55615598 | Kloben kpl. (mit Pos. 3) | Block cpl. (with pos. 3) |
| 3 | 5581248 | 6kt.-Schraube | Hexagonal screw |
| 4 | 55615600 | Winkel | Angle |
| 5 | 902602 | Zyl.-Schraube | Cyl. head screw |
| 6 | 024275 | Scheibe | Washer |
| 7 | 7971028 | Zylinder | Cylinder |
| 8 | 5696884 | Scheibe | Washer |
| 9 | 55615603a | Platte | Plate |
| 10 | 55615603 | Platte | Plate |
| 11 | Z1511047 | Distanzrohr | Distance tube |
| 12 | 265136 | Druckfeder | Pressure spring |
| 13 | 7442042 | Senkschraube | Countersunk screw |
| 14 | MG8/7d | 6kt.-Mutter | Hexagonal nut |
| 15 | Z120362 | Reduziernippel | Reducing nipple |
| 16 | 7972016 | Schlauchtülle | Hose bush |
| 17 | 55615962 | Taster kpl. (best. aus Pos. 18 bis 25) | Feeler cpl. (consist. of pos. 18 up to 25) |
| 18 | 55615961 | Leitung kpl. (mit Pos. 19, 20, 21) | Lead cpl. (with pos. 19, 20, 21) |
| 19 | 742848 | Widerstand | Resistor |
| 20 | 74423868 | Leuchtdrucktaster | Radiant switch |
| 21 | 74423869 | Glühlampe | Bulb |
| 22 | 7981606 | Durchführung | Cable duct |
| 23 | 55615971 | Blech kpl. | Plate cpl. |
| 24 | 55615974 | Kappe | Cap |
| 25 | MG41/4574 | Zyl.-Schraube | Cyl. head screw |
| 26 | 216123 | Zyl.-Schraube | Cyl. head screw |
| 27 | 93311424 | Schelle | Clamp |
| 28 | 55615901 | Verteilergehäuse kpl. (best. aus Pos. 22, 29 bis 36) | Distributor housing (consist. of pos. 22, 29 up to 36) |
| 29 | 55615903 | Isogehäuse | Housing |
| 30 | 7465018 | Steckleisten | |
| 31 | 74423864 | Senkschraube | Countersunk screw |
| 32 | 202704 | 6kt.-Mutter | Hexagonal nut |
| 33 | 798480869 | Einbaustecker | Plug |
| 34 | 739317a | Zyl.-Schraube | Cyl. head screw |
| 35 | 5511824 | 6kt.-Mutter | Hexagonal nut |

| Pos. Det. | Teile Nr. Part No. | Benennung | Denomination |
|--------------|-----------------------|---------------|-----------------|
| 36 | 739298 | Zahnscheibe | Gear disk |
| 37 | 55615918 | Winkel | Angle |
| 38 | 10019130 | Zyl.-Schraube | Cyl. head screw |
| 39 | 739255 | Zyl.-Schraube | Cyl. head screw |

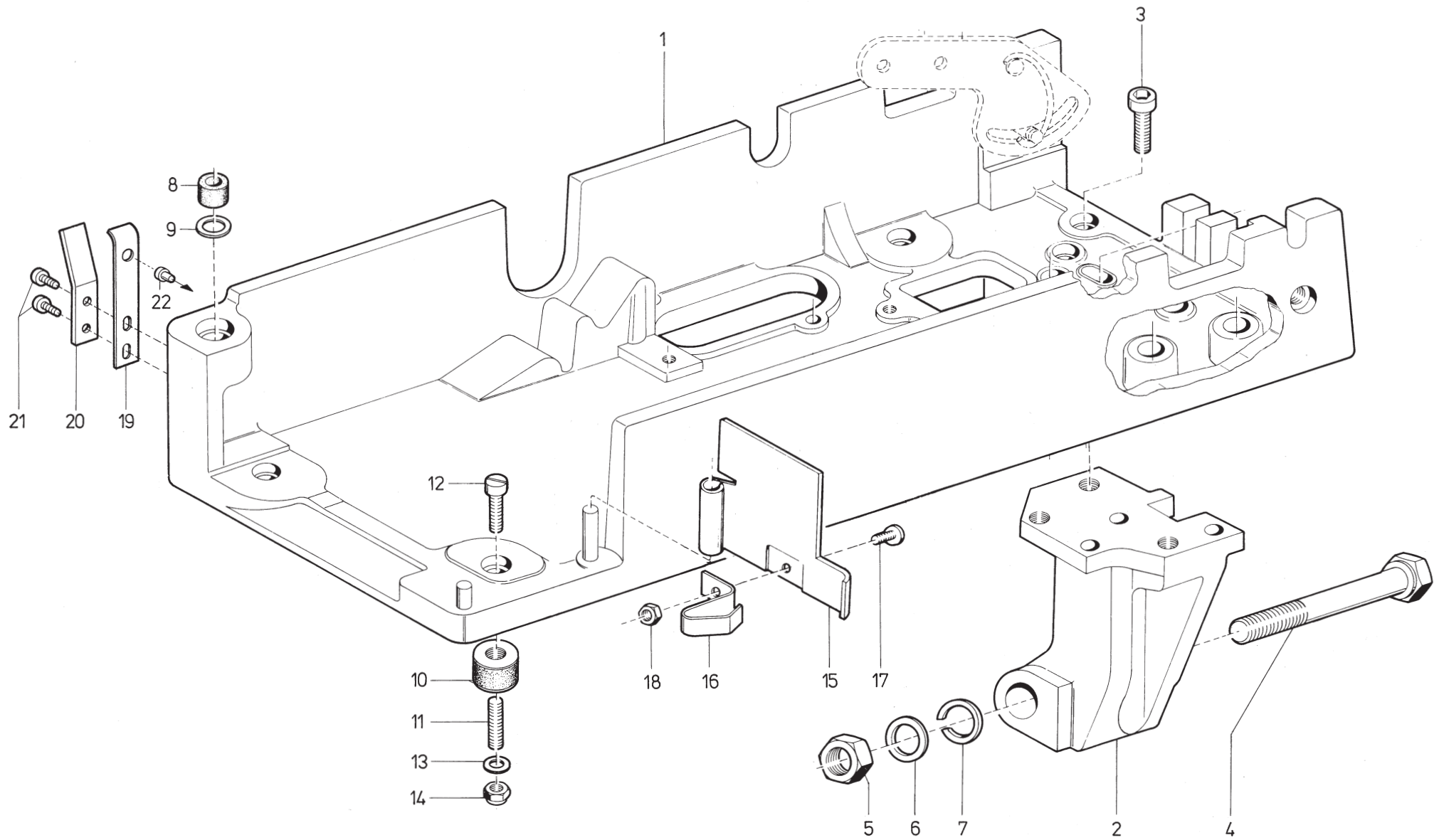
| Pos. Det. | Teile Nr. Part No. | Benennung | Denomination |
|--------------|-----------------------|-----------|--------------|
|--------------|-----------------------|-----------|--------------|



| Pos. Det. | Teile Nr. Part No. | Benennung | Denomination |
|--------------|-----------------------|--------------------------------|--------------------------------|
| | 556-202101 | | 556-202101 |
| | 556-205101 | | 556-205101 |
| 1 | 5561831 | Schalthebel | Control lever |
| 2 | 5561835 | Drehfeder | Torsion spring |
| 3 | 5701174 | Greifring | Gripping ring |
| 4 | 5701177 | Klemmhebel | Clamping lever |
| 5 | 902446 | Linsenschraube | Fillister head screw |
| 6 | 531470k | Stellring kpl. (mit Pos. 7) | Adi ring kpl. (with pos. 7) |
| 7 | 531471 | Gewindestift | Threaded stud |
| 8 | 5701182 | Riemengabel | Belt fork |
| 9 | 5701184 | Führungsblech | Guide plate |
| 10 | 216775 | Linsenschraube | Fillister head screw |
| 11 | 024275 | Scheibe | Washer |
| 12 | 10019108 | Ansatzschraube | Shoulder screw |
| 13 | 5701190 | Führungsblech | Guide plate |
| 14 | 5701192 | 6kt.-Schraube | Hexagonal screw |
| 15 | MG43/408 | 6kt.-Mutter | Hexagonal nut |
| 16 | 55615264 | Rohr | Tube |
| 17 | 55615269 | Kolbenstange | Piston rod |
| 18 | 55615267 | Topfmanschette | Cup collar |
| 19 | 55615268 | Scheibe | Washer |
| 20 | 55615274 | Druckfeder | Pressure spring |
| 21 | 55615275 | Scheibe | Washer |
| 22 | 5561865 | 6kt.-Schraube | Hexagonal screw |
| 23 | 5561864 | 6kt.-Schraube | Hexagonal screw |
| 24 | 2522389 | 6kt.-Mutter | Hexagonal nut |
| 25 | 55615287 | Platte | Plate |
| 26 | 55615288 | Zyl.-Schraube | Cyl. head screw |
| 27 | 797312 | Magnetventil | Solenoid valve |
| 28 | 7972605 | Doppelnippel | Double nipple |
| 29 | 7973191 | Schalldämpfer | Silencer |
| 30 | 7422273 | L-Verschr. | L-coupling screw |
| 31 | P12153 | Winkelstück | Angle piece |
| 32 | 7441819 | Doppelnippel | Double nipple |
| 33 | 7441820 | Drosselventil | Throttle valve |
| 34 | 74423557 | T-Verschr. | T-coupling screw |
| 35 | P12159 | Blindstopfen | Blind plug |
| 36 | 74428708 | Kabelkopf | Cable box |

| Pos. Det. | Teile Nr. Part No. | Benennung | Denomination |
|--------------|-----------------------|-----------|--------------|
|--------------|-----------------------|-----------|--------------|

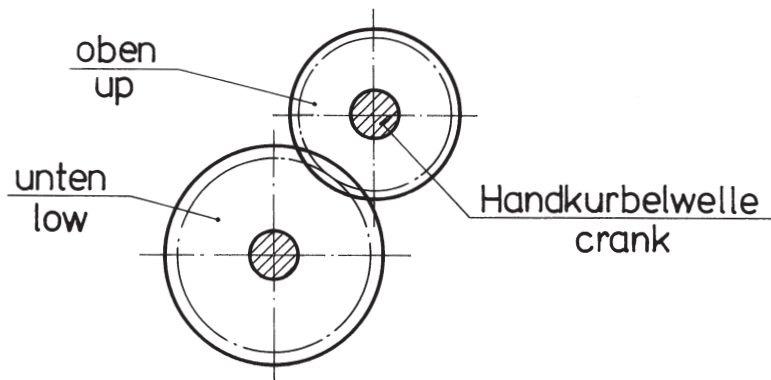
| Pos. Det. | Teile Nr. Part No. | Benennung | Denomination |
|--------------|-----------------------|-----------|--------------|
|--------------|-----------------------|-----------|--------------|



Tafel 54

Stichzahlen pro Knopfloch und dazugehörige Wechselräder der Klasse 556

Number of stitches per buttonhole and corresponding gears for class 556



| Stichzahl pro Knopfloch Number of stitches/buttonhole | Oberes Zahnrad Zähnezahl Teile-Nr.: | | Unteres Zahnrad Zähnezahl Teile-Nr.: | |
|--|--|----------|---|----------|
| | Upper gear Number of teeth | Part No. | Lower gear Number of teeth | Part No. |
| 76 | 22 | 556 766 | 57 | 556 801 |
| 81 | 23 | 556 767 | 56 | 556 800 |
| 86 | 24 | 556 768 | 55 | 556 799 |
| 91 | 25 | 556 769 | 54 | 556 798 |
| 97 | 26 | 556 770 | 53 | 556 797 |
| 102 | 27 | 556 771 | 52 | 556 796 |
| 108 | 28 | 556 772 | 51 | 556 795 |
| 114 | 29 | 556 773 | 50 | 556 794 |
| 120 | 30 | 556 774 | 49 | 556 793 |
| 127 | 31 | 556 775 | 48 | 556 792 |
| 134 | 32 | 556 776 | 47 | 556 791 |
| 141 | 33 | 556 777 | 46 | 556 790 |
| 149 | 34 | 556 778 | 45 | 556 789 |
| 157 | 35 | 556 779 | 44 | 556 788 |
| 165 | 36 | 556 780 | 43 | 556 787 |
| 173 | 37 | 556 781 | 42 | 556 786 |
| 182 | 38 | 556 782 | 41 | 556 785 |
| 192 | 39 | 556 783 | 40 | 556 784 |
| 202 | 40 | 556 784 | 39 | 556 783 |
| 212 | 41 | 556 785 | 38 | 556 782 |
| 223 | 42 | 556 786 | 37 | 556 781 |
| 235 | 43 | 556 787 | 36 | 556 780 |
| 247 | 44 | 556 788 | 35 | 556 779 |
| 261 | 45 | 556 789 | 34 | 556 778 |
| 274 | 46 | 556 790 | 33 | 556 777 |
| 289 | 47 | 556 791 | 32 | 556 776 |
| 305 | 48 | 556 792 | 31 | 556 775 |
| 321 | 49 | 556 793 | 30 | 556 774 |
| 339 | 50 | 556 794 | 29 | 556 773 |
| 358 | 51 | 556 795 | 28 | 556 772 |
| 379 | 52 | 556 796 | 27 | 556 771 |
| 401 | 53 | 556 797 | 26 | 556 770 |
| 425 | 54 | 556 798 | 25 | 556 769 |
| 451 | 55 | 556 799 | 24 | 556 768 |
| 479 | 56 | 556 800 | 23 | 556 767 |
| 510 | 57 | 556 801 | 22 | 556 766 |

| Best.-Nr. | Tafel | Best.-Nr. | Tafel | Best.-Nr. | Tafel |
|-----------|----------------------------------|-----------|---|-----------|------------|
| App00053 | 21 | Z1321224 | 26,41 | 21100104 | 9 |
| App00056 | 21 | Z1511047 | 51 | 21100106 | 9 |
| APP00291 | 44 | 00400079 | 8,48 | 21100109 | 4,15,34 |
| App00302 | 21 | 02100005 | 42 | 21100162 | 5 |
| App01010 | 25a | 02100154 | 8,22,37 | 21100194 | 1,10,29 |
| App01022 | 25a | 02400275 | 4,6,12,14,24,30,34, 36,38,46,48,50,51,52 | 21100198 | 2,30 |
| App01061 | 25a | | | 21100268 | 20 |
| App01069 | 25a | 04300354 | 46 | 21100296 | 34 |
| App01132 | 25a | 04300416 | 21 | 21100300 | 11 |
| App01141 | 25a | 05200047 | 27 | 21100305a | 2,30 |
| App01142 | 25a | 05200369 | 21 | 21100315 | 7,32 |
| App01161 | 25a | 05200475a | 27 | 21100331 | 39 |
| App01169 | 25a | 05200945 | 27 | 21100373 | 4,34 |
| App20160 | 9 | 05200948 | 27 | 21100395 | 5 |
| App20160 | 17 | 05200952 | 27 | 21100398 | 3,31 |
| MG080007d | 4,17,30,32,34,39,40, 41,43,51 | 05500214 | 32 | 21100496 | 11,36,50 |
| | | 05500399 | 8,37,48 | 21100511 | 4,34 |
| MG411364 | 41 | 05500400 | 8,37,48 | 21100518 | 7,32 |
| MG414073 | 25a,41,43 | 05500408 | 8,37 | 21100519 | 4,34 |
| MG414323 | 13,53 | 10010108 | 34 | 21100547 | 44 |
| MG414498 | 21 | 10011153 | 33,40,47,49 | 21100582 | 11,36,50 |
| MG414524 | 25 | 10011162 | 2,30 | 21100616 | 18 |
| MG414574 | 51 | 10019108 | 2,4,14,30,38,52 | 21100624 | 25 |
| MG418660 | 10 | 10019123 | 19,35 | 21100633 | 15 |
| MG430036 | 12,26,41 | 10019128 | 2,3,31,44 | 21100647 | 3,31 |
| MG430402 | 18 | 10019130 | 8,13,19,35,37,45,46 51,53 | 21100699 | 21 |
| MG430403 | 18 | | | 21100806 | 9 |
| MG430404 | 18 | 10019137 | 50 | 21100919 | 20 |
| MG430408 | 7,12,14,26,32,38,40, 52 | 10019140 | 2,30 | 21103028 | 5,17,39 |
| | | 10019142 | 5 | 21103295 | 37 |
| MG430409 | 18 | 10019148 | 6 | 21103299 | 37 |
| MG432510 | 18 | 10019150 | 43 | 21105641 | 25 |
| MG432594 | 18 | 10019227 | 30 | 21108285 | 9 |
| MG432599 | 18 | 10019228 | 46 | 21109052 | 44 |
| MG432601 | 18 | 10019236 | 12 | 21109650 | 32 |
| MG432602 | 18 | 10019243 | 22 | 21109879 | 10,17,39 |
| MG432610 | 18 | 10019247 | 37 | 21109969 | 14 |
| NB311012 | 25a | 10019274 | 8 | 21110125 | 22,42 |
| P1210053 | 52 | 10050233 | 27,30,44,50 | 21110643 | 32 |
| P1210059 | 41,52 | 10059201 | 3,31 | 21110774 | 20 |
| P1210110 | 17,39,40 | 14700203 | 4,9,34 | 21150301 | 40 |
| P1210150 | 1 | 20200704 | | 21150302 | 40 |
| P1210150 | 29 | | 4,13,19,26,34,35,36, 40,41,45,50,51,53 | 21200053 | 12 |
| P1250016 | 41 | | | 21200067 | 12 |
| Z1110162 | 40 | 20200708 | 9,50 | 21200088 | 15 |
| Z1120611 | 40 | 20400339 | 20 | 21200113 | 30 |
| Z1121861 | 41 | 20400340 | 20 | 21200232 | 3 |
| Z1150038 | 25,26,41 | 20400827 | 7 | 21200232 | 31 |
| Z1150077 | 26,41 | 21100007 | 3,8,31,37 | 21300370 | 3,6,31,48 |
| Z1160041 | 36 | 21100013 | 2,5,10,30 | 21300731 | 21 |
| Z1160047 | 26,41 | 21100031 | 2,30 | 21300754 | 21 |
| Z1200362 | 41,51 | 21100063a | 33,47,49 | 21402222 | 7,48 |
| Z1320906 | 26,41 | 21100081 | 2 | 21600011 | 8,37 |
| Z1321201 | 26 | 21100083 | 3,31 | 21600028 | 25a |
| Z1321203 | 26,41 | 21100084 | 10 | 21600042 | 2,29,30 |
| Z1321205 | 26,41 | 21100088 | 2,30 | 21600046 | 4,16,34,50 |
| Z1321209 | 26,41 | 21100100a | 12,40,44 | 21600051 | 15,15 |

| Best.-Nr. | Tafel | Best.-Nr. | Tafel | Best.-Nr. | Tafel |
|-----------|-----------------------------------|-----------|-----------------------|-----------|-------------------|
| 21600052 | 3,4,7,8,9,10,32,34,37 | 22700596 | 8,37,50 | 53100460 | 3,31,36,44,46 |
| 21600068 | 26,41,3 | 23100453 | 50 | 53100470K | 52 |
| 21600088 | 5,8,31,37,48 | 23100454 | 10 | 53100471 | 1,2,5,29,52,33,49 |
| 21600098 | 3,4,8,19,31,34,35,37 | 23700202 | 12,36,43,44,50 | 54101395 | 3,4,16,31,34 |
| 21600103 | 44 | 23700624 | 8,37 | 55101246 | 40 |
| 21600120 | 10,11,19,35 | 24000580 | 1,29 | 55101824 | 19,35,51 |
| 21600123 | 4,7,10,11,12,34,35,43 46,50,51 | 24001027 | 9,12 | 55103188 | 8,37 |
| 21600199 | 5 | 24001129 | 25a | 55500685 | 21 |
| 21600209 | 2,30 | 24100320 | 12 | 55600007 | 1,29 |
| 21600216 | 3,13,31,53 | 24102222 | 32 | 55600012 | 1 |
| 21600224 | 3 | 24400411 | 8,37 | 55600017 | 1,12 |
| 21600288 | 14 | 24400413 | 8,37, | 55600019 | 1 |
| 21600301 | 11,15 | 24400414 | 8,37 | 55600026 | 1,29 |
| 21600324 | 44 | 24400415 | 8,37 | 55600027 | 1,29 |
| 21600346 | 2,30 | 24400416 | 8,37 | 55600028 | 1,29 |
| 21600354 | 20,26,44 | 24400803 | 9 | 55600033 | 1,29 |
| 21600369 | 32 | 24400992 | 20 | 55600039 | 1,29 |
| 21600415 | 5 | 24401066 | 21 | 55600041 | 10 |
| 21600425 | 24,46 | 24401067 | 21 | 55600044 | 1,29 |
| 21600508 | 27 | 24401068 | 21 | 55600046 | 1 |
| 21600537 | 11 | 24600848 | 37 | 55600050 | 1 |
| 21600542 | 1,7,29,32, | 24600984 | 3,31 | 55600053 | 3 |
| 21600573 | 5,8,37 | 24900116 | 40 | 55600055 | 3,31 |
| 21600589 | 10 | 25200373 | 20 | 55600057 | 3,31 |
| 21600589 | 37 | 25202389 | 1,4,14,29,34,38,44,52 | 55600063 | 3,31 |
| 21600601 | 20,25 | 25202955 | 44 | 55600071 | 3,31 |
| 21600603K | 8,37 | 25500129 | 3,31,36 | 55600073 | 3,31 |
| 21600609 | 2,30 | 25500356 | 9 | 55600078 | 3,31 |
| 21600656 | 5,10 | 26500106 | 3,31, | 55600080 | 3,44 |
| 21600656 | 12,14,38 | 26500136 | 3,11,31,51 | 55600081 | 3 |
| 21600658 | 2,4,34 | 26500138 | 3,31 | 55600088 | 3,31 |
| 21600660 | 12,26,41 | 26500151 | 3,31 | 55600098K | 2 |
| 21600763 | 12,30,14,38 | 26500177 | 11 | 55600100 | 2,30 |
| 21600775 | 52 | 26500193 | 36 | 55600101 | 2,30 |
| 21601146 | 11 | 26500379b | 31 | 55600103 | 3,31 |
| 21601157 | 22 | 26500685 | 12 | 55600107 | 3,31 |
| 21700775 | 8,37 | 26500704 | 3,5,31 | 55600110 | 3,31 |
| 21700849 | 23 | 26500736 | 5 | 55600111 | 3,31 |
| 22300100 | 33,47,49 | 26500751 | 9 | 55600115 | 3,31 |
| 22300237 | 1,3,7,12,29,30,31 | 26500753 | 9 | 55600121 | 3,31 |
| 22300245 | 1,4,5,7,9,10,14,29,34 38,41 | 26503046 | 1,29 | 55600123 | 31 |
| 22300327 | 2 | 26508555 | 22 | 55600125 | 3,31 |
| 22300448 | 7,32 | 26508716a | 39,40 | 55600128 | 3,31 |
| 22300531 | 22 | 26700248 | 16 | 55600135 | 3,31 |
| 22300646 | 1 | 27000022 | 13,45 | 55600141 | 3,31 |
| 22300648 | 1,3,8,9,12,29,31,37 | 27000079 | 3,31 | 55600144 | 3,31 |
| 22300652 | 2,5,30 | 27000631 | 12 | 55600148 | 3,31 |
| 22300669 | 3,17,18,31,39 | 38000095 | 4,34 | 55600150 | 3,31 |
| 22300676 | 1,2,5,11,26,36,50,53 | 38000122 | 7,46 | 55600151 | 3,31 |
| 22300699a | 35 | 38000241 | 30 | 55600156 | 3,31 |
| 22300700 | 2,8,9,11,30,36,37,46 48 | 42000036 | 32 | 55600161 | 3,31 |
| 22301157 | 47 | 42000084 | 1,29 | 55600171 | 2,30 |
| 22301296 | 5,26,41 | 42000324 | 47,49 | 55600173 | 2,30 |
| 22305047 | 8,37 | 42000362 | 2,7,30,33,47,49 | 55600194 | 2,30 |
| | | 42000413 | 7,3,31 | 55600201 | 1,2,29,30 |
| | | 42100222 | 4,5,34 | 55600216 | 2,30 |
| | | 42200277 | 10 | 55600221 | 2,30 |

| Best.-Nr. | Tafel | Best.-Nr. | Tafel | Best.-Nr. | Tafel |
|-----------|------------|-----------|-----------|-----------|-----------|
| 55600224 | 2,30 | 55600424 | 3,31 | 55600631 | 5 |
| 55600227 | 2,30 | 55600426 | 3,31 | 55600637 | 5 |
| 55600228e | 2,30 | 55600428 | 2 | 55600640 | 5 |
| 55600230 | 2,30 | 55600431 | 3,31 | 55600641 | 5 |
| 55600233 | 2,30 | 55600433 | 3,31 | 55600645 | 5 |
| 55600237 | 2,30 | 55600434 | 3,31 | 55600646 | 5 |
| 55600238 | 2,30 | 55600435 | 3 | 55600648 | 5 |
| 55600245 | 2,30 | 55600437 | 3,31 | 55600649 | 5 |
| 55600251 | 2,30 | 55600440 | 3,31 | 55600650 | 5 |
| 55600252 | 2,30 | 55600441 | 3,31 | 55600658 | 46 |
| 55600277 | 2 | 55600443 | 3,31,42 | 55600659 | 48 |
| 55600278 | 2 | 55600445 | 3,31 | 55600661 | 46,48 |
| 55600282 | 2 | 55600446 | 3,31 | 55600662 | 46,48 |
| 55600283 | 2 | 55600452 | 5 | 55600666 | 6 |
| 55600284 | 2 | 55600453 | 5 | 55600669 | 6 |
| 55600285 | 2 | 55600456 | 5 | 55600672 | 6 |
| 55600286 | 2 | 55600457 | 5 | 55600683 | 6 |
| 55600288 | 1,2 | 55600458 | 5 | 55600688 | 6 |
| 55600289 | 1 | 55600541 | 5 | 55600689 | 6 |
| 55600293 | 2 | 55600545 | 5 | 55600690 | 6 |
| 55600301 | 2 | 55600546 | 5 | 55600692 | 6 |
| 55600302 | 2 | 55600548 | 5 | 55600695 | 6 |
| 55600307 | 2 | 55600552 | 5 | 55600698 | 4,34 |
| 55600307 | 2 | 55600554 | 5 | 55600701 | 4,34 |
| 55600309 | 2 | 55600555 | 5 | 55600702 | 4,34 |
| 55600312 | 2 | 55600556 | 5 | 55600703 | 4,34 |
| 55600318 | 2 | 55600561a | 5 | 55600706 | 4,34 |
| 55600321 | 2 | 55600562a | 5 | 55600707 | 4,34 |
| 55600324 | 2 | 55600566 | 5 | 55600708 | 4,34 |
| 55600327 | 3 | 55600567 | 5 | 55600709 | 4,34 |
| 55600332 | 3 | 55600569 | 5 | 55600710 | 4,34 |
| 55600334 | 3 | 55600570 | 5 | 55600712 | 4,34 |
| 55600336 | 3 | 55600572 | 5 | 55600723 | 4,34 |
| 55600341 | 3 | 55600574 | 5 | 55600729 | 4,34 |
| 55600343 | 3 | 55600575 | 5 | 55600736 | 4,34 |
| 55600347 | 3 | 55600578K | 5 | 55600737 | 4,34 |
| 55600348 | 3 | 55600579 | 5 | 55600738 | 4,34 |
| 55600351 | 3 | 55600581 | 5 | 55600741 | 4,34 |
| 55600352 | 3 | 55600584 | 4,5,34 | 55600744 | 4,34 |
| 55600353 | 3 | 55600585 | 5 | 55600746 | 1,4,29,34 |
| 55600355 | 3,31 | 55600586 | 5 | 55600759 | 4,34 |
| 55600357 | 3,31,46 | 55600587 | 5 | 55600764 | 1,29 |
| 55600359 | 3,31 | 55600588 | 5 | 55600811 | 4 |
| 55600361 | 3,31 | 55600591 | 5 | 55600814 | 4,35 |
| 55600362 | 1,43 | 55600594 | 5 | 55600817 | 4,35 |
| 55600366 | 3,31 | 55600598 | 5 | 55600818 | 4,35 |
| 55600370 | 3,31 | 55600599 | 5 | 55600819a | 4,35 |
| 55600374 | 3,31 | 55600606 | 5 | 55600820 | 4 |
| 55600377 | 3,31 | 55600607 | 5 | 55600821a | 4 |
| 55600379 | 12 | 55600609 | 28 | 55600822 | 4,34 |
| 55600381 | 2 | 55600612 | 5 | 55600824 | 4,34 |
| 55600382 | 2 | 55600613 | 5 | 55600827 | 4,34 |
| 55600383 | 2 | 55600618 | 5 | 55600828 | 4,34 |
| 55600384 | 2 | 55600619 | 5 | 55600831 | 4,34 |
| 55600387 | 2,24,44,46 | 55600622 | 5 | 55600835 | 4,34 |
| 55600389 | 2 | 55600626 | 5,6,43,44 | 55600840 | 4,34 |
| 55600421 | 3,31 | 55600627 | 5,6 | 55600841 | 4,34 |

| Best.-Nr. | Tafel | Best.-Nr. | Tafel | Best.-Nr. | Tafel |
|-----------|---------|-----------|-----------|-----------|----------|
| 55600846 | 4,34 | 55600972a | 8,37 | 55601147 | 10 |
| 55600851K | 4,34 | 55600976a | 8,37 | 55601151 | 10 |
| 55600852 | 4,34 | 55600983 | 8,37 | 55601155 | 10 |
| 55600854 | 4,34 | 55600986 | 8,37 | 55601161 | 2,27 |
| 55600855 | 4,34 | 55600988 | 8,37 | 55601163 | 27 |
| 55600855 | 44 | 55600994 | 37 | 55601164 | 10 |
| 55600856 | 4,34 | 55600997 | 8,37 | 55601166 | 2 |
| 55600861 | 4,34 | 55601005 | 8,37 | 55601167 | 2 |
| 55600865 | 4,34 | 55601009 | 8,37 | 55601169 | 2 |
| 55600867 | 4,34 | 55601011 | 8,37 | 55601181 | 1,29 |
| 55600870 | 4,34 | 55601023 | 8,37 | 55601184 | 1,29 |
| 55600871 | 4,34 | 55601028a | 8,37 | 55601189 | 1,29 |
| 55600873a | 4,34 | 55601031 | 8 | 55601201K | 12 |
| 55600874 | 4 | 55601051 | 8,37 | 55601212 | 12 |
| 55600875 | 4,34 | 55601052 | 8,37 | 55601216 | 12 |
| 55600876 | 4 | 55601061 | 1,29 | 55601238 | 12 |
| 55600877 | 4,34 | 55601064K | 1,29 | 55601239 | 12 |
| 55600878 | 4,34 | 55601064 | 1,29 | 55601240 | 12 |
| 55600880 | 4,34 | 55601066 | 1,29 | 55601243 | 12 |
| 55600885a | 4,34 | 55601067 | 1,29 | 55601245 | 12 |
| 55600885K | 4,34 | 55601068a | 1,29 | 55601251 | 12 |
| 55600887 | 4,34 | 55601069 | 1,29 | 55601256 | 12 |
| 55600888 | 4,34 | 55601070 | 1,29 | 55601257a | 12 |
| 55600891 | 4,34 | 55601073 | 1,29 | 55601259 | 12 |
| 55600893 | 4,34 | 55601074K | 1,29 | 55601276 | 12 |
| 55600894 | 4,34 | 55601076 | 1,29 | 55601277 | 12 |
| 55600895 | 4,26,34 | 55601077 | 1,29 | 55601278 | 12 |
| 55600897 | 4,34 | 55601078 | 1,29 | 55601282 | 12 |
| 55600898 | 4,34 | 55601080 | 1,29 | 55601283 | 12 |
| 55600899 | 5 | 55601084 | 1,29 | 55601284 | 12 |
| 55600901 | 5 | 55601086 | 1,29 | 55601285 | 12 |
| 55600903K | 5 | 55601089 | 1,29 | 55601290 | 12 |
| 55600905 | 8,37 | 55601090 | 1,29 | 55601292 | 12 |
| 55600909 | 5 | 55601091 | 1,29 | 55601296a | 12 |
| 55600910 | 8,37 | 55601092 | 1,29 | 55601297 | 1,44 |
| 55600913 | 8,37 | 55601093 | 1,2,29,30 | 55601300 | 12,50 |
| 55600915 | 8,37 | 55601095 | 1,29 | 55601306 | 12 |
| 55600917 | 8,48 | 55601099K | 1,29 | 55601309 | 12 |
| 55600918 | 8,48 | 55601101 | 10 | 55601310 | 12 |
| 55600919 | 8,37,48 | 55601103 | 10 | 55601311 | 12 |
| 55600923 | 8,37,48 | 55601105 | 10 | 55601312 | 12 |
| 55600924 | 8,48 | 55601107b | 10 | 55601313 | 4,35 |
| 55600927 | 8,37 | 55601108 | 10 | 55601316 | 12 |
| 55600933 | 8,37,48 | 55601109 | 10 | 55601321 | 11 |
| 55600935 | 8,37,48 | 55601118 | 10 | 55601323 | 11 |
| 55600936 | 8,48 | 55601119 | 10 | 55601331 | 11 |
| 55600939 | 8,48 | 55601123 | 10 | 55601333 | 11,36,50 |
| 55600940 | 8,48 | 55601125 | 10 | 55601336 | 11 |
| 55600942 | 8,48 | 55601125 | 10 | 55601339 | 11 |
| 55600946 | 8,37,48 | 55601127 | 10 | 55601341 | 11 |
| 55600947 | 8,37,48 | 55601131K | 10 | 55601342 | 11 |
| 55600949 | 8,48 | 55601132 | 5,10 | 55601344 | 11 |
| 55600950 | 8,48 | 55601134 | 10 | 55601346 | 11 |
| 55600954 | 8,48 | 55601135 | 10 | 55601348 | 11 |
| 55600958 | 3,31 | 55601137 | 10 | 55601348a | 11 |
| 55600959 | 8,37 | 55601138 | 10 | 55601359a | 11 |
| 55600971a | 8,37 | 55601143 | 10 | 55601379 | 1,29 |

| Best.-Nr. | Tafel | Best.-Nr. | Tafel | Best.-Nr. | Tafel |
|-----------|---------|-----------|------------|-----------|----------|
| 55601381 | 12 | 55601653 | 7,32 | 55601862 | 14 |
| 55601382 | 22 | 55601655 | 7,32 | 55601863 | 14 |
| 55601385 | 12 | 55601656 | 7 | 55601864 | 14,38,52 |
| 55601394 | 12 | 55601662 | 7 | 55601865 | 14,38,52 |
| 55601396 | 12 | 55601667K | 7 | 55601867 | 14 |
| 55601402 | 12 | 55601672 | 7 | 55601868 | 14 |
| 55601403 | 12 | 55601673 | 7 | 55601871 | 14,38 |
| 55601408 | 12 | 55601675 | 7 | 55601875 | 14,38 |
| 55601411 | 10 | 55601676 | 7,32 | 55601876 | 14,38 |
| 55601412 | 10 | 55601676a | 7,32 | 55601892 | 16 |
| 55601418 | 10 | 55601679 | 7 | 55601893 | 15 |
| 55601423 | 10 | 55601681 | 7 | 55601894 | 15 |
| 55601441K | 7,32 | 55601682 | 7 | 55601895 | 15 |
| 55601447 | 7 | 55601683 | 7 | 55601907 | 17,39,40 |
| 55601450 | 7,32 | 55601684a | 7 | 55601908 | 17,39,40 |
| 55601451 | 7 | 55601685a | 7 | 55601911 | 17,39,40 |
| 55601454 | 7,32,48 | 55601686 | 50 | 55601916 | 17,39,40 |
| 55601455 | 7 | 55601687 | 7,33,47,49 | 55601917 | 17,39,40 |
| 55601457 | 1,29 | 55601688 | 7 | 55601943 | 15 |
| 55601459 | 1,29 | 55601689 | 7 | 55602011 | 17 |
| 55601462 | 1,29 | 55601694 | 9 | 55602022 | 17 |
| 55601464 | 1,29 | 55601695 | 9 | 55602023 | 17 |
| 55601469 | 1,9 | 55601696 | 9 | 55602023 | 39,17 |
| 55601469 | 29 | 55601697 | 9 | 55602025 | 39,40 |
| 55601474 | 9 | 55601701 | 9 | 55602026 | 13 |
| 55601494 | 9 | 55601702 | 9 | 55602027 | 13 |
| 55601496 | 9 | 55601703 | 9 | 55602029b | 17,39 |
| 55601497 | 9 | 55601705 | 9 | 55602030 | 13 |
| 55601502a | 9 | 55601706 | 9 | 55602031 | 17,39 |
| 55601507 | 9 | 55601707 | 9 | 55602036 | 17,39 |
| 55601520 | 9 | 55601708 | 9 | 55602038 | 17,39 |
| 55601521 | 9 | 55601741 | 11 | 55602041 | 17,39 |
| 55601525 | 9 | 55601753 | 11 | 55602050K | 17,18,39 |
| 55601526 | 9 | 55601756 | 11 | 55602051a | 17,39 |
| 55601528 | 9 | 55601785 | 13 | 55602052a | 17,39 |
| 55601529 | 9 | 55601787 | 13 | 55602053a | 17,39 |
| 55601531 | 9 | 55601789 | 13,34,53 | 55602054 | 17,18,39 |
| 55601532 | 9 | 55601793 | 13,53 | 55602054a | 17,18,39 |
| 55601534 | 9 | 55601796 | 13,53 | 55602055 | 17,39 |
| 55601535 | 9 | 55601798 | 13 | 55602056 | 17,39 |
| 55601556 | 31 | 55601800 | 13,45,53 | 55602057 | 17,39 |
| 55601567 | 11 | 55601804 | 14,38 | 55602059 | 17,39 |
| 55601568 | 11 | 55601808 | 14,38 | 55602060 | 17,39 |
| 55601571 | 9 | 55601811 | 14,38 | 55602064 | 28 |
| 55601572 | 9 | 55601815 | 14,38 | 55602065a | 1,29 |
| 55601581 | 9 | 55601817 | 14 | 55602068 | 17 |
| 55601582 | 9 | 55601821 | 14 | 55602111 | 28 |
| 55601584 | 9 | 55601824 | 14 | 55602119 | 28 |
| 55601595 | 20 | 55601827 | 14 | 55602171 | 28 |
| 55601597 | 20 | 55601829 | 14 | 55602221 | 22 |
| 55601599 | 20 | 55601830 | 14,39 | 55602223 | 22 |
| 55601603 | 21 | 55601831 | 14,38,52 | 55602231 | 22 |
| 55601646 | 7,32 | 55601835 | 14,38,52 | 55602236 | 22 |
| 55601647 | 7,32 | 55601842 | 14,38 | 55602238 | 22 |
| 55601648 | 7,32 | 55601844 | 14,38 | 55602240 | 22 |
| 55601650 | 7,32 | 55601845 | 14,38 | 55602248 | 21 |
| 55601651 | 7,32 | 55601861 | 14 | 55602257 | 21 |

| Best.-Nr. | Tafel | Best.-Nr. | Tafel | Best.-Nr. | Tafel |
|-----------|-------|-----------|-------|-----------|-------|
| 55602259 | 22 | 55602652 | 23 | 55605041 | 20 |
| 55602260 | 22 | 55602654 | 23 | 55605042 | 20 |
| 55602261 | 18 | 55602656 | 23 | 55605044 | 20 |
| 55602262a | 18 | 55602658 | 23 | 55605046 | 20 |
| 55602262 | 18 | 55602660 | 23 | 55605051 | 20 |
| 55602263 | 18 | 55602661 | 23 | 55605055 | 20 |
| 55602264 | 18 | 55602662 | 23 | 55605056 | 20 |
| 55602267 | 18 | 55602665 | 23 | 55605071 | 20 |
| 55602268 | 18 | 55602666 | 23 | 55605073 | 20 |
| 55602269 | 18 | 55602670 | 23 | 55605074 | 20 |
| 55602270 | 18 | 55602692 | 26 | 55605075 | 20 |
| 55602301 | 22 | 55602698 | 26 | 55605305 | 46,48 |
| 55602302 | 22 | 55602700 | 26 | 55605307 | 46,48 |
| 55602303 | 22 | 55602705 | 26 | 55605312 | 46,48 |
| 55602304 | 22 | 55602706 | 26 | 55605313 | 48 |
| 55602307 | 22 | 55602708 | 26 | 55606391 | 46 |
| 55602308 | 22 | 55602709 | 26 | 55606926 | 7,46 |
| 55602310 | 22 | 55602741 | 24 | 55606927 | 7,46 |
| 55602311 | 22 | 55602742 | 24 | 55606928 | 7 |
| 55602312 | 22 | 55602754 | 24 | 55606929 | 7 |
| 55602315 | 22 | 55602842 | 25 | 55606941a | 46 |
| 55602316 | 22 | 55602843 | 25 | 55606984 | 27 |
| 55602319 | 22 | 55602850 | 25 | 55606987 | 42 |
| 55602321 | 22 | 55602851 | 25 | 55606988 | 42 |
| 55602331 | 22 | 55602852 | 25 | 55606989 | 42 |
| 55602332 | 22 | 55602853 | 25 | 55607004 | 27 |
| 55602336 | 22 | 55602854 | 25 | 55607243 | 36,50 |
| 55602361 | 22 | 55602856 | 25 | 55607251 | 36,50 |
| 55602362 | 22 | 55602858 | 25 | 55607252 | 50 |
| 55602363 | 22 | 55602860 | 25 | 55607292 | 26 |
| 55602366 | 22 | 55602861 | 25 | 55607341 | 19 |
| 55602381 | 42 | 55602862 | 25 | 55607342 | 19 |
| 55602382 | 42 | 55603081 | 10 | 55607345 | 19 |
| 55602383 | 42 | 55603082a | 10 | 55607348 | 19 |
| 55602384 | 42 | 55603086 | 9,10 | 55607351 | 19,35 |
| 55602461 | 25 | 55603087 | 9,10 | 55607353 | 19,35 |
| 55602496 | 23 | 55603087 | 10 | 55607354 | 19,35 |
| 55602543 | 23 | 55603088 | 9,10 | 55607358 | 19 |
| 55602564 | 24 | 55603090 | 10 | 55607362 | 19 |
| 55602565 | 24 | 55603101 | 10 | 55607366 | 19 |
| 55602566 | 24 | 55603105 | 10 | 55607371 | 19,35 |
| 55602572 | 24 | 55603106 | 10 | 55607372 | 19,35 |
| 55602573 | 24 | 55603107 | 10 | 55607374 | 19,35 |
| 55602581 | 24 | 55605001 | 20 | 55607375 | 19,35 |
| 55602582 | 24,46 | 55605002 | 20 | 55607403 | 19,35 |
| 55602585 | 24,46 | 55605003 | 20 | 55607407 | 19,35 |
| 55602588 | 24,46 | 55605004 | 20 | 55607415 | 19 |
| 55602591 | 24 | 55605006 | 20 | 55607423 | 19,35 |
| 55602598 | 24,46 | 55605011 | 20 | 55607426 | 19,35 |
| 55602599 | 24,46 | 55605013 | 20 | 55607996 | 7 |
| 55602632 | 23 | 55605016 | 20 | 55611048 | 27 |
| 55602633 | 23 | 55605023 | 20 | 55611050 | 27 |
| 55602634 | 23 | 55605024 | 20 | 55611051 | 27 |
| 55602635 | 23 | 55605025 | 20 | 55611058 | 27 |
| 55602646 | 24 | 55605031 | 20 | 55611059 | 27 |
| 55602647 | 24 | 55605036 | 20 | 55611251 | 28 |
| 55602651 | 23 | 55605040 | 20 | 55611254 | 28 |

| Best.-Nr. | Tafel | Best.-Nr. | Tafel | Best.-Nr. | Tafel |
|-----------|------------|-----------|------------|-----------|------------|
| 55611258 | 28 | 55613143 | 44 | 55615053 | 31 |
| 55612883 | 45 | 55613148 | 44 | 55615055 | 31 |
| 55612885 | 46 | 55613149 | 44 | 55615058 | 31 |
| 55612889 | 45, 53 | 55613153 | 44 | 55615061 | 31 |
| 55612893 | 46 | 55613154 | 44 | 55615062 | 31 |
| 55612896 | 46 | 55613161 | 44 | 55615063 | 31 |
| 55612898 | 46 | 55613163 | 44 | 55615066 | 31 |
| 55612900 | 46 | 55613166 | 44 | 55615071 | 31 |
| 55612902 | 46 | 55613167 | 44 | 55615073 | 31 |
| 55612903 | 46 | 55613175 | 44 | 55615075 | 31 |
| 55612906 | 46 | 55613177 | 44 | 55615076 | 31 |
| 55612907 | 46 | 55613183 | 43 | 55615078 | 31 |
| 55612917 | 43 | 55613251 | 46 | 55615079 | 31 |
| 55612918 | 43 | 55613252 | 46 | 55615089 | 32 |
| 55612927 | 43 | 55613255 | 46 | 55615091 | 32 |
| 55612931 | 43 | 55613256 | 46 | 55615094 | 32 |
| 55612934 | 43 | 55613257 | 46 | 55615099 | 32 |
| 55612938 | 43 | 55613514 | 32 | 55615102 | 32 |
| 55612945 | 43 | 55613528 | 47 | 55615112 | 29 |
| 55612949 | 43 | 55613532 | 33, 47, 49 | 55615115 | 32 |
| 55612954 | 43 | 55613536 | 33, 47, 49 | 55615118 | 32 |
| 55612961 | 43 | 55613537 | 47 | 55615119 | 32 |
| 55612965 | 43 | 55613542 | 33, 47, 49 | 55615124 | 32 |
| 55612971 | 43, 44 | 55614204 | 31 | 55615131 | 48 |
| 55612974 | 43 | 55614969 | 34 | 55615132 | 48 |
| 55612981 | 43 | 55614971 | 29 | 55615133 | 48 |
| 55612997 | 45 | 55614975 | 29 | 55615134 | 48 |
| 55613003 | 44 | 55614978 | 29 | 55615137 | 48 |
| 55613004 | 44 | 55614981 | 31 | 55615140 | 48 |
| 55613014 | 44 | 55614984 | 3, 31, 37 | 55615142 | 33, 47, 49 |
| 55613019 | 44 | 55614986a | 37 | 55615143 | 33, 47, 49 |
| 55613020 | 30, 41, 44 | 55614987 | 37 | 55615144 | 33, 47, 49 |
| 55613023 | 44 | 55614988 | 37 | 55615145 | 33, 47, 49 |
| 55613028 | 44 | 55614990 | 37 | 55615146 | 33, 49 |
| 55613032 | 44 | 55614991 | 37 | 55615149 | 32 |
| 55613033 | 44 | 55614997 | 37 | 55615157 | 32 |
| 55613036 | 44 | 55614999 | 3, 31 | 55615158 | 32 |
| 55613041 | 44 | 55615000 | 34 | 55615162 | 32 |
| 55613042 | 44 | 55615002 | 37 | 55615167 | 32 |
| 55613045 | 44 | 55615007 | 37 | 55615171 | 32 |
| 55613048 | 44 | 55615008 | 37 | 55615174 | 31 |
| 55613050 | 44 | 55615009 | 37 | 55615181 | 35 |
| 55613055 | 44 | 55615010 | 37 | 55615182 | 35 |
| 55613063 | 44 | 55615012 | 37 | 55615183 | 35 |
| 55613072 | 44 | 55615013 | 30 | 55615185 | 35 |
| 55613084 | 44 | 55615015 | 29 | 55615191 | 35 |
| 55613088 | 44 | 55615017 | 30 | 55615196 | 35 |
| 55613091 | 44 | 55615021a | 30 | 55615198 | 35 |
| 55613102 | 44 | 55615023 | 30 | 55615215 | 20 |
| 55613105 | 44 | 55615025 | 30 | 55615254 | 53 |
| 55613108 | 35, 44 | 55615026 | 30 | 55615255 | 13 |
| 55613111 | 44 | 55615031a | 30 | 55615256 | 13 |
| 55613132 | 44 | 55615031 | 30 | 55615256 | 53 |
| 55613136 | 44 | 55615035 | 30 | 55615258 | 14, 38 |
| 55613137 | 44 | 55615037 | 30 | 55615264 | 38, 52 |
| 55613139 | 44 | 55615044 | 30 | 55615267 | 38, 52 |
| 55613142 | 44 | 55615051 | 36 | 55615268 | 38, 52 |

| Best.-Nr. | Tafel | Best.-Nr. | Tafel | Best.-Nr. | Tafel |
|-----------|------------|-----------|-------------|-----------|------------------------------|
| 55615269 | 38, 52 | 55615822 | 33, 47, 49 | 55700029a | 8, 37 |
| 55615274 | 38, 52 | 55615823 | 33, 47, 49, | 55700137 | 13, 53 |
| 55615275 | 38, 52 | 55615833 | 47, 49 | 55700263 | 5, 12, 17, 22, 23, 32, 39, |
| 55615287 | 38, 52 | 55615834 | 33, 49 | | 40, 43, 44 |
| 55615288 | 38, 52 | 55615839 | 33, 47, 49 | 55700591 | 19, 35, 36 |
| 55615294 | 39 | 55615841 | 33, 49 | 55700945 | 39 |
| 55615298 | 39, 40 | 55615843 | 33, 47, 49 | 55702301 | 3, 5, 31 |
| 55615299 | 39, 40 | 55615848 | 33, 47, 49 | 55800090 | 25 |
| 55615301 | 39, 40 | 55615855 | 49 | 55800156K | 4, 9, 34 |
| 55615303 | 39, 40 | 55615858 | 33, 49 | 55800693 | 40 |
| 55615304 | 39, 40 | 55615859 | 33, 49 | 55801248 | 51 |
| 55615308 | 39 | 55615860 | 33, 49 | 55801304 | 26 |
| 55615321 | 39 | 55615862 | 47, 49 | 56001747 | 2 |
| 55615325 | 39 | 55615863 | 47, 49 | 56500874 | 5 |
| 55615326 | 39 | 55615864 | 49 | 56601294 | 11, 36, 50 |
| 55615343 | 41 | 55615866 | 49 | 56601382 | 23 |
| 55615391a | 33 | 55615901 | 51 | 56901873 | 12 |
| 55615402a | 33 | 55615903 | 51 | 56901895 | 2, 4, 5, 8, 23, 24, 26, 32 |
| 55615405a | 33 | 55615918 | 51 | | 33, 34, 36, 37, 40, 41, 46 |
| 55615406a | 33 | 55615921 | 50 | | 47, 49, 50 |
| 55615407a | 33 | 55615933 | 50 | 56903278 | 31, 50 |
| 55615408 | 33 | 55615942 | 50 | 56905079 | 4 |
| 55615409 | 33 | 55615961 | 51 | 56905097 | 34 |
| 55615410 | 33 | 55615962 | 51 | 56906884 | 51 |
| 55615421 | 33, 47, 49 | 55615971 | 51 | 57000044 | 2 |
| 55615422 | 23 | 55615974 | 51 | 57000109 | 3 |
| 55615513 | 33 | 55616052 | 20 | 57000117 | 10, 17, 39 |
| 55615518 | 33 | 55616055a | 20 | 57000138 | 2, 8, 12, 13, 32, 37, 43, 44 |
| 55615532 | 35 | 55616056a | 48 | 57000243 | 8, 37 |
| 55615533 | 50 | 55616059 | 48 | 57000252 | 8, 37 |
| 55615535 | 35 | 55616063 | 47 | 57000258 | 1, 29 |
| 55615538 | 48 | 55616064 | 47 | 57000300 | 2 |
| 55615541 | 50 | 55616067 | 47 | 57000495 | 1, 29 |
| 55615549 | 50 | 55616192 | 12 | 57000497 | 1, 5, 29 |
| 55615561 | 50 | 55616193 | 36 | 57000522 | 25a |
| 55615575 | 50 | 55616201 | 36 | 57000526 | 12 |
| 55615578 | 50 | 55616206 | 36 | 57000533 | 12 |
| 55615585 | 50 | 55616208 | 36 | 57000542 | 12 |
| 55615591 | 50 | 55616215 | 36 | 57000545 | 12 |
| 55615597 | 51 | 55616216 | 36 | 57000546 | 12 |
| 55615598 | 51 | 55616219 | 12 | 57000549 | 12 |
| 55615600 | 51 | 55616222 | 36 | 57000556 | 12 |
| 55615603a | 51 | 55616235 | 36 | 57000557 | 12 |
| 55615603 | 51 | 55616261 | 36 | 57000572 | 12 |
| 55615609 | 53 | 55616272 | 41 | 57000578 | 12 |
| 55615615 | 53 | 55616298 | 48 | 57000582 | 12 |
| 55615616 | 53 | 55616299 | 6 | 57000588 | 12 |
| 55615620 | 53 | 55616483 | 40 | 57000590 | 12 |
| 55615683 | 37 | 55616504 | 40 | 57000592 | 12 |
| 55615685 | 37 | 55616511 | 40 | 57000606 | 12 |
| 55615687 | 37 | 55616517 | 40 | 57000664 | 2, 30 |
| 55615791 | 49 | 55616520 | 40 | 57000698 | 8, 8, 37 |
| 55615810 | 47, 49 | 55616528 | 40 | 57000877 | 40 |
| 55615811 | 47, 49 | 55616535 | 40 | 57000912 | 3, 31, 32, 33, 39, 47, 49 |
| 55615812 | 47, 49 | 55616571 | 18 | 57000934 | 47 |
| 55615815 | 47 | 55616581 | 41 | 57000975 | 19, 24, 35 |
| 55615821 | 33, 47, 49 | 55699874 | 34 | 57000978 | 26 |

| Best.-Nr. | Tafel | Best.-Nr. | Tafel | Best.-Nr. | Tafel |
|-----------|---------------|-----------|-----------------------|-----------|----------------|
| 57001099 | 31 | 57001493 | 15 | 74401793a | 26,41 |
| 57001116 | 43 | 57001594 | 28,31 | 74401798 | 26 |
| 57001174 | 3,14,31,38,52 | 57001699 | 21 | 74401802 | 41 |
| 57001177 | 14,38,52 | 57001702 | 46 | 74401802a | 41 |
| 57001182 | 14,38,52 | 57001836 | 26,41 | 74401802b | 41 |
| 57001184 | 14,38,52 | 57010007 | 3,31 | 74401804 | 41 |
| 57001190 | 14,38,52 | 57010047 | 1,39 | 74401804a | 41 |
| 57001192 | 14,38,52 | 57010075 | 7,32 | 74401804b | 41 |
| 57001197 | 13 | 57010725 | 3,31 | 74401819 | 41,52 |
| 57001199a | 13,53 | 57017026 | 22 | 74401820 | 41,52 |
| 57001217 | 11 | 57092916 | 33,47,49 | 74402013 | 12 |
| 57001218 | 11 | 65000072 | 5,43 | 74402042 | 51 |
| 57001220 | 11,40 | 65000292 | 8,37,43 | 74402094 | 26,41 |
| 57001224 | 11 | 65000347 | 3 | 74402168 | 26,41 |
| 57001228 | 11 | 70000444 | 13,53 | 74402380 | 4,34 |
| 57001333 | 15 | 70200020 | 3,5,8,10,22,31,32,37 | 74402526 | 41 |
| 57001334 | 15 | 70200229 | 1,12,15,32,43 | 74402528 | 26 |
| 57001336a | 17,39 | 71001450 | 11 | 74403142 | 10 |
| 57001341 | 15 | 71100444 | 22 | 74403570 | 41 |
| 57001342 | 15 | 71600645a | 25a | 74409056 | 21 |
| 57001346 | 16 | 71800155 | 36 | 74409513 | 26,41 |
| 57001347 | 16 | 71800156 | 36 | 74410024 | 30 |
| 57001348 | 16 | 71801571 | 36 | 74420566 | 34 |
| 57001349 | 16 | 71900127 | 14,38 | 74420610 | 39,40 |
| 57001350 | 16 | 71900280 | 13,53 | 74421922 | 40 |
| 57001352 | 16 | 72000042a | 17,25a,26,39,40,41,43 | 74423557 | 52 |
| 57001353 | 16 | 72000043 | 5,10,12,17,26,41,43 | 74423566 | 26,31,38,39,41 |
| 57001357 | 16 | 72100053 | 26,41 | 74423864 | 51 |
| 57001359 | 15 | 72100071 | 26,41 | 74423868 | 51 |
| 57001360 | 15 | 72201138 | 40 | 74423869 | 51 |
| 57001362 | 15 | 72201139 | 26,41 | 74427578 | 41 |
| 57001363 | 15 | 72300013 | 1,29 | 74428708 | 52 |
| 57001364 | 16 | 73900188 | 25a | 74450241 | 32 |
| 57001366 | 15 | 73900255 | 1,7,26,29,41,44,51 | 74600768 | 36,40,41 |
| 57001367 | 15 | 73900297 | 30 | 74600893a | 40 |
| 57001368 | 15 | 73900298 | 51 | 74601315 | 31 |
| 57001368 | 31 | 73900317a | 51 | 74601495 | 1,29 |
| 57001371 | 15 | 73900347 | 9,10 | 74603213 | 50 |
| 57001372 | 15 | 73900404 | 2,30 | 74605018 | 51 |
| 57001381 | 15 | 73900419 | 25a | 74640139 | 8,37 |
| 57001386 | 15 | 73900710 | 50 | 79700108 | 2,41 |
| 57001387 | 15 | 73904895 | 36 | 79700209 | 41 |
| 57001388 | 15 | 73905105 | 44 | 79700312 | 52 |
| 57001391 | 15 | 73905347 | 24 | 79700406 | 31,38 |
| 57001392 | 15 | 73905374 | 46 | 79700612 | 26,26 |
| 57001394 | 15 | 74100893 | 40 | 79701028 | 51 |
| 57001398 | 16 | 74200848 | 51 | 79702015 | 41 |
| 57001399 | 16 | 74202096 | 26,41 | 79702016 | 51 |
| 57001400 | 16 | 74202163 | 7,32 | 79702201 | 41 |
| 57001401 | 16 | 74202238 | 38,41 | 79702214 | 41 |
| 57001404 | 16 | 74202244 | 26,36,40,41 | 79702605 | 52 |
| 57001406 | 15 | 74202273 | 30,41,52 | 79702626 | 41 |
| 57001409 | 14 | 74205726 | 22 | 79702627 | 41 |
| 57001410 | 14 | 74401017 | 40 | 79703191 | 52 |
| 57001456 | 17 | 74401115 | 9,10 | 79800796 | 40 |
| 57001459 | 17 | 74401236 | 5 | 79801606 | 51 |
| 57001481 | 13,53 | 74401749 | 36 | 798120401 | 25a |

| Best.-Nr. | Tafel |
|-----------|-----------------------|
| 798424203 | 50 |
| 798424202 | 50 |
| 798480869 | 51 |
| 798500085 | 25a |
| 90200097 | 4,11,19,23,34,44 |
| 90200140 | 3,31,44 |
| 90200159 | 5 |
| 90200190 | 3 |
| 90200300 | 35,36 |
| 90200322 | 4,34 |
| 90200380 | 41 |
| 90200423 | 24,46 |
| 90200429 | 3,31 |
| 90200437 | 27 |
| 90200446 | 14,29,38,52 |
| 90200514 | 12,32,43 |
| 90200602 | 3,7,31,32,51 |
| 90200707 | 49 |
| 90201197 | 13,53 |
| 91100040 | 9 |
| 91100136 | 5,12 |
| 91100290 | 3,31 |
| 91100339 | 24 |
| 91100376 | 12 |
| 91100445 | 10 |
| 91100457 | 10 |
| 91100668 | 25 |
| 91100674 | 21 |
| 91100693K | 21 |
| 91200701 | 21 |
| 91300672 | 21 |
| 93002119 | 3,9,10,11,14,17,38,39 |
| 93019205 | 5 |
| 93019210 | 4,34 |
| 93102131 | 11 |
| 93102492 | 23 |
| 93300243 | 50 |
| 93300587 | 12,22 |
| 93306274 | 3,31,37 |
| 93311399 | 40 |
| 93311424 | 51 |
| 93311520 | 37 |
| 93320030 | 27,44 |
| 93320031 | 27,44 |
| 93321861 | 44 |
| 93363982 | 36 |
| 93374261 | 26,41 |
| 93396247 | 8 |
| 94204586 | 5 |
| 94210114 | 40 |
| 94210318 | 26,41,43,44,50 |
| 96500054 | 1,29 |



Einrichtungen
556 - 11 01

Blatt 1



Doppelsteppstich - Knopflochautomat mit Ober- u. Untertransport zum Nähen von Knopflöchern mit zwei geraden Riegeln

Steuerscheibe für Längsvorschub 5565312

Steuerscheibe für Überstich 556 659

max. Nählänge bis 60mm } je nach
max. Schnittlänge bis 2" } Einrichtung

| E-Nr. | Stichplatte, vollst. | | Stoffdrückerkorb | | max. Nählänge mm | Nadel- | | Riegel I | | Riegel II | | Wechselräder | | | Messer | | | Bemerkungen | E-Nr. | |
|-------|----------------------|-----------|----------------------|----------|------------------|-----------|----------|----------|--------------|-------------------------|--------------|-------------------------|--|----------------------------------|-------------------------------|--|--|--|--|-----|
| | Stichlochgröße mm | Teile-Nr. | max. Riegelbreite mm | Größe mm | | Teile-Nr. | System | Dicke Nm | Riegel-länge | Riegel-nocken Teile-Nr. | Riegel-länge | Riegel-nocken Teile-Nr. | Teile-Nr. | Zähnezahl | pro Knopfloch | Teile-Nr. | Zoll | | | mm |
| | | | | | | | | | | | * | | | | | | | | | |
| E21 | 5,6x1,5 | 556 6941 | 4 | 5,6x28 | 556 6391 | 22 | 556KHses | 80 | normal | 556 661 | normal | 556 662 | 556 773 556 794 556 774 556 793 556 776 556 791 | 29 50 30 49 32 47 | 114/339 120/321 134/289 | 055 613 055 614 055 601 055 615 055 602 055 604 | 1/4 " 5/16 " 3/8 " 7/16 " 1/2 " 9/16 " | 6,35 7,94 9,53 11,11 12,70 14,29 | Stoffdrückerkorb und Transportschieber mit kleiner Auflagefläche. Insbesondere geeignet zum Nähen von Knopflöchern in Blusen- u. Hemdkragen. | E21 |
| E22 | 5,6x1,5 | " | " | 5,6x41 | 556 6393 | 35 | " | 90 | " | " | " | " | 556 776 556 791 556 778 556 789 556 780 556 787 | 32 47 34 45 36 43 | 134/289 149/261 165/235 | 055 603 055 605 055 606 055 611 055 612 055 607 | 5/8 " 11/16 " 3/4 " 13/16 " 15/16 " 1 " | 15,88 17,46 19,05 20,64 23,81 25,40 | Stoffdrückerkorb und Transportschieber mit kleiner Auflagefläche. | E22 |
| E23 | 6,5x1,5 | 556 6945 | 5 | 6,5x28 | 556 6395 | 22 | " | " | " | " | " | " | 556 773 556 794 556 774 556 793 556 776 556 791 | 29 50 30 49 32 47 | 114/339 120/321 134/289 | 055 613 055 614 055 601 055 615 055 602 055 604 | 1/4 " 5/16 " 3/8 " 7/16 " 1/2 " 9/16 " | 6,35 7,94 9,53 11,11 12,70 14,29 | Stoffdrückerkorb und Transportschieber mit kleiner Auflagefläche. Insbesondere geeignet zum Nähen von Knopflöchern in Blusen- u. Hemdkragen. | E23 |
| E24 | 6,5x1,5 | " | " | 6,5x41 | 556 6397 | 35 | " | " | " | " | " | " | 556 776 556 791 556 778 556 789 556 780 556 787 | 32 47 34 45 36 43 | 134/289 149/261 165/235 | 055 603 055 605 055 606 055 611 055 612 055 607 | 5/8 " 11/16 " 3/4 " 13/16 " 15/16 " 1 " | 15,88 17,46 19,05 20,64 23,81 25,40 | Stoffdrückerkorb und Transportschieber mit kleiner Auflagefläche. | E24 |

*) Bei Bestellung einer E-Nr. werden alle mit *) gekennzeichneten Teile nicht geliefert

Datum Name

Fortsetzung
Blatt 2



Einrichtungen
556 - 11 01

Blatt 2



Doppelsteppstich - Knopflochautomat mit Ober- u. Untertransport zum Nähen von Knopflöchern mit zwei geraden Riegeln

Steuerscheibe für Längsvorschub 556 5312

Steuerscheibe für Überstich 556 659

max. Nählänge bis 60mm
max. Schnittlänge bis 2" } je nach Einrichtung

| E-Nr. | Stichplatte, vollst. | | max. Riegelbreite mm | Stoffdrückerkorb | | max. Nählänge mm | Nadel | | Riegel I | | Riegel II | | Wechselräder | | Stichzahl | | | Messer | | | Bemerkungen | E-Nr. |
|-------|----------------------|-----------|----------------------|------------------|----------------------|------------------|----------|----------|--------------|-------------------------|--------------|-------------------------|--|--|--|--|--|---|---|-----|-------------|-------|
| | Stichlochgröße mm | Teile-Nr. | | Größe mm | Teile-Nr. | | System | Dicke Nm | Riegel-länge | Riegel-nocken Teile-Nr. | Riegel-länge | Riegel-nocken Teile-Nr. | Teile-Nr. | Zähnezahl | pro Knopfloch | Teile-Nr. | Zoll | mm | | | | |
| E27 | 6,5x1,5 | 556 11042 | 5 | 6,5x28 | 556 6301 | 22 | 556KHses | 90 | normal | 556 661 | normal | 556 662 | 556 778 556 789 556 774 556 793 556 776 556 791 | 34 45 30 49 32 47 | } 149/261 } 120/321 } 134/289 | 055 602 055 601 055 604 055 613 055 614 055 615 | 1/2" 3/8" 9/16" 1/4" 5/16" 7/16" | 12,70 9,53 14,29 6,35 7,94 11,11 | Mit Bandführung für 6mm Bandbreite zum Nähen von Knopflöchern in Wirk- u. Strickwaren sowie anderen dehnbaren Materialien. Zu dieser E-Nr. gehören außerdem folgende Teile: Bandrolle 55611058 Umlenköse 55611058 u. Leitwinkel 556 11059. | E27 | | |
| E28 | 6,5x1,5 | 556 11042 | 5 | 6,5x41 | 556 6306 | 35 | 556KHses | 90 | normal | 556 661 | normal | 556 662 | 556 778 556 789 556 776 556 791 556 780 556 787 | 34 45 32 47 36 43 | } 149/261 } 134/289 } 165/235 | 055 603 055 605 055 606 055 607 055 611 055 612 | 5/8" 1/16" 3/4" 1" 13/16" 15/16" | 15,88 17,46 19,05 25,40 20,64 23,81 | " | E28 | | |
| E36 | 6,5x1,5 | 556 11042 | 5 | 6,5x41 6,5x28 | 556 6397 556 6395 | 35 22 | 556KHses | 90 | normal | 556 661 | normal | 556 662 | 556 778 556 789 556 776 556 791 556 780 556 787 556 774 556 793 | 34 45 32 47 36 43 30 49 | } 149 / 261 } 134 / 289 } 165 / 235 } 120 / 321 | 055 613 055 614 055 601 055 615 055 602 055 604 055 605 055 606 055 607 055 611 055 612 055 607 | 1/4" 5/16" 3/8" 7/16" 1/2" 9/16" 5/8" 1/16" 3/4" 13/16" 15/16" 1" | 6,35 7,94 9,53 11,11 12,70 14,29 15,88 17,46 19,05 20,64 23,81 25,40 | Einrichtungskombination zum Nähen von Knopflöchern in leichter bis mittel-schwerer Maschenware in der DOB. Für Knopflöcher bis 22mm Nählänge und bis 35mm Nählänge mit oder ohne Band. Bandbreite 6mm. Nach Auswechseln des Längenschiebers auch zum Nähen von Knopflöchern in Webware und in Maschenware mit Einlage. Zu dieser E-Nr. gehören außerdem Bandrollenhalter 556 11061 Umlenköse 556 11058 Leitwinkel 55611059 und Längenschieber 556 6947. Bei dieser E-Nr. empfehlen wir die Verwendung des auf Wunsch lieferbaren pneumatischen Niederhalters. | E36 | | |
| E38 | 6,5x1,5 | 556 6945 | 5 | 6,5x54 | 556 11075 | 48 | 556KHses | 90 | normal | 556 661 | normal | 556 662 | 556 779 556 788 556 780 556 787 556 781 556 786 | 35 44 36 43 37 42 | } 157/247 } 165/235 } 173/223 | 055 607 055 608 055 616 055 617 055 618 055 619 | 1" 11/16" 11/8" 13/16" 15/16" | 25,40 31,75 26,99 28,58 30,16 33,34 | Für Knopflöcher in Hemden, Schlafanzügen, Bettwäsche, Hosenschlitzleisten uä. Stoffdrückerkorb und Transportschieber mit kleiner Auflagefläche. | E38 | | |
| E39 | 6,5x1,5 | 556 6945 | 5 | 6,5x66 | 556 11078 | 60 | 556KHses | 90 | normal | 556 661 | normal | 556 662 | 556 775 556 792 556 770 556 797 556 779 556 788 | 31 48 26 53 35 44 | } 305/127 } 401/97 } 247/157 | 055 609 055 620 055 621 055 7122 055 7123 055 7125 | 11/2" 13/8" 17/16" 19/16" 15/8" 13/4" | 38,10 34,93 36,51 39,69 41,28 44,45 | " | E39 | | |

*) Bei Bestellung einer E-Nr. werden alle mit *) gekennzeichneten Teile nicht geliefert

Datum

Name

Fortsetzung
Blatt 3



Einrichtungen
556 - 1101

Blatt 3



Doppelsteppstich - Knopflochautomat mit Ober- u. Untertransport zum Nähen von Knopflöchern mit zwei geraden Riegeln

Steuerscheibe für Längsvorschub 5565312

Steuerscheibe für Überstich 556 659

max. Nählänge bis 60 mm } je nach
max. Schnittlänge bis 2" } Einrichtung

| E-Nr. | Stichplatte, vollst. | | max. Riegelbreite mm | Stoffdrückerkorb | | max. Nählänge mm | Nadel- | | Riegel I | | Riegel II | | Wechselräder | Stichzahl pro Knopfloch | Messer | | | Bemerkungen | E-Nr. | |
|-------|----------------------|-----------|----------------------|------------------|-----------|------------------|----------|----------|--------------|-------------------------|--------------|-------------------------|---|----------------------------------|-------------------------------|--|--|--|---|------|
| | Stichlochgröße mm | Teile-Nr. | | Größe mm | Teile-Nr. | | System | Dicke Nm | Riegel-länge | Riegel-nocken Teile-Nr. | Riegel-länge | Riegel-nocken Teile-Nr. | | | Teile-Nr. | Zähnezahl | Teile-Nr. | | | Zoll |
| E40 | 5,6 x 1,5 | 556 6981 | 4 | 5,6 x 28 | 556 6391 | 22 | 556KHses | 80 | normal | 556 661 | normal | 556 662 | 2 Stck. Schneidplatten Nr. 556 773 556 794 556 774 556 793 556 776 556 791 | 29 50 30 49 32 47 | 114/339 120/321 134/289 | 556 7141 556 7142 556 7143 556 7144 556 7145 556 7146 | 1/4" 5/16" 3/8" 7/16" 1/2" 9/16" | 6,35 7,94 9,53 11,11 12,70 14,29 | Wie E 21, jedoch mit Kunststoffschneidplatte in der Stichplatte und Messern mit rechtwinkliger Schneide. Für Knopflöcher in solchen leichten synthetischen Stoffen, bei denen mit der normalen Schneideinrichtung kein einwandfreies Aufschneiden der Knopflöcher möglich ist, d.h., es werden z.B. Querfäden gezogen | E40 |
| E41 | 5,6 x 1,5 | 556 6981 | 4 | 5,6 x 41 | 556 6393 | 35 | 556KHses | 90 | normal | 556 661 | normal | 556 662 | 2 Stck. Schneidplatten Nr. 556 776 556 791 556 778 556 789 556 780 556 787 | 32 47 34 45 36 43 | 134/289 149/261 165/235 | 556 7147 556 7148 556 7149 556 7150 556 7152 556 7153 | 5/8" 11/16" 3/4" 13/16" 15/16" 1" | 15,88 17,46 19,05 20,64 23,87 25,40 | Wie E 22, jedoch mit Kunststoffschneidplatte in der Stichplatte und Messern mit rechtwinkliger Schneide. Für Knopflöcher in solchen leichten synthetischen Stoffen, bei denen mit der normalen Schneideinrichtung kein einwandfreies Aufschneiden der Knopflöcher möglich ist, d.h., es werden z.B. Querfäden gezogen | E41 |
| E42 | 5,6 x 1,5 | 556 6981 | 4 | 5,6 x 54 | 556 11114 | 48 | 556KHses | 90 | normal | 556 661 | normal | 556 662 | 2 Stck. Schneidplatten Nr. 556 779 556 788 556 780 556 787 556 781 556 786 | 35 44 36 43 37 42 | 157/247 165/235 173/223 | 556 7153 556 7157 556 7154 556 7155 556 7156 556 7158 | 1" 1 1/4" 1 1/8" 1 1/8" 13/16" 15/16" | 25,40 31,75 26,99 28,58 30,16 33,34 | Wie E40 und E41 mit Kunststoffschneidplatte, jedoch für Schnittlängen bis 15/16" = 33,34 mm | E42 |
| E44 | 5,6 x 1,5 | 556 6941 | 4 | 5,6 x 54 | 556 11114 | 48 | 556KHses | 90 | normal | 556 661 | normal | 556 662 | 556 779 556 788 556 780 556 787 556 781 556 786 | 35 44 36 43 37 42 | 157/247 165/235 173/223 | 055 607 055 608 055 616 055 617 055 618 055 619 | 1" 1 1/4" 1 1/8" 1 1/8" 13/16" 15/16" | 25,40 31,75 26,99 28,58 30,16 33,34 | Stoffdrückerkorb und Transport-schieber mit kleiner Auflagefläche wie E21 und E22, jedoch für Schnittlängen bis 15/16" = 33,34 mm | E44 |
| E51 | 6,5 x 1,5 | 556 7001 | 5 | 6,5 x 28 | 556 6395 | 22 | 556KHses | 90 | normal | 556 661 | normal | 556 662 | 556 773 556 794 556 774 556 793 556 776 556 791 | 29 50 30 49 32 47 | 114/339 120/321 134/289 | 556 7141 556 7142 556 7143 556 7144 556 7145 556 7146 | 1/4" 5/16" 3/8" 7/16" 1/2" 9/16" | 6,35 7,94 9,53 11,11 12,70 14,29 | Wie E 23, jedoch mit Kunststoffschneidplatte in der Stichplatte und Messern mit rechtwinkliger Schneide. Für Knopflöcher in solchen leichten synthetischen Stoffen, bei denen mit der normalen Schneideinrichtung kein einwandfreies Aufschneiden der Knopflöcher möglich ist, d.h., es werden z.B. Querfäden gezogen | E51 |
| E52 | 6,5 x 1,5 | 556 7001 | 5 | 6,5 x 41 | 556 6397 | 35 | 556KHses | 90 | normal | 556 661 | normal | 556 662 | 2 Stck. Schneidplatten Nr. 556 776 556 791 556 778 556 789 556 780 556 787 | 32 47 34 45 36 43 | 134/289 149/261 165/235 | 556 7147 556 7148 556 7149 556 7150 556 7152 556 7153 | 5/8" 11/16" 3/4" 13/16" 15/16" 1" | 15,88 17,46 19,05 20,64 23,87 25,40 | Wie E 24, jedoch mit Kunststoffschneidplatte in der Stichplatte und Messern mit rechtwinkliger Schneide. Für Knopflöcher in solchen leichten synthetischen Stoffen, bei denen mit der normalen Schneideinrichtung kein einwandfreies Aufschneiden der Knopflöcher möglich ist, d.h., es werden z.B. Querfäden gezogen | E52 |

1) enthält Messer-Einstell-Lehre 556 6987

*) Bei Bestellung einer E-Nr. werden alle mit *) gekennzeichneten Teile nicht geliefert

Datum

Name
Leh.

Fortsetzung
Blatt 3a



Einrichtungen
556 - 1101

Blatt 3a



Doppelstepstich-Knopflochautomat mit Ober- u. Untertransport zum Nähen von Knopflöchern mit zwei geraden Riegeln

Steuerscheibe für Längsvorschub 556 5312

Steuerscheibe für Überstich 556 659

max. Nählänge bis 60 mm } je nach
max. Schnittlänge bis 2" } Einrichtung

| E-Nr. | Stichplatte, vollst. | | max. Riegelbreite mm | Stoffdrückerkorb | | max. Nählänge mm | Nadel- | | Riegel I | | Riegel II | | Schneidplatten 2 * | Wechselräder Teile-Nr. | Zähnezahl | Stichzahl pro Knopfloch | Messer | | | Bemerkungen | E-Nr. |
|-----------|----------------------|-----------|----------------------|------------------|-----------|------------------|---------|----------|--------------|-------------------------|--------------|-------------------------|-----------------------|---------------------------|----------------------------------|-------------------------------|-----------|-------|-------|--|-------|
| | Stichlochgröße mm | Teile-Nr. | | Größe mm | Teile-Nr. | | System | Dicke Nm | Riegel-länge | Riegel-nocken Teile-Nr. | Riegel-länge | Riegel-nocken Teile-Nr. | | | | | Teile-Nr. | Zoll | mm | | |
| E53 1) | 6,5 x 1,5 | 556 7001 | 5 | 6,5 x 54 | 556 11075 | 48 | 265 SES | 90 | normal | 556 661 | normal | 556 662 | 556 7004 | | 35 44 36 43 37 42 | 157/247 165/235 173/223 | 556 7153 | 1" | 25,40 | Wie E38, jedoch mit Kunststoffschnaidplatte in der Stichplatte und Messern mit rechtwinkliger Schneide. Für Knopflöcher in solchen leichten synthetischen Stoffen, bei denen mit der normalen Schneideinrichtung kein einwandfreies Aufschnneiden der Knopflöcher möglich ist, d.h., es werden z. B. Querfäden gezogen 1) | E53 |
| | | | | | | | | | | | | 556 7154 | | | | | 1 1/16" | 26,99 | | | |
| | | | | | | | | | | | | 556 7155 | | | | | 1 1/8" | 28,58 | | | |
| | | | | | | | | | | | | 556 7156 | | | | | 1 3/16" | 30,16 | | | |
| | | | | | | | | | | | | 556 7157 | | | | | 1 1/4" | 31,75 | | | |
| | | | | | | | | | | | | 556 7158 | | | | | 1 5/16" | 33,34 | | | |
| E60 | 5,6 x 1,5 | 556 6941 | 4 | 5,6 x 28 | 556 6391 | 22 | 265 SES | 80 | normal | 556 661 | normal | 556 662 | | | 25 54 28 51 30 49 | 91/425 108/358 120/321 | 055 613 | 1/4" | 6,35 | Wie E21, jedoch mit weniger Stichen pro Knopfloch. | E60 |
| | | | | | | | | | | | | 055 614 | | | | | 5/16" | 7,94 | | | |
| | | | | | | | | | | | | 055 601 | | | | | 3/8" | 9,53 | | | |
| | | | | | | | | | | | | 055 615 | | | | | 7/16" | 11,11 | | | |
| | | | | | | | | | | | | 055 602 | | | | | 1/2" | 12,70 | | | |
| | | | | | | | | | | | | 055 604 | | | | | 9/16" | 14,29 | | | |

1) enthält Messer-Einstell-Lehre 556 6987

*) Bei Bestellung einer E-Nr. werden alle mit *) gekennzeichneten Teile nicht geliefert

Datum

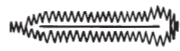
Name
Lsh.

Fortsetzung
Blatt 4



Einrichtungen
556-1106

Blatt 4



Doppelsteppstich-Knopflochautomat mit Ober- und Untertransport zum Nähen von Knopflöchern mit Auge und Keilriegel

Kurvenscheibe für Längsvorschub siehe E-Nr.

Steuerscheibe für Überstich 556 11254

max. Nählänge bis 48 mm } je nach
max. Schittlänge bis 1 5/8" } Einrichtung

| E-Nr. | Stichplatte, vollst. | | max. Nahtbildbreite mm | Stoffdrückerkorb | | max. Nahtbildlänge mm | Nadel- | | Riegel I | | Riegel II | |
|-------|----------------------|-----------|------------------------|------------------|-----------|-----------------------|-----------|----------|--------------|-------------------------|--------------|-------------------------|
| | Stichlochgröße mm | Teile-Nr. | | Größe mm | Teile-Nr. | | System | Dicke Nm | Riegel-länge | Riegel-nocken Teile-Nr. | Riegel-länge | Riegel-nocken Teile-Nr. |
| E 47 | 8,5 x 2,0 | 556 11264 | 7 | 8,5 x 54 | 556 6344 | 48 | 556 KHses | 110 | | | | |
| E 48 | 8,5 x 2,0 | 556 11264 | 7 | 8,5 x 41 | 556 6341 | 35 | 556 KHses | 110 | | | | |

| Kurvenscheibe | Wechselräder | | Stichzahl pro Knopfloch | Messer | | | Bemerkungen | E-Nr. |
|---------------|--|----------------------------------|----------------------------------|---|--|--|---|-------|
| | Längsvorschub Teile-Nr. | Zähnezahl | | Teile-Nr. | Zoll | mm | | |
| 556 11258 | 556 779 556 788 556 781 556 786 556 783 556 784 | 35 44 37 42 39 40 | }157/247 }173/223 }192/202 | 055 607 055 617 055 608 055 620 055 609 055 7123 | 1" " 1 1/8" " 1 1/4" " 1 3/8" " 1 1/2" " 1 5/8" " | 25,40 28,58 31,75 34,93 38,10 41,28 | Für Knopflöcher in Berufs-Sport- und Freizeitkleidung in der HAKA und DOB | E 47 |
| 556 11251 | 556 776 556 791 556 778 556 789 556 781 556 786 | 32 47 34 45 37 42 | }134/289 }149/261 }173/223 | 055 606 055 611 055 610 055 612 055 607 055 616 | 3/4" " 13/16" " 7/8" " 15/16" " 1" " 1 1/16" " | 19,05 20,64 22,20 23,81 25,40 26,99 | " | E 48 |

Datum

Name

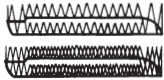
[Handwritten signature]

Fortsetzung
Blatt 5



Einrichtungen
556 - 5101
556 - 5121

Blatt 5



Doppelstepstich-Knopflochautomat mit Ober- und Untertransport für Knopflöcher mit zwei geraden Riegeln. - 5101 = „Umgekehrtes Nähen“ für Knopflöcher in Wäsche. - 5121 = „Umgekehrtes Nähen“ für Knopflöcher in Wirk- und Strickware, umschaltbar für ein- oder zweimaliges Umnähen.

Steuerscheibe für Längsvorschub 556 15131

Steuerscheibe für Überstich 556 15134

max. Nählänge 35 mm } je nach
max. Schnittlänge 25,4 } E-Einrichtung

| E-Nr. | Stichplatte, vollst. | | max. Riegelbreite mm | Stoffdrückerkorb | | max. Nählänge mm | Nadel | | Riegel I | | Riegel II | | Endstichnocken | Schneidblock 2 x | Wechselräder Teile-Nr. Zähnezahl | Stichzahl pro Knopfloch | Messer | | | Bemerkungen | E-Nr. |
|-------|----------------------|------------|----------------------|------------------|-----------|------------------|------------|-------|-------------|------------------------|-------------|------------------------|----------------|---------------------|-------------------------------------|--|--|--|--|--|-------|
| | Stichlochgröße mm | Teile-Nr. | | Größe mm | Teile-Nr. | | System | Dicke | Riegellänge | Riegelnocken Teile-Nr. | Riegellänge | Riegelnocken Teile-Nr. | | | | | Teile-Nr. | Zoll | mm | | |
| E54 | 5,6 x 1,5 | 556 15391a | 4 | 5,6 x 28 | 556 6391 | 22 | 556 k Hses | 90 | normal | 556 661 | normal | 556 661 | *) | 556 15140 | 556 15848 | 556 767 23 556 800 56 556 769 25 556 798 54 556 774 30 556 793 49 | 81/479 91/425 120/321 | 556 7141 1/4" 556 7142 5/16" 556 7143 3/8" 556 7144 7/16" 556 7145 1/2" 556 7146 9/16" | 6,35 7,94 9,53 11,11 12,70 14,29 | Knopflöcher „umgekehrt genäht“ in Wäsche sowie Wirk- und Strickware. | E54 |
| E55 | 5,6 x 1,5 | 556 15394 | 4 | 5,6 x 41 | 556 6393 | 35 | 556 k Hses | 90 | normal | 556 661 | normal | 556 661 | *) | 556 15140 | 556 15848 | 556 770 26 556 797 53 556 775 31 556 792 48 556 778 34 556 789 45 | 97/401 127/305 149/261 | 556 7147 5/8" 556 7148 11/16" 556 7149 3/4" 556 7150 13/16" 556 7152 15/16" 556 7153 1" | 15,88 17,46 19,05 20,64 23,81 25,40 | Knopflöcher „umgekehrt genäht“ in Wäsche sowie Wirk- und Strickware. | E55 |
| E63 | 8,5 x 1,5 | 556 15395 | 7 | 8,5 x 31 | 556 16917 | 25 | 265 SES | 80 | normal | 556 661 | normal | 556 661 | *) | 556 15140 | 556 15848 | 556 767 23 556 800 56 556 769 25 556 798 54 556 774 30 556 793 49 556 775 31 556 792 48 | 81/479 91/425 120/321 127/305 | 556 7141 1/4" 556 7142 5/16" 556 7143 3/8" 556 7144 7/16" 556 7145 1/2" 556 7146 9/16" 556 7147 5/8" 556 7148 11/16" 556 7149 3/4" | 6,35 7,94 9,53 11,11 12,70 14,29 15,88 17,46 19,05 | Breite Knopflöcher "umgekehrt genäht" in Wirk- und Strickware. Stoffdrückerkorb mit kleiner Auflagefläche. Achtung! Diese Näheinrichtung für max. 7mm Knopflochbreite erfordert die Verwendung des Greifers Bestell-Nr. 556 5007. | E63 |
| E64 | 8,5 x 1,5 | 556 15396 | 7 | 8,5 x 41 | 556 16919 | 35 | 265 SES | 80 | normal | 556 661 | normal | 556 661 | *) | 556 15140 | 556 15848 | 556 770 26 556 797 53 556 775 31 556 792 48 556 778 34 556 789 45 | 97/401 127/305 149/261 | 556 7147 5/8" 556 7148 11/16" 556 7149 3/4" 556 7150 13/16" 556 7152 15/16" 556 7153 1" | 15,88 17,46 19,05 20,64 23,81 25,40 | Wie E63, jedoch max. 35mm Nählänge und max. 25,4mm Schnittlänge. Entfällt | E64 |

*) Bei Bestellung einer E-Nr. werden alle mit *) gekennzeichneten Teile nicht geliefert. **) Bei max. Ausnutzung der Riegelbreite von 7mm bei E63 u. E64 muß das mit **) gekennzeichnete Teil ausgebaut werden.

Datum

Name

Handwritten signature

Fortsetzung
Blatt 6



Einrichtungen
556 - 11101

Blatt 6

Steuerscheibe für Längsvorschub 556 5312

Steuerscheibe für Überstich 556 659



Doppelstepstich - Knopflochautomat mit Ober- und Untertransport sowie manuellem Sprungvorschub zum Nähen von Knopflöchern mit zwei geraden Riegeln.

max. Nählänge bis 60 mm } je nach
max. Schnittlänge bis 2" } Einrichtung

| E-Nr. | Stichplatte, vollst. | | max. Riegelbreite mm | Stoffdrückerkorb | | max. Nählänge mm | Nadel- | | Riegel I | | Riegel II | | Wechselräder | | | Stichzahl | | | Messer | | | Bemerkungen | E-Nr. |
|-------|----------------------|-----------|----------------------|------------------|-----------|------------------|----------|----------|--------------|-------------------------|--------------|-------------------------|-----------------|-----------|---------------|-----------|-------|-------|--|-----|--|-------------|-------|
| | Stichlochgröße mm | Teile-Nr. | | Größe mm | Teile-Nr. | | System | Dicke Nm | Riegel-länge | Riegel-nocken Teile-Nr. | Riegel-länge | Riegel-nocken Teile-Nr. | Teile-Nr. | Zähnezahl | pro Knopfloch | Teile-Nr. | Zoll | mm | | | | | |
| E30 | 5,6 x 1,5 | 55613251 | 4 | 5,6 x 28 | 5566391 | 22 | 556KHses | 80 | normal | 556661 | normal | 556662 | 556773 | 29 | } 114/339 | 055613 | 1/4" | 6,35 | Zum Nähen von Knopflöchern in Hemdenvorderteilen. Stoffdrückerkorb und Transportschieber mit kleiner Auflagefläche. | E30 | | | |
| | | | | | | | | | | | | 556794 | 50 | | | 055614 | 5/16" | 7,94 | | | | | |
| | | | | | | | | | | | | 556774 | 30 | } 120/321 | 055601 | 3/8" | 9,53 | | | | | | |
| | | | | | | | | | | | | 556793 | 49 | | | 055615 | 7/16" | 11,11 | | | | | |
| | | | | | | | | | | | | 556776 | 32 | } 134/289 | 055602 | 1/2" | 12,70 | | | | | | |
| | | | | | | | | | | | | 556791 | 47 | | | 055604 | 9/16" | 14,29 | | | | | |
| E45 | 5,6 x 1,5 | 556 6991 | 4 | 5,6 x 28 | 556 6391 | 22 | 556KHses | 80 | normal | 556 661 | normal | 556 662 | 2 Stck. 556 773 | 29 | } 114/339 | 556 7141 | 1/4" | 6,35 | Wie E30, jedoch mit Kunststoffscheideplatte in der Stichplatte und Messern mit rechtwinkliger Schneide. Für Knopflöcher in solchen, leichten synthetischen Stoffen, bei denen mit normaler Schneide einrichtung kein einwandfreies Aufschneiden der Knopflöcher möglich ist, d.h., es werden z. B. Querräden gezogen. 1) | E45 | | | |
| | | | | | | | | | | | | 556 794 | 50 | | | 556 7142 | 5/16" | 7,94 | | | | | |
| | | | | | | | | | | | | 556 774 | 30 | } 120/321 | 556 7143 | 3/8" | 9,53 | | | | | | |
| | | | | | | | | | | | | 556 793 | 49 | | | 556 7144 | 7/16" | 11,11 | | | | | |
| | | | | | | | | | | | | Nr.: 556 776 | 32 | } 134/289 | 556 7145 | 1/2" | 12,70 | | | | | | |
| | | | | | | | | | | | | 556 6984 | 556 791 | | 47 | 556 7146 | 9/16" | 14,29 | | | | | |

1) enthält Messer Einstelllehre 556 6987

*) Bei Bestellung einer E-Nr. werden alle mit *) gekennzeichneten Teile nicht geliefert

Datum

Name

Ober 1/11

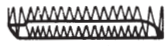
Fortsetzung

Blatt 7



Einrichtungen
556 - 202101

Blatt 7



Doppelsteppstich-Knopflochautomat mit Ober- und Untertransport für Knopflöcher mit zwei geraden Riegeln, normal genäht, zum Einsatz auf der Dürkopp 741-7.

Steuerscheibe für Längsvorschub 556 5312

Steuerscheibe für Überstich 556 659

max. Nählänge 35mm } je nach
max. Schnittlänge 25,4mm } E-Einrichtg.

| E-Nr. | Stichplatte, vollst. | | max. Riegelbreite mm | Stoffrückerkorb | | max. Nählänge mm | Nadel- | | Riegel I | | Riegel II | | Schneidblock | Wechselräder | | Stichzahl pro Knopfloch | Messer | | | Bemerkungen | E-Nr. |
|-------|----------------------|-----------|----------------------|-----------------|-----------|------------------|---------|-------|--------------|-------------------------|--------------|-------------------------|--------------|--|----------------------------------|-------------------------------|--|--|---|---|-------|
| | Stichlochgröße mm | Teile-Nr. | | Größe mm | Teile-Nr. | | System | Dicke | Riegel-länge | Riegel-nocken Teile-Nr. | Riegel-länge | Riegel-nocken Teile-Nr. | | 2* | Teile-Nr. | | Zähnezahl | Teile-Nr. | Zoll | | |
| E 58 | 5,6 x 1,5 | 556 16111 | 4 | 5,6 x 28 | 556 15881 | 22 | 265 SES | 80 | normal | 556 661 | normal | 556 662 | 556 15848 | 556 773 29 556 794 50 556 774 30 556 793 49 556 776 32 556 791 47 | 29 50 30 49 32 47 | 114/339 120/321 134/289 | 556 7141 556 7142 556 7143 556 7144 556 7145 556 7146 | 1/4" 5/16" 3/8" 7/16" 1/2" 9/16" | 6,35 7,94 9,53 11,11 12,70 14,29 | Knopflöcher „normal genäht“ in Hemden u. Blusen mit automatischem Sprungvorschub 741-7 (für hochgezogene u. flachgezogene Knopflöcher geeignet) | E 58 |
| E 59 | 5,6 x 1,5 | 556 16111 | 4 | 6,5 x 41 | 556 15883 | 35 | 265 SES | 80 | normal | 556 661 | normal | 556 662 | 556 15848 | 556 776 32 556 791 47 556 778 34 556 789 45 556 780 36 556 787 43 | 32 47 34 45 36 43 | 134/289 149/261 165/235 | 556 7147 556 7148 556 7149 556 7150 556 7152 556 7153 | 5/8" 11/16" 3/4" 13/16" 15/16" 1" | 15,88 17,46 19,05 20,64 23,81 25,4 | Knopflöcher normal genäht in Hemden u. Blusen mit automatischem Sprungvorschub 741-7 (für hochgezogene u. flachgezogene Knopflöcher geeignet) | E 59 |
| E 62 | 5,6 x 1,5 | 556 16111 | 4 | 5,6 x 28 | 556 15881 | 22 | 265 SES | 80 | normal | 556 661 | normal | 556 662 | 556 15848 | 556 769 25 556 798 54 556 772 28 556 795 51 556 774 30 556 793 49 | 25 54 28 51 30 49 | 91/425 108/358 120/321 | 556 7141 556 7142 556 7143 556 7144 556 7145 556 7146 | 1/4" 5/16" 3/8" 7/16" 1/2" 9/16" | 6,35 7,94 9,53 11,11 12,70 14,29 | Wie E 58, jedoch mit weniger Stichen pro Knopfloch. | E 62 |

*Bei Bestellung einer E-Nr. werden alle mit *) gekennzeichneten Teile nicht geliefert.

Datum

Name

Weg

Fortsetzung
Blatt 8



Einrichtungen
556 - 205101

Blatt 8



Doppelstepstich-Knopflochautomat mit Ober- und Untertransport für Knopflöcher mit zwei geraden Riegeln, umgekehrt genäht, zum Einsatz auf der Dürkopp 741-6.

Steuerscheibe für Längsvorschub 556 15131

Steuerscheibe für Überstich 556 15134

max. Nählänge 35 mm } je nach
max. Schnittlänge 25,4 mm } E-Einrichtung

| E-Nr. | Stichplatte, vollst. | | max. Riegelbreite mm | Stoffdrückerkorb | | max. Nählänge mm | Nadel- | | Riegel I | | Riegel II | | Endstichnocken | Schneidblock 2 x | Wechselräder Teile-Nr. | Zähnezahl | Stichzahl pro Knopfloch | Messer | | | Bemerkungen | E-Nr. |
|-------|----------------------|-----------|----------------------|------------------|-----------|------------------|---------|-------|--------------|-------------------------|--------------|-------------------------|----------------|---------------------|---------------------------|----------------------------------|-------------------------------|--|--|---|--|-------|
| | Stichlochgröße mm | Teile-Nr. | | Größe mm | Teile-Nr. | | System | Dicke | Riegel-länge | Riegel-nocken Teile-Nr. | Riegel-länge | Riegel-nocken Teile-Nr. | | | | | | Teile-Nr. | Zoll | mm | | |
| E56 | 6x15 | 556 15791 | 4 | 5,6x28 | 556 15881 | 22 | 265 SES | 80 | normal | 556 661 | normal | 556 661 | *) | 556 15140 | 556 15848 | 29 50 30 49 32 47 | 114/339 120/321 134/289 | 556 7141 556 7142 556 7143 556 7144 556 7145 556 7146 | 1/4" 5/16" 3/8" 7/16" 1/2" 9/16" | 6,35 7,94 9,53 11,11 12,70 14,29 | Knopflöcher „umgekehrt genäht“ in Hemden u. Blusen mit automatischem Sprungvorschub 741-6. | E56 |
| E57 | 6x15 | 556 15792 | 4 | 5,6x41 | 556 15883 | 35 | 265 SES | 80 | normal | 556 661 | normal | 556 661 | *) | 556 15140 | 556 15848 | 32 47 34 45 36 43 | 134/289 149/261 165/235 | 556 7147 556 7148 556 7149 556 7150 556 7152 556 7153 | 5/8" 11/16" 3/4" 13/16" 15/16" 1" | 15,88 17,46 19,05 20,64 23,81 25,4 | Knopflöcher „umgekehrt genäht“ in Hemden u. Blusen mit automatischem Sprungvorschub 741-6. | E57 |
| E61 | 6x15 | 556 15791 | 4 | 5,6x28 | 556 15881 | 22 | 265 SES | 80 | normal | 556 661 | normal | 556 661 | *) | 556 15140 | 556 15848 | 25 54 28 51 30 49 | 91/425 108/358 120/321 | 556 7141 556 7142 556 7143 556 7144 556 7145 556 7146 | 1/4" 5/16" 3/8" 7/16" 1/2" 9/16" | 6,35 7,94 9,53 11,11 12,70 14,29 | Wie E56, jedoch mit weniger Stichen pro Knopfloch. | E61 |

*) Bei Bestellung einer E-Nr. werden alle mit *) gekennzeichneten Teile nicht geliefert.

Datum

Nachtrag

Fortsetzung
Blatt