



Parts List and Sewing Equipment 零件样本和缝纫附件

281

DÜRKOPP ADLER

Manufacturer: Dürkopp Adler Manufacturing (Shanghai) Co., Ltd.
1201 Luoshan Road, Pudong New Area, Shanghai 200135, China

Contact: Dürkopp Adler AG, PO Box 17 03 51, D-33703 Bielefeld, Potsdamerstr. 190, D-33719 Bielefeld,
Phone +49 (0) 521 9 25 00, Fax +49 (0) 521 9 25 24 35, www.duerkopp-adler.com

制造商: 杜克普爱华工业制造(上海)有限公司
中国上海浦东新区罗山路1201号 邮政编码:200135

联系单位: *Dürkopp Adler AG, PO Box 17 03 51, D-33703 Bielefeld, Potsdamerstr. 190, D-33719 Bielefeld,
Phone +49 (0) 521 9 25 00, Fax +49 (0) 521 9 25 24 35, www.duerkopp-adler.com*

Edition: 03/2010	Revision index 02.0	Printed in China 中国印制	Part.-No.: 0791 281801
----------------------------	-------------------------------	-----------------------	----------------------------------

281

Table of contents

Table / 图表

目录

Arm, bed plate, covers	1	机壳、底板及罩壳
Main shaft, thread take-up	2	上轴和挑线机构
Motor, lower shaft	3	马达和下轴部件
Thread tension, thread guide	4	过线系统
Bobbin winder, pretension	5	绕线器及其过线系统
Foot lifter mechanism, solenoid	6	抬压脚机构和自动抬压脚电磁铁
Stitch length mechanism	7	针距调节机构
Feed dog carrier	8	送料机构
Hook shaft bearing, hook	9	旋梭轴轴承、旋梭
Gear box cover, control box with operating panel	10	齿轮箱盖、电脑控制箱 及控制操作面板
Thread trimmer	11	剪线机构
Cable sets, push button switch	12	连接电线, 按钮开关
Accessory box	13	附件盒
Sewing equipments		缝纫附件
Sewing lamp		缝纫机灯
Edge guides		导边器

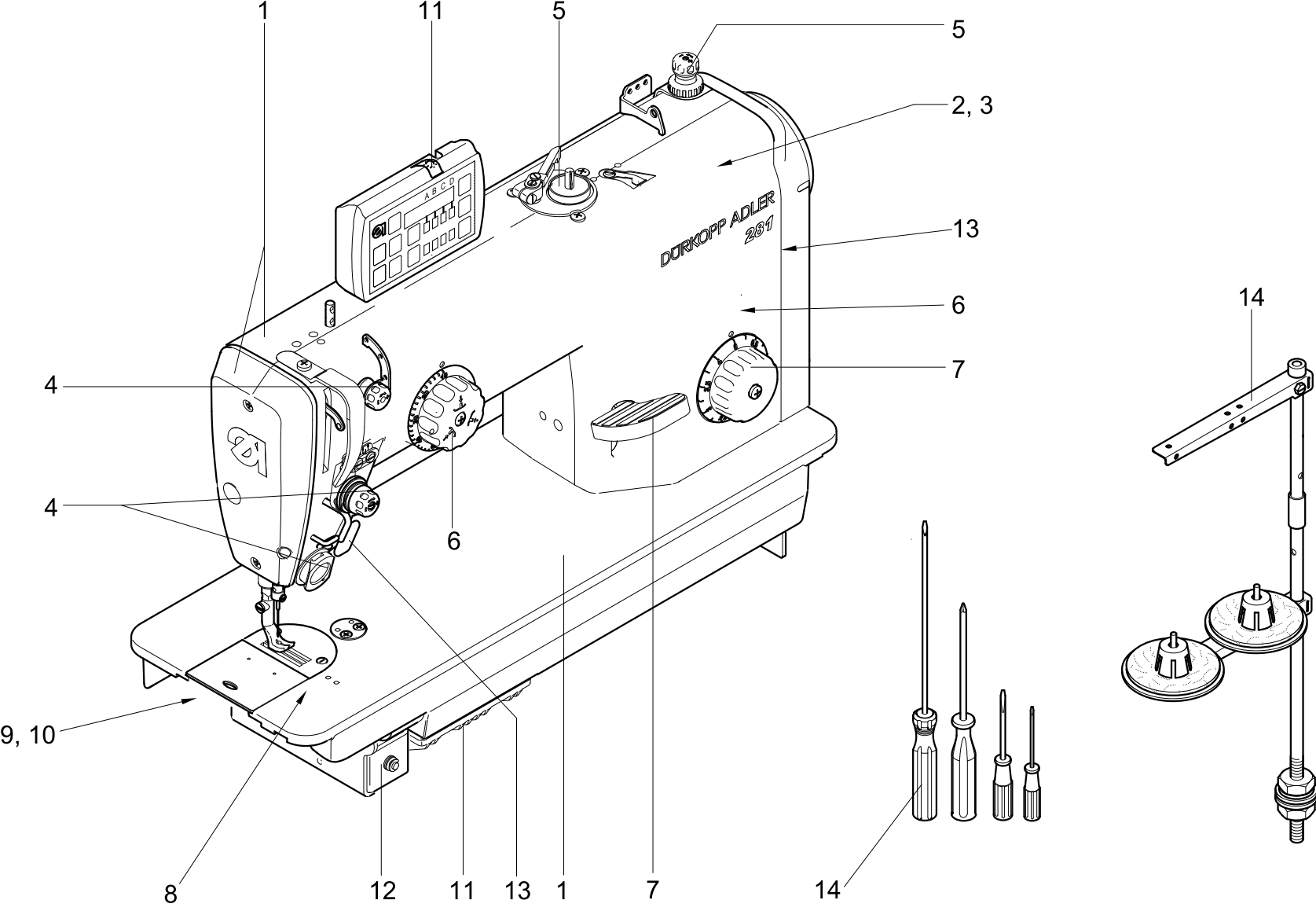
All rights reserved.

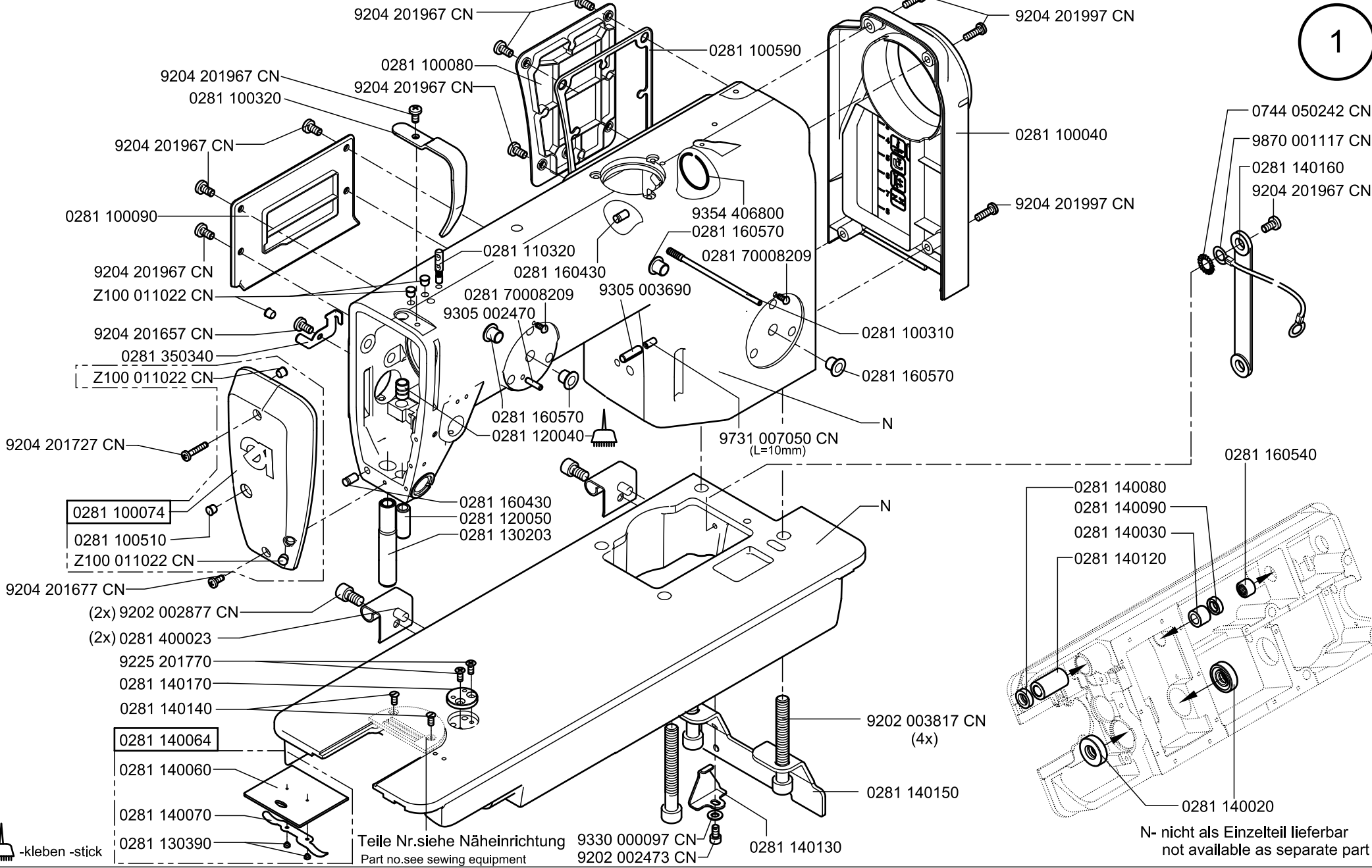
Property of Dürkopp Adler and copyrighted. Reproduction or publication of the content in any manner, even in extracts, without prior written permission of Dürkopp Adler, is prohibited.

版权所有，不许翻印

版权和产权归杜克普爱华有限公司所有。未经杜克普爱华有限公司书面许可，禁止以任何方式翻印或复印本内容，包括摘要。

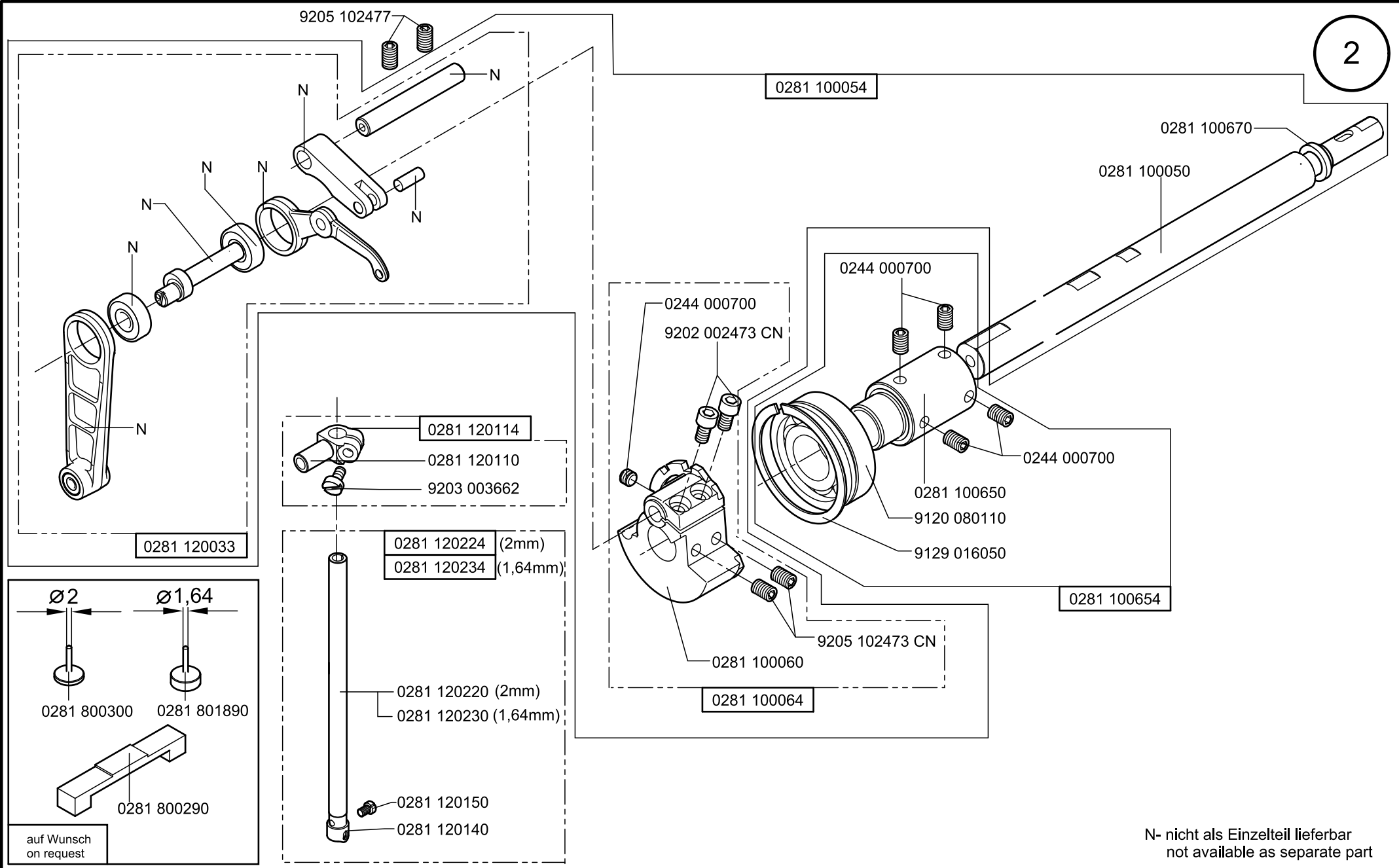
Copyright © Dürkopp Adler - 2010

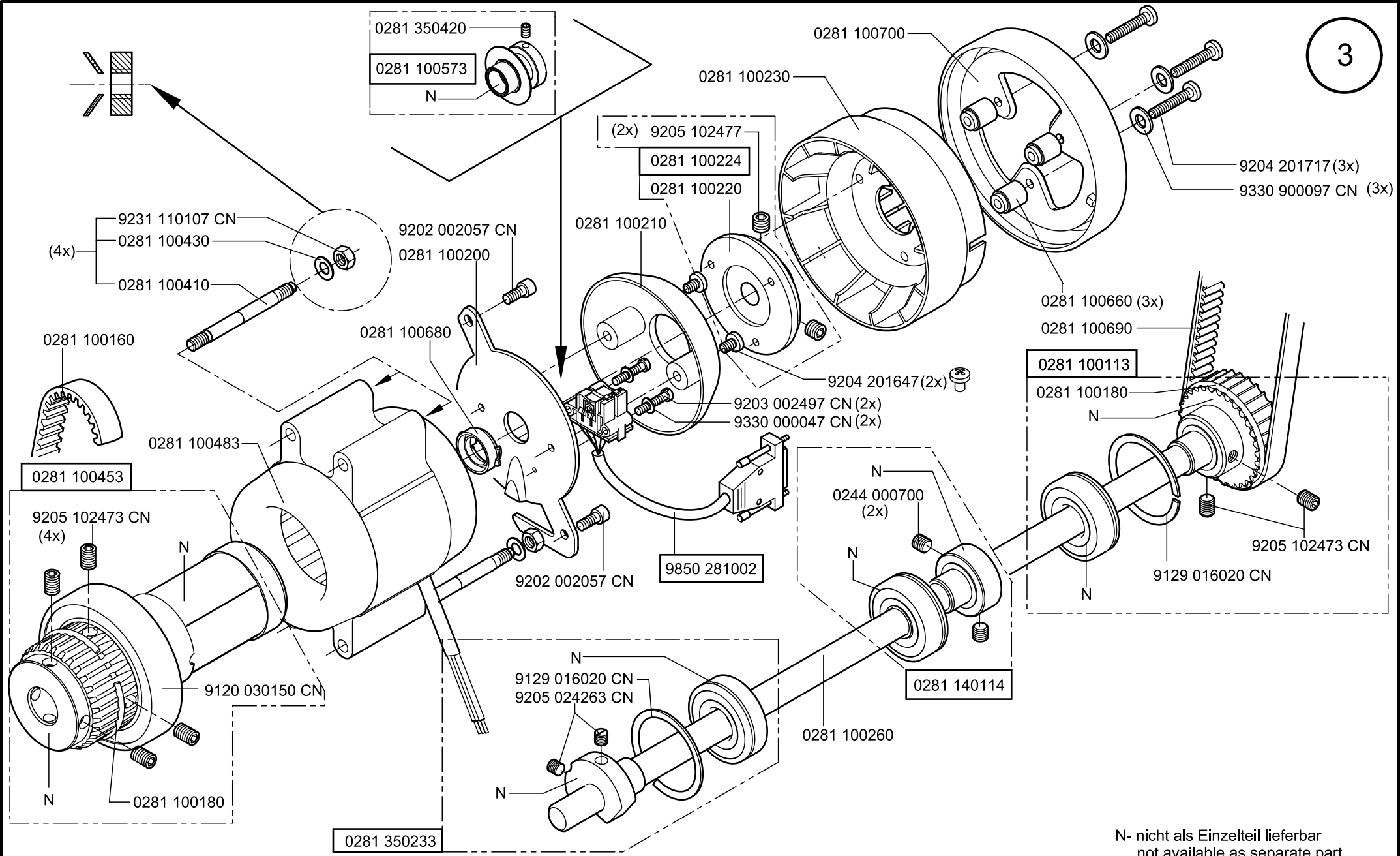




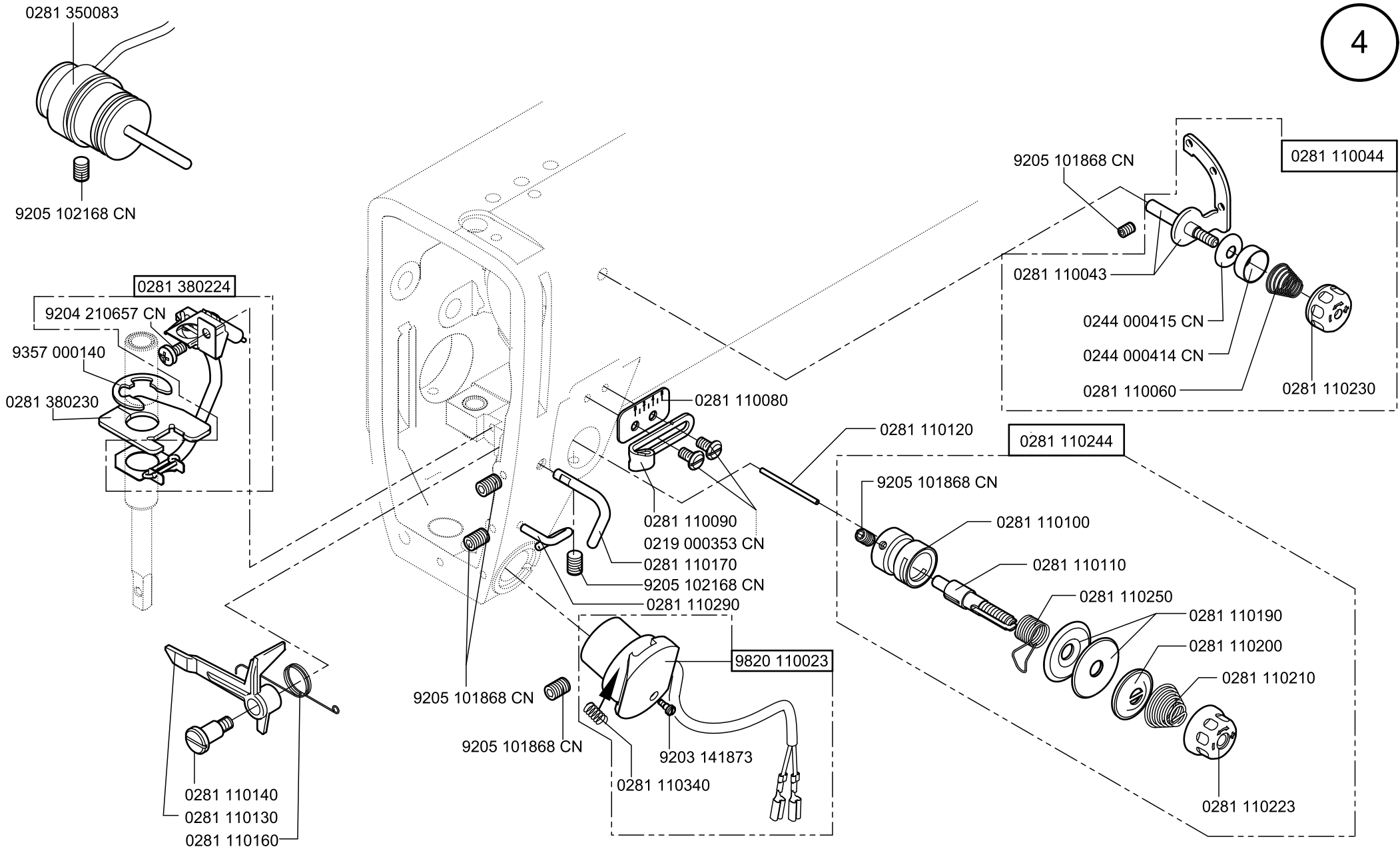
-kleben -stick

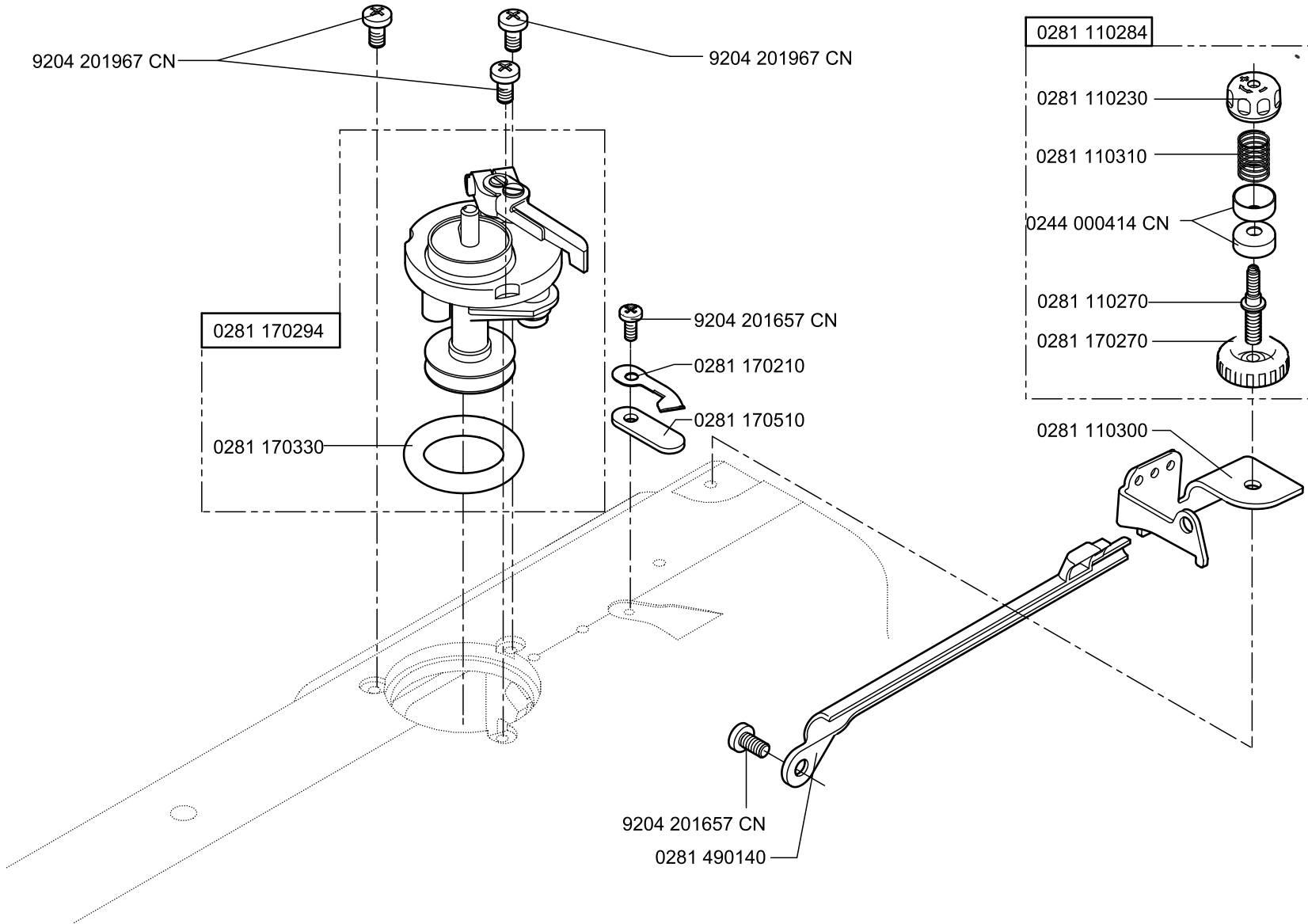
Teile Nr.siehe Näheinrichtung
Part no.see sewing equipment

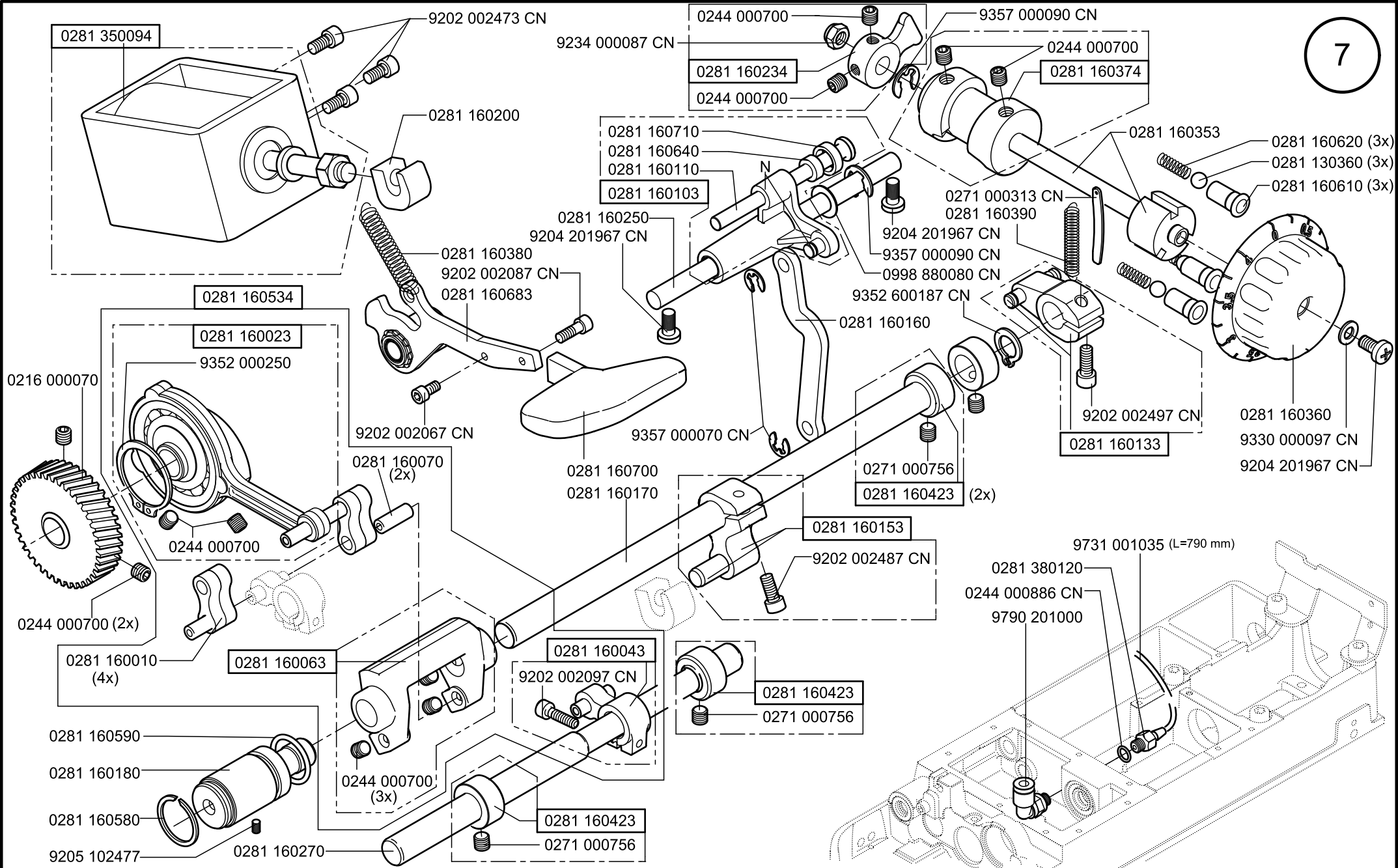


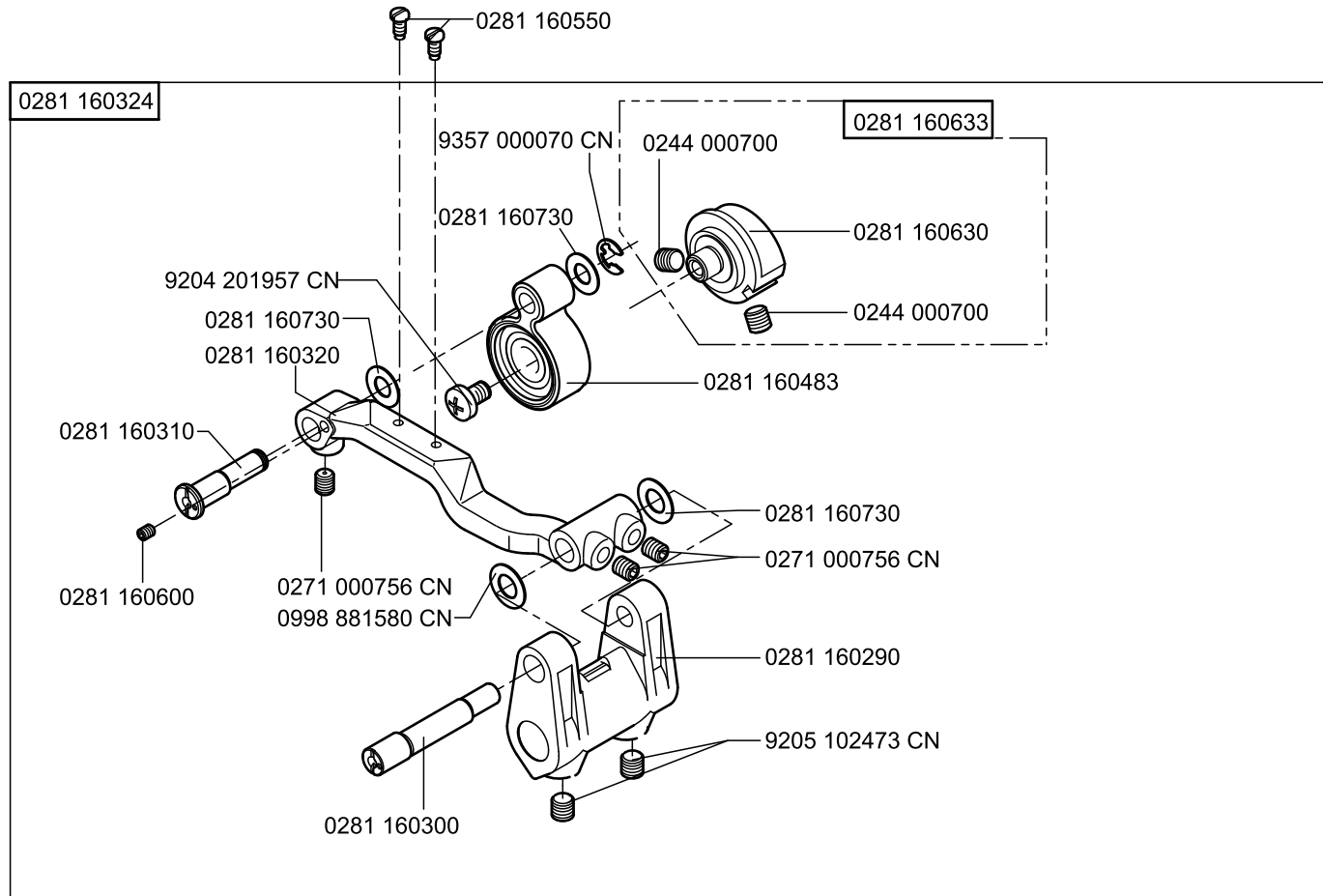


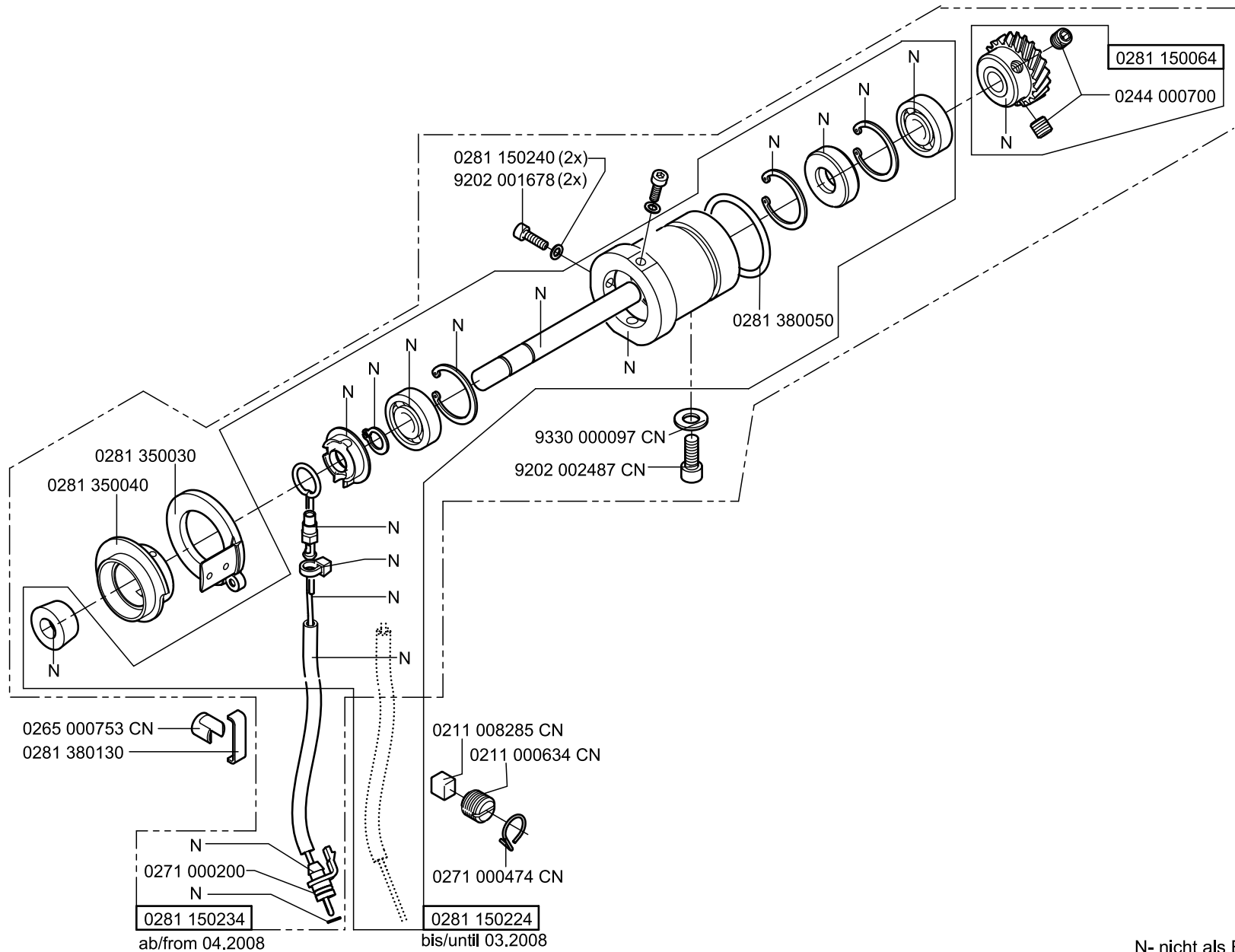
N- nicht als Einzelteil lieferbar
not available as separate part



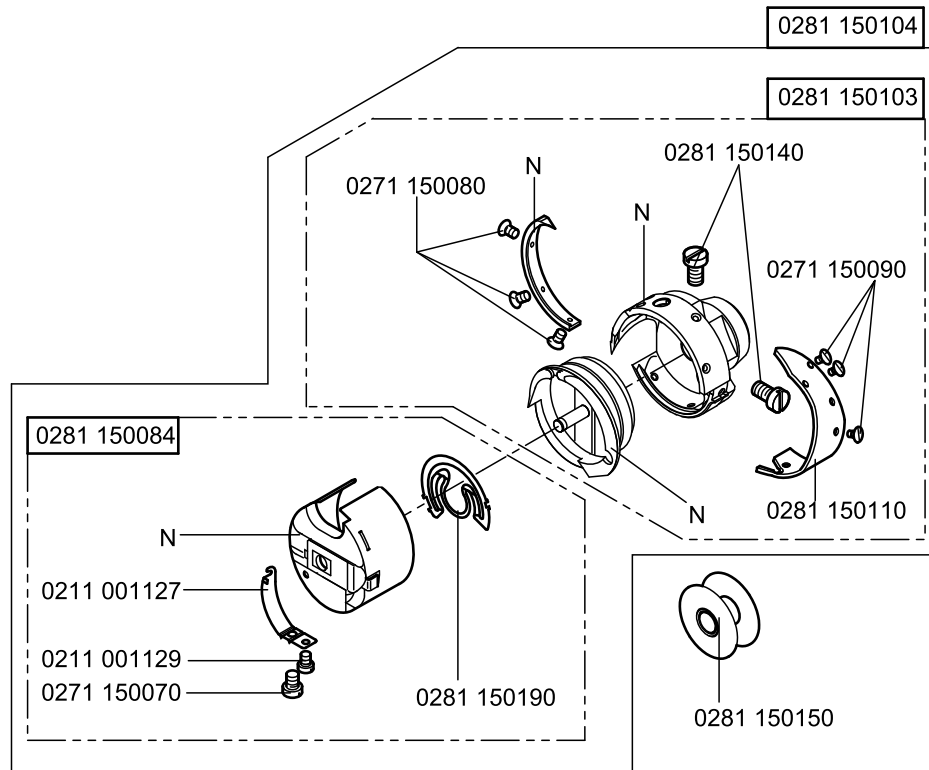








N- nicht als Einzelteil lieferbar
not available as separate part



0281 150084

N

0211 001127

0211 001129

0271 150070

0281 150190

0281 150150

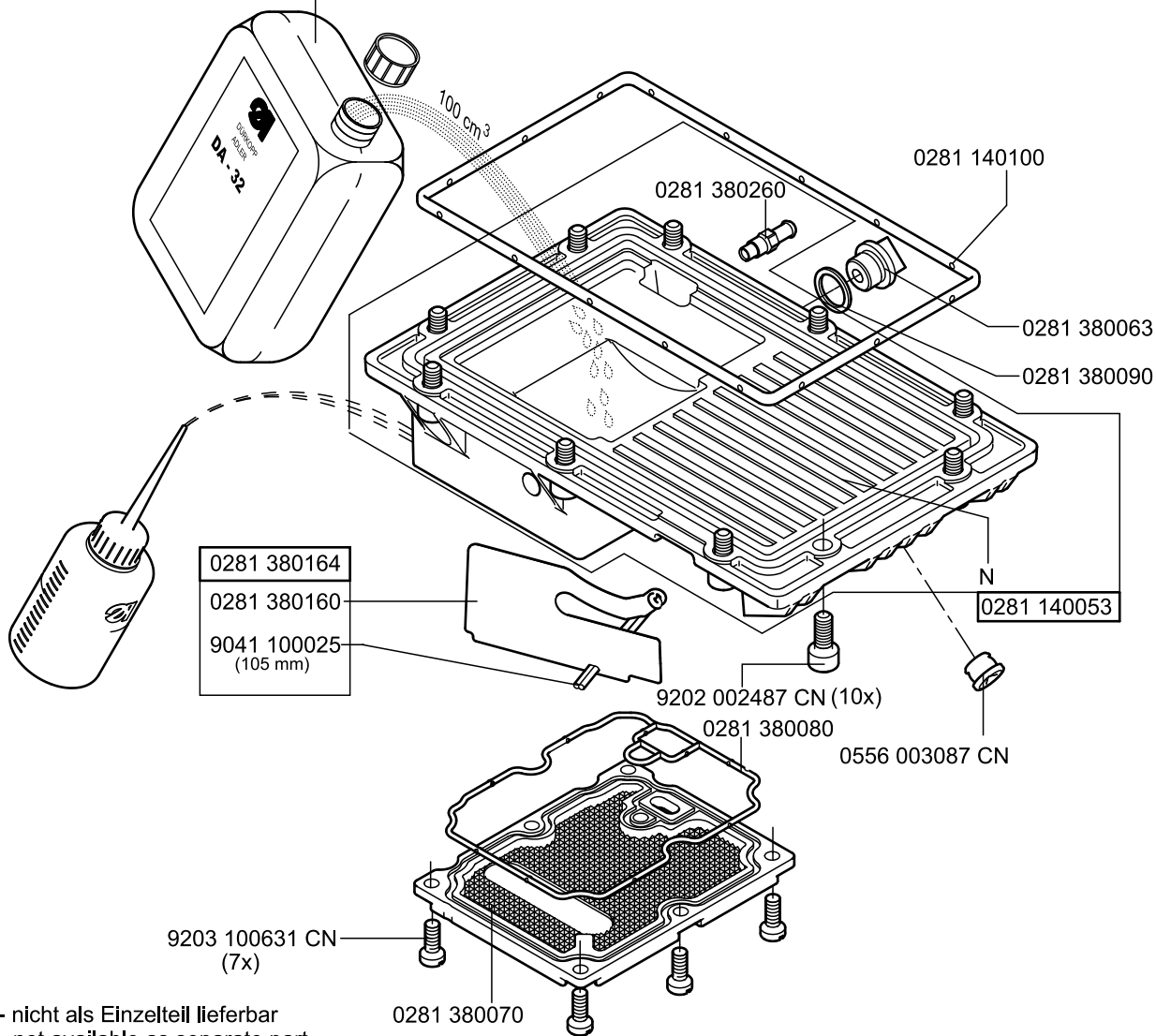
N

N

N

N- nicht als Einzelteil lieferbar
not available as separate part

(Getriebe/gearbox)
9047 000032

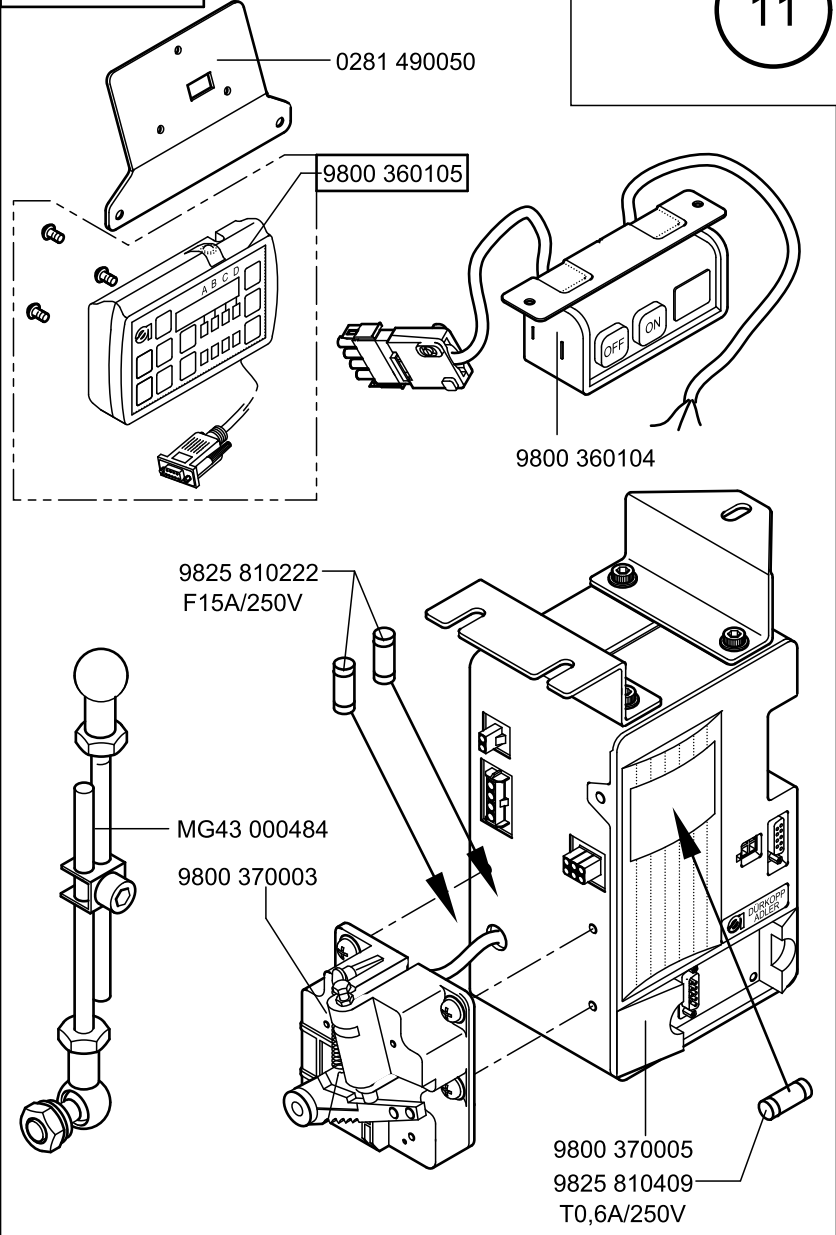


- 0281 380164
- 0281 380160
- 9041 100025
(105 mm)

N
0281 140053

N- nicht als Einzelteil lieferbar
not available as separate part

9800 170031 R



0281 490050

9800 360105

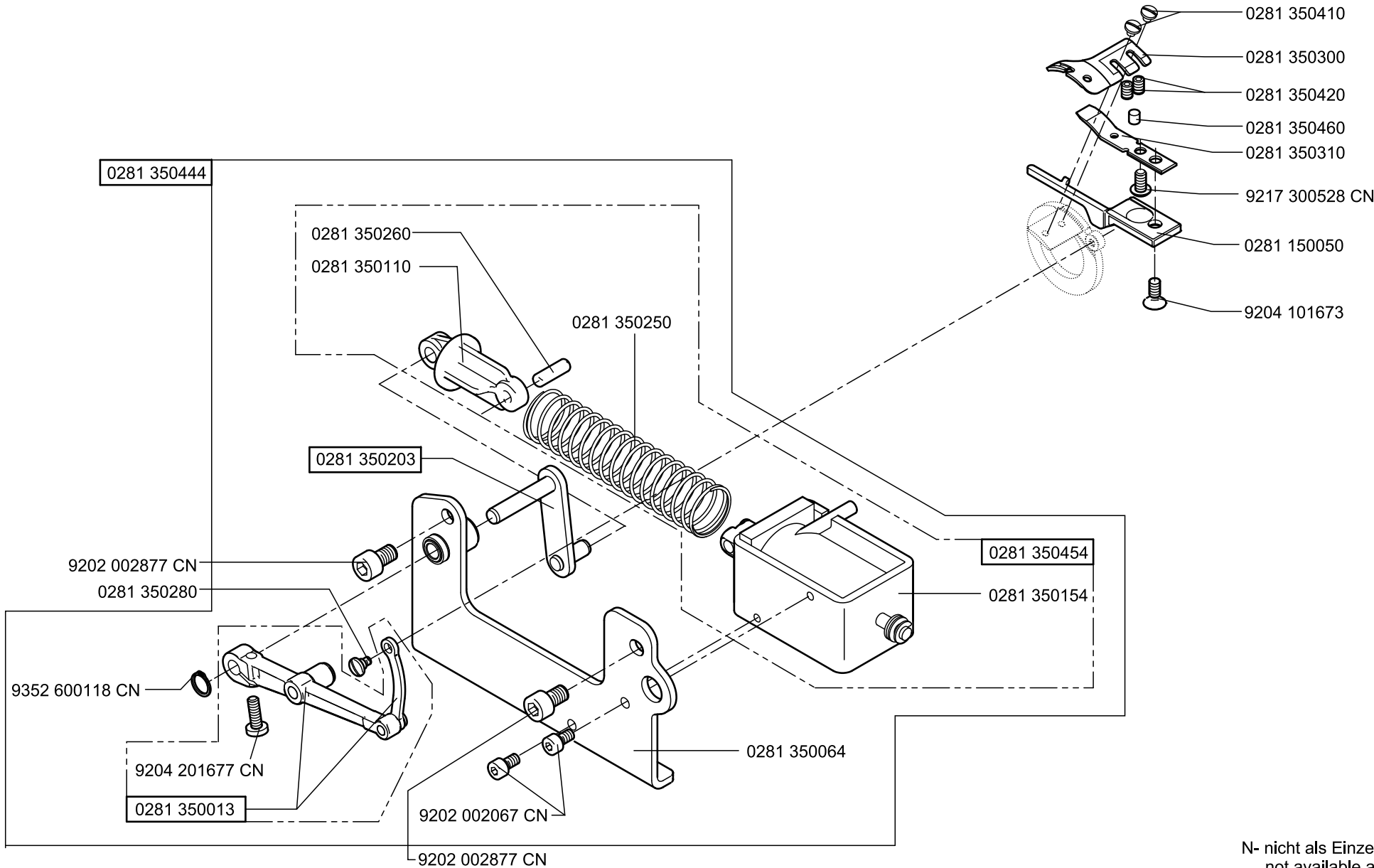
9800 360104

9825 810222
F15A/250V

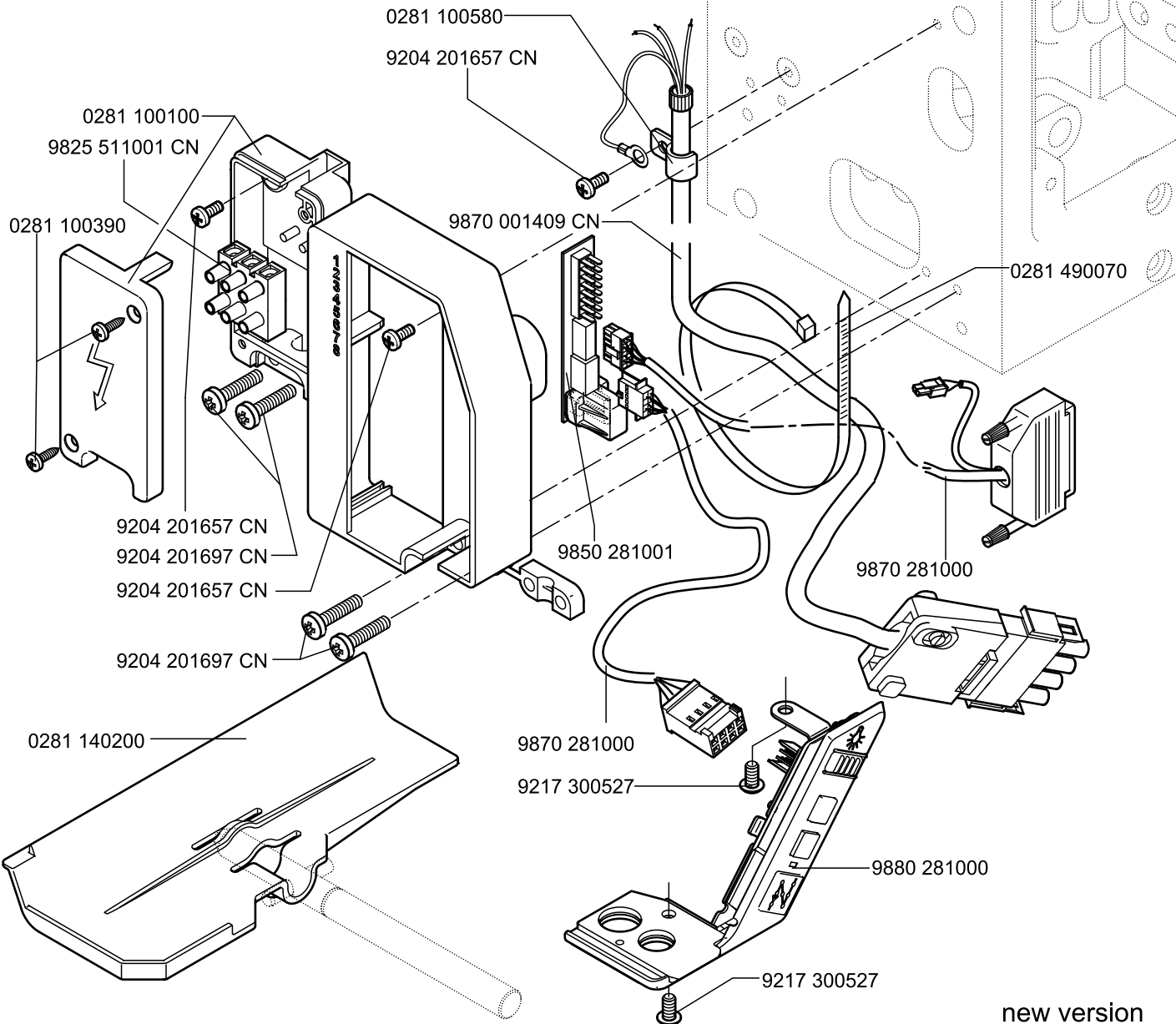
MG43 000484

9800 370003

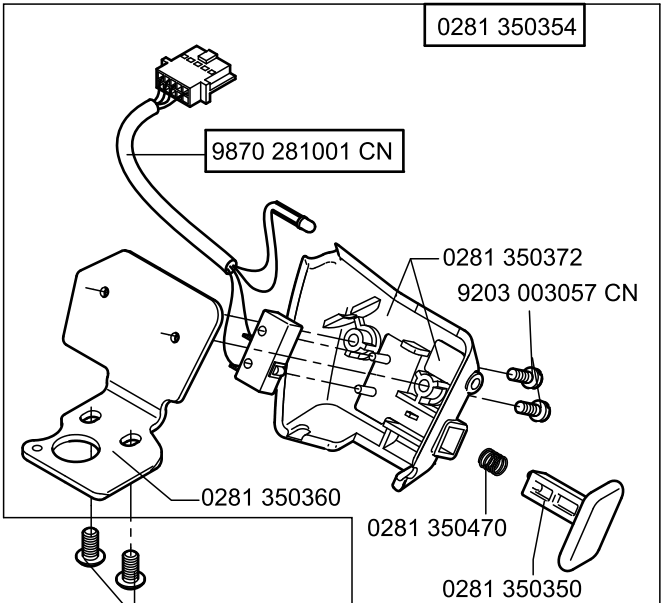
9800 370005
9825 810409
T0,6A/250V



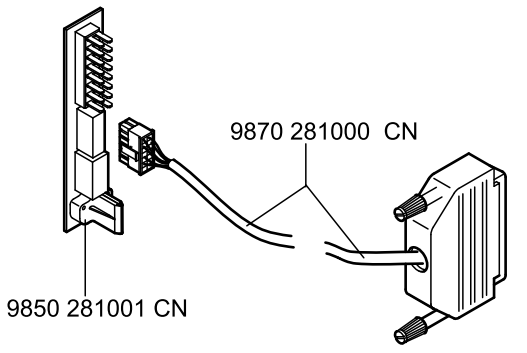
N- nicht als Einzelteil lieferbar
not available as separate part



new version

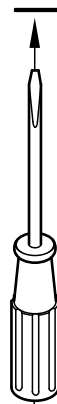
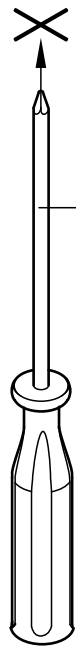
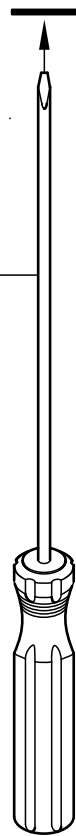
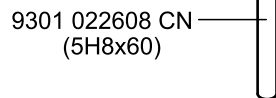
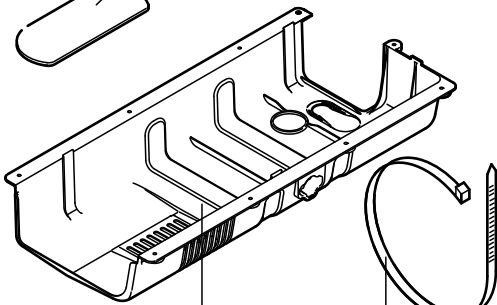
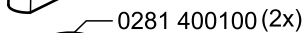
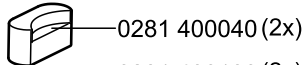
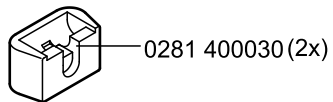
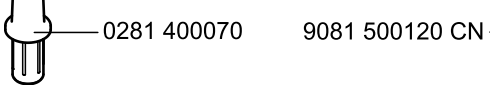
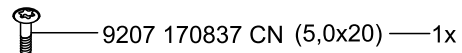
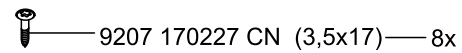
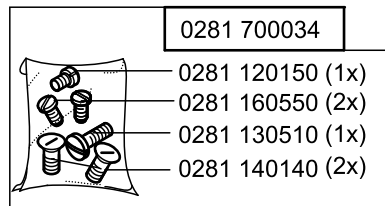
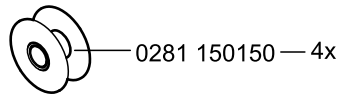
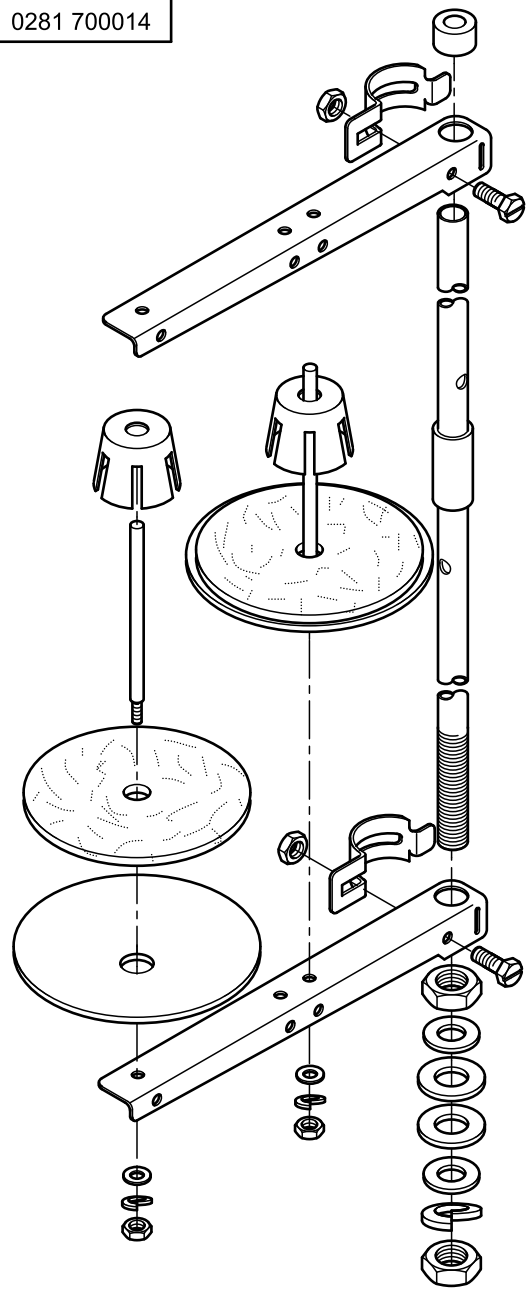


9217 300527

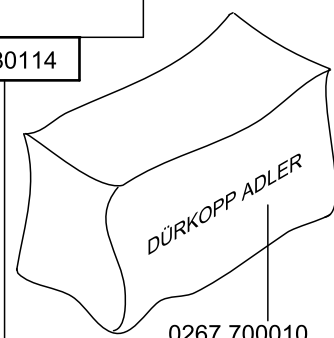
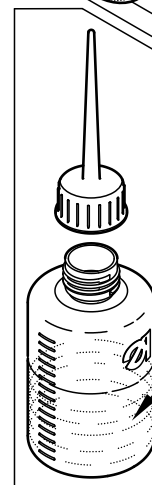
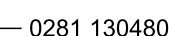
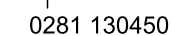
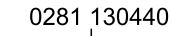
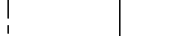
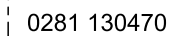
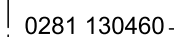
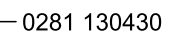
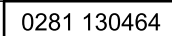
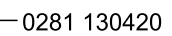
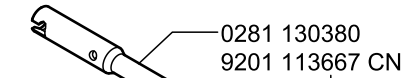
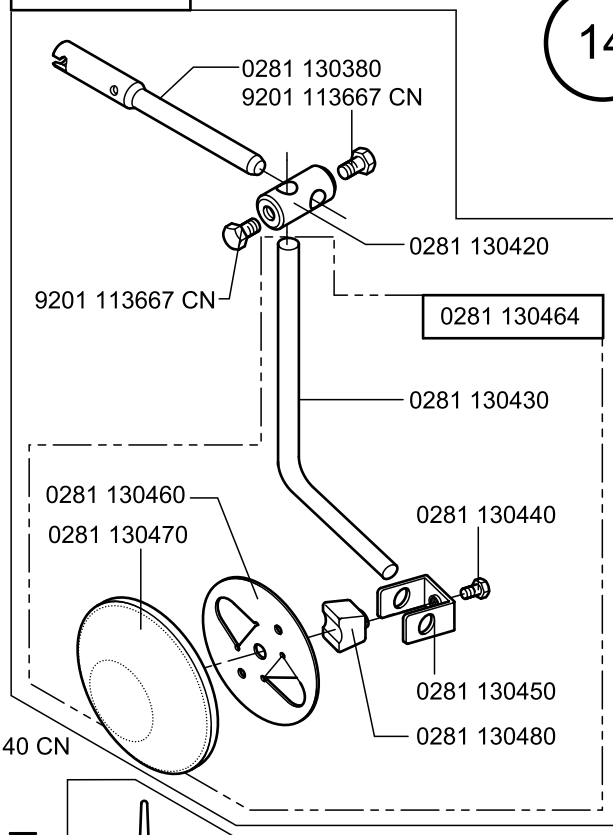


old version

0281 700014



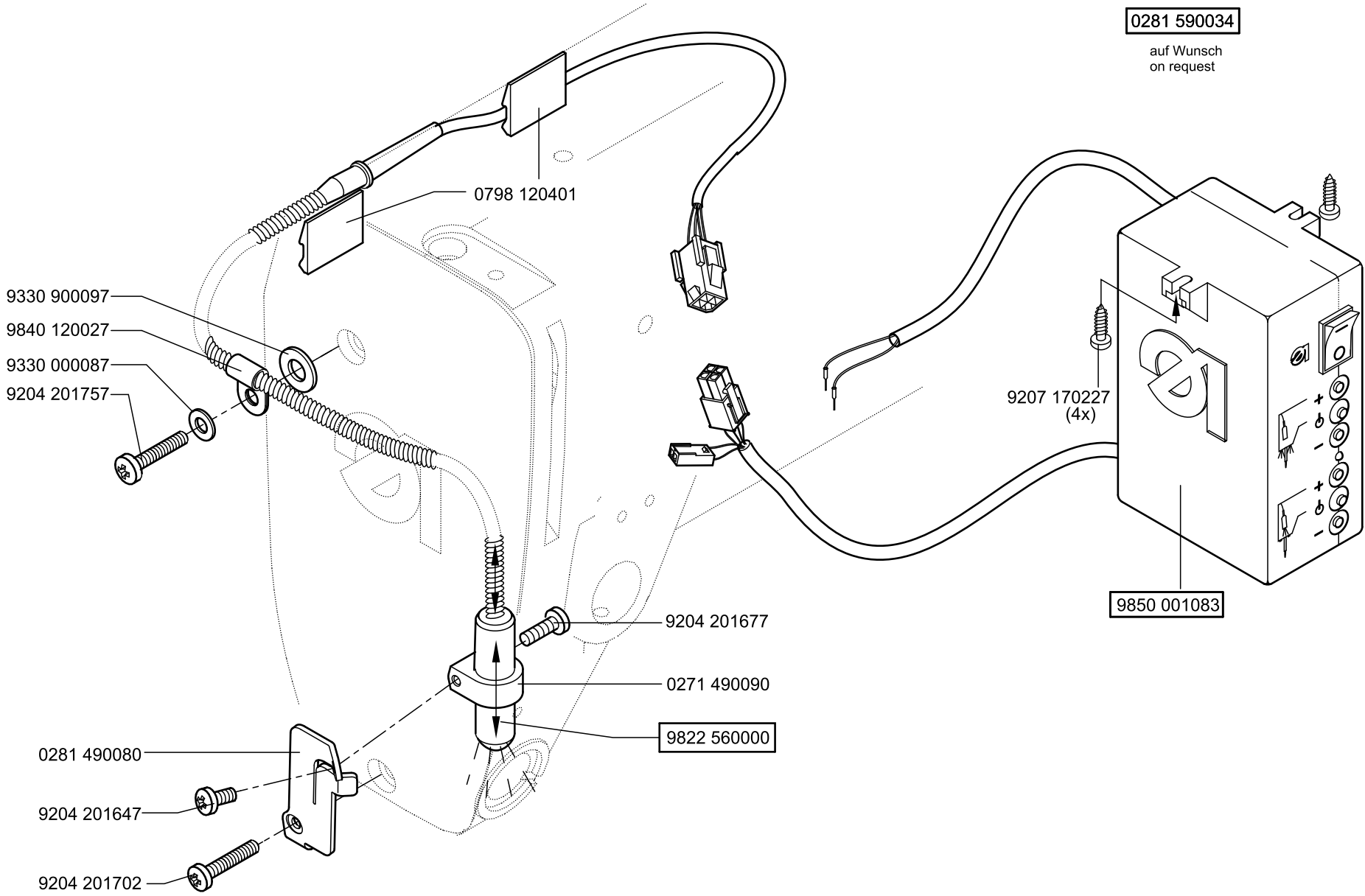
0281 130374



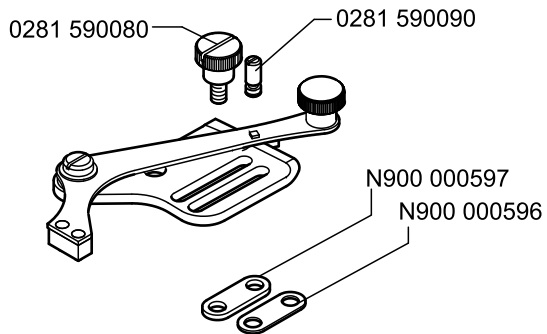
14

0281 590034

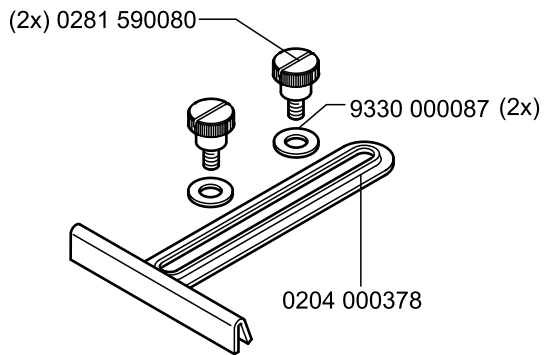
auf Wunsch
on request



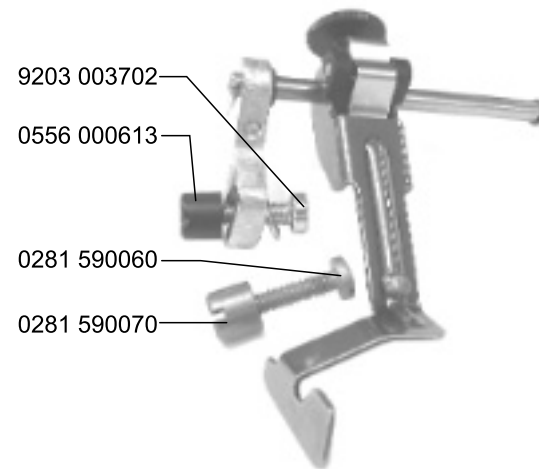
N900 012015 auf Wunsch on request



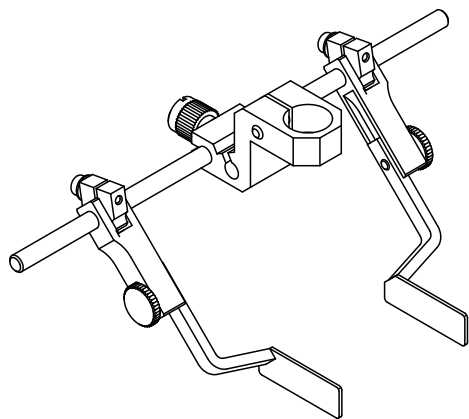
N900 011038 auf Wunsch on request



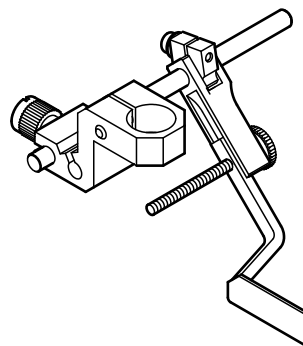
N900 023421 auf Wunsch on request

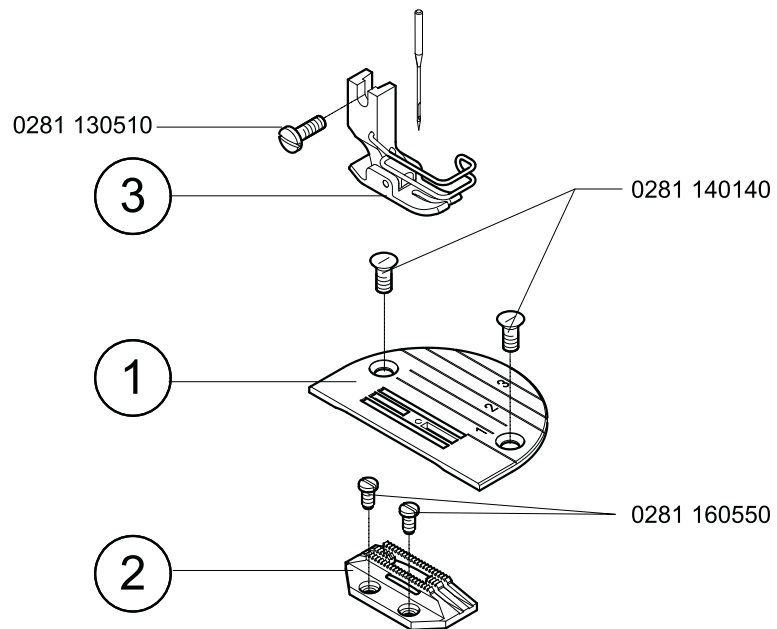


N900 020023 auf Wunsch on request



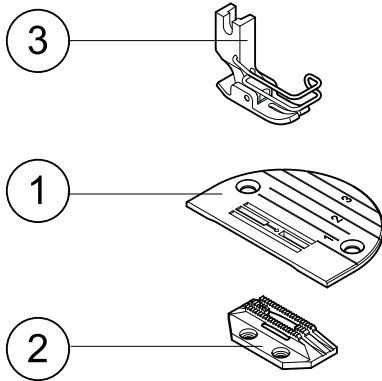
N900 020021 auf Wunsch on request



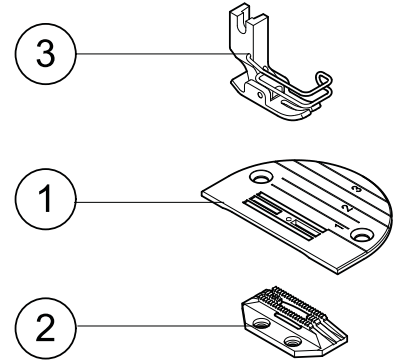




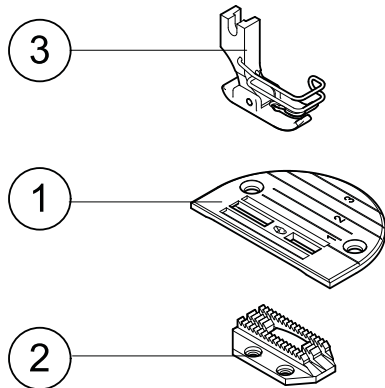
E1



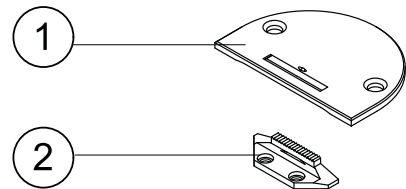
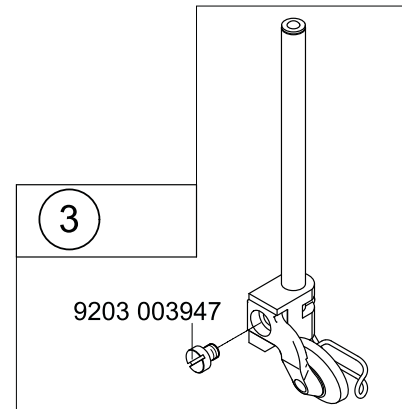
E2



E3

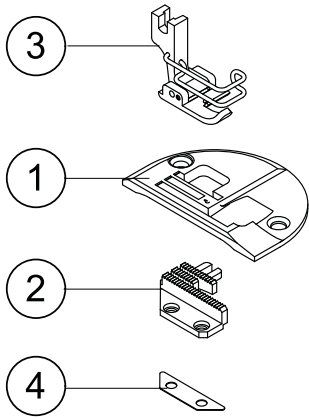


E20

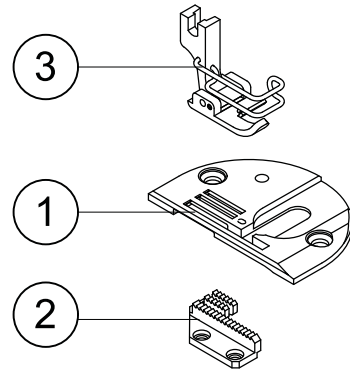




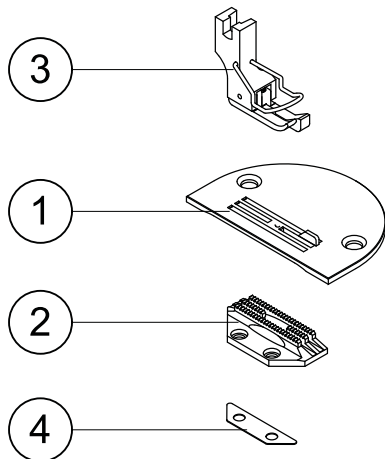
E50



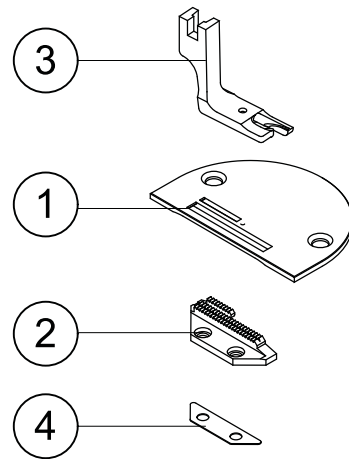
E51



E66



E70





E-No. E-No.	For Subclass / For Subclass	Material No. / Material No.	① Throat plate / Throat plate	② Stitch hole size / Stitch hole size mm	③ Sewing foot / Sewing foot	④ Roller foot / Roller foot	⑤ Spacer / Spacer	⑥ Feed dog serrated / Feed dog serrated mm	⑦ Needle / Needle ⁴⁾	⑧ Needle / Needle ⁵⁾	⑨ Needle system / -size / Needle system / -size ⁴⁾	⑩ Needle system / -size / Needle system / -size ⁵⁾
Fig.No. Fig.-No.	Use / Use											
E1	-140342; -140442 (0281-990110; 0281-990120) ⁴⁾ -140342; -140442 (0281-990010; 0281-990020) ⁵⁾ Sewing equipment for general sewing in light weight material. Max. stitch length 3.5 mm Articulated foot. <i>Sewing equipment for general sewing in light weight material. Max. stitch length 3.5 mm Articulated foot.</i>	0281 E00001 20	0281 200110	∅ 1,3	0281 220114			0281 210110; 0,7	DB x 1	9092 013400 070	DB x 1 # 9	134/70
E2	-140342; -140442 (0281-990110; 0281-990120) ⁴⁾ -140342; -140442 (0281-990010; 0281-990020) ⁵⁾ Sewing equipment for general sewing in light to medium weight material. Max. stitch length 4.5 mm. Articulated foot. <i>Sewing equipment for general sewing in light to medium weight material. Max. stitch length 4.5 mm. Articulated foot.</i>	0281 E00002 20	0281 200120	∅ 1,6	0281 220024			0281 210120; 1,1	DB x 1	9092 013400 080	DB x 1 # 12	134/80
E3	-140342 (0281-990110) ⁴⁾ -140342 (0281-990010) ⁵⁾ Sewing equipment for general sewing in medium weight material. Max. stitch length 4.5 mm Articulated foot. <i>Sewing equipment for general sewing in medium weight material. Max. stitch length 4.5 mm Articulated foot.</i>	0281 E00003 20	0281 200130	∅ 2,0	0281 220034			0281 210130; 1,6	DB x 1	9092 013400 100	DB x 1 # 16	134/100
E20	-140342; -140442 Sewing equipment for stitching operations, with roller foot for light weight leather. Max. stitch length 4.5 mm. Needle size Nm 80 - 100. <i>Sewing equipment for stitching operations, with roller foot for light weight leather. Max. stitch length 4.5 mm. Needle size Nm 80 - 100.</i>	0281 E00020 20	0271 006507	∅ 1,5	0281 220064			0271 006606; 1,2		9092 013406 090		134LR/90

4) only for China / only for China
5) for the rest of the world / for the rest of the world



Sewing equipment
Sewing equipment

281

Edition
Edition
04.09

Page 5
Page

Continued page --
Continued page

E-No. E-No. Fig.No. Fig.-No.	For Subclass / For Subclass Use / Use	Material No. / Material No.	① Throat plate / Throat plate	Stitch hole size / Stitch hole size mm	③ Sewing foot / Sewing foot	Roller foot / Roller foot	④ Spacer / Spacer	② Feed dog serrated / Feed dog serrated mm				Material presser bar / Material presser bar	Needle / Needle	Needle system / -size / Needle system / -size
E50	-140342; -140442 Sewing equipment for binding operations with the mobile binder N900 003441 / N015 in very light weight material. Max. stitch length 4.5 mm. Needle size Nm 65 - 80. <i>Sewing equipment for binding operations with the mobile binder N900 003441 / N015 in very light weight material. Max. stitch length 4.5 mm. Needle size Nm 65 - 80.</i>	0281 E00050 20	0271 006524	Ø 1,3	0204 000886		0271 006618	0281 210050; 1,2				9092 013440 070G		134 SAN 10-70
E51	-140342; -140442 Sewing equipment for binding operations according to N014, N015 and N017 in medium weight material. Max. stitch length 4 mm Needle size Nm 80 - 100. <i>Sewing equipment for binding operations according to N014, N015 and N017 in medium weight material. Max. stitch length 4 mm Needle size Nm 80 - 100.</i>	0281 E00051 20	0220 001521	2,7 x 1,8	0204 000886			0271 006604; 1,6				9092 013400 100		134/100
E66	-140342; -140442 Sewing equipment for general sewing in light to medium weight material. Max. stitch length 4.5 mm. Needle size Nm 70 - 100. Articulated foot. <i>Sewing equipment for general sewing in light to medium weight material. Max. stitch length 4.5 mm. Needle size Nm 70 - 100. Articulated foot.</i>	0281 E00066 20	0271 006525	Ø 1,2	0271 006818		0271 006618	0275 210090; 1,2				9092 013440 070G		134 SAN 10-70
E70	-140342; -140442 Sewing equipment for general sewing in light to medium weight material. Max. stitch length 4.5 mm. Needle size Nm 70 - 100. Articulated foot. <i>Sewing equipment for general sewing in light to medium weight material. Max. stitch length 4.5 mm. Needle size Nm 70 - 100. Articulated foot.</i>	0281 E00070 20	0271 006523	Ø 1,2	0204 002520		0271 006618	0271 006619; 1,2				9092 013440 070G		134 SAN 10-70

█ = Modification / Modification