



# Parts List

零件样本

# 8700

DÜRKOPP ADLER

---

Edition: 10/2007	Revision index 00.0	Printed in China 中国印制	Part.-No.: 0791 870801
---------------------	------------------------	-----------------------	---------------------------

## Parts List Basic Machines

### 基本机型零件样本

## 8700 - Basic Machines

### 8700 - 基本机型

#### 8704-O42-M00P

Light and medium material 3-thread 1-needle standard overlock machine

薄型和中厚型布料 3线1针基本型包缝机

#### 8714-B43-M00P

Light and medium material 4-thread 2-needle standard overlock machine

薄型和中厚型布料 4线2针基本型包缝机

#### 8716-C42-M00P

Light and medium material 5-thread 2-needle safety seam machine

薄型和中厚型布料 5线2针基本型安全缝包缝机

### Explanation of codes:

#### 代号解释:

a	three thread	(Stitch type 504)	3线	(线迹型式504)
b	four thread	(Stitch type 514)	4线	(线迹型式514)
c	five thread	(Stitch type 516)	5线	(线迹型式516)
d	selective part		选配零件	

*All rights reserved.*

Property of Dürkopp Adler and copyrighted. Reproduction or publication of the content in any manner, even in extracts, without prior written permission of Dürkopp Adler, is prohibited.

版板所有, 不许翻许

版权和产权归杜克普爱华有限公司所有。未经杜克普爱华有限公司书面许可, 禁止以任何方式翻印或复印本内容, 包括摘要。

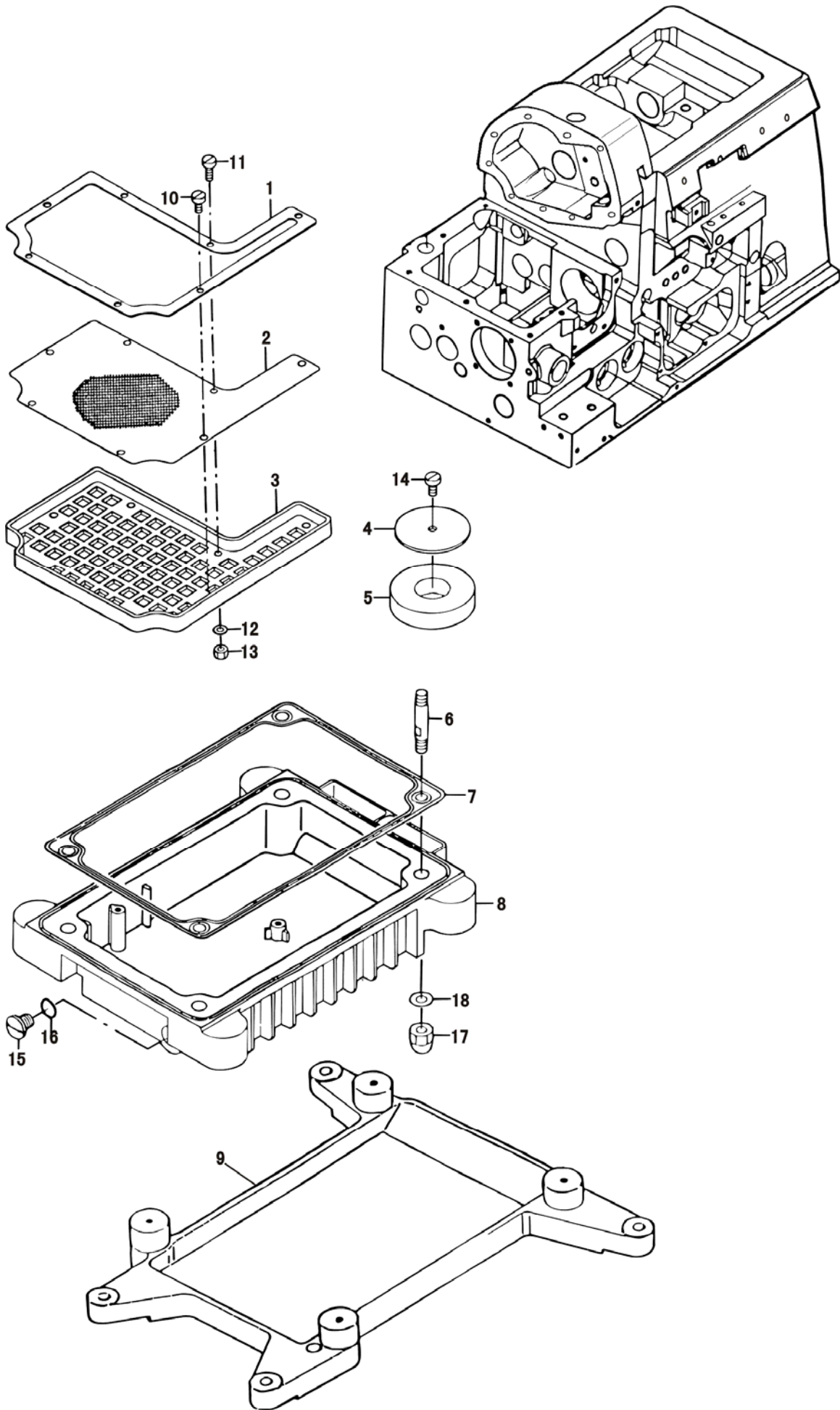
Copyright © Dürkopp Adler - 2007

# Content - 8700 Basic Machines

## 目录 - 8700 基本机型

1. FRAME ASSEMBLY (1) .....	1
机壳部件 (1)	
2. FRAME ASSEMBLY (2) .....	3
机壳部件 (2)	
3. THREAD TENSION ASSEMBLY .....	5
过线部件	
4. CRANKSHAFT ASSEMBLY .....	7
主轴部件	
5. NEEDLE DRIVING SHAFT ASSEMBLY .....	9
针杆部件	
6. FEED MECHANISM ASSEMBLY (1) .....	11
送料部件 (1)	
7. FEED MECHANISM ASSEMBLY (2) .....	13
送料部件 (2)	
8. KNIFE ASSEMBLY .....	15
切刀部件	
9. PRESSER FOOT ASSEMBLY .....	17
压脚部件	
10. UPPER LOOPER ASSEMBLY .....	19
上弯针部件	
11. LOWER LOOPER ASSEMBLY .....	21
下弯针部件	
12. CHAINSTITCH LOOPER ASSEMBLY (FOR 516) .....	23
链线弯针部件 (516用)	
13. PUMP ASSEMBLY .....	25
供油部件	
14. ACCESSORIE PART ASSEMBLY .....	27
附件	
15. THREAD STAND ASSEMBLY .....	29
线架部件	
16. NEEDLE & NEEDLE THREAD COOLER ASSEMBLY .....	31
针尖和针线冷却部件	
17. NUMERICAL INDEX OF PARTS .....	33~36
零件编号索引	

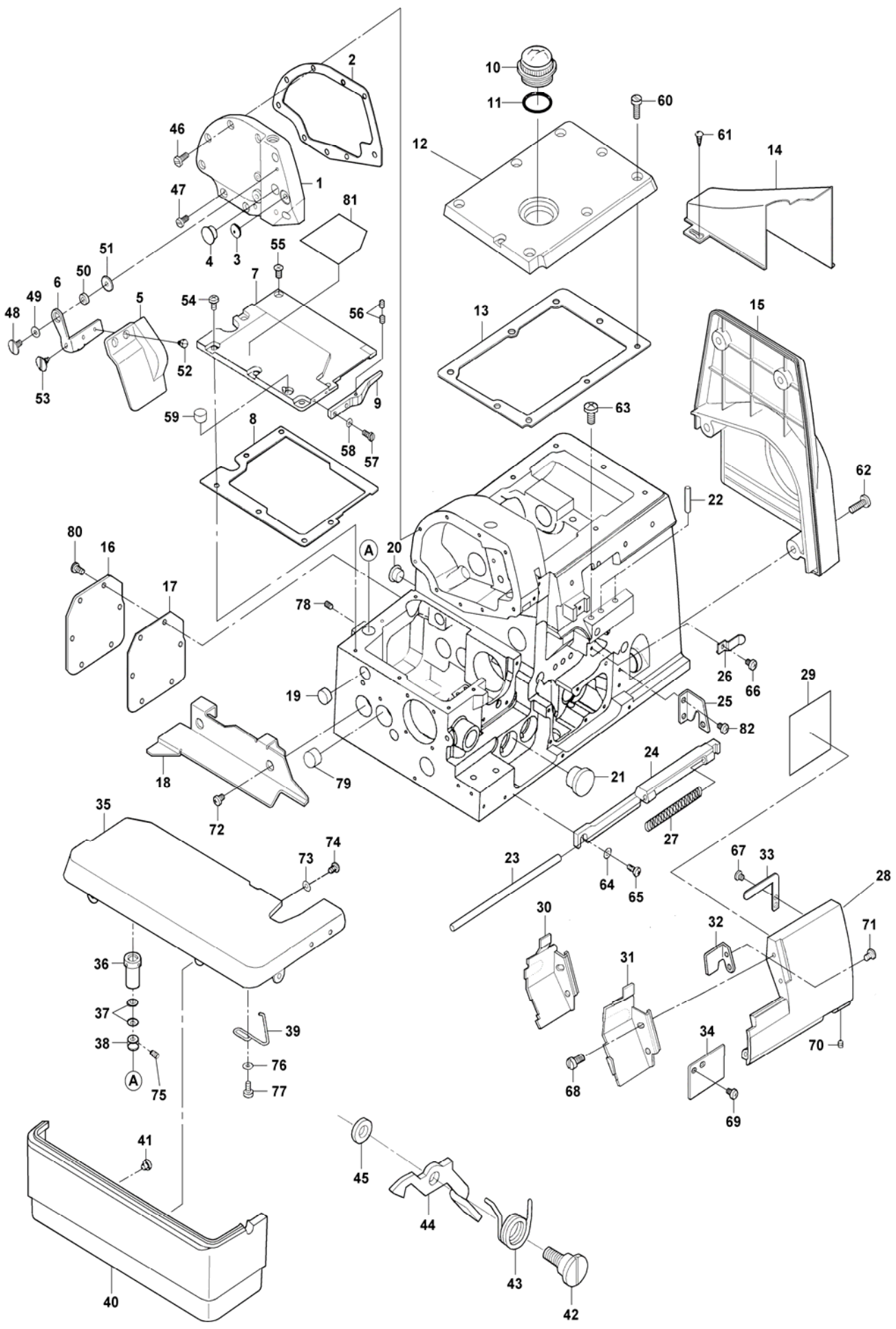
# 1. FRAME ASSEMBLY (1) 机壳部件 (1)



# 1. FRAME ASSEMBLY (1) 机壳部件 (1)

No.	Part No.	Note	Name	名称	Qty.
1	7700 70044212		FILTER PRESSER PLATE	油盘过滤网压板	1
2	7700 70044113		OIL RESERVOIR FILTER	油盘过滤网	1
3	7700 70044014		OIL RESERVOIR FILTER BASE	油盘过滤盘	1
4	7700 37010507		WASHER	油盘磁铁垫圈	1
5	7700 70044303		MAGNET	油盘磁铁	1
6	7700 70004000		BOLT M8	机头双头螺栓 M8	4
7	7700 70004208		OIL RESERVOIR GASKET	油盘密封垫	1
8	7700 70004109		OIL RESERVOIR	油盘	1
9	7700 70048007		FRAME SUPPORT PLATE ASM.	机头托盘	1
10	7700 AM0104008HO		SCREW M4x8	油盘过滤盘螺钉 M4x8	2
11	7700 AM0104010HO		SCREW M4x10	油盘过滤网压板螺钉 M4x10	5
12	7700 37010101		WASHER 4	油盘过滤网压板垫圈 4	5
13	7700 BM0204035DO		NUT M4	油盘过滤网压板螺母 M4	5
14	7700 AM0104008HO		SCREW M4x8	油盘磁铁螺钉 M4x8	1
15	7700 37014103		SCREW M10x1x9	油塞螺栓 M10x1x9	1
16	7700 37003304		RUBBER RING 15x2.4	排油螺栓O形密封圈 15x2.4	1
17	7700 37009103		NUT M8x1.25	油盘盖形紧固螺母 M8x1.25	4
18	7700 37011208		WASHER 8	油盘铝垫圈 8	4

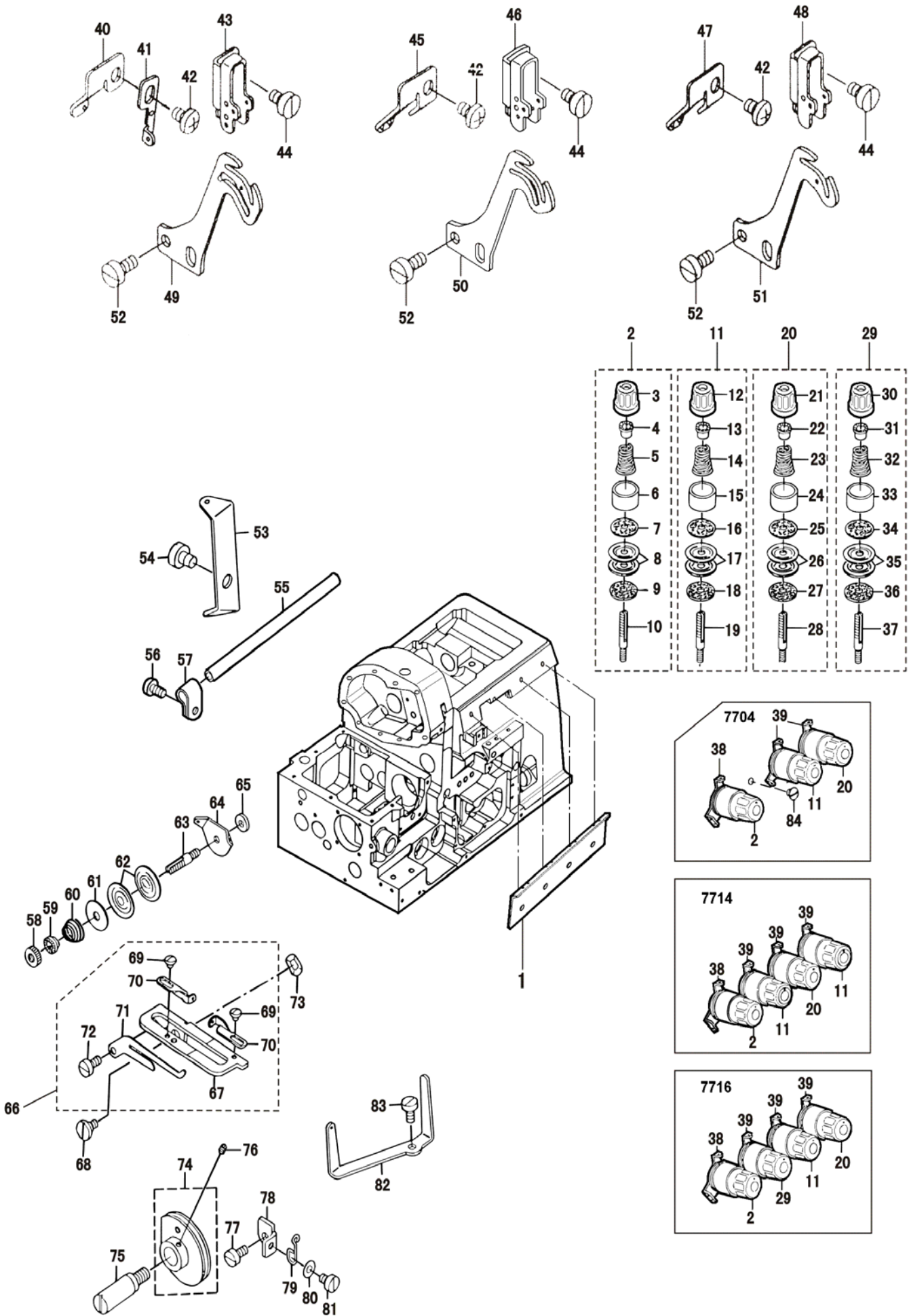
## 2. FRAME ASSEMBLY (2) 机壳部件 (2)



## 2. FRAME ASSEMBLY (2) 机壳部件 (2)

No.	Part No.	Note	Name	名称	Qty.
1	8700 87000117DA		SIDE COVER	侧盖(粉末涂料)	1
2	8700 87000216DA		SIDE COVER GASKET	侧盖垫	1
3	7700 70003903		EYE GUARD COVER BASE BUSHING	护目罩支架防震垫	1
4	8700 87007107DA		BUSHING D PLUG	侧盖橡胶塞	1
5-1	7700 70003606	ab	EYE GUARD COVER (7704、7714)	护目罩 (7704、7714)	1
5-2	7700 70003705	c	EYE GUARD COVER (7716)	护目罩 (7716)	1
6	8700 87003517DA		EYE GUARD COVER BASE	护目罩支架	1
7	7700 70000622		FEED MECHANISM COVER	送料牙架盖	1
8	7700 70000721		GASKET	送料牙架盖垫	1
9	7700 70004406		THROAT PLATE RETAINER	针板支架	1
10	7700 70000503		OIL SIGHT WINDOW	注油盖	1
11	7700 37003403		RUBBER RING 25x2.5	注油盖O型密封圈 25×2.5	1
12	8700 87000335DA		UPPER COVER	上盖(粉末涂料)	1
13	8700 87000434DA		UPPER COVER GASKET	上盖垫	1
14	8700 87008417DA		BELT COVER B	带轮罩 (B)	1
15	8700 87004337DA		BELT COVER	带轮罩	1
16	7700 77009009DA		COVER	送料调节孔盖(粉末涂料)	1
17	7700 70009108		GASKET	送料调节孔盖垫	1
18	7700 70001717		CLOTH PLATE SID COVER	缝台横盖	1
19	7700 37007008		RUBBER PLUG	牙架支撑轴孔油塞	1
20	8700 87007107DA		BUSHING D PLUG	牙架支撑轴紧固螺钉孔油塞	1
21	7700 37007206	ab	RUBBER PLUG	链线弯针轴孔油塞	1
22	7700 70004505		THREAD GUIDE , LARGE	弯针小过线管	2
23	7700 70001402		HINGE PIN	弯针罩铰链轴	1
24	7700 70000800		LOOPER COVER BRACKET	弯针罩座	1
25	7700 70001006		LOOPER COVER STOPPER	弯针罩开闭限位挡块	1
26	7700 70001303		PRESSER SPRING	弯针罩压簧	1
27	7700 70001501		LOOPER COVER SPRING	弯针罩簧	1
28	7700 77000929DA		LOOPER COVER	弯针罩(粉末涂料)	1
29-1	7700 70005423	a	THREADING DIAGRAM (7704)	穿线图 (7704)	1
29-2	7700 70005522	b	THREADING DIAGRAM (7714)	穿线图 (7714)	1
29-3	7700 70005621	c	THREADING DIAGRAM A (7716)	穿线图A (7716)	1
30	7700 77083222DA	c	CLOTH WASTE COVER	排屑罩	1
31	7700 77083024DA	ab	CLOTH WASTE COVER	排屑罩	1
32	7700 70001105		GUIDE PLATE	弯针罩导板	1
33	7700 70001204		PRESSER PLATE	弯针罩压板	1
34	8700 87003309DA		CLOTH WASTE COVER ,LEFT	排屑罩 (左)	1
35	7700 70002774		CLOTH PLATE COMPL.	缝台组件	1
36	7700 70002806		ECCENTRIC BUSHING	缝台偏心套	1
37	7700 DA0604303TO		DISC SPRING 8x4.2x0.4x0.6	缝台铰链轴碟型弹簧垫圈 8×4.2×0.4×0.6	2
38	7700 37000003		CLOTH PLATE HINGE SHAFT COLLAR	缝台铰链轴紧圈	1
39	7700 70002905		CLOTH PLATE SPRING	缝台开闭簧	1
40	8700 87003269DA		CLOTH PLATE COVER COMPL.	缝台罩组件	1
41	7700 70002004		RUBBER CUSHION	缝台罩防震垫	2
42	8700 87047108DA		HINGE SCREW	缝台锁紧钩轴位螺钉	1
43	8700 87047009DA		SPRING	缝台锁紧钩扭簧	1
44	8700 87046902DA		LEVER	缝台锁紧钩	1
45	8700 87010804DA		WASHER	缝台锁紧钩垫圈	1
46	8700 AM0904010DN		SCREW M4x10	侧盖螺钉 M4×10	6
47	8700 87015209DA		SCREW M4x7.5	侧盖螺钉 M4×7.5	3
48	8700 87015308DA		SCREW M4x8	护目罩支架螺钉 M4×8	1
49	8700 DB0308503TN		WAVED WASHER 8.5x12.5x0.3	护目罩支架波形弹簧垫圈8.5×12.5×0.3	1
50	7700 70003804		EYE GUARD COVER BASE COLLAR	护目罩支架衬圈	1
51	7700 37011505		WASHER 4	护目罩支架小垫圈 4	1
52	7700 AM0103005DN		SCREW M3x5	护目罩螺钉 M3×5	2
53	8700 87001001DA		SCREW M3x2.5	护目罩锁紧螺钉 M3×2.5	1
54	7700 AM0904008DO		SCREW M4x8	牙架盖螺钉 M4×8	5
55	7700 AM0804008HO		SCREW M4x8	牙架盖螺钉 M4×8	1
56	7700 AM0304004HO		SET SCREW M4x4	针板支架调节螺钉 M4×4	2
57	7700 37024102		SCREW M3x8	针板支架紧固螺钉 M3×8	2
58	7700 DP0203205DO		WASHER 3	针板支架垫圈 3	2
59	7700 37006802		CLOTH PLATE RUBBER CUSHION B	缝台防震垫 (B)	1
60	8700 87019508DA		SCREW M5x14	上盖螺钉 M5×14	8
61	8700 87026008DA		SCREW 3.5x12	带轮罩 (B) 紧固螺钉 3.5×12	2
62	8700 AM0905016DN		SCREW M5x16	带轮罩紧固螺钉 M5×16	4
63	8700 AM0906012DN		SCREW M6x12	附属装置螺钉 M6×12	1
64	8700 DP0204308BN		WASHER 4	弯针罩垫圈 4	3
65	8700 AM0904010DN		SCREW M4x10	弯针罩螺钉 M4×10	3
66	7700 AM0904006HO		SCREW M4x6	弯针罩压簧螺钉 M4×6	1
67	7700 37018005		SCREW M4x4	弯针罩压板螺钉 M4×4	1
68	8700 AM0904008DN		SCREW M4x8	排屑罩螺钉 M4×8	2
69	8700 AM0904006DN		SCREW M4x6	排屑罩 (左) 紧固螺钉 M4×6	2
70	7700 AM0304004HO		SET SCREW M4x4	弯针罩铰链轴螺钉 M4×4	1
71	8700 AM0904006DN		SCREW M4x6	弯针罩导板螺钉 M4×6	1
72	8700 AM0904006DN		SCREW M4x6	缝台横盖螺钉 M4×6	2
73	7700 DP0204308BO		WASHER 4	缝台罩垫圈 4	3
74	7700 AM0904006HO		SCREW M4x6	缝台罩紧固螺钉 M4×6	3
75	7700 AM0303003HO		SCREW M3x3	缝台铰链轴紧圈紧固螺钉 M3×3	1
76	7700 DP0204308BO		WASHER 4	缝台开闭簧垫圈 4	2
77	7700 AM0104008DO		SCREW M4x8	缝台开闭簧紧固螺钉 M4×8	2
78	7700 AM0304006HO		SCREW M4x6	缝台偏心套紧固螺钉 M4×6	1
79	7700 37007305	ab	RUBBER PLUG	链线弯针进出轴孔油塞	1
80	8700 AM0904008DN		SCREW M4x8	主送料调节盖螺钉 M4×8	6
81	7700 70005720	c	THREADING DIAGRAM B (7716)	穿线图B (7716)	1
82	7700 AM0904008DO		SCREW M4x8	弯针罩开闭限位挡块螺钉 M4×8	2

### 3. THREAD TENSION ASSEMBLY 过线部件

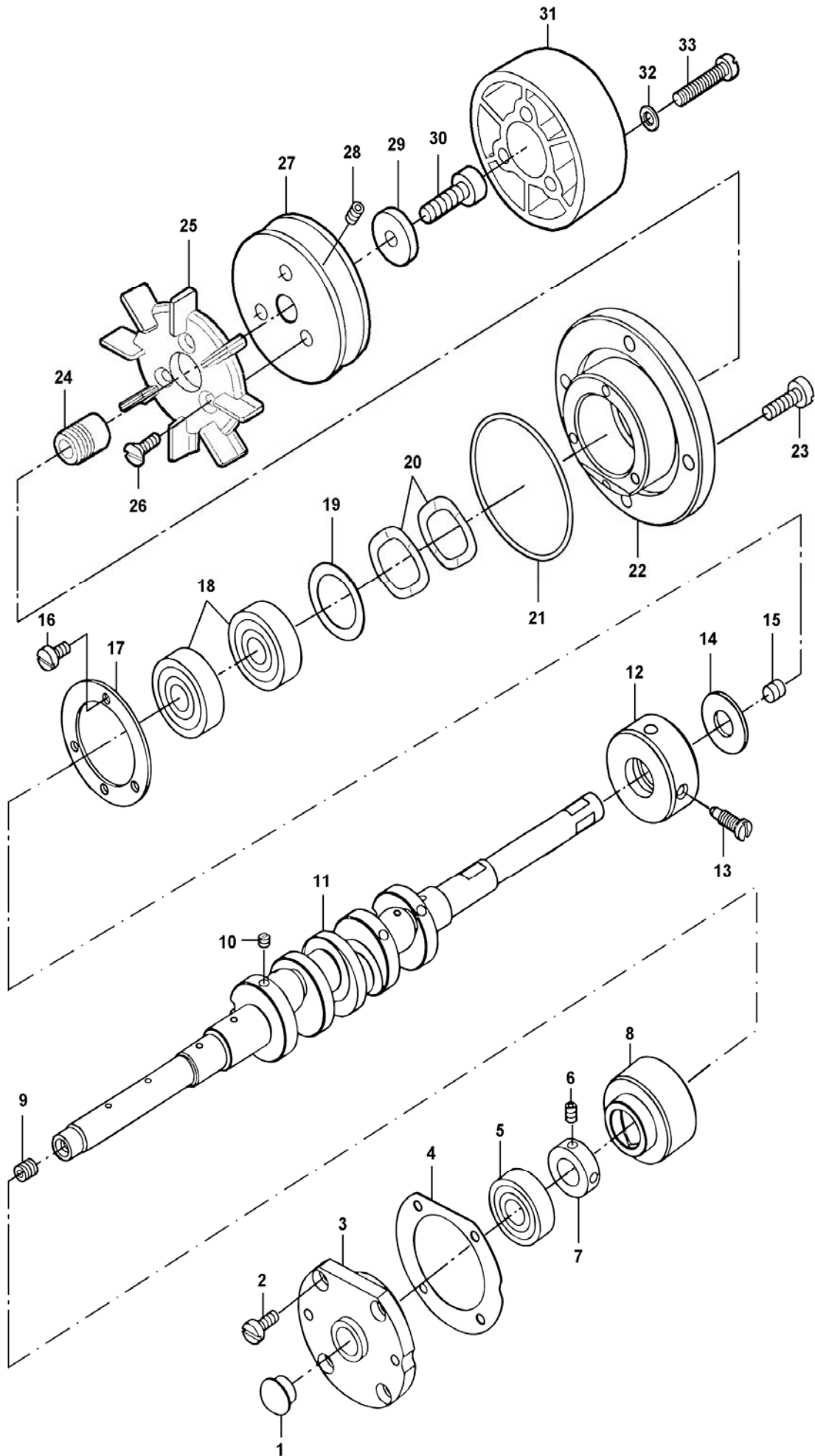




### 3. THREAD TENSION ASSEMBLY 过线部件

No.	Part No.	Note	Name	名称	Qty.
1	7700 70038028		CENTER THREAD GUIDE	过线板	1
2	8700 87038183DA		TENSION SPRING ASM., RED	压线器组件(红)	1
3	8700 87038134DA		THREAD TENSION KNOB, RED	压线螺母(红)	1
4	7700 70038727		TENSION SPRING BUSHING	压线压簧圈	1
5	7700 70038520		TENSION SPRING, RED	机针线压线簧(红)	1
6	7700 77038925DA		TENSION DISK PRESSER	压线簧座	1
7	7700 70039204		THREAD TENSION SPRING FELT	压线簧座毡垫	1
8	7700 70039329		THREAD TENSION DISK	压线板	2
9	7700 70039024		THREAD TENSION RUBBER	压线螺钉橡胶座	1
10	7700 70039428		TENSION POST	压线器螺钉	1
11	8700 87038282DA		TENSION SPRING ASM., YELLOW	压线器组件(黄)	1
12	8700 87038233DA		THREAD TENSION KNOB, YELLOW	压线螺母(黄)	1
13	7700 70038727		TENSION SPRING BUSHING	压线压簧圈	1
14	7700 70038628		TENSION SPRING, YELLOW	弯针线压线簧(黄)	1
15	7700 77038925DA		TENSION DISK PRESSER	压线簧座	1
16	7700 70039204		THREAD TENSION SPRING FELT	压线簧座毡垫	1
17	7700 70039329		THREAD TENSION DISK	压线板	2
18	7700 70039024		THREAD TENSION RUBBER	压线螺钉橡胶座	1
19	7700 70039428		TENSION POST	压线器螺钉	1
20	8700 87038381DA		TENSION SPRING ASM., BLUE	压线器组件(蓝)	1
21	8700 87038332DA		THREAD TENSION KNOB, BLUE	压线螺母(蓝)	1
22	7700 70038727		TENSION SPRING BUSHING	压线压簧圈	1
23	7700 70038826		TENSION SPRING, BLUE	弯针线压线簧(蓝)	1
24	7700 77038925DA		TENSION DISK PRESSER	压线簧座	1
25	7700 70039204		THREAD TENSION SPRING FELT	压线簧座毡垫	1
26	7700 70039329		THREAD TENSION DISK	压线板	2
27	7700 70039024		THREAD TENSION RUBBER	压线螺钉橡胶座	1
28	7700 70039428		TENSION POST	压线器螺钉	1
29	8700 87038480DA	c	TENSION SPRING ASM., GREEN	压线器组件(绿)	1
30	8700 87038431DA	c	THREAD TENSION KNOB, GREEN	压线螺母(绿)	1
31	7700 70038727	c	TENSION SPRING BUSHING	压线压簧圈	1
32	7700 70038520	c	TENSION SPRING, RED	机针线压线簧(红)	1
33	7700 77038925DA	c	TENSION DISK PRESSER	压线簧座	1
34	7700 70039204	c	THREAD TENSION SPRING FELT	压线簧座毡垫	1
35	7700 70039329	c	THREAD TENSION DISK	压线板	2
36	7700 70039024	c	THREAD TENSION RUBBER	压线螺钉橡胶座	1
37	7700 70039428	c	TENSION POST	压线器螺钉	1
38	7700 70039501		THREAD GUIDE	机针线过线板	1
39	7700 70039600		THREAD GUIDE	弯针线过线板	2
40	7700 70015303	c	NEEDLE THREAD GUIDE (7716)	机针线导向板(7716)	1
41	7700 70016301	c	TAKEUP LEVER GUIDE,CHAIN LOOP	链线机针线导向板	1
42	8700 AM0904006DN		SCREW M4x6	机针线导向板螺钉 M4×6	1
43	7700 77015105DA	c	THREAD GUIDE,CHAIN LOOP (7716)	机针线挑线杆过线板(7716)	1
44	8700 AM0104006DN		SCREW M4x6	机针线挑线杆过线板螺钉 M4×6	2
45	7700 70015402	b	NEEDLE THREAD GUIDE (7704, 7714)	机针线导向板(7704, 7714)	1
46	7700 77015006DA	b	NEEDLE THREAD GUIDE,2NEEDLE (7714)	机针线挑线杆过线板(7714)	1
47	7700 70015402	a	NEEDLE THREAD GUIDE (7704, 7714)	机针线导向板(7704, 7714)	1
48	7700 77014900DA	a	NEEDLE THREAD GUIDE (7704)	机针线挑线杆过线板(7704)	1
49	7700 70014801	c	TAKEUP LEVER,CHAIN LOOP (7716)	机针线挑线杆(7716)	1
50	7700 70014702	b	TAKEUP LEVER,2NEEDLE (7714)	机针线挑线杆(7714)	1
51	7700 70014603	a	TAKEUP LEVER (7704)	机针线挑线杆(7704)	1
52	8700 AM0104008DN		SCREW M4x8	机针线挑线杆螺钉 M4×8	2
53	7700 70031201	c	LOOPER THREAD CONDUIT GUIDE	链线弯针线导线板	1
54	8700 AM0106008DN	c	SCREW M6x8	链线弯针线导线板螺钉 M6×8	1
55	8700 87031300DA	c	LOOPER THREAD CONDUIT	链线弯针线导线管	1
56	8700 AM0104008DN	c	SCREW M4x8	链线弯针线导线管夹头螺钉 M4×8	1
57	8700 87031409DA	c	INSTALLING BASE	链线弯针线管夹头	1
58	7700 70040004	c	HUT	链线压线螺母	1
59	7700 70038727	c	ROTATION STOPPER	压线压簧圈	1
60	7700 70039907	c	TENSION SPRING	链线压线簧	1
61	7700 70039204	c	THREAD TENSION FELT	压线簧座毡垫	1
62	7700 70039329	c	THREAD TENSION DISK	压线板	2
63	7700 70039808	c	TENSION POST	链线压线螺钉	1
64	7700 70039709	c	THREAD GUIDE	链线压线器过线板	1
65	7700 37010705	c	THREAD TENSION COLLER	链线夹线器螺钉垫圈	1
66	7700 70030559	c	THREAD GUIDE ASM.	链线弯针线量调节器组件	1
67	7700 70030658	c	THREAD GUIDE BASE ASM.	链线弯针线量调节器座组件	1
68	7700 37013907	c	HINGE SCREW M4x4.5	链线弯针线量调节器轴位螺钉 M4×4.5	1
69	7700 37017502	c	SCREW M3x3.9	链线弯针线量调节器螺钉 M3×3.9	2
70	7700 70030906	c	THREAD GUIDE	链线弯针线量调节板	2
71	7700 70030807	c	LOOPER THREAD CAM CLAW	链线弯针线拦线板	1
72	7700 AM0104008DO	c	SCREW M4x8	链线弯针线量夹板螺钉 M4×8	1
73	7700 DB0306405TO	c	WAVED WASHER 6.4x11x0.3	链线弯针线量调节器波形弹性垫圈 6.4×11×0.3	1
74	7700 70030252	c	LOOPER THREAD CAM ASM.	链线弯针线挑线凸轮组件	1
75	7700 70030104	c	LOOPER THREAD CAM SHAFT	链线弯针线挑线凸轮轴	1
76	7700 AM0303003HO	c	SCREW M3x3	链线弯针线挑线凸轮组件紧定螺钉 M3×3	2
77	7700 AM0104008DO	c	SCREW M4x8	链线弯针线量调节器限位块螺钉 M×8	1
78	7700 70031003	c	THREAD GUIDE BASE STOPPER BASE	链线弯针线量调节器限位块	1
79	7700 70031102	c	THREAD GUIDE BASE STOPPER	链线弯针线量调节器锁紧簧	1
80	7700 DP0204308BO	c	WASHER 4	链线弯针线量调节器锁紧簧垫圈 4	1
81	7700 AM0104006DO	c	SCREW M4x6	链线弯针线量调节器锁紧簧螺钉 M4×6	1
82	7700 70031508	c	LOOPER THREAD GUIDE	链线弯针线过线板	1
83	7700 AM0104008DO	c	SCREW M4x8	链线弯针线过线板螺钉 M4×8	1
84	7700 37019300	a	SCREW M5x5	机壳压线器螺钉孔螺钉 M5×5	1

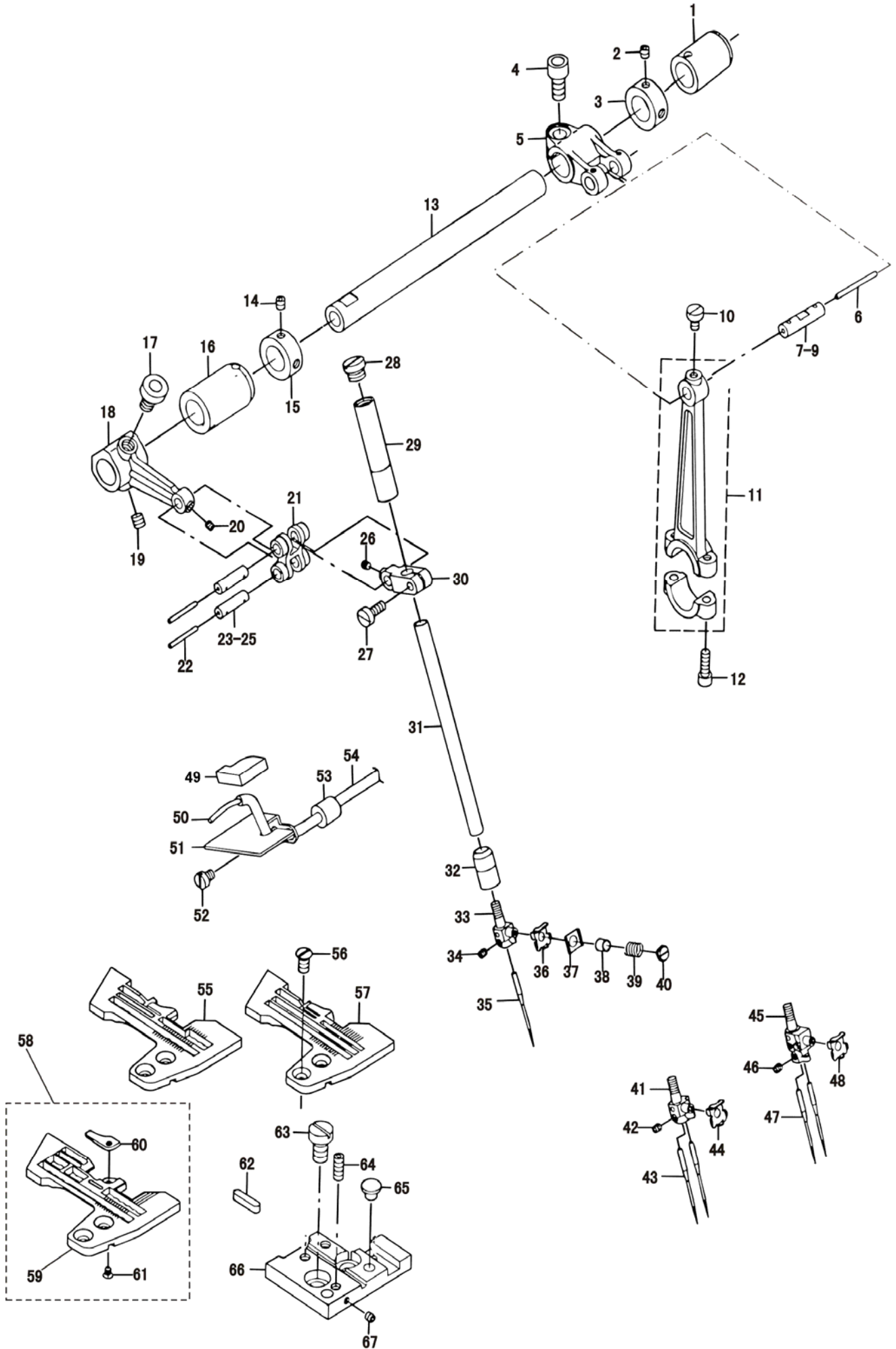
#### 4. CRANKSHAFT ASSEMBLY 主轴部件



#### 4. CRANKSHAFT ASSEMBLY 主轴部件

No.	Part No.	Note	Name	名称	Qty.
1	8700 87007107DA	ab	BUSHING D GASKET PLUG	主轴左轴承座(D) 橡胶塞	1
2	7700 AM0104010DO		SCREW M4x10	主轴左轴承座 (D) 螺钉 M4 × 10	4
3	7700 70011203		CRANKSHAFT BUSHING D	主轴左轴承座 (D)	1
4	7700 70011302		BUSHING D GASKET	主轴左轴承座密封垫	1
5	7700 37004005		BUSHING D BEARING	主轴左轴承座向心球轴承	1
6	7700 AM0304004HO	ab	SET SCREW M4x4	链条偏心供油孔挡圈紧定螺钉M4 × 4	2
7	7700 37000300	ab	SLIDE BLOCK COLLAR	链条偏心供油孔挡圈	1
8	7700 70011122		CRANKSHAFT BUSHING C	主轴左轴承套(C)	1
9	7700 AM0306006HO		SCREW M6x6	主轴油孔封油螺钉A M6 × 6	2
10	7700 AM0504003HN		SCREW M4x3	主轴油孔封油螺钉B M4 × 3	4
11	7700 70010015		CRANKSHAFT	主轴	1
12	7700 70010809		CRANKSHAFT BUSHING B	主轴右轴套(B)	1
13	7700 70010908		SCREW M5x16	主轴右轴套(B) 定位螺钉 M5 × 16	1
14	7700 70010700		BEARING RETAINER	轴承小挡圈	1
15	7700 AM0306006HO		SCREW M6x6	主轴油孔封油螺钉A M6 × 6	1
16	7700 AM0104008DO		SCREW M4x8	主轴右轴承座(A) 盖螺钉M4 × 8	3
17	7700 70010403		BEARING SUPPORT PLATE (A)	主轴右轴承座(A) 盖	1
18	7700 37004104		CRANKSHAFT BEARING	主轴右轴承座向心球轴承	2
19	7700 70010502		BEARING RECEIVIG PLATE	轴承垫圈	1
20	7700 37012909		WASHER	波形弹性垫圈	2
21	7700 37003502		RUBBER RING 50x3.55	主轴右轴承座O形密封圈 50 × 3.55	1
22	7700 70010304		CRANKSHAFT THRUST COLLER (A)	主轴右轴承座 (A)	1
23	7700 AM0105016DO		SCREW M5x16	主轴右轴承座(A) 螺钉 M5 × 16	4
24	7700 70010601		OIL SHIELD	主轴挡油圈	1
25	7700 70011500		RADIATOR FAN	冷却风扇	1
26	7700 37021207		SCREW M5x10	冷却风扇螺钉 M5 × 10	3
27	7700 70010205		HAND WHEEL (A)	带轮 (A)	1
28	7700 AM0306012HO		SCREW M6x12	带轮 (A) 定位螺钉 M6 × 12	2
29	7700 37011000		WASHER	带轮 (A) 垫圈	1
30	7700 AM0206025HO		SCREW M6x25	带轮 (A) 吊紧螺钉 M6 × 25	1
31	7700 77010106DA		HAND WHEEL B	手轮 (B)	1
32	8700 87010606DA		WASHER 5	手轮 (B) 垫圈 5	3
33	8700 87019706DA		SCREW M5x30	手轮 (B) 螺钉 M5 × 30	3

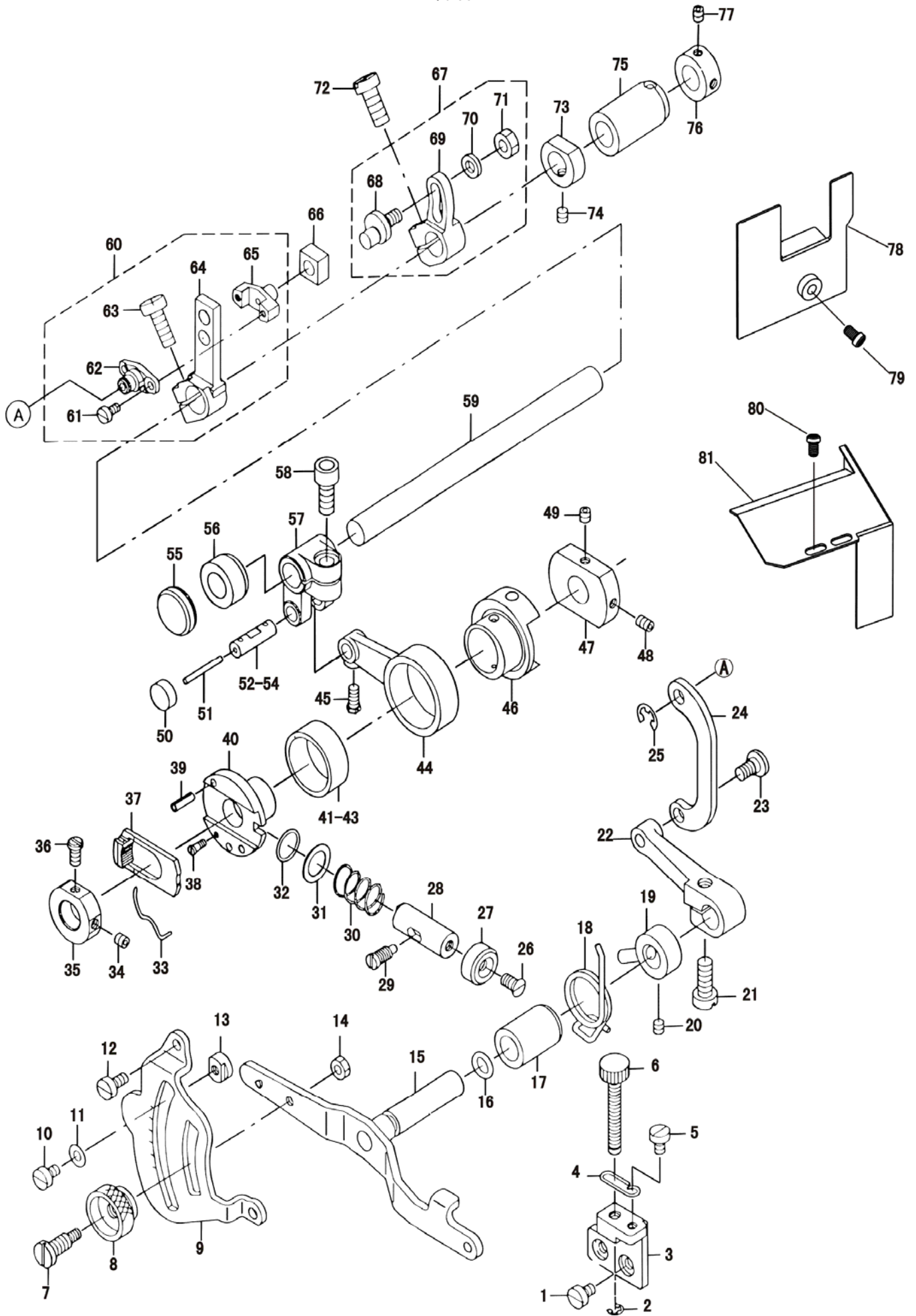
# 5. NEEDLE DRIVING SHAFT ASSEMBLY 针杆部件



## 5. NEEDLE DRIVING SHAFT ASSEMBLY 针杆部件

No.	Part No.	Note	Name	名称	Qty.
1	7700 70013001		BUSHING,REAR	针杆驱动轴后轴套	1
2	7700 AM0304004HO		SET SCREW M4x4	针杆驱动轴紧圈紧定螺钉 M4 x 4	2
3	7700 37000409		THRUST COLLAR	针杆驱动轴紧圈	1
4	7700 AM0206012HO		SCREW M6x12	针杆摇杆螺钉 M6 x 12	1
5	7700 70012607		NEEDLE DRIVING FORKED CRANK	针杆摇杆	1
6	7700 YX200100		OIL WICK	针杆连杆销油芯	0.05
7	7700 70016202	d	CRANK PIN A	针杆连杆销A	(1)
8	7700 70016400	d	CRANK PIN B	针杆连杆销B	(1)
9	7700 70016509	d	CRANK PIN C	针杆连杆销C	(1)
10	7700 AM0104006DO		SCREW M4x6	针杆连杆销紧定螺钉 M4 x 6	1
11	7700 70012508		NEEDLE DRIVING ROD	针杆连杆	1
12	7700 AM0204012HO		SCREW M4x12	针杆连杆螺钉 M4 x 12	2
13	7700 70012805		NEEDLE DRIVING SHAFT	针杆驱动轴	1
14	7700 AM0304004HO		SET SCREW M4x4	针杆驱动轴紧圈紧定螺钉 M4 x 4	2
15	7700 37000409		THRUST COLLAR	针杆驱动轴紧圈	1
16	7700 70012904		BUSHING,FRONT	针杆驱动轴前轴套	1
17	7700 77001003DA		SCREW M6x10	针杆曲柄螺钉 M6 x 10	1
18	7700 70013209		NEEDLE DRIVING ARM	针杆曲柄	1
19	7700 AM0305005HO		SCREW M5x5	针杆曲柄紧定螺钉 M5 x 5	1
20	7700 AM0303003HO		SCREW M3x3	针杆小连杆紧定螺钉 M3 x 3	1
21	7700 70013308		NEEDLE DRIVING LINK	针杆小连杆	1
22	7700 YX200100		OIL WICK	针杆小连杆销油芯	0.04
23	7700 70012003	d	LINK PIN A	针杆小连杆销A	(2)
24	7700 70012102	d	LINK PIN B	针杆小连杆销B	(2)
25	7700 70012201	d	LINK PIN C	针杆小连杆销C	(2)
26	7700 AM0303003HO		SCREW M3x3	针杆小连杆销紧定螺钉 M3 x 3	1
27	7700 AM0104010DO		SCREW M4x10	针杆连轴节螺钉 M4 x 10	1
28	7700 37020605		SCREW M8x1x4.5	针杆上轴套螺钉 M8 x 1 x 4.5	1
29	7700 70013605		NEEDLE BAR BUSHING,UPPER	针杆上轴套	1
30	7700 70013506		NEEDLE BAR HOLDER	针杆连轴节	1
31	7700 70013803		NEEDLE BAR	针杆	1
32	7700 70013902		NEEDLE BAR BUSHING,LOWER	针杆下轴套	1
33	7700 70065001	a	NEEDLE CLAMP	三线针夹	1
34	7700 AM0303003HO		SCREW M3x3	机针螺钉 M3 x 3	1
35	9092 002700 075S		NEEDLE (DCx27 #11)	机针 (DC x 27 #11)	1
36	7700 70016103	a	NEEDLE THREAD PRESSER GUIDE A	机针线小压板座A	1
37	7700 70014207		NEEDLE THREAD PRESSER PLATE A	机针线小压板座	1
38	7700 70014504		THREAD GUIDE COLLAR	机针线小压板套	1
39	7700 70014405		NEEDLE THREAD PRESSER SPRING	机针线小压板簧	1
40	7700 37017205		SCREW M2.5x3	机针线小压板螺钉 M2.5 x 3	1
41	7700 70065100	b	NEEDLE CLAMP,2NEEDLE	四线针夹	1
42	7700 AM0303003HO		SCREW M3x3	机针螺钉 M3 x 3	2
43	9092 002700 075S		NEEDLE (DCx27 #11)	机针 (DC x 27 #11)	2
44	7700 70016103	b	NEEDLE THREAD PRESSER GUIDE A	机针线小压板座A	1
45	7700 70065407	c	NEEDLE CLAMP,CHAIN LOOPER	五线针夹	1
46	7700 AM0303003HO		SCREW M3x3	机针螺钉 M3 x 3	2
47	9092 002700 075S		NEEDLE (DCx27 #11)	机针 (DC x 27 #11)	2
48	7700 70014009	c	NEEDLE THREAD PRESSER GUIDE B	机针线小压板座B	1
49	7700 77015709DA		FELT	针杆回油毛毡	1
50	7700 YX200100		OIL WICK	针杆回油管油芯线	0.32
51	7700 70015600		COVER	针杆回油管罩	1
52	7700 37018104		SCREW M4x5	针杆回油管罩螺钉 M4 x 5	2
53	7700 37007503		PLUG	针杆回油管镶套	1
54	7700 70015808		VINYL TUBE	针杆回油管	0.31
55	7700 70087009	a	THROAT PLATE (7704-O42-M00P)	针板 (7704-O42-M00P)	1
56	7700 37016504		SCREW SM11/64"x40x8	针板螺钉 SM11/64" x 40 x 8	2
57	7700 70087108	b	THROAT PLATE (7714-B43-M00P)	针板 (7714-B43-M00P)	1
58	7700 70087256	c	THROAT PLATE ASM.(7716-C42-M00P)	针板组件 (7716-C42-M00P)	1
59	7700 70087207	c	THROAT PLATE (7716-C42-M00P)	针板 (7716-C42-M00P)	1
60	7700 70085009	c	THROAT PLATE CLAW (7716-C42-M00P)	小针板 (7716-C42-M00P)	(1)
61	7700 AS0706002HO	c	SCREW SM3/32"x56x2.2	小针板螺钉 SM3/32" x 56 x 2.2	(1)
62	7700 70047405		THROAT PLATE POSITIONING KEY	针板定位键	(1)
63	8700 87020308DA		SCREW M6x10	针板垫块螺钉 M6 x 10	2
64	7700 AM0304010HO		SCREW M4x10	缝台锁紧钩限位螺钉 M4 x 10	1
65	7700 70047306		RUBBER PLUG A	针板垫块防震垫	2
66	8700 87047207DA		THROAT PLATE BASE	针板垫块	1
67	7700 AM0303003HO		SCREW M3x3	缝台锁紧钩限位紧定螺钉 M3 x 3	1

# 6. FEED MECHANISM ASSEMBLY (1) 送料部件 (1)

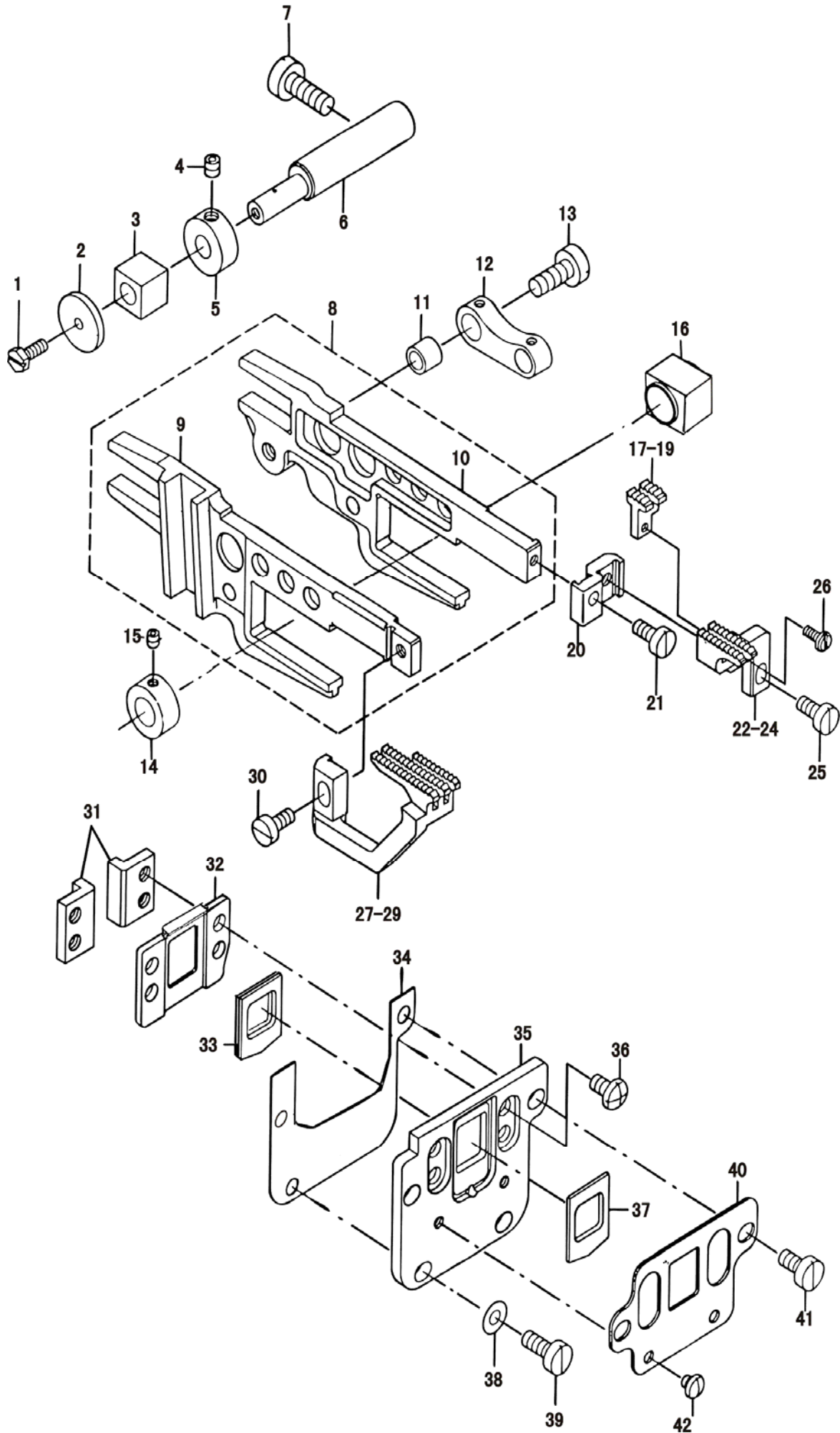


## 6. FEED MECHANISM ASSEMBLY (1) 送料部件 (1)

No.	Part No.	Note	Name	名称	Qty.
1	7700 AM0104006DO		SCREW M4x6	差动微调螺钉座螺钉 M4×6	2
2	7700 DE0703006TZ		ERING 3	差动微调螺栓开口挡圈 3	1
3	7700 70025609		SCREW BASE ASM.	差动微调螺钉座	1
4	7700 70025906		ROTATION STOPPER	差动微调螺栓止动簧	1
5	7700 AM0104006DO		SCREW M4x6	差动微调螺栓止动簧螺钉 M4×6	1
6	7700 70025807		SCREW	差动微调螺栓	1
7	7700 70025401		HINGE SCREW	差动调节扳手锁紧螺钉	1
8	7700 70025500		LOCK NUT	差动调节扳手锁紧螺母	1
9	7700 70025203		DIFFERENTIAL FEED GRADUATION	差动调节刻度板	1
10	7700 AM0104006DO		SCREW M4x6	差动调节扳手限位块螺钉 M4×6	2
11	7700 DP0104508BO		WASHER 4	差动调节扳手限位块垫圈 4	2
12	7700 AM0104008DO		SCREW M4x8	差动调节刻度板螺钉 M4×8	2
13	7700 70025302		STOPPER	差动调节扳手限位块	2
14	7700 BM0204035DO		NUT M4	差动调节扳手锁紧螺钉螺母 M4	1
15	7700 70024572		DIFFERENTIAL FEED SHAFT ASM.	差动调节扳手组件	1
16	7700 37003205		RUBBER RING 10x1.9	差动调节扳手轴O型密封圈 10×1.9	1
17	7700 70024701		BUSHING	差动调节扳手轴套	1
18	7700 70025005		SPRING	差动调节扳手扭簧	1
19	7700 70025153		SPRING HOOK ASM	差动调节扳手轴紧固组件	1
20	7700 AM0304004HO		SET SCREW M4x4	差动调节扳手轴紧固锁定螺钉 M4×4	2
21	7700 37020407		SCREW M6x14	差动调节曲柄螺钉 M6×14	1
22	7700 70024800		DIFFERENTIAL FEED ARM	差动调节曲柄	1
23	7700 37013808		HINGE SCREW	差动连杆轴位螺钉	1
24	7700 70024909		DIFFERENTIAL FEED LINK	差动连杆	1
25	7700 DE0705007TZ		ERING 5	差动送料曲柄滑块盖开口挡圈 5	1
26	7700 37016504		SCREW SM11/64"x40x5.8	送料调节按钮轴B螺钉 SM11/64"×40×5.8	1
27	7700 70027902		PUSH BUTTON SHAFT B	送料调节按钮轴B	1
28	7700 70027803		PUSH BUTTON SHAFT A	送料调节按钮轴A	1
29	7700 70023117		PUSH BUTTON SHAFT SCREW M5x11	送料调节按钮轴导向螺钉 M5×11	1
30	7700 70022804		PUSH BUTTON SPRING	送料调节按钮簧	1
31	7700 70022903		WASHER	送料调节按钮垫圈	1
32	7700 37007404		RUBBER RING	送料调节按钮轴O型密封圈	1
33	7700 70021707		RATCHET PAWL SPRING	送料调节偏心棘轮爪压簧	1
34	7700 AM0304004HO		SET SCREW M4x4	送料调节偏心棘轮锁定螺钉A M4×4	1
35	7700 70021608		RATCHET GEAR	送料调节偏心棘轮	1
36	7700 37018203		RATCHET GEAR SET SCREW B M4x7.5	送料调节偏心棘轮锁定螺钉B M4×7.5	1
37	7700 70021509		RATCHET RAWL	送料调节偏心棘轮爪	1
38	7700 37017304		SCREW M2.5	送料调节偏心棘轮爪压簧吊勾螺钉 M2.5	1
39	7700 37001407		FEED REGULATING PIN	送料调节限位销	2
40	7700 70021301		FEED ADJUSTING CAM	5A送料调节偏心	1
41	7700 70021905	d	FEED BEARING A	送料连杆滚针轴承A	(1)
42	7700 70022002	d	FEED BEARING B	送料连杆滚针轴承B	(1)
43	7700 70022101	d	FEED BEARING C	送料连杆滚针轴承C	(1)
44	7700 70021806		FEED CRANK ROD	送料连杆	1
45	7700 37015100		SCREW M4x8	送料摇杆销锁定螺钉 M4×8	1
46	7700 70021103		FEED CAM	5A送料偏心	1
47	7700 70021004		FEED ECCENTRIC BODY	送料调节偏心座	1
48	7700 AM0304006HO		SCREW M4x6	送料调节偏心座锁定螺钉 M4×6	1
49	7700 AM0304004HO		SET SCREW M4x4	送料调节偏心座锁定螺钉 M4×4	1
50	7700 37006901		RUBBER PLUG	送料连杆销橡胶塞	1
51	7700 YX200100		OIL WICK	送料连杆销油芯	0.04
52	7700 70027407	d	FORKED CRANK PIN A	送料连杆销A	(1)
53	7700 70027506	d	FORKED CRANK PIN B	送料连杆销B	(1)
54	7700 70027605	d	FORKED CRANK PIN C	送料连杆销C	(1)
55	7700 37007305		RUBBER PLUG	送料轴孔油塞	1
56	7700 70022507		FEED SHAFT BUSHING,FRONT	送料轴前轴套	1
57	7700 70022200		FORKED CRANK	送料摇杆	1
58	7700 AM0206014HO		SCREW M6x14	送料摇杆螺钉 M6×14	1
59	7700 70022408		FEED SHAFT	送料轴	1
60	7700 70023950		DIFFERENTIAL FEED ROCKER ASM	差动送料曲柄组件	1
61	7700 AM0103006DO		SCREW M3x6	差动送料曲柄滑块盖螺钉 M3×6	(2)
62	7700 70024107		PIN COVER	差动送料曲柄滑块盖	(1)
63	7700 37020407		SCREW M6x14	差动送料曲柄螺钉 M6×14	(1)
64	7700 70023901		DIFFERENTIAL FEED ROCKER	差动送料曲柄	(1)
65	7700 70024008		PIN	差动送料曲柄滑块	(1)
66	7700 70023703		DIFFERENTIAL FEED SLIDE BLOCK	差动送料牙架滑块	1
67	7700 70023871		MAIN FEED ROCKER ASM.	主送料曲柄组件	1
68	7700 70027021		PIN	主送料曲柄销	(1)
69	7700 70023822		MAIN FEED ROCKER	主送料曲柄	(1)
70	7700 70027120		WASHER	主送料曲柄销垫圈	(1)
71	7700 37008222		NUT M5	主送料曲柄销螺母 M5	(1)
72	7700 37020407		SCREW M6x14	主送料曲柄螺钉 M6×14	1
73	7700 70027308		THRUST COLLAR,THIN	送料轴紧圈(薄)	1
74	7700 AM0304004HO		SET SCREW M4x4	送料轴紧圈锁定螺钉 M4×4	1
75	7700 70022606		FEED SHAFT BUSHING,REAR	送料轴后轴套	1
76	7700 37000201		THRUST COLLAR	送料轴紧圈(厚)	1
77	7700 AM0304004HO		SET SCREW M4x4	送料轴紧圈锁定螺钉 M4×4	2
78	7700 70026674		OIL SHIELD A ASM.	送料牙架挡油板(A)组件	1
79	7700 AM0703006HO		SCREW M3x6	送料牙架挡油板(A)螺钉 M3×6	1
80	7700 37015209		SCREW M4x7.5	送料牙架挡油板螺钉 M4×7.5	2
81	7700 70026724		OIL SHIELD B	送料牙架挡油板(B)	1



# 7. FEED MECHANISM ASSEMBLY (2) 送料部件 (2)

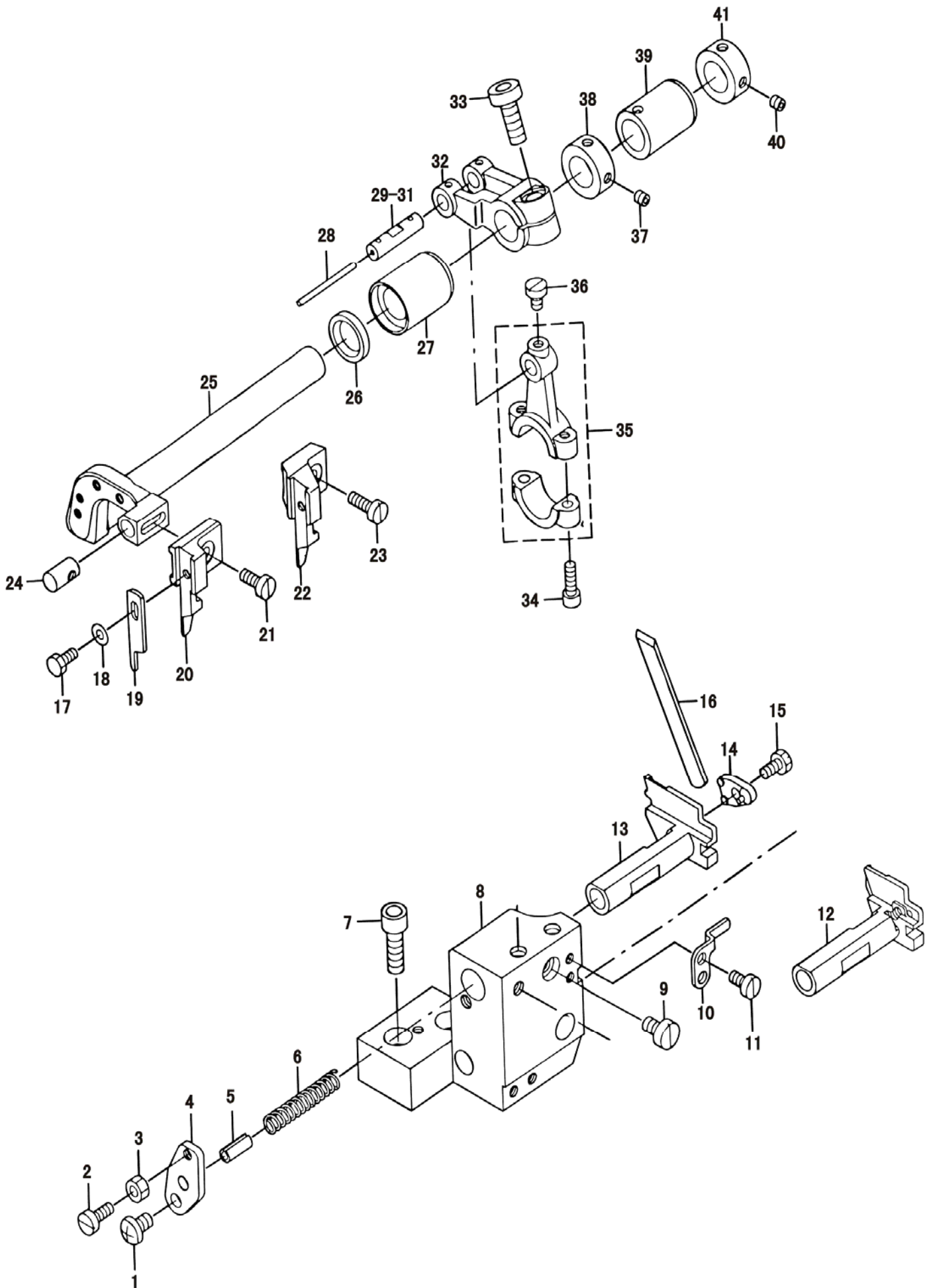




## 7. FEED MECHANISM ASSEMBLY (2) 送料部件 (2)

No.	Part No.	Note	Name	名称	Qty.
1	7700 37024102		SCREW M3x8	牙架支承滑块挡板螺钉 M3x8	1
2	7700 70024404		WASHER	牙架支承滑块挡板	1
3	7700 70024305		SLIDE BLOCK	牙架支承滑块	1
4	7700 AM0304004HO		SET SCREW M4x4	牙架支承偏心轴紧固圈螺钉 M4x4	1
5	7700 37000102		THRUST COLLAR	牙架支承偏心轴紧固圈	1
6	7700 70024214		FEED BAR SHAFT	牙架支承偏心轴	1
7	7700 AM0105014HO		SCREW M5x14	牙架支承偏心轴紧固圈螺钉 M5x14	1
8	7700 70023356		FEED BAR ASM	送料牙架组件	1
9	7700 70023505		DIFFERENTIAL FEED BAR	差动送料牙架	(1)
10	7700 70023307		MAIN FEED BAR	主送料牙架	(1)
11	7700 70027209		MAIN FEED LINK COLLAR	主送料牙架连杆轴套	1
12	7700 70023604		MAIN FEED LINK	主送料牙架连杆	1
13	7700 AS0112012HO		SCREW SM3/16"x28x11.5	主送料牙架连杆螺钉 SM3/16"x28x11.5	1
14	7700 70023021		SLIDE BLOCK COLLAR	抬牙滑块挡圈	1
15	7700 AM0304004HO		SET SCREW M4x4	抬牙滑块挡圈螺钉 M4x4	1
16	7700 70023226		SLIDE BLOCK	抬牙滑块	1
17	7700 70080000	a	AUXILIARY FEED DOG	辅助送料牙	1
18	7700 70080109	b	AUXILIARY FEED DOG (4A)	辅助送料牙 (4A)	1
19	7700 70080208	c	AUXILIARY FEED DOG	辅助送料牙	1
20	7700 70026805		MAIN FEED DOG INSTALLING BASE	主送料牙接板	1
21	7700 AS0109008HO		SCREW SM9/64"x40x7.5	主送料牙接板螺钉 SM9/64"x40x7.5	1
22	7700 70076008	a	MAIN FEED DOG	主送料牙	1
23	7700 70076107	b	MAIN FEED DOG	主送料牙	1
24	7700 70076206	c	MAIN FEED DOG	主送料牙	1
25	7700 AS0109008HO		SCREW SM9/64"x40x7.5	主送料牙螺钉 SM9/64"x40x7.5	1
26	7700 37016009		SCREW SM3/32"x56x6	辅助送料牙螺钉 SM3/32"x56x6	1
27	7700 70078004	a	DIFFERENTIAL FEED DOG	差动送料牙	1
28	7700 70078103	b	DIFFERENTIAL FEED DOG	差动送料牙	1
29	7700 70078202	c	DIFFERENTIAL FEED DOG	差动送料牙	1
30	7700 AS0109008HO		SCREW SM9/64"x40x7.5	差动送料牙螺钉 SM9/64"x40x7.5	1
31	7700 70026528		FEED BAR SUPPORT	送料牙架左右导向板	2
32	7700 70026427		PRESSER PLATE	送料牙架挡油橡胶片座	1
33	7700 70026300		OIL SHIELD RUBBER	送料牙架挡油橡胶片	2
34	7700 70026924		DUST GUARD RUBBER CASE GASKET	送料牙架防尘橡胶片座密封垫	1
35	7700 70026023		DUST GUARD RUBBER CASE	送料牙架防尘橡胶片座	1
36	7700 AM0904007HO		SCREW M4x7	送料牙架左右导向板螺钉 M4x7	4
37	7700 70026102		DUST GUARD RUBBER	送料牙架防尘橡胶片	1
38	7700 DP0204308BO		WASHER 4	送料牙架防尘橡胶片座垫圈 4	2
39	7700 AM0104010HO		SCREW M4x10	送料牙架防尘橡胶片座螺钉 M4x10	2
40	7700 70026201		PRESSER PLATE	送料牙架防尘橡胶片压板	1
41	7700 AM0104010HO		SCREW M4x10	送料牙架防尘橡胶片座螺钉 M4x10	2
42	7700 37017502		SCREW M3x3.9	送料牙架防尘橡胶片压板螺钉 M3x3.9	2

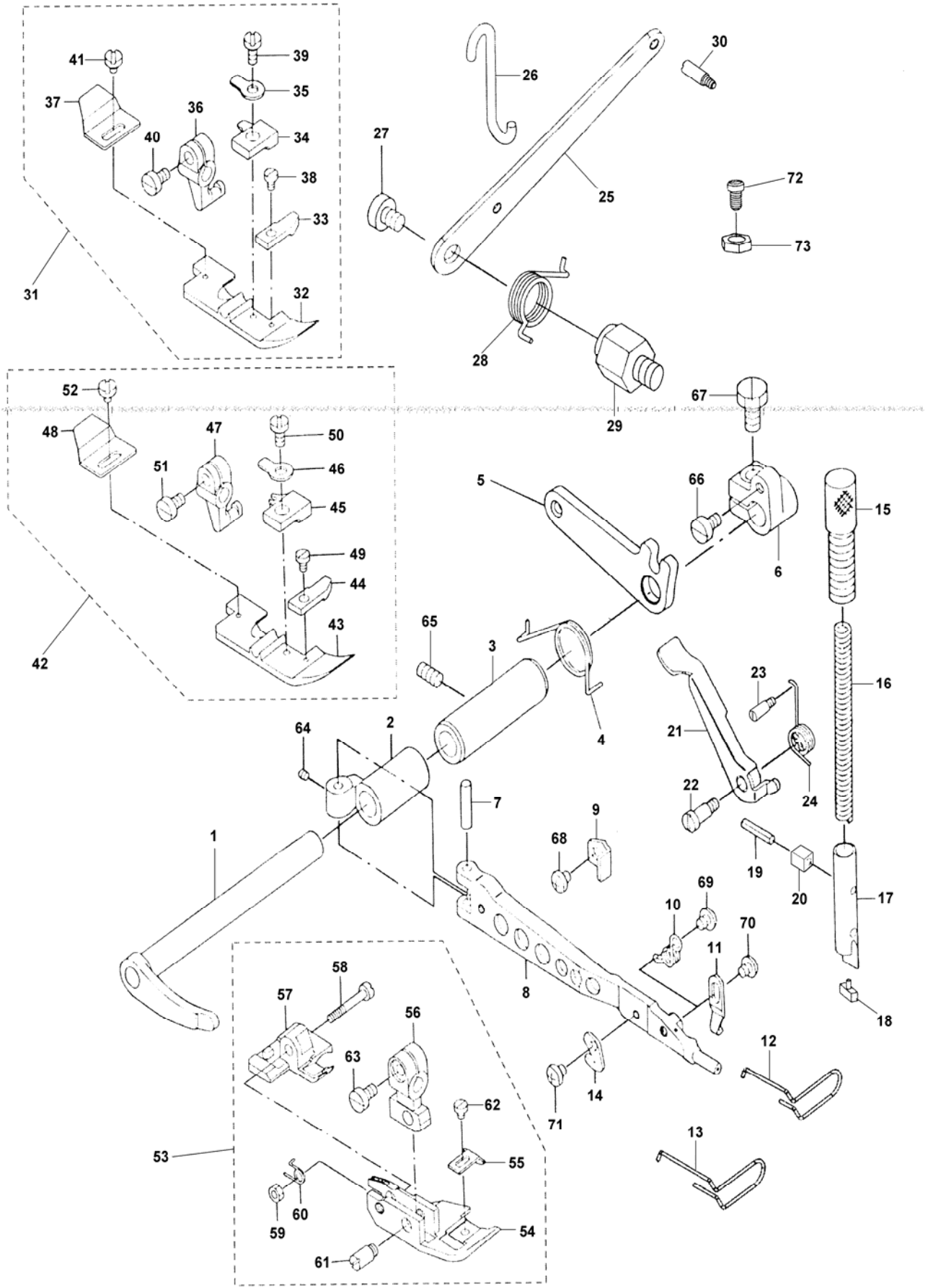
# 8. KNIFE ASSEMBLY 切刀部件



## 8. KNIFE ASSEMBLY 切刀部件

No.	Part No.	Note	Name	名称	Qty.
1	8700 AM0905008DN		SCREW M5x8	下刀压簧压板螺钉 M5×8	1
2	8700 AM0104010DN		SCREW M4x10	缝台限位螺钉 M4×10	1
3	8700 BM0204035DN		NUT M4	缝台限位螺母 M4	1
4	8700 87046308DA		STOPPER PLATE	下刀压簧压板	1
5	8700 87001605DA		GUIDE PIN	下刀压簧导销	1
6	7700 70046209		SPRING	下刀压簧	1
7	8700 AM0206018HN		SCREW M6x18	下刀架座螺钉 M6×18	2
8	8700 87045904DA		LOWER KNIFE BRACKET	下刀架座	1
9	8700 AM0105008DN		SCREW M5x8	下刀架螺钉 M5×8	1
10	8700 87046407DA		ROTATING STOPPER	下刀架限位板	1
11	8700 AM0104008DN		SCREW M4x8	下刀架限位板螺钉 M4×8	2
12	8700 87046100DA	c	LOWER KNIFE SLIDE STUD	五线下刀架	1
13	8700 87046001DA	ab	LOWER KNIFE SLIDE STUD	三四线下刀架	1
14	8700 87046605DA		LOWER KNIFE HOLDER	下刀压板	1
15	8700 AM1204008DN		SCREW M4x8	下刀螺钉 M4×8	1
16	7700 70047504		LOWER KNIFE	下刀	1
17	8700 AS1109008HN		SCREW SM9/64"×40x8	上刀螺栓 SM9/64"×40×8	1
18	8700 DP0203703BN		WASHER 3.7x8x0.3	上刀垫圈 3.7×8×0.3	1
19	7700 70045508		KNIFE	上刀	1
20	7700 70045607	ab	UPPER KNIFE SUPPORT (8704、8714)	上刀托 (8704、8714)	1
21	8700 AM0104010DN	ab	SCREW M4x10	上刀托螺钉 M4×10	1
22	7700 70045706	c	UPPER KNIFE SUPPORT (8716)	上刀托 (8716)	1
23	8700 AM0104012DN	c	SCREW M4x12	上刀托螺钉 M4×12	1
24	7700 70045805		UPPER KNIFE GUIDE SHAFT	上刀托固定销	1
25	7700 70045201		KNIFE DRIVING ARM SHAFT	上刀轴	1
26	7700 37005606		OIL SEAL	上刀轴油封	1
27	7700 70045300		BUSHING,FRONT	上刀轴左轴套	1
28	7700 YX200100		OIL WICK	上刀连杆销油芯	0.05
29	7700 70016202	d	CRANK PIN A	上刀连杆销A	(1)
30	7700 70016400	d	CRANK PIN B	上刀连杆销B	(1)
31	7700 70016509	d	CRANK PIN C	上刀连杆销C	(1)
32	7700 70045102		UPPER KNIFE FORK ARM	上刀摇杆	1
33	7700 AM0206016HO		SCREW M6x16	上刀摇杆螺钉 M6×16	1
34	7700 AM0204012HO		SCREW M4x12	上刀连杆螺钉 M4×12	2
35	7700 70045003		UPPER KNIFE ROD	上刀连杆	1
36	7700 AM0104006DO		SCREW M4x6	上刀连杆销紧定螺钉 M4×6	1
37	7700 AM0304004HO		SET SCREW M4x4	上刀轴紧圈紧定螺钉 (左) M4×4	2
38	7700 37000409		THRUST COLLAR	上刀轴紧圈 (左)	1
39	7700 70013001		BUSHING,REAR	上刀轴右轴套	1
40	7700 AM0304004HO		SET SCREW M4x4	上刀轴紧圈紧定螺钉 (右) M4×4	2
41	7700 37000409		THRUST COLLAR	上刀轴紧圈	1

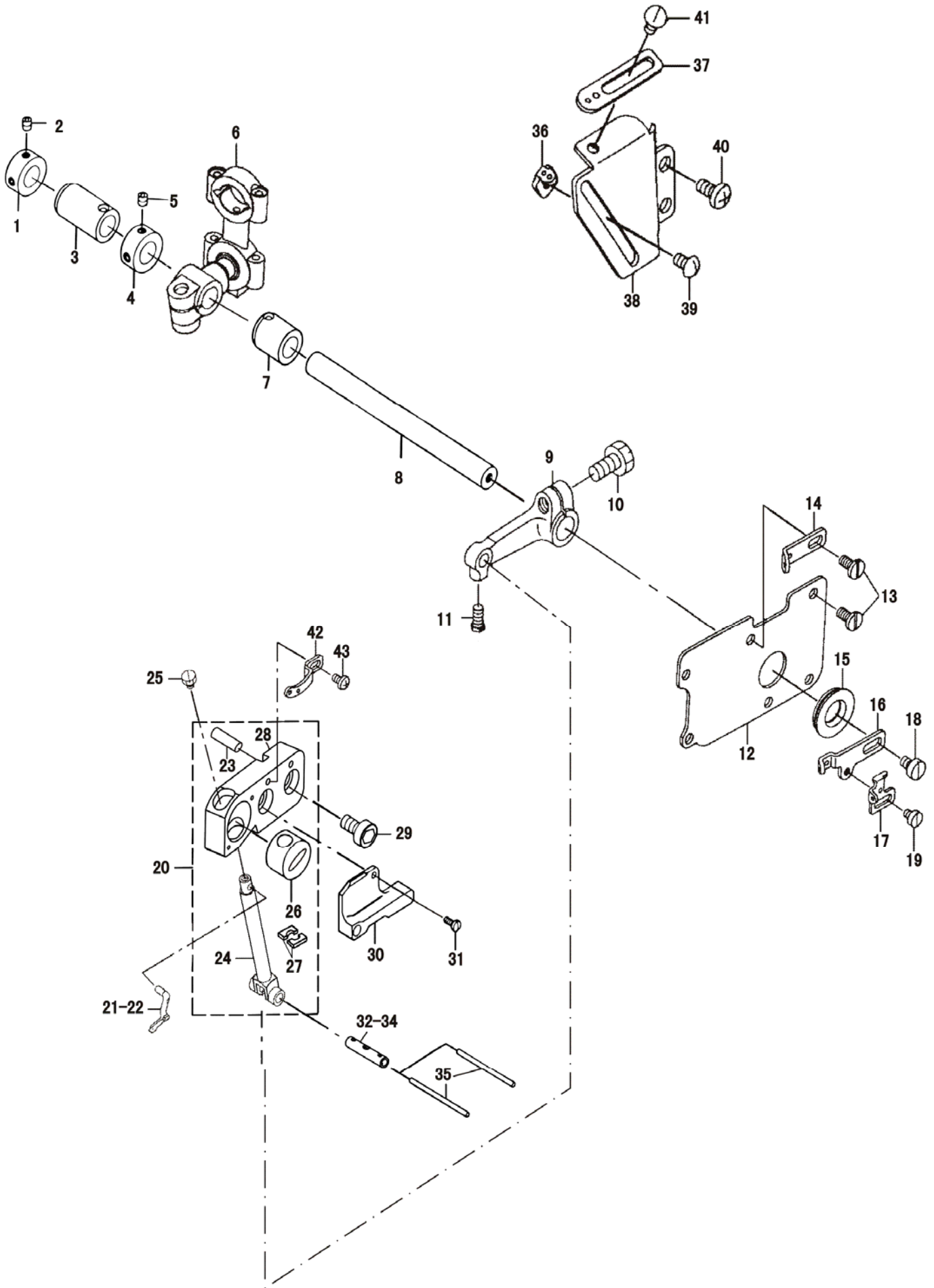
# 9. PRESSER FOOT ASSEMBLY 压脚部件



## 9. PRESSER FOOT ASSEMBLY 压脚部件

No.	Part No.	Note	Name	名称	Qty.
1	7700 70017507		PRESSER FOOT SHAFT	压脚轴	1
2	8700 87018000DA		PRESSER FOOT SHAFT ARM	抬压脚轴接套	1
3	7700 70017606		BUSHING	压脚轴套	1
4	8700 87017804DA		SPRING	抬压脚杠杆簧	1
5	8700 87017725DA		LIFTING ARM	抬压脚杠杆	1
6	8700 87017903DA		THRUST ARM	抬压脚曲柄	1
7	7700 70018109		PRESSER FOOT ARM HINGE SHAFT	压脚臂销	1
8	7700 70018208		PRESSER FOOT ARM	压脚臂	1
9	8700 87020006DA		STOPPER	压脚臂限位板	1
10	8700 87019800DA	c	PRESSER FOOT ARM SPRING	五线压脚扭簧	1
11	8700 87019701DA	ab	STOPPER	三四线压脚限位板	1
12	8700 87067720DA	ab	FINGER GUARD	三、四线护指钢丝	1
13	8700 87001002DA	c	FINGER GUARD	五线护指钢丝	1
14	8700 87019602DA		THREAD TRIMMER	割线刀	1
15	7700 70018802		PRESSER REGULATOR SCREW M10x1	压脚调压螺钉 M10×1	1
16	7700 70018703		PRESSER SPRING	压脚簧	1
17	7700 70018414		PRESSER BAR	压脚压杆	1
18	7700 70018513		PRESSER BAR BLOCK	压脚压销	1
19	7700 37001506		PRESSER BAR LIFTING PIN	压脚压杆导向块销	1
20	7700 70018604		LIFTING PIN BLOCK	压脚压杆导向块	1
21	7700 70018950		PRESSER LIFTING LEVER ASM	压脚扳手组件	1
22	8700 87013600DA		HINGE SCREW M4x5	压脚扳手轴位螺钉 M4×5	1
23	8700 87019216DA		STOPPER M4x4	压脚扳手限位螺钉 M4×4	1
24	8700 87019107DA		SPRING	压脚扳手扭簧	1
25	8700 87019424DA		PRESSER FOOT LIFTING LEVER	抬压脚扳手	1
26	8700 87019325DA		LEVER HOOK	抬压脚扳手吊钩	1
27	8700 87020323DA		SCREW M6x8	抬压脚扳手螺钉 M6×8	1
28	8700 87020224DA		LIFTING LEVER SPRING	抬压脚扳手扭簧	1
29	8700 87020125DA		HINGE SCREW M10x1x8	抬压脚扳手轴位螺钉 M10×1×8	1
30	8700 87020422DA		SCREW M6x8	抬压脚扳手限位螺钉(上) M6×8	1
31	8700 87066058DA	a	PRESSER FOOT ASM.	三线压脚组件	1
32	7700 70067007	a	PRESSER FOOT	压脚底板	(1)
33	7700 70067106	a	GURL GUARD	辅助压脚	(1)
34	7700 70067205	a	STITCH TONGUE	压脚编结导块	(1)
35	8700 87067403DA	a	SPRING	三、四线压脚柄压簧	(1)
36	7700 70067304	a	PRESSER FOOT HINGE	三、四线压脚柄	(1)
37	7700 70067502	a	REAR PRESSER FOOT	线辨挡板	(1)
38	8700 AS0106004HN	a	SCREW SM3/32"x56x3.5	三四线辅助压脚螺钉 SM3/32"×56×3.5	(1)
39	8700 87016306DA	a	SCREW SM1/8"x44x5.2	压脚编结导块螺钉 SM1/8"×44×5.2	(1)
40	8700 AS0109006HN	a	SCREW SM9/64"x40x6	压脚柄螺钉 SM9/64"×40×6	(1)
41	8700 87016207DA	a	SCREW SM3/32"x56x2.7	线辨挡板螺钉 SM3/32"×56×2.7	(1)
42	8700 87066553DA	b	PRESSER FOOT ASM.	四线压脚组件	1
43	7700 70067809	b	PRESSER FOOT	压脚底板	(1)
44	7700 70067106	b	GURL GUARD	辅助压脚	(1)
45	7700 70067908	b	STITCH TONGUE	压脚编结导块	(1)
46	8700 87067403DA	b	SPRING	三、四线压脚柄压簧	(1)
47	7700 70067304	b	PRESSER FOOT HINGE	三、四线压脚柄	(1)
48	7700 70067502	b	REAR PRESSER FOOT	线辨挡板	(1)
49	8700 AS0106004HN	b	SCREW SM3/32"x56x3.5	三四线辅助压脚螺钉 SM3/32"×56×3.5	(1)
50	8700 87016306DA	b	SCREW SM1/8"x44x5.2	压脚编结导块螺钉 SM1/8"×44×5.2	(1)
51	8700 AS0109006HN	b	SCREW SM9/64"x40x6	压脚柄螺钉 SM9/64"×40×6	(1)
52	8700 87016207DA	b	SCREW SM3/32"x56x2.7	线辨挡板螺钉 SM3/32"×56×2.7	(1)
53	8700 87070050DA	c	PRESSER FOOT ASM.	五线压脚组件	1
54	7700 70071009	c	PRESSER FOOT	压脚底板	(1)
55	7700 70071405	c	CLOTH PRESSER	五线辅助压脚	(1)
56	7700 70071108	c	PRESSER FOOT HINGE (5B)	五线压脚柄(5B)	(1)
57	7700 70071207	c	REAR PRESSER FOOT	后压脚	(1)
58	7700 70071504	c	HINGE SCREW(5A) SM1/8"x44x5.7	压脚轴位螺钉(5A) SM1/8"×44×5.7	(1)
59	8700 BS0208020DN	c	NUT(5A) SM1/8"x44	压脚轴位螺钉螺母(5A) SM1/8"×44	(1)
60	8700 87071603DA	c	SPRING(5A)	小压脚扭簧(5A)	(1)
61	7700 70071306	c	HINGE PIN SCREW(5A) SM1/8"x44x2	压脚无头轴位螺钉(5A) SM1/8"×44×2	(1)
62	8700 AS0106003HN	c	SCREW SM3/32"x56x2.5	五线辅助压脚螺钉 SM3/32"×56×2.5	(1)
63	8700 AS0109006HN	c	SCREW SM9/64"x40x6	压脚柄螺钉 SM9/64"×40×6	(1)
64	7700 AM0303003HO		SCREW M3x3	压脚臂轴销紧定螺钉 M3×3	1
65	7700 AM0305010HO		SCREW M5x10	压脚轴套螺钉 M5×10	1
66	8700 AS0111007HN		SCREW SM11/64"x40x6.5	抬压脚曲柄销螺钉 SM11/64"×40×6.5	1
67	8700 87014622DA		SCREW SM15/64"x28x11.8	抬压脚曲柄螺钉 SM15/64"×28×11.8	1
68	8700 87018005DA		SCREW M4x4	压脚臂限位板螺钉 M4×4	1
69	8700 87018005DA	c	SCREW M4x4	五线压脚扭簧螺钉 M4×4	1
70	8700 87018005DA	ab	SCREW M4x4	三、四线压脚限位板螺钉 M4×5	1
71	8700 87018005DA		SCREW M4x4	割线刀螺钉 M4×4	1
72	8700 AM0106014DN		SCREW M6x14	抬压脚杠杆限位螺钉(下) M6×14	1
73	8700 BM0206045DN		NUT M6	抬压脚杠杆限位螺母(下) M6	1

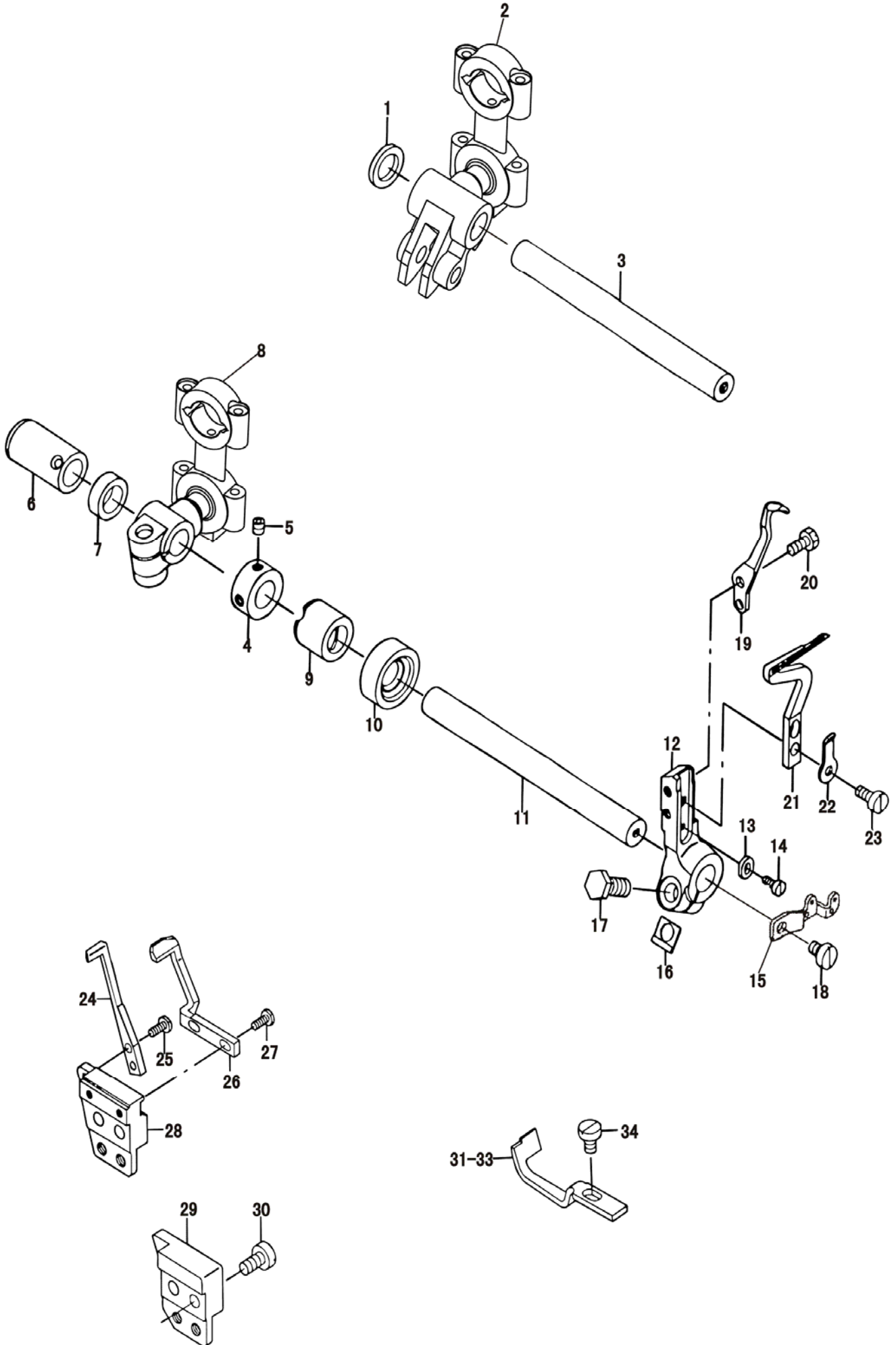
# 10. UPPER LOOPER ASSEMBLY 上弯针部件



## 10. UPPER LOOPER ASSEMBLY 上弯针部件

No.	Part No.	Note	Name	名称	Qty.
1	7700 37000201		THRUST COLLAR	上弯针轴紧圈	1
2	7700 AM0304004HO		SET SCREW M4x4	上弯针轴紧圈紧定螺钉 M4 x 4	2
3	7700 70029502		BUSHING,REAR	弯针轴后轴套	1
4	7700 37000201		THRUST COLLAR	上弯针轴紧圈	1
5	7700 AM0304004HO		SET SCREW M4x4	上弯针轴紧圈紧定螺钉 M4 x 4	2
6	7700 70033157		UPPER LOOPER BALL HOLDER ASM	上弯针球曲柄组件	1
7	7700 70029403		BUSHING,FRONT	弯针轴前轴套	1
8	7700 70034205		LOOPER SHAFT	上弯针轴	1
9	7700 70033405		LOOPER HOLDER	上弯针摇杆	1
10	7700 37013226		SCREW M6x11.8	上弯针摇杆螺钉 M6 x 11.8	1
11	7700 37015100		SCREW M4x8	上弯针滑杆销螺钉 M4 x 8	1
12	7700 70034700		OIL SHIELD	上弯针导套座挡油板	1
13	7700 37015209		SCREW M4x7.5	上弯针导套座挡油板螺钉 M4 x 7.5	6
14	7700 77036507DA		THREAD GUIDE,MIDDLE	上弯针过线(中)	1
15	7700 70034809		UPPER LOOPER SHAFT BUBBER RING	上弯针轴橡胶圈	1
16	7700 77040402DA		THREAD TAKEUP,RIGHT	上弯针挑线(右)	1
17	7700 77040709DA		LOWER LOOPER THREAD TAKEUP	下弯针挑线	1
18	7700 AM0104008DO		SCREW M4x8	上弯针挑线(右)螺钉 M4 x 8	1
19	7700 AS0108004HO		SCREW SM1/8"x44x4	下弯针挑线螺钉 SM1/8" x 44 x 4	1
20	7700 70033583		LOOPER GUIDE SUPPORT ASM.	上弯针导套座组件	1
21	7700 70081107	ac	UPPER LOPPER (7704, 7716)	上弯针(7704, 7716)	1
22	7700 70081008	b	UPPER LOPPER (7714)	上弯针(7714)	1
23	7700 70034522		PIN 5x10	上弯针导套座定位销 5 x 10	1
24	7700 70033702		UPPER LOOPER HOLDER	上弯针滑杆	1
25	7700 37050000		SCREW SM9/64"x40x3.5	上弯针螺钉 SM9/64" x 40 x 3.5	1
26	7700 70033628		UPPER LOOPER GUIDE	上弯针导套	1
27	7700 77025720DA		OIL FELT FORUPPER LOOPER GUIDE	上弯针导套油毡	2
28	7700 70033524		UPPER LOOPER GUIDE SUPPORT(L=28)	上弯针导套座(L=28)	1
29	7700 AM0206014HO		SCREW M6x14	上弯针导套座螺钉 M6 x 14	2
30	7700 70033801		UPPER LOOPER GUIDE COVER	上弯针导套盖	1
31	7700 AS0106006DO		SCREW SM3/32"x56x5.5	上弯针导套盖螺钉 SM3/32" x 56 x 5.5	2
32	7700 70033900	d	UPPER LOOPER HOLDER PIN A	上弯针滑杆销A	(1)
33	7700 70034007	d	UPPER LOOPER HOLDER PIN B	上弯针滑杆销B	(1)
34	7700 70034106	d	UPPER LOOPER HOLDER PIN C	上弯针滑杆销C	(1)
35	7700 YX200200		OIL WICK	上弯针滑杆销油芯	0.08
36	7700 77040808DA		THREAD GUIDE	下弯针线量调节板	1
37	7700 77040303DA		THREAD GUIDE,RIGHT	上弯针线量调节板	1
38	7700 70040204		LOOPER THREAD TAKEUP COVER	弯针线量调节板	1
39	7700 37050109		SCREW SM9/64"x40x6	上弯针线量调节板螺钉 SM9/64" x 40 x 6	1
40	7700 AM0904008DO		SCREW M4x8	弯针线量调节板螺钉 M4 x 8	2
41	7700 37050109		SCREW SM9/64"x40x6	下弯针线量调节板螺钉 SM9/64" x 40 x 6	1
42	7700 77040501DA		THREAD GUIDE,UPPER	上弯针过线(上)	1
43	7700 AS0909006DO		SCREW SM9/64"x40x6	上弯针过线(上) 螺钉 SM9/64" x 40 x 6	1

# 11. LOWER LOOPER ASSEMBLY 下弯针部件

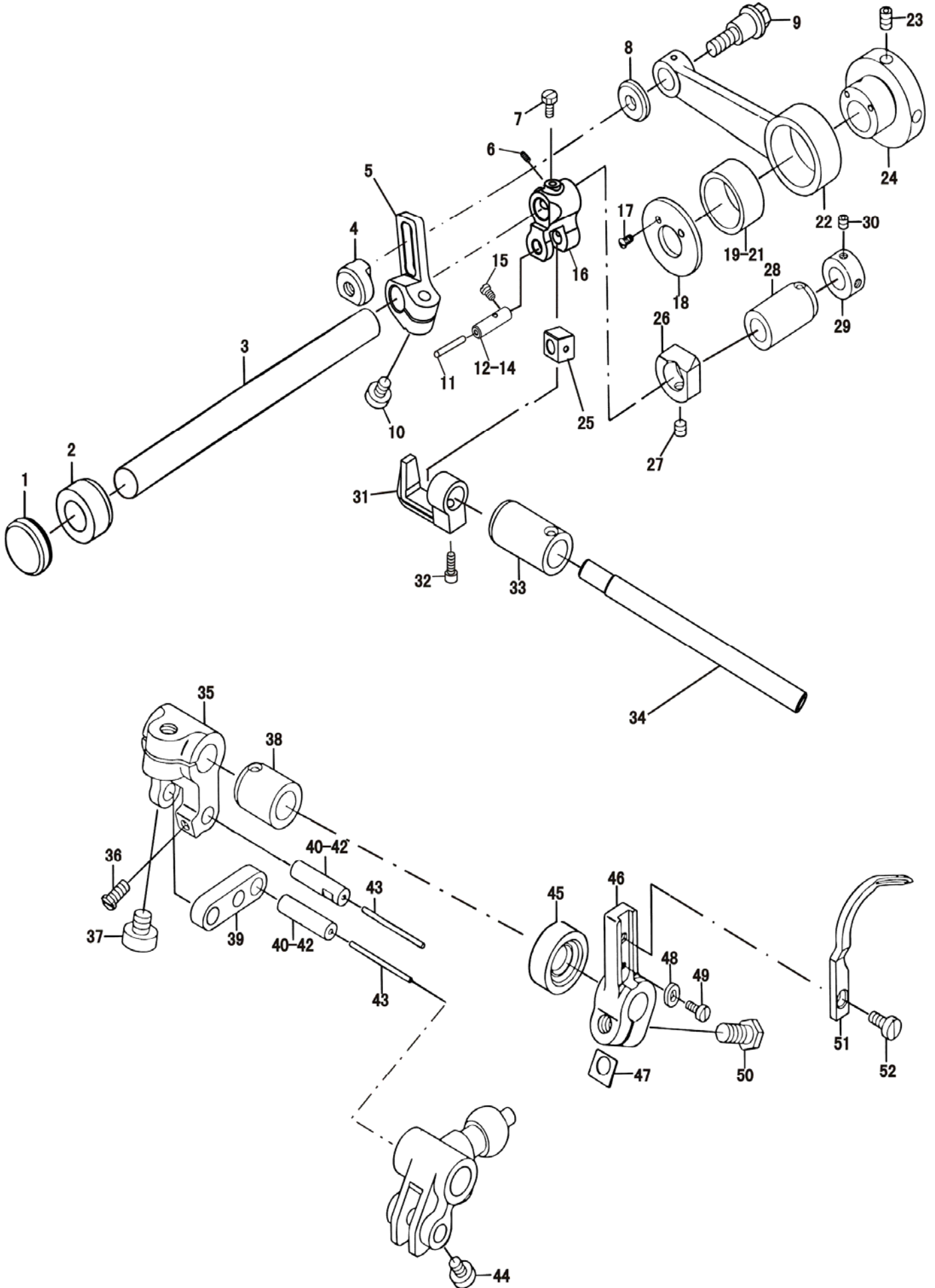




## 11. LOWER LOOPER ASSEMBLY 下弯针部件

No.	Part No.	Note	Name	名称	Qty.
1	7700 70035707	c	SPACER	下弯针轴隔套	1
2	7700 70035657	c	BALL HOLDER B ASM.	下弯针球曲柄组件	1
3	7700 70035103	c	LOWER LOOPER SHAFT	下弯针轴	1
4	7700 37000201		THRUST COLLAR	下弯针轴紧圈	1
5	7700 AM0304004HO		SET SCREW M4x4	下弯针轴紧圈螺钉 M4 x 4	2
6	7700 70029502		BUSHING,REAR	弯针轴后轴套	1
7	7700 70035202	ab	SPACER	下弯针轴隔套	1
8	7700 70035558	ab	BALL HOLDER A ASM.	下弯针球曲柄组件	1
9	7700 70034908		BUSHING,FRONT	下弯针轴前轴套	1
10	7700 37005507		OIL SEAL RING	下弯针轴油封	1
11	7700 70033306	ab	UPPER LOOPER SHAFT	下弯针轴	1
12	7700 70035806		LOWER LOOPER ARM	下弯针摇杆	1
13	7700 70030005		LOWER LOOPER STOPPER	下弯针限位挡块	1
14	7700 AM0102506DO		SCREW M2.5x6	下弯针限位挡块螺钉 M2.5 x 6	1
15	7700 77040907DA		LOWER THREAD TAKEUP,LEFT	下弯针挑线(左)	1
16	7700 70035301		WASHER	下弯针摇杆垫片	1
17	7700 37025208		SCREW M6x14	下弯针摇杆螺钉 M6 x 14	1
18	7700 AM0104006DO		SCREW M4x6	下弯针挑线(左)螺钉 M4 x 6	1
19	7700 70084002		TRAVELING NEEDLE GUARD	摆动护针	1
20	7700 37016405		SCREW SM9/64"x40x8	摆动护针螺钉 SM9/64" x 40 x 8	2
21	7700 70081800		LOWER LOOPER	下弯针	1
22	7700 70036804		THREAD GUIDE,LEFT	下弯针小过线板	1
23	7700 AS0109008HO		SCREW SM9/64"x40x7.5	下弯针螺钉 SM9/64" x 40 x 7.5	1
24	7700 70084606	c	CHAIN LOOPER NEEDLE GUARD	五线前护针	1
25	8700 87016009DA	c	SCREW SM3/32"x56x6	五线前护针螺钉 SM3/32" x 56 x 6	2
26	7700 70084507	c	CHAIN LOOPER NEEDLE GUARD	链线后护针	1
27	8700 87016009DA	c	SCREW SM3/32"x56x6	链线后护针螺钉 SM3/32" x 56 x 6	2
28	8700 87046803DA	c	NEEDLE GUARD HOLDER	五线护针架	1
29	8700 87046704DA	ab	NEEDLE GUARD HOLDER	三四线护针架	1
30	8700 AM0104008DN		SCREW M4x8	护针架螺钉 M4 x 8	2
31	7700 70084101	a	NEEDLE GUARD	三线前护针	1
32	7700 70084200	b	NEEDLE GUARD	四线前护针	1
33	7700 70084408	c	CHAIN LOOPER NEEDLE GUARD	链线前护针	1
34	8700 87050109DA		SCREW SM9/64"x40x6	前护针螺钉 SM9/64" x 40 x 6	1

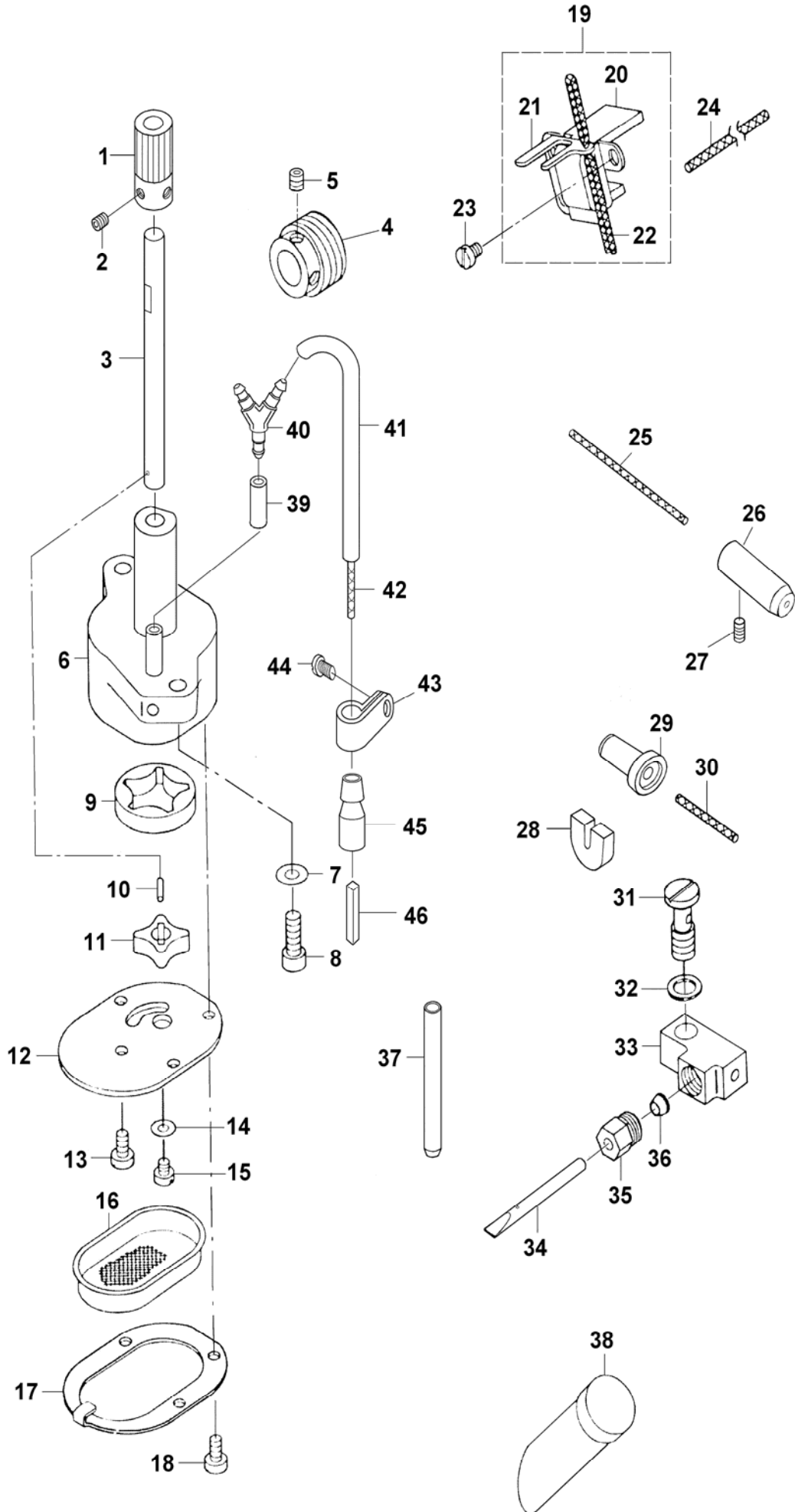
12. CHAINSTITCH LOOPER ASSEMBLY (FOR 516) 链线弯针部件 (516用)



## 12. CHAINSTITCH LOOPER ASSEMBLY (FOR 516) 链线弯针部件 (516用)

No.	Part No.	Note	Name	名称	Qty.
1	7700 37007305	c	RUBBER PLUG	链线弯针进出轴孔油塞	1
2	7700 70022507	c	BUSHING,FRONT	链线弯针进出轴左轴套	1
3	7700 70028920	c	CHAIN LOOPER SHAFT	链线弯针进出轴	1
4	7700 70031607	c	NUT M5	链线弯针进出调节螺钉螺母 M5	1
5	7700 70028623	c	CHAIN LOOPER SHAFT SLIDE ARM	链线弯针进出调节曲柄	1
6	7700 AM0304006HO	c	SCREW M4x6	链线弯针进出摇杆紧定螺钉 M4×6	1
7	7700 37015100	c	SCREW M4x8	链线弯针进出摇杆螺钉 (上) M4×8	1
8	7700 70028801	c	WASHER	链线弯针进出调节螺钉垫圈	1
9	7700 70028702	c	SCREW M5x11.8	链线弯针进出调节螺钉 M5×11.8	1
10	7700 37020407	c	SCREW M6x14	链线弯针进出调节曲柄螺钉 M6×14	1
11	7700 YX200100	c	OIL WICK	链线弯针进出滑块销油芯	0.05
12	7700 70032223	d	CHAIN LOOPER SLIDE BLOCK OIL WICK PIN A	链线弯针进出滑块销 (A)	(1)
13	7700 70032322	d	CHAIN LOOPER SLIDE BLOCK OIL WICK PIN B	链线弯针进出滑块销 (B)	(1)
14	7700 70032421	d	CHAIN LOOPER SLIDE BLOCK OIL WICK PIN C	链线弯针进出滑块销 (C)	(1)
15	7700 37025129	c	SCREW M4x7	链线弯针进出滑块销螺钉 M4×7	1
16	7700 70032120	c	CHAIN LOOPER ROCKER	链线弯针进出摇杆	1
17	7700 37016108	c	SCREW SM3/32"x56x5	链线弯针进出偏心轮盖板螺钉 SM3/32"×56×5	2
18	7700 70028207	c	ECCENTRIC CAM COVER	链线弯针进出偏心轮盖板	1
19	7700 70028306	d	CHAIN LOOPER ROD BEARING A	链线弯针进出连杆滚针轴承A	(1)
20	7700 70028405	d	CHAIN LOOPER ROD BEARING B	链线弯针进出连杆滚针轴承B	(1)
21	7700 70028504	d	CHAIN LOOPER ROD BEARING C	链线弯针进出连杆滚针轴承C	(1)
22	7700 70028108	c	CHAIN LOOPER ROD	链线弯针进出连杆	1
23	7700 AM0304006HO	c	SCREW M4x6	链线弯针进出偏心轮紧定螺钉 M4×6	2
24	7700 70028009	c	CHAIN LOOPER ECCENTRIC CAN	链线弯针进出偏心轮	1
25	7700 70029225	c	CHAIN LOOPER SLIDE BLOCK	链线弯针进出滑块	1
26	7700 70029007	c	CHAIN LOOPER SHAFT THRUST	链线弯针进出轴紧圈 (左)	1
27	7700 AM0304004HO	c	SET SCREW M4x4	链线弯针进出轴紧圈紧定螺钉 M4×4	2
28	7700 70022606	c	BUSHING,REAR	链线弯针进出轴右轴套	1
29	7700 37000201	c	CHAIN LOOPER SHAFT THRUST	链线弯针进出轴紧圈 (右)	1
30	7700 AM0304004HO	c	SET SCREW M4x4	链线弯针进出轴紧圈 (右) 紧定螺钉 M4×4	2
31	7700 70029126	c	SLIDE BLOCK BRACKET	链线弯针进出拨叉	1
32	7700 37014723	c	SCREW SM11/64"x40x12	链线弯针进出拨叉螺钉 SM11/64"×40×12	1
33	7700 70029502	c	BUSHING,REAR	链线弯针轴后轴套	1
34	7700 70029324	c	CHAIN LOOPER SHAFT	链线弯针轴	1
35	7700 70029601	c	CHAIN LOOPER SHAFT DRIVING ARM	链线弯针曲柄	1
36	7700 37015100	c	SCREW M4x8	链线弯针连杆销螺钉 M4×8	1
37	7700 AM0206014HO	c	SCREW M6x14	链线弯针曲柄螺钉 M6×14	1
38	7700 70029403	c	BUSHING,FRONT	链线弯针轴前轴套	1
39	7700 70029700	c	DRIVING LINK	链线弯针连杆	1
40	7700 70031706	d	DRIVING LINK PIN A	链线弯针连杆销A	(2)
41	7700 70031805	d	DRIVING LINK PIN B	链线弯针连杆销B	(2)
42	7700 70031904	d	DRIVING LINK PIN C	链线弯针连杆销C	(2)
43	7700 YX200100	c	OIL WICK	链线弯针连杆销油芯	0.1
44	7700 AM0104006DO	c	SCREW M4x6	链线弯针连杆销紧定螺钉 M4×6	1
45	7700 37005507	c	OIL SEAL RING	弯针前轴套油封	1
46	7700 70029908	c	CHAIN LOOPER DRIVING ARM	链线弯针摇杆	1
47	7700 70035301	c	WASHER	链线弯针摇杆垫片	1
48	7700 70030005	c	LOWER LOOPER STOPPER	链线弯针限位挡块	1
49	7700 AM0102506DO	c	SCREW M2.5x6	链线弯针限位挡块螺钉 M2.5×6	1
50	7700 37025208	c	SCREW M6x14	链线弯针摇杆螺钉 M6×14	1
51	7700 70082600	c	CHAIN LOOPER	链线弯针	1
52	7700 AS0109008HO	c	SCREW SM9/64"x40x7.5	链线弯针螺钉 SM9/64"×40×7.5	1

13. PUMP ASSEMBLY 供油部件

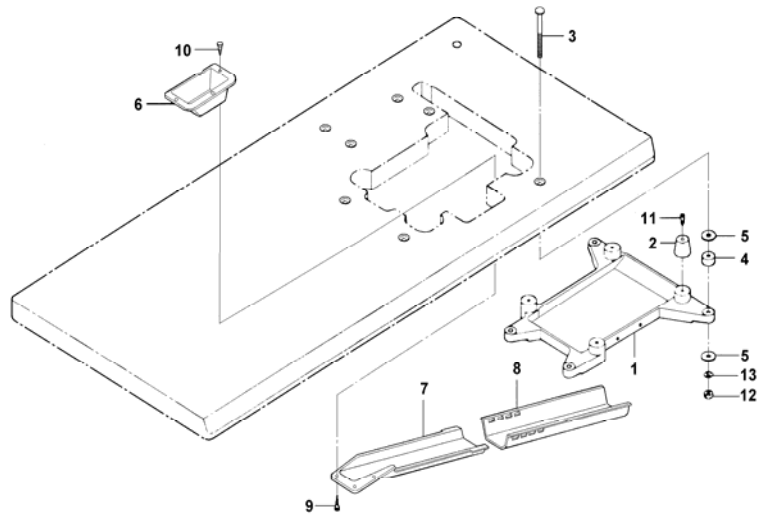


### 13. PUMP ASSEMBLY 供油部件

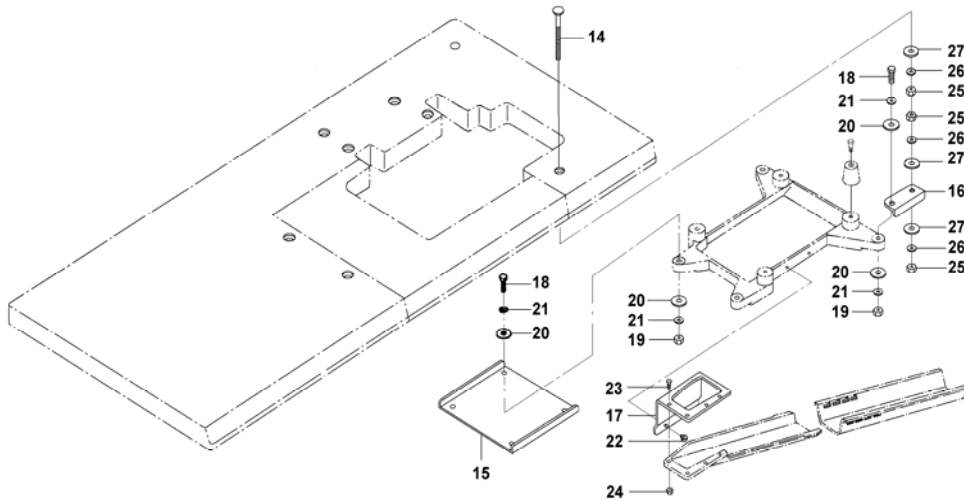
No.	Part No.	Note	Name	名称	Qty.
1	7700 70042505		WORM GEAR	油泵蜗轮	1
2	7700 AM0304004HO		SET SCREW M4x4	油泵蜗轮紧定螺钉 M4 x 4	2
3	7700 70042109		OIL PUMP SHAFT	油泵轴	1
4	7700 70041507		WORM	油泵蜗杆	1
5	7700 AM0305005HO		SCREW M5x5	油泵蜗杆紧定螺钉 M5 x 5	2
6	7700 70041655		OIL PUMP ASM	油泵体组件	1
7	7700 DP0205310BO		WASHER 5	油泵组件螺钉垫圈 5	2
8	7700 AM0205014HO		SCREW M5x14	油泵组件螺钉 M5 x 14	2
9	7700 70041804		OIL PUMP GEAR OUTER RING	油泵外转子	1
10	7700 37001001		PIN	油泵内转子销	1
11	7700 70041903		OIL PUMP GEAR INNER RING	油泵内转子	1
12	7700 70042000		OIL PUMP COVER	油泵盖	1
13	7700 AM0104008DO		SCREW M4x8	油泵压板螺钉 M4 x 8	1
14	7700 DP0204308BO		WASHER 4	油泵盖垫圈 4	1
15	7700 37018005		SCREW M4x4	油泵盖螺钉 M4 x 4	1
16	7700 70042307		OIL PUMP NET	油泵滤油网	1
17	7700 70042406		OIL PUMP NET PRESSER	油泵滤油网压板	1
18	7700 AM0104008DO		SCREW M4x8	油泵滤油网压板螺钉 M4 x 8	3
19	7700 70043255		OIL FELT ASM.	针杆驱动曲柄销供油毛毡组件	1
20	7700 70043206		OIL FELT	针杆驱动曲柄销供油毛毡	1
21	7700 70043305		OIL FELT PRESSER	针杆驱动曲柄销供油毛毡压板	1
22	7700 YX200100		OIL WICK	针杆上轴套油线	0.11
23	7700 37018104		SCREW M4x5	针杆连杆销油线螺钉 M4 x 5	3
24	7700 YX300200		OIL WICK	针杆连杆销油线	0.12
25	7700 YX200200		OIL WICK	上弯针滑杆销供油管油线	0.05
26	7700 70036028		OIL SUPPLY BUSH	上弯针滑杆销供油管	1
27	7700 AM0304004HO		SCREW M4x4	上弯针导套供油管紧定螺钉 M4 x 4	1
28	7700 70043404		RETURNING OIL FILTER	针杆下轴套油毡	1
29	7700 77002821DA		OIL SUPPLY BUSH	上弯针导套供油管	1
30	7700 YX200100		OIL WICK	上弯针导套供油油芯	0.1
31	7700 37013501		SCREW M8	油管接头螺栓 M8	1
32	7700 37003601		GASKET	油管接头螺栓垫圈	1
33	7700 70042752		OILING EXIT SUPPORT COMPL	分油器组件	1
34	7700 70042802		OILING EXIT	分油器出油管	1
35	7700 70042901		OILING EXIT JOINT A M10x1	油管接头螺母 M10 x 1	1
36	7700 70043008		OILING EXIT JOINT B	油管接头螺母密封垫	1
37	7700 70042604		OILING EXIT PIPE	分油器油管	1
38	7700 70043107		OIL GAUGE	油位标	1
39	7700 77001006DA		VINYL TUBE (SHORT)	回油管 (短)	0.03
40	9790 030030		Y TYPE THREE PORT FITTING	Y型三通接头	1
41	7700 70015808		VINYL TUBE	牙架窗回油管	0.31
42	7700 YX200100		OIL WICK	牙架窗回油管油线	0.32
43	7700 70031409		INSTALLING BASE	牙架窗回油管管夹头	1
44	7700 AM0104006DO		SCREW M4x6	牙架窗回油管管夹头螺钉 M4 x 6	1
45	7700 77001005DA		PORT FITTING	牙架窗回油管接头	1
46	7700 77001007DA		FELT	牙架窗回油管接头吸油毡	1

## 14. ACCESSORIE PART ASSEMBLY 附件

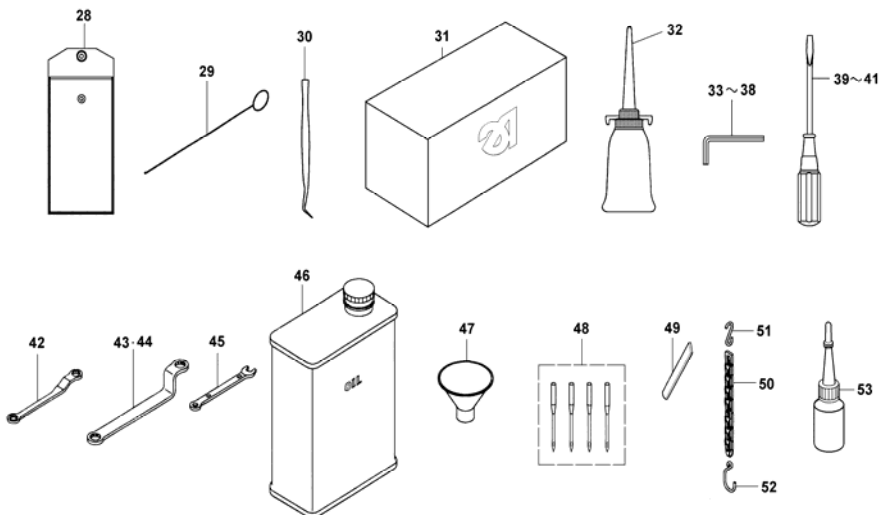
**Semi submerged table assembly - included in delivery**  
**桌上式台板部件 - 包括在一次交付的货物内**



**Fully submerged table assembly - not included in delivery DA order No.7700 597514**  
**全沉式台板部件 - 不包括在一次交付的货物内 DA订货号No.7700 597514)**



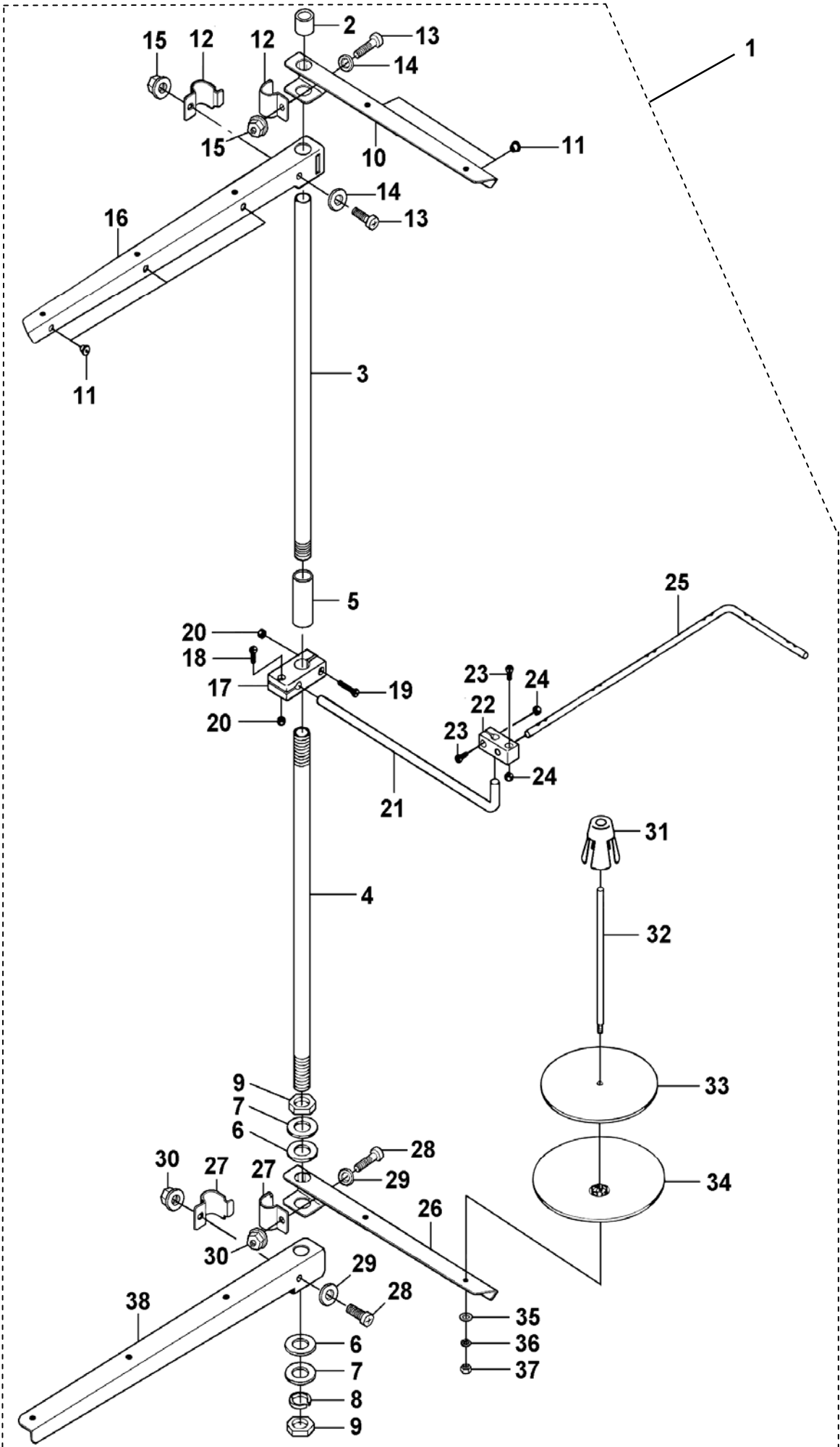
**Accessorie part assembly 附件**



## 14. ACCESSORIE PART ASSEMBLY 附件

No.	Part No.	Note	Name	名称	Qty.
1	7700 70048007		FRAME SUPPORT PLATE ASM.	机头托盘	1
2	7700 70048106		RUBBER CUSHION	机头防震垫	4
3	7700 70048205		BOLT M8x100	机头托盘方颈螺钉 M8×100	4
4	7700 70047900		BOLT SPACER	机头托盘防震垫	4
5	7700 37011307		WASHER 8	机头托盘垫圈 8	8
6	7700 77049401DA		CLOTH WASTE CHUTE INLET	布屑槽口	1
7	7700 77048502DA		CLOTH WASTE CHUTE,UPPER	布屑槽(上)	1
8	7700 77048601DA		CLOTH WASTE CHUTE,LOWER	布屑槽(下)	1
9	7700 37026107		SCREW 3.5x12	布屑槽(上)螺钉 3.5×12	4
10	7700 37026602		SCREW 3.5x16	布屑槽口螺钉 3.5×16	3
11	7700 37013709		SCREW M5x7	机头防震垫轴位螺钉 M5×7	4
12	7700 37009004		NUT M8	机头托盘螺母 M8	4
13	7700 37012206		SPRING WASHER 8	机头托盘弹簧垫圈 8	4
14	7700 70053205		BOLT B M8x180	机头托盘方颈螺栓B M8×180	4
15	7700 70053304		AUXILIARY PLATE A	机头托盘连接板A	1
16	7700 70053403		AUXILIARY PLATE B	机头托盘连接板B	1
17	7700 77053502DA		SUPPORT PLATE	集料槽限位板	1
18	7700 37025406		BOLT M8x40	机头托盘连接板螺栓 M8×40	3
19	7700 37009004		NUT M8	机头托盘连接板螺母 M8	3
20	7700 37011307		WASHER 8	机头托盘连接板垫圈 8	6
21	7700 37012206		SPRING WASHER 8	机头托盘连接板螺栓弹簧垫圈 8	6
22	7700 AM0904008DO		SCREW M4x8	布屑槽压板螺钉 M4×8	2
23	7700 AM0104012DO		SCREW M4x12	布屑槽(上)螺钉 M4×12	4
24	7700 37008303		NUT M4	布屑槽(上)螺母 M4	4
25	7700 37009004		NUT M8	机头托盘螺母 M8	12
26	7700 37012206		SPRING WASHER 8	机头托盘弹簧垫圈 8	12
27	7700 37011307		WASHER 8	机头托盘垫圈 8	12
28	7700 70055002		ACCESSORY PACK	附件袋	1
29	7700 70055101		THREADER	穿线钩	1
30	7700 70055200		TWEEZERS	弯头镊钳	1
31	8700 87055409DA		VINYL HEAD COVER	机头套	1
32	7700 70055408		OILER	小油壶	1
33	7700 70056802		HEXAGONAL WRENCH,1.6	六角板手(1.6)	1
34	7700 70055606		HEXAGONAL WRENCH,2.0	六角板手(2.0)	1
35	7700 70055705		HEXAGONAL WRENCH,2.5	六角板手(2.5)	1
36	7700 70055804		HEXAGONAL WRENCH,3.0	六角板手(3.0)	1
37	7700 70055903		HEXAGONAL WRENCH,4.0	六角板手(4.0)	1
38	7700 70056000		HEXAGONAL WRENCH,5.0	六角板手(5.0)	1
39	7700 70056109		SCREWDRIVER,SMALL	一字槽螺钉旋具(大)	1
40	7700 70056208		SCREWDRIVER,MIDDLE	一字槽螺钉旋具(长)	1
41	7700 70056307		SCREWDRIVE, LARGE	一字槽螺钉旋具(短)	1
42	7700 70056505		SPECTACLE WRENCH,7x7	梅花板手(7×7)	1
43	7700 70056406		SPECTACLE WRENCH,5.5	梅花板手(5.5)	1
44	7700 70056703		SPECTACLE WRENCH,9.0	梅花板手(9.0)	1
45	7700 70057701		WRENCH,5x6	六角板手(5×6)	1
46	9047 000032		OIL(900CC)	油桶(900CC)	1
47	7700 70057206		FUNNEL	漏斗	1
48	9092 002700 075S		NEEDLE (DCx27 #114EA.)	机针(DC×27 #11)	1
49	7700 70047504		LOWER KNIFE	下刀	1
50	7700 70057404		CHAIN	链条	1
51	7700 70057503		SSHAPED METAL FITTING,SAMALL	链条钩(小)	1
52	7700 70057602		SSHAPED METAL FITTING,LARGE	链条钩(大)	1
53	7700 70057028		SILICONE OIL	硅油壶	1

15. THREAD STAND ASSEMBLY 线架部件

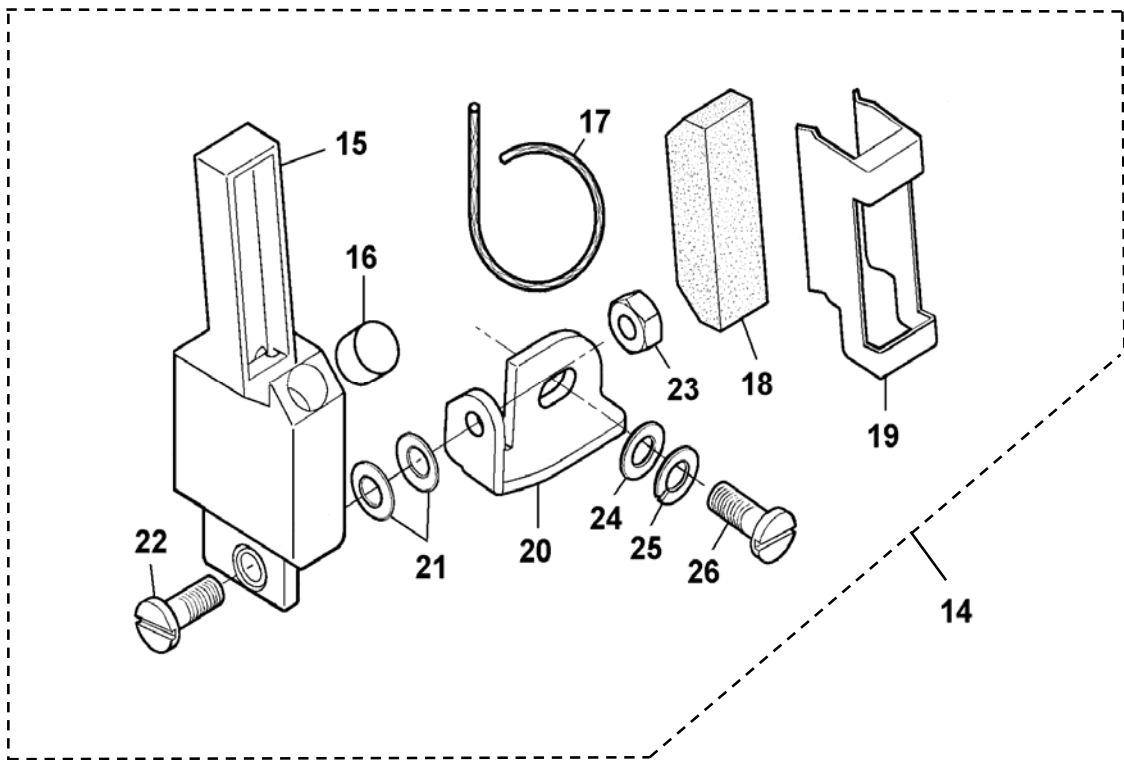
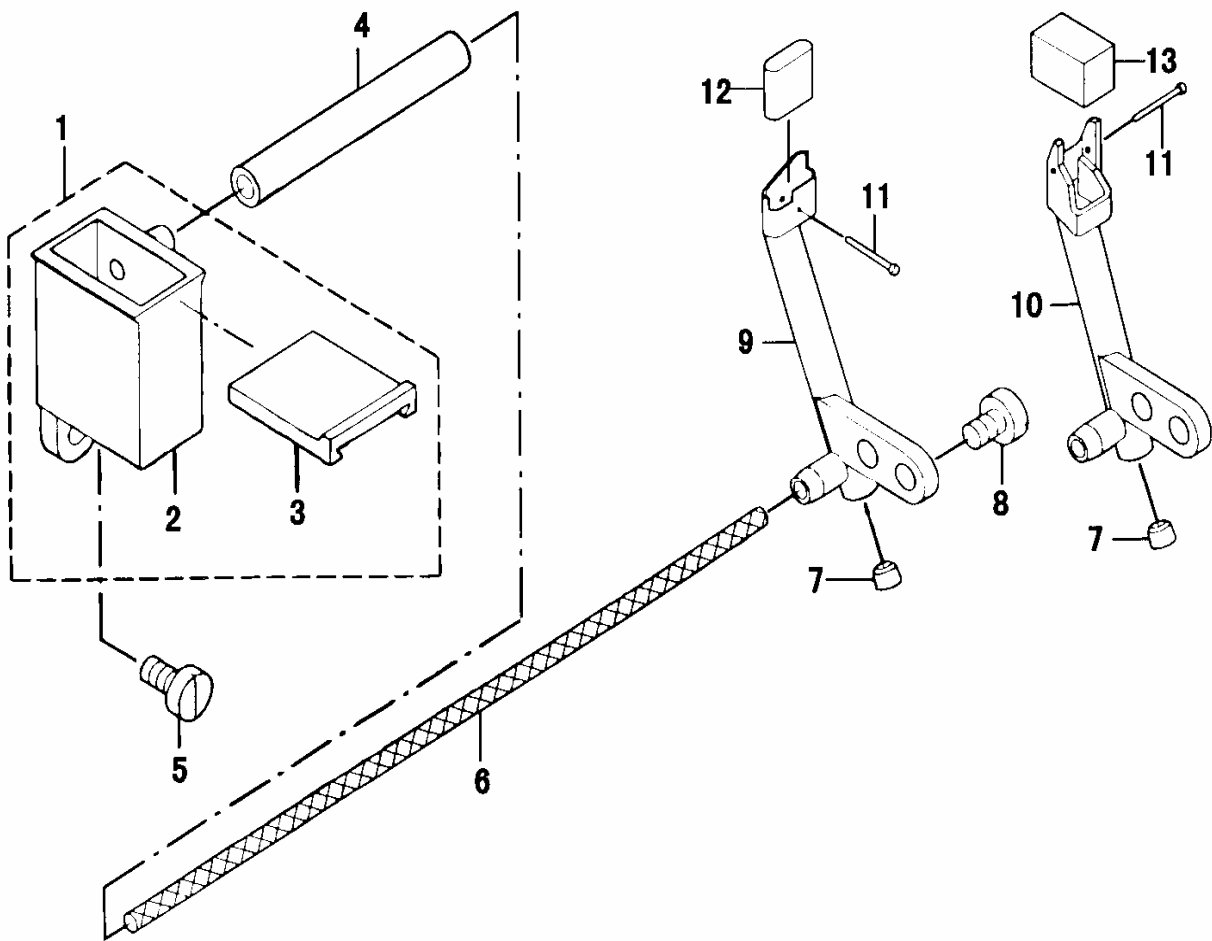




## 15. THREAD STAND ASSEMBLY 线架部件

No.	Part No.	Note	Name	名称	Qty.
1	7700 77060155DA		THREAD STAND ASM.(7716)	五线线架组件(7716)	1
2	7700 GR1744DA		SPOOL REST ROD RUBBER CAP	立柱闷头	(1)
3	7700 GZ316DA		SPOOL REST ROD ,UPPER	立柱(上)	(1)
4	7700 GZ315DA		SPOOL REST ROD, LOWER	主柱(下)	(1)
5	7700 GZ1932DA		SPOOL REST ROD JOINT	立柱接头	(1)
6	7700 GR1753DA		RUBBER WASHER 16	立柱橡胶垫圈 16	(2)
7	7700 DP0217025BO		WASHER 16	立柱(下)垫圈 16	(2)
8	7700 GL9527DA		SPRING WASHER 16	立柱(下)弹簧垫圈 16	(1)
9	7700 GL158DA		NUT M16x1.5	立柱(下)细牙扁螺母 M16x1.5	(2)
10	7700 77061604DA		SPOOL REST ARM.	二线过线板	(1)
11	7700 22931208DA		THREAD GUIDE	过线圈	(5)
12	7700 22930705DA		THREAD GUIDE ARM JOINT	夹紧圈	(2)
13	7700 GL4586DA		SCREW M6x20	过线板螺钉 M6x20	(2)
14	7700 DP0106416BZ		WASHER 6	垫圈 6	(2)
15	7700 GL1038DA		NUT M6	六角法兰面锁紧螺母 M6	(2)
16	7700 77061703DA		SPOOL REST ARM, LONG	三线过线板	(1)
17	7700 77061000DA		THREAD GUIDE ARM BASE	中过线接杆夹头	(1)
18	7700 37018401		SCREW M4x12	中过线接杆夹头螺钉A M4x12	(1)
19	7700 37018500		SCREW M4x22	中过线接杆夹头螺钉B M4x22	(1)
20	7700 37008303		NUT M4	中过线接杆夹头螺母 M4	(2)
21	7700 70060903		THREAD GUIDE ARM	中过线接杆	(1)
22	7700 77060804DA		LOWER SPOOL REST ROD BASE	中过线杆夹头	(1)
23	7700 37018302		SCREW M4x10	中过线杆夹头螺钉 M4x10	(2)
24	7700 37008303		NUT M4	中过线杆夹头螺母 M4	(2)
25	7700 70060705		SPOOL REST ROD, LOWER	中过线杆	(1)
26	7700 77061604DA		SPOOL REST ARM	二线线盘架	(1)
27	7700 22930705DA		THREAD GUIDE ARM JOINT	夹紧圈	(2)
28	7700 GL4586DA		SCREW M6x20	过线板螺钉 M6x20	(2)
29	7700 DP0106416BZ		WASHER 6	垫圈 6	(2)
30	7700 GL1038DA		NUT M6	六角法兰面锁紧螺母 M6	(2)
31	7700 22931109DA		SPOOL RETAINER	线团定心节	(5)
32	7700 GX1127DA		SPOOL PIN	线柱	(5)
33	7700 70061406		SPOOL REST CUSHION	线盘垫	(5)
34	7700 GL1037DA		SPOOL REST	线盘	(5)
35	7700 DP0105310BZ		WASHER 5	垫圈 5	(5)
36	7700 DT0505115TO		SPRING WASHER 5	线柱弹簧垫圈 5	(5)
37	7700 GL1025DA		NUT M5	线柱螺母 M5	(5)
38	7700 77061703DA		SPOOL REST ARM, LONG	二线线盘架	(1)

16. NEEDLE & NEEDLE THREAD COOLER ASSEMBLY 针尖和针线冷却部件



## 16. NEEDLE & NEEDLE THREAD COOLER ASSEMBLY 针尖和针线冷却部件

No.	Part No.	Note	Name	名称	Qty.
1	7700 70058550		NEEDLE COOLER ANK ASM.	针尖冷却油盒组件	1
2	7700 70058501		NEEDLE COOLER ANK	针尖冷却油盒体	1
3	7700 70058600		TANK COVER	针尖冷却油盒盖	1
4	7700 37002603		NEEDLE COOLER PIPE	针尖冷却毛毡供油线管	0.05
5	7700 AM0104008DO		SCREW M4x8	针尖冷却油盒螺钉 M4×8	1
6	7700 37002405		NEEDLE COOLER OIL WICK	针尖冷却毛毡供油线	0.15
7	7700 37006505		PLUG	针尖冷却座闷塞	1
8	7700 AM0104006DO		SCREW M4x6	针尖冷却座螺钉 M4×6	2
9	7700 70058709	ab	NEEDLE COOLER UNIT (OVER)	三四线针尖冷却座	1
10	7700 70058808	c	NEEDLE COOLER UNIT (INTER)	五线针尖冷却座	1
11	7700 70059004		NEEDLE COOLER FELT PRESSER	针尖冷却毛毡销	1
12	7700 70059103	ab	NEEDLE COOLER FELT	三四线针尖冷却毛毡	1
13	7700 70058907	c	NEEDLE COOLER FELT	五线针尖冷却毛毡	1
14	7700 70059159		NEEDLE THREAD COOLER ASM.	机针线冷却组件	1
15	7700 70059279		NEEDLE THREAD COOLER ANK ASM.	机针线冷却盒组件	(1)
16	8700 87007221DA		NEEDLE THREAD COOLER ANK PLUG	机针线冷却盒塞	(1)
17	7700 YX200100		NEEDLE THREAD COOLER OIL WICK	机针线冷却油线	(1)
18	7700 70059529		NEEDLE THREAD COOLER FELT	机针线冷却毛毡	(1)
19	7700 70059628		NEEDLE THREAD COOLER FELT PRESSER	机针线冷却毛毡压板	(1)
20	7700 70059727		NEEDLE THREAD COOLER ANK UNIT	机针线冷却盒支承座	(1)
21	8700 DA0604303TN		SPRING WASHER 4	机针线冷却盒支承座碟型弹簧垫圈 4	(2)
22	8700 87050426DA		SCREW M4x10	机针线冷却盒支承座螺钉 M4×10	(1)
23	8700 BM0204035DN		NUT M4	机针线冷却盒支承座螺母 M4	(1)
24	8700 DP0104508DN		WASHER 4	机针线冷却组件垫圈 4	1
25	8700 DT0504113TN		SPRING WASHER 4	机针线冷却组件弹簧垫圈 4	1
26	8700 AM0104010DN		SCREW M4x10	机针线冷却组件螺钉 M4×10	1

# 17. NUMERICAL INDEX OF PARTS

# 索引

件号 PART NO.	页次 PAGE	序号 NO.	件号 PART NO.	页次 PAGE	序号 NO.	件号 PART NO.	页次 PAGE	序号 NO.	件号 PART NO.	页次 PAGE	序号 NO.
7700 22930705DA	30	12	7700 37012206	28	26	7700 70001717	4	18	7700 70016103	10	36
7700 22930705DA	30	27	7700 37012909	8	20	7700 70002004	4	41	7700 70016103	10	44
7700 22931109DA	30	31	7700 37013226	20	10	7700 70002774	4	35	7700 70016202	10	7
7700 22931208DA	30	11	7700 37013501	26	31	7700 70002806	4	36	7700 70016202	16	29
7700 37000003	4	38	7700 37013709	28	11	7700 70002905	4	39	7700 70016301	6	41
7700 37000102	14	5	7700 37013808	12	23	7700 70003606	4	5-1	7700 70016400	10	8
7700 37000201	12	76	7700 37013907	6	68	7700 70003705	4	5-2	7700 70016400	16	30
7700 37000201	20	1	7700 37014103	2	15	7700 70003804	4	50	7700 70016509	10	9
7700 37000201	20	4	7700 37014723	24	32	7700 70003903	4	3	7700 70016509	16	31
7700 37000201	22	4	7700 37015100	12	45	7700 70004000	2	6	7700 70017507	18	1
7700 37000201	24	29	7700 37015100	20	11	7700 70004109	2	8	7700 70017606	18	3
7700 37000300	8	7	7700 37015100	24	7	7700 70004208	2	7	7700 70018109	18	7
7700 37000409	10	3	7700 37015100	24	36	7700 70004406	4	9	7700 70018208	18	8
7700 37000409	10	15	7700 37015209	12	80	7700 70004505	4	22	7700 70018414	18	17
7700 37000409	16	38	7700 37015209	20	13	7700 70005423	4	29-1	7700 70018513	18	18
7700 37000409	16	41	7700 37016009	14	26	7700 70005522	4	29-2	7700 70018604	18	20
7700 37001001	26	10	7700 37016108	24	17	7700 70005621	4	29-3	7700 70018703	18	16
7700 37001407	12	39	7700 37016405	22	20	7700 70005720	4	81	7700 70018802	18	15
7700 37001506	18	19	7700 37016504	10	56	7700 70009108	4	17	7700 70018950	18	21
7700 37002405	32	6	7700 37016504	12	26	7700 70010015	8	11	7700 70021004	12	47
7700 37002603	32	4	7700 37017205	10	40	7700 70010205	8	27	7700 70021103	12	46
7700 37003205	12	16	7700 37017304	12	38	7700 70010304	8	22	7700 70021301	12	40
7700 37003304	2	16	7700 37017502	6	69	7700 70010403	8	17	7700 70021509	12	37
7700 37003403	4	11	7700 37017502	14	42	7700 70010502	8	19	7700 70021608	12	35
7700 37003502	8	21	7700 37018005	4	67	7700 70010601	8	24	7700 70021707	12	33
7700 37003601	26	32	7700 37018005	26	15	7700 70010700	8	14	7700 70021806	12	44
7700 37004005	8	5	7700 37018104	10	52	7700 70010809	8	12	7700 70021905	12	41
7700 37004104	8	18	7700 37018104	26	23	7700 70010908	8	13	7700 70022002	12	42
7700 37005507	22	10	7700 37018203	12	36	7700 70011122	8	8	7700 70022101	12	43
7700 37005507	24	45	7700 37018302	30	23	7700 70011203	8	3	7700 70022200	12	57
7700 37005606	16	26	7700 37018401	30	18	7700 70011302	8	4	7700 70022408	12	59
7700 37006505	32	7	7700 37018500	30	19	7700 70011500	8	25	7700 70022507	12	56
7700 37006802	4	59	7700 37019300	6	84	7700 70012003	10	23	7700 70022507	24	2
7700 37006901	12	50	7700 37020407	12	21	7700 70012102	10	24	7700 70022606	12	75
7700 37007008	4	19	7700 37020407	12	63	7700 70012201	10	25	7700 70022606	24	28
7700 37007206	4	21	7700 37020407	12	72	7700 70012508	10	11	7700 70022804	12	30
7700 37007305	4	79	7700 37020407	24	10	7700 70012607	10	5	7700 70022903	12	31
7700 37007305	12	55	7700 37020605	10	28	7700 70012805	10	13	7700 70023021	14	14
7700 37007305	24	1	7700 37021207	8	26	7700 70012904	10	16	7700 70023117	12	29
7700 37007404	12	32	7700 37024102	4	57	7700 70013001	10	1	7700 70023226	14	16
7700 37007503	10	53	7700 37024102	14	1	7700 70013001	16	39	7700 70023307	14	10
7700 37008222	12	71	7700 37025129	24	15	7700 70013209	10	18	7700 70023356	14	8
7700 37008303	28	24	7700 37025208	22	17	7700 70013308	10	21	7700 70023505	14	9
7700 37008303	30	20	7700 37025208	24	50	7700 70013506	10	30	7700 70023604	14	12
7700 37008303	30	24	7700 37025406	28	18	7700 70013605	10	29	7700 70023703	12	66
7700 37009004	28	12	7700 37026107	28	9	7700 70013803	10	31	7700 70023822	12	69
7700 37009004	28	19	7700 37026602	28	10	7700 70013902	10	32	7700 70023871	12	67
7700 37009004	28	25	7700 37050000	20	25	7700 70014009	10	48	7700 70023901	12	64
7700 37009103	2	17	7700 37050109	20	39	7700 70014207	10	37	7700 70023950	12	60
7700 37010101	2	12	7700 37050109	20	41	7700 70014405	10	39	7700 70024008	12	65
7700 37010507	2	4	7700 70000503	4	10	7700 70014504	10	38	7700 70024107	12	62
7700 37010705	6	65	7700 70000622	4	7	7700 70014603	6	51	7700 70024214	14	6
7700 37011000	8	29	7700 70000721	4	8	7700 70014702	6	50	7700 70024305	14	3
7700 37011208	2	18	7700 70000800	4	24	7700 70014801	6	49	7700 70024404	14	2
7700 37011307	28	5	7700 70001006	4	25	7700 70015303	6	40	7700 70024572	12	15
7700 37011307	28	20	7700 70001105	4	32	7700 70015402	6	45	7700 70024701	12	17
7700 37011307	28	27	7700 70001204	4	33	7700 70015402	6	47	7700 70024800	12	22
7700 37011505	4	51	7700 70001303	4	26	7700 70015600	10	51	7700 70024909	12	24
7700 37012206	28	13	7700 70001402	4	23	7700 70015808	10	54	7700 70025005	12	18
7700 37012206	28	21	7700 70001501	4	27	7700 70015808	26	41	7700 70025153	12	19

# 17. NUMERICAL INDEX OF PARTS

# 索引

件号 PART NO.	页次 PAGE	序号 NO.	件号 PART NO.	页次 PAGE	序号 NO.	件号 PART NO.	页次 PAGE	序号 NO.	件号 PART NO.	页次 PAGE	序号 NO.
7700 70025203	12	9	7700 70031508	6	82	7700 70039428	6	19	7700 70055804	28	36
7700 70025302	12	13	7700 70031607	24	4	7700 70039428	6	28	7700 70055903	28	37
7700 70025401	12	7	7700 70031706	24	40	7700 70039428	6	37	7700 70056000	28	38
7700 70025500	12	8	7700 70031805	24	41	7700 70039501	6	38	7700 70056109	28	39
7700 70025609	12	3	7700 70031904	24	42	7700 70039600	6	39	7700 70056208	28	40
7700 70025807	12	6	7700 70032120	24	16	7700 70039709	6	64	7700 70056307	28	41
7700 70025906	12	4	7700 70032223	24	12	7700 70039808	6	63	7700 70056406	28	43
7700 70026023	14	35	7700 70032322	24	13	7700 70039907	6	60	7700 70056505	28	42
7700 70026102	14	37	7700 70032421	24	14	7700 70040004	6	58	7700 70056703	28	44
7700 70026201	14	40	7700 70033157	20	6	7700 70040204	20	38	7700 70056802	28	33
7700 70026300	14	33	7700 70033306	22	11	7700 70041507	26	4	7700 70057028	28	53
7700 70026427	14	32	7700 70033405	20	9	7700 70041655	26	6	7700 70057206	28	47
7700 70026528	14	31	7700 70033524	20	28	7700 70041804	26	9	7700 70057404	28	50
7700 70026674	12	78	7700 70033583	20	20	7700 70041903	26	11	7700 70057503	28	51
7700 70026724	12	81	7700 70033628	20	26	7700 70042000	26	12	7700 70057602	28	52
7700 70026805	14	20	7700 70034700	20	12	7700 70042109	26	3	7700 70057701	28	45
7700 70026924	14	34	7700 70033702	20	24	7700 70042307	26	16	7700 70058501	32	2
7700 70027021	12	68	7700 70033801	20	30	7700 70042406	26	17	7700 70058550	32	1
7700 70027120	12	70	7700 70033900	20	32	7700 70042505	26	1	7700 70058600	32	3
7700 70027209	14	11	7700 70034007	20	33	7700 70042604	26	37	7700 70058709	32	9
7700 70027308	12	73	7700 70034106	20	34	7700 70042752	26	33	7700 70058808	32	10
7700 70027407	12	52	7700 70034205	20	8	7700 70042802	26	34	7700 70058907	32	13
7700 70027506	12	53	7700 70034522	20	23	7700 70042901	26	35	7700 70059004	32	11
7700 70027605	12	54	7700 70034809	20	15	7700 70043008	26	36	7700 70059103	32	12
7700 70027803	12	28	7700 70034908	22	9	7700 70043107	26	38	7700 70059159	32	14
7700 70027902	12	27	7700 70035103	22	3	7700 70043206	26	20	7700 70059279	32	15
7700 70028009	24	24	7700 70035202	22	7	7700 70043255	26	19	7700 70059529	32	18
7700 70028108	24	22	7700 70035301	22	16	7700 70043305	26	21	7700 70059628	32	19
7700 70028207	24	18	7700 70035301	24	47	7700 70043404	26	28	7700 70059727	32	20
7700 70028306	24	19	7700 70035558	22	8	7700 70044014	2	3	7700 70060705	30	25
7700 70028405	24	20	7700 70035657	22	2	7700 70044113	2	2	7700 70060903	30	21
7700 70028504	24	21	7700 70035707	22	1	7700 70044212	2	1	7700 70061406	30	33
7700 70028623	24	5	7700 70035806	22	12	7700 70044303	2	5	7700 70065001	10	33
7700 70028702	24	9	7700 70036028	26	26	7700 70045003	16	35	7700 70065100	10	41
7700 70028801	24	8	7700 70036804	22	22	7700 70045102	16	32	7700 70065407	10	45
7700 70028920	24	3	7700 70038028	6	1	7700 70045201	16	25	7700 70067007	18	32
7700 70029007	24	26	7700 70038520	6	5	7700 70045300	16	27	7700 70067106	18	33
7700 70029126	24	31	7700 70038520	6	32	7700 70045508	16	19	7700 70067106	18	44
7700 70029225	24	25	7700 70038628	6	14	7700 70045607	16	20	7700 70067205	18	34
7700 70029324	24	34	7700 70038727	6	4	7700 70045706	16	22	7700 70067304	18	36
7700 70029403	20	7	7700 70038727	6	13	7700 70045805	16	24	7700 70067304	18	47
7700 70029403	24	38	7700 70038727	6	22	7700 70046209	16	6	7700 70067502	18	37
7700 70029502	20	3	7700 70038727	6	31	7700 70047306	10	65	7700 70067502	18	48
7700 70029502	22	6	7700 70038727	6	59	7700 70047405	10	62	7700 70067809	18	43
7700 70029502	24	33	7700 70038826	6	23	7700 70047504	16	16	7700 70067908	18	45
7700 70029601	24	35	7700 70039024	6	9	7700 70047504	28	49	7700 70071009	18	54
7700 70029700	24	39	7700 70039024	6	18	7700 70047900	28	4	7700 70071108	18	56
7700 70029908	24	46	7700 70039024	6	27	7700 70048007	2	9	7700 70071207	18	57
7700 70030005	22	13	7700 70039024	6	36	7700 70048007	28	1	7700 70071306	18	61
7700 70030005	24	48	7700 70039204	6	7	7700 70048106	28	2	7700 70071405	18	55
7700 70030104	6	75	7700 70039204	6	16	7700 70048205	28	3	7700 70071504	18	58
7700 70030252	6	74	7700 70039204	6	25	7700 70053205	28	14	7700 70076008	14	22
7700 70030559	6	66	7700 70039204	6	34	7700 70053304	28	15	7700 70076107	14	23
7700 70030658	6	67	7700 70039204	6	61	7700 70053403	28	16	7700 70076206	14	24
7700 70030807	6	71	7700 70039329	6	8	7700 70055002	28	28	7700 70078004	14	27
7700 70030906	6	70	7700 70039329	6	17	7700 70055101	28	29	7700 70078103	14	28
7700 70031003	6	78	7700 70039329	6	26	7700 70055200	28	30	7700 70078202	14	29
7700 70031102	6	79	7700 70039329	6	35	7700 70055408	28	32	7700 70080000	14	17
7700 70031201	6	53	7700 70039329	6	62	7700 70055606	28	34	7700 70080109	14	18
7700 70031409	26	43	7700 70039428	6	10	7700 70055705	28	35	7700 70080208	14	19

# 17. NUMERICAL INDEX OF PARTS

索引

件号 PART NO.	页次 PAGE	序号 NO.	件号 PART NO.	页次 PAGE	序号 NO.	件号 PART NO.	页次 PAGE	序号 NO.	件号 PART NO.	页次 PAGE	序号 NO.
7700 70081008	20	22	7700 AM0104006DO	12	10	7700 AM0304004HO	22	5	7700 GL4586DA	30	13
7700 70081107	20	21	7700 AM0104006DO	16	36	7700 AM0304004HO	24	27	7700 GL4586DA	30	28
7700 70081800	22	21	7700 AM0104006DO	22	18	7700 AM0304004HO	24	30	7700 GL9527DA	30	8
7700 70082600	24	51	7700 AM0104006DO	24	44	7700 AM0304004HO	26	2	7700 GR1744DA	30	2
7700 70084002	22	19	7700 AM0104006DO	26	44	7700 AM0304004HO	26	27	7700 GR1753DA	30	6
7700 70084101	22	31	7700 AM0104006DO	32	8	7700 AM0304006HO	4	78	7700 GX1127DA	30	32
7700 70084200	22	32	7700 AM0104008DO	8	16	7700 AM0304006HO	12	48	7700 GZ1932DA	30	5
7700 70084408	22	33	7700 AM0104008DO	4	77	7700 AM0304006HO	24	6	7700 GZ315DA	30	4
7700 70084507	22	26	7700 AM0104008DO	6	72	7700 AM0304006HO	24	23	7700 GZ316DA	30	3
7700 70084606	22	24	7700 AM0104008DO	6	77	7700 AM0304010HO	10	64	7700 YX200100	10	6
7700 70085009	10	60	7700 AM0104008DO	6	83	7700 AM0305005HO	10	19	7700 YX200100	10	22
7700 70087009	10	55	7700 AM0104008DO	12	12	7700 AM0305005HO	26	5	7700 YX200100	10	50
7700 70087108	10	57	7700 AM0104008DO	20	18	7700 AM0305010HO	18	65	7700 YX200100	12	51
7700 70087207	10	59	7700 AM0104008DO	26	13	7700 AM0306006HO	8	9	7700 YX200100	16	28
7700 70087256	10	58	7700 AM0104008DO	26	18	7700 AM0306006HO	8	15	7700 YX200100	24	11
7700 77000929DA	4	28	7700 AM0104008DO	32	5	7700 AM0306012HO	8	28	7700 YX200100	24	43
7700 77001003DA	10	17	7700 AM0104008HO	2	10	7700 AM0504003HN	8	10	7700 YX200100	26	22
7700 77001005DA	26	45	7700 AM0104008HO	2	14	7700 AM0703006HO	12	79	7700 YX200100	26	30
7700 77001006DA	26	39	7700 AM0104010DO	8	2	7700 AM0804008HO	4	55	7700 YX200100	26	42
7700 77001007DA	26	46	7700 AM0104010DO	10	27	7700 AM0904006HO	4	66	7700 YX200100	32	17
7700 77002821DA	26	29	7700 AM0104010HO	2	11	7700 AM0904006HO	4	74	7700 YX200200	20	35
7700 77009009DA	4	16	7700 AM0104010HO	14	39	7700 AM0904007HO	14	36	7700 YX200200	26	25
7700 77010106DA	8	31	7700 AM0104010HO	14	41	7700 AM0904008DO	4	54	7700 YX300200	26	24
7700 77014900DA	6	48	7700 AM0104012DO	28	23	7700 AM0904008DO	4	82	8700 87000117DA	4	1
7700 77015006DA	6	46	7700 AM0105014HO	14	7	7700 AM0904008DO	20	40	8700 87000216DA	4	2
7700 77015105DA	6	43	7700 AM0105016DO	8	23	7700 AM0904008DO	28	22	8700 87000335DA	4	12
7700 77015709DA	10	49	7700 AM0204012HO	10	12	7700 AS0106006DO	20	31	8700 87000434DA	4	13
7700 77025720DA	20	27	7700 AM0204012HO	16	34	7700 AS0108004HO	20	19	8700 87001001DA	4	53
7700 77036507DA	20	14	7700 AM0205014HO	26	8	7700 AS0109008HO	14	21	8700 87001002DA	18	13
7700 77038925DA	6	6	7700 AM0206012HO	10	4	7700 AS0109008HO	14	25	8700 87001605DA	16	5
7700 77038925DA	6	15	7700 AM0206014HO	12	58	7700 AS0109008HO	14	30	8700 87003269DA	4	40
7700 77038925DA	6	24	7700 AM0206014HO	20	29	7700 AS0109008HO	22	23	8700 87003309DA	4	34
7700 77038925DA	6	33	7700 AM0206014HO	24	37	7700 AS0109008HO	24	52	8700 87003517DA	4	6
7700 77040303DA	20	37	7700 AM0206016HO	16	33	7700 AS0112012HO	14	13	8700 87004337DA	4	15
7700 77040402DA	20	16	7700 AM0206025HO	8	30	7700 AS0706002HO	10	61	8700 87007107DA	4	4
7700 77040501DA	20	42	7700 AM0303003HO	4	75	7700 AS0909006DO	20	43	8700 87007107DA	4	20
7700 77040709DA	20	17	7700 AM0303003HO	6	76	7700 BM0204035DO	2	13	8700 87007107DA	8	1
7700 77040808DA	20	36	7700 AM0303003HO	10	20	7700 BM0204035DO	12	14	8700 87007221DA	32	16
7700 77040907DA	22	15	7700 AM0303003HO	10	26	7700 DA0604303TO	4	37	8700 87008417DA	4	14
7700 77048502DA	28	7	7700 AM0303003HO	10	34	7700 DB0306405TO	6	73	8700 87010606DA	8	32
7700 77048601DA	28	8	7700 AM0303003HO	10	42	7700 DE0703006TZ	12	2	8700 87010804DA	4	45
7700 77049401DA	28	6	7700 AM0303003HO	10	46	7700 DE0705007TZ	12	25	8700 87013600DA	18	22
7700 77053502DA	28	17	7700 AM0303003HO	10	67	7700 DP0104508BO	12	11	8700 87014622DA	18	67
7700 77060155DA	30	1	7700 AM0303003HO	18	64	7700 DP0105310BZ	30	35	8700 87015209DA	4	47
7700 77060804DA	30	22	7700 AM0304004HO	8	6	7700 DP0106416BZ	30	14	8700 87015308DA	4	48
7700 77061000DA	30	17	7700 AM0304004HO	4	56	7700 DP0106416BZ	30	29	8700 87016009DA	22	25
7700 77061604DA	30	10	7700 AM0304004HO	4	70	7700 DP0203205DO	4	58	8700 87016009DA	22	27
7700 77061604DA	30	26	7700 AM0304004HO	10	2	7700 DP0204308BO	4	73	8700 87016207DA	18	41
7700 77061703DA	30	16	7700 AM0304004HO	10	14	7700 DP0204308BO	4	76	8700 87016207DA	18	52
7700 77061703DA	30	38	7700 AM0304004HO	12	20	7700 DP0204308BO	6	80	8700 87016306DA	18	39
7700 77083024DA	4	31	7700 AM0304004HO	12	34	7700 DP0204308BO	14	38	8700 87016306DA	18	50
7700 77083222DA	4	30	7700 AM0304004HO	12	49	7700 DP0204308BO	26	14	8700 87017725DA	18	5
7700 AM0102506DO	22	14	7700 AM0304004HO	12	74	7700 DP0205310BO	26	7	8700 87017804DA	18	4
7700 AM0102506DO	24	49	7700 AM0304004HO	12	77	7700 DP0217025BO	30	7	8700 87017903DA	18	6
7700 AM0103005DN	4	52	7700 AM0304004HO	14	4	7700 DT0505115TO	30	36	8700 87018000DA	18	2
7700 AM0103006DO	12	61	7700 AM0304004HO	14	15	7700 GL1025DA	30	37	8700 87018005DA	18	68
7700 AM0104006DO	6	81	7700 AM0304004HO	16	37	7700 GL1037DA	30	34	8700 87018005DA	18	69
7700 AM0104006DO	10	10	7700 AM0304004HO	16	40	7700 GL1038DA	30	15	8700 87018005DA	18	70
7700 AM0104006DO	12	1	7700 AM0304004HO	20	2	7700 GL1038DA	30	30	8700 87018005DA	18	71
7700 AM0104006DO	12	5	7700 AM0304004HO	20	5	7700 GL158DA	30	9	8700 87019107DA	18	24

17. NUMERICAL INDEX OF PARTS

索引

件号 PART NO.	页次 PAGE	序号 NO.	件号 PART NO.	页次 PAGE	序号 NO.	件号 PART NO.	页次 PAGE	序号 NO.	件号 PART NO.	页次 PAGE	序号 NO.
8700 87019216DA	18	23	8700 AM0904006DN	4	69						
8700 87019325DA	18	26	8700 AM0904006DN	4	71						
8700 87019424DA	18	25	8700 AM0904006DN	4	72						
8700 87019508DA	4	60	8700 AM0904006DN	6	42						
8700 87019602DA	18	14	8700 AM0904008DN	4	68						
8700 87019701DA	18	11	8700 AM0904008DN	4	80						
8700 87019706DA	8	33	8700 AM0904010DN	4	46						
8700 87019800DA	18	10	8700 AM0904010DN	4	65						
8700 87020006DA	18	9	8700 AM0905008DN	16	1						
8700 87020125DA	18	29	8700 AM0905016DN	4	62						
8700 87020224DA	18	28	8700 AM0906012DN	4	63						
8700 87020308DA	10	63	8700 AM1204008DN	16	15						
8700 87020323DA	18	27	8700 AS0106003HN	18	62						
8700 87020422DA	18	30	8700 AS0106004HN	18	38						
8700 87026008DA	4	61	8700 AS0106004HN	18	49						
8700 87031300DA	6	55	8700 AS0109006HN	18	40						
8700 87031409DA	6	57	8700 AS0109006HN	18	51						
8700 87038134DA	6	3	8700 AS0109006HN	18	63						
8700 87038183DA	6	2	8700 AS0111007HN	18	66						
8700 87038233DA	6	12	8700 AS1109008HN	16	17						
8700 87038282DA	6	11	8700 BM0204035DN	16	3						
8700 87038332DA	6	21	8700 BM0204035DN	32	23						
8700 87038381DA	6	20	8700 BM0206045DN	18	73						
8700 87038431DA	6	30	8700 BS0208020DN	18	59						
8700 87038480DA	6	29	8700 DA0604303TN	32	21						
8700 87045904DA	16	8	8700 DB0308503TN	4	49						
8700 87046001DA	16	13	8700 DP0104508DN	32	24						
8700 87046100DA	16	12	8700 DP0203703BN	16	18						
8700 87046308DA	16	4	8700 DP0204308BN	4	64						
8700 87046407DA	16	10	8700 DT0504113TN	32	25						
8700 87046605DA	16	14	9047 000032	28	46						
8700 87046704DA	22	29	9092 002700 075S	10	35						
8700 87046803DA	22	28	9092 002700 075S	10	43						
8700 87046902DA	4	44	9092 002700 075S	10	47						
8700 87047009DA	4	43	9092 002700 075S	28	48						
8700 87047108DA	4	42	9790 030030	26	40						
8700 87047207DA	10	66									
8700 87050109DA	22	34									
8700 87050426DA	32	22									
8700 87055409DA	28	31									
8700 87066058DA	18	31									
8700 87066553DA	18	42									
8700 87067403DA	18	35									
8700 87067403DA	18	46									
8700 87067720DA	18	12									
8700 87070050DA	18	53									
8700 87071603DA	18	60									
8700 AM0104006DN	6	44									
8700 AM0104008DN	6	52									
8700 AM0104008DN	6	56									
8700 AM0104008DN	16	11									
8700 AM0104008DN	22	30									
8700 AM0104010DN	16	2									
8700 AM0104010DN	16	21									
8700 AM0104010DN	32	26									
8700 AM0104012DN	16	23									
8700 AM0105008DN	16	9									
8700 AM0106008DN	6	54									
8700 AM0106014DN	18	72									
8700 AM0206018HN	16	7									