



Spare parts list
Katalog náhradních dílů

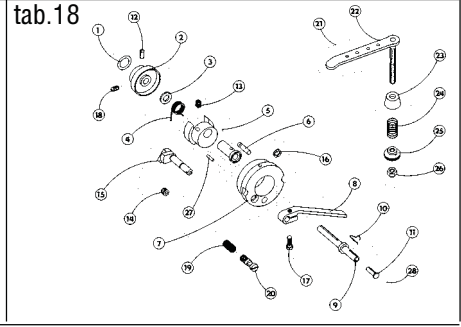
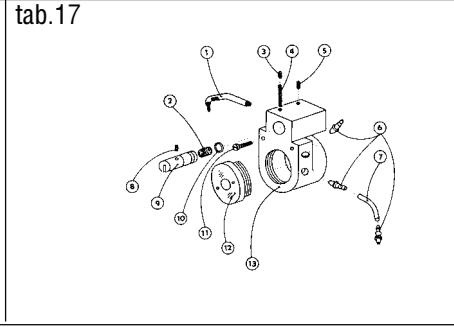
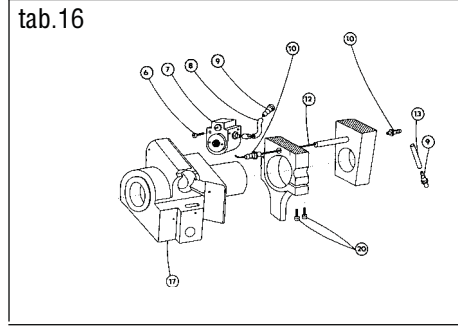
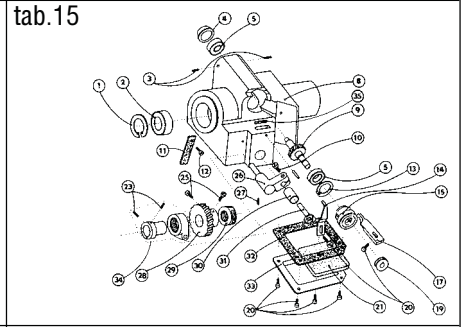
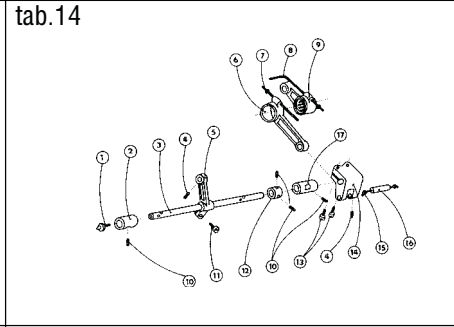
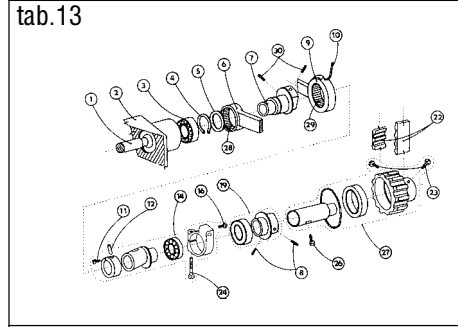
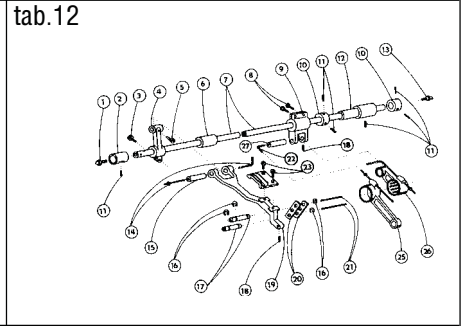
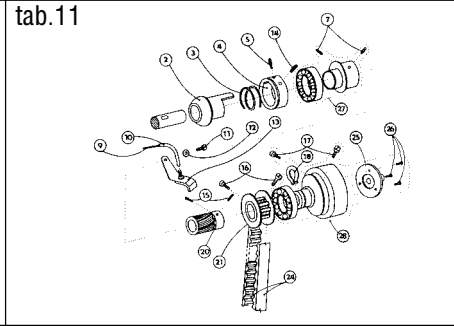
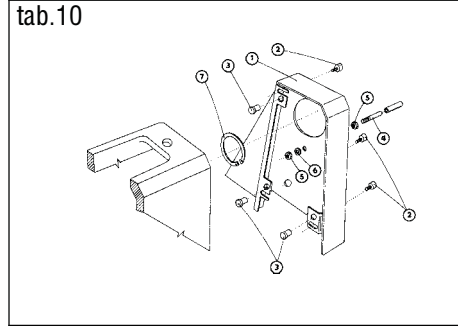
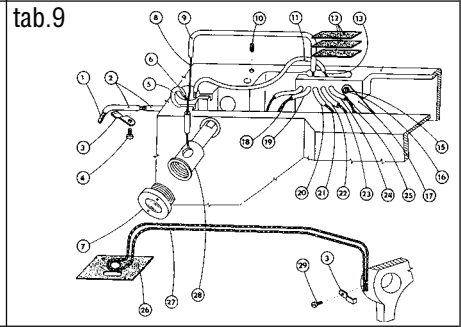
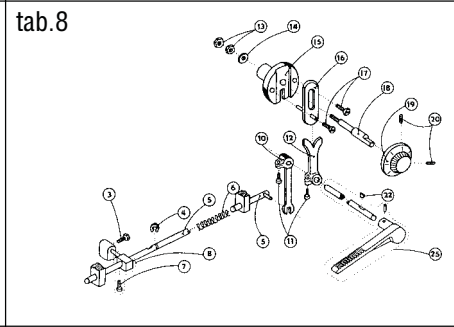
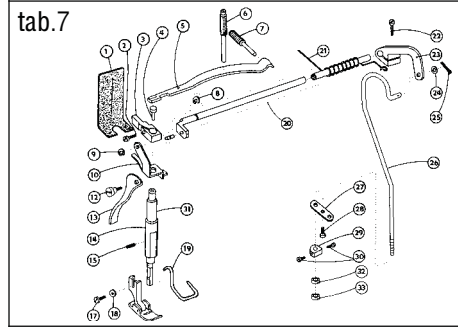
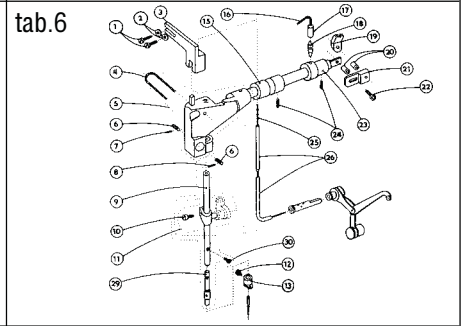
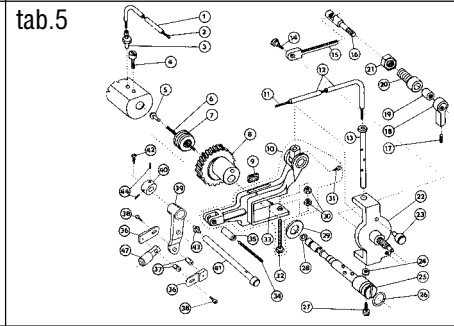
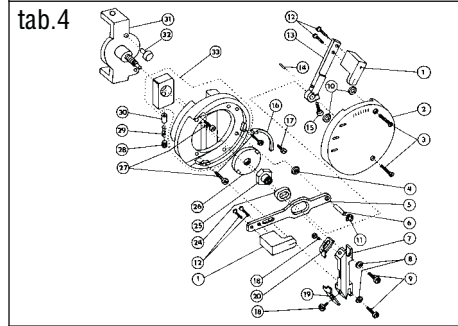
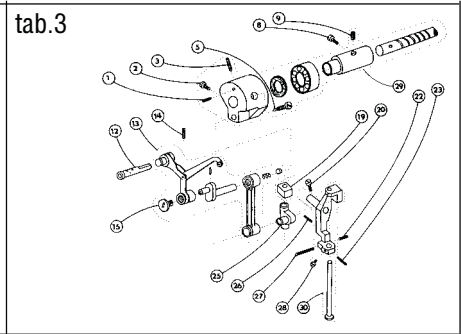
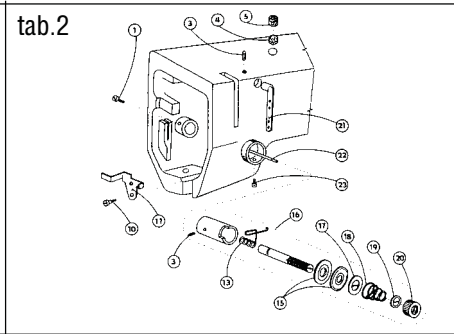
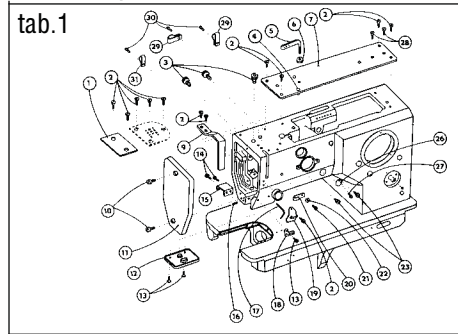
524 - 101

**Jednoehlový šicí stroj s klikatým stehem, ponorným podáváním
a ručním zpátkováním**

**Single needle lockstitch zigzag machine with bottom feed,
manual backtacking**

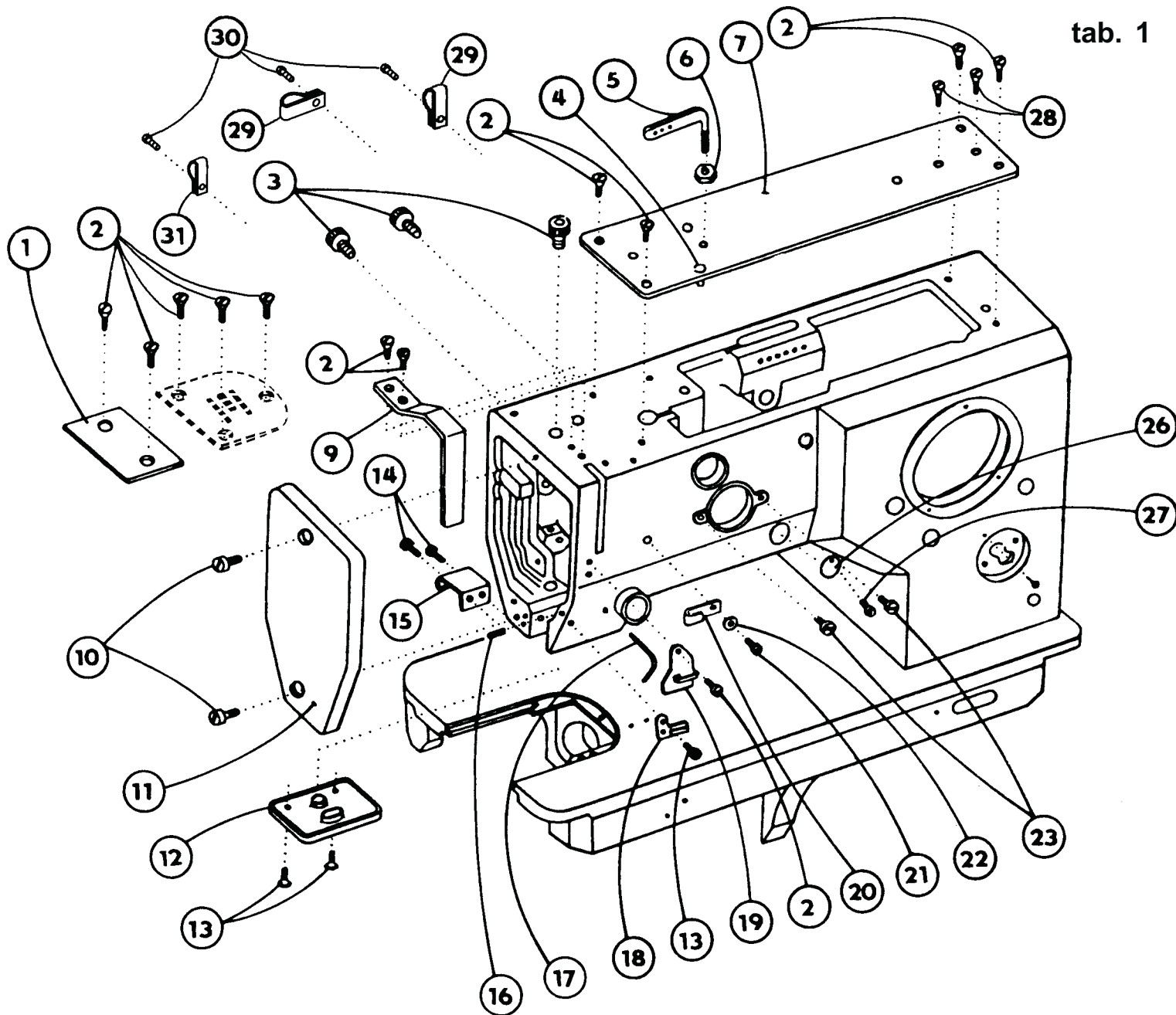
524-101

OBSAH : - Contents:
Dílce hlavy - Parts of head



Číslo tabulky Table No.	Objednací číslo Ordered No.		Název objektu Denomination
tab.19	S980 008250		Chapač Hook
Příbal - Enclosed accessories			
tab. 20	S980 099038	Standard	Zvláštní příslušenství /1 Accessories/1
tab. 21	S980 099038	Standard	Zvláštní příslušenství /2 Accessories/2
tab. 22	S980 099038	Standard	Zvláštní příslušenství /3 Accessories/3
tab. 23	S980 099038	Standard	Zvláštní příslušenství /4 Accessories/4
tab. 24	S980 099038	Standard	Zvláštní příslušenství /5 Accessories/5
tab. 25	S980 092229	Standard	SND Spare parts kit
Nutné vybavení - Necessary equipment			
tab. 26	S791 995068	Standard	Díly pro zpátkování pedálem Parts of backtacking (with pedal)
Šicí vybavení - Sewing equipment			
Tabulka šicích vybavení - Table of sewing equipments			
tab. 27	S791 124033 35	Standard	Šicí vybavení Sewing equipment
tab. 27	S791 124034 35		Šicí vybavení Sewing equipment
tab. 28	S791 124032 35		Šicí vybavení Sewing equipment
tab. 28	S791 124075 35		Šicí vybavení Sewing equipment
Volitelné vybavení - Optional equipment			
tab. 29	S791 151016		Otevřená patka Hinged foot with front thread slit
tab. 29	S791 151017		Otevřená patka Hinged foot with front thread slit
tab. 30	S791 149001		Vybavení pro obnitkování okrajů Attachment for serging operation
tab. 31	S791 947001		Ustavovací měrky Adjustment gauges
tab. 32	S741 610118 40		Sada rychlepotřebitelných náhradních dílů High mortality spare parts kit
tab. 33	S794 222012		Návěsné osvětlení Sewing lamp

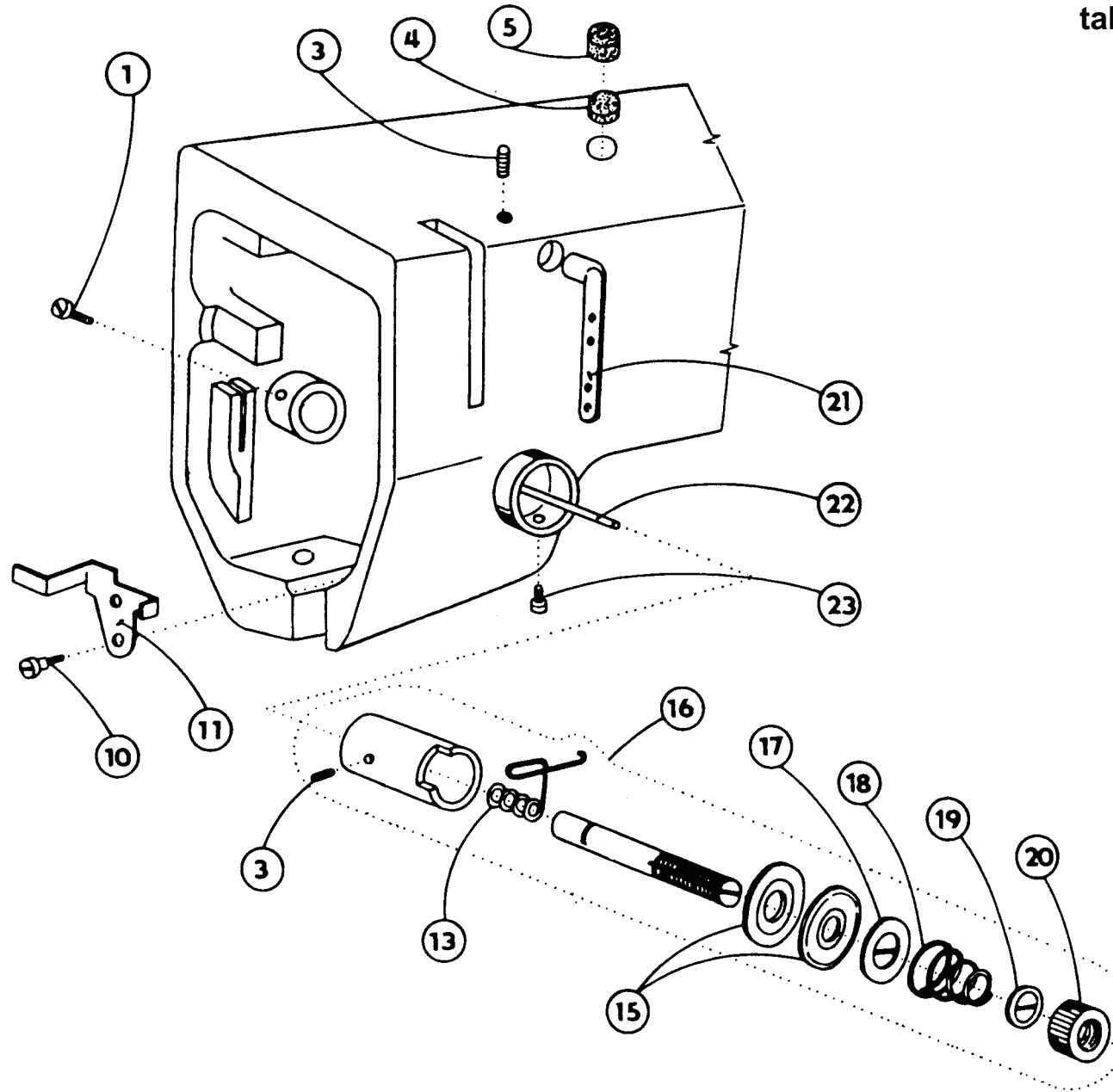
tab. 1



524 - 101

1	S080	647228
2	S080	123117
3	S321	001000
4	S080	840073
5	S080	313204
6	S080	161138
7	S080	815007
9	S080	831348
10	S080	120248
11	S080	721173
12	S080	827180
13	S080	123122
14	S080	126063
15	S080	823149
16	S080	111227
17	S080	271184
18	S080	821115
19	S080	821077
20	S080	821113
21	S080	120361
22	S080	190368
23	S080	132112
26	S080	831494
27	S080	123166
28	S080	132153
29	9840	120030
30	S080	120331
31	9840	120028

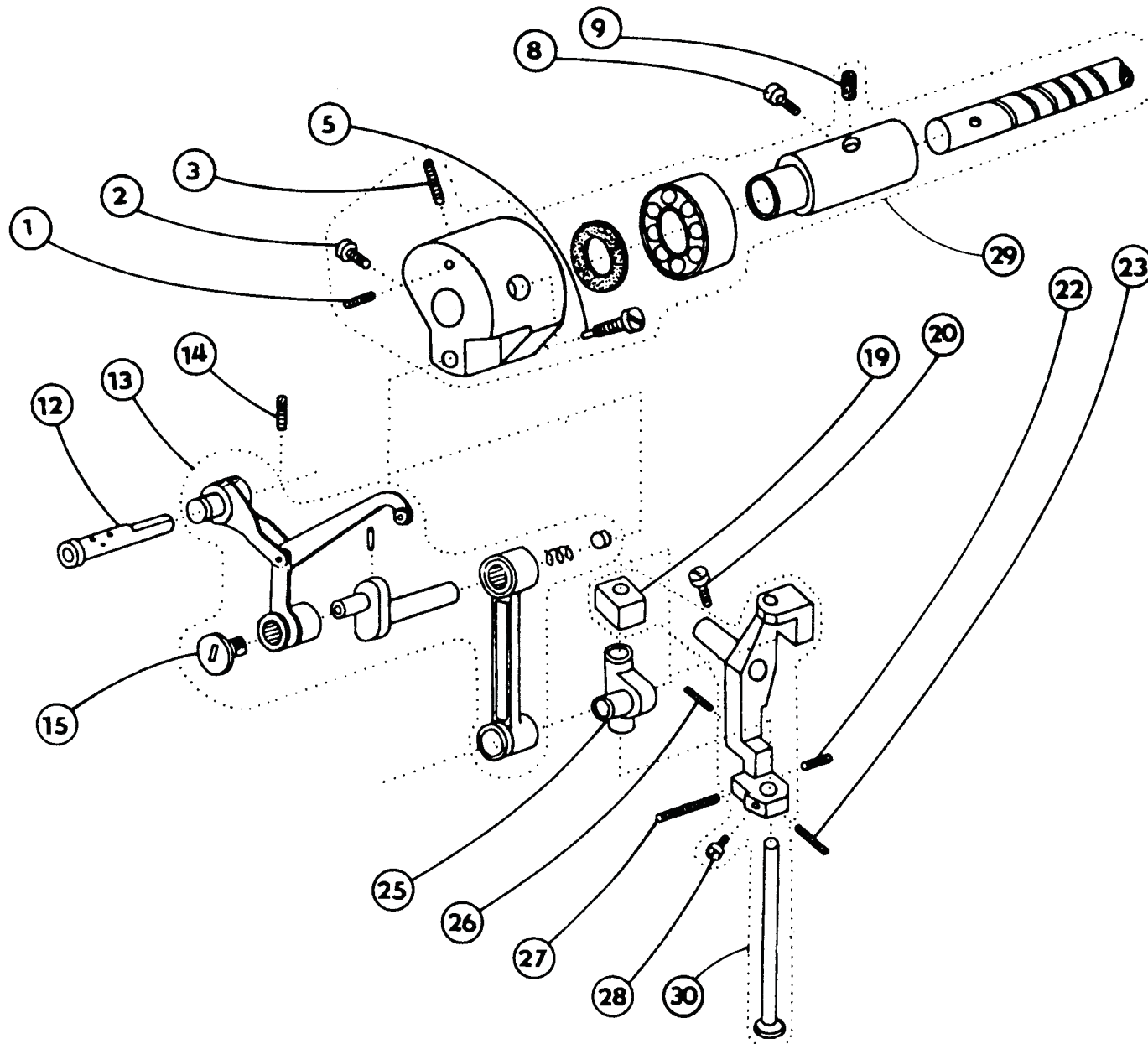
tab. 2



524 - 101

1	S080	120248
3	S080	111227
4	S080	945100
5	S080	945188
10	S080	131027
11	S080	822424
13	S315	264294
15	S080	828079
16	S980	025245
17	S080	828080
18	S080	262073
19	S080	195041
20	S080	171037
21	S080	272039
22	S080	310428
23	S080	120246

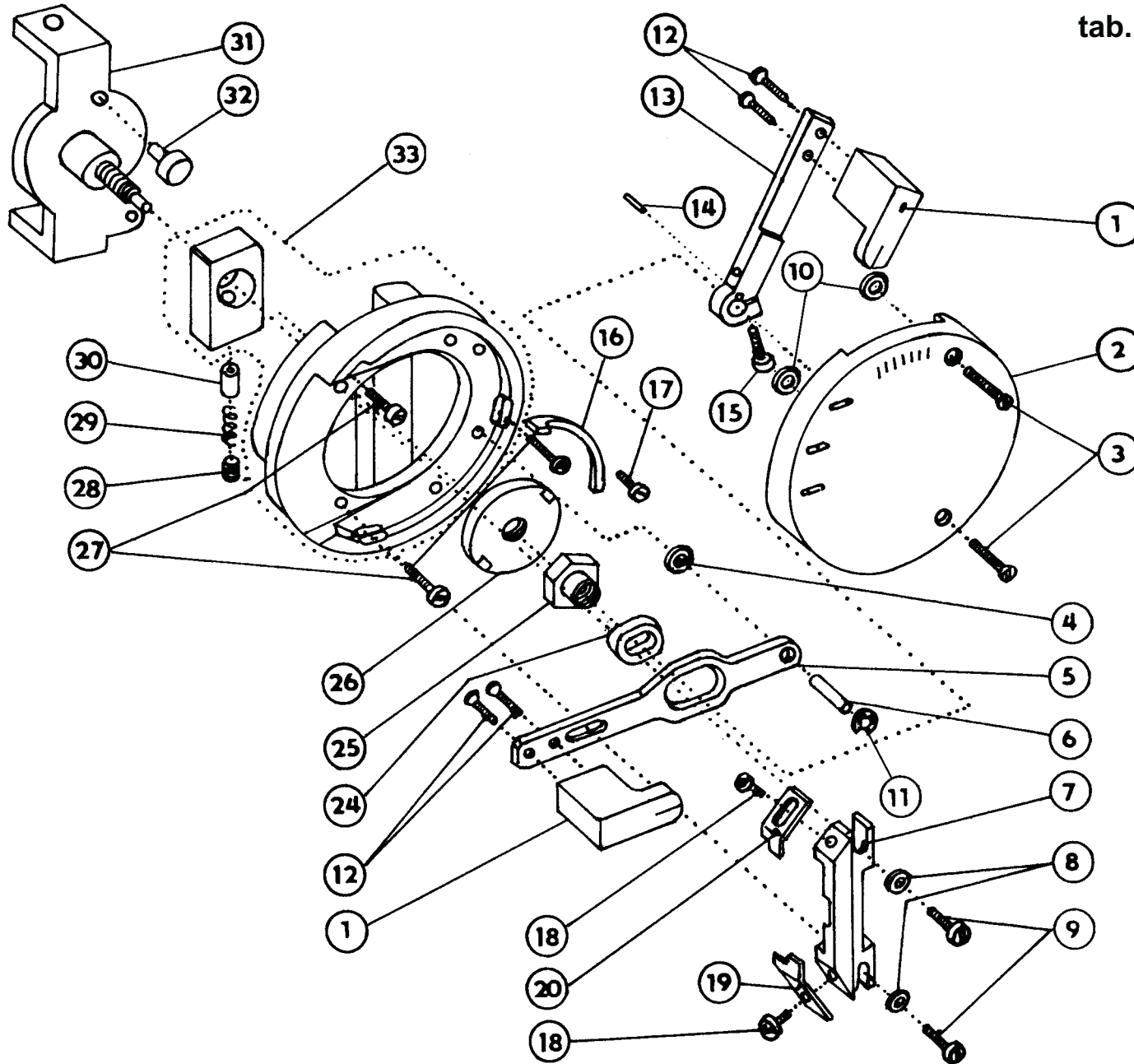
tab. 3



524 - 101

1	S080	111238
2	S080	122008
3	S080	112015
5	S080	138009
8	S080	120006
9	S 080	953139
12	S080	328005
13	S980	044727
14	S080	112014
15	S080	120062
19	S080	953159
20	S080	120248
22	S080	111214
23	S080	111295
25	S080	452047
26	S080	111273
27	S080	111126
28	S080	120216
29	S980	043298
30	S980	035318

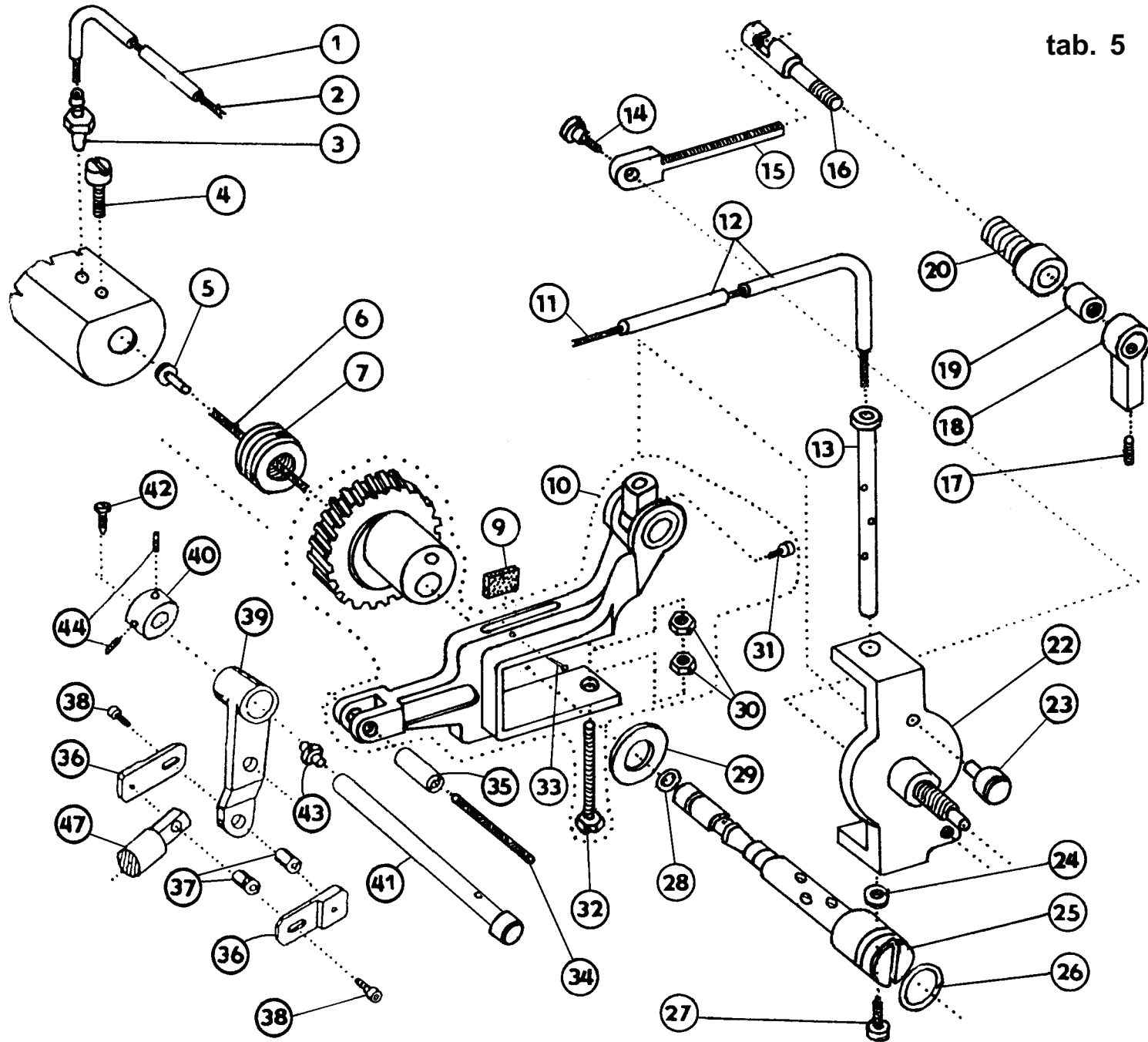
tab. 4



524 - 101

1	S080	952251
2	S080	954046
3	S080	123130
4	S080	192061
5	S080	633194
6	S080	310190
7	S080	647220
8	S080	190353
9	S080	120324
10	S273	959814
11	S311	732040
12	S080	126101
13	S080	613472
14	S311	515006
15	S080	120543
16	S080	839010
17	S080	120218
18	S080	120217
19	S080	825857
20	S080	825858
24	S080	413328
25	S080	161229
26	S080	174066
27	S080	120276
28	S080	111099
29	S080	260139
30	S321	020000
31	S080	646027
32	S080	322247
33	S980	035505

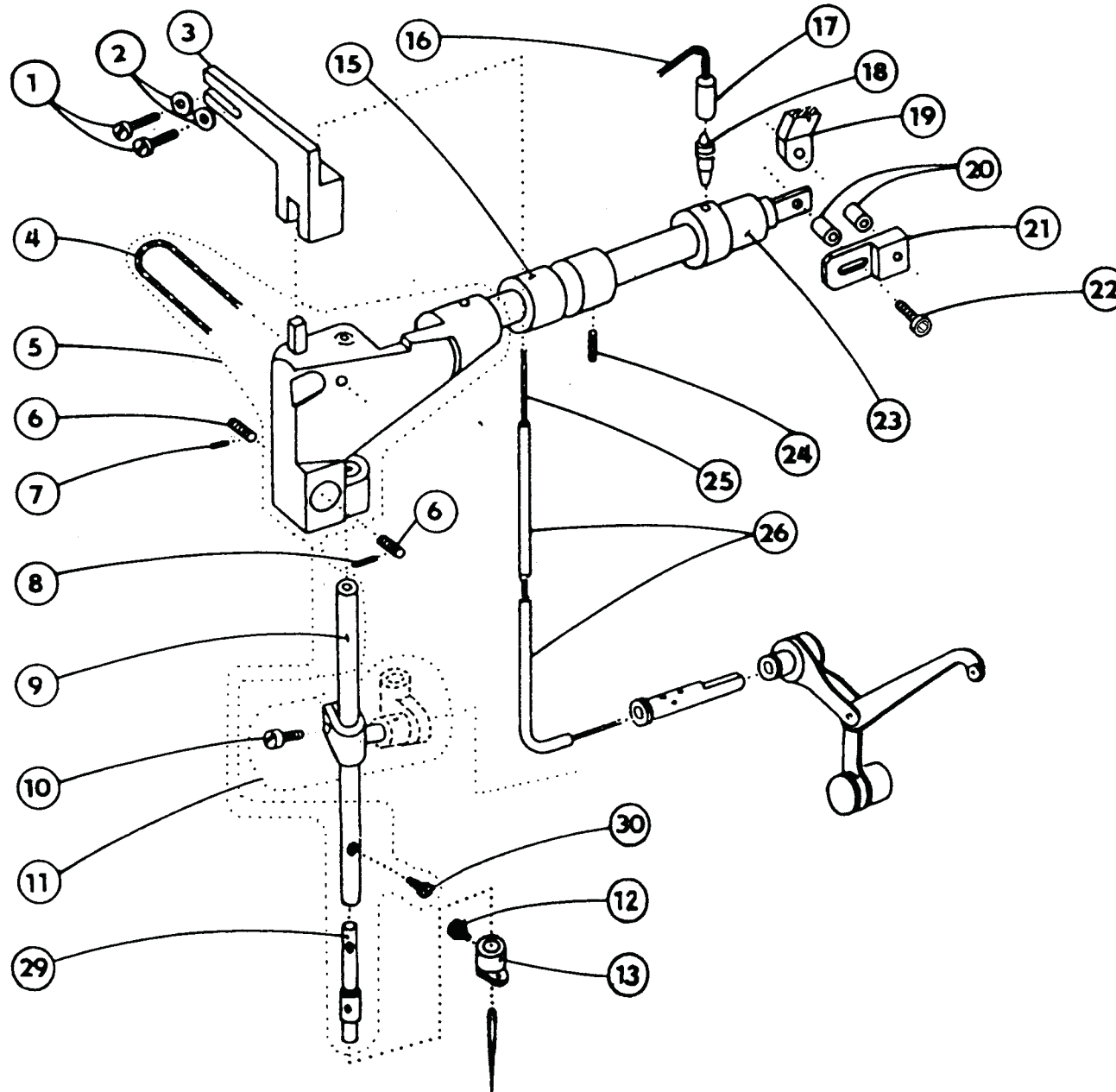
tab. 5



524 - 101

1	S283	002005
	ø 3,5/ø 4,8 x 100 mm	
2	S708	130002
	ø 2 x 140 mm	
3	S080	424051
4	S080	120233
5	S080	951327
6	S708	002105
	ø 1,5 x 150 mm	
7	S324	010000
9	S080	945326
10	S980	035376
11	S708	130002
	ø 2 x 270 mm	
12	S283	002005
	ø 3,5/ø 4,8 x 210 mm	
13	S080	335101
14	S080	131391
15	S080	152099
16	S080	334097
17	S080	112101
18	S080	612342
19	S080	163093
20	S080	422184
22	S080	646027
23	S080	322247
24	S080	190359
25	S080	335105
26	S273	007000
27	S080	120221
28	S273	001001
29	S080	190526
30	S080	161233
31	S080	120291
32	S080	141223
33	S738	002000
34	S708	130002
	ø 2 x 150 mm	
35	S080	318210
36	S080	648132
37	S080	410595
38	S080	120589
39	S080	613519
40	S080	436000
41	S080	320289
42	S080	132203
43	S425	041000
44	S080	112013
47	S980	021353

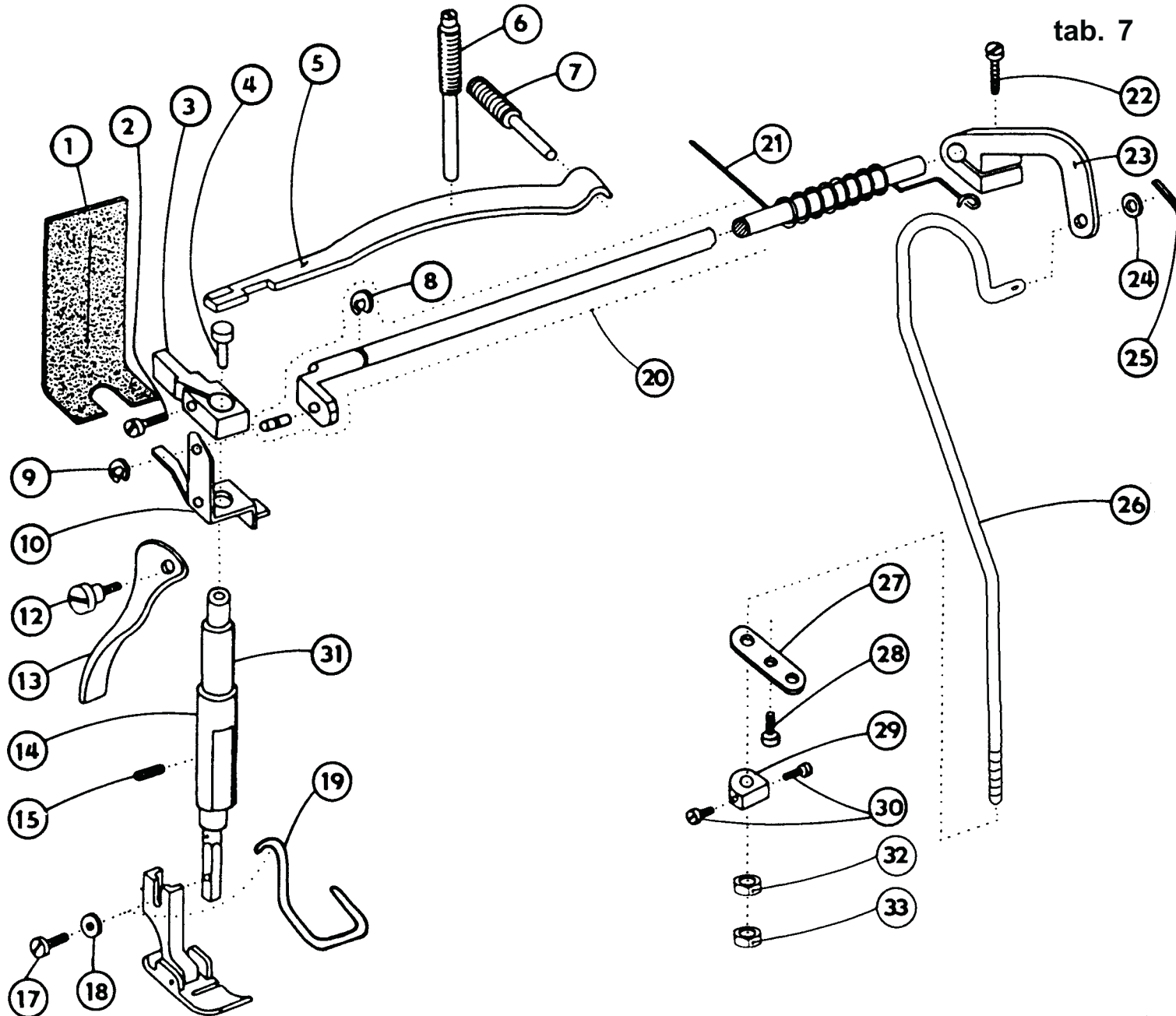
tab. 6



524 - 101

1	S080	120276
2	S080	190353
3	S080	646104
4	S708	002105
		ø 1,5 x 80 mm
5	S980	021338
6	S080	113115
7	S080	111229
8	S080	111248
9	S080	391155
10	S080	124050
11	S980	035499
12	S080	135029
13	S080	627170
15	S080	413311
16	S708	002105
		ø 1,5x 250 mm
17	S283	002005
		ø 3,5/ø 4,8 x 190 mm
18	S080	424051
19	S080	613519
20	S080	410595
21	S080	648132
22	S080	120589
23	S080	421341
24	S080	111222
25	S708	002105
		ø 1,5 x 150 mm
26	S283	002005
		ø 3,5/ø 4,8 x 70 mm
29	S080	394 167
30	S080	136 082

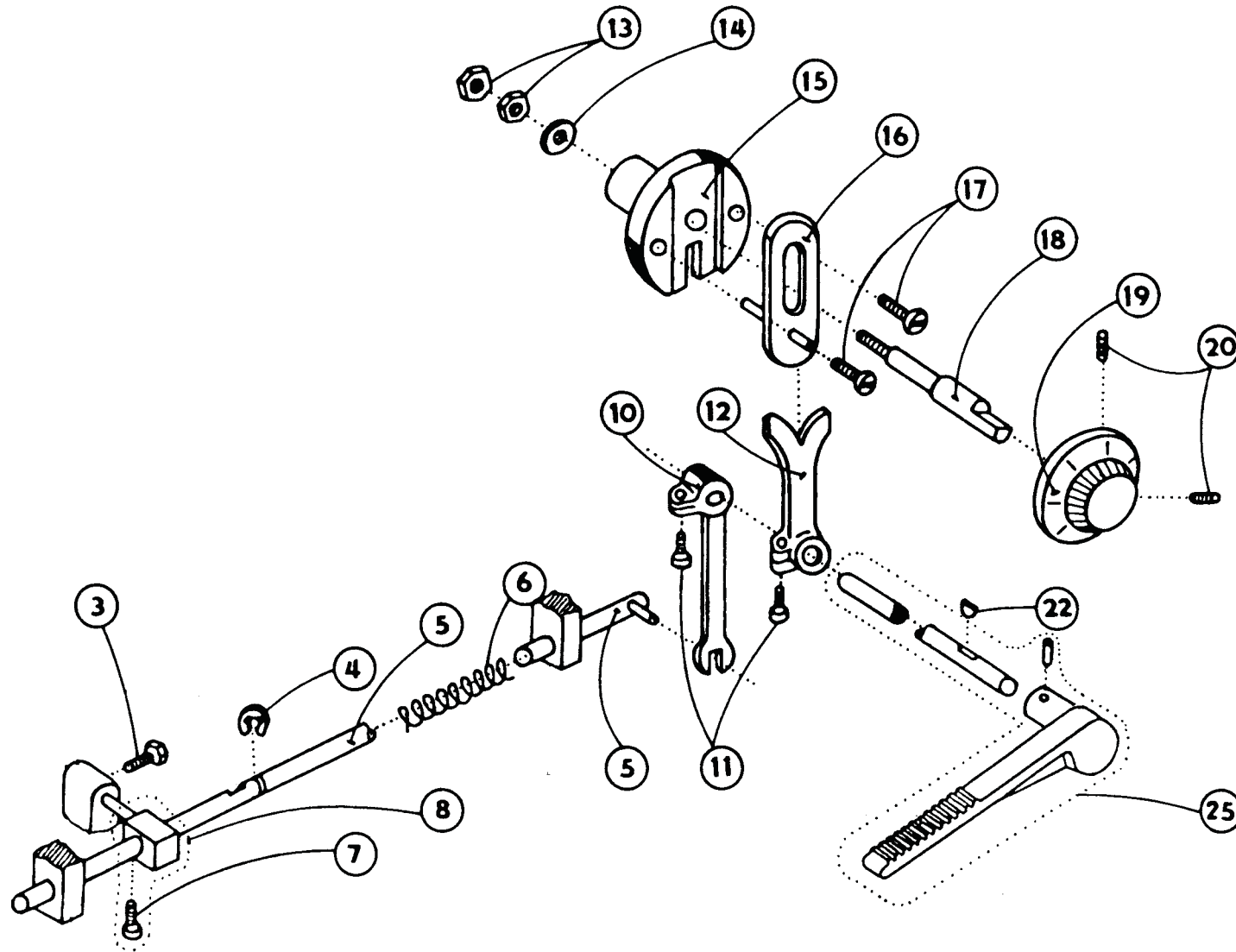
tab. 7



524 - 101

1	S080	945317
2	S080	120543
3	S080	623249
4	S080	326213
5	S080	283152
6	S080	113122
7	S080	113123
8	S311	732060
9	S311	732040
10	S080	839215
12	S080	136023
13	S080	615021
14	S080	421330
15	S080	112014
17	S080	120239
18	S080	190554
19	S080	271393
20	S980	060209
21	S080	264288
22	S080	120221
23	S080	633196
24	S080	190346
25	S080	271337
26	S080	382101
27	S080	814014
28	S080	120217
29	S080	436331
30	S080	120050
31	S080	392105
32	S080	161139
33	S080	161333

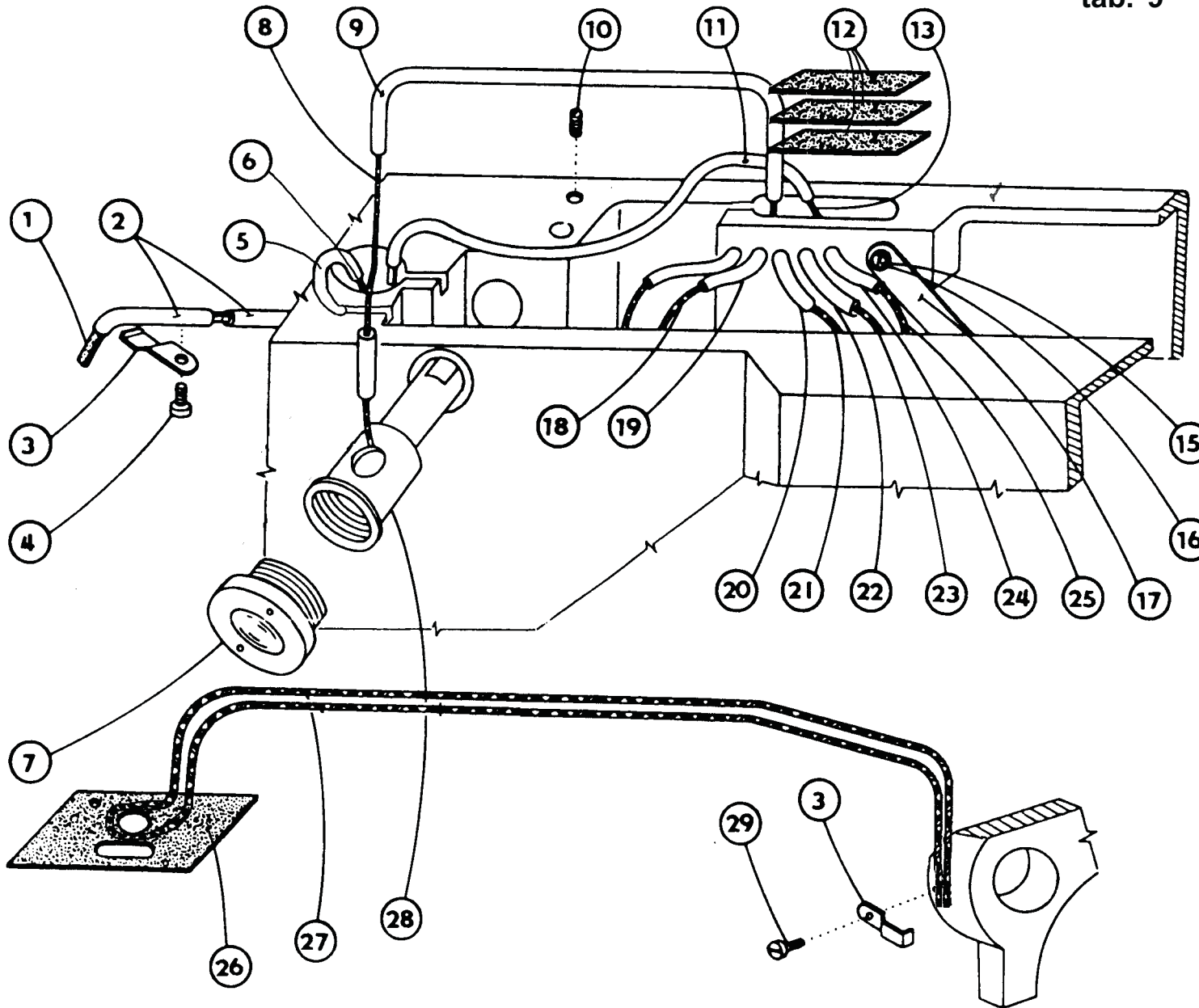
tab. 8



524 - 101

3	S080	141102
4	S311	732070
5	S980	043301
6	S080	260547
7	S080	120227
8	S980	022126
10	S080	613373
11	S080	120221
12	S080	613328
13	S080	161142
14	S080	192061
15	S080	441187
16	S980	049785
17	S080	120246
18	S080	342258
19	S980	233031
20	S080	112013
22	S311	728537
25	S980	044714

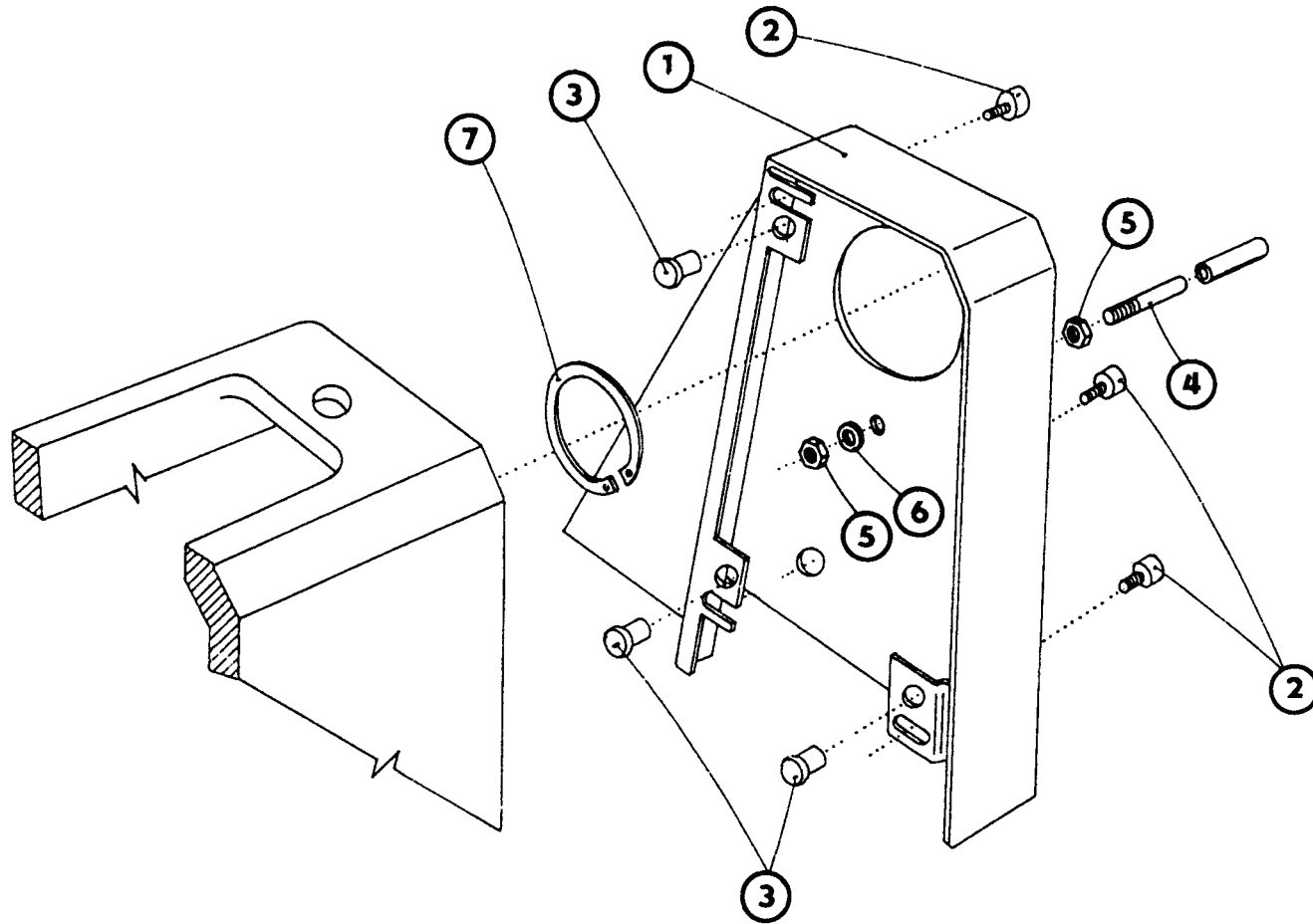
tab. 9



524 - 101

- | | | |
|----|------|----------------------|
| 1 | S080 | 945180 |
| 2 | S283 | 002005 |
| | | ø 3,5/ø 4,8 x 65 mm |
| 3 | S080 | 824095 |
| 4 | S080 | 120245 |
| 5 | S283 | 002005 |
| | | ø 3,5/ø 4,8 x 80 mm |
| 6 | S708 | 130002 |
| | | ø 2 x 140 mm |
| 7 | S321 | 001002 |
| 8 | S708 | 002105 |
| | | ø 1,5 x 380 mm |
| 9 | S283 | 002005 |
| | | ø 3,5/ø 4,8 x 150 mm |
| 10 | S080 | 111245 |
| 11 | S283 | 002005 |
| | | ø 3,5/ø 4,8 x 150 mm |
| 12 | S080 | 945316 |
| 13 | S708 | 002105 |
| | | ø 1,5 x 380 mm |
| 14 | S080 | 120259 |
| 15 | S080 | 190359 |
| 16 | S980 | 041176 |
| 17 | S708 | 130002 |
| | | ø 2 x 320 mm |
| 18 | S283 | 002005 |
| | | ø 3,5/ø 4,8 x 250 mm |
| 19 | S283 | 002005 |
| | | ø 3,5/ø 4,8 x 210 mm |
| 20 | S708 | 130002 |
| | | ø 2 x 270 mm |
| 21 | S283 | 002005 |
| | | ø 3,5/ø 4,8 x 90 mm |
| 22 | S708 | 130002 |
| | | ø 2 x 130 mm |
| 23 | S283 | 002005 |
| | | ø 3,5/ø 4,8 x 100 mm |
| 24 | S708 | 130002 |
| | | ø 2 x 140 mm |
| 25 | S080 | 945286 |
| 26 | S708 | 130004 |
| | | ø 4 x 1120 mm |
| 27 | S080 | 441313 |
| 28 | S080 | 120216 |
| 29 | | |

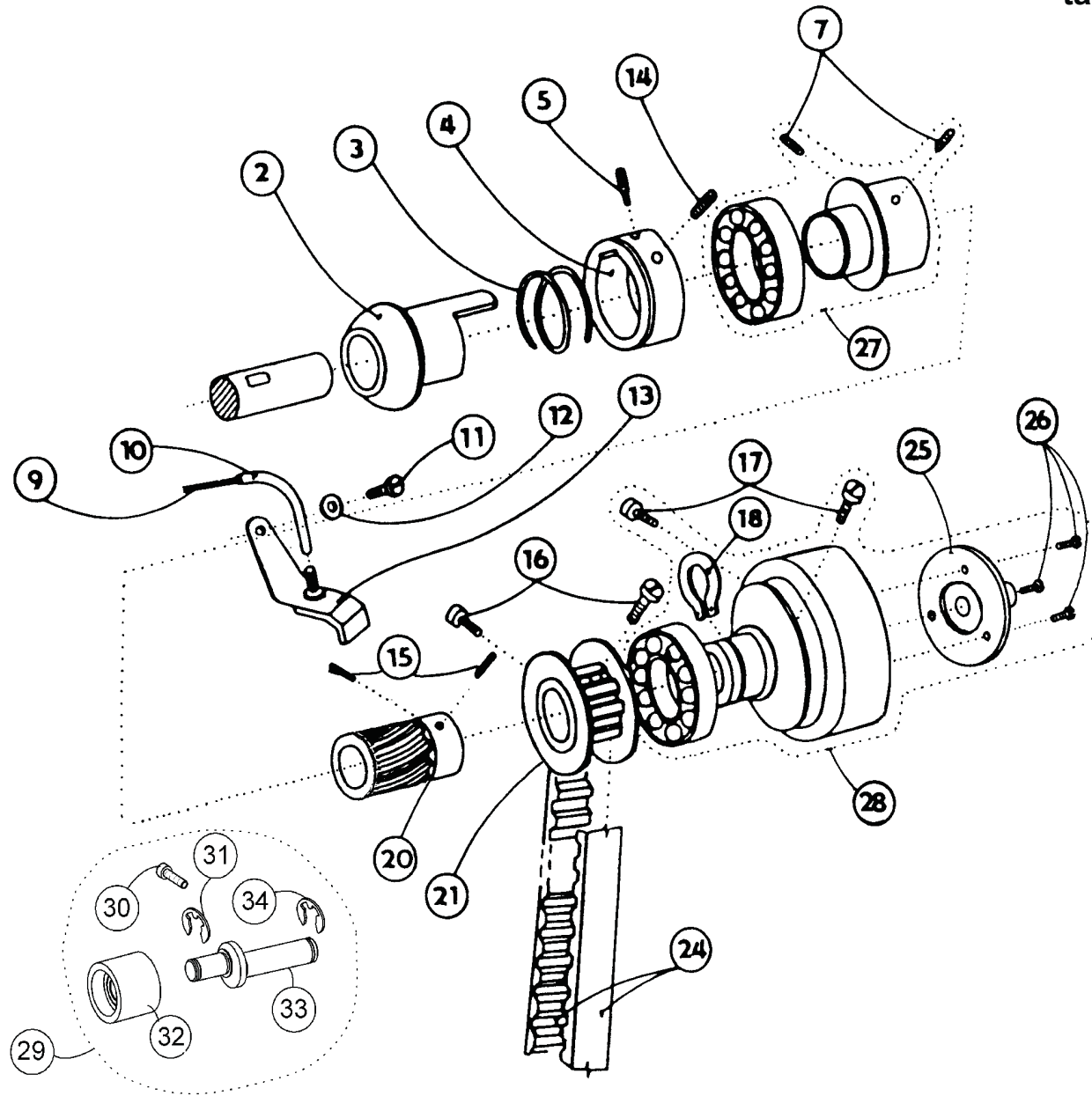
tab. 10



524 - 101

- | | | |
|---|------|--------|
| 1 | S980 | 041162 |
| 2 | S080 | 120346 |
| 3 | S273 | 005001 |
| 4 | S080 | 316096 |
| 5 | S080 | 161151 |
| 6 | S080 | 191112 |
| 7 | S311 | 733620 |

tab. 11

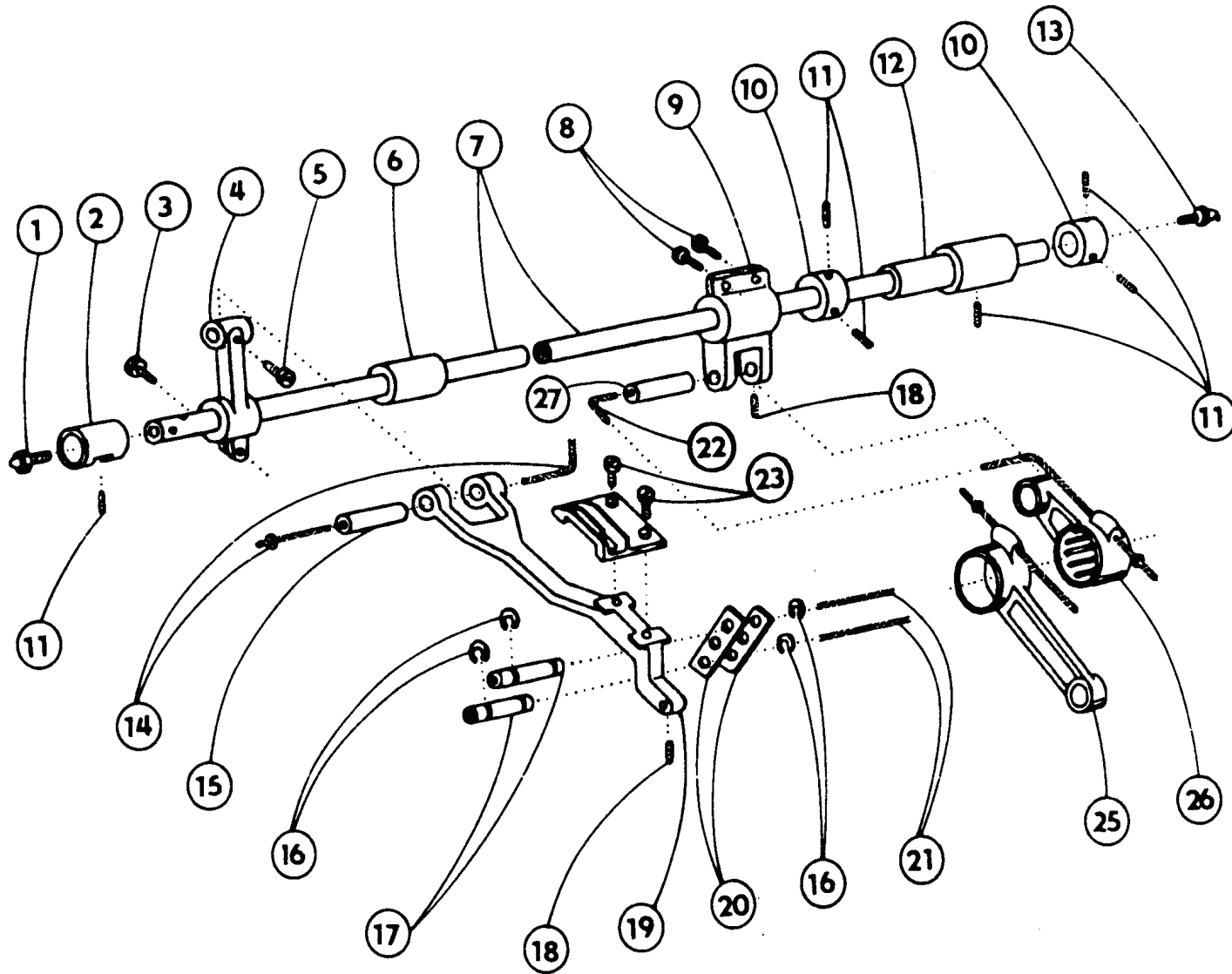


524 - 101

2	S080	441541
3	S080	260467
4	S080	436338
5	S080	113115
7	S080	111225
9	S708	130002 ø 2 x 130 mm
10	S283	002005 ø 3,5/ø 4,8 x 90 mm
11	S080	120259
12	S080	190359
13	S980	041176
14	S080	112013
15	S080	111343
16	S080	122029
17	S080	120006
18	S311	733300
20	S980	045330
21	S980	045315
24	S272	011015
25	S080	442548
26	S080	120252
27	S980	035849
28	S980	045301
29	S981	043513
30	9205	102798
31	9352	000090
32	S980	045578
33	S080	338247
34	9352	000100

tab. 12

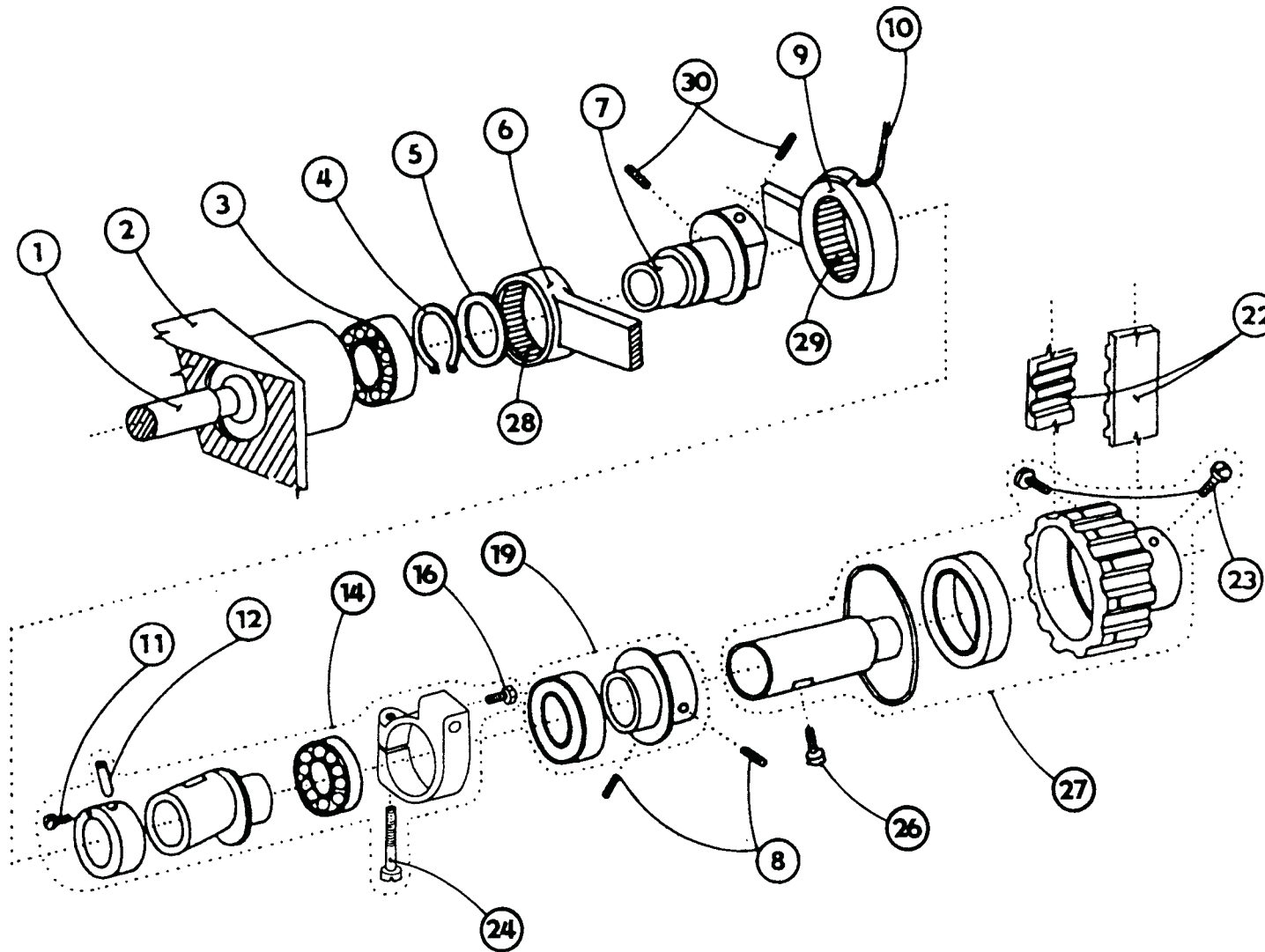
524 - 101



1	S425	041000
2	S080	413252
3	S080	141133
4	S080	613495
5	S080	124050
6	S080	410532
7	S080	345067
8	S080	120229
9	S080	613216
10	S080	436000
11	S080	112013
12	S080	412193
13	S425	061000
14	S708	002105
		ø 1,5 x 160 mm
15	S080	338069
16	S311	732050
17	S080	318144
18	S080	111227
19	S080	622092
20	S080	612109
21	S708	002105
		ø 1,5 x 60 mm
22	S708	002105
		ø 1,5 x 350 mm
23	S080	121157
25	S080	630248
26	S980	044045
27	S080	344035

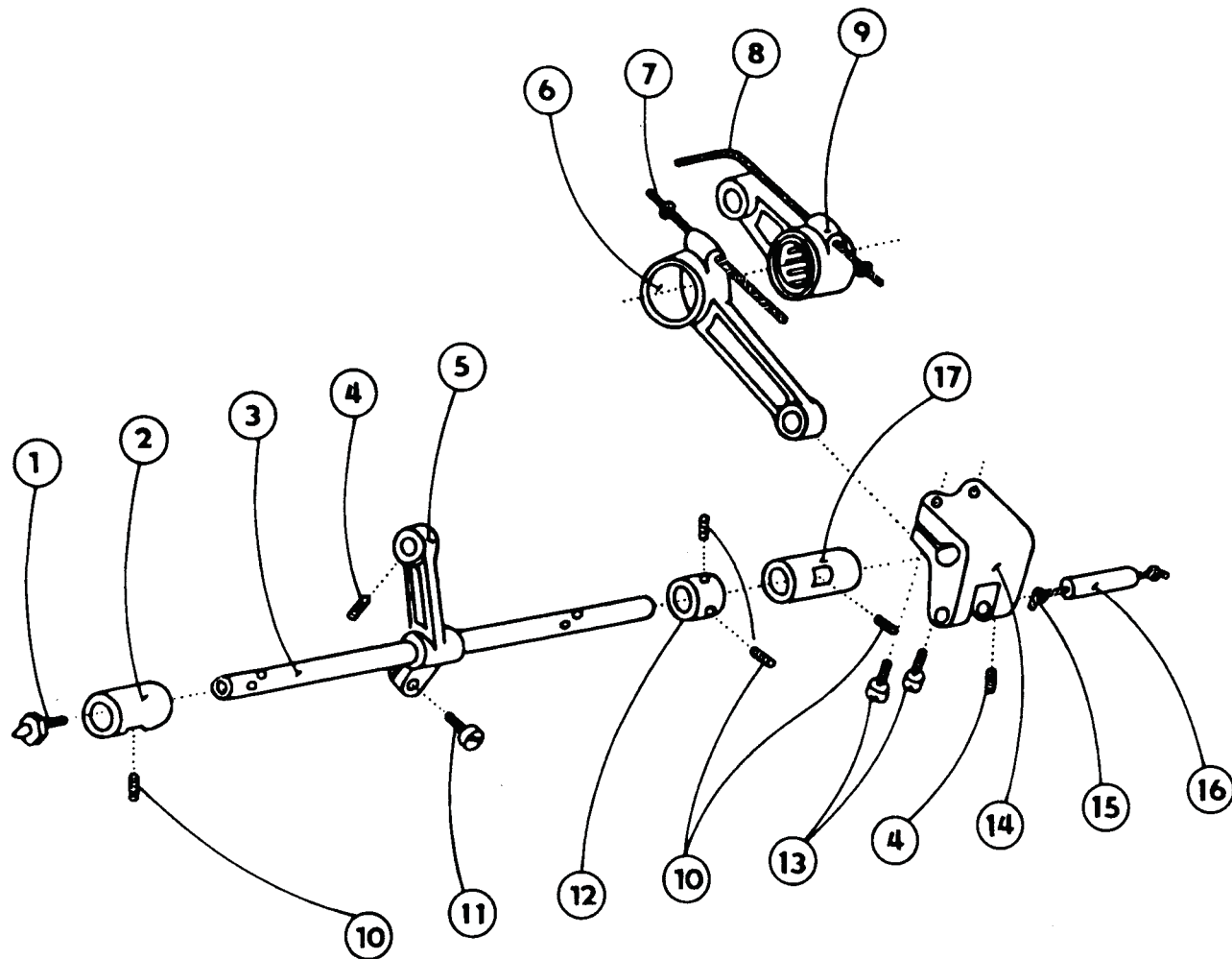
tab. 13

524 - 101



1	S080	342243
2	S080	724134
3	S324	020093
4	S311	733180
5	S080	814338
6	S080	630248
7	S080	671152
8	S080	112013
9	S980	044045
10	S708	002105
		ø 1,5 x 350 mm
11	S080	141088
12	S080	318103
14	S980	035422
16	S080	141102
19	S980	035420
22	S272	011015
23	S080	122029
24	S080	120222
26	S080	122031
27	S980	045231
28	S324	510900
29	S324	512900
30	S080	111343

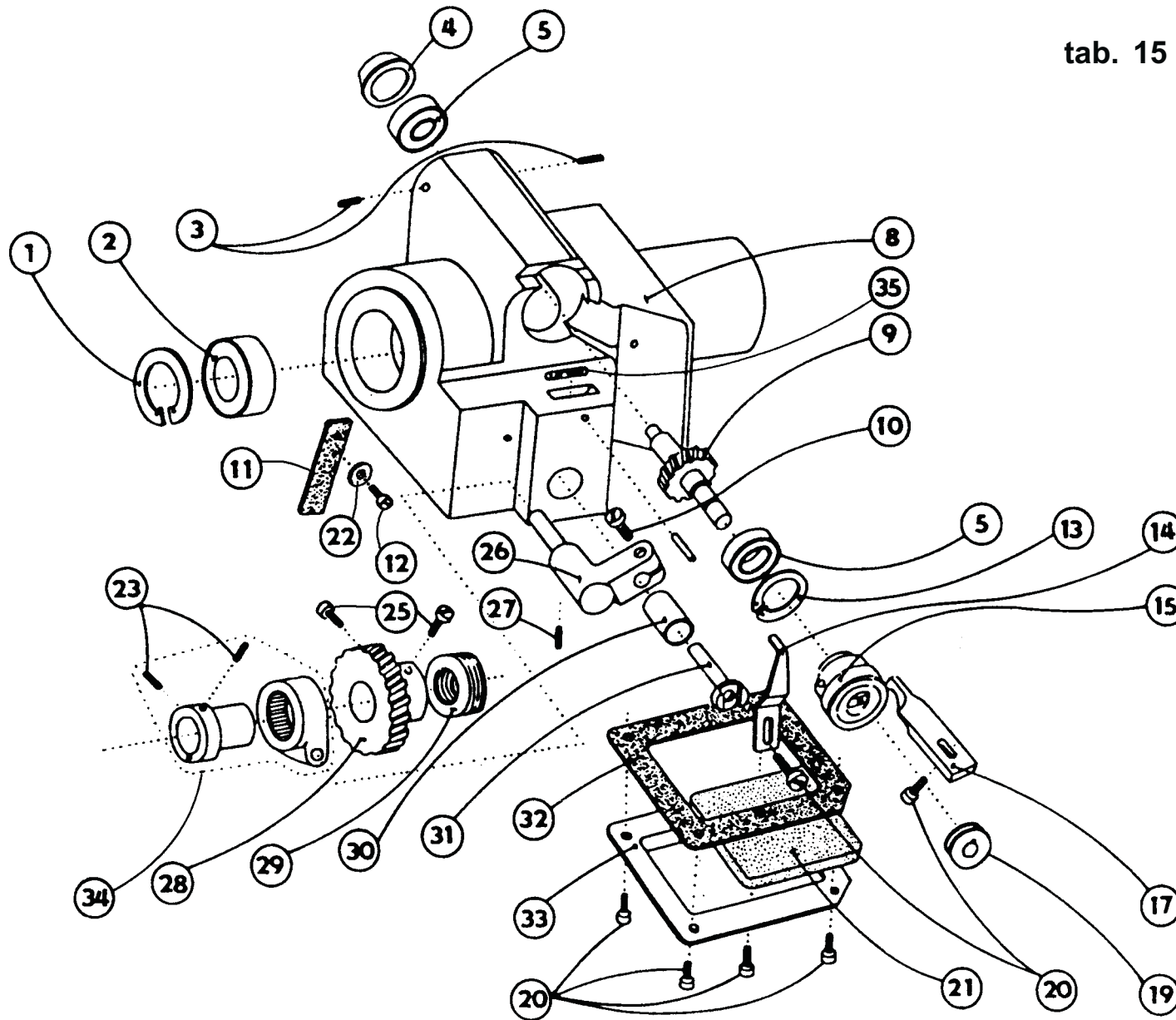
tab. 14



524 - 101

- | | | |
|----|------|----------------|
| 1 | S425 | 041000 |
| 2 | S080 | 413251 |
| 3 | S080 | 345065 |
| 4 | S080 | 111227 |
| 5 | S080 | 613195 |
| 6 | S080 | 630248 |
| 7 | S708 | 002105 |
| | | ø 1,5 x 220 mm |
| 8 | S708 | 002105 |
| | | ø 1,5 x 350 mm |
| 9 | S980 | 044045 |
| 10 | S080 | 112013 |
| 11 | S080 | 120229 |
| 12 | S080 | 436000 |
| 13 | S080 | 120231 |
| 14 | S080 | 613152 |
| 15 | S708 | 130002 |
| | | ø 2 x 60 mm |
| 16 | S080 | 344035 |
| 17 | S080 | 410538 |

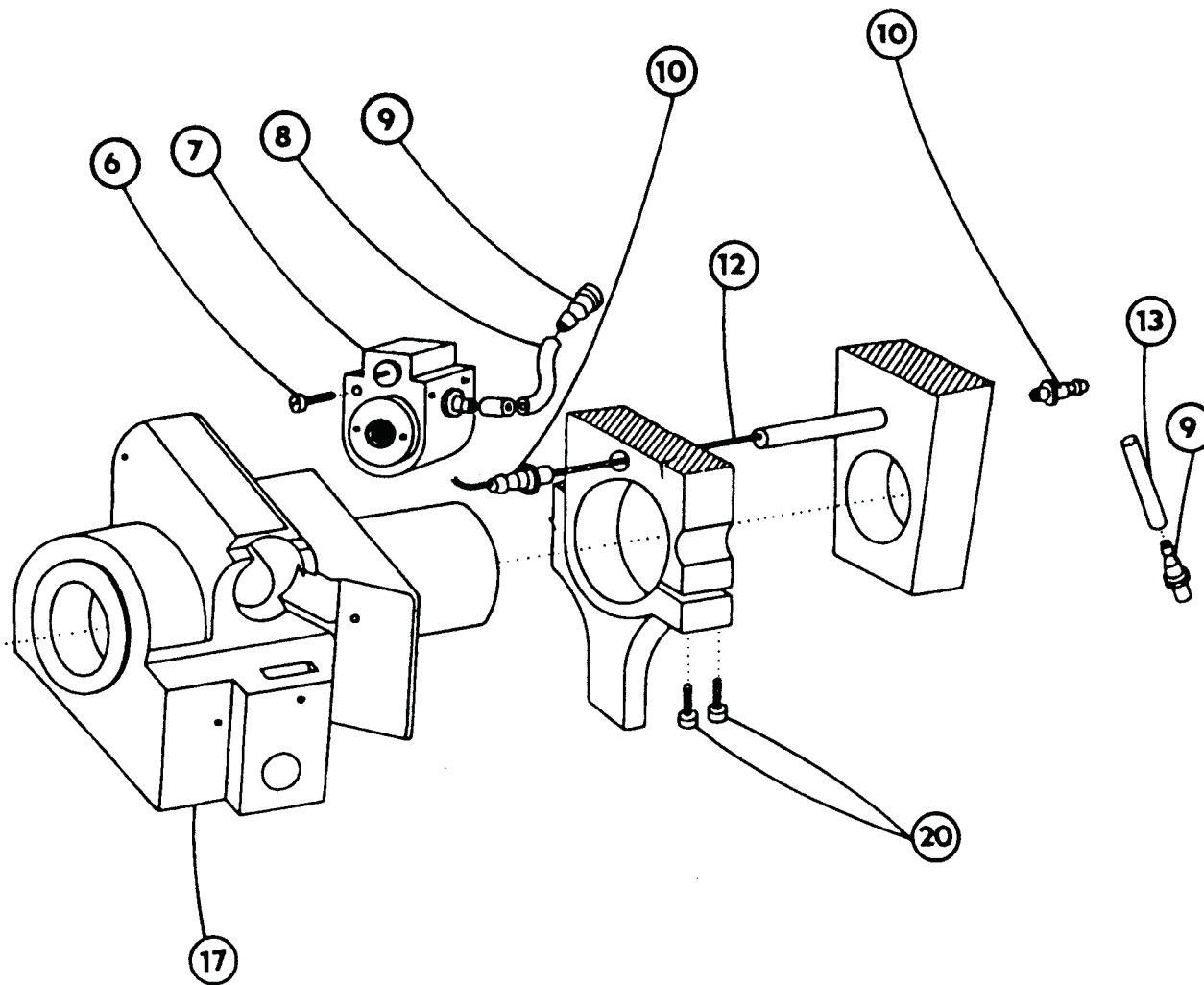
tab. 15



524 - 101

1	S311	733261
2	S324	920796
3	S080	111219
4	S080	441287
5	S324	910093
8	S080	724134
9	S080	552168
10	S080	120226
11	S080	945283
12	S080	120601
13	S311	733221
14	S080	825740
15	S980	008250
17	S080	825744
19	S080	685051
20	S080	120246
21	S080	945285
22	S080	190379
23	S080	111343
25	S080	122007
26	S080	613466
27	S080	111094
28	S 080	552167
29	S324	010000
30	S080	410530
31	S080	323155
32	S080	990134
33	S080	827179
34	S980	035406
35	S708	130002
		ø 2 x 40 mm

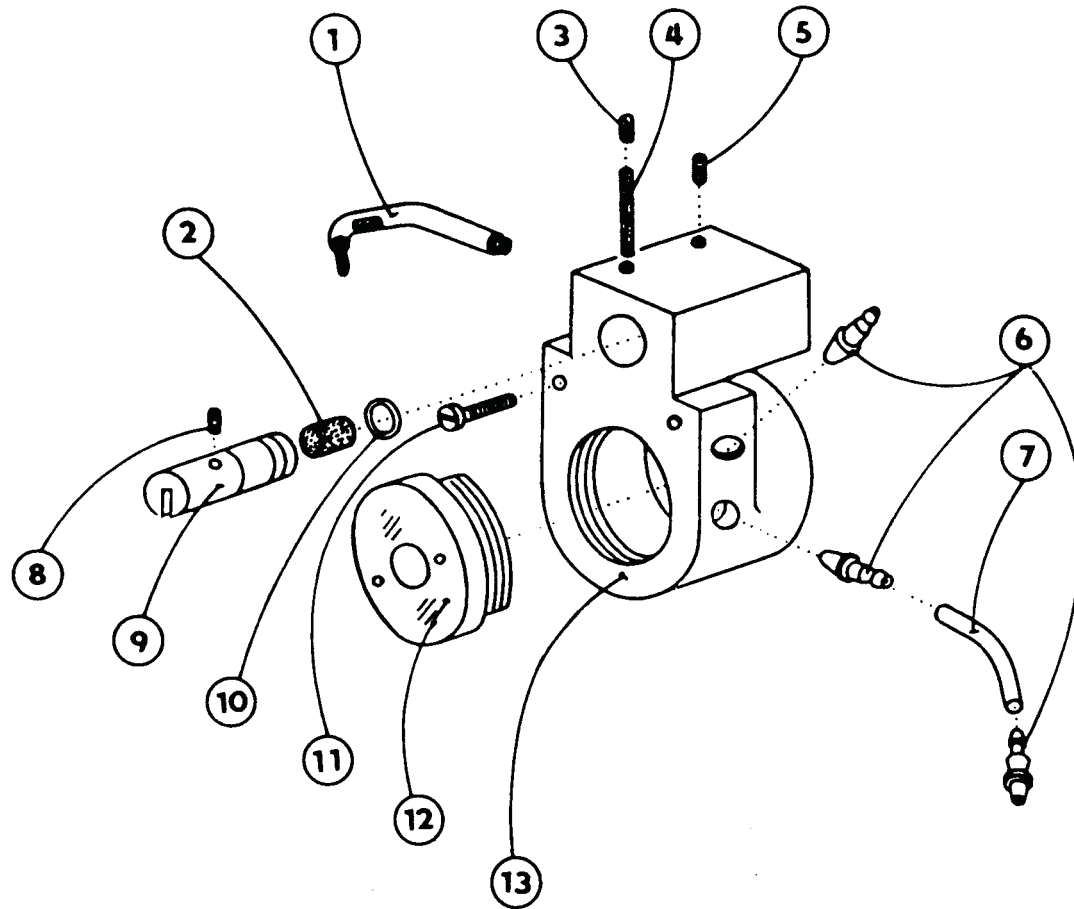
tab. 16



524 - 101

6	S080	120269
7	S980	035527
8	S283	002005
9	S080	424051
10	S080	424060
12	S708	130005
13	S283	002005
17	S080	724134
20	S080	120425

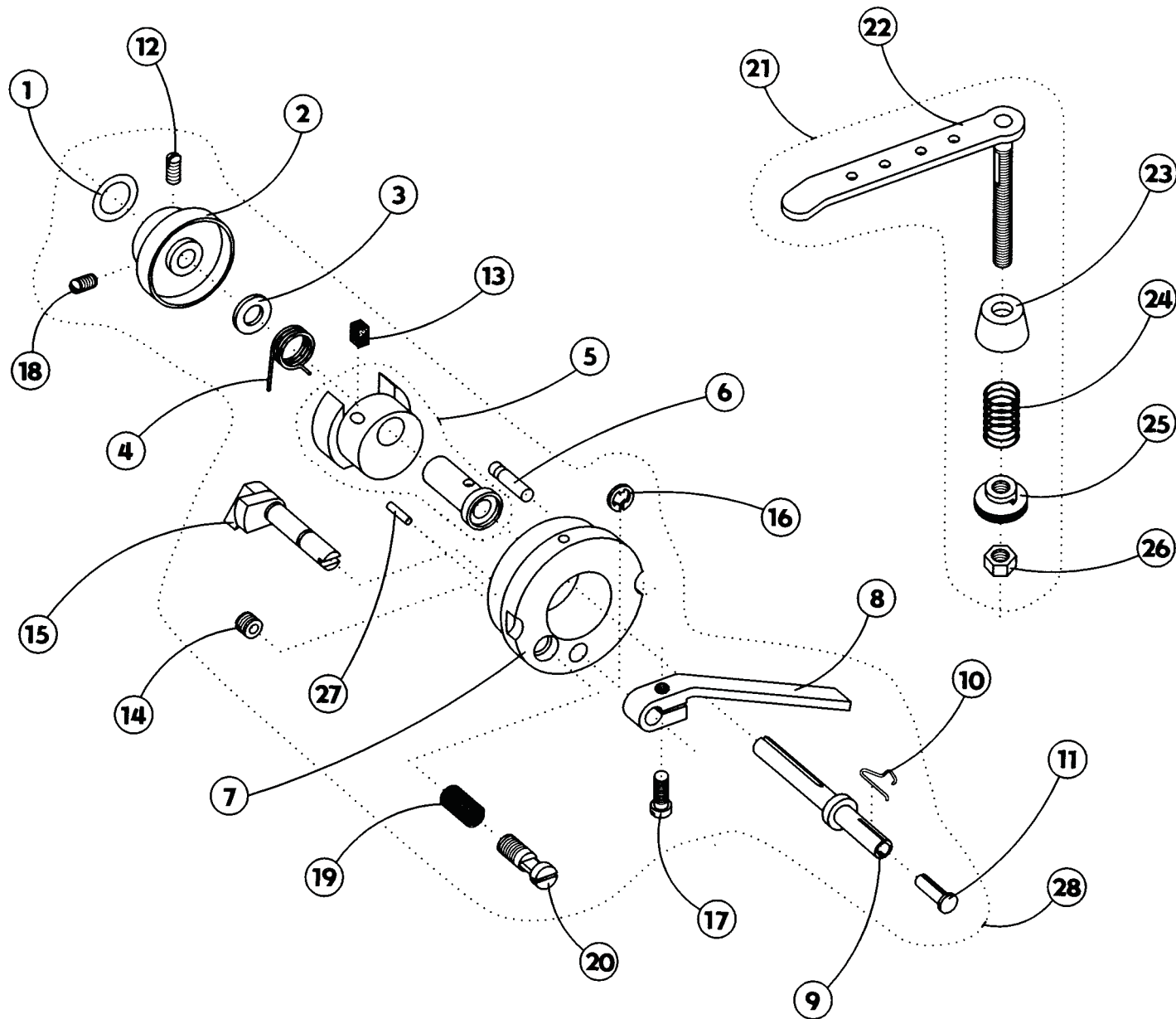
tab. 17



524 - 101

1	S980	035526
2	S080	945077
3	S080	111252
4	S080	945185
5	S080	111233
6	S080	424051
7	S283	002005
		ø 3,5/ø 4,8 x 100 mm
8	S080	945170
9	S080	346053
10	S273	001001
11	S080	120269
12	S321	001002
13	S080	725023

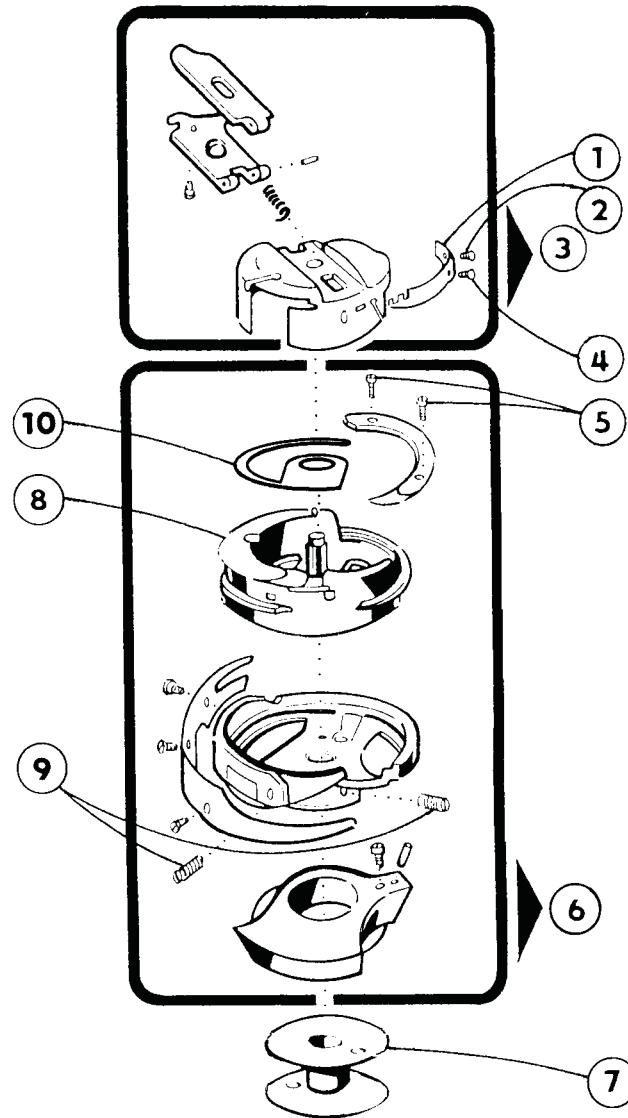
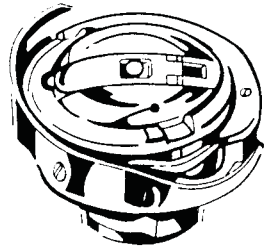
tab. 18



524 - 101

1	S273	025410
2	S080	441560
3	S080	190593
4	S080	264281
5	S980	035654
6	S080	310377
7	S080	441308
8	S080	613468
9	S080	343074
10	S080	265037
11	S321	953200
12	S080	112115
13	S080	945296
14	S080	111094
15	S080	672174
16	S311	732040
17	S080	124050
18	S080	111230
19	S080	260483
20	S080	870170
21	S980	025248
22	S980	025249
23	S080	827194
24	S080	260510
25	S080	163106
26	S080	161138
27	S311	515091
28	S980	036122

tab. 19



524 - 101

S980 008250

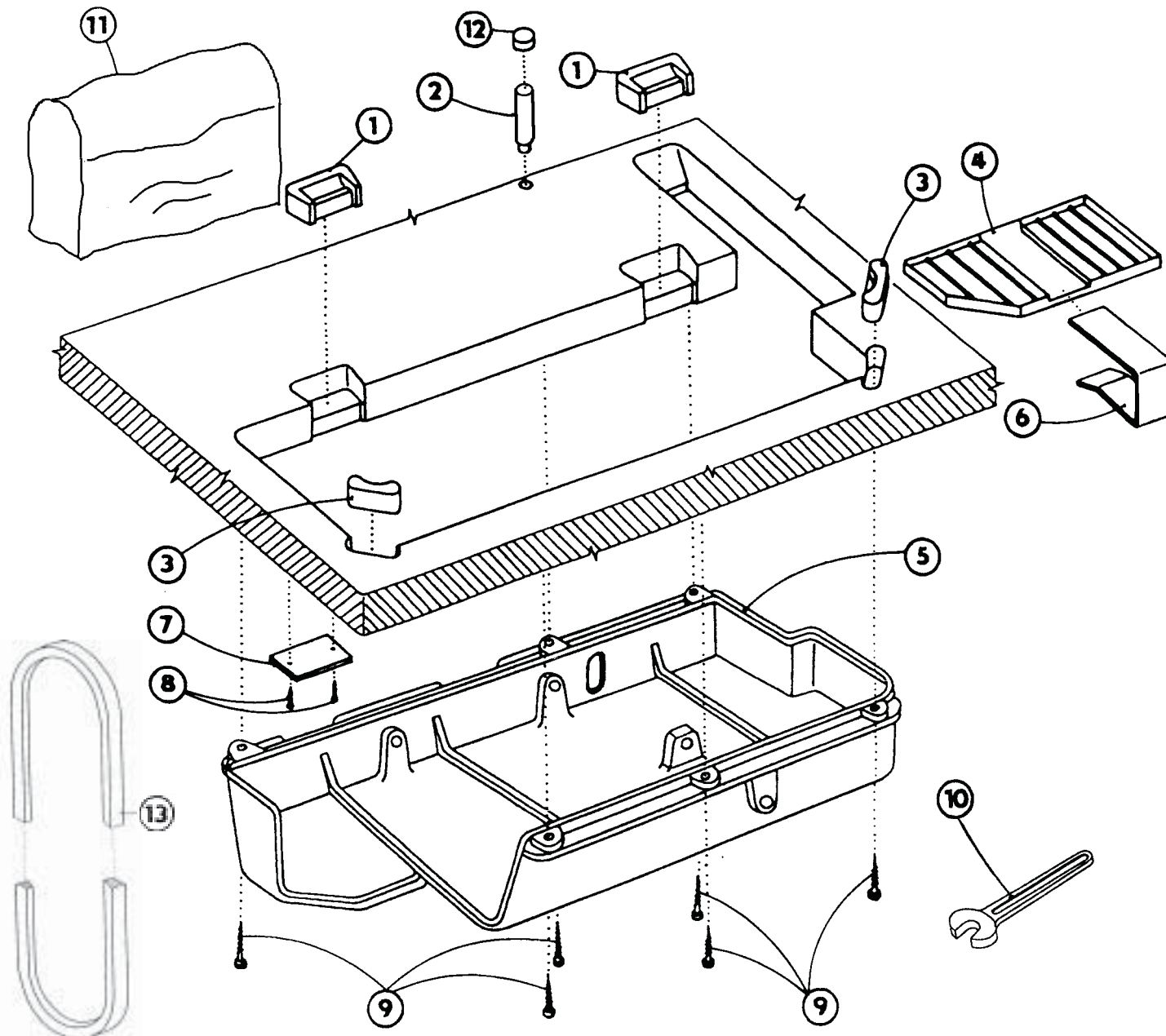
1	S080	690029
2	S080	683063
3	S980	081133
4	S080	683053
5	S080	683064
6	S980	081126
7	S080	685051
8	S080	677023
9	S080	683067
10	S080	690034

tab. 20

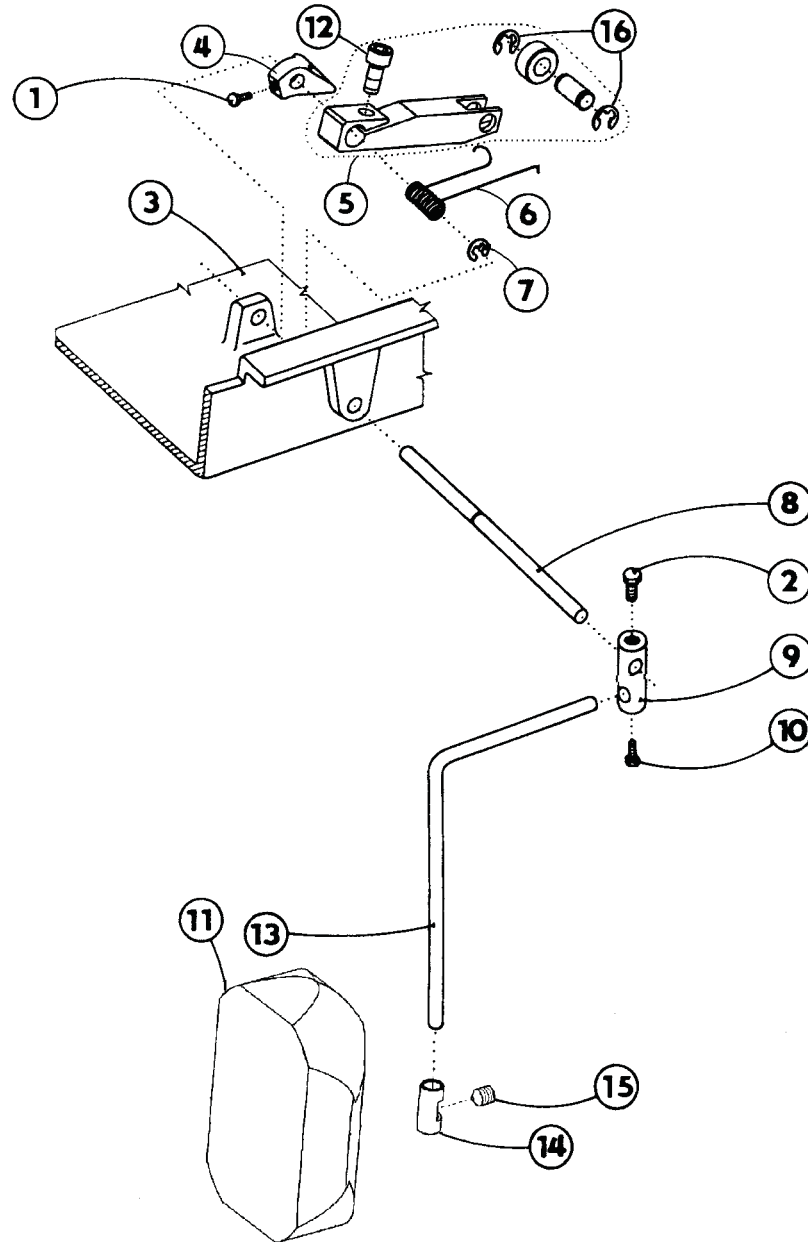
524 - 101

S980 099038/1

- 1 S273 940127
- 2 S615 932046
- 3 S273 940141
- 4 S321 953251
- 5 S080 725050
- 6 S080 826387
- 7 S080 941091
- 8 S314 016020
- 9 S080 225031
- 10 S413 100130
- 11 0APP 000301
- 12 S321 026000
- 13 S272 221000



tab. 21

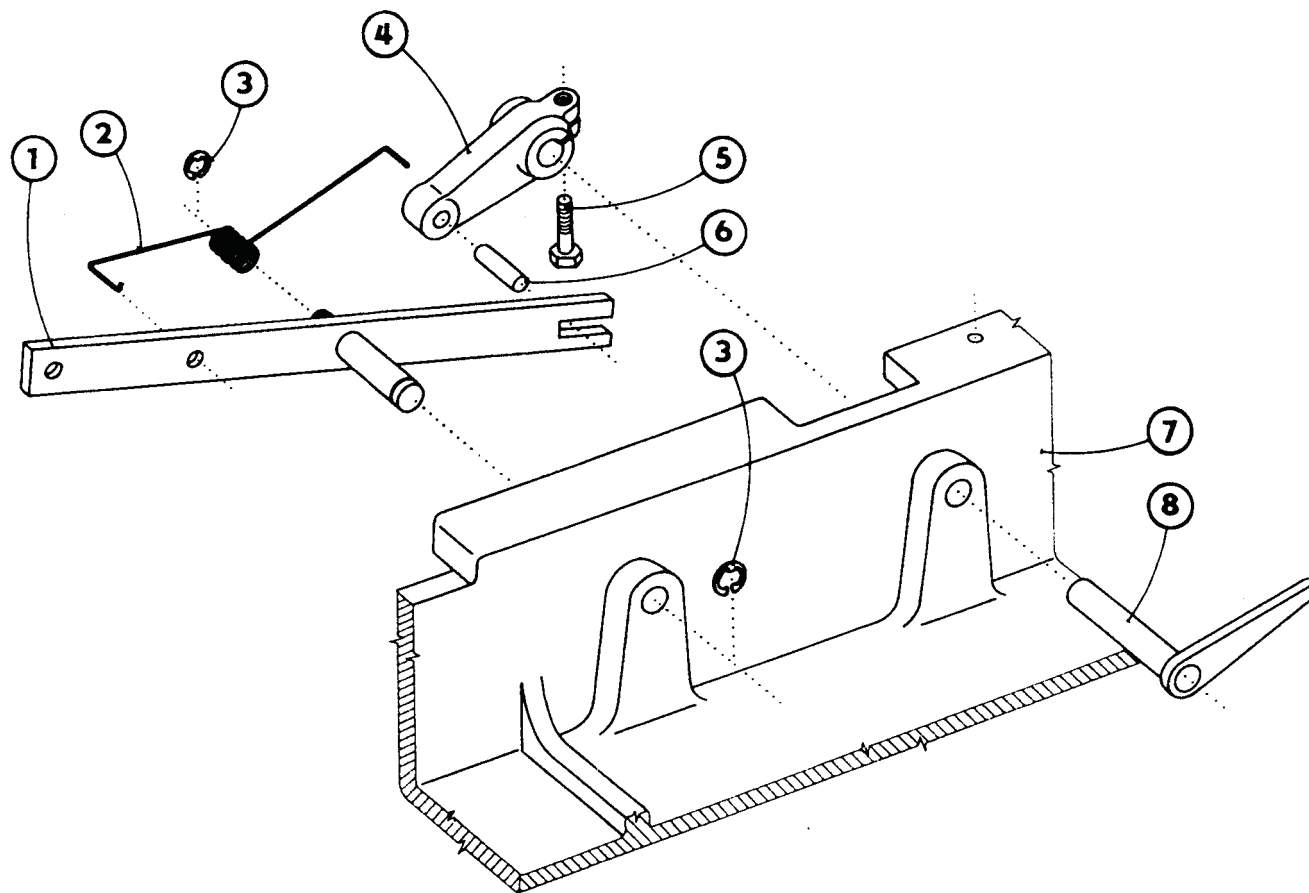


524 - 101

S980 099038/2

1	S080	141141
2	S080	141121
3	S080	725050
4	S080	625022
5	S980	027603
6	S080	264168
7	S311	732070
8	S080	314065
9	S080	318069
10	S080	141112
11	0396	130013
12	S080	120295
13	S080	383022
14	S080	416146
15	9205	102788
16	S311	732060

tab. 22

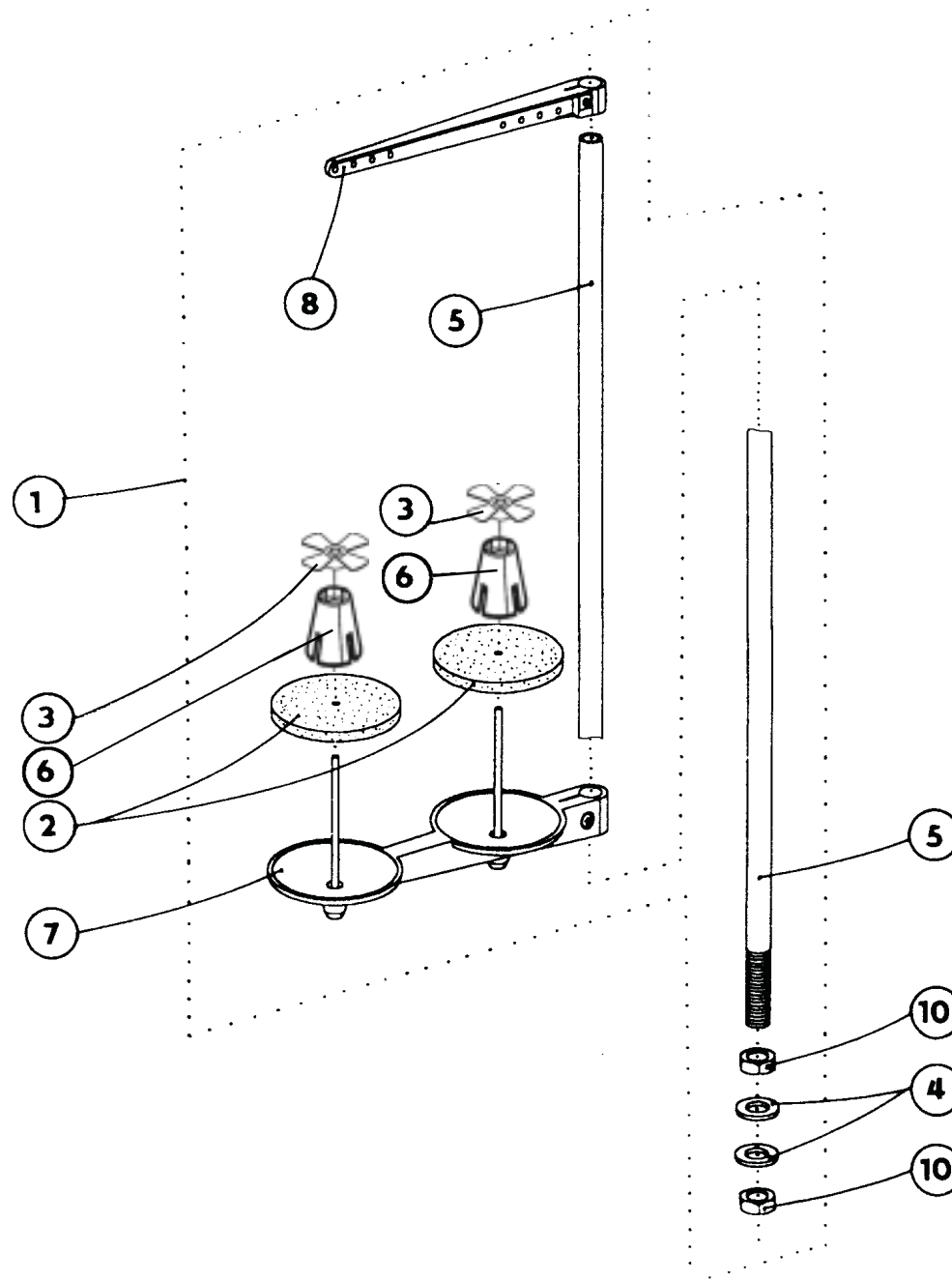


524 - 101

S980 099038 /3

- 1 S980 049109
- 2 S080 264290
- 3 S311 732070
- 4 S080 613480
- 5 S080 141109
- 6 S311 515041
- 7 S080 725050
- 8 S980 044142

tab. 23

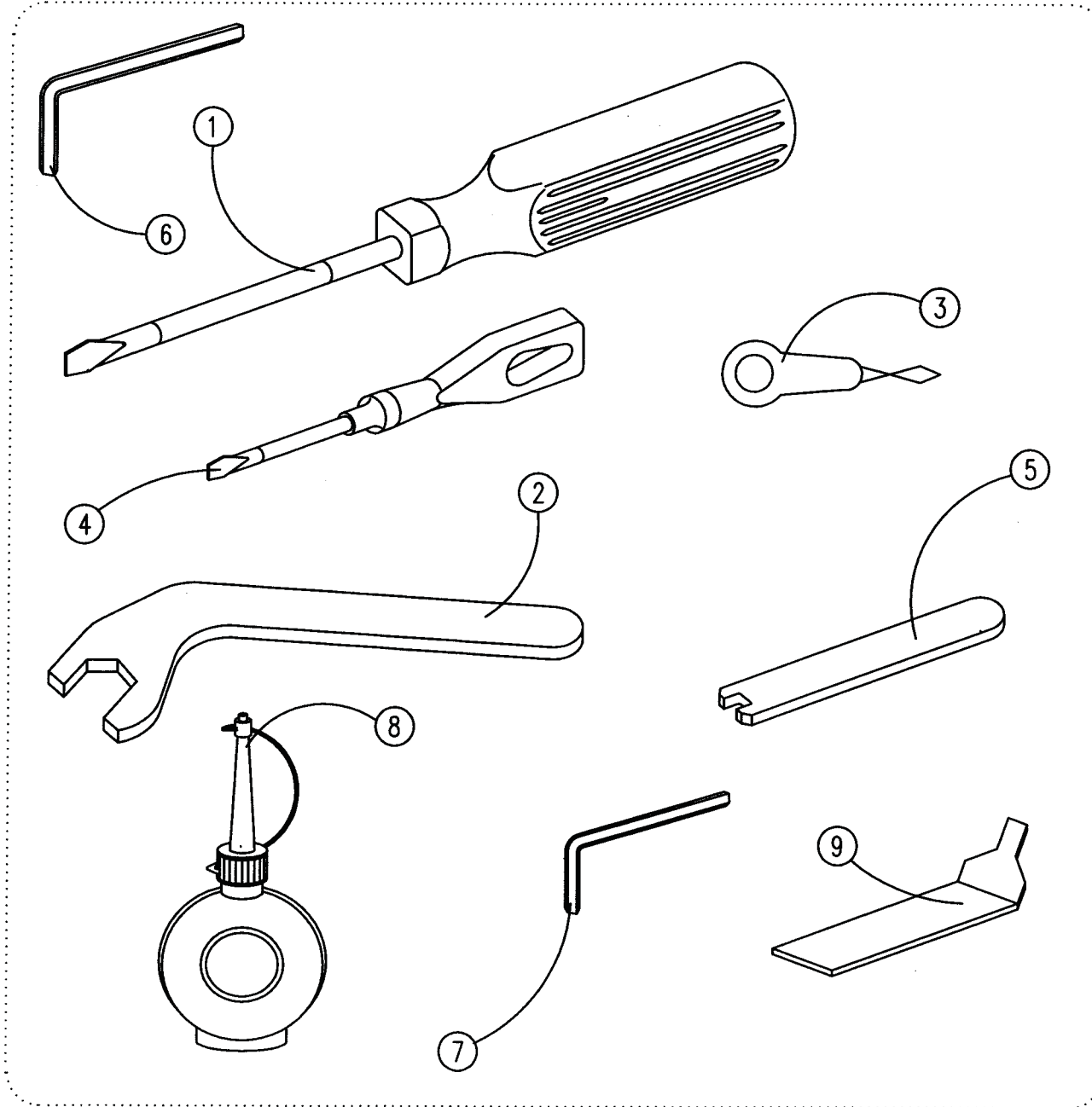


524 - 101

S980 099038 /4

1	S981	036163	
2	0077	110220	4 x
3	0077	110230	4 x
4	9330	000177	
5	0791	001081	
6	0791	580100	4 x
7	0791	001091	2 x
8	0791	001096	2 x
10	0995	340617	

tab. 24

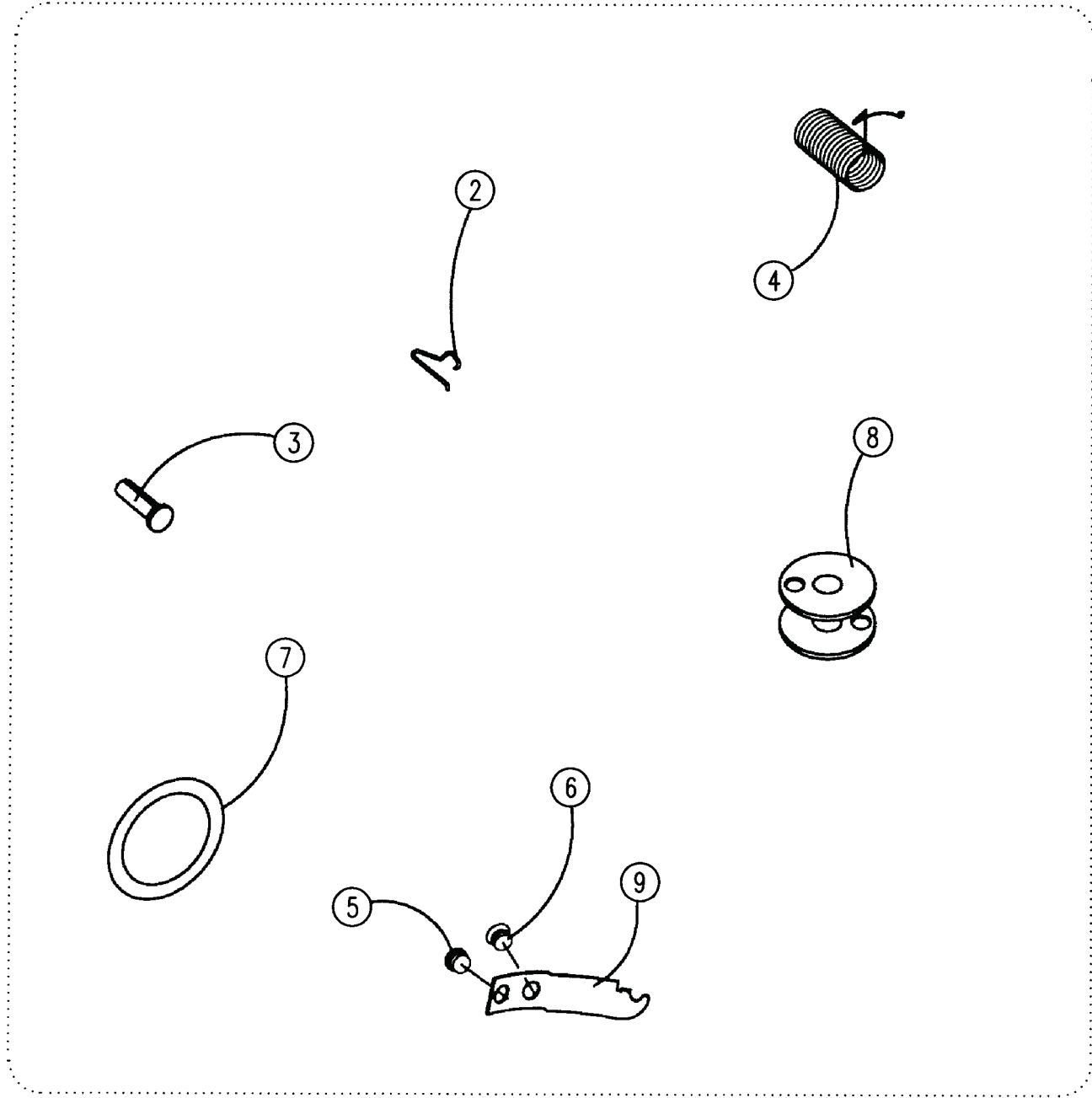


524 - 101

S980 099038 /5

1	S413	731023
2	S080	818273
3	S548	001000
4	S413	310002
5	S080	813481
6	S413	000500
7	S413	000400
8	S562	002000
9	S080	829796
10	S980	092220

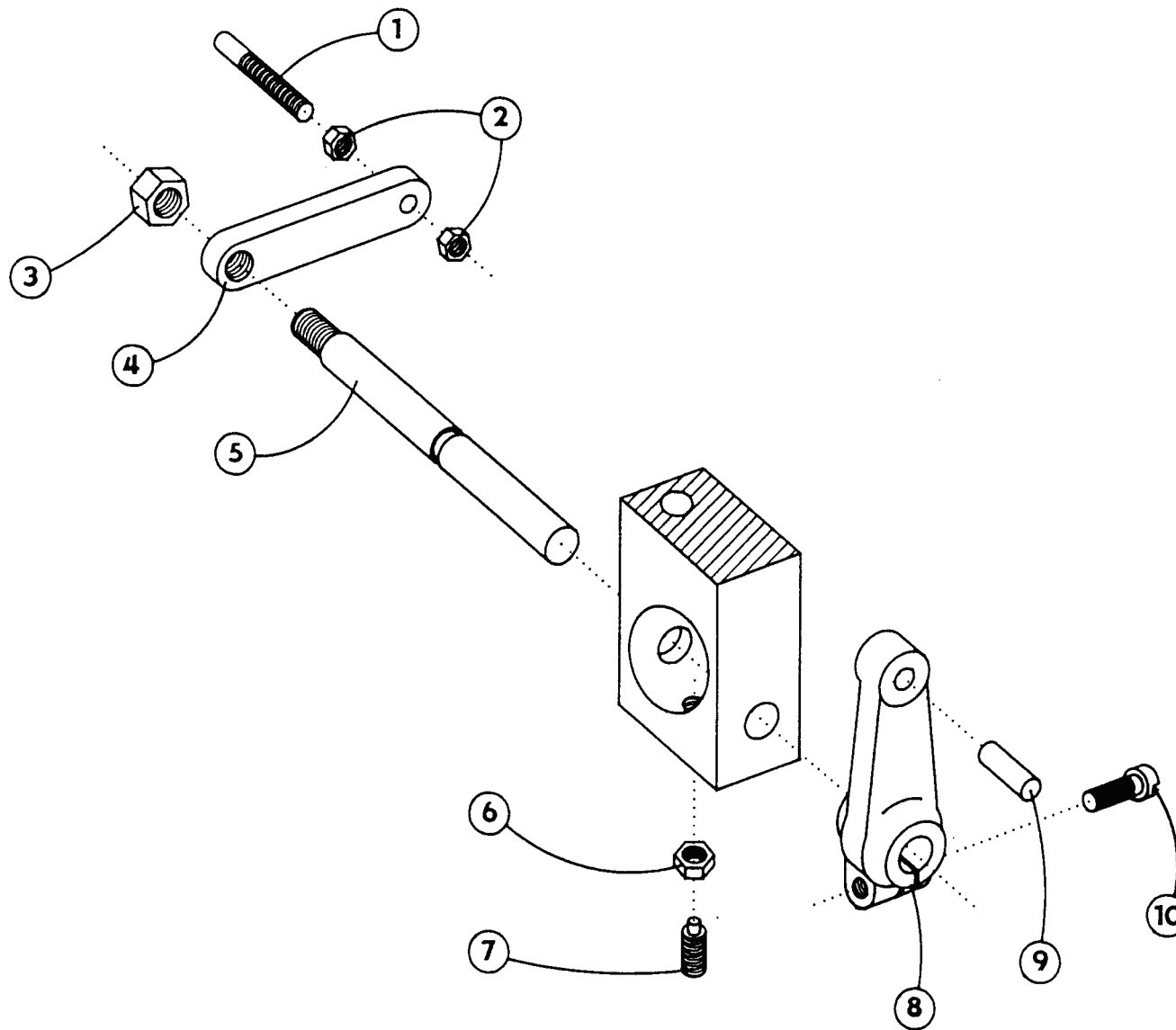
tab. 25



524 - 101

1	S980	092229	
2	S080	265037	4 x
3	S321	953200	2 x
4	S315	264294	4 x
5	S080	683063	4 x
6	S080	683053	4 x
7	S273	025410	4 x
8	S080	685051	10 x
9	S080	690029	4 x

tab. 26

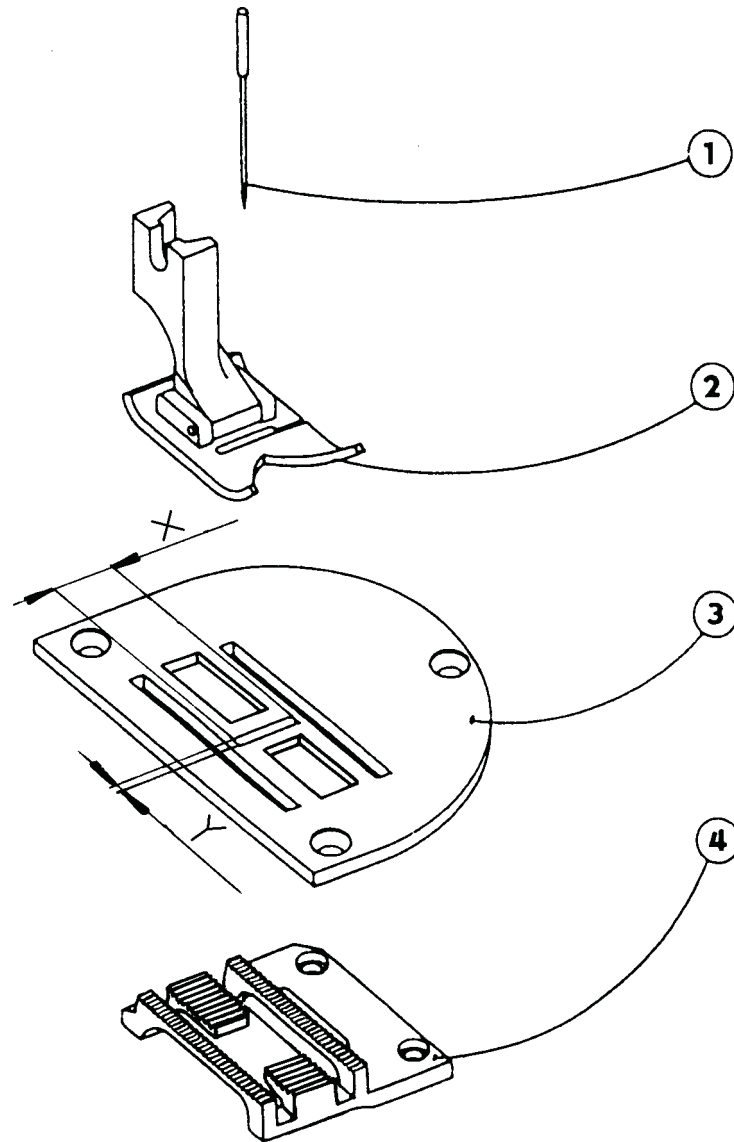


524 - 101

S791 995068

1	S080	316038
2	S080	161143
3	S080	161159
4	S080	632019
5	S080	342096
6	S080	161140
7	S080	111097
8	S080	613480
9	S311	515035
10	S080	120230

tab. 27



524 - 101

525 E 033

S791 124033 35

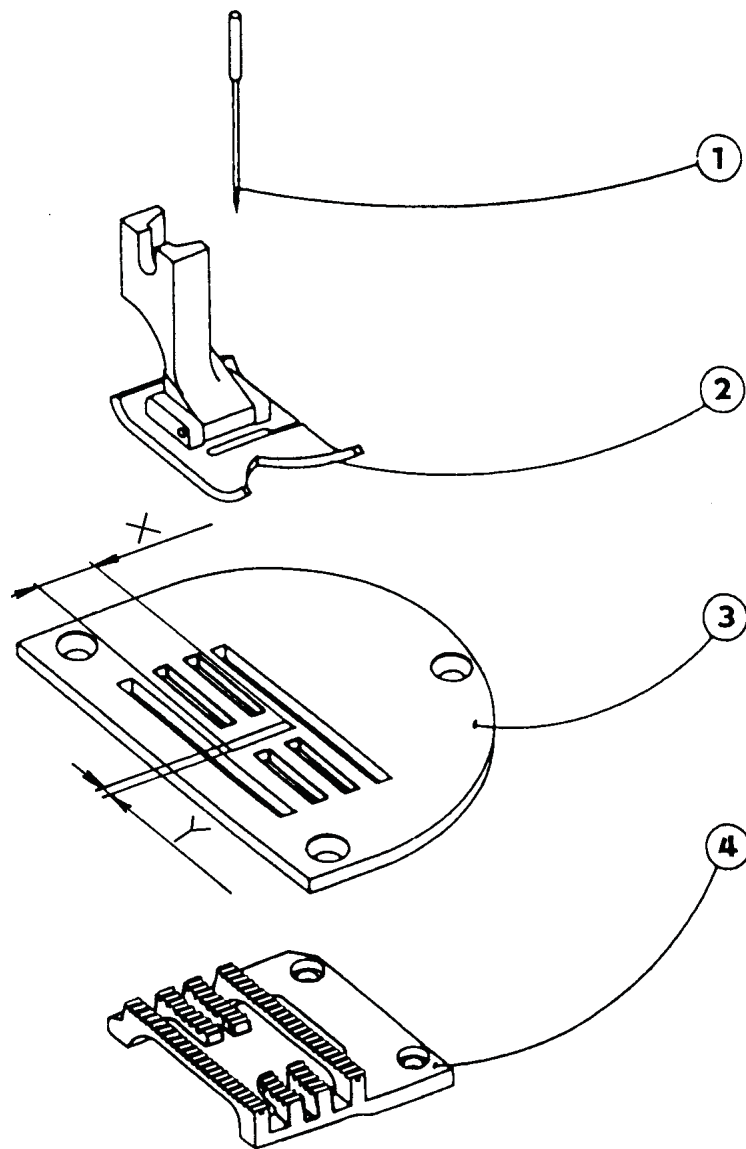
- 1 134 No. 110 - 11 x
 - 2 S980 031603
 - 3 S080 811637
 - 4 S080 651336
- X = 11,8 mm Y = 1,5 mm

525 E 034

S791 124034 35

- 1 134 No. 110 - 11 x
 - 2 S980 031603
 - 3 S080 811557
 - 4 S080 651336
- X = 11,8 mm Y = 1,8 mm

tab. 28



524 - 101

525 E 032

S791 124032 35

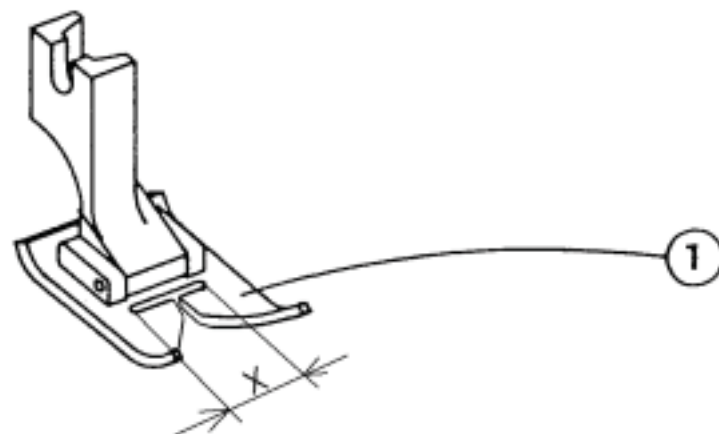
- 1 134 No. 110 - 11 x
 - 2 S980 031603
 - 3 S080 811641
 - 4 S080 651504
- X = 11,6 mm Y = 1,5 mm

525 E 075

S791 124075 35

- 1 134 No. 110 - 11 x
 - 2 S980 031603
 - 3 S080 811699
 - 4 S080 651472
- X = 11,6 mm Y = 1,5 mm

tab. 29



524 - 101

525 E 016
S791 151016

1 S980 031586

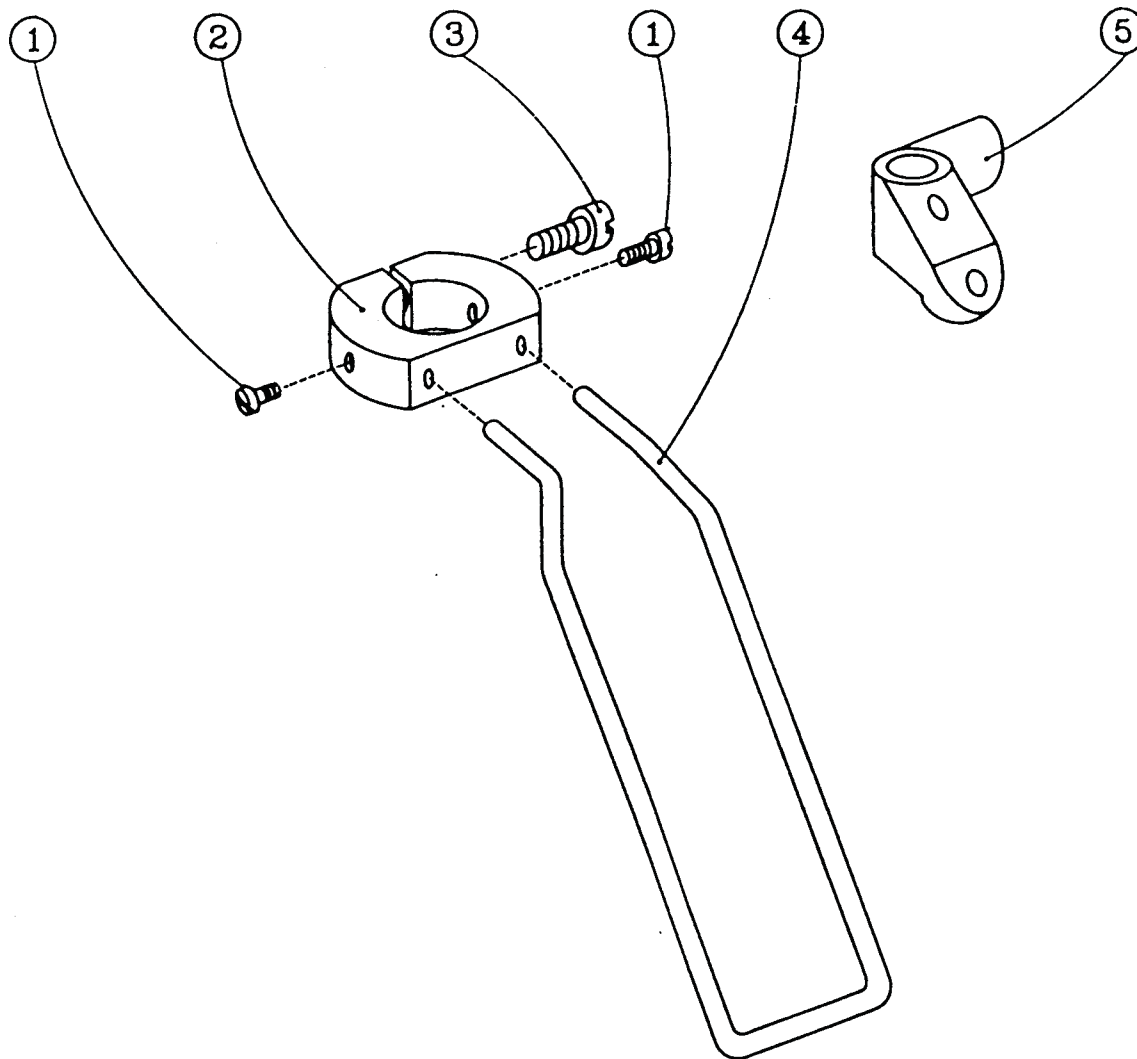
X = 6 mm

525 E 017
S791 151017

1 S980 031652

X = 10 mm

tab. 30



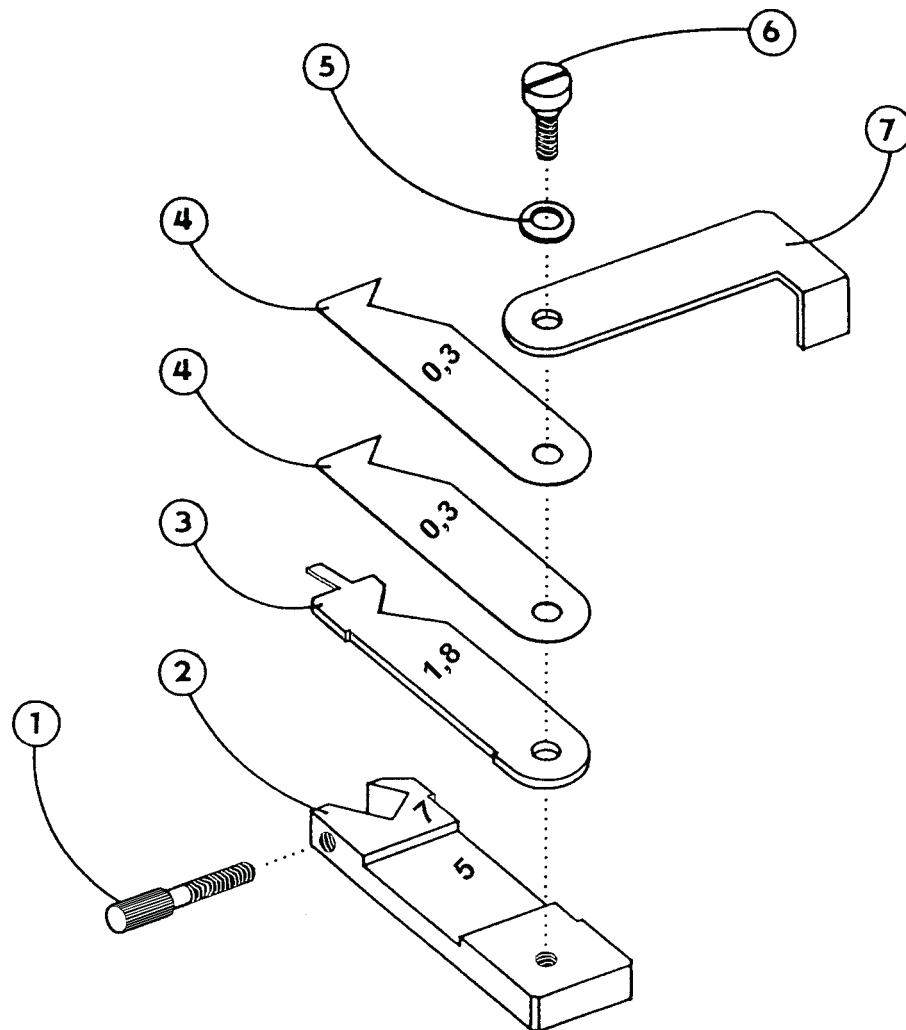
524 - 101

527 N 001

S791 149001

1	S080	120037
2	S080	646136
3	S080	120225
4	S080	271441
5	S080	627037

tab. 31



524 - 101

Z001

S791947001













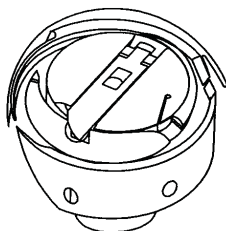
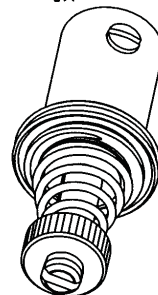



1	S080	133112
2	S080	646148
3	S080	814365
4	S080	814364
5	S080	192061
6	S080	131404
7	S080	831412

tab. 32

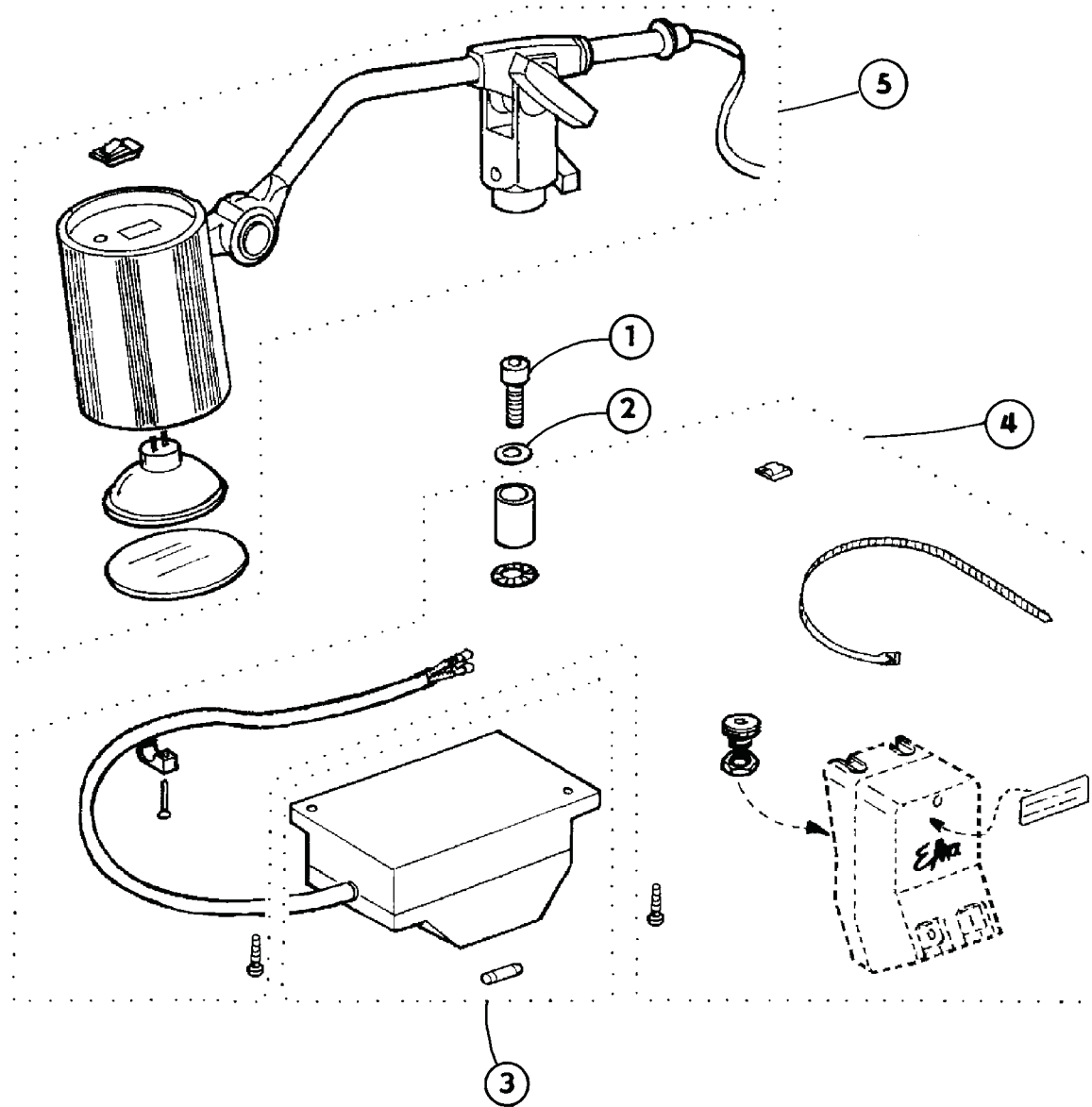
524 - 101

524 Z 118

S74161011840

<p>3x</p>  <p>S080 120239</p>	<p>3x</p>  <p>S080 141088</p>	<p>5x</p>  <p>S080 683063</p>	<p>5x</p>  <p>S080 683053</p>	<p>3x</p>  <p>S080 135029</p>	
<p>5x</p>  <p>S080 123117</p>	<p>3x</p>  <p>S080 265037</p>	<p>1x</p>  <p>S080 627170</p>	<p>5x</p>  <p>S080 112013</p>	<p>3x</p>  <p>S080 124050</p>	
<p>3x</p>  <p>S080 690029</p>	<p>5x</p>  <p>S315 264294</p>	<p>1x</p>  <p>S980 008250</p>	<p>1x</p>  <p>S980 025245</p>	<p>3x</p>  <p>S273 025410</p>	
<p>3x</p>  <p>S080 122029</p>	<p>1x</p>  <p>S080 264281</p>				

tab. 33



524 - 101

Z 012

S794 222012

1	S080	120692
2	S080	190346
3	0798	500088
4	0907	487519
5	9822	510001