



Teileliste und Näheinrichtungen
Spare Parts List and Sewing Equipment

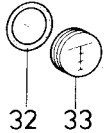
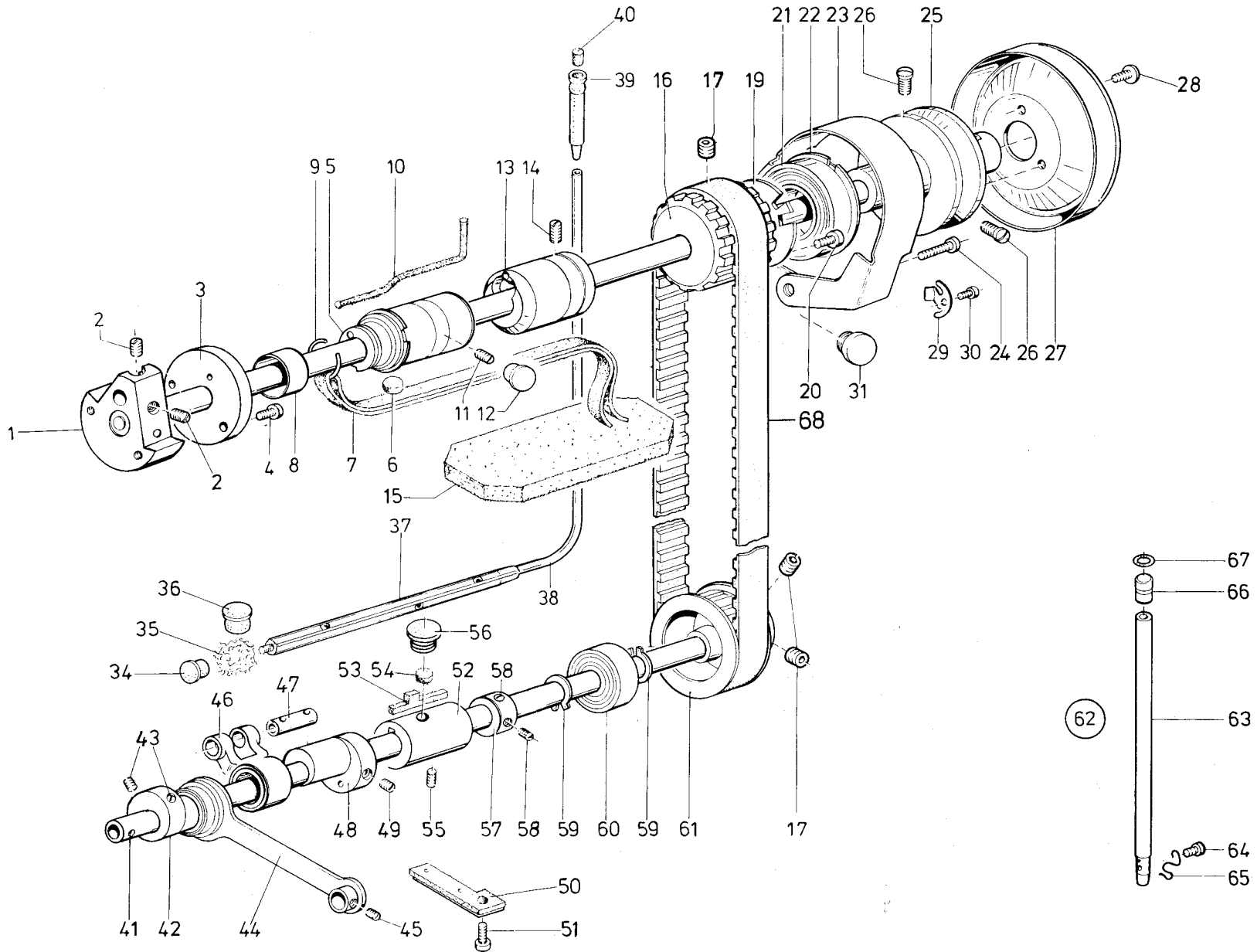
211

Inhaltsverzeichnis

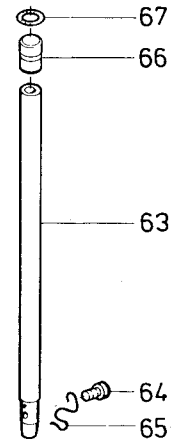
| | |
|-----------------------|------------------------------|
| Grundtyp | Tafel 1 bis 5 |
| Beipack | Tafel 6 |
| 211-S | Tafel 7 |
| 211-5 | Tafel 26 |
| 211-255 | Tafel 21, 22, 23 |
| 211-7105 | Tafel 9, 10, 11 |
| 211-15105 | Tafel 12, 13, 17, 20 |
| 211-15255 | Tafel 14, 18, 21-24 |
| 211-19105 | Tafel 13, 15, 16 |
| 211-115105 | Tafel 13, 18, 19, 20 |
| 211-115255 | Tafel 14, 17, 21, 22, 24, 25 |
| Fadenschmierung | Tafel 8 |
| Fadenklemmeinrichtung | Tafel 26 |
| Nadelkühlung | Tafel 1 |
| Einstellehren | Tafel 24, 26 |
| Näheinrichtungen | siehe Anhang! |

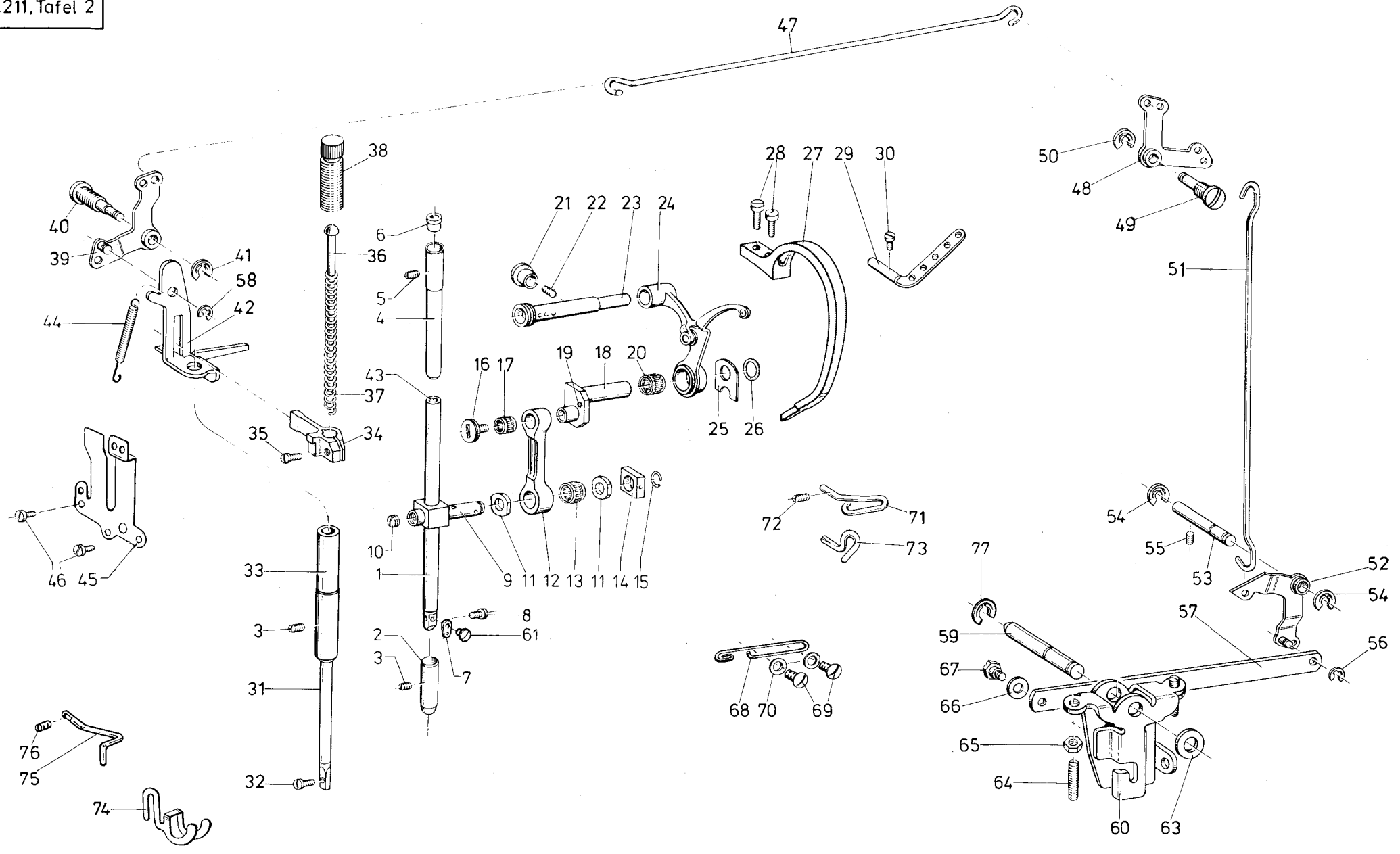
Contents

| | |
|---------------------------|------------------------------|
| Basic type | Table 1 to 5 |
| Accessoires | Table 6 |
| 211-S | Table 7 |
| 211-5 | Table 26 |
| 211-255 | Table 21, 22, 23 |
| 211-7105 | Table 9, 10, 11 |
| 211-15105 | Table 12, 13, 17, 20 |
| 211-15255 | Table 14, 18, 21-24 |
| 211-19105 | Table 13, 15, 16 |
| 211-115105 | Table 13, 18, 19, 20 |
| 211-115255 | Table 14, 17, 21, 22, 24, 25 |
| Thread lubrication | Table 8 |
| Thread clamping equipment | Table 26 |
| Needle cooling | Table 1 |
| Setting gauges | Table 24, 26 |
| Sewing equipments | see appendix! |

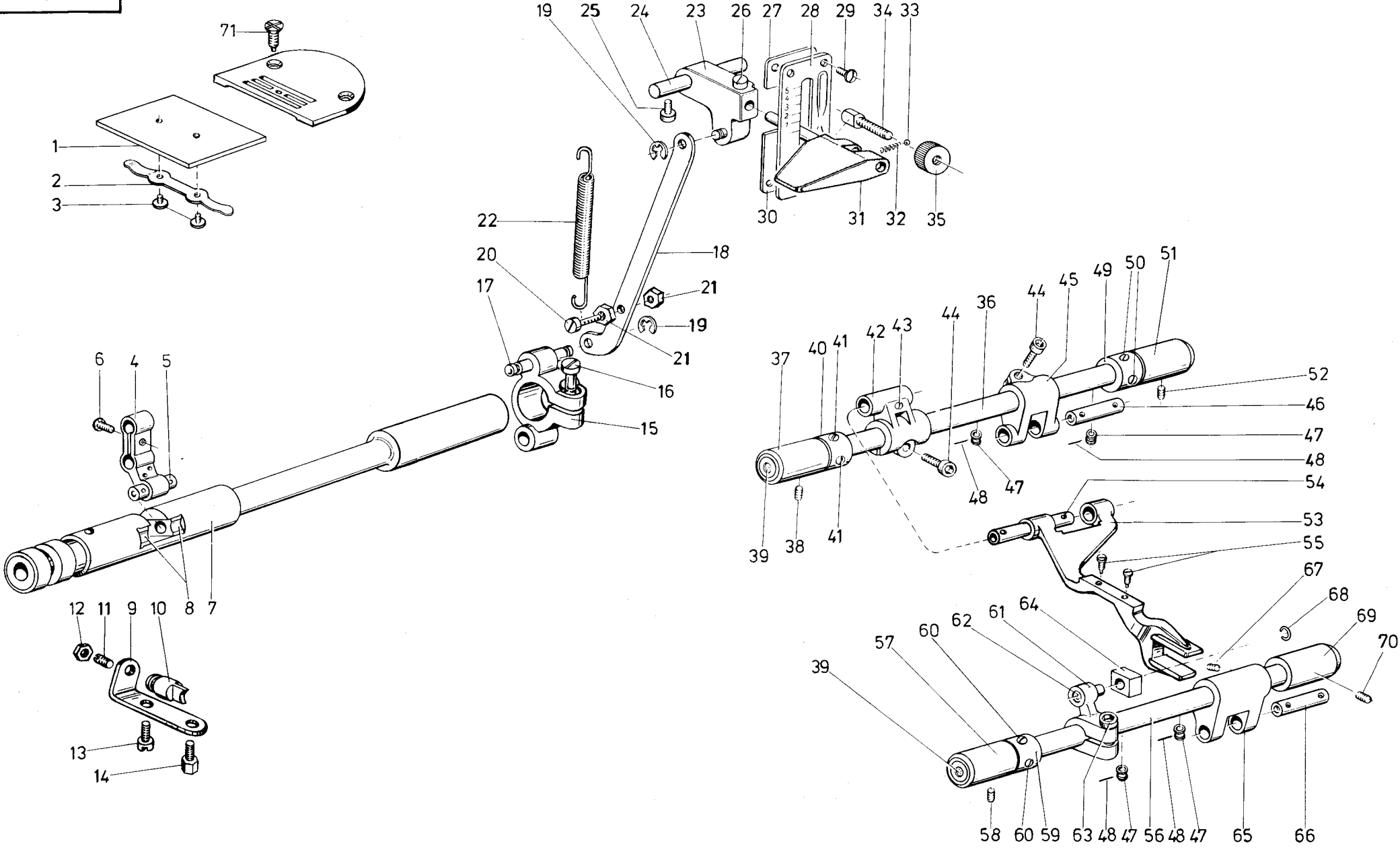


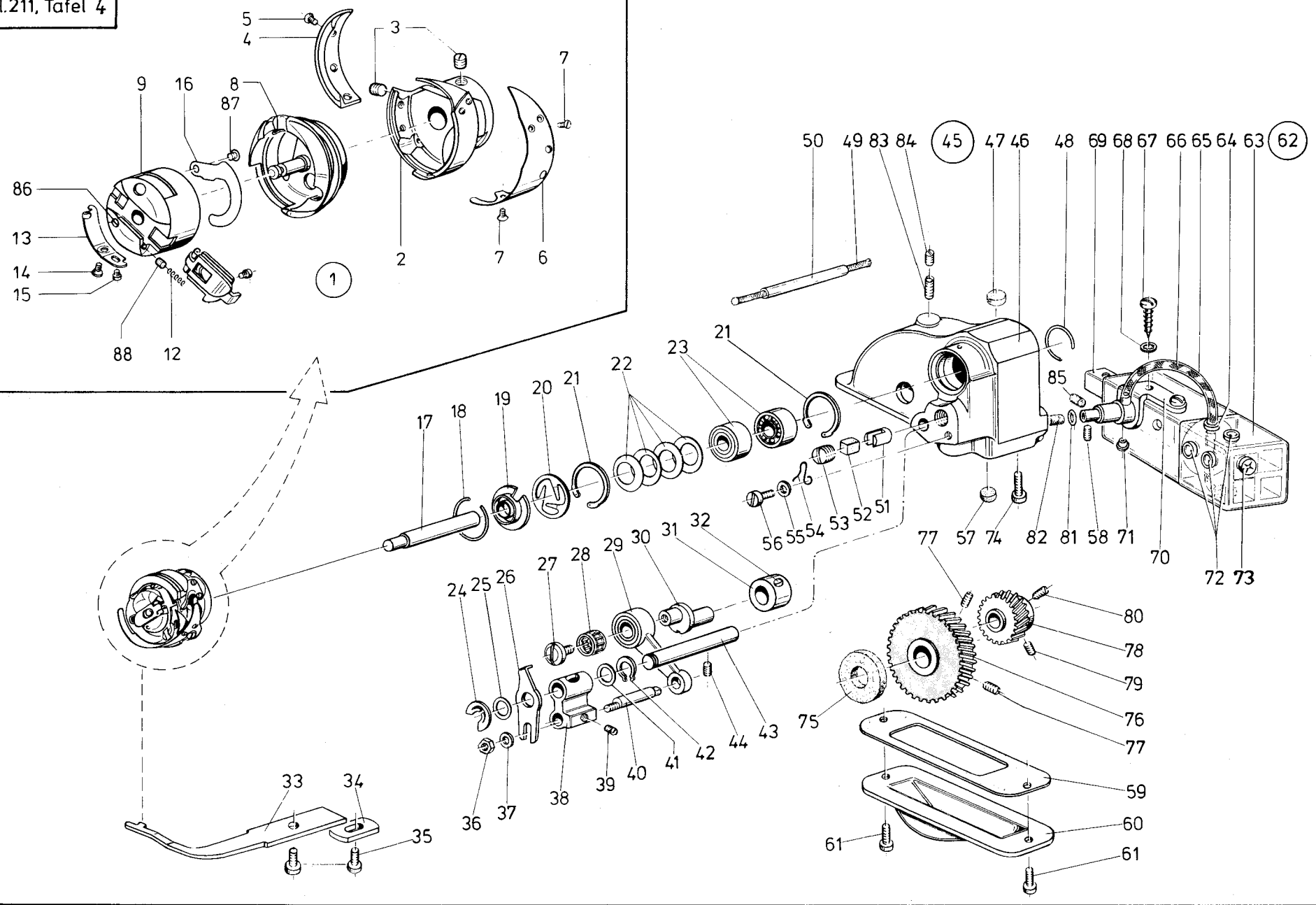
62



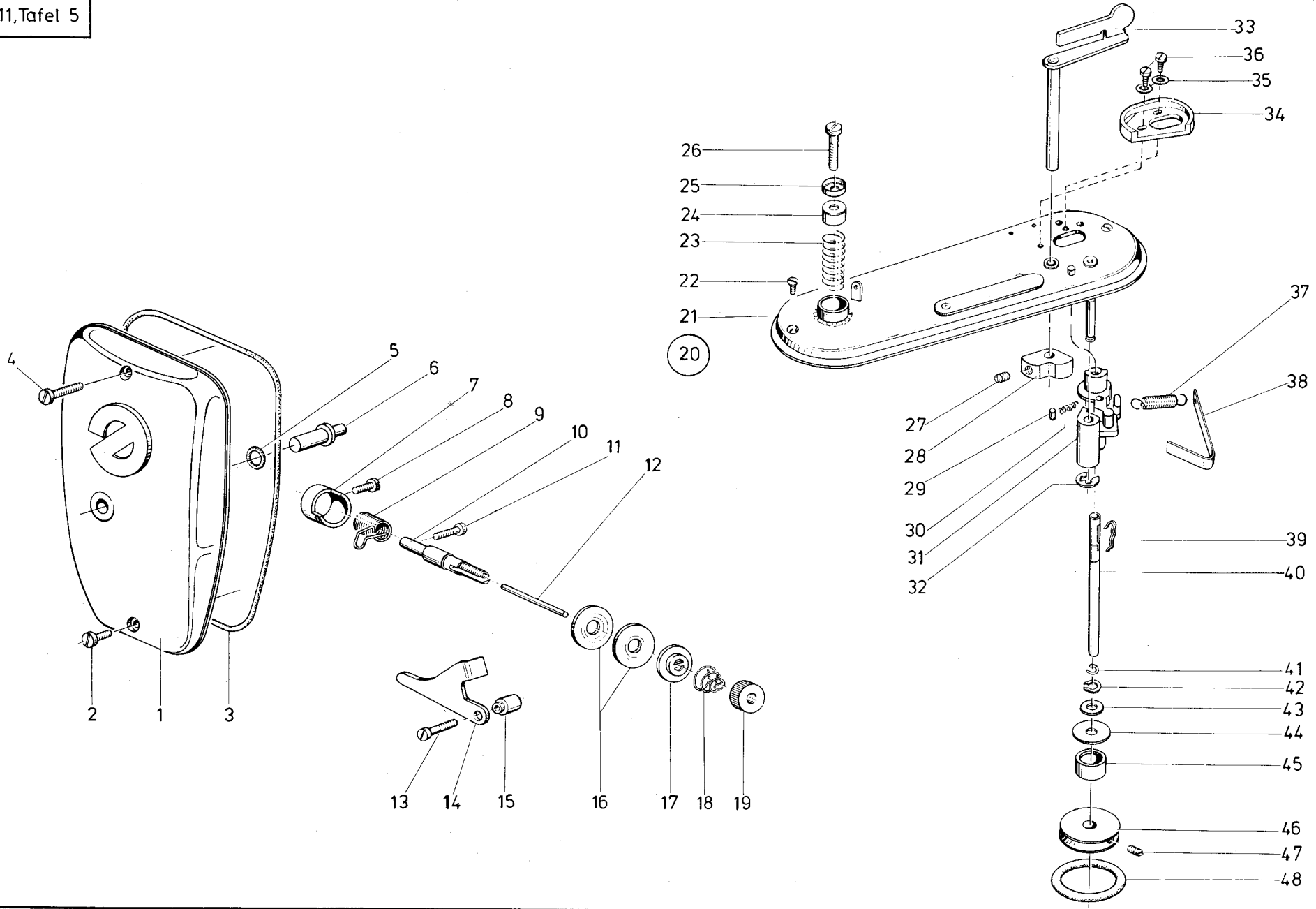


| Pos. Det. | Teile Nr. Part No. | Benennung | Denomination | Pos. Det. | Teile Nr. Part No. | Benennung | Denomination | Pos. Det. | Teile Nr. Part No. | Benennung | Denomination |
|-----------|--------------------|---|---|-----------|--------------------|-----------------|----------------------|-----------|--------------------|-----------|--------------|
| 1 | 211339 | Nadelstange kpl. (mit Pos. 7, 8, 43, 61) | Needle bar cpl. (with pos. 7, 8, 43, 61) | 39 | 219185 | Winkelhebel | Bent lever | | | | |
| 2 | 211381 | Nadelst.-Buchse | Needle bar bush | 40 | 211420 | Zapfenschraube | Shank screw | | | | |
| 3 | 70220 | Gewindestift | Threaded stud | 41 | 93002119 | Sicher.-Scheibe | Lock washer | | | | |
| 4 | 211376 | Nadelst.-Buchse | Needle bar bush | 42 | 211458 | Lüfterlasche | Releasing strip | | | | |
| 5 | 70220 | Gewindestift | Threaded bar bush | 43 | 57010007 | Gummistopfen | Rubber plug | | | | |
| 6 | 211806 | Verschlußkappe | Cap | 44 | 2461035 | Zugfeder | Draw spring | | | | |
| 7 | 291159 | Fadenführung | Thread guide | 45 | 211450 | Blattfeder | Leaf spring | | | | |
| 8 | 211387 | Zyl.-Schraube | Countersunk head screw | 46 | 223700 | Zyl.-Schraube | Cyl. head screw | | | | |
| 9 | 212151 | Kreuzkopf kpl. (mit Pos. 10) | Cross head cpl. (with pos. 10) | 47 | 211422 | Lüfterzugdraht | Lifter pulling wire | | | | |
| 10 | 223646 | Gewindestift | Threaded stud | 48 | 219193 | Winkelhebel | Bent lever | | | | |
| 11 | 211391a | Scheibe | Disc | 49 | 211420 | Zapfenschraube | Pivot screw | | | | |
| 12 | 211390k | Zugstange kpl. (mit Pos. 11, 13) | Draw bar cpl. (with pos. 11, 13) | 50 | 93002119 | Sicher.-Scheibe | Lock washer | | | | |
| 13 | 211208 | Nadelkranz | Needle ring | 51 | 211551 | Lüfterzugdraht | Lifter pulling wire | | | | |
| 14 | 211394 | Gleitstein | Slide block | 52 | 219836 | Winkelhebel | Bent lever | | | | |
| 15 | 211395 | Sprengring | Spring ring | 53 | 211242 | Lagerbolzen | Bearing bolt | | | | |
| 16 | 211398 | Deckschraube | Screw | 54 | 93002119 | Sicher.-Scheibe | Lock washer | | | | |
| 17 | 211397 | Nadelkranz | Needle ring | 55 | 223245 | Gewindestift | Threaded stud | | | | |
| 18 | 2119830 | Kurb.-Zapfen kpl. (mit Pos. 19) | Crank öin (with pos. 19) | 56 | 211100a | Sicher.-Scheibe | Safety washer | | | | |
| 19 | 265704 | Ölfilz | Felt | 57 | 211237 | Druckstange | Presser bar | | | | |
| 20 | 211408 | Nadelkranz | Needle ring | 58 | 211100a | Sicher.-Scheibe | Lock washer | | | | |
| 21 | 10011162 | Verschlußkappe | Cap | 59 | 211234 | Kniehebelwelle | Knee lever shaft | | | | |
| 22 | 211414 | Gewindestift | Threaded stud | 60 | 211232a | Winkelhebel | Bent lever | | | | |
| 23 | 211411a | Fad.-Achse | Thread shaft | 61 | 55860a | Linsenschraube | Fillister head screw | | | | |
| 24 | 211401 | Fadenhebel | Thread lever | 63 | MG4/6 | Scheibe | Washer | | | | |
| 25 | 211407 | Anlageplatte | Distance piece | 64 | 223448 | Gewindestift | Threaded stud | | | | |
| 26 | 211331 | Gummiring | Rubber ring | 65 | MG43/408 | 6kt.-Mutter | Hexagonal nut | | | | |
| 27 | 265379 | Schutzblech | Protective plate | 66 | 02480a | Scheibe | Washer | | | | |
| 28 | 21688 | Zyl.-Schraube | Cyl. head screw | 67 | 10019140 | Ansatzschraube | Shoulder screw | | | | |
| 29 | 211484 | Fadenleitwinkel | Angular thread guide | 68 | 211399 | Fadenregulator | Thread regulator | | | | |
| 30 | 211464 | Linsenschraube | Fillister head screw | 69 | 10019130 | Linsenschraube | Fillister head screw | | | | |
| 31 | 211437 | Fußstange kpl. (mit Pos. 32) | Feet rod cpl. (with pos. 32) | 70 | 5691895 | Scheibe | Washer | | | | |
| 32 | 216406 | Linsenschraube | Fillister head screw | 71 | 211491 | Fadenführung | Thread guide | | | | |
| 33 | 211432a | Buchse | Bush | 72 | 531471 | Gewindestift | Threaded stud | | | | |
| 34 | 211462 | Lüft.-Kloben kpl. (mit Pos. 35) | Lifting block cpl. (with pos. 35) | 73 | 211459 | Fadenleithaken | Thread guide hook | | | | |
| 35 | 902153 | Zyl.-Schraube | Cyl. head screw | 74 | 20442 | Fingerschutz | Finger guard | | | | |
| 36 | 211440 | Führungsbolzen | Guide bolt | 75 | 211384 | Fadenführung | Thread guide | | | | |
| 37 | 211439 | Druckfeder | Pressure spring | 76 | 531464 | Gewindestift | Threaded stud | | | | |
| 38 | 211427 | Regulierbuchse | Regulating sleeve | 77 | 265289 | Sicher.-Scheibe | Lock washer | | | | |





| Pos. Det. | Teile Nr. Part No. | Benennung | Denomination | Pos. Det. | Teile Nr. Part No. | Benennung | Denomination | Pos. Det. | Teile Nr. Part No. | Benennung | Denomination |
|-----------|--------------------|---|--|-----------|--------------------|--|---|-----------|--------------------|-----------------------------------|---------------------------------|
| 1 | 2111101 | Greifer kpl. (best. aus Pos. 2 bis 16, 86, 87, 88) | Hook cpl. (cons. of pos. 2 up to 16, 86, 87, 88) | 38 | 211196k | Kloben kpl. (mit Pos. 39) | Block cpl. (with pos. 39) | 76 | 21670 | Zahnrad kpl. (mit Pos. 77) | Gear cpl. (with pos. 77) |
| 2 | 2111102 | Greifer kpl. (best. aus Pos. 2 bis 7) | Hook cpl. (cons. of pos. 2 up to 7) | 39 | 223669 | Gewindestift | Threaded stud | 77 | 223648 | Gewindestift | Threaded stud |
| 3 | 2111105 | Gewindestift | Threaded stud | 40 | 211197 | Bolzen | Bolt | 78 | 21118 | Zahnrad kpl. (mit Pos. 79, 80) | Gear cpl. (with pos. 79, 80) |
| 4 | 2111106 | Greiferdeckel | Hook cover | 41 | 422277 | Scheibe | Washer | 79 | 223237 | Gewindestift | Threaded stud |
| 5 | 2111107 | Senkschraube | Countersunk screw | 42 | 211245 | Greifring | Clip ring | 80 | 223238 | Spitzschraube | Pointed screw |
| 6 | 2111108 | Fadenziehblech | Thread pulling plate | 43 | 2118287 | Lagerbolzen | Bearing bolt | 81 | 2118301 | Rundschnurring | Round cord ring |
| 7 | 2111109 | Senkschraube | Countersunk screw | 44 | 21652 | Gewindestift | Threaded stud | 82 | 211987 | Filz | Felt |
| 8 | 2111111 | Spulengeh. Unterteil | Bobbin case, lower part | 45 | 2118281k | Getr.-Gehäuse kpl. (best. aus Pos. 46 bis 61) | Gear casing cpl. (consist. of pos. 46 up to 61) | 83 | 202708 | Gewindestift | Threaded stud |
| 9 | 2111115 | Spulengeh. Oberteil kpl. (mit Pos. 10 bis 16, 86, 87, 88) | Bobbin case, upper part cpl. (with pos. 10 up to 16, 86, 87, 88) | 46 | 2118281 | Getr.-Gehäuse | Gear casing | 84 | 531464 | Gewindestift | Threaded stud |
| 12 | 5701249 | Druckfeder | Pressure spring | 47 | 211305a | Filzstopfen | Felt plug | 85 | 211531a | Filzteil | Felt |
| 13 | 2111127 | Spannungsfeder | Tension spring | 48 | 267218 | Federring | Spring washer | 86 | 5701255 | Gewindestift | Threaded stud |
| 14 | 5701252 | Regul.-Schraube | Regulating screw | 49 | 2118283 | Öldocht | Oil wick | 87 | 2111124 | Senkschraube | Countersunk screw |
| 15 | 2111129 | Zyl.-Schraube | Cyl. head screw | 50 | 265749 | Schlauch | Hose | 88 | 5701254 | Druckstück | Pressure piece |
| 16 | 2111123 | Bremsfeder | Brake spring | 51 | 265753 | Druckhülse | Pressure sleeve | | | | |
| 17 | 21123 | Greiferwelle | Hook shaft | 52 | 2118285 | Druckbolzen | Pressure bolt | | | | |
| 18 | 211644 | Sprengring | Spring ring | 53 | 211634 | Gewindestift | Threaded stud | | | | |
| 19 | 211646a | Ölscheibe | Oil washer | 54 | 211635 | Arretierfeder | Locking spring | | | | |
| 20 | 211648 | Federscheibe | Spring washer | 55 | 531460 | Scheibe | Washer | | | | |
| 21 | 21125 | Sicher.-Ring | Safety collar | 56 | 10019128 | Zyl.-Schraube | Cyl. head screw | | | | |
| 22 | 21127 | Tellerfeder | Cup spring | 57 | 216117 | Gummistopfen | Rubber plug | | | | |
| 23 | 21124 | Rillenkugellager | Grooved ball bearing | 58 | 21652 | Gewindestift | Threaded stud | | | | |
| 24 | 93002119 | Sicher.-Scheibe | Safety collar | 59 | 21114 | Dichtung | Gasket | | | | |
| 25 | 422277 | Scheibe | Washer | 60 | 21110 | Getriebedeckel | Gear box cover | | | | |
| 26 | 211201 | Lüftungsnocken | Lifting cam | 61 | 223676 | Zyl.-Schraube | Cyl. head screw | | | | |
| 27 | 211210 | Zyl.-Schraube | Cyl. screw | 62 | 211801 | Ölbehälter kpl. (best. aus Pos. 63 bis 73, 85) | Oil container cpl. (consist. of pos. 63 up to 73, 85) | | | | |
| 28 | 211208 | Nadelkranz | Needle clamp | 63 | 5563082 | Ölbehälter | Oil container | | | | |
| 29 | 211207 | Antriebshebel | Driving lever | 64 | 211806 | Kunststoffmuffe | Plastic sleeve | | | | |
| 30 | 211209 | Exzenterbolzen | Eccentric bolt | 65 | 211807 | Kunstst.-Schlauch | Plastic hose | | | | |
| 31 | 211212 | Stellring kpl. (mit Pos. 32) | Set collar cpl. (with pos. 32) | 66 | 211808 | Öldocht | Oil wick | | | | |
| 32 | 2161146 | Gewindestift | Threaded stud | 67 | 7441115 | Zyl.-Schraube | Cyl. head screw | | | | |
| 33 | 211217 | Spul.-Geh.-Halter | Bobbin case holder | 68 | 739347 | Zahnscheibe | Tooth lock washer | | | | |
| 34 | 211219 | Anschlag | Stop | 69 | 5563088 | Befest.-Stück | Fastening element | | | | |
| 35 | 22392 | Linsenschraube | Fillister head screw | 70 | 211811 | Öleranschluß | Oil connexion | | | | |
| 36 | 211198 | 6kt.-Mutter | Hexagonal nut | 71 | 219321 | Verschlußkappe | Plug | | | | |
| 37 | 5691895 | Scheibe | Washer | 72 | 5563086 | Verschlußstopfen | Filling plug | | | | |
| | | | | 73 | 5563087 | Füllstopfen | Plug | | | | |
| | | | | 74 | 21131 | Zyl.-Schraube | Cyl. head screw | | | | |
| | | | | 75 | 21122 | Filzring | Felt washer | | | | |



- 26
- 25
- 24
- 23
- 22
- 21
- (20)

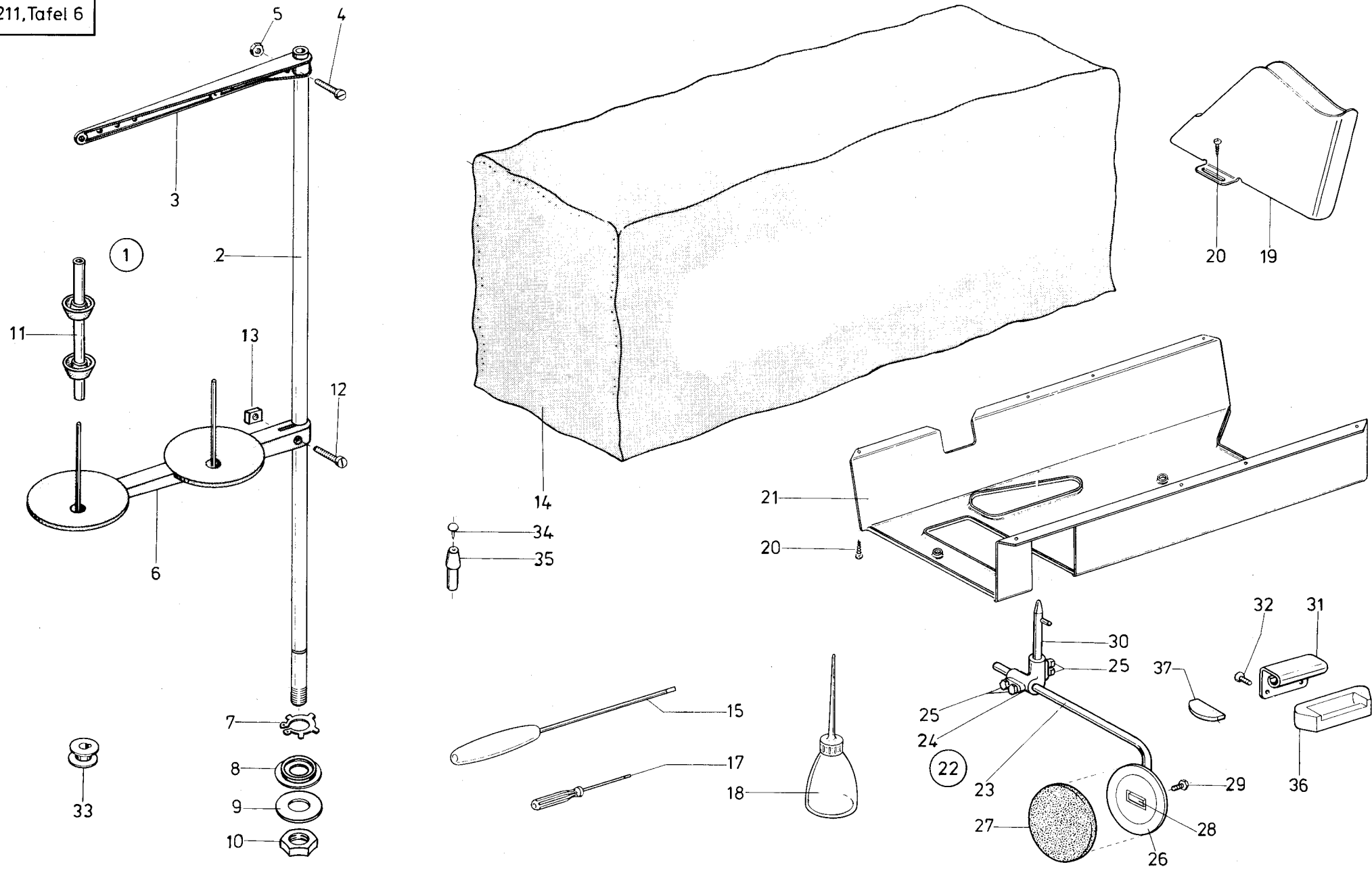
- 33
- 36
- 35
- 34

- 37
- 38
- 27
- 28
- 29
- 30
- 31
- 32

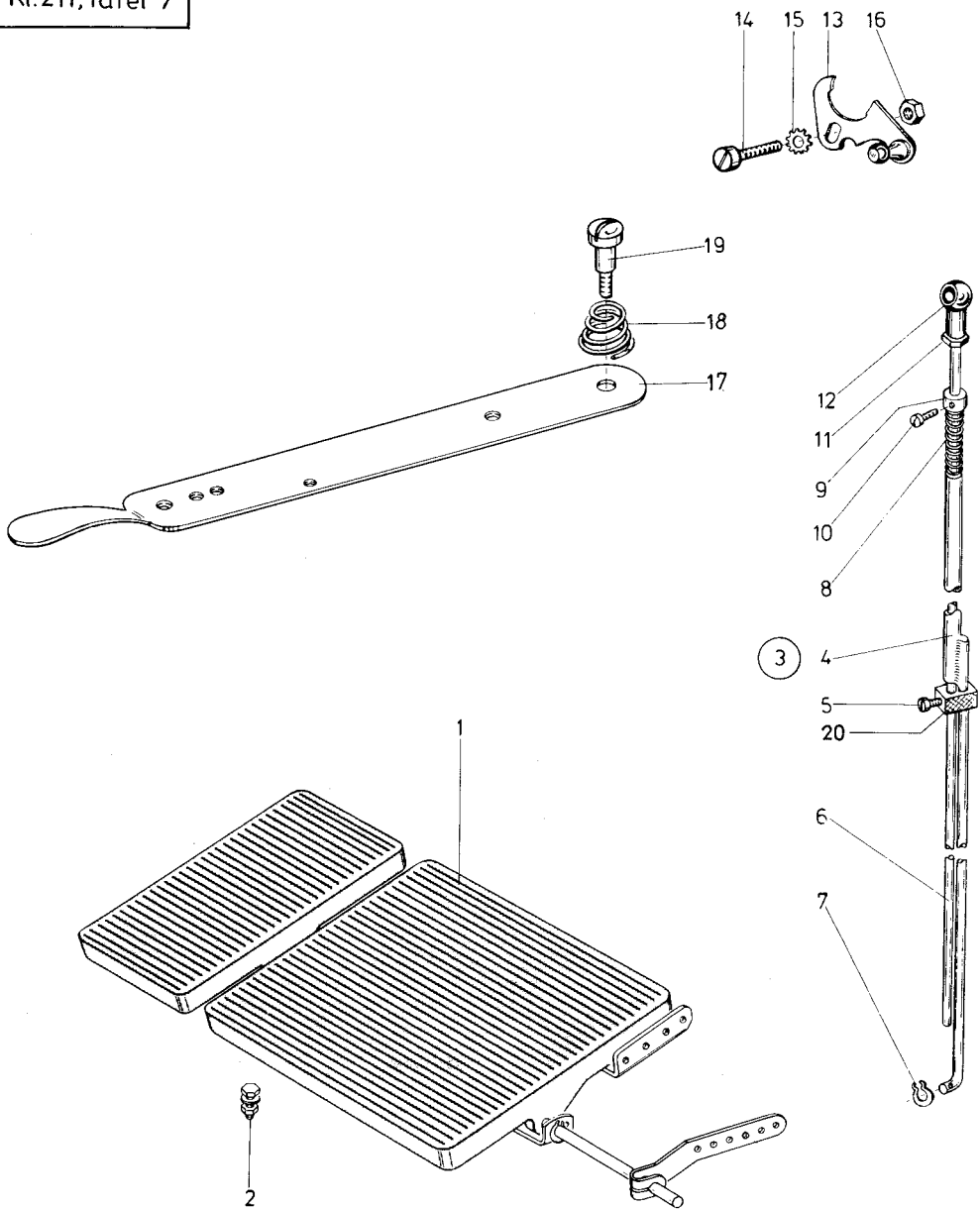
- 39
- 40
- 41
- 42
- 43
- 44
- 45
- 46
- 47
- 48

- 5
- 6
- 7
- 8
- 9
- 10
- 11
- 12
- 13
- 14
- 15
- 16
- 17
- 18
- 19

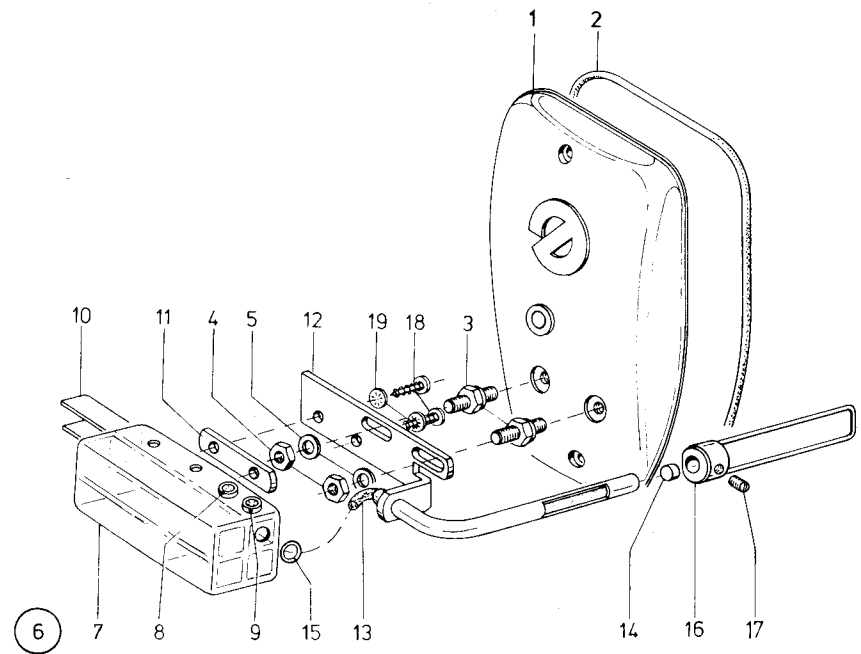
- 4
- 2
- 1
- 3



Kl.211, Tafel 7

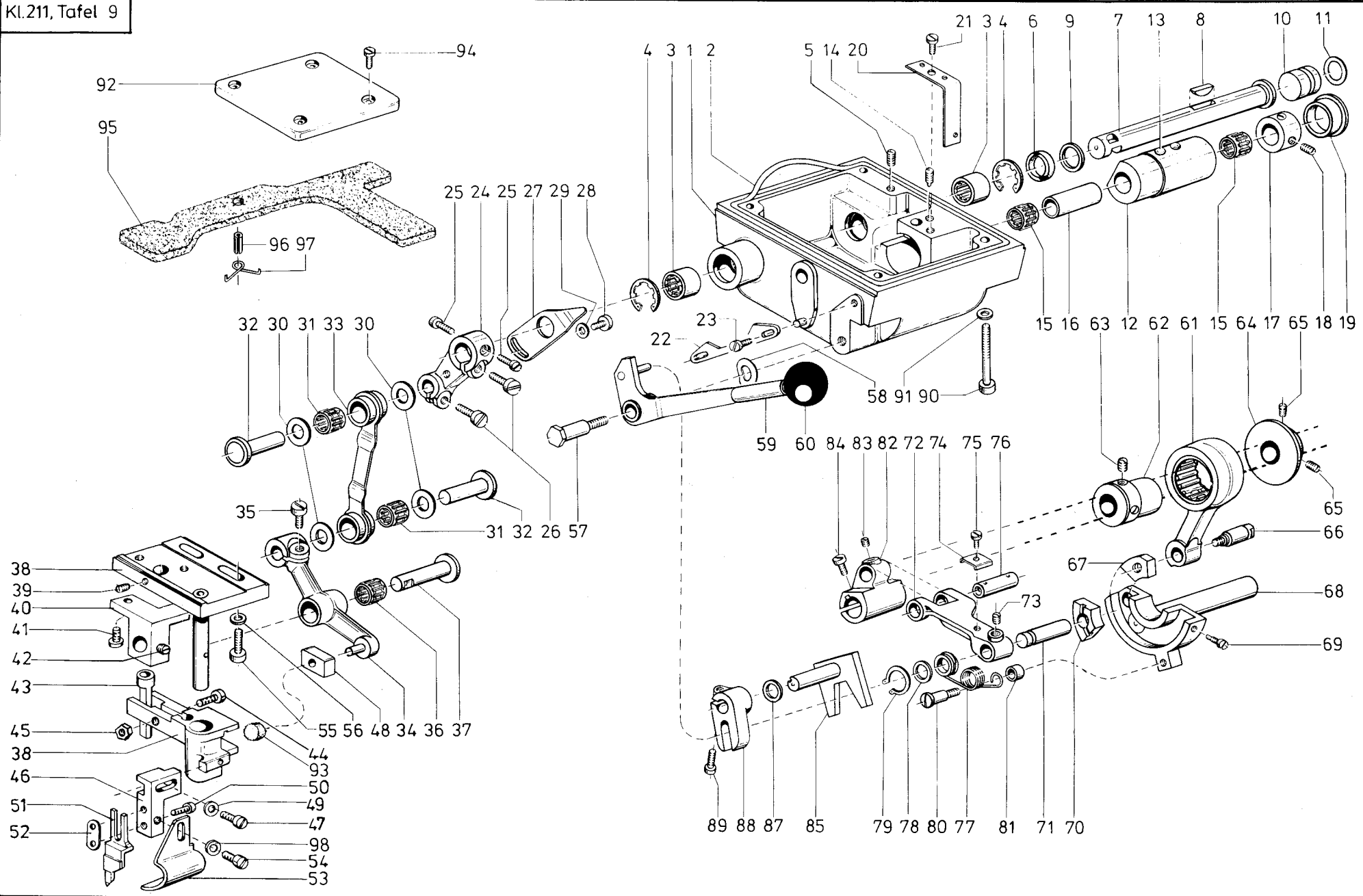


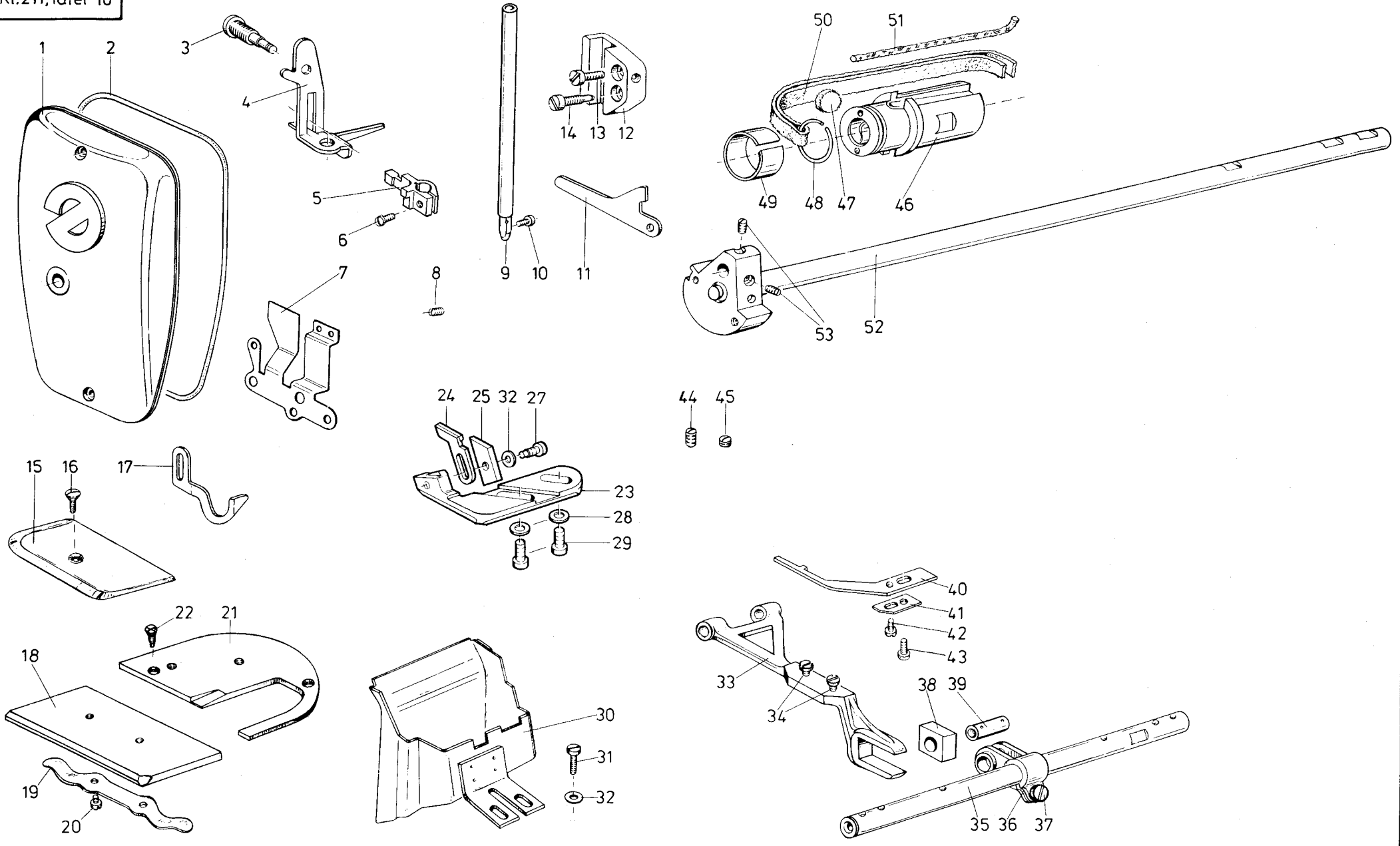
Kl.211, Tafel 8

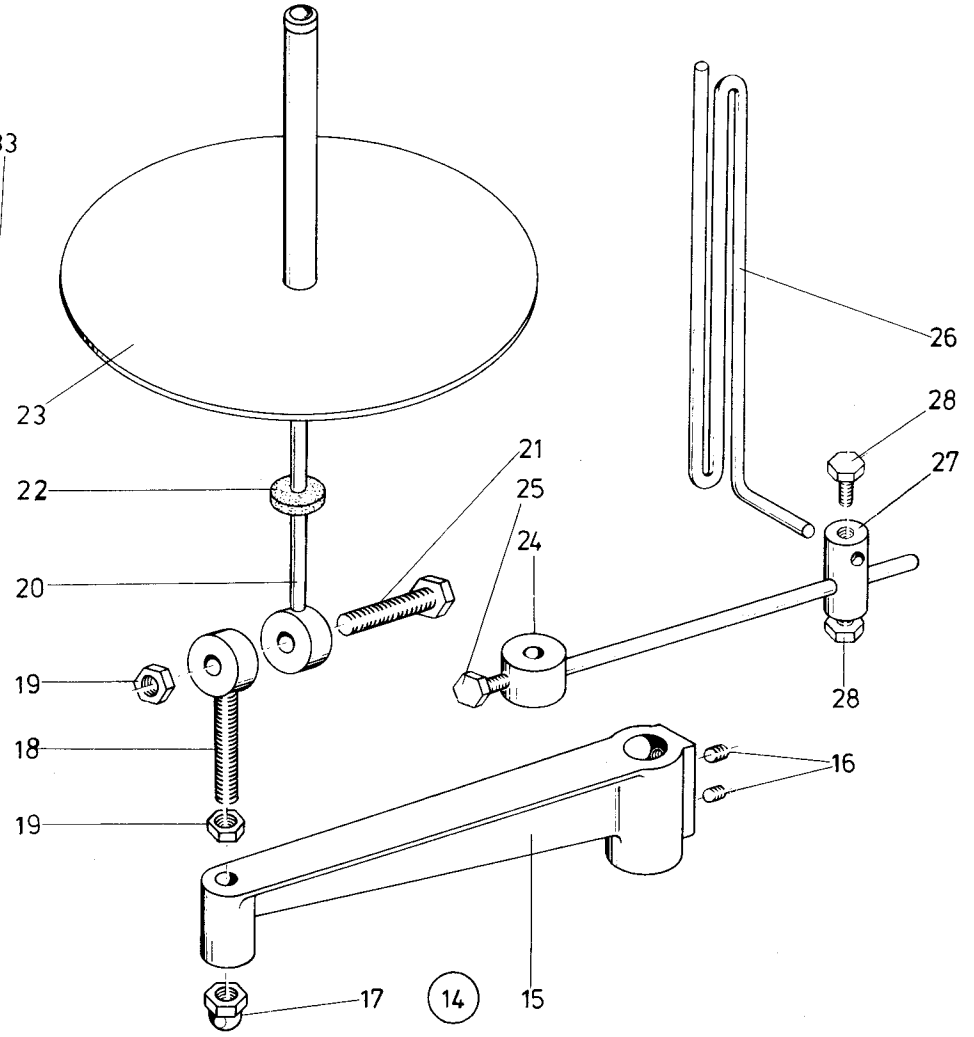
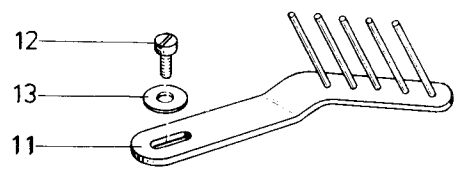
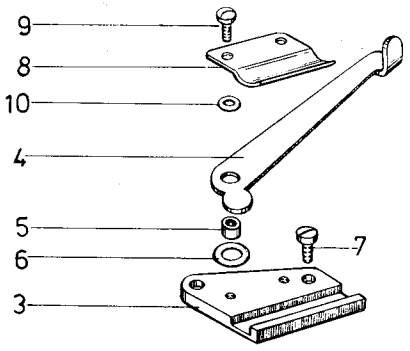
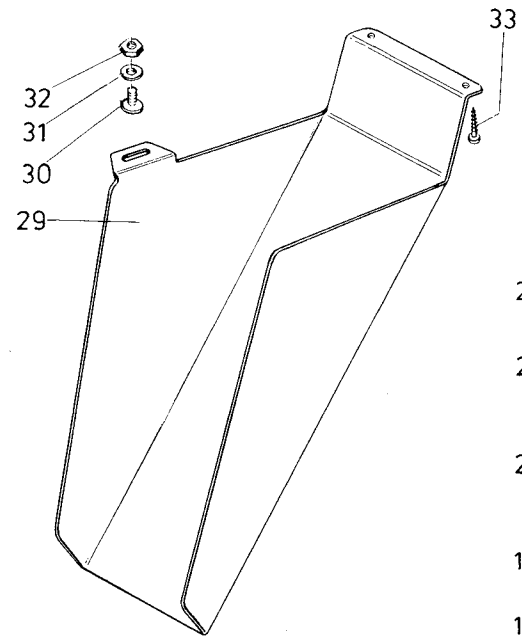
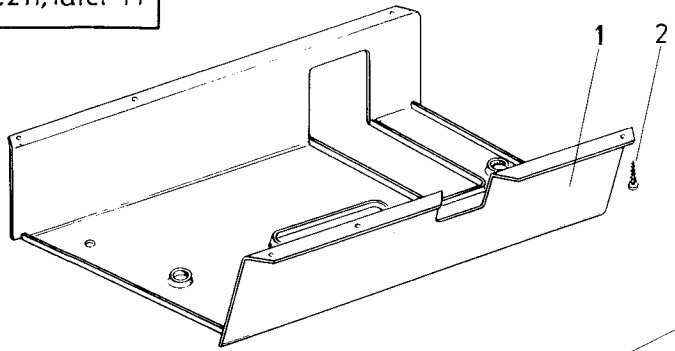


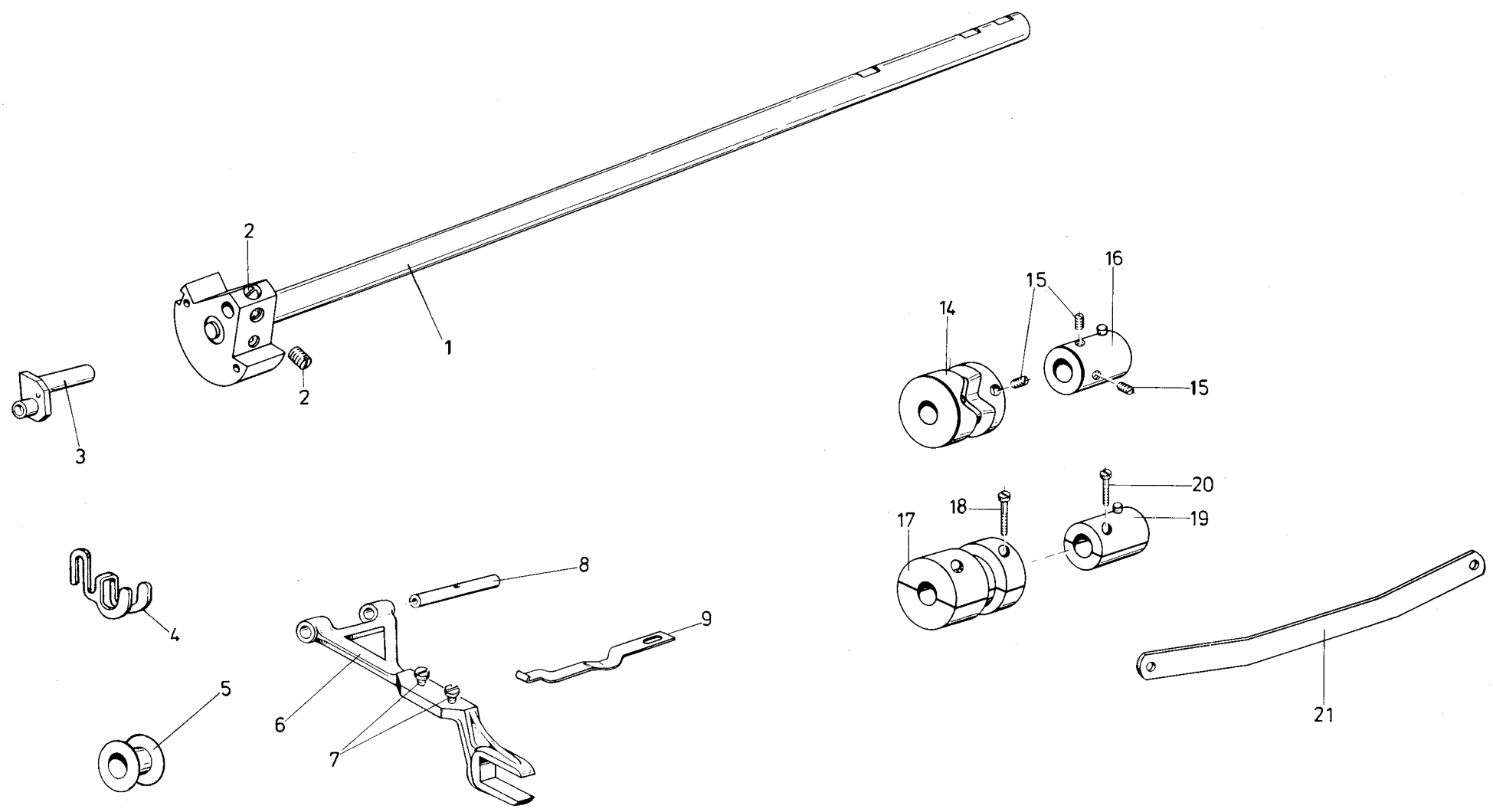
| Pos. Det. | Teile Nr. Part No. | Benennung | Denomination |
|--------------|-----------------------|---|---|
| | | Besondere Teile der DÜRKOPP 211S | Special parts for DÜRKOPP 211S |
| 1 | MG43/2551 | Fußtritt kpl. | Pedal cpl. |
| 2 | MG43/63k | Schraube kpl. | Screw cpl. |
| 3 | 211591 | Gestänge kpl. (best. aus Pos. 4 bis 12, 20) | Rods cpl. (consist. of pos. 4 up to 12, 20) |
| 4 | 211597 | Gestängeführung kpl. (mit Pos. 5) | Rods guidance cpl. (with pos. 5) |
| 5 | 556607 | Zyl.-Schraube | Cyl. head screw |
| 6 | 211600 | Stoßstange | Buffer bar |
| 7 | P 121/150 | Greifring | Clamping ring |
| 8 | 565202 | Druckfeder | Pressure spring |
| 9 | 211593 | Stellring kpl. (mit Pos. 10) | Set ring cpl. (with pos. 10) |
| 10 | 556607 | Zyl.-Schraube | Cyl. head screw |
| 11 | MG43/408 | 6kt.-Mutter | Hexagonal nut |
| 12 | 211616 | Kugelpfanne | Cup |
| 13 | 211604 | Hebel | Lever |
| 14 | 21131 | Zyl.-Schraube | Cyl. head screw |
| 15 | 211609 | Zahnscheibe | Tooth lock washer |
| 16 | MG43/408 | 6kt.-Mutter | Hexagonal nut |
| 17 | NB0/1041 | Schwenkschiene kpl. (mit Pos. 18, 19) | Swivelling rail cpl. (with pos. 18, 19) |
| 18 | 301666 | Druckfeder | Pressure spring |
| 19 | 2161165 | Ansatzschraube | Shoulder screw |
| 20 | 211613 | Führungsstück | Guide piece |

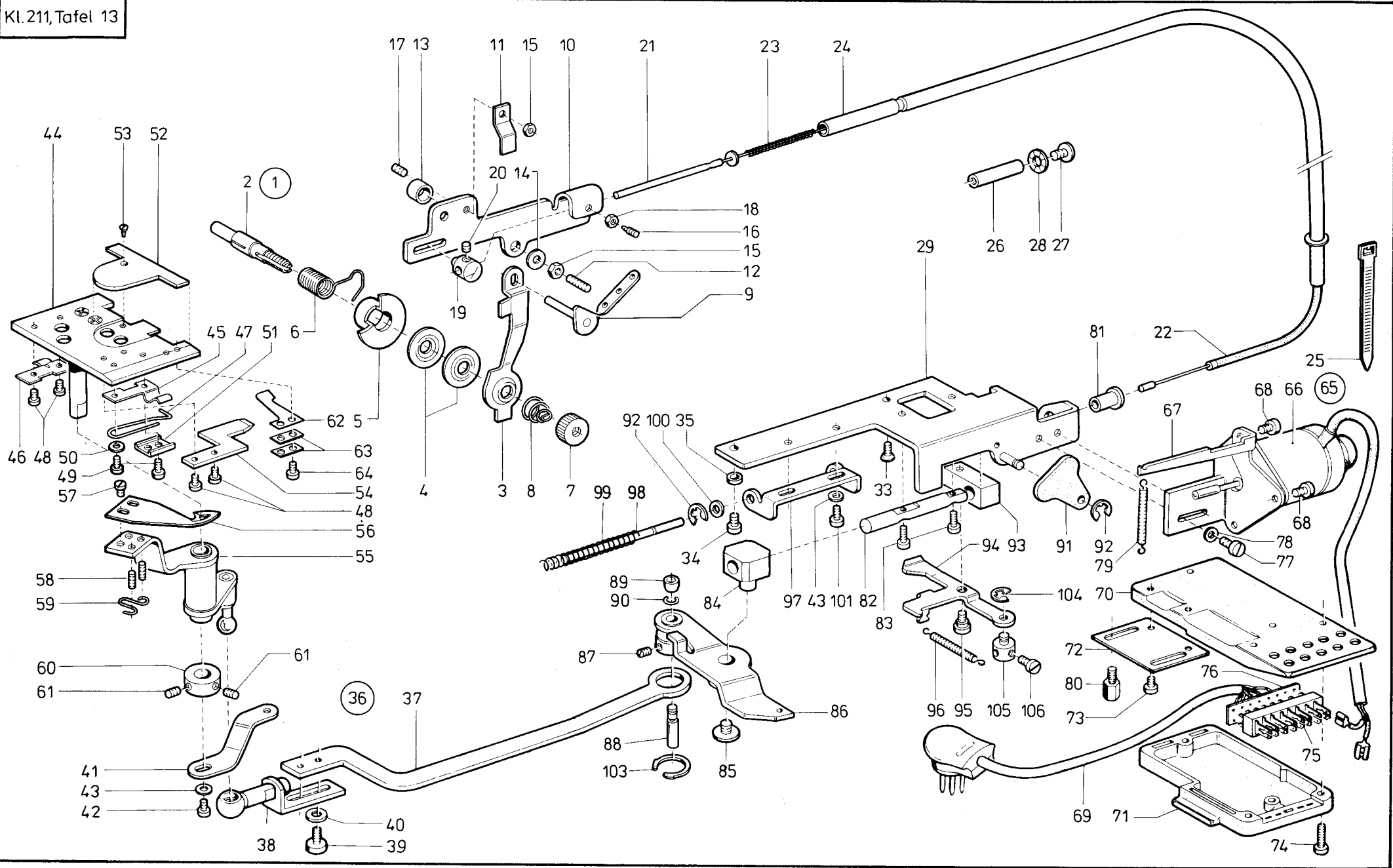
| Pos. Det. | Teile Nr. Part No. | Benennung | Denomination |
|--------------|-----------------------|---|--|
| | | Teile für Fadenschmierung | Parts for Thread lubrication |
| 1 | 2113211k | Kopfdeckel kpl. (mit Pos. 2 bis 5) | Face cover cpl. (with pos. 2 to 5) |
| 2 | 216471 | Rundschnurring | Round cord ring |
| 3 | 2113093 | Bef.-Bolzen | Fastening bolt |
| 4 | 237202 | 6kt.-Mutter | Hexagonal nut |
| 5 | 024275 | Scheibe | Washer |
| 6 | 2113501 | Fadenöler kpl. (best. aus Pos. 7 bis 19) | Thread oiler cpl. (cons. of pos. 7 to 19) |
| 7 | 5561412 | Ölbehälter | Oiler container |
| 8 | 5563086 | Verschlußstopfen | Cap |
| 9 | 5563087 | Füllstutzen | Filling sleeve |
| 10 | 5563088 | Bef.-Schraube | Fastening piece |
| 11 | 2161218 | Lasche | Shackle |
| 12 | 2113502 | Halblech | Holding plate |
| 13 | 5581517 | Ölfilz | Oil felt |
| 14 | 9335658 | Gummischeibe | Rubber disc |
| 15 | 216224 | Rundschnurring | Round cord ring |
| 16 | 2113227 | Fadenführung kpl. (mit Pos. 17) | Thread guide cpl. (with pos. 17) |
| 17 | 70220 | Gewindestift | Threaded stud |
| 18 | 7441115 | Blechschrabe | Sheet metal screw |
| 19 | 739347 | Zahnscheibe | Tooth lock washer |





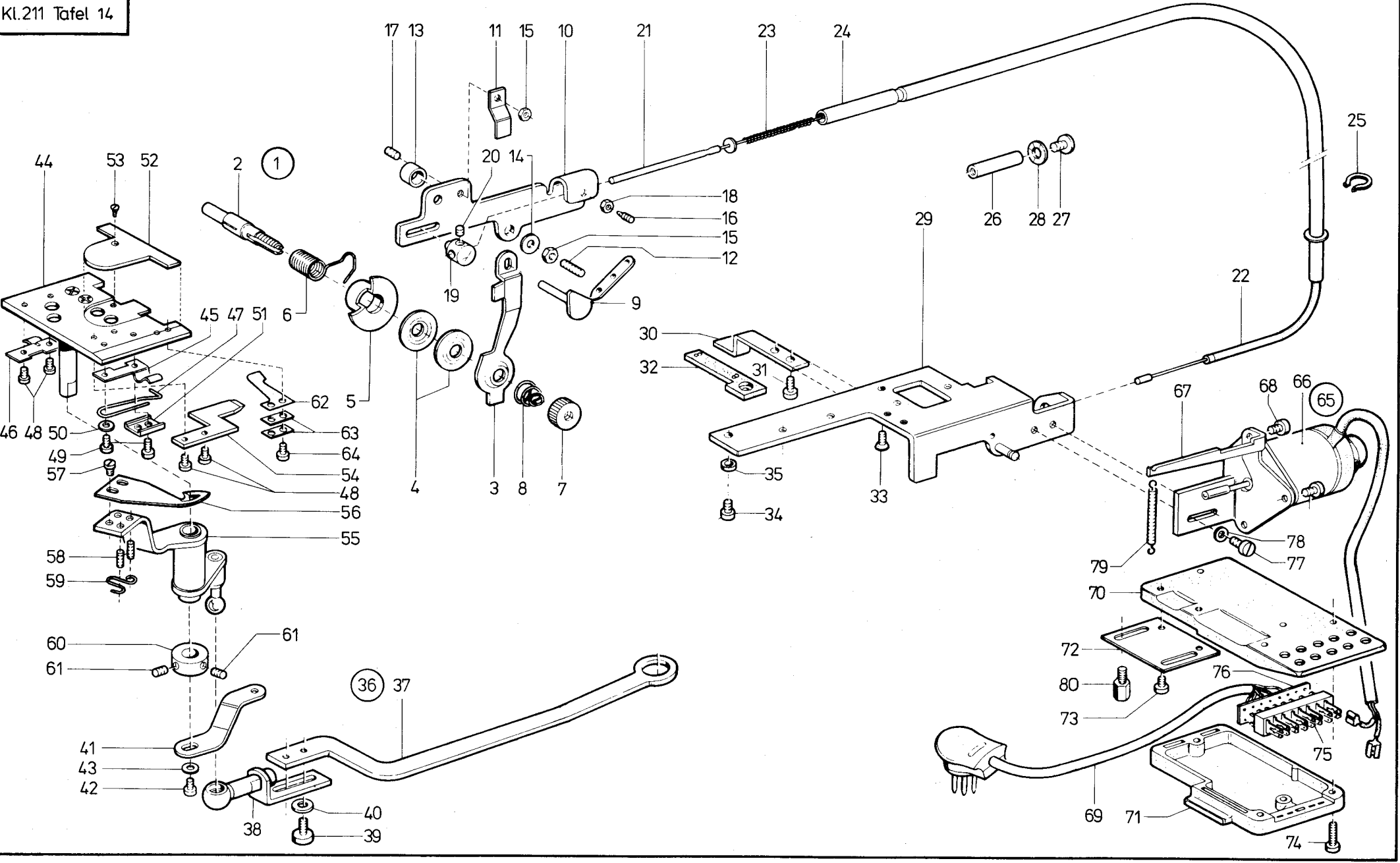




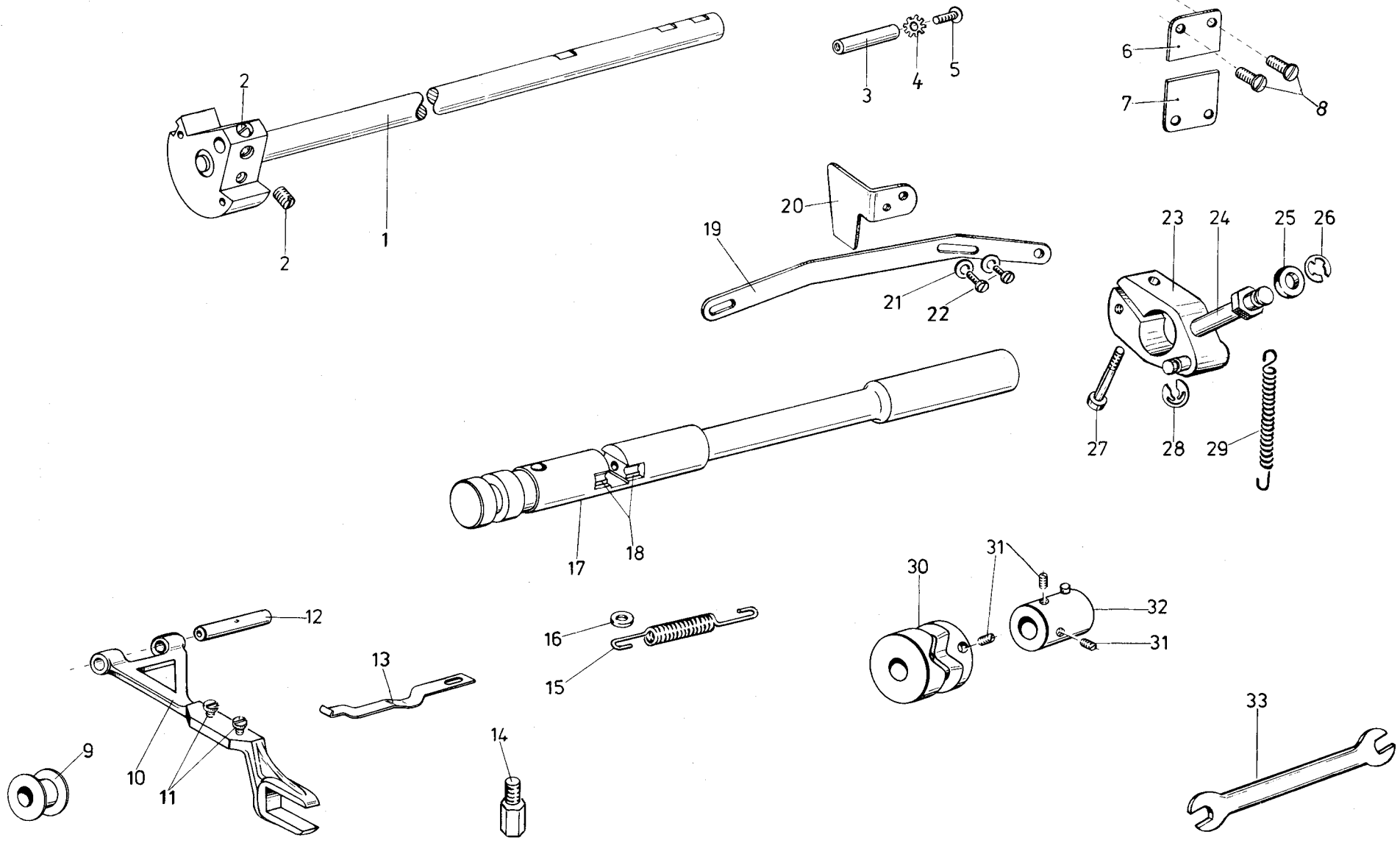


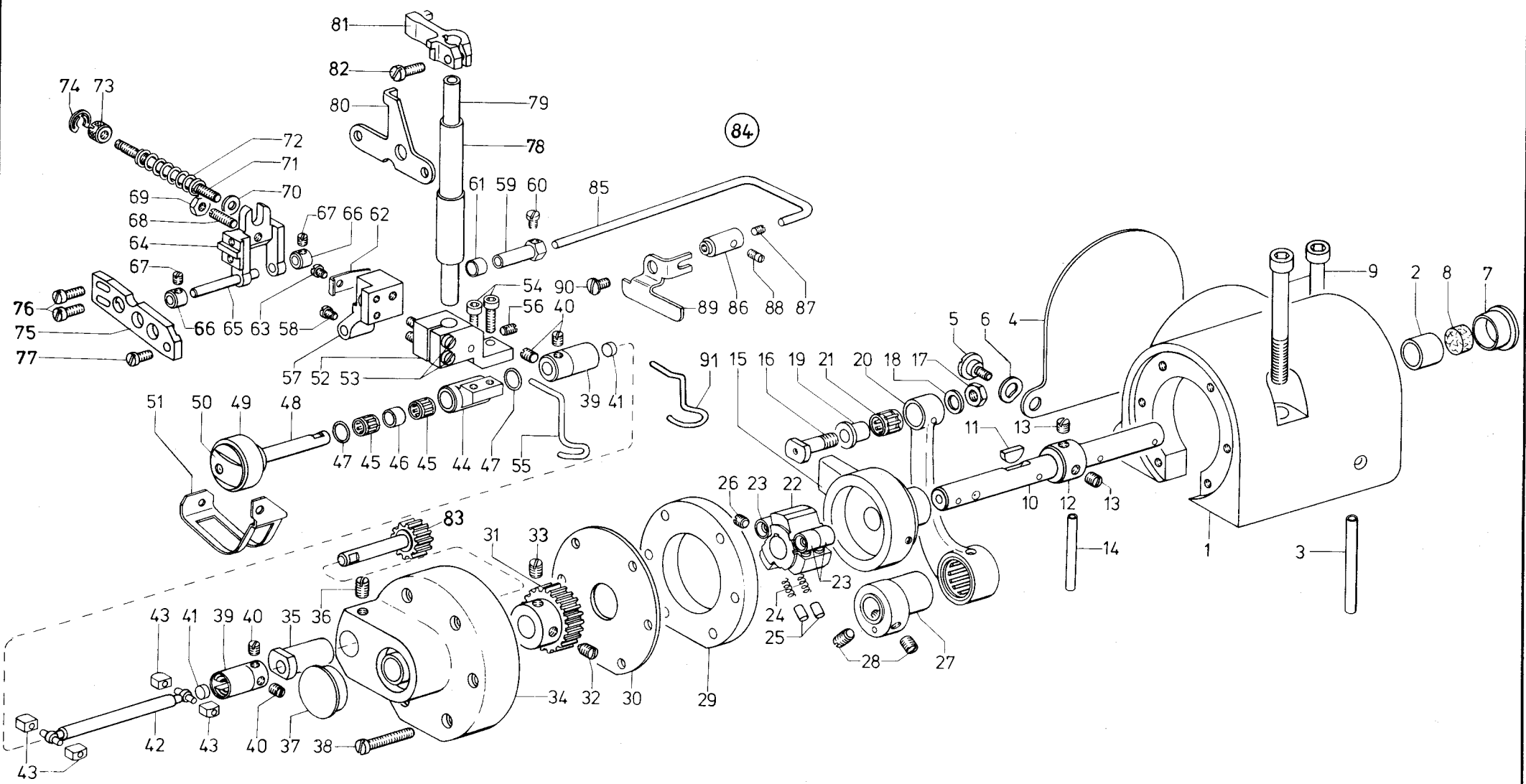
| Pos. Det. | Teile Nr. Part No. | Benennung | Denomination | Pos. Det. | Teile Nr. Part No. | Benennung | Denomination | Pos. Det. | Teile Nr. Part No. | Benennung | Denomination |
|-----------|--------------------|---|---|-----------|--------------------|---|--|-----------|--------------------|--|--|
| | | Besondere Teile der DÜRKOPP 211-15105, -19105, -115105 | Special parts for DÜRKOPP 211-15105, -19105, -115105 | | | | | | | | |
| 1 | 21150211 | Fadenspannung kpl. (best. aus Pos. 2 bis 8) | Thread tension cpl. (cons. of pos. 2 up to 8) | 39 | 223676 | Zyl.-Schraube | Cyl. head screw | 79 | 211455 | Zugfeder | Draw |
| 2 | 21150212 | Spannungsbolzen | Tension bolt | 40 | 5691895 | Scheibe | Washer | 80 | 21150413 | 6kt.-Schraube | Hexagonal screw |
| 3 | 21150213 | Fad.-Spannungshebel | Thread tension lever | 41 | 21150373 | Lasche | Shackle | 81 | 21150256 | Buchse | Bush |
| 4 | 21150214 | Spannungsscheibe | Tension disc | 42 | 216120 | Zyl.-Schraube | Cyl. head screw | 82 | 21150258 | Achse | Axle |
| 5 | 21150215 | Anschlaghülse | Stop sleeve | 43 | 5691895 | Scheibe | Washer | 83 | 216120 | Zyl.-Schraube | Cyl. head screw |
| 6 | 21150216 | Drehfeder | Torsion spring | 44 | 21150362a | Stichplattenschieber | Throat plate slide | 84 | 21150262 | Lagerbolzen | Bearing bolt |
| 7 | 211482 | Rändelmutter | Knurled nut | 45 | 21150363 | Blattfeder | Leaf spring | 85 | 246761 | Schraube | Screw |
| 8 | 00479 | Spannungsfeder | Tension spring | 46 | 21150363a | Blattfeder | Leaf spring | 86 | 21150264 | Einrückblech kpl. (mit Pos. 87) | Plate cpl. (with pos. 87) |
| 9 | 21150217 | Fadenleitwinkel | Thread guide angle | 47 | 21150364a | Sperrfeder | Drag spring | 87 | 42084 | Gewindestift | Threaded stud |
| 10 | 21150221 | Aufnahmeplatte | Seat plate | 48 | 216354 | Zyl.-Schraube | Cyl. head screw | 88 | 2119647 | Rollenbolzen kpl. (mit Pos. 89 und 90) | Roller bolt cpl. (with pos. 89 and 90) |
| 11 | 21150222a | Lasche | Shackle | 49 | 2113150 | Zyl.-Schraube | Cyl. head screw | 89 | 2119649 | Rolle | Roll |
| 12 | 5701757 | Gewindestift | Threaded stud | 50 | 1005233 | Scheibe | Washer | 90 | 2119650 | Federring | Spring ring |
| 13 | 21150223 | Ring | Ring | 51 | 244337 | Lasche | Shackle | 91 | 21150283 | Einrückhebel | Engaging lever |
| 14 | 557263 | Scheibe | Washer | 52 | 21150365 | Deckplatte | Cover plate | 92 | 211100a | Sicher.-Scheibe | Lock washer |
| 15 | MG43/408 | 6kt.-Mutter | Hexagonal nut | 53 | 223734 | Senkschraube | Countersunk screw | 93 | 21150291 | Aufnahmestück | Seat |
| 16 | 911279 | Gewindestift | Threaded stud | 54 | 21150366 | Gegenmesser | Counter knife | 94 | 21150294 | Auslösehebel | Releasing lever |
| 17 | 202708 | Gewindestift | Threaded stud | 55 | 21150375 | Messerwinkel | Knife angle | 95 | 211582 | Ansatzschraube | Shoulder screw |
| 18 | 202704 | 6kt.-Mutter | Hexagonal nut | 56 | 2196708a | Hakenmesser | Hook shaped knife | 96 | 2652032 | Zugfeder | Draw spring |
| 19 | 21150228k | Auslösebolzen (mit Pos. 20) | Releasing bolt (with pos. 20) | 57 | 9335713 | Zyl.-Schraube | Cyl. head screw | 97 | 21150301 | Führungswinkel | Guide square |
| 20 | 223669 | Gewindestift | Threaded stud | 58 | 2235047 | Gewindestift | Threaded stud | 98 | 21150302 | Gewindebolzen | Threaded bolt |
| 21 | 21150231 | Bowdenzug | Bowden cable | 59 | 21150381 | Feder | Spring | 99 | 21150303 | Druckfeder | Pressure spring |
| 22 | 21150236 | Bowdenspirale | Bowden spiral | 60 | 21150391 | Stellring kpl. (mit Pos. 61) | Set collar cpl. (with pos. 61) | 100 | 5511246 | Scheibe | Washer |
| 23 | 21150237 | Druckfeder | Pressure spring | 61 | 70220 | Gewindestift | Threaded stud | 101 | 21698 | Zyl.-Schraube | Cyl. head screw |
| 24 | 21150241 | Rohr kpl. | Tube cpl. | 62 | 21150396 | Klemmblech | Clamping plate | 103 | 2658716a | Sicher.-Ring | Safety ring |
| 25 | 7441978 | Kabelband | Cable band | 63 | 21150397 | Lasche | Shackle | 104 | 570138 | Sicher.-Scheibe | Lock washer |
| 26 | 265289 | Greifring | Clip ring | 64 | 5561686 | Zyl.-Schraube | Cyl. head screw | 105 | 21150228 | Auslösebolzen | Releasing bolt |
| 27 | 21150202 | Bolzen | Bolt | 65 | 24414271 | Magnet kpl. (best aus Pos. 66 bis 76) * | Solenoid cpl. (consist. of pos. 66 up to 76) * | 106 | 91192 | Zyl.-Schraube | Cyl. head screw |
| 28 | 10019130 | Linsenschraube | Fillister head screw | 66 | 24414178 | Hubmagnet * | Lifting solenoid * | | | | |
| 29 | 911267 | Zahnscheibe | Tooth lock washer | 67 | 21150312 | Magnethalter * | Solenoid holder * | | | | |
| 30 | 21150251 | Grundplatte | Base plate | 68 | 2231296 | Zyl.-Schraube * | Cyl. head screw * | | | | |
| 31 | 90297 | Senkschraube | Countersunk screw | 69 | 798352501 | Leitung kpl. * | Cable cpl. * | | | | |
| 32 | 21688 | Zyl.-Schraube | Cyl. head screw | 70 | 798140055 | Gehäuse * | Housing * | | | | |
| 33 | 2132038 | Buchse | Bush | 71 | 798140056 | Deckel * | Cover * | | | | |
| 34 | 21150352a | Zugstange kpl. (best. aus Pos. 37 bis 40) | Traction rod cpl. (consist. of pos. 37 up to 40) | 72 | 24414275 | Lasche * | Shackle * | | | | |
| 35 | 21150353a | Zugstange | Traction rod | 73 | 739297 | Zyl.-Schraube * | Cyl. head screw * | | | | |
| 36 | 21150354a | Winkel kpl. | Angle cpl. | 74 | 1001360 | Zyl.-Schraube * | Cyl. head screw * | | | | |
| | | | | 75 | 798240218 | Steckleiste * | Multipole connector * | | | | |
| | | | | 76 | 798440001 | Leiterplatte * | Printed board assembly * | | | | |
| | | | | 77 | 216123 | Zyl.-Schraube | Cyl. head screw | | | | |
| | | | | 78 | 024275 | Scheibe | Washer | | | | |

* Nicht für 211-115105 * Not for 211-115105

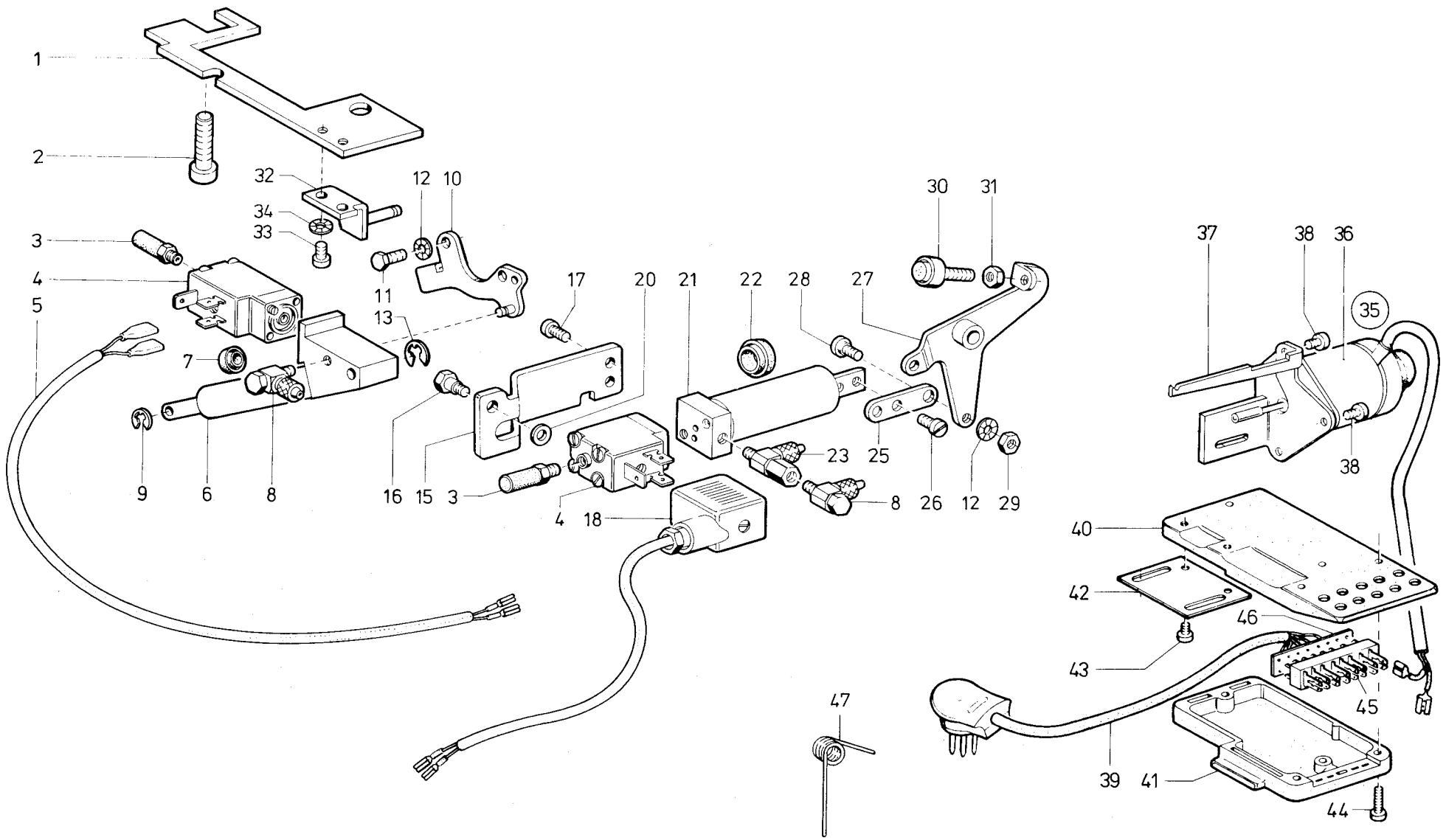


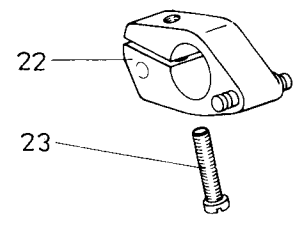
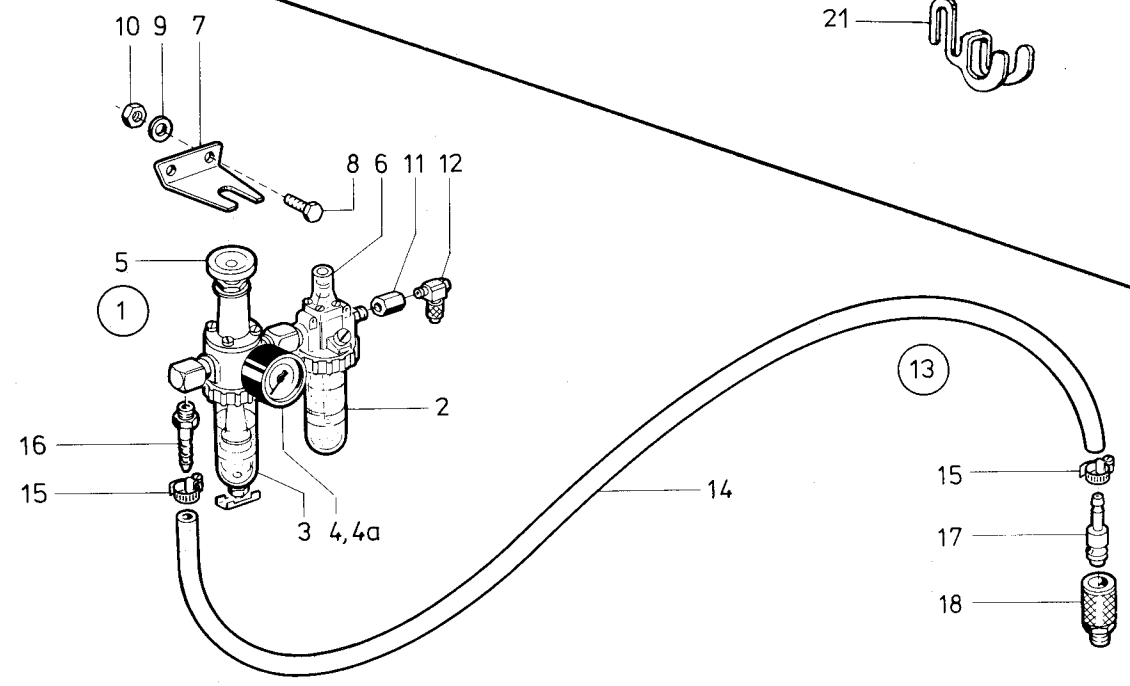
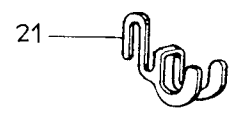
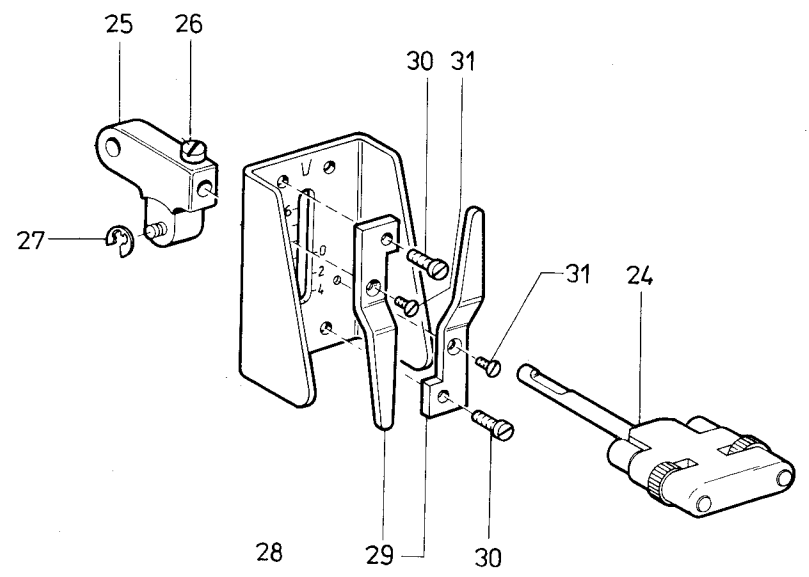
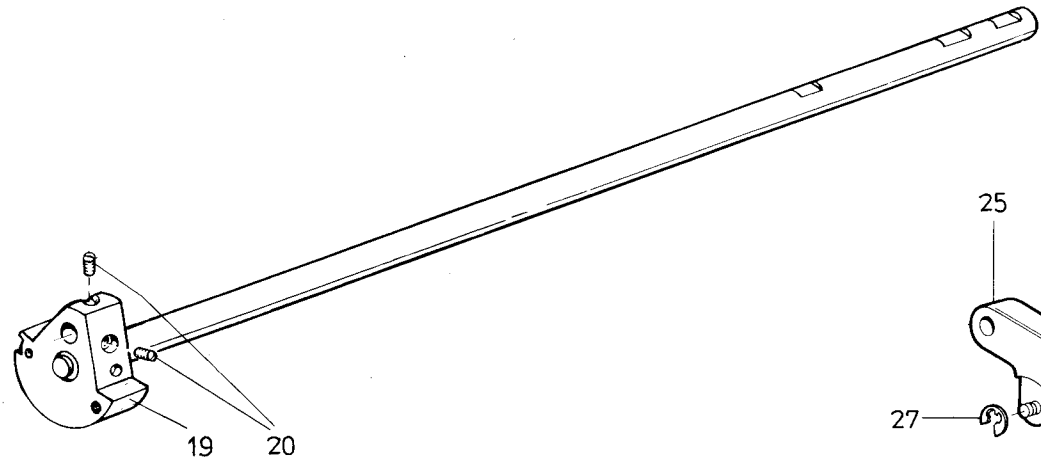
| Pos. Det. | Teile Nr. Part No. | Benennung | Denomination | Pos. Det. | Teile Nr. Part No. | Benennung | Denomination | Pos. Det. | Teile Nr. Part No. | Benennung | Denomination |
|-----------|--------------------|---|---|-----------|--------------------|--|---|-----------|--------------------|-------------------------------|-----------------------------|
| | | Besondere Teile der DÜRKOPP 211-15255, -115255 | Special parts for DÜRKOPP 211-15255, -115255 | | | | | | | | |
| 1 | 21150211 | Fadenspannung kpl. (best. aus Pos. 2 bis 8) | Thread tension cpl. (cons. of pos. up to 8) | 37 | 21150353a | Zugstange | Traction rod | 77 | 216123 | Zyl.-Schraube | Cyl. head screw |
| 2 | 21150212 | Spannungsbolzen | Tension bolt | 38 | 21150354a | Winkel kpl. | Angle cpl. | 78 | 024275 | Scheibe | Washer |
| 3 | 21150213 | Fad.-Spannungshebel | Thread tension lever | 39 | 223676 | Zyl.-Schraube | Cyl. head screw | 79 | 211455 | Zugfeder | Draw |
| 4 | 21150214 | Spannungsscheibe | Tension disk | 40 | 5691895 | Scheibe | Washer | 80 | 21150413 | 6kt.-Schraube | Hexagonal screw |
| 5 | 21150215 | Anschlaghülse | Stop sleeve | 41 | 21150373 | Lasche * | Shackle * | | | | |
| 6 | 21150216 | Drehfeder | Torsion spring | 42 | 216120 | Zyl.-Schraube * | Cyl. head screw * | | | * nicht für 211-115255 | * not for 211-115255 |
| 7 | 211482 | Rändelmutter | Knurled nut | 43 | 5691895 | Scheibe * | Washer * | | | | |
| 8 | 00479 | Spannungsfeder | Tension spring | 44 | 21151712 | Stichplattenschieber | Throat plate slide | | | | |
| 9 | 21150217 | Fadenleitwinkel | Thread guide angle | 45 | 21150363 | Blattfeder | Leaf spring | | | | |
| 10 | 21150221 | Aufnahmeplatte | Seat plate | 46 | 21150363a | Blattfeder | Leaf spring | | | | |
| 11 | 21150222a | Lasche | Shackle | 47 | 21150364a | Sperrfeder | Drag spring | | | | |
| 12 | 5701757 | Gewindestift | Threaded stud | 48 | 216354 | Zyl.-Schraube | Cyl. head screw | | | | |
| 13 | 21150223 | Ring | Ring | 49 | 2113150 | Zyl.-Schraube | Cyl. head screw | | | | |
| 14 | 557263 | Scheibe | Washer | 50 | 1005233 | Scheibe | Washer | | | | |
| 15 | MG43/408 | 6kt.-Mutter | Hexagonal nut | 51 | 244337 | Lasche | Shackle | | | | |
| 16 | 911279 | Gewindestift | Threaded stud | 52 | 21150365 | Deckplatte | Cover plate | | | | |
| 17 | 202708 | Gewindestift | Threaded stud | 53 | 223734 | Senkschraube | Countersunk screw | | | | |
| 18 | 202704 | 6kt.-Mutter | Hexagonal nut | 54 | 21150366 | Gegenmesser | Counter knife | | | | |
| 19 | 21150228k | Auslösebolzen (mit Pos. 20) | Releasing bolt (with pos. 20) | 55 | 21150375 | Messerwinkel | Knife angle | | | | |
| 20 | 223669 | Gewindestift | Threaded stud | 56 | 2196708a | Hakenmesser | Hook shaped knife | | | | |
| 21 | 21150231 | Bowdenzug | Bowden cable | 57 | 9335713 | Zyl.-Schraube | Cyl. head screw | | | | |
| 22 | 21150236 | Bowdenspirale | Bowden spiral | 58 | 2235047 | Gewindestift | Threaded stud | | | | |
| 23 | 21150237 | Druckfeder | Pressure spring | 59 | 21150381 | Feder | Spring | | | | |
| 24 | 21150241 | Rohr kpl. (mit Pos. 25) | Tube cpl. (with pos. 25) | 60 | 21150391 | Stelling kpl. (mit Pos. 61) | Set collar cpl. (with pos. 61) | | | | |
| 25 | 265289 | Greifring | Clip ring | 61 | 70220 | Gewindestift | Threaded stud | | | | |
| 26 | 21150202 | Bolzen | Bolt | 62 | 21150396 | Klemmblech | Clamping plate | | | | |
| 27 | 10019130 | Linsenschrauben | Fillister head screw | 63 | 21150397 | Lasche | Shackle | | | | |
| 28 | 911267 | Zahnscheibe | Tooth lock washer | 64 | 5561686 | Zyl.-Schraube | Cyl. head screw | | | | |
| 29 | 2198205 | Grundplatte | Base plate | 65 | 24414271 | Magnet kpl. (best. aus Pos. 66 bis 76) * | Solenoid cpl. (cons. of pos. 66 up to 76) * | | | | |
| 30 | 2198206 | Winkel | Angle | 66 | 24414178 | Hubmagnet * | Lifting solenoid * | | | | |
| 31 | 216601 | Zyl.-Schraube | Cyl. head screw | 67 | 21150312 | Magnethalter * | Solenoid holder * | | | | |
| 32 | 2198209 | Ölleder | Oil leather | 68 | 2231296 | Zyl.-Schraube * | Cyl. head screw * | | | | |
| 33 | 90297 | Senkschraube | Countersunk screw | 69 | 798352501 | Leitung kpl. * | Cable cpl. * | | | | |
| 34 | 21688 | Zyl.-Schraube | Cyl. head screw | 70 | 798140055 | Gehäuse * | Housing * | | | | |
| 35 | 2132038 | Buchse | Bush | 71 | 798140056 | Deckel * | Cover * | | | | |
| 36 | 21150352a | Zugstange kpl. (best. aus Pos. 37-40) | Traction rod cpl. (cons. of pos. 37-40) | 72 | 24414275 | Lasche * | Shackle * | | | | |
| | | | | 73 | 739297 | Zyl.-Schraube * | Cyl. head screw * | | | | |
| | | | | 74 | 1001360 | Zyl.-Schraube * | Cyl. head screw * | | | | |
| | | | | 75 | 798240218 | Steckleiste * | Multipole connector * | | | | |
| | | | | 76 | 798440001 | Leiterplatte * | Printed board assembly * | | | | |

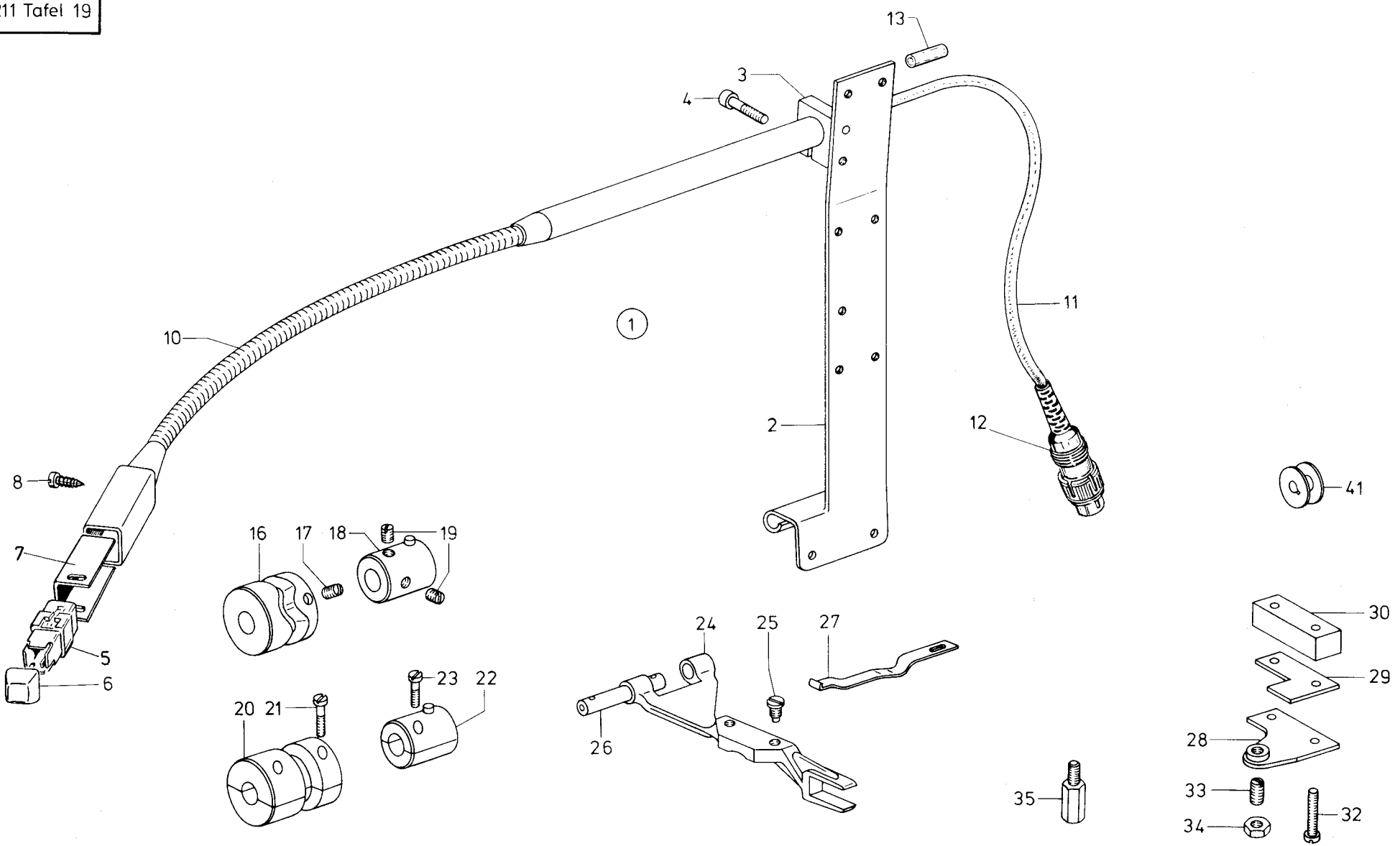


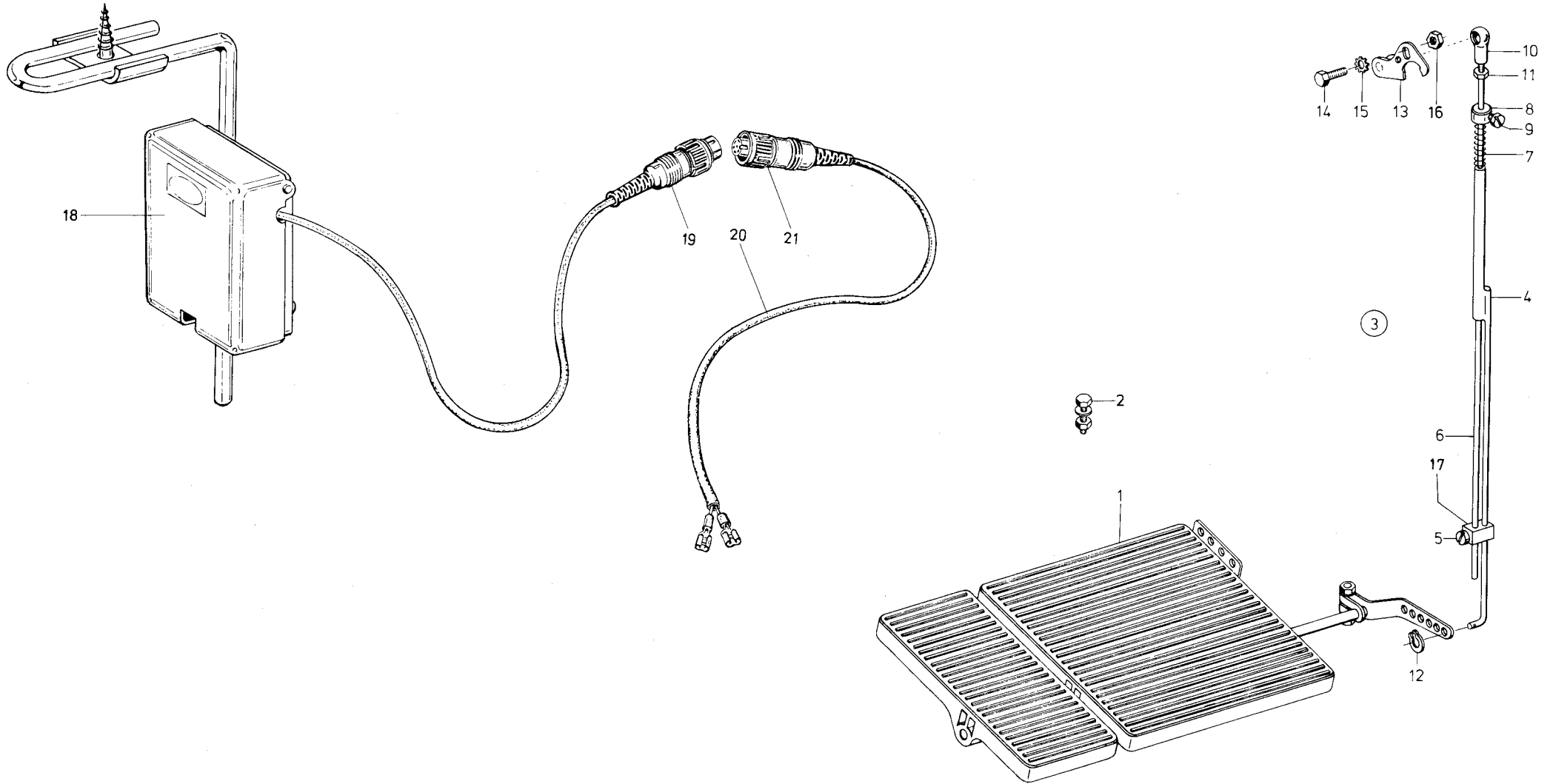


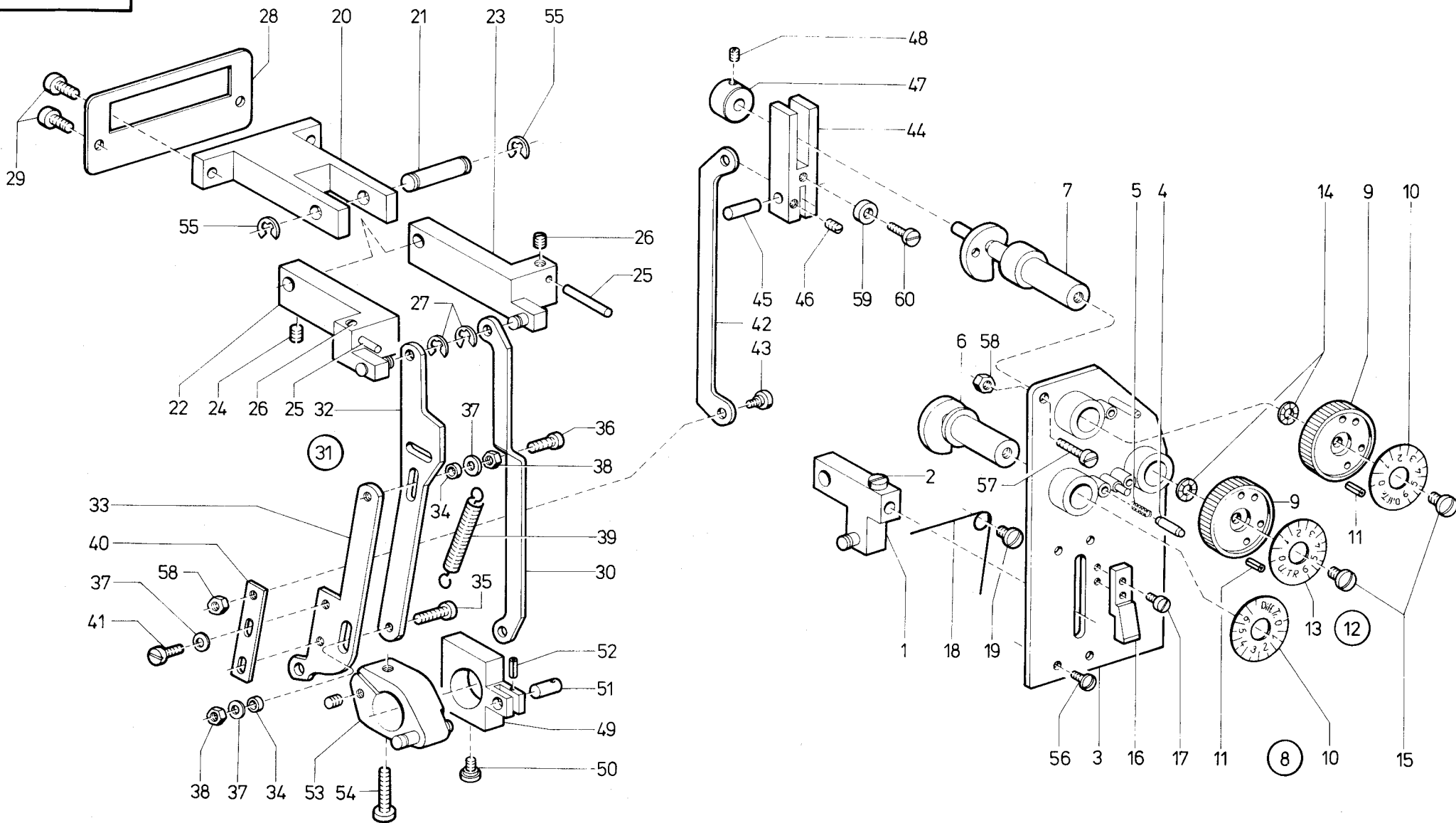
| Pos. Det. | Teile Nr. Part No. | Benennung | Denomination | Pos. Det. | Teile Nr. Part No. | Benennung | Denomination | Pos. Det. | Teile Nr. Part No. | Benennung | Denomination |
|--------------|-----------------------|--|--|--------------|-----------------------|---|--|--------------|-----------------------|--|--|
| | | Besondere Teile der DÜRKOPP 211-19105 | Special parts for DÜRKOPP 211-19105 | | | | | | | | |
| 1 | 9335562 | Getr.-Gehäuse kpl. (mit Pos. 2 und 3) | Gear box cpl. (with pos. 2 and 3) | 35 | 9335638 | Exzenterbuchse | Eccentric bush | 73 | 241720 | Rändelmutter | Knurled nut |
| 2 | 9335566 | Lagerbuchse | Bearing bush | 36 | 531471 | Gewindestift | Threaded stud | 74 | 255129 | Sicher.-Scheibe | Safety washer |
| 3 | 9335564 | Ölrohr | Oil tube | 37 | 911333 | Verschlußkappe | Cap | 75 | 9335681 | Zwischenstück | Distance piece |
| 4 | 9335568 | Getr.-Deckel | Gear cover | 38 | 2115641 | Zyl.-Schraube | Cyl. head screw | 76 | 216120 | Zyl.-Schraube | Cyl. head screw |
| 5 | 216547 | Schraube | Screw | 39 | 9335652 | Gelenkbuchse kpl. (mit Pos. 40 und 41) | Articulated bush cpl. (with pos. 40 and 41) | 77 | 216497 | Linsenschraube | Fillister head screw |
| 6 | 216425 | Federscheibe | Spring washer | 40 | 147203 | Gewindestift | Threaded stud | 78 | 9311951 | Fußstang.-Buchse | Feet rod bush |
| 7 | 5561570 | Verschlußkappe | Cover | 41 | 9335658 | Gummischeibe | Rubber disc | 79 | 9335646 | Fußstange | Feet rod |
| 8 | 9335576 | Filzstück | Felt | 42 | 9335661k | Kreuzgelenk kpl. (mit Pos. 43) | Universal joint (with pos. 43) | 80 | 2115943 | Halteblech | Holding plate |
| 9 | 9335644 | Zyl.-Schraube | Cyl. head screw | 43 | 9335666 | Gleitstein | Sliding block | 81 | 2115649 | Kloben kpl. (mit Pos. 82) | Block cpl. (with pos. 82) |
| 10 | 9335574 | Welle | Shaft | 44 | 9335672 | Lager kpl. (mit Pos. 45 und 46) | Bearing cpl. (with pos. 45 and 46) | 82 | 21688 | Zyl.-Schraube | Cyl. head screw |
| 11 | 72313 | Scheibenfeder | Disc spring | 45 | 211208 | Nadelkranz | Needle holder | 83 | 9335634 | Zahnrad | Gear wheel |
| 12 | 212627 | Stellring kpl. (mit Pos. 13) | Set collar cpl. (with pos. 13) | 46 | 9335675 | Distanzring | Distance ring | 84 | 9335696 | Anschlag kpl. (best. aus Pos. 85 bis 90) | Stop cpl. (consist. of pos. 85 up to 90) |
| 13 | 57055 | Gewindestift | Threaded stud | 47 | 9335660 | Rundschnurring | Round cord ring | 85 | 9335700 | Bügel | Bow |
| 14 | 211641 | Schlauch | Hose | 48 | 9335721 | Transportrad kpl. (mit Pos. 49 und 50) | Transport wheel cpl. (with pos. 49 and 50) | 86 | 9335697 | Buchse | Bush |
| 15 | 9335596 | Getr.-Antrieb | Gear driver | 49 | 9335725 | Rolle | Roll | 87 | 10019123 | Gewindestift | Threaded stud |
| 16 | 9335603 | Lagerbolzen kpl. (mit Pos. 17 und 18) | Bearing bolt cpl. (with pos. 17 and 18) | 50 | 9335724 | Mutter | Nut | 88 | 380793 | Bef.-Schraube | Fastening screw |
| 17 | 212232 | 6kt.-Mutter | Hexagonal nut | 51 | 9335726 | Abweiserbügel | Repeller bow | 89 | 9335699 | Anschlag | Stop |
| 18 | 021154 | Scheibe | Washer | 52 | 9335667k | Bef.-Kloben kpl. (mit Pos. 53) | Fastening block cpl. (with pos. 53) | 90 | 9441366 | Schraube | Screw |
| 19 | 9335609 | Lagerbuchse | Bearing bush | 53 | 211496 | Zyl.-Schraube | Cyl. head screw | 91 | 9335668a | Fingerschutz | Finger guard |
| 20 | 9335611k | Hubstange kpl. (mit Pos. 21) | Lifter rod cpl. (with pos. 21) | 54 | 7441968 | Zyl.-Schraube | Cyl. head screw | | | | |
| 21 | 211408 | Nadelkranz | Needle holder | 55 | 9335694 | Fingerschutz | Finger guard | | | | |
| 22 | 9335614 | Getrieberad kpl. (mit Pos. 26) | Gear wheel cpl. (with pos. 26) | 56 | 223669 | Gewindestift | Threaded stud | | | | |
| 23 | 9335623 | Getrieberolle | Gear roll | 57 | 9335678 | Gelenkstück | Articulated piece | | | | |
| 24 | 9335622 | Druckfeder | Pressure spring | 58 | 2241219 | Schraube | Screw | | | | |
| 25 | 9335621 | Federkappe | Spring cap | 59 | App. 5 | Verstellstück | Regulating piece | | | | |
| 26 | 147203 | Gewindestift | Threaded stud | 60 | 008191 | Schraube | Screw | | | | |
| 27 | 21111382 | Exzenter kpl. (mit Pos. 28) | Eccentric cpl. (with pos. 28) | 61 | 9335671 | Distanzring | Distance ring | | | | |
| 28 | 223652 | Gewindestift | Threaded stud | 62 | App. 7 | Feder | Spring | | | | |
| 29 | 9335625 | Lagerring | Bearing ring | 63 | 70263 | Zyl.-Schraube | Cyl. head screw | | | | |
| 30 | 9335626 | Distanzscheibe | Distance washer | 64 | 9335679 | Füßchenhalter | Feet holder | | | | |
| 31 | 9335629 | Zahnrad kpl. (mit Pos. 32 und 33) | Gear wheel cpl. (with pos. 32 and 33) | 65 | 9335680 | Achse | Shaft | | | | |
| 32 | 100165 | Schraube | Screw | 66 | 9335682 | Stellring kpl. (mit Pos. 67) | Set collar cpl. (with pos. 67) | | | | |
| 33 | 223237 | Gewindestift | Threaded stud | 67 | 70273 | Gewindestift | Threaded stud | | | | |
| 34 | 9335636 | Gehäusedeckel kpl. (mit Pos. 35, 36, 37) | Housing cover cpl. (with pos. 35, 36, 37) | 68 | 10019150 | Gewindestift | Threaded stud | | | | |
| | | | | 69 | 237202 | 6kt.-Mutter | Hexagonal nut | | | | |
| | | | | 70 | 024275 | Scheibe | Washer | | | | |
| | | | | 71 | 9335686 | Schraube | Screw | | | | |
| | | | | 72 | 9335687 | Druckfeder | Pressure spring | | | | |



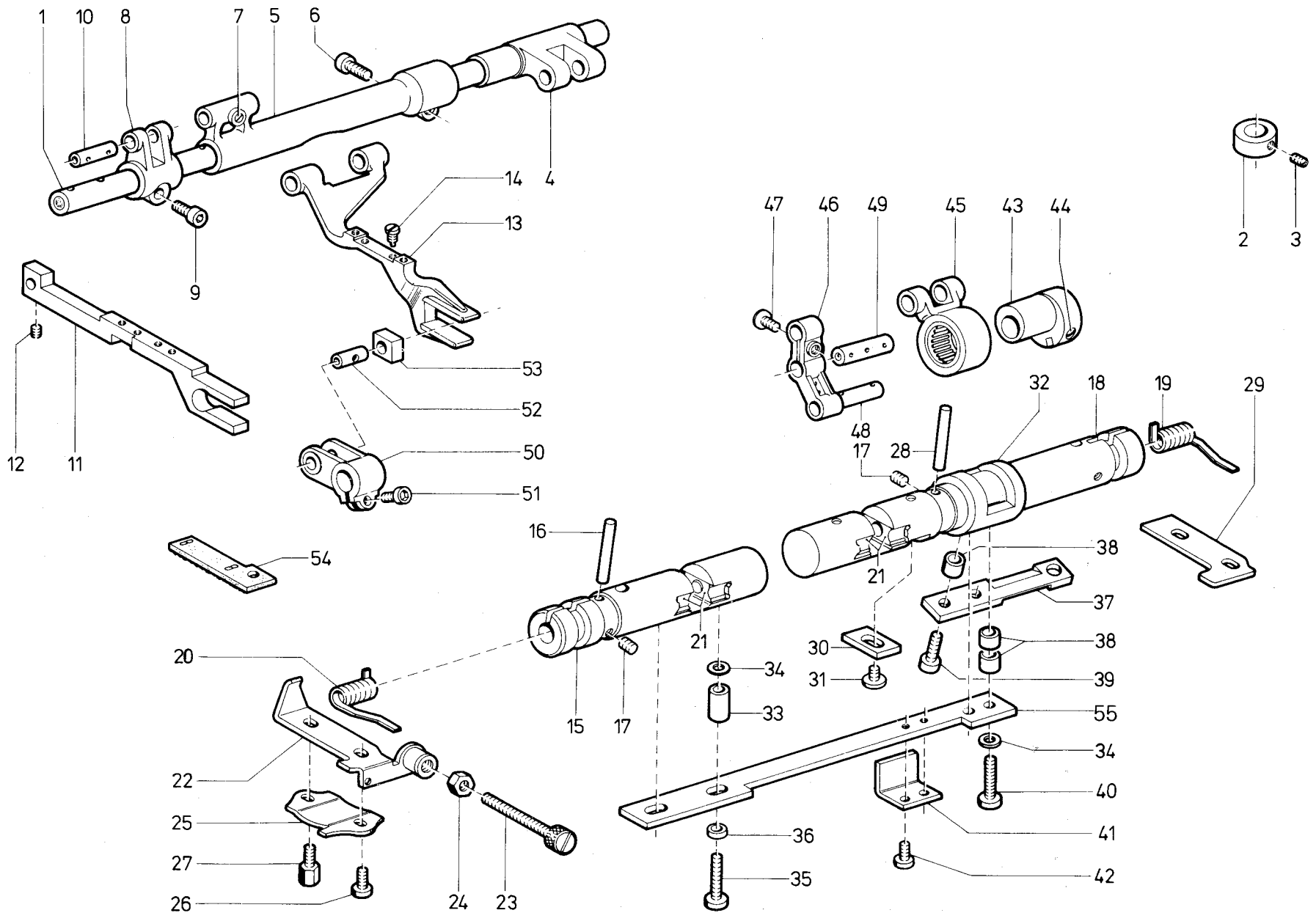


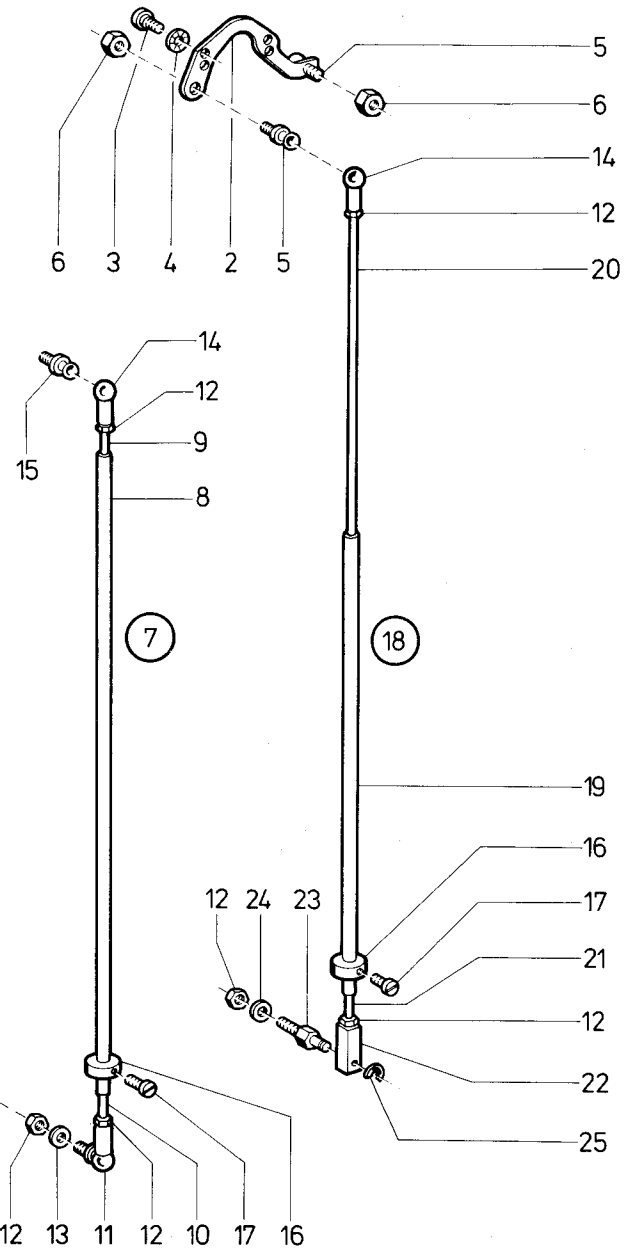
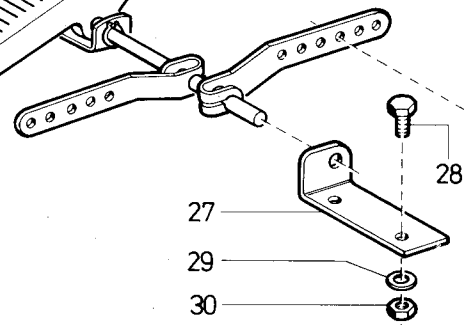
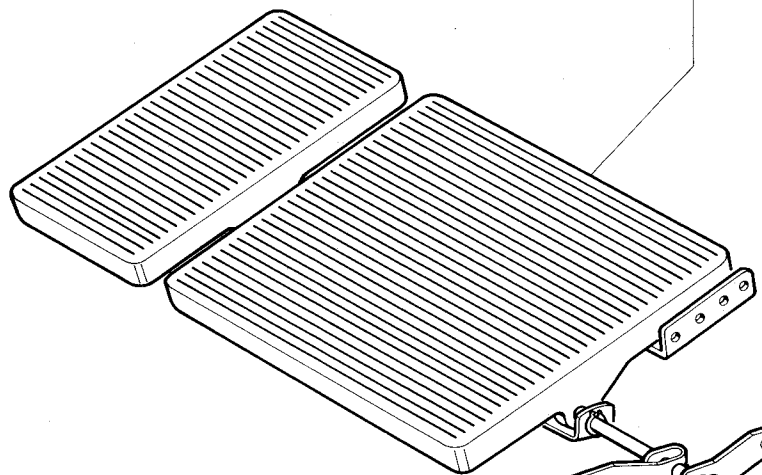
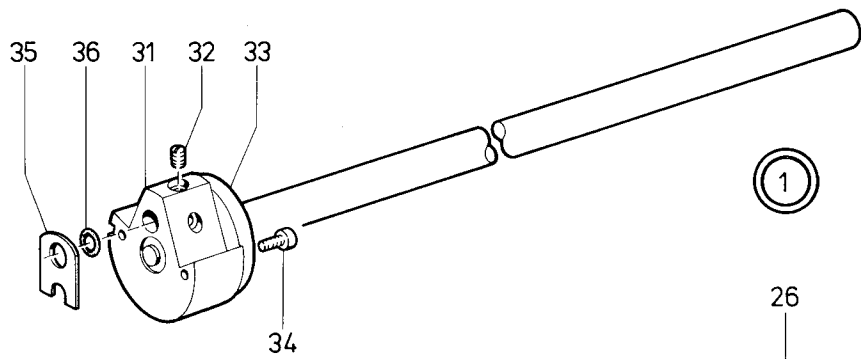


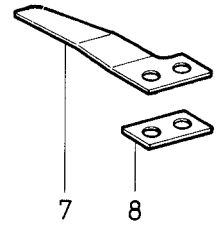
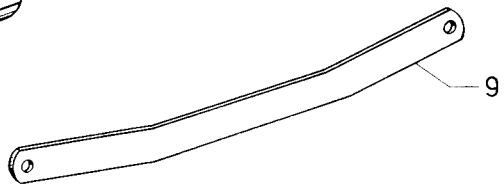
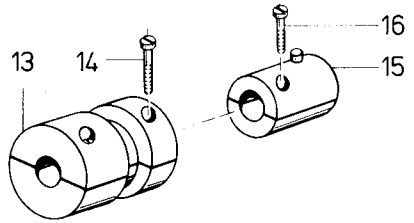
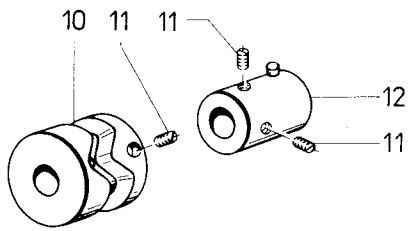
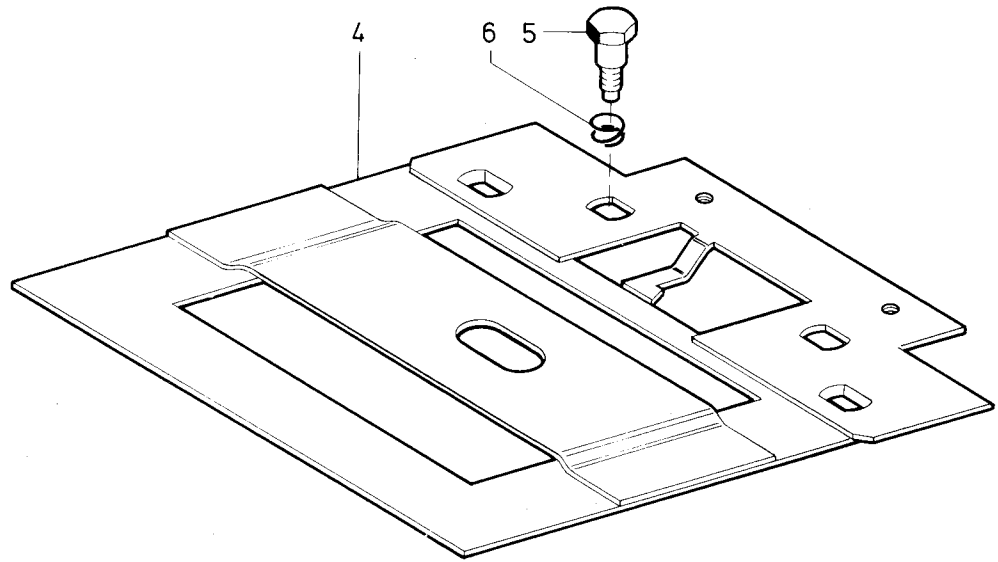
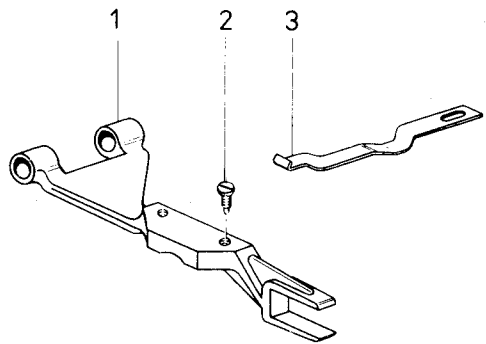


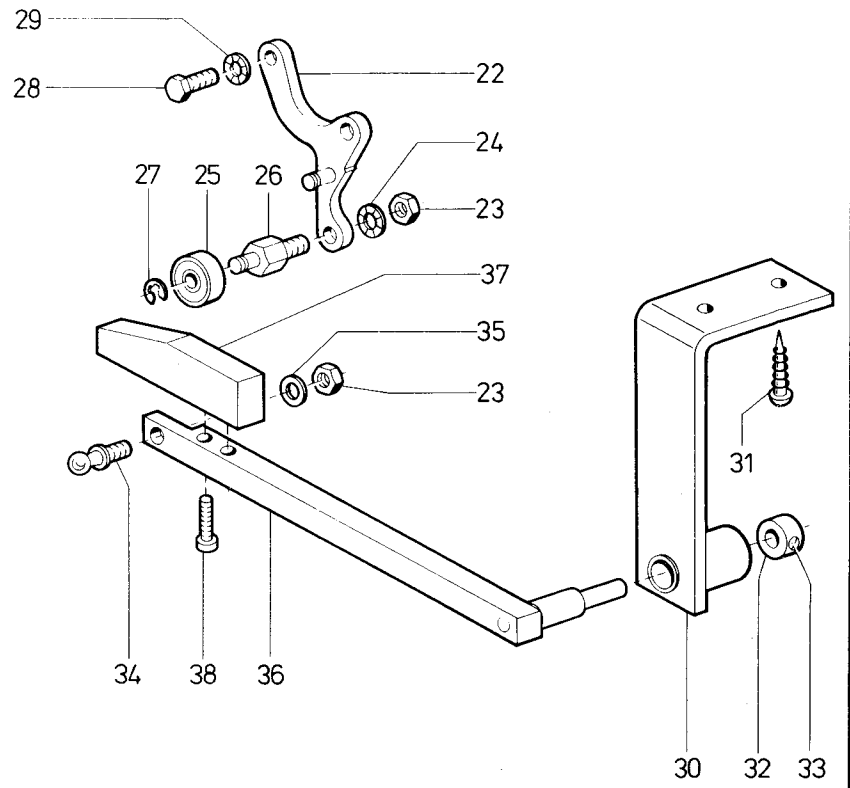
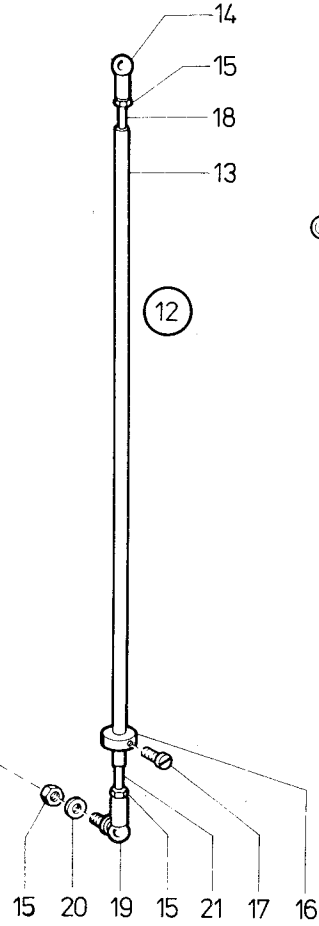
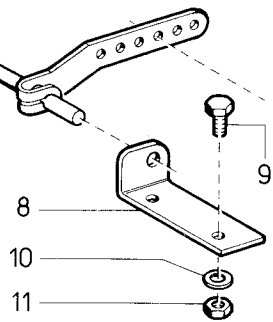
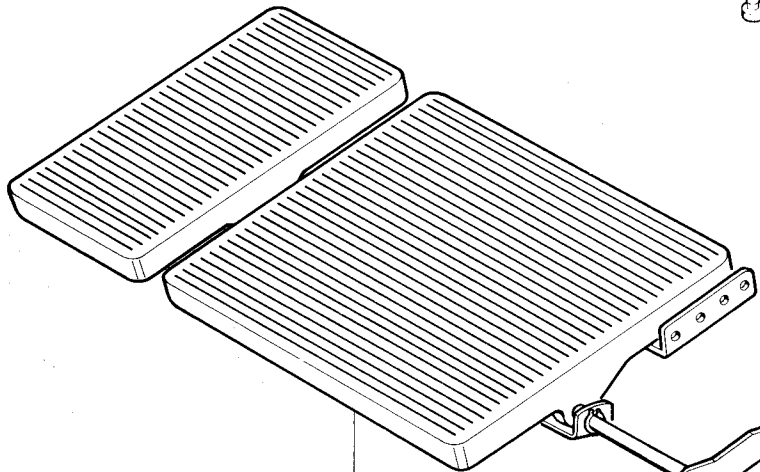
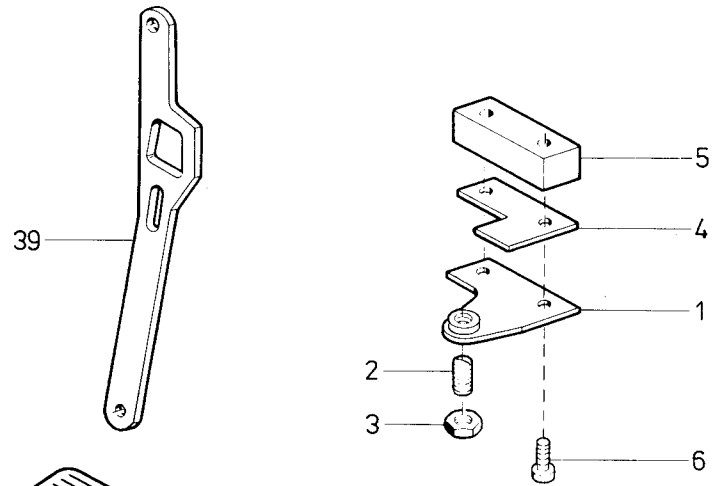


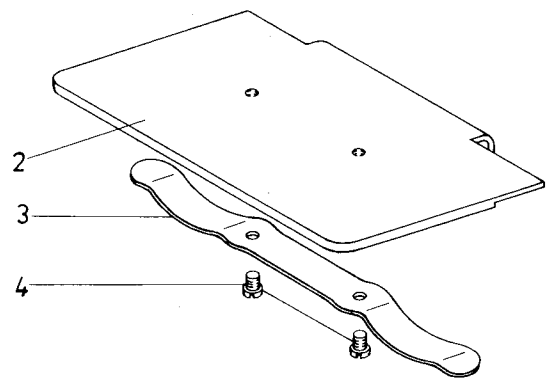
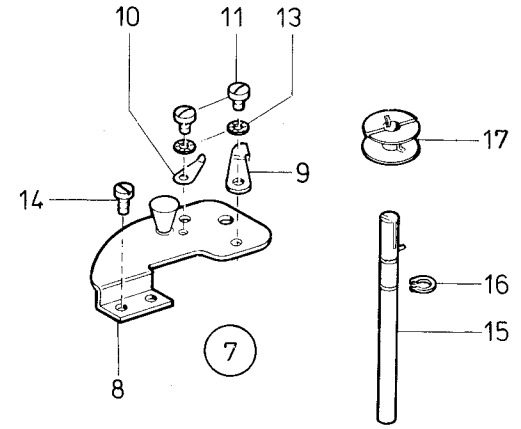
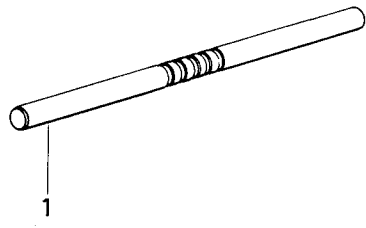
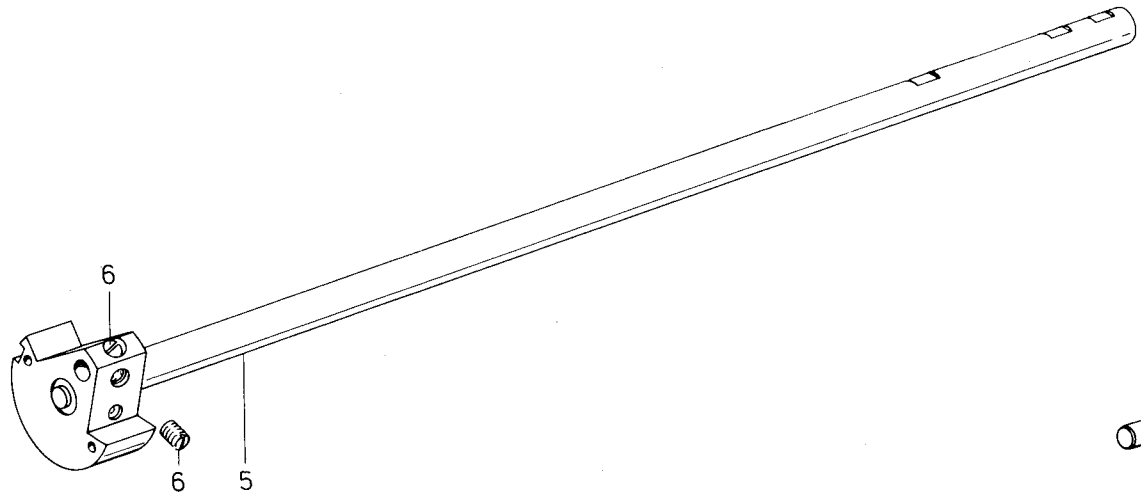
| Pos. Det. | Teile Nr. Part No. | Benennung | Denomination | Pos. Det. | Teile Nr. Part No. | Benennung | Denomination | Pos. Det. | Teile Nr. Part No. | Benennung | Denomination |
|--------------|-----------------------|---|---|--------------|-----------------------|---|--|--------------|-----------------------|-----------|--------------|
| | | Besondere Teile der DÜRKOPP 211-255, -15255, -115255 | Special parts for DÜRKOPP 211-255, -15255, -115255 | 31 | 2117063 | Verbindungsstange kpl. (best. aus Pos. 32 bis 39) | Connecting rod cpl. (consist. of pos. 32 up to 39) | | | | |
| 1 | 2192015k | Betätigung kpl. (mit Pos. 2) | Control cpl. (with pos. 2) | 32 | 2192142 | Verbindungsstange * | Connecting rod * | | | | |
| 2 | 902602 | Zyl.-Schraube | Cyl. head screw | 33 | 2117065 | Verbindungsstange | Connecting rod | | | | |
| 3 | 2117006 | Platte | Plate | 34 | 2132038 | Abstandshülse | Distance sleeve | | | | |
| 4 | 2192077 | Arretierstift | Arrester pin | 35 | 902300 | Zyl.-Schraube | Cyl. head screw | | | | |
| 5 | 2192078 | Druckfeder | Pressure spring | 36 | 21688 | Zyl.-Schraube | Cyl. head screw | | | | |
| 6 | 2192081 | Exzenterachse | Eccentric axle | 37 | 5691895 | Scheibe | Washer | | | | |
| 7 | 2117016 | Exzenterachse | Eccentric axle | 38 | 202704 | 6kt.-Mutter | Hexagonal nut | | | | |
| 8 | 2117021 | Stellscheibe kpl. (best. aus Pos. 9, 10, 11) | Knurled adjusting disk cpl. (cons. of pos. 9, 10, 11) | 39 | 558951 | Zugfeder | Draw spring | | | | |
| 9 | 2192086 | Stellscheibe | Knurled adjusting disk | 40 | 2117073 | Verbindungsstück | Connecting piece | | | | |
| 10 | 2117023 | Skalascheibe | Scale plate | 41 | 246360 | Zyl.-Schraube | Cyl. head screw | | | | |
| 11 | 420246 | Spannhülse | Clamping sleeve | 42 | 2117077 | Druckstange | Presser bar | | | | |
| 12 | 2192085 | Stellscheibe kpl. (best. aus Pos. 9, 11, 13) | Knurled adjusting disk cpl. (cons. of pos. 9, 11, 13) | 43 | 10019140 | Ansatzschraube | Shoulder screw | | | | |
| 13 | 2192087 | Skalascheibe | Scale plate | 44 | 2117081 | Druckstück | Pressure piece | | | | |
| 14 | 211609 | Zahnscheibe | Tooth lock washer | 45 | 570620 | Stift | Pin | | | | |
| 15 | 22392 | Zyl.-Schraube | Cyl. head screw | 46 | 70220 | Gewindestift | Threaded stud | | | | |
| 16 | 2192098 | Leiste | Reglet | 47 | 5561168 | Ring | Ring | | | | |
| 17 | 902670 | Zyl.-Schraube | Cyl. head screw | 48 | 421222 | Gewindestift | Threaded stud | | | | |
| 18 | 2192106 | Drehfeder | Torsion spring | 49 | 2117141 | Kloben kpl. (mit Pos. 50) | Block cpl. (with pos. 50) | | | | |
| 19 | 216547 | Linsenschraube | Fillister head screw | 50 | 10019141 | Ansatzschraube | Shoulder screw | | | | |
| 20 | 2117041 | Aufnahme | Seat | 51 | 2192136 | Bolzen | Bolt | | | | |
| 21 | 2192112 | Bolzen | Bolt | 52 | 211567 | Spannhülse | Clamping sleeve | | | | |
| 22 | 2192114 | Übertragungshebel, links | Transfer lever, left hand | 53 | 2117156k | Kloben kpl. (mit Pos. 54) | Block cpl. (with pos. 54) | | | | |
| 23 | 2192118 | Übertragungshebel, rechts | Transfer lever, right hand | 54 | 650347 | Zyl.-Schraube | Cyl. head screw | | | | |
| 24 | 21642 | Gewindestift | Threaded stud | 55 | 93002119 | Sicher.-Scheibe | Lock washer | | | | |
| 25 | 2192121 | Stift | Pin | 56 | 219353 | Linsenschraube | Fillister head screw | | | | |
| 26 | 5411395 | Gewindestift | Threaded stud | 57 | 211373 | Zyl.-Schraube | Cyl. head screw | | | | |
| 27 | 211100a | Sicher.-Scheibe | Lock washer | 58 | 237202 | 6kt.-Mutter | Hexagonal nut | | | | |
| 28 | 2192129 | Deckblech | Cover plate | 59 | 558598 | Scheibe | Washer | | | | |
| 29 | 902351 | Zyl.-Schraube | Cyl. head screw | 60 | 216123 | Zyl.-Schraube | Cyl. head screw | | | | |
| 30 | 2192131 | Verbindungsstange | Connecting rod | | | | | | | | |
| | | | | | | * nicht für 211-115255 | * not for 211-115255 | | | | |











| Best.-Nr. | Tafel | Best.-Nr. | Tafel | Best.-Nr. | Tafel |
|-----------|----------------------|-----------|--------------------|-----------|---------|
| APP00005 | 16 | 21100038 | 3 | 21100258 | 1 |
| APP00007 | 16 | 21100043 | 3 | 21100259 | 1 |
| APP00053 | 6 | 21100045 | 3 | 21100299 | 1 |
| APP00056 | 6 | 21100060 | 3 | 21100300 | 1 |
| APP00301 | 6 | 21100062 | 3,22 | 21100302 | 1 |
| MG040006 | 2 | 21100063 | 22 | 21100305a | 1,10, |
| MG080007d | 6 | 21100063a | 3 | 21100305b | 1,10 |
| MG432551 | 25 | 21100069 | 1,3,9,22 | 21100305k | 4 |
| MG430036 | 18,23,25 | 21100075 | 3,12,15,19 | 21100306a | 1 |
| MG430063k | 7,20 | 21100077 | 3 | 21100306b | 1,10 |
| MG430408 | 2,7,13,14,20,23,25 | 21100085 | 3 | 21100309 | 1,10 |
| MG430409 | 20,23,25 | 21100086 | 3 | 21100317 | 1 |
| MG432510 | 23,25 | 21100088 | 3,15,22 | 21100327 | 1 |
| MG432551 | 7,20 | 21100089 | 3 | 21100331 | 1,2,23 |
| MG432576 | 23 | 21100090 | 3 | 21100332 | 1,23 |
| NB001041 | 7 | 21100092 | 3 | 21100336 | 1 |
| P1210150 | 7,20 | 21100095 | 3,22 | 21100336k | 1 |
| Z1110162 | 19 | 21100097 | 3 | 21100339 | 2 |
| Z1122235 | 19 | 21100100 | 3 | 21100344 | 1 |
| Z1122236 | 19 | 21100100a | 2,3,5,13,15,17,18, | | |
| Z1122238 | 19 | | 21,23 | 21100351a | 1 |
| Z1150038 | 18 | 21100103k | 1 | 21100354 | 1 |
| Z1150077 | 18 | 21100104 | 1 | 21100358 | 1 |
| Z1150216 | 5 | 21100106 | 1 | 21100361 | 1 |
| Z1160049 | 17 | 21100108 | 1 | 21100362 | 1 |
| Z1160703a | 17 | 21100109 | 1 | 21100365 | 1 |
| 00400079 | 5,13,14 | 21100117 | 1,22 | 21100371 | 1 |
| 00800191 | 16 | 21100121 | 1 | 21100373 | 6,21,22 |
| 01400140 | 3,10,26, | 21100133 | 1,22 | 21100376 | 2 |
| 02100154 | 16 | 21100141a | 1 | 21100381 | 2 |
| 02400080a | 2 | 21100147 | 3 | 21100384 | 2 |
| 02400275 | 8,10,13,14,15,16,22, | 21100156 | 3 | 21100387 | 1,2,10 |
| 04000294 | 6 | 21100159 | 3 | 21100390k | 2 |
| 05200369 | 6 | 21100162 | 3,10,22 | 21100391a | 2 |
| 05500147 | 11 | 21100163 | 3 | 21100393 | 5 |
| 11400201 | 11 | 21100196k | 4 | 21100394 | 2 |
| 14700203 | 16 | 21100197 | 4 | 21100395 | 2 |
| 20200704 | 3,13,14,21 | 21100198 | 4,11 | 21100397 | 2 |
| 20200708 | 4,13,14 | 21100201 | 4 | 21100398 | 2 |
| 20400042 | 2,12,18 | 21100207 | 4 | 21100399 | 2 |
| 20400230a | 15,19 | 21100208 | 2,4,16 | 21100401 | 2 |
| 21000042 | 1 | 21100209 | 4 | 21100407 | 2,23 |
| 21002131 | 21 | 21100210 | 4 | 21100408 | 2,16 |
| 2100668a | 1 | 21100212 | 4 | 21100411a | 2 |
| 21100003 | 1 | 21100217 | 4 | 21100414 | 2 |
| 21100007 | 1 | 21100219 | 4 | 21100420 | 2 |
| 21100010 | 4 | 21100224 | 1,22 | 21100422 | 2 |
| 21100014 | 4 | 21100232a | 2 | 21100427 | 2 |
| 21100016 | 7 | 21100234 | 2 | 21100432a | 2 |
| 21100018 | 4 | 21100237 | 2 | 21100437 | 2 |
| 21100022 | 4 | 21100242 | 2 | 21100439 | 2 |
| 21100023 | 4 | 21100245 | 4 | 21100440 | 2 |
| 21100024 | 4 | 21100248 | 6 | 21100450 | 2 |
| 21100025 | 4 | 21100249 | 6 | 21100452 | 5 |
| 21100027 | 4 | 21100253 | 3 | 21100455 | 13,14 |
| 21100029 | 1 | 21100256 | 3,10,26 | 21100458 | 2 |
| 21100031 | 4,7,20 | 21100257 | 1 | 21100459 | 2 |
| | | | | 21100462 | 2 |

| Best.-Nr. | Tafel | Best.-Nr. | Tafel | Best.-Nr. | Tafel |
|-----------|----------------|-----------|-------|-----------|-------------|
| 21100464 | 2,10 | 21101101 | 4 | 21108075 | 10 |
| 21100469 | 5 | 21101102 | 4 | 21108076 | 10 |
| 21100470 | 5 | 21101105 | 4 | 21108078 | 10 |
| 21100471 | 5 | 21101106 | 4 | 21108197 | 9 |
| 21100473 | 5 | 21101107 | 4 | 21108225 | 9 |
| 21100476 | 5 | 21101108 | 4 | 21108235 | 9 |
| 21100482 | 5,13,14 | 21101109 | 4 | 21108281 | 4 |
| 21100484 | 2 | 21101111 | 4 | 21108281k | 4 |
| 21100491 | 2 | 21101113 | 15 | 21108283 | 4 |
| 21100494 | 5 | 21101115 | 4 | 21108285 | 4 |
| 21100496 | 5,16 | 21101117 | 4 | 21108287 | 4 |
| 21100498 | 1 | 21101123 | 4 | 21108301 | 4 |
| 21100499 | 1 | 21101127 | 4 | 21108311k | 10 |
| 21100514 | 5 | 21101129 | 4 | 21108319 | 10 |
| 21100518 | 5,26 | 21101141 | 5 | 21108325 | 10 |
| 21100520 | 5 | 21101142 | 5 | 21108328 | 10 |
| 21100531 | 1,9 | 21101152 | 5 | 21108330 | 10 |
| 21100531a | 4 | 21101227 | 26 | 21108366 | 10 |
| 21100551 | 2 | 21101244 | 26 | 21108438 | 10 |
| 21100553 | 3 | 21101248 | 26 | 21108501 | 9 |
| 21100559 | 3 | 21101261 | 26 | 21109000 | 1 |
| 21100564 | 3 | 21103093 | 8 | 21109647 | 13 |
| 21100567 | 21 | 21103150 | 13,14 | 21109649 | 13 |
| 21100568 | 3 | 21103211k | 8 | 21109650 | 13 |
| 21100570 | 3 | 21103227 | 8 | 21109732 | 20 |
| 21100571 | 3 | 21103501 | 8 | 21109830 | 2,12 |
| 21100572 | 3 | 21103502 | 8 | 21110624 | 12,15,19,24 |
| 21100572a | 3,15 | 21105549 | 15 | 21110708 | 1 |
| 21100573 | 3 | 21105641 | 16 | 21110801 | 23,25, |
| 21100582 | 13 | 21105649 | 16 | 21110804 | 23,25 |
| 21100591 | 7 | 21105943 | 16 | 21111289 | 15 |
| 21100591 | 20 | 21107006 | 21 | 21111382 | 16 |
| 21100593 | 7,20 | 21107016 | 21 | 21115063a | 14 |
| 21100597 | 7,20 | 21107021 | 21 | 21150202 | 13,14,15 |
| 21100600 | 7,20 | 21107023 | 21 | 21150211 | 13,14 |
| 21100604 | 7 | 21107041 | 21 | 21150212 | 13,14 |
| 21100609 | 7,20,21,23,25 | 21107063 | 21 | 21150213 | 13,14 |
| 21100613 | 7,20, | 21107065 | 21 | 21150214 | 5,13,14 |
| 21100616 | 20,23,25 | 21107073 | 21 | 21150215 | 13,14 |
| 21100634 | 4 | 21107077 | 21 | 21150216 | 13,14 |
| 21100635 | 4 | 21107081 | 21 | 21150217 | 13,14 |
| 21100641 | 16 | 21107106 | 22 | 21150221 | 13,14 |
| 21100644 | 4 | 21107111 | 22 | 21150222a | 13,14 |
| 21100646a | 4 | 21107121 | 22 | 21150223 | 13,14 |
| 21100648 | 4 | 21107135 | 22 | 21150228 | 13 |
| 21100674 | 6 | 21107139 | 22 | 21150228k | 13,14 |
| 21100675 | 6 | 21107141 | 21 | 21150231 | 13,14 |
| 21100694 | 26 | 21107147 | 22 | 21150236 | 13,14 |
| 21100700 | 26 | 21107149 | 22 | 21150237 | 13,14 |
| 21100765 | 12,15,18,23,26 | 21107152 | 22 | 21150241 | 13,14 |
| 21100801 | 4 | 21107156k | 21 | 21150251 | 13 |
| 21100806 | 2,4 | 21107159 | 22 | 21150256 | 13 |
| 21100807 | 4 | 21107181 | 23 | 21150258 | 13 |
| 21100808 | 4 | 21108046 | 10 | 21150262 | 13 |
| 21100811 | 4 | 21108056k | 10 | 21150264 | 13 |
| 21100940 | 6 | 21108063a | 9 | 21150283 | 13 |
| 21100987 | 4 | 21108070 | 10 | 21150291 | 13 |

| Best.-Nr. | Tafel | Best.-Nr. | Tafel | Best.-Nr. | Tafel |
|-----------|-------------|-----------|-------------|-----------|---------------|
| 21150294 | 13 | 21200016 | 10 | 21205044 | 10 |
| 21150301 | 13 | 21200151 | 2 | 21205046 | 10 |
| 21150302 | 13 | 21200179 | 10 | 21205056 | 10 |
| 21150303 | 13 | 21200232 | 16 | 21205407 | 10 |
| 21150312 | 13,14,17 | 21200295 | 10 | 21300350 | 22 |
| 21150331 | 12,19,24 | 21200297 | 10 | 21300366 | 22 |
| 21150341 | 12,19,24 | 21200517 | 10 | 21300368 | 22 |
| 21150352a | 13,14 | 21200549 | 15 | 21300370 | 3,22 |
| 21150353a | 13,14 | 21200627 | 1,3,9,16,22 | 21300374 | 22 |
| 21150354a | 13,14 | 21204743 | 9 | 21300377k | 22 |
| 21150362a | 13,14 | 21204744 | 9 | 21300391 | 22 |
| 21150363 | 13,14 | 21204745 | 9 | 21300517 | 10,22 |
| 21150363a | 13 | 21204767 | 9 | 21300731 | 6 |
| 21150364a | 13,14 | 21204779 | 10 | 21300754 | 6 |
| 21150365 | 13,14 | 21204784 | 9 | 21302003 | 22 |
| 21150366 | 13,14 | 21204785k | 9 | 21302007 | 22 |
| 21150373 | 13,14 | 21204786 | 9 | 21302010 | 22 |
| 21150375 | 13,14 | 21204788 | 9 | 21302019 | 22 |
| 21150381 | 13,14 | 21204792 | 9 | 21302027 | 22 |
| 21150391 | 13 | 21204799 | 9 | 21302038 | 13,14,21 |
| 21150396 | 13,14,24 | 21204802 | 9 | 21302058 | 15 |
| 21150397 | 13,14,24 | 21204803 | 9 | 21302521 | 22 |
| 21150399 | 12,15,19,24 | 21204805 | 9 | 21500726 | 11 |
| 21150401 | 12,24 | 21204807 | 9 | 21600028 | 10,25 |
| 21150403 | 12,15,19,24 | 21204811 | 9 | 21600042 | 1,9,21 |
| 21150408 | 24 | 21204814 | 9 | 21600052 | 1,4 |
| 21150410 | 24 | 21204816 | 9 | 21600068a | 1 |
| 21150410b | 24 | 21204823 | 9 | 21600070 | 4 |
| 21150413 | 13,14,15,19 | 21204824 | 9 | 21600088 | 2,13,14,16,21 |
| 21150431 | 19,20 | 21204826 | 9 | 21600098 | 9,13,15,17 |
| 21150712 | 14 | 21204828 | 9 | 21600117 | 4 |
| 21150729 | 14 | 21204839k | 9 | 21600120 | 5,9,13,14,16 |
| 21151111 | 15 | 21204841 | 9 | 21600123 | 3,9,11,13,21 |
| 21151118 | 15 | 21204843 | 9 | 21600131 | 3,10,22 |
| 21151119 | 15 | 21204844 | 9 | 21600134 | 3,10 |
| 21154011 | 18 | 21204851 | 9 | 21600224 | 5,8 |
| 21154023 | 3 | 21204855 | 9 | 21600229 | 1,10 |
| 21154025 | 18 | 21204860 | 9 | 21600301 | 1 |
| 21154032 | 17 | 21204864 | 9 | 21600354 | 13,14 |
| 21154075 | 17 | 21204868 | 9 | 21600406 | 2,11 |
| 21154211 | 20 | 21204870 | 9 | 21600425 | 16 |
| 21154213 | 20 | 21204876 | 9 | 21600471 | 8 |
| 21154215 | 20 | 21204878 | 9 | 21600497 | 16 |
| 21154221 | 19 | 21204881 | 9 | 21600508 | 26 |
| 21154223 | 19 | 21204882 | 9 | 21600542 | 6 |
| 21154225a | 19 | 21204883 | 9 | 21600547 | 16 |
| 21154228 | 19 | 21204884 | 9 | 21600547 | 21 |
| 21154233 | 19 | 21204885 | 9 | 21600589 | 22 |
| 21154241 | 19,25 | 21204886 | 9 | 21600591 | 5 |
| 21154245 | 19,25 | 21204889 | 9 | 21600601 | 14 |
| 21154246 | 19,25 | 21204894 | 9 | 21600603k | 5 |
| 21154247 | 19,25 | 21204895 | 9 | 21600609 | 5 |
| 21154248 | 19,25 | 21204904 | 9 | 21601146 | 4 |
| 21154671 | 3 | 21204908 | 9 | 21601165 | 7 |
| 21156951 | 25 | 21204909 | 9 | 21601218 | 8 |
| 21180391 | 14 | 21204924 | 9 | 21900185 | 2 |
| 21197117 | 22 | 21205041 | 10 | 21900193 | 2 |

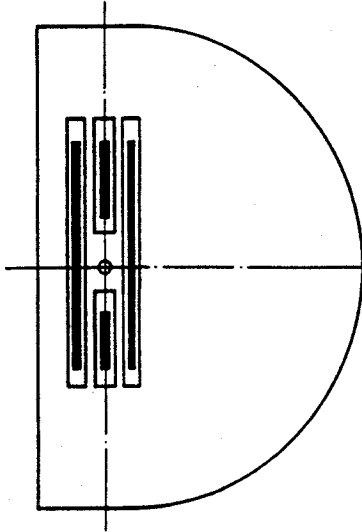
| Best.-Nr. | Tafel | Best.-Nr. | Tafel | Best.-Nr. | Tafel |
|-----------|-------------------------------------|-----------|----------------------|-----------|-------------|
| 21900321 | 3,4 | 22300652 | 1 | 24600761 | 13 |
| 21900353 | 15,21 | 22300652 | 16,22 | 24601035 | 2 |
| 21900836 | 2 | 22300669 | 3,4,13,14,16,22 | 25202389 | 22 |
| 21900840 | 17 | 22300676 | 1,4,9,10,13,14,22,23 | 25500129 | 16,17 |
| 21900921 | 23,25 | 22300681 | 10 | 26300761 | 6 |
| 21900922 | 23,25 | 22300700 | 1,2,9,,11 | 26400762 | 10 |
| 21900926 | 23,25 | 22300734 | 13,14 | 26500106 | 9 |
| 21900937 | 23 | 22300749 | 4 | 26500289 | 2,13,14 |
| 21900941 | 23 | 22300937 | 10 | 26500379 | 2 |
| 21900942 | 23 | 22301296 | 13,14,17 | 26500407 | 5,26 |
| 21900946 | 23 | 22305047 | 3,5,10,13,14,22 | 26500560 | 10 |
| 21900947 | 23 | 22401219 | 16 | 26500561k | 22 |
| 21900948 | 23 | 22700596 | 9 | 26500565 | 10,22 |
| 21902015k | 21 | 22700700 | 11 | 26500574 | 3 |
| 21902077 | 21 | 22700895 | 11 | 26500601 | 3 |
| 21902078 | 21 | 22700901 | 11 | 26500606 | 22 |
| 21902081 | 21 | 22700902 | 11 | 26500615 | 3 |
| 21902085 | 21 | 23700202 | 3,8,16,17,21 | 26500625 | 12,15,19,24 |
| 21902086 | 21 | 23810431 | 19 | 26500704 | 2 |
| 21902087 | 21 | 24000580 | 9 | 26500753 | 4 |
| 21902098 | 21 | 24100720 | 16 | 26501734 | 15 |
| 21902106 | 21 | 24400337 | 13,14 | 26502032 | 13 |
| 21902112 | 21 | 24400381 | 5 | 26508533 | 22 |
| 21902114 | 21 | 24400388 | 5 | 26508716a | 13 |
| 21902118 | 21 | 24400396 | 5 | 26513743 | 17 |
| 21902121 | 21 | 24400398 | 5 | 26700218 | 4 |
| 21902129 | 21 | 24400399 | 5 | 26700246 | 9 |
| 21902131 | 21 | 24400400 | 5 | 26700482 | 9 |
| 21902136 | 21 | 24400401 | 5 | 27000263 | 9 |
| 21902142 | 21 | 24400403 | 5 | 27000631 | 17 |
| 21902197 | 23,25 | 24400404 | 5 | 29100159 | 2 |
| 21908205 | 14 | 24400413 | 5 | 30100666 | 7 |
| 21908206 | 14 | 24400414 | 5 | 38000289 | 17,22 |
| 21908209 | 14 | 24400415 | 5 | 38000793 | 16 |
| 21954259 | 25 | 24400416 | 5 | 42000036 | 9 |
| 21954266 | 25 | 24401066 | 6 | 42000084 | 9,13 |
| 21956802 | 25 | 24401067 | 6 | 42000246 | 21 |
| 21956825 | 25 | 24401068 | 6 | 42000320 | 18 |
| 21956828 | 25 | 24414178 | 13,14,17 | 42000362 | 9 |
| 21956843 | 25 | 24414271 | 13,14 | 42100222 | 21 |
| 21996708a | 13 | 24414275 | 13,14,17 | 42200277 | 4,9 |
| 22300092 | 4,21,22 | 24414517 | 15,19,24 | 53100460 | 4 |
| 22300237 | 4,16 | 24414521 | 18 | 53100464 | 2,4,25 |
| 22300238 | 4 | 24414547 | 17 | 53100466k | 25 |
| 22300245 | 2,3 | 24414578 | 17 | 53100471 | 1,2,3,16 |
| 22300392 | 3 | 24414602 | 17 | 54101395 | 21 |
| 22300448 | 2 | 24414605 | 17 | 55101246 | 13 |
| 22300450k | 6 | 24414607 | 17 | 55101824 | 9 |
| 22300452k | 6 | 24414611 | 17 | 55600004a | 17 |
| 22300454 | 6 | 24414619 | 17 | 55600362 | 3 |
| 22300459k | 6 | 24414641 | 18 | 55600607 | 7,20,23,25 |
| 22300473 | 6 | 24414711 | 17 | 55601168 | 21 |
| 22300506 | 6 | 24414726 | 17 | 55601412 | 8 |
| 22300597 | 6 | 24414731 | 17 | 55601570 | 16 |
| 22300646 | 2,9 | 24414737 | 17 | 55601676a | 17 |
| 22300648 | 1,4,5,9,10,12,15,18, 19,23,24,26 | 24600130 | 22 | 55601686 | 13 |
| | | 24600360 | 21 | 55601686 | 14 |

| Best.-Nr. | Tafel | Best.-Nr. | Tafel | Best.-Nr. | Tafel |
|-----------|-----------------------------|-----------|-----------|-----------|-------|
| 55602267 | 23 | 74202096 | 18 | 93305568 | 16 |
| 55602267 | 25 | 74205099b | 18 | 93305574 | 16 |
| 55603082 | 4 | 74401115 | 4,8 | 93305576 | 16 |
| 55603086 | 4,8 | 74401509 | 3 | 93305596 | 16 |
| 55603087 | 4,8 | 74401802 | 18 | 93305603 | 16 |
| 55603088 | 4,8 | 74401802a | 18 | 93305609 | 16 |
| 55700111 | 17,25 | 74401802b | 18 | 93305611k | 16 |
| 55700263 | 9,13,14,23,25 | 74401804 | 18 | 93305614 | 16 |
| 55700407 | 26 | 74401804a | 18 | 93305621 | 16 |
| 55701532 | 12,19,24 | 74401804b | 18 | 93305622 | 16 |
| 55704027 | 25 | 74401968 | 16 | 93305623 | 16 |
| 55800060a | 2 | 74401978 | 13,19 | 93305625 | 16 |
| 55800598 | 21 | 74403142 | 15 | 93305626 | 16 |
| 55800951 | 21 | 74409056 | 6 | 93305629 | 16 |
| 55801517 | 8 | 74409513 | 18 | 93305634 | 16 |
| 56001941 | 17 | 74461380 | 19 | 93305636 | 16 |
| 56001941 | 25 | 74600768 | 17,18 | 93305638 | 16 |
| 56500097 | 11 | 74601547 | 17 | 93305644 | 16 |
| 56500202 | 7,20 | 74800125 | 9 | 93305646 | 16 |
| 56601294 | 11 | 79700319 | 17 | 93305652 | 16 |
| 56901895 | 2,4,9,10,11,13,14, 15,21 | 79702312 | 17 | 93305658 | 8,16 |
| 56904760 | 11 | 798140055 | 13,14,17, | 93305660 | 16 |
| 57000055 | 1,3,9,16,22 | 798140056 | 13,14,17 | 93305661k | 16 |
| 57000138 | 13,25 | 798240218 | 13,14,17 | 93305666 | 16 |
| 57000620 | 21 | 798352501 | 13 | 93305667k | 16 |
| 57000988 | 12,19,24 | 798440001 | 13,14,17 | 93305668a | 16 |
| 57001220 | 23,25, | 79852501 | 14 | 93305671 | 16 |
| 57001249 | 4 | 90200097 | 13,14 | 93305672 | 16 |
| 57001250 | 4 | 90200153 | 2,9 | 93305675 | 16 |
| 57001252 | 4 | 90200300 | 21 | 93305678 | 16 |
| 57001757 | 13,14 | 90200351 | 21 | 93305679 | 16 |
| 57010007 | 2 | 90200602 | 9,18,21 | 93305680 | 16 |
| 65000045 | 3 | 90200670 | 9,21 | 93305681 | 16 |
| 65000292 | 1,3,10 | 91100092 | 13 | 93305682 | 16 |
| 65000347 | 3,21 | 91100196 | 1 | 93305686 | 16 |
| 65000371 | 11 | 91100210 | 9 | 93305687 | 16 |
| 70000054 | 6 | 91100267 | 13,14 | 93305694 | 16 |
| 70000055 | 6 | 91100279 | 13,14 | 93305696 | 16 |
| 70200020 | 2,8,9,13,14,21 | 91100333 | 9,16 | 93305697 | 16 |
| 70200063 | 16 | 91100427 | 15,18 | 93305698 | 15 |
| 70200073 | 16 | 91100457 | 9 | 93305699 | 16 |
| 71001450 | 25 | 91100668 | 11 | 93305700 | 16 |
| 71300302 | 6,11 | 91100674 | 6 | 93305713 | 13,14 |
| 72000041 | 11 | 91100693k | 6 | 93305721 | 16 |
| 72000042a | 11,18,23,25, | 91199267 | 15 | 93305724 | 16 |
| 72000043 | 18,23,25 | 91200701 | 6 | 93305725 | 16 |
| 72000131 | 6 | 91200705 | 6 | 93305726 | 16 |
| 72100053 | 18 | 91200706 | 6 | 93308299 | 10 |
| 72100071 | 18 | 91300629 | 5 | 93311777 | 18 |
| 72200201 | 5 | 93002119 | 2,4,21 | 93913000a | 17 |
| 72300013 | 9 | 93100157 | 9 | 94204491 | 11 |
| 72300013 | 16 | 93101951 | 16 | 94204551 | 11 |
| 73900297 | 9 | 93300075 | 1 | 94204566 | 11 |
| 73900297 | 13,14,17 | 93300151 | 10 | 94204569 | 11 |
| 73900298 | 26 | 93305562 | 16 | 94204574 | 11 |
| 73900347 | 4,8,14 | 93305564 | 16 | 94204581 | 11 |
| | | 93305566 | 16 | 94204586 | 11 |

| Best.-Nr. | Tafel |
|-----------|---------------|
| 94204587 | 11 |
| 94204590 | 11 |
| 94204592 | 11 |
| 94401366 | 16 |
| 94500797 | 11 |
| 94500816 | 11 |
| 100100165 | 16 |
| 100101162 | 2 |
| 100101360 | 13,14,17 |
| 100103112 | 5 |
| 100109123 | 16 |
| 100109128 | 4 |
| 100109129 | 19,25 |
| 100109130 | 3,11,13,14,15 |
| 100109140 | 21,23 |
| 100109141 | 21 |
| 100109142 | 10 |
| 100109143 | 9 |
| 100109150 | 16 |
| 100101162 | 1 |
| 100103122 | 5 |
| 100109130 | 2 |
| 100109140 | 2 |
| 100500233 | 9 ,13,14 |

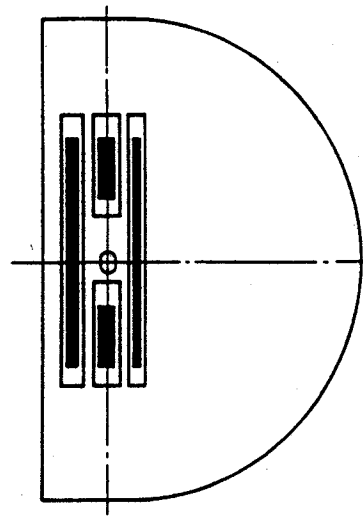


1.



E 166

2.



E167

