

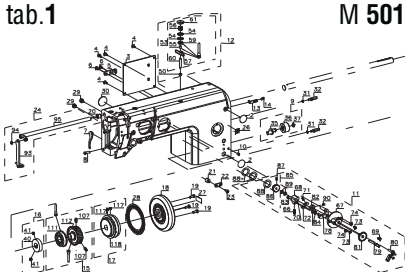
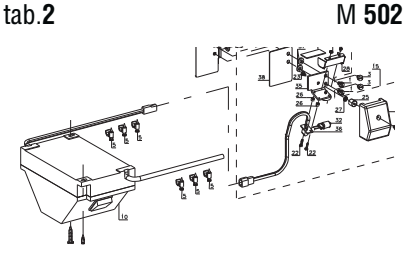
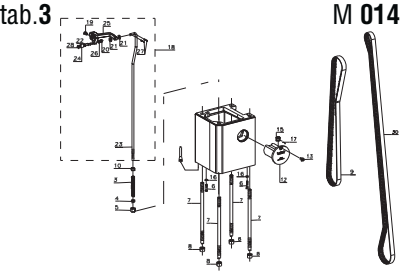
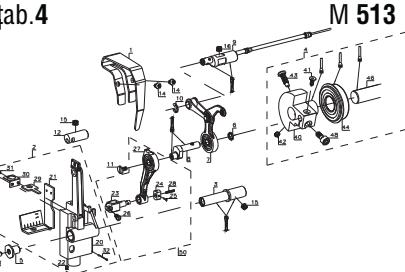
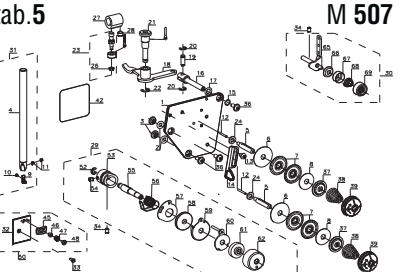
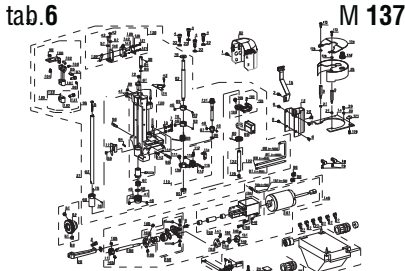
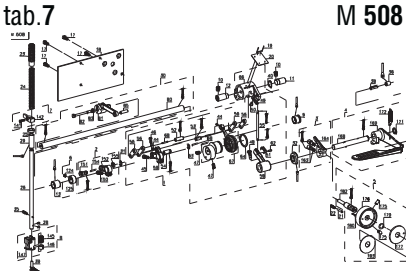
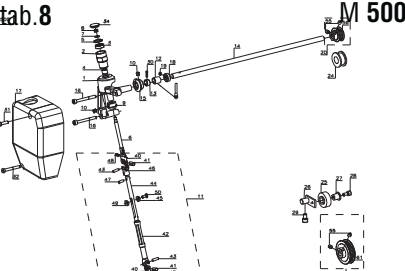
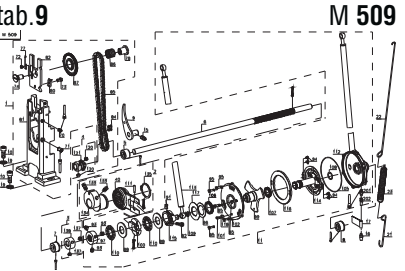
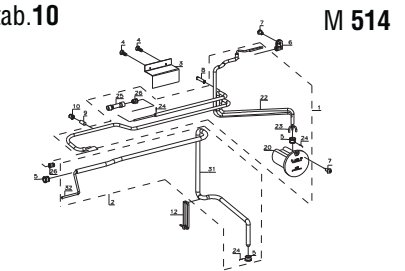
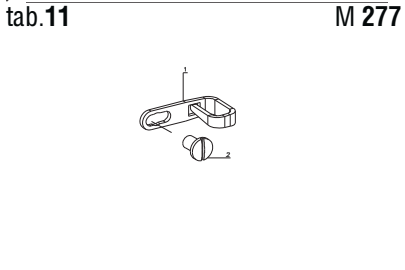
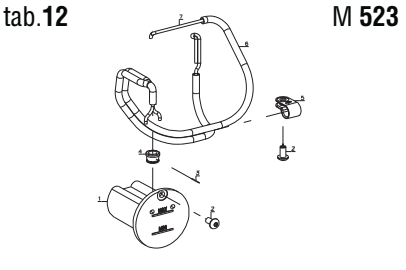
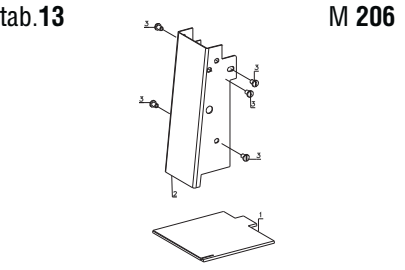
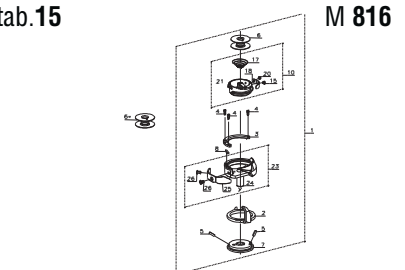
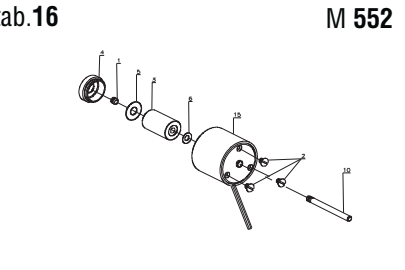
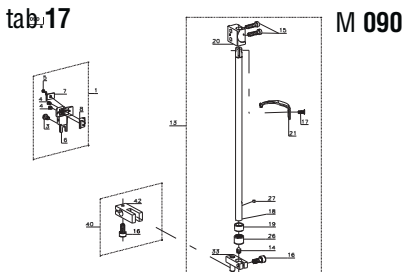
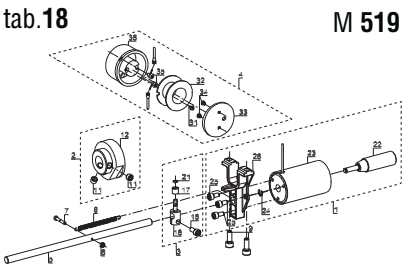
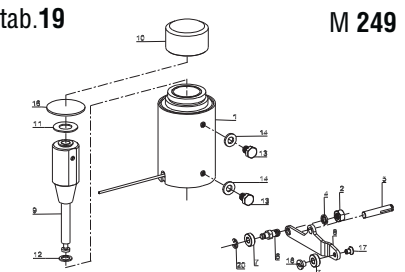
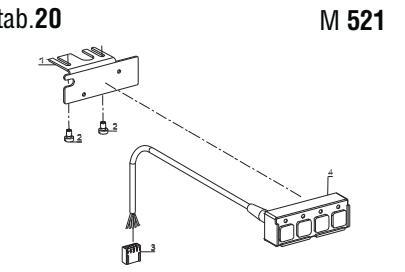
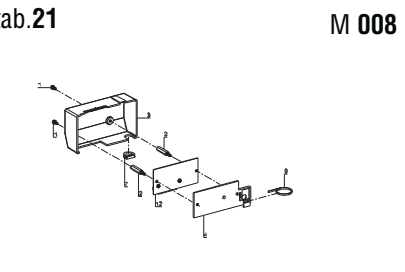
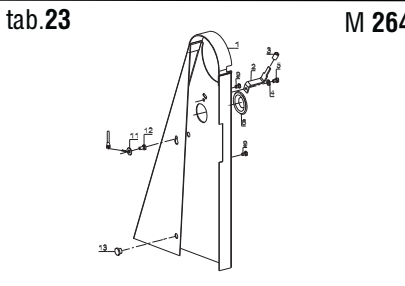
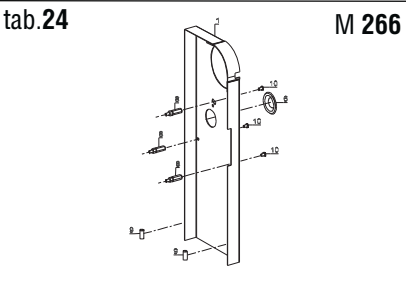
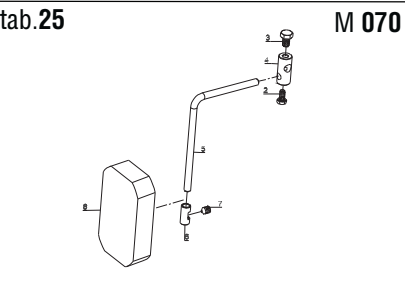
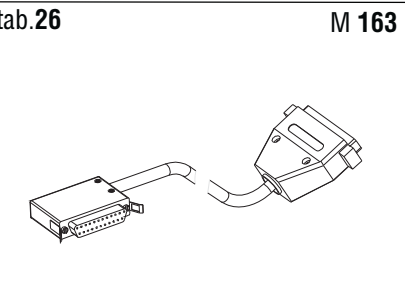
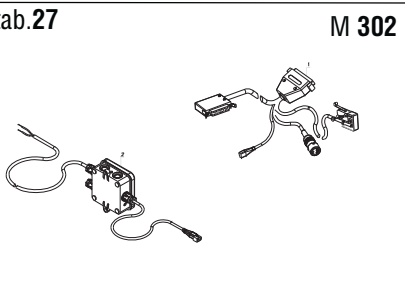



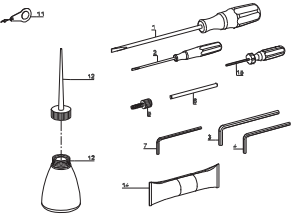
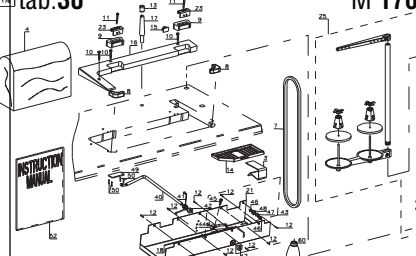
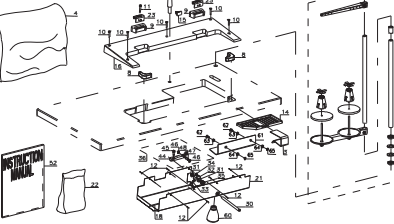
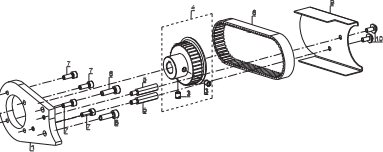
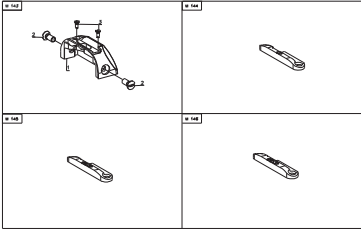
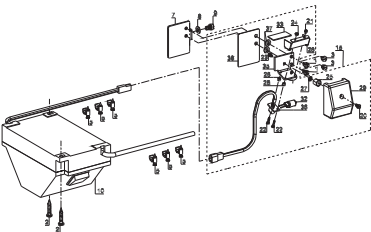
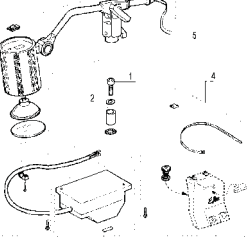
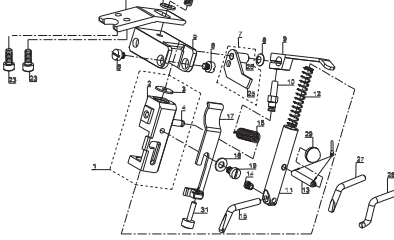
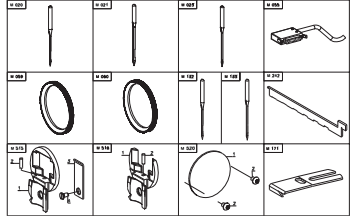
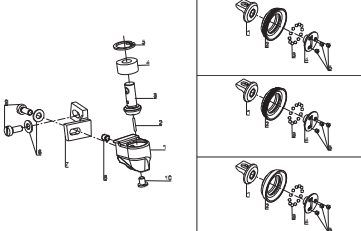
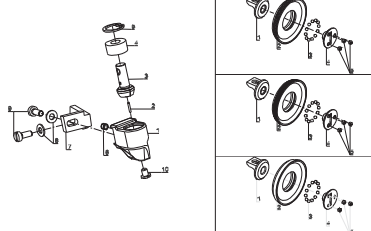
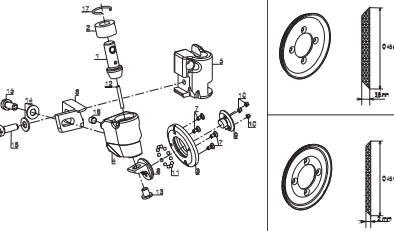
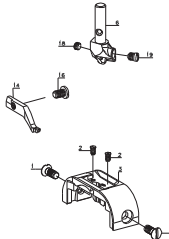
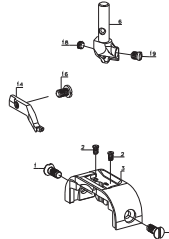
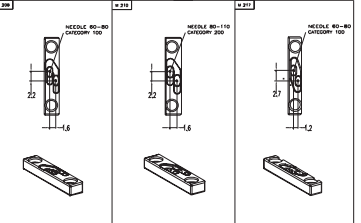
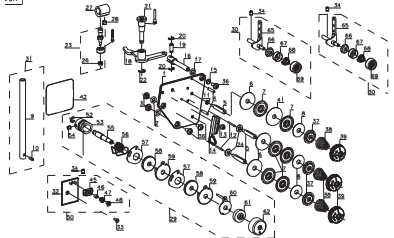
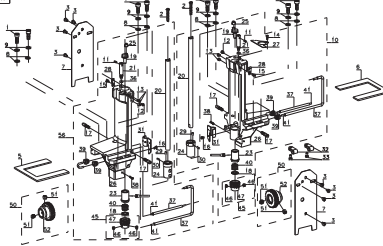
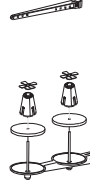
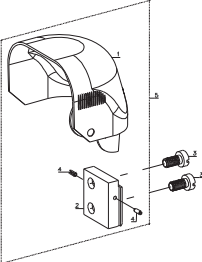
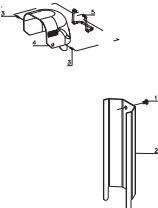
Spare parts list

4181i - 1

4281i - 2



<p>tab.1 M 501</p> 	<p>tab.2 M 502</p> 	<p>tab.3 M 014</p> 	<p>tab.4 M 513</p> 	<p>tab.5 M 507</p> 
<p>tab.6 M 137</p> 	<p>tab.7 M 508</p> 	<p>tab.8 M 500</p> 	<p>tab.9 M 509</p> 	<p>tab.10 M 514</p> 
<p>tab.11 M 277</p> 	<p>tab.12 M 523</p> 	<p>tab.13 M 206</p> 	<p>tab.15 M 816</p> 	<p>tab.16 M 552</p> 
<p>tab.17 M 090</p> 	<p>tab.18 M 519</p> 	<p>tab.19 M 249</p> 	<p>tab.20 M 521</p> 	<p>tab.21 M 008</p> 
<p>tab.23 M 264</p> 	<p>tab.24 M 266</p> 	<p>tab.25 M 070</p> 	<p>tab.26 M 163</p> 	<p>tab.27 M 302</p> 

<p>tab.28 M 325</p> 	<p>tab.29 M 015</p> 	<p>tab.30 M 176</p> 	<p>tab.31 M 252</p> 	<p>tab.32 M 300</p> 
<p>tab.34 M 143, M144, M145, M146</p> 	<p>tab.35 M 010</p> 	<p>tab.36 Z 012</p> 	<p>tab.37 M 018</p> 	<p>tab.38 M 020,023,021,055,059,060, 242, 132, 133, 515,516, 520, 171</p> 
<p>tab.39 M 156,172,174,310</p> 	<p>tab.40 M 157,173,175,311</p> 	<p>tab.41 M 295,296,297</p> 	<p>tab.42 M 207</p> 	<p>tab.43 M 208</p> 
<p>tab.44 M 209,210,217</p> 	<p>tab.45 M 517</p> 	<p>tab.46 M 065</p> 	<p>tab.47 M 016</p> 	<p>tab.48 M 092</p> 
<p>tab.49 M 142</p> 				

How to read the spare parts list :

- The list is grouped according to construction modules. A module is a group of parts fulfilling in the machine a concrete function. The abbreviated module designation is given in the left top corner both of the drawing and of the text. The complete module designation (as given in the delivery note) is related to the abbreviated designation as follows:

Abbreviated Complete
MXXX = S980 000XXX


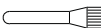
Items in the order are presented under complete code (ten-digit number)

- This catalogue is common for a number of machine models whose type designation agrees with the first five digits printed on the catalogue cover. The complete type designation of the machine is then used for identifying the modules (lists of parts) mounted on the machine in question.

The complete type designation has the following structure:

XXXX - XXX - XXX
Class Subclass Sewing category

The contents is divided into sections corresponding to this structure. A table situated at the head of each section gives information on which modules are applied to a particular machine model. The machine class and subclass are printed on the label situated on the machine bed plate and visible with tilted machine head. The sewing category is indicated on the tag supplied together with the machine.

- All items, the complete code (ten-digit number) of which are presented in the tables there is possible to order as spare parts.
- The symbol  shows that the part is to be lubricated by grease (used for the machine assembly).
- The symbol  shows that the part is glued (used for the machine assembly).

Parts marked in the drawings with the symbol * and with the remark * SPARE PARTS SUPPLIED WITH THE MACHINE are attached with head of machine.

CONTENTS :

Modules of machine head and of enclosed accessories

Abbreviated module No.	Ordering (complete) module No.	Denomination	Table No.
Class (modules identical for all subclasses)			
M 501		Machine arm	1
M 502		Bed plate	2
M 014		Post-bed	3
M 513		Needle and thread mechanism	4
M 507		Thread tensioner plate	5
M 137		Post-bed for sewing hook	6
M 508		Needle feeding	7
M 515	S980 000515	Feed carrier	38
M 500		Top roller drive	8
M 509		Bottom feed	9
M 514		Lubrication	10
M 277	S980 000277	Thread limiter	11
M 523		Hook lubrication	12
M 206		Cover	13
Subclass			
-		Table of subclasses	14
M 816		Sewing hook	15
M 552	S980 000552	Electromagnetically controlled top roller lifting	16
M 090	S980 000090	Thread trimmer	17
M 519	S980 000519	Thread trimmer drive	18
M 249	S980 000249	Electromagnetically controlled backtacking	19
M 521	S980 000521	Push-button panel	20
M 008	S980 000008	Electrical switch board	21
M 520	S980 000520	Parts for machine without trimming	38

Abbreviated module No.	Ordering (complete) module No.	Denomination	Table No.
Parts sets			
-		Table of parts sets	22
	4100 001000	Parts set for V-belt drive (clutch motor)	22
	4100 007000	Parts set for V-belt drive (stopmotor EFKA)	22
	4100 007100	Parts set for V-belt drive (without stopmotor)	22
	4101 009000	Parts set for indented belt drive (minimotor EFKA)	22
	4100 009100	Parts set for indented belt drive (without minimotor) *	22
Sewing equipment			
-		Table of sewing equipment	33
	4181 E10100	Sewing set for needles 60-80 class 100	33
	4181 E10200	Sewing set for needles 80-110 class 200	33
	4181 E10300	Sewing set for needles 110-140 class 300	33
Optional equipments			
M 010	S980 000010	Lighting	35
Z 012	S794 222012	Lighting halogen (12 V, 20 W - contains transformer)	36
M 018	S980 000018	Sewn work guide	37
M 242	S980 000242	Adjustable gauge	38
M 326	S980 000326	Top roller ø 25 mm cpl. (contain M 156,M 172)	39
M 327	S980 000327	Top roller ø 25 mm rubber coated cpl. (contain M 156,M 174)	39
M 328	S980 000328	Top roller ø 25 mm smooth cpl. (contain M 156,M 310)	39
M 329	S980 000329	Top roller ø 35 mm cpl. (contain M 157,M 173)	40
M 330	S980 000330	Top roller ø 35 mm rubber coated cpl. (contain M 157,M 175)	40
M 331	S980 000331	Top roller ø 35 mm smooth cpl. (contain M 157,M 311)	40
M 332	S980 000332	Top roller ø 45 mm, width 2.0 mm cpl. (contain M 295,M 296)	41
M 333	S980 000333	Top roller ø 45 mm, width 3.8 mm cpl. (contain M 295,M 297)	41
Extention to 4281-2			
M 207	S980 000207	Throat plate for needle distance of 1.2 mm	42
M 208	S980 000208	Throat plate for needle distance of 1.6 mm	43
M 209	S980 000209	Insert for throat plate needle distance 1.6 mm (needle 60-80)	44
M 210	S980 000210	Insert for throat plate needle distance 1.6 mm (needle 80-110)	44
M 217	S980 000217	Insert for throat plate needle distance 1.2 (needle 60-80)	44
M 517	S980 000517	Thread tensioner plate	45
M 065	S980 000065	Post beds for sewing hooks	46
M 516	S980 000516	Feed carrier	38
M 016	S980 000016	Enlarged bobbin stand	47
M 092	S980 000092	Cover of hook	48
M 142	S980 000142	Cover of hook	49
		Table of subclasses	50
		Table of sewing equipments	51

*Delivery is possible with another minimotor than EFKA.

Table of subclasses machines and remove modules

	Module												
	Sewing hook	Electrical switch board	Electromagnetically controlled top roller lifting	Thread trimmer	Set of parts	Thread trimmer drive	Electromagnetically controlled backtacking	Push-button panel					
Classe-subclasse	M 816	M 008	M 552	M 090	M 520	M 519	M 249	M 521					
4181i - 111	●				●								
4181i - 147	●	●	●	●		●	●	●					

Table of parts sets

(delivered with head of sewing machine)

Parts set	Cover of belt	Knee lever	Connecting cable	Standard accessories	Special accessories	Set for mini-stop
4100 007000	M 264 tab.23	M 070 tab.25	M 163 tab.26	M 015 tab.29	M 176 tab.30	
4101 009000	M 266 tab.24	M 070 tab.25	M 302 tab.27	M 015 tab.29	M 252 tab.31	M 300 tab.32
4100 007100	M 264 tab.23	M 070 tab.25	M 055 tab.38	M 015 tab.29	M 176 tab.30	
4100 009100	M 266 tab.24	M 070 tab.25	M 325 tab.28	M 015 tab.29	M 252 tab.31	M 300 tab.32
4100 001000	M 264 tab.23	M 070 tab.25		M 015 tab.29	M 176 tab.30	

Table of sewing equipment

Standard sewing equipment 4181i - 1

Class, subclass, sewing category	Equipment No.	Sewing material	Distance between seams	Throat plate	Throat plate insert	Needle aperture/Distance between the needle axis and the work trimmer line	Feed dog	Feed wheel	Driven top roller	Holder for the top roller	Top roller diameter by width	Flat presser foot	Needle	Needle system and No.	Front needle guide	Rear needle guide	Left-side needle guide washer	Right-side needle guide washer	Lower cutter of sewn material	Sewn work guide
4181i-1XX-100	4181 E10100	light L		M 143 tab. 34	M 144 tab. 34	mm 1,2/0,8		M 060 tab. 38	M 173 tab. 40	M 157 tab. 40	mm ø 35 x 3,8		M 020 tab. 38	134 LR - 80						
4181i-1XX-200	4181 E10200	medium M		M 143 tab. 34	M 145 tab. 34	1,5/1,2		M 060 tab. 38	M 173 tab. 40	M 157 tab. 40	ø 35 x 3,8		M 023 tab. 38	134 LR - 100						
4181i-1XX-300	4181 E10300	medium-heavy M - H		M 143 tab. 34	M 146 tab. 34	2,0/1,5		M 059 tab. 38	M 173 tab. 40	M 157 tab. 40	ø 35 x 3,8		M 021 tab. 38	134 KCLR - 130						
				S425 311020 tab. 38																
				M 018 tab. 37																

Table of subclasses and remove modules

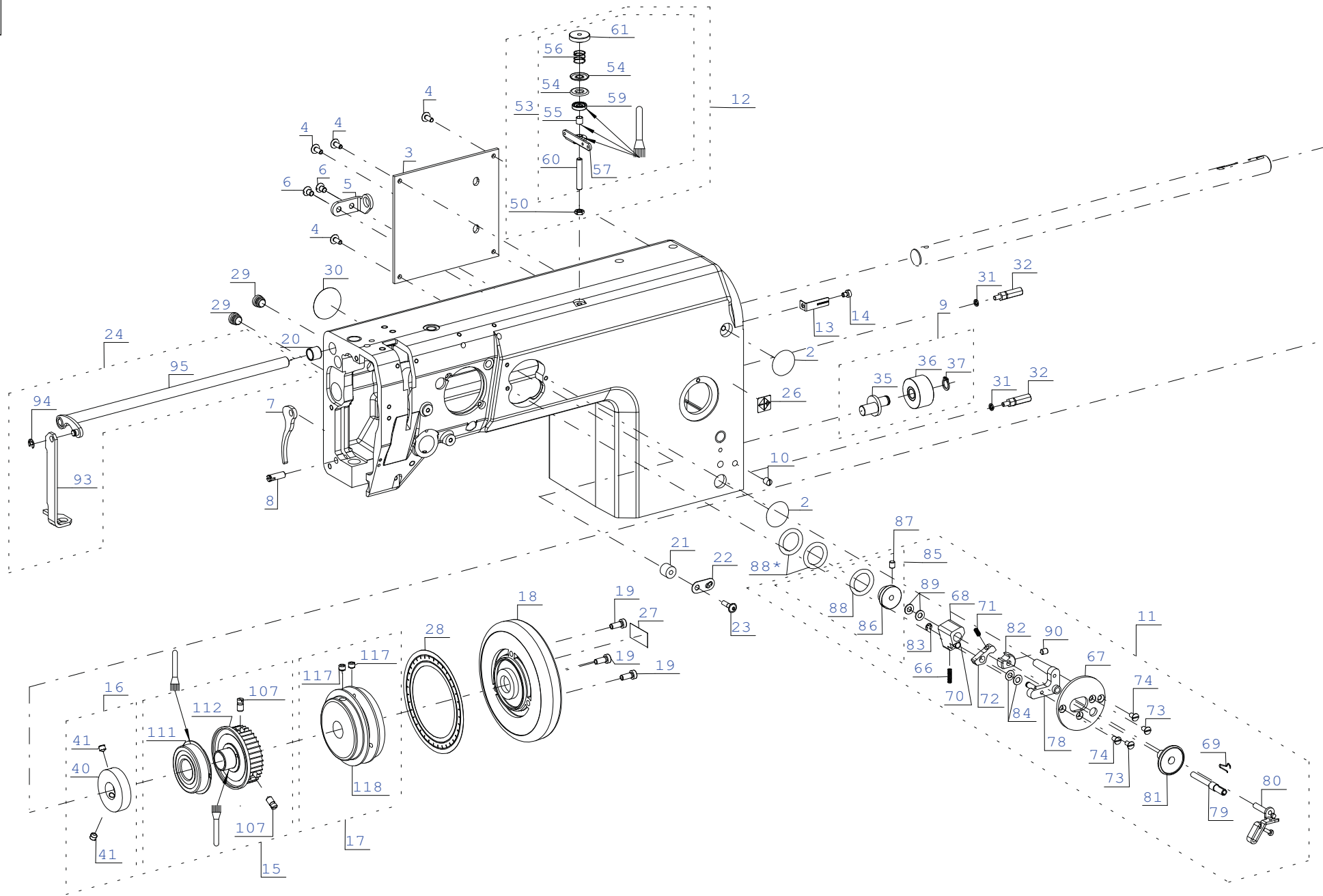
	Module												
	Sewing hook	Electrical switch board	Electromagnetically controlled top roller lifting	Thread trimmer	Set of parts	Thread trimmer drive	Electromagnetically controlled backtacking	Push-button panel	Cover of hook	Cover of hook			
Classe-subclasse	M 816	M 008	M 552	M 090	M 520	M 519	M 249	M 521	M 092	M 142			
4281i - 211	●				●				●				
4281i - 247	●	●	●	●		●	●	●		●			

Table of sewing equipment

Sewing equipment 4281i - 2

Class, subclass, sewing category	Sewing material	Equipment No.	mm	Distance between seams
4281i - 2XX - 100	light L	4281 E20100 *	1,2	Throat plate cpl.
				Throat plate
				Needle holder
				Rear needle guide
				Rear needle guide holder
				Throat plate insert
			mm	Needle aperture
				Needle
				Needle system and No.
				Feed dog
				Feed wheel
			mm	Feed dog tooth pitch
				Flat presser foot
				Driven top roller
				Holder for the top roller
			mm	Top roller diameter by width
				Lower cutter of sewn material
				Sewn work guide
- 100	light L		1,6	
				M 207 tab. 42
				S080 811823
				S080 394190
				S080 623298
				S080 623299
				S080 623290
				M 210 tab. 44
				M 209 tab. 44
				M 217 tab. 44
			1,2	
				M 132 tab. 38
				M 132 tab. 38
				134 KKLR-90
				134 KKLR-80
				M 060 tab. 38
				M 060 tab. 38
			0,4	
				M 173 tab. 40
				M 173 tab. 40
				M 157 tab. 40
				M 157 tab. 40
			ø 35 x 3,8	
			ø 35 x 3,8	
				S425 311020 tab. 38
				M 018 tab. 37

* unless otherwise specified by the customer, the respective standard configuration is supplied for the sewing category in question

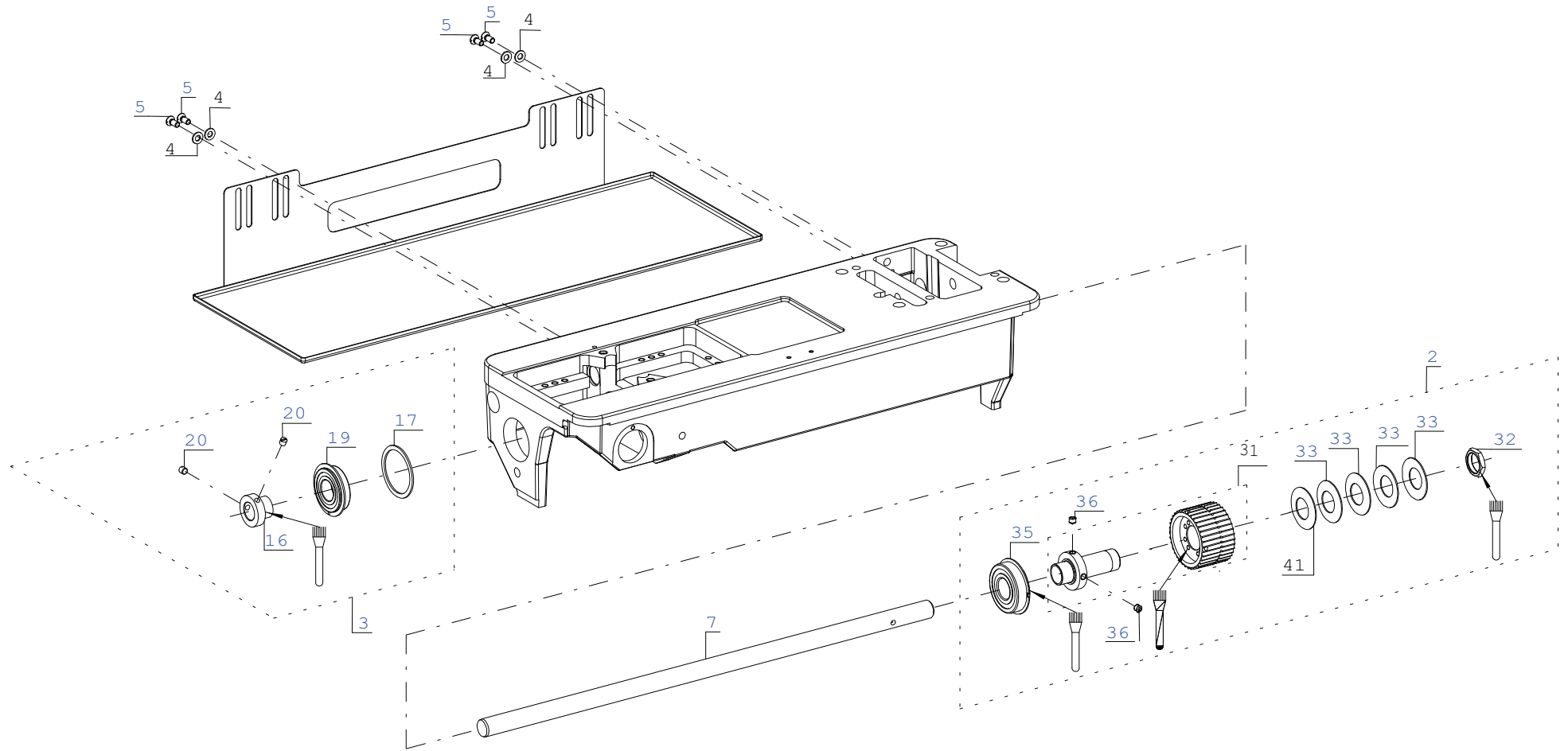


* SPARE PARTS SUPPLIED WITH THE MACHINE

M 501

Pos. Det.	Dílec č. Part No.	Název	Denomination
2	S321 00000	ZÁTKA	PLUG
3	S080 831665	KRYT ZADNÍ	COVER BACK
4	S309 000410	ŠROUB M4 x 10	SCREW M4 x 10
5	S080 836476	KONZOLA	CONSOLE
6	S080 126102	ŠROUB M5 x 8	SCREW M5 x 8
7	S080 615021	ZVEDACÍ PÁKA	LIFTING LEVER
8	S080 310468	KOLÍK	PIN
9	S981 043510	NAPÍNACÍ Kladka ÚPL.	TENSION ROLLER CPL.
10	0244 000700	ŠROUB	SCREW
11	S981 036164	NAVÍJEČ	WINDER
12	S981 025290	VODIČ	GUIDE
13	S080 836485	ŠIPKA	ARROW
14	S309 738406	ŠROUB M4 x 6	SCREW M4 x 6
15	S981 045576	PÁSOVÉ KOLO ÚPLNÉ	BELT WHEEL CPL.
16	S981 045572	KOLO NAVÍJEČE ÚPLNÉ	WHEEL OF WINDER CPL.
17	S981 045570	ŘEMENICE ÚPLNÁ	PULLEY CPL.
18	S980 027610	RUČNÍ KOLO	HAND WHEEL
19	S309 798511	ŠROUB	SCREW
20	S323 007065	LOŽISKO KU 1010	BEARING KU 1010
21	S080 190707	DISTANČNÍ KROUŽEK	DISTANCE RING
22	0271 000260	Nuž	KNIFE
23	S309 000416	ŠROUB	SCREW
24	S981 043496	ZVEDACÍ HRÍDEL	LIFTING SHAFT
26	S080 955135	ŠTÍTEK KNOFLÍKU DÉLKY STEHU	LABEL RELATED TO STITCH LENGHT REGULATION KNOB
27	S080 955132	ŠIPKA SMĚRU OTÁČENÍ	ARROW OF ROTATION SENSE
28	S735 955136	STUPNICE RUČNÍHO KOLA	HAND WHEEL SCALE
29	S321 001000	ZÁTKA PE	PLUG
30	S735 953288	ŠTÍTEK	LABEL
31	S080 191120	PODLOŽKA	WASHER
32	S080 146058	ŠROUB	SCREW
35		VIZ POS. 9	SEE 9
36		VIZ POS. 9	SEE 9
37	9352 000090	POJ. KROUŽEK	RETAINING RING
40		VIZ POS. 16	SEE 16
41	0244 000700	ŠROUB	SCREW
50	S080 161138	MATICE	NUT
53	0221 110154	VODIČ ÚPLNÝ	GUIDE CPL.
54	0037 001280	PODLOŽKA NAPÍNAČE	WASHER OF TENSIONER
55		VIZ POS. 12	SEE 12
56	0396 110470	PRUŽINA	SPRING
57		VIZ POS. 12	SEE 12
59		VIZ POS. 12	SEE 12
60		VIZ POS. 12	SEE 12
61	0993 411208	RYH. MATICE	KNURLED NUT
66	0067 320150	PRUŽINA	SPRING
67		VIZ POS. 65	SEE 65
68		VIZ POS. 65	SEE 65
69	0367 170040	PRUŽINA	SPRING
70	0396 170060	POUZDRO	CASE
71	0396 170080	PRUŽINA	SPRING
72		VIZ POS. 11	SEE 11
73	9225 201740	ŠROUB M4 x 6	SCREW
74	0993 031357	ŠROUB M4 x 8	SCREW
78	0268 170063	TĚLESO NAVÍJEČE	BODY OF WINDER
79	S981 043503	HRÍDEL ÚPLNÁ	SHAFT CPL.
80	0268 170103	PÁKA ÚPLNÁ	LEVER CPL.
81		VIZ POS. 11	SEE 11

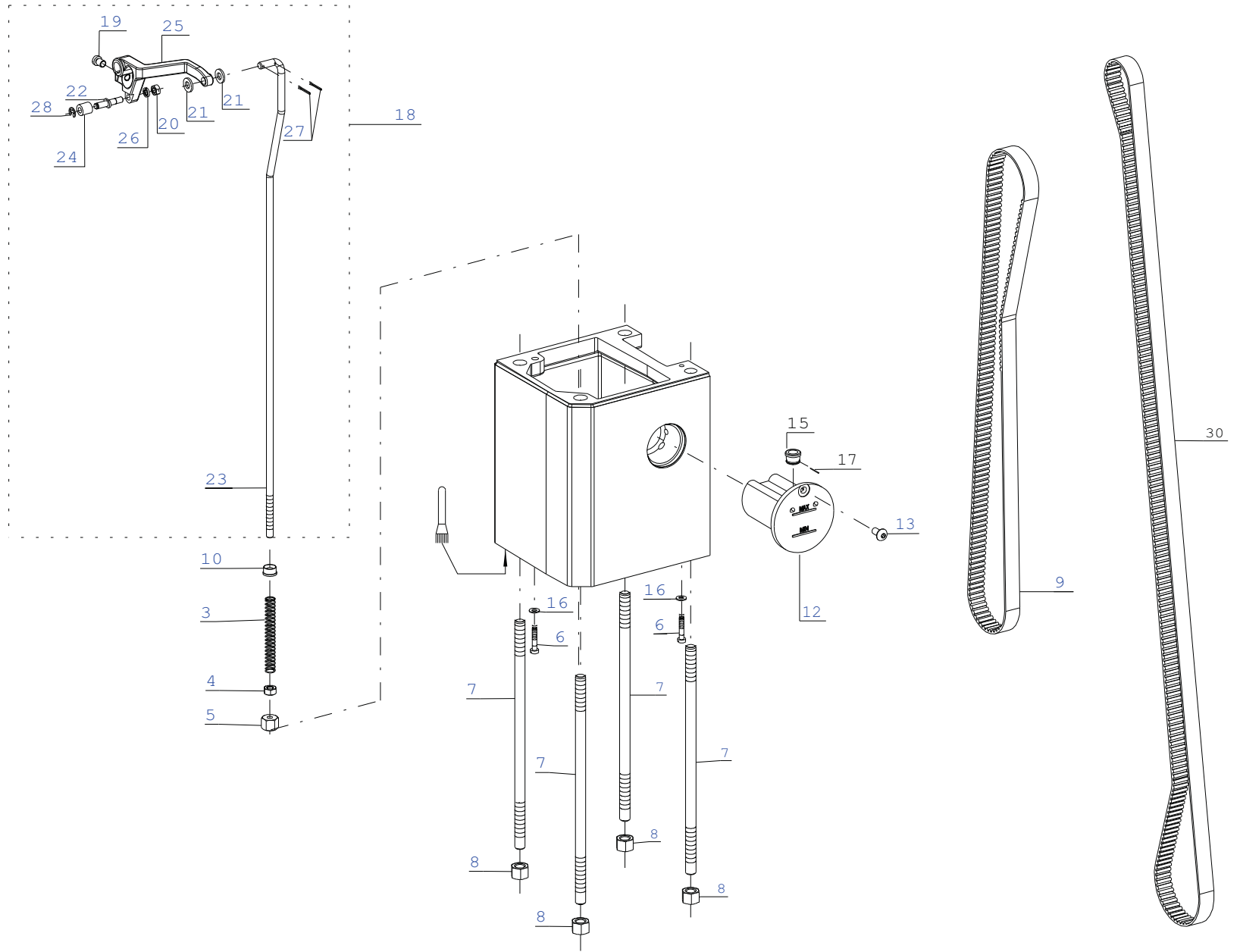
Pos. Det.	Dílec č. Part No.	Název	Denomination
82		VIZ POS. 11	SEE 11
83	9357 000050	PODLOŽKA	WASHER
84		VIZ POS. 11	SEE 11
85	0367 170083	KOLO NAVÍJEČE	WHEEL OF WINDER
86		VIZ POS. 11	SEE 11
87	9205 102168	ŠROUB M5 x 6	SCREW M5 x 6
88	0998 861590	O-KROUŽEK	O-RING
89		VIZ POS. 11	SEE 11
90	0993 060967	ŠROUB	SCREW
93	S080 839312	ZVEDACÍ PLECH	LIFTING SHEET
94	S311 732050	POJ. KROUŽEK	RETAINING RING
95	S980 060175	PÁKA	LEVER
107	0244 000700	ŠROUB	SCREW
111		VIZ POS. 15	SEE 15
112		VIZ POS. 15	SEE 15
117	0244 000700	ŠROUB	SCREW
118		VIZ POS. 17	SEE 17



M 502

Pos. Det.	Dílec č. Part No.	Název	Denomination
2	S981 045573	POJISTNÁ SPOJKA ÚPLNÁ	SAFETY CLUTCH CPL.
3	S981 052036	LOŽISKO ÚPLNÉ	BEARING CPL.
4	9330 000098	PODLOŽKA	WASHER
5	S080 126096	ŠROUB M5 x 12	SCREW M5 x 12
7	S080 341261	SPODNÍ HRÍDEL	LOWER SHAFT
16		VIZ POS. 3	SEE 3
17		VIZ POS. 3	SEE 3
19		VIZ POS. 3	SEE 3
20	S080 111343	ŠROUB	SCREW
31	S980 045574	OZUBENÁ ŘEMENICE	TOOTHED WHEEL
32	S080 161339	MATICE	NUT
33	S080 420010	TALÍŘOVÁ PRUŽINA	WASHER SPRING
35	S324 049910	LOŽISKO ÚPLNÉ	BEARING CPL.
36	0244 000700	ŠROUB	SCREW
41	S311 988232	TALÍŘOVÁ PRUŽINA	WASHER SPRING

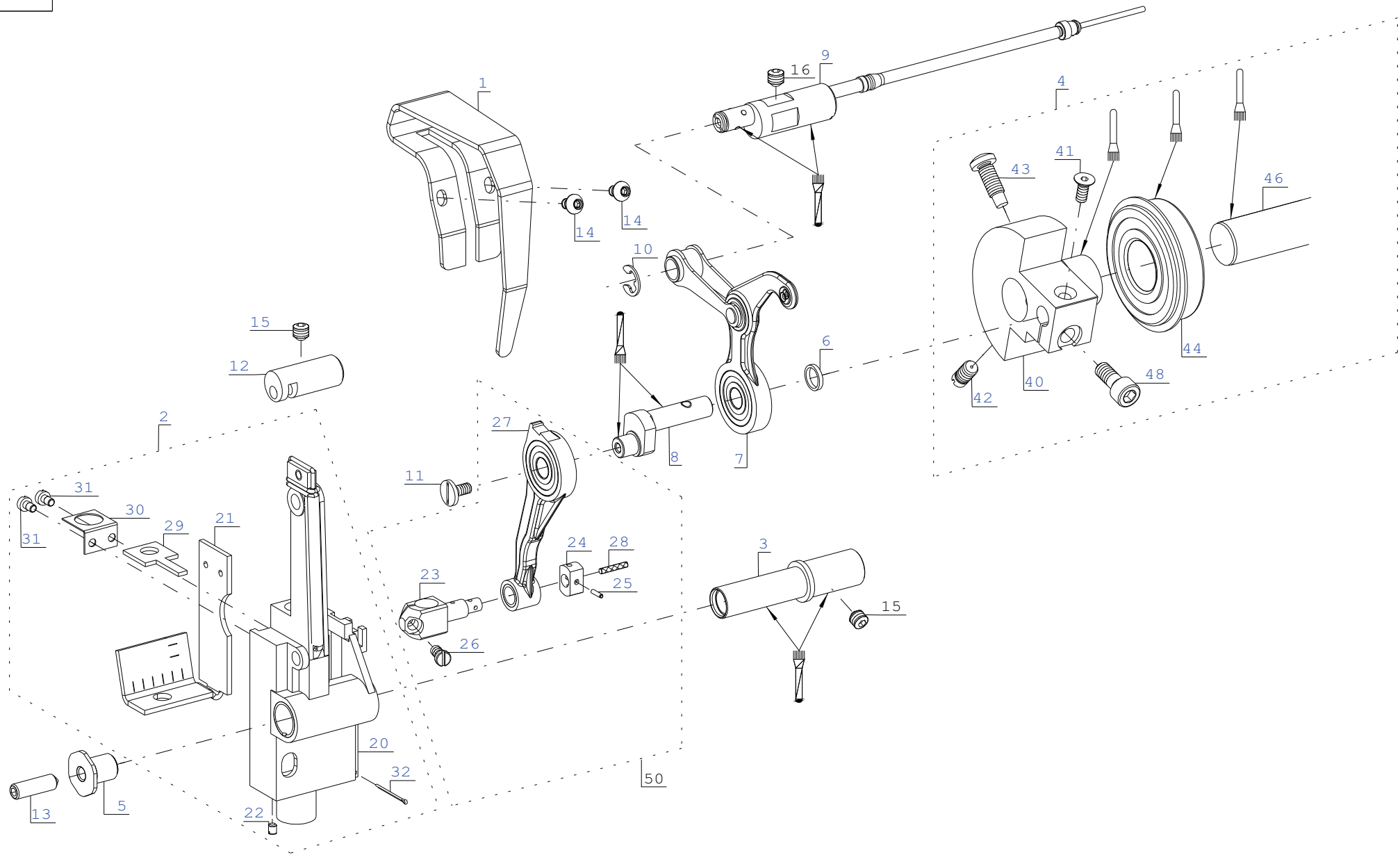
Pos. Det.	Dílec č. Part No.	Název	Denomination
--------------	----------------------	-------	--------------



M 014

Pos. Det.	Dílec č. Part No.	Název	Denomination
3	S080 260608	PRUŽINA	SPRING
4	S080 161142	MATICE	NUT
5	S080 161333	OPĚRKA	SUPPORT
6	S080 120269	ŠROUB M4 x 20	SCREW M4 x 20
9	S272 100515	OZUBENÝ ŘEMEN FLENNOR	TOOTHED BELT FLENNOR
10	S080 425326	POUZDRO	CASE
12	0265 002402	OLEJOVÁ NÁDRŽKA	OIL TANK
13	9217 300528	ŠROUB	SCREW
15	0211 000806	PRŮCHODKA	BUSHING
16	S247 000001	PODLOŽKA	WASHER
17	S158 076500	DRÁT	BLOWER
18	S980 060206	PÁKA ÚPLNÁ	LEVER CPL.
19	S080 120698	ŠROUB	SCREW
20	S080 161146	MATICE	NUT
21	S080 190346	PODLOŽKA	WASHER
22	S080 333175	ČEP	PIN
23	S080 384114	TÁHLO	ROD
24	S080 418182	KLADKA	ROLLER
25	S080 633220	PÁKA	LEVER
26	S311 214051	PODLOŽKA	WASHER
27	S311 318012	ZÁVLAČKA	SPLIT PIN
28	S311 732040	POJISTNÝ KROUŽEK	RETAINING RING
30	S272 100516	OZUBENÝ ŘEMEN FLENNOR	TOOTHED BELT FLENNOR

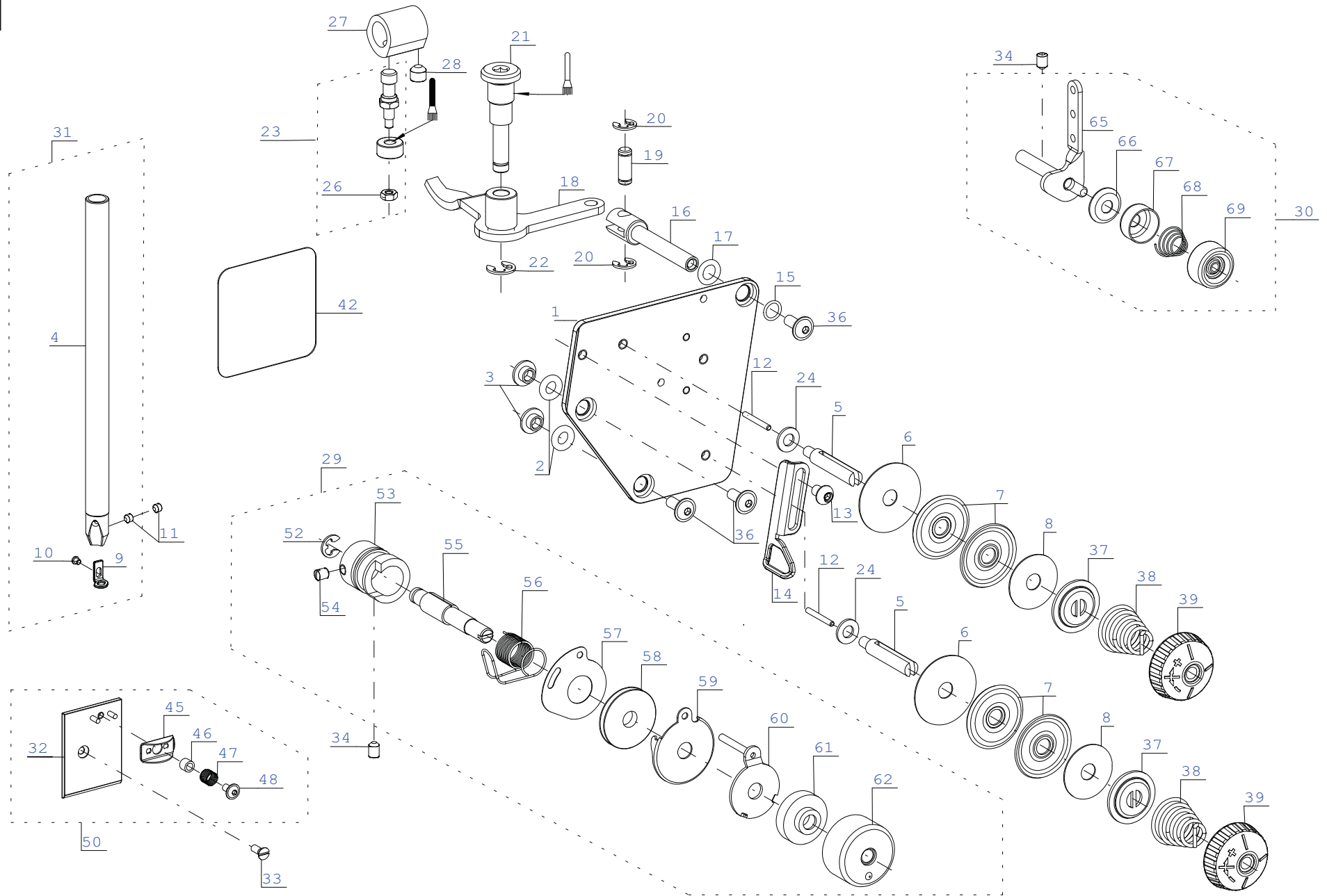
Pos. Det.	Dílec č. Part No.	Název	Denomination
--------------	----------------------	-------	--------------



M 513

Pos. Det.	Dílec č. Part No.	Název	Denomination
1	S080 831666	KRYT	COVER
2	S981 021403	DRŽÁK JEHELNÍ TYČE	HOLDER OF NEEDLE BAR
3	S080 330134	ČEP	PIN
4	S981 052076	HLAVA KLIKY ÚPLNÁ	HEAD OF CRANK CPL.
5	S080 146063	ŠROUB	SCREW
6	S080 410680	KROUŽEK	RING
7	S980 021396	NIŤOVÁ PÁKA ÚPLNÁ	TAKE UP LEVER CPL.
8	S080 338229	KLIKA	CRANK
9	S980 025305	VÝSTŘEDNÍK ÚPLNÝ	ECCENTRIC CPL.
10	S311 732060	POJ. KROUŽEK	RETAINING RING
11	S080 153045	ŠROUB	SCREW
12	S080 328235	ČEP	PIN
13	S309 791616	ŠROUB	SCREW
14	S309 738406	ŠROUB	SCREW
15	0244 000700	ŠROUB	SCREW
16	9205 102473	ŠROUB	SCREW
20		VIZ POS. 2	SEE 2
21		VIZ POS. 2	SEE 2
22	S080 111223	ŠROUB	SCREW
23		VIZ POS. 50	SEE 50
24		VIZ POS. 50	SEE 50
25	S311 515091	KOLÍK 1,6 x 6	PIN 1.6 x 6
26	S080 124050	ŠROUB	SCREW
27		VIZ POS. 50	SEE 50
28	S708 130002	VIZ POS. 50	SEE 50
29		VIZ POS. 2	SEE 2
30	S080 826403	PŘÍCHYTKA	CLIP
31	S080 120367	ŠROUB	SCREW
32	S311 318016	ZÁVLAČKA	SPLIT PIN
40		VIZ POS. 4	SEE 4
41	S311 799410	ŠROUB M4 x 10	SCREW M4 x 10
42	0244 000700	ŠROUB	SCREW
43	S080 138009	ŠROUB	SCREW
44		VIZ POS. 4	SEE 4
46		VIZ POS. 4	SEE 4
48	S080 120295	ŠROUB	SCREW
50	S981 021405	OJNICE ÚPLNÁ	ROD CPL.

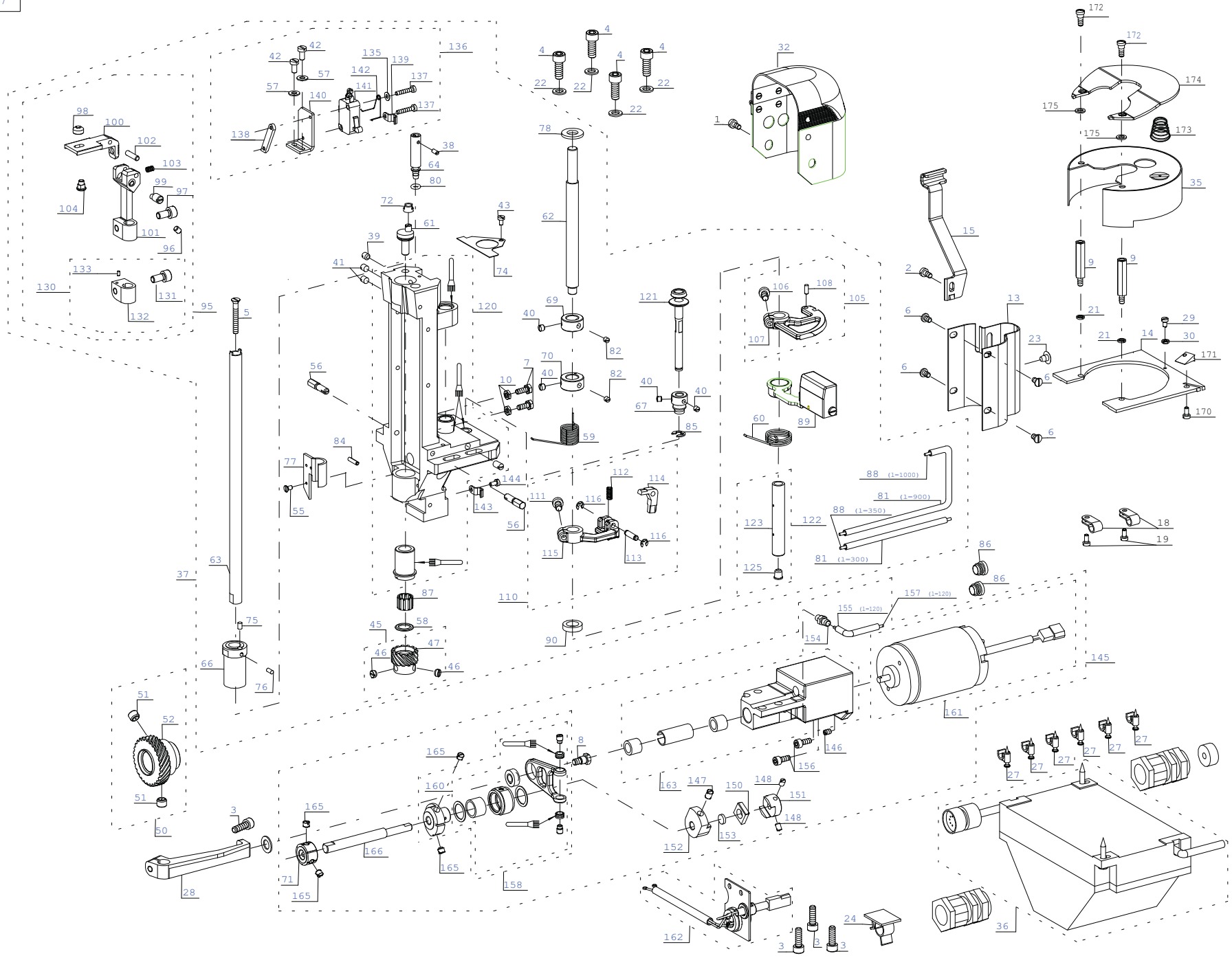
Pos. Det.	Dílec č. Part No.	Název	Denomination
--------------	----------------------	-------	--------------



M 507

Pos. Det.	Dílec č. Part No.	Název	Denomination
1	S080 826404	DESKA	PLATE
2	S273 005025	KROUŽEK	RING
3	S080 425329	POUZDRO	CASE
4		VIZ POS. 31	SEE 31
5	0367 110120	NAPÍNAČÍ ČEP	TENSION PIN
6	S321 941159	PODLOŽKA	WASHER
7	0467 110220	MISKA NAPÍNAČE	DISH OF TENSIONER
8	S321 941158	PODLOŽKA	WASHER
9	S080 821059	VODIČ NITĚ	THREAD GUIDE
10	S080 124052	ŠROUB	SCREW
11	9205 101528	ŠROUB	SCREW
12	S080 310478	KOLÍK	PIN
13	S309 738406	ŠROUB	SCREW
14	S080 821181	VODIČ	GUIDE
15	S273 001000	O-KROUŽEK	O-RING
16	S080 318256	ČEP	PIN
17	0265 000911	O-KROUŽEK	O-RING
18	S980 047280	PÁKA ÚPLNÁ	LEVER CPL.
19	S080 323203	ČEP	PIN
20	S311 732032	POJ. KROUŽEK	RETAINING RING
21	S080 142027	ŠROUB	SCREW
22	S311 732050	POJ. KROUŽEK	RETAINING RING
23	S981 060243	KLADKA ÚPLNÁ	ROLLER CPL.
24	S080 190709	PODLOŽKA	WASHER
26	9234 000057	MATICE	NUT
27	S080 436457	STAVECÍ KROUŽEK	REGULATING RING
28	0244 000700	ŠROUB	SCREW
29	0367 110164	NAPÍNAČ NITĚ ÚPLNÝ	TENSIONER COMPLET CPL.
30	0271 001391	VODIČ ÚPLNÝ	GUIDE CPL.
31	S981 021399	JEHELNÍ TYČ ÚPLNÁ	NEEDLE BAR CPL.
32	S980 060231	DESKA ÚPLNÁ	PLATE CPL.
33	S080 126073	ŠROUB	SCREW
34	9205 101868	ŠROUB	SCREW
36	S309 000410	ŠROUB	SCREW
37	0061 001050	PODLOŽKA	WASHER
38	0099 004800	PRUŽINA	SPRING
39	0271 000238	MATICE	NUT
42	S735 955141	SAMOLEPKA	LABEL
45	S080 839349	PŘÍLOŽKA	SPLICE
46	S080 410699	POUZDRO	CASE
47	S080 260617	PRUŽINA	SPRING
48	S309 000306	ŠROUB	SCREW
50	S981 025306	VODIČ NITĚ ÚPLNÝ	THREAD GUIDE CPL.
52	9357 000060	POJ. KROUŽEK	RETAINING RING
53	0367 110160	POUZDRO	CASE
54	0993 520940	ŠROUB	SCREW
55	0367 110170	ČEP	PIN
56	0068 004910	PRUŽINA	SPRING
57	0367 110350	PODLOŽKA	WASHER
58	0367 110340	ROLNA	ROLLER
59	0367 110360	PODLOŽKA	WASHER
60	0367 110183	PODLOŽKA ÚPLNÁ	WASHER CPL.
61	0367 110290	POUZDRO	CASE
62	0381 110043	MATICE	NUT
65	0271 001392	VODIČ NITĚ	THREAD GUIDE
66	0244 000415	OBJÍMKA	SLEEVE
67	0244 000414	OBJÍMKA	SLEEVE

Pos. Det.	Dílec č. Part No.	Název	Denomination
68	0271 001397	PRUŽINA	SPRING
69	0271 001398	RÝHOVÁ MATICE	MILLED NUT



M 137

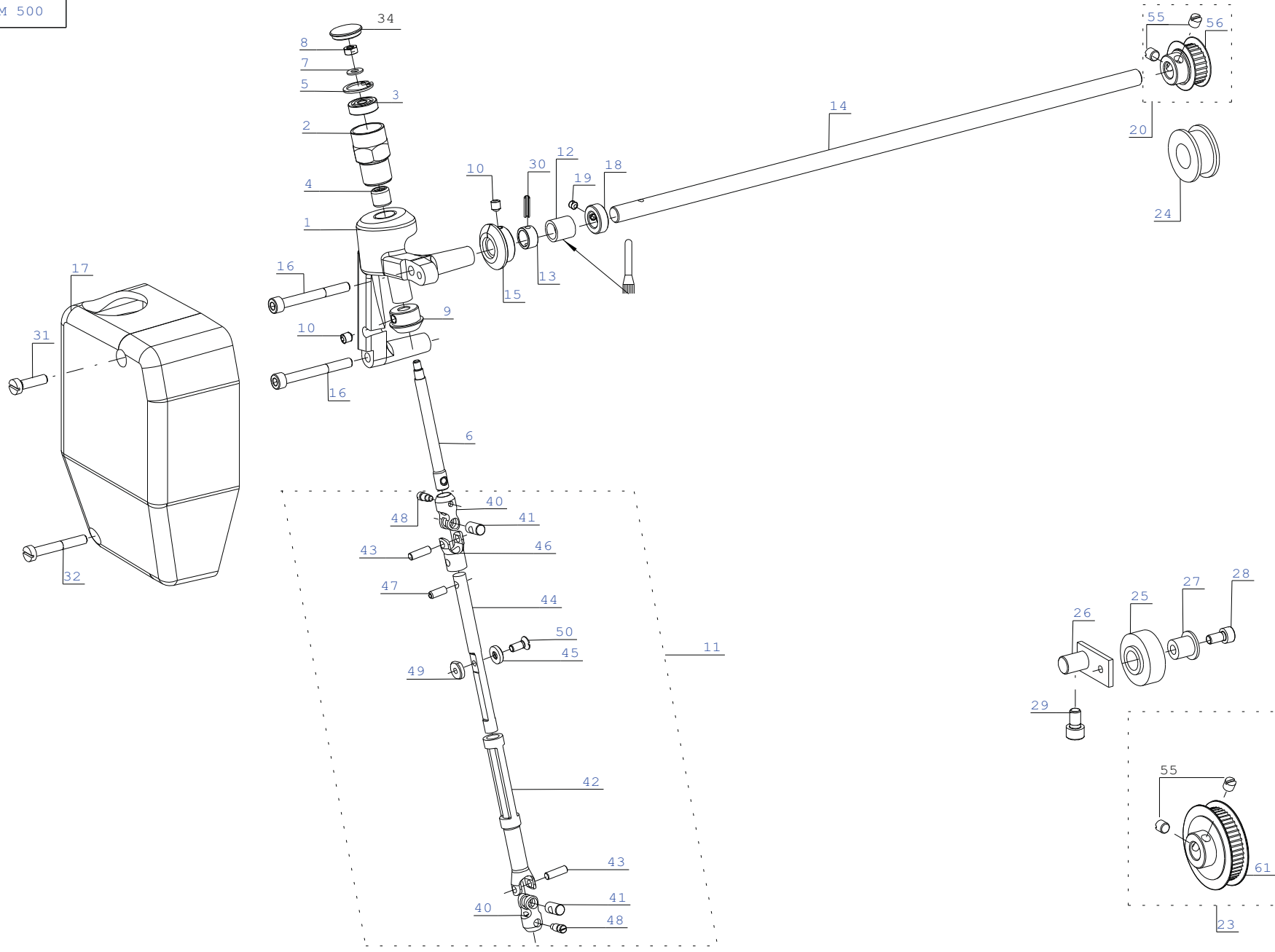
Pos. Det.	Dílec č. Part No.	Název	Denomination
1	S080 120318	ŠROUB M5 x 5	SCREW M5 x 5
2	S080 120331	ŠROUB M4 x 8	SCREW M4 x 8
3	9202 002493	ŠROUB	SCREW
4	S080 120473	ŠROUB M6 x 16	SCREW M6 x 16
5	S080 126178	ŠROUB	SCREW
6	S309 738406	ŠROUB	SCREW
7	S080 141165	ŠROUB M4 x 10	SCREW M4 x 10
8	S080 143046	ŠROUB	SCREW
9	S080 146061	ŠROUB	SCREW
10	S080 161165	MATICE M4	NUT M4.
13	S080 831707	KRYT	COVER
14	S080 831706	DESKA	PLATE
15	S080 831694	CHRÁNIČ NOŽE	PROTECTOR OF KNIFE
18	9840 120028	PŘÍCHYTKA	CLIP
19	S080 120218	ŠROUB	SCREW
21	S311 214041	PODLOŽKA	WASHER
22	S311 433060	PODLOŽKA	WASHER
23	S321 550052	ZÁTKA	PLUG
24	S345 810000	KABELOVÁ PŘÍCHYTKA	CABLE CLIP
27	S345 012000	KABELOVÁ PŘÍCHYTKA	CABLE CLIP
28	S080 613590	PAKA	LEVER
29	S080 120216	ŠROUB M3 x 5	SCREW M3 x 5
30	S080 161150	MATICE M3	NUT M3.
32	S980 047271	KRYT CHAČOVÝ ÚPLNÝ	COVER OF HOOK CPL.
35	S980 059074	KRYT ÚPLNÝ	COVER CPL.
36	S980 090098	ZDROJ	SUPPLY
37	S981 023161	SLOUP CHAČOVÝ A OŘEZU-SUPPORT FOR HOOK AND WORK TRIMMER	
38	S080 110105	ŠROUB	SCREW
39	S080 111261	ŠROUB M5 x 6	SCREW M5 x 6
40	S080 111321	ŠROUB	SCREW
41	S080 112088	ŠROUB M5 x 8	SCREW M5 x 8
42	S080 120218	ŠROUB M4 x 8	SCREW M4 x 8
43	S080 120367	ŠROUB M3 x 5	SCREW M3 x 5
45	S981 045550	OZUBENÉ KOLO ÚPLNÉ	TOOTHED WHEEL CPL.
46	S080 111375	ŠROUB	SCREW
47		VIZ POS. 45	SEE 45
50	S981 060189	OZUBENÉ KOLO ÚPLNÉ	TOOTHED WHEEL CPL.
51	S080 111376	ŠROUB	SCREW
52		VIZ POS. 50	SEE 50
55	S080 126065	ŠROUB M3 x 6	SCREW M3 x 6
56	S080 141320	ŠROUB	SCREW
57	S080 190353	PODLOŽKA	WASHER
58	S080 190681	PODLOŽKA	WASHER
59	S080 264335	PRUŽINA	SPRING
60	S080 264336	PRUŽINA	SPRING
61	S080 338232	ČEP	PIN
62	S080 342340	HŘÍDEL	SHAFT
63	S080 345086	HŘÍDEL	SHAFT
64	S080 346075	MAZACÍ TRUBKA	LUBRICATING TUBE
66	S080 426093	POUZDRO	CASE
67	S080 427119	OVLAĐAČ	DRIVER
69	S080 436449	STAVECÍ KROUŽEK	REGULATING RING
70	S080 436450	STAVECÍ KROUŽEK	REGULATING RING
71	S080 436454	STAVECÍ KROUŽEK	REGULATING RING
72	S080 452050	SMYKADLO	BLOCK
74	S080 831695	KRYT	COVER
75	9041 102035	MAZACÍ PLST	OIL FELT
76	S080 945379	MAZACÍ PLST	OIL FELT
77	S080 945380	MAZACÍ PLST	OIL FELT
78	S080 945392	VLOŽKA	INSERT
80	S273 002001	O KROUŽEK	ORING
81		VIZ POS. 37	SEE 37
82	S309 281404	ŠROUB M 4 x 4	SCREW M 4 x 4
84	S311 515032	KOLÍK 3 x 12	PIN 3 x 12
85	S311 732050	POJ.KROUŽEK	RETAINING RING
86	S321 001000	ZÁTKA PE	PLUG

Pos. Det.	Dílec č. Part No.	Název	Denomination
87	S324 512910	LOŽISKO	BEARING
88		VIZ POS. 37	SEE 37
89	S981 060218	ZÁPINAČÍ PÁKA	ENGAGING LEVER
90	S080 410690	KROUŽEK	RING
95	S980 060213	NOSÍČ NOŽE	CARRIER OF KNIFE
96	S080 111229	ŠROUB M 4 x 5	SCREW M 4 x 5
97	S080 120264	ŠROUB M 5 x 10	SCREW M 5 x 10
98	S080 163147	MATICE	NUT
99-101		VIZ POS. 95	SEE 95
102	S324 031651	VÁLEČEK JEHLOVÝ	NEEDLE ROLLER
103	0396 170080	PRUŽINA	SPRING
104	S080 325038	VLOŽKA NOŽE	INSERT OF KNIFE
105	S980 060203	PÁKA ÚPLNÁ	LEVER CPL.
106	S080 120264	ŠROUB M 5 x 10	SCREW M 5 x 10
107		VIZ POS. 105	SEE 105
108	S311 515012	KOLÍK 3 x 8	PIN 3 x 8
110	S980 060204	PAKA SE ZÁPADKOU	LEVER WITH PAWL
111	S080 120229	ŠROUB M 5 x 10	SCREW M 5 x 10
112	S080 260609	PRUŽINA	SPRING
113	S080 310476	ČEP	PIN
114	S080 625187	ZÁPADKA	PAWL
115	S080 744540	PÁKA	LEVER
116	S311 732032	POJ. KROUŽEK	RETAINING RING
120	S981 039109	CHAČOVÝ SLOUPEK S POUZDRY	HOOK POST WITH CASE
121	S981 039116	TLAČÍTKO ÚPLNÉ	PRESS BUTTON CPL.
122	S981 043505	HŘÍDEL S MAZNICÍ	SHAFT
123-125		VIZ POS. 122	SEE 122
130	S981 052061	SVĚRKA S KOLÍKEM	CLAMP WITH PIN
131	S080 120264	ŠROUB M 5 x 10	SCREW M 5 x 10
132		VIZ POS. 130	SEE 130
133	S311 515004	KOLÍK 2 x 4	PIN 2 x 4
135	S080 190358	PODLOŽKA	WASHER
136	S981 094035	DRŽÁK S MIKROSPÍNAČE	HOLDER OF MICROSVITCH
137		VIZ POS. 136	SEE 136
138	S080 826394	PŘÍLOŽKA	SPLICE
139	S080 824095	PŘÍCHYTKA	CLIP
140	S080 836484	DRŽÁK	HOLDER
141	S405 112000	MIKROSPÍNAČ	MICROSVITCH
142	S080 265041	PRUŽINA	SPRING
143	S080 824095	PŘÍCHYTKA	CLIP
144	S080 120245	ŠROUB M 3 x 6	SCREW M 3 x 6
145	S981 052062	NAHON OŘEZU	DRIVER OF TRIMMER
146	S080 110080	ŠROUB	SCREW
147	S080 111302	ŠROUB	SCREW
148	S080 111230	ŠROUB M 4 x 6	SCREW M 4 x 6
150	S080 451116	KÁMEN	STONE
151	S080 459064	UNAŠEČ	DRIVER
152	S080 452052	UNAŠEČ	DRIVER
153	S080 945385	VLOŽKA	INSERT
154	0367 160320	KONCOVKA	TERMINAL
155		VIZ POS. 145	SEE 145
156	S309 912410	ŠROUB M 4 x 10	SCREW M 4 x 10
157		VIZ POS. 145	SEE 145
158	S980 060217	VYSTREDNÍK S OJNICÍ	ECCENTRIC WITH ROD
160	S980 060205	OJNICE ÚPLNÁ	ROD CPL.
161	S980 078167	ÚPRAVA MOTORU	ADAPTATION OF MOTOR
162	S980 090102	DRŽÁK ÚPLNÝ	HOLDER CPL.
163	S981 027607	DRŽÁK S POUZDRY	HOLDER WITH CASE
165	S080 111231	ŠROUB	SCREW
166	S080 349217	HŘÍDEL	SHAFT
170	S080 126110	ŠROUB M3 x 5	SCREW M3 x 5
171	S080 647380	DORAZ	STOP
172	S080 131471	ŠROUB	SCREW
173	S080 262084	PRUŽINA	SPRING
174	S080 839336	PÁKA	LEVER
175	S080 945396	PODLOŽKA	WASHER

M 508

Pos. Det.	Dílec č. Part No.	Název	Denomination
1	S981 022881	TŘMEN-SESTAVA	STIRRUP-ASSEMBLY
2	S981 060226	PÁKA ÚPLNÁ	LEVER CPL.
3	S981 060193	VÁČKA ÚPLNÁ	CAM CPL.
4	S981 060194	ZPÁTKOVACÍ PÁKA	BACKTACKING LEVER
5	S981 060195	KNOFLÍK ÚPLNÝ	BUTTON CPL.
6	S981 052044	STAVECÍ KROUŽEK ÚPLNÝ	REGULATING RING CPL.
7	S981 052049	VEDENÍ ÚPLNÉ	GUIDANCE CPL.
8	S981 052050	OBJÍMKA ÚPLNÁ	SLEEVE CPL.
9	S080 425319	POUZDRO	CASE
10	S080 111379	ŠROUB	SCREW
11	S080 320342	ČEP	PIN
12	S980 052070	ČEP ÚPLNÝ	PIN CPL.
13	S080 410676	POUZDRO	CASE
17	9202 002477	ŠROUB M5 x 12	SCREW M5 x 12
18	S080 831671	KRYT ZADNÍ	COVER BACK
19	S080 271544	SPONA	CLIP
20	S080 945397	MAZACÍ VLOŽKA	LUBRICATION INSERT
21	S080 324062	ČEP	PIN
22	S080 260604	PRUŽINA	SPRING
23	S080 156045	SEŘIZOVACÍ ŠROUB	SETTING-UP SCREW
24	S080 260602	PRUŽINA	SPRING
25	S080 943221	PODLOŽKA	WASHER
26	S080 392119	PŘITLAČNÁ TYČ	PRESSURE BAR
28	S080 111029	ŠROUB	SCREW
29	S080 412222	POUZDRO	CASE
30	S981 043511	HŘÍDEL ÚPLNÁ	BAR CPL.
31	S311 732060	POJ. KROUŽEK	RETAINING RING
32	S080 425322	POUZDRO	CASE
35	S080 135081	ŠROUB	SCREW
36	S283 068001	HADIČKA PVC OLEJ.	HOSE PVC OIL
38	S311 515055	KOLÍK 6 x 20	PIN 6 x 20
39	S980 052063	CHRÁNIČ PRSTŮ	PROTECTOR OF FINGER GUARD
40	S080 281139	PRUŽINA	SPRING
44	S080 112115	ŠROUB M4 x 6	SCREW M4 x 6
45	S080 120364	ŠROUB M5 x 14	SCREW M5 x 14
46	9202 002088	ŠROUB	SCREW
47	0244 000700	ŠROUB	SCREW
48	S080 138009	ŠROUB	SCREW
49	S080 826402	PŘÍLOŽKA	SPLICE
50	S080 132112	ŠROUB	SCREW
51	S080 283176	PRUŽINA	SPRING
52		VIZ POS. 1	SEE 1
53		VIZ POS. 1	SEE 1
54		VIZ POS. 1	SEE 1
55	S080 352002	TÁHLO	ROD
56		VIZ POS. 1	SEE 1
58		VIZ POS. 1	SEE 1
59	S080 635299	PÁKA	LEVER
62		VIZ POS. 1	SEE 1
63	S311 732060	POJ. KROUŽEK	RETAINING RING
64	S311 733280	POJ. KROUŽEK	RETAINING RING
66		VIZ POS. 1	SEE 1
67	S980 060222	VÝSTŘEDNÍK S OJNICÍ	ECCENTRIC WITH ROD
68		VIZ POS. 1	SEE 1
80	S080 349219	HŘÍDEL	SHAFT
81	S980 060230	PÁKA ÚPLNÁ	LEVER CPL.

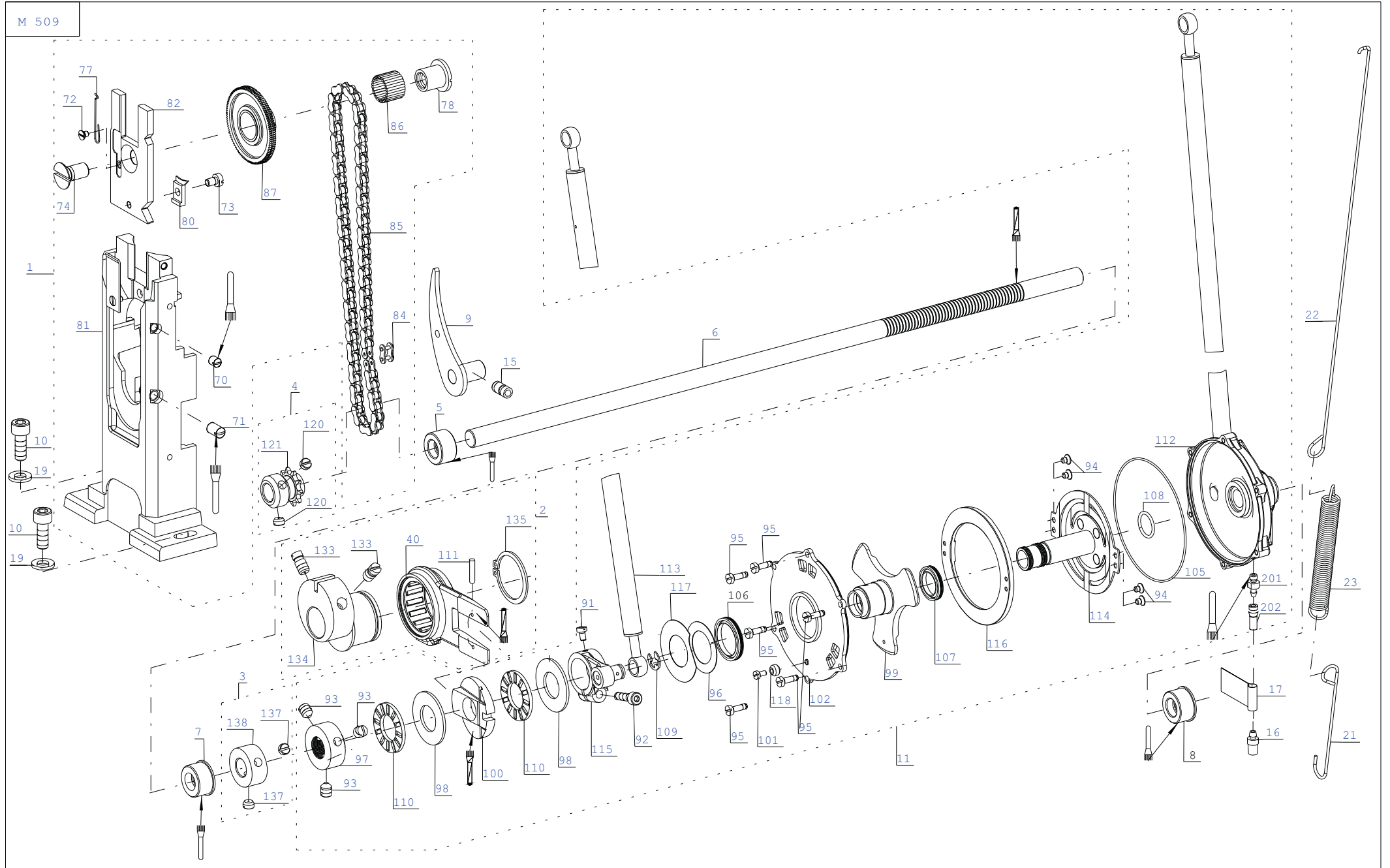
Pos. Det.	Dílec č. Part No.	Název	Denomination
82	S080 143049	ŠROUB	SCREW
83	S080 190359	PODLOŽKA	WASHER
85	S080 314270	ČEP	PIN
124	S080 111375	ŠROUB	SCREW
125	S080 436444	STAVECÍ KROUŽEK	REGULATING RING
141	S080 120543	ŠROUB	SCREW
142		VIZ POS. 7	SEE 7
145	S080 260606	PRUŽINA	SPRING
146	S080 436446	STAVECÍ KROUŽEK	REGULATING RING
147	S080 646472	OBJÍMKA DRŽÁKU	SLEEVE OF HOLDER
150	S080 120364	ŠROUB M5 x 4	SCREW M5 x 4
151	S080 331192	ČEP	PIN
152		VIZ POS. 2	SEE 2
154		VIZ POS. 2	SEE 2
155	S080 190706	PODLOŽKA	WASHER
163	S080 120705	ŠROUB	SCREW
164		VIZ POS. 3	SEE 3
168	S080 340203	HŘÍDEL	SHAFT
169	S080 621040	ZPÁTKOVACÍ PÁKA	BACKTACKING LEVER
171	S311 733120	POJ. KROUŽEK	RETAINING RING
172	S315 263276	PRUŽINA	SPRING
175	9205 102488	ŠROUB M6 x 10	SCREW M6 x 10
176	S080 233061	KNOFLÍK	BUTTON
177	S080 441687	KOTOUČ	DISK
179	S273 001002	O-KROUŽEK 9 x 2	O-RING 9 x 2
180	S311 515021	KOLÍK 2 x 10	PIN 2 x 10
182	S080 332172	ŠROUB	SCREW
183	S735 975184	SAMOLEPÍCÍ ŠTÍTEK-STUPNICE	LABEL-SCALE



M 500

Pos. Det.	Dílec č. Part No.	Název	Denomination
1	S080 744533	DRŽÁK VARIÁTORU	HOLDER
2	S080 156058	ŠROUB	SCREW
3	9120 030050	LOŽISKO	BEARING
4	S324 609110	LOŽISKO	BEARING
5	S311 733161	POJ. KROUŽEK	RETAINING RING
6	S080 342343	HŘÍDEL	BAR
7	9330 200097	PODLOŽKA	WASHER
8	S080 161144	MATICE	NUT
9	S080 562120	PASTOREK	PINION
10	9205 102168	ŠROUB	SCREW
11	S981 024309	KLOUBOVÝ HŘÍDEL	JOINT SHAFT
12	S080 410677	POUZDRO	CASE
13	S080 436459	OBJÍMKA	SLEEVE
14	S080 344092	HŘÍDEL	BAR
15	S080 562121	KOLO	WHEEL
16	9202 002558	ŠROUB	SCREW
17	S321 920024	ČELNÍ KRYT	FRONTAL COVER
18	S080 436458	OBJÍMKA	SLEEVE
19	S080 111281	ŠROUB	SCREW
20	S981 045551	OZUBENÁ ŘEMENICE	TOOTHED PULLEY
23	S981 045552	OZUBENÁ ŘEMENICE ÚPLNÁ	TOOTHED PULLEY CPL.
24	S080 951385	KLADKA	ROLLER
25	S080 951386	NAP. KLADKA	TENSION ROLLER
26	S980 060181	DRŽÁK NAPÍNACÍ KLADKY	HOLDER OF TENSION ROLLER
27	S080 422222	POUZDRO	CASE
28	S080 120264	ŠROUB	SCREW
29	S080 120346	ŠROUB	SCREW
30	S311 515032	KOLIK	PIN
31	S080 120270	ŠROUB	SCREW
32	S080 120100	ŠROUB	SCREW
34	S321 945405	ZÁTKA	PLUG
40	S080 326251	ČEP	PIN
41	S080 336086	ČEP	PIN
42	S080 346080	HŘÍDEL	BAR
43	S080 314264	ČEP	PIN
44	S080 349212	HŘÍDEL	BAR
45	S080 196044	PODLOŽKA	WASHER
46	S080 326252	ČEP	PIN
47	S311 515023	KOLIK	PIN
48	S080 135082	ŠROUB	SCREW
49	S080 163145	MATICE	NUT
50	S080 126066	ŠROUB	SCREW
55	0244 000700	ŠROUB	SCREW
56		VIZ POS. 20	SEE 20
61		VIZ POS. 23	SEE 23

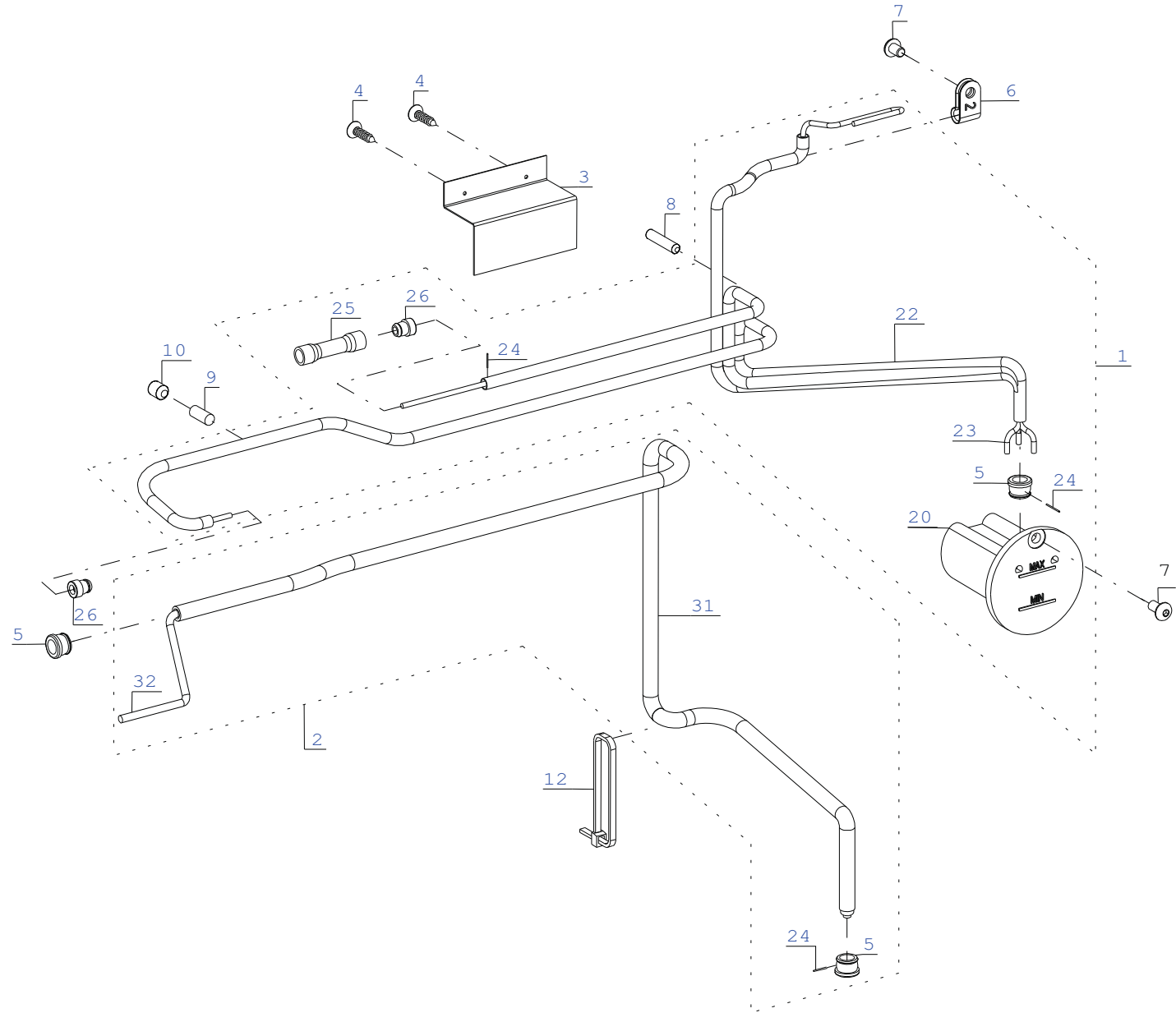
Pos. Det.	Dílec č. Part No.	Název	Denomination
--------------	----------------------	-------	--------------



M 509

Pos. Det.	Dílec č. Part No.	Název	Denomination
1	S981 023166	STŘEDNÍ SLOUP ÚPLNÝ	MIDDLE POST CPL.
2	S981 052046	VÝSTŘEDNÍK ÚPLNÝ	ECCENTRIC CPL.
3	S981 052047	STAVĚCÍ KROUŽEK ÚPLNÝ	REGULATING RING CPL.
4	S981 045549	ŘETĚZOVÉ KOLO ÚPLNÉ	CHAIN WHEEL CPL.
5	S080 410679	LOŽISKO	BEARING
6	S080 341254	HŘÍDEL	SHAFT
7	S080 425320	LOŽISKO	BEARING
8	S080 425318	LOŽISKO	BEARING
9	S980 059061	NAPÍNAČ ŘETĚZU	TENSION OF CHAIN
10	9202 002907	ŠROUB	SCREW
11	S981 024299	SPOJKA ÚPLNÁ	CLUTCH CPL.
15	9205 102498	ŠROUB	SCREW
16	S080 424165	KONCOVKA	TERMINAL
19	S080 190347	PODLOŽKA	WASHER
20	S080 425319	POUZDRO	CASE
21	S080 271522	HÁČEK PRUŽINY	HOOK OF SPRING
22	S080 271523	HÁČEK PRUŽINY	HOOK OF SPRING
23	S315 263275	PRUŽINA	SPRING
40	S980 060185	OJNICE ÚPLNÁ	ROD CPL.
70	S080 112088	ŠROUB M5 x 8	SCREW M5 x 8
71	9205 122498	ŠROUB	SCREW
72	9203 313021	ŠROUB M3 x 4	SCREW M3 x 4
73	S080 120217	ŠROUB M4 x 6	SCREW M4 x 6
74	S080 126088	ŠROUB M8 x 16	SCREW M8 x 16
77	S080 271524	ZÁPADKA	LATCH
78	S080 322354	ČEP	PIN
80	S080 648179	STĚRKA	CLEANING KNIFE
81		VIZ POS. 1	SEE 1
82	S080 746175	DESKA	PLATE
84	S318 012024	SPOJKA ŘETĚZU 6 x 2,8	CLUTCH OF CHAIN 6 x 2.8
85	S318 012070	ŘETĚZ 6 x 2,8	CHAIN 6 x 2.8
86	S324 031650	JEHLOVÝ VÁLEČEK 1,5 x 11,8	NEEDLE ROLLER
87	S980 045542	OZUBENÉ KOLO ÚPLNÉ	TOOTHED WHEEL CPL.
91	S080 120296	ŠROUB M3 x 5	SCREW M3 x 5
92	S309 100414	ŠROUB M4 x 16	SCREW M4 x 16
93	S080 112016	ŠROUB	SCREW
94	9203 313021	ŠROUB	SCREW
95	S080 120516	ŠROUB	SCREW
96	S080 281136	PRUŽINA	SPRING
97	S080 425324	KROUŽEK	RING
98	S080 441671	KROUŽEK	RING
99	S080 442655	SPOJKA	CLUTCH
100	S080 451114	KLÍN	WEDGE
101	S080 120403	ŠROUB M2,5 x 3	SCREW M2.5 x 3
102	S080 710134	ŠTÍT	SHIELD
105	S273 014225	O-KROUŽEK 58 x 1	O-RING 58 x 1
106	S273 005000	GUFERO INA 18 x 24 x 3	GUFERO INA 18 x 24 x 3
107	S273 004000	GUFERO INA 13 x 19 x 3	GUFERO INA 13 x 19 x 3
108	S273 002002	O-KROUŽEK 12 x 1,5	O-RING 12 x 1.5
109	S311 732050	POJ. KROUŽEK	RETAINING RING
110	S324 800000	LOŽISKO AXK 1528 INA	BEARING AXK 1528 INA
111		VIZ POS. 2	SEE 2
112	S980 022852	SPOJKA S TÁHLEM	CLUTCH WITH ROD
113	S980 039102	TÁHLO	ROD
114	S980 047266	POUZDRO ÚPLNÉ	CASE CPL.
115	S980 060186	PÁKA ÚPLNÁ	LEVER CPL.

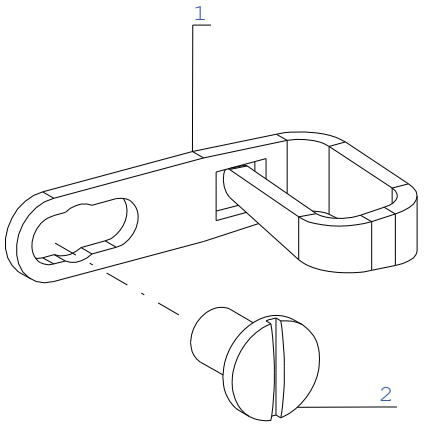
Pos. Det.	Dílec č. Part No.	Název	Denomination
116	S980 088003	KOTOUČ ÚPLNÝ	DISK CPL.
117	S080 814478	KROUŽEK	RING
118	S080 412223	POUZDRO	CASE
120	S080 111375	ŠROUB	SCREW
121		VIZ POS. 4	SEE 4
133	S080 120689	ŠROUB	SCREW
134	S080 671178	VÝSTŘEDNÍK DÉLKY STEHU	ECCENTRIC OF LENGHT STITCH
135	S311 733280	POJ. KROUŽEK	RETAINING RING
137	S080 111375	ŠROUB	SCREW
138		VIZ POS. 3	SEE 3
201	S080 424163	VENTIL	VENT
202	S283 002004	HADIČKA SILIKONOVÁ	HOSE SILIKON



M 514

Pos. Det.	Dílec č. Part No.	Název	Denomination
1	S981 052071	MAZACÍ SKŘÍŇ ÚPLNÁ	LUBRICATION BOX CPL.
2	S981 052075	ODSAVACÍ KNOT ÚPLNÝ	WICK CPL.
3	S080 826412	PŘÍCHYTKA	CLIP
4	S311 400515	VRUT UN	SCREW UN
5	0211 000806	PRŮCHODKA	BUSHING
6	9840 120026	PŘÍCHYTKA	CLIP
7	9217 300528	ŠROUB	SCREW
8	S309 287416	ŠROUB	SCREW
9	S080 310483	KOLÍK	PIN
10	9205 102478	ŠROUB	SCREW
12	S562 411000	NG PÁSEK	NG BAND
20	0265 002402	OLEJOVÁ NÁDRŽKA	OIL TANK
22		VIZ POS. 1	SEE 1
23		VIZ POS. 1	SEE 1
24	S158 076500	DRÁT	BLOWER
25	S283 003001	HADIČKA PVC	HOSE PVC
26	0211 000085	PRŮCHODKA	BUSHING
31		VIZ POS. 2	SEE 2
32		VIZ POS. 2	SEE 2

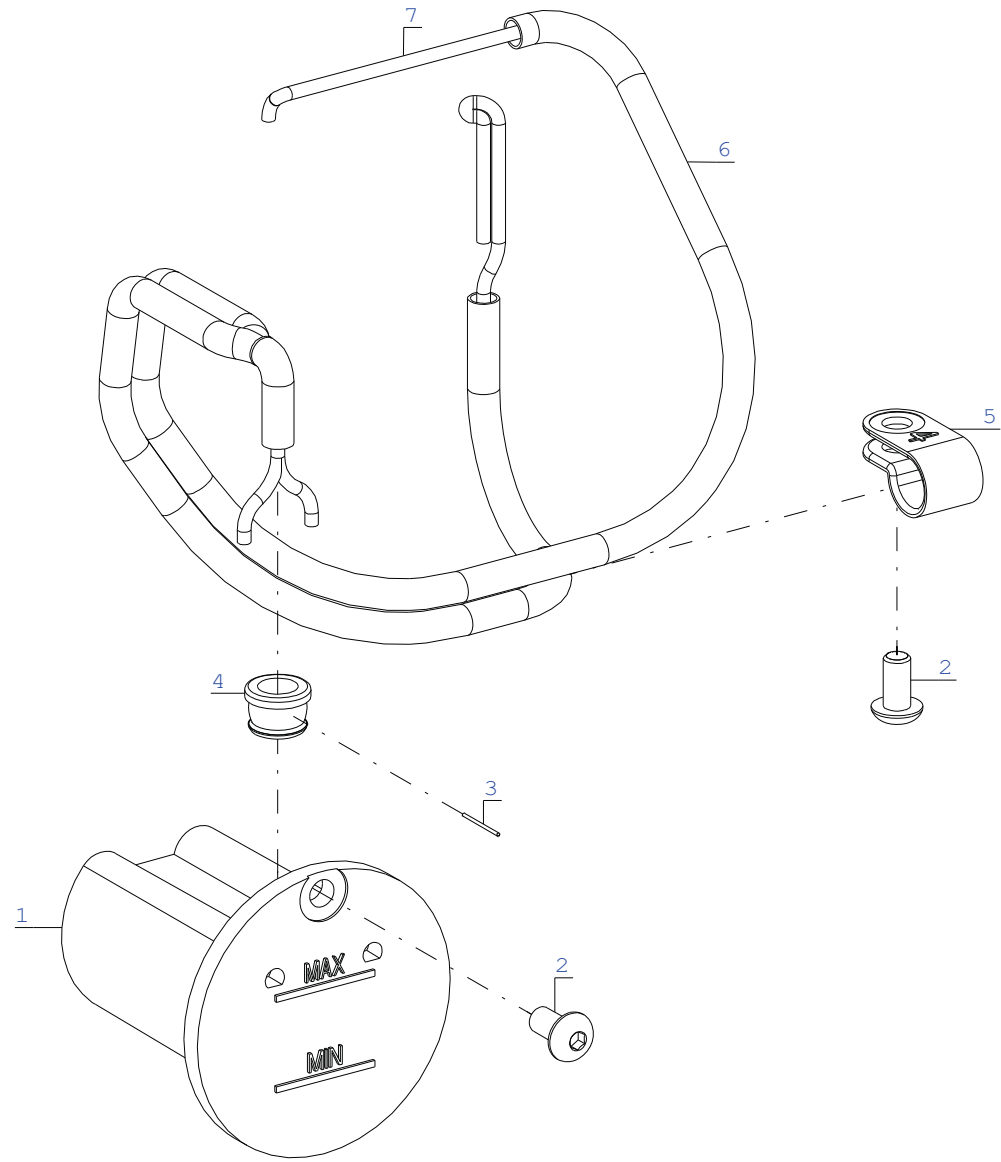
Pos. Det.	Dílec č. Part No.	Název	Denomination
--------------	----------------------	-------	--------------



M 277

Pos. Det.	Dílec č. Part No.	Název	Denomination
.....	S980 000277	OMEZOVAČ NITI	THREAD LIMITER
1	S080 821113	VODIČ	GUIDE
2	S309 738406	ŠROUB	SCREW

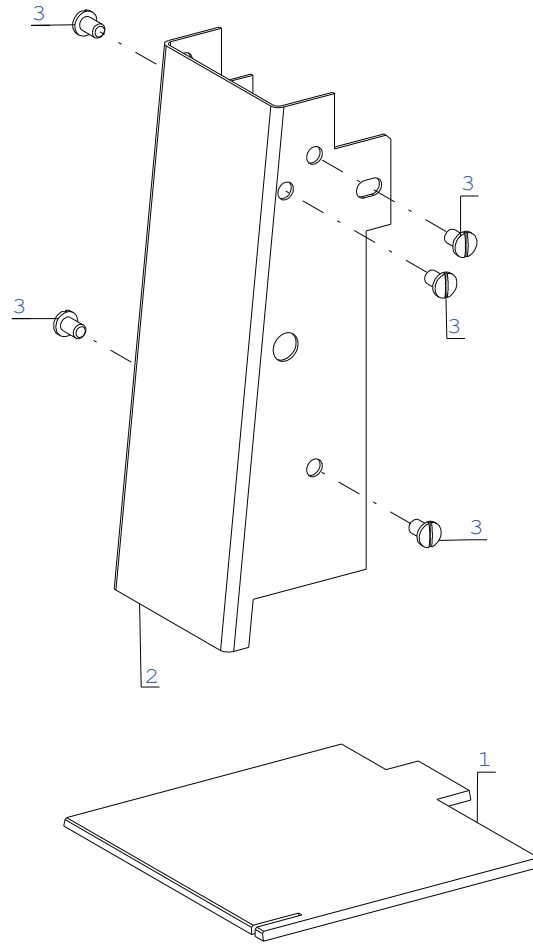
Pos. Det.	Dílec č. Part No.	Název	Denomination
--------------	----------------------	-------	--------------



M 523

Pos. Det.	Dílec č. Part No.	Název	Denomination
1	0265 002402	OLEJOVÁ NÁDRŽKA	OIL TANK
2	9217 300528	ŠROUB	SCREW
3	S158 076500	DRÁT	BLOWER
4	0211 000806	PRŮCHODKA	BUSHING
5	9840 120027	PŘÍCHYTKA	CLIP
6	VIZ S980 000523	VIZ S980 000523	S980 000523
7	VIZ S980 000523	VIZ S980 000523	S980 000523

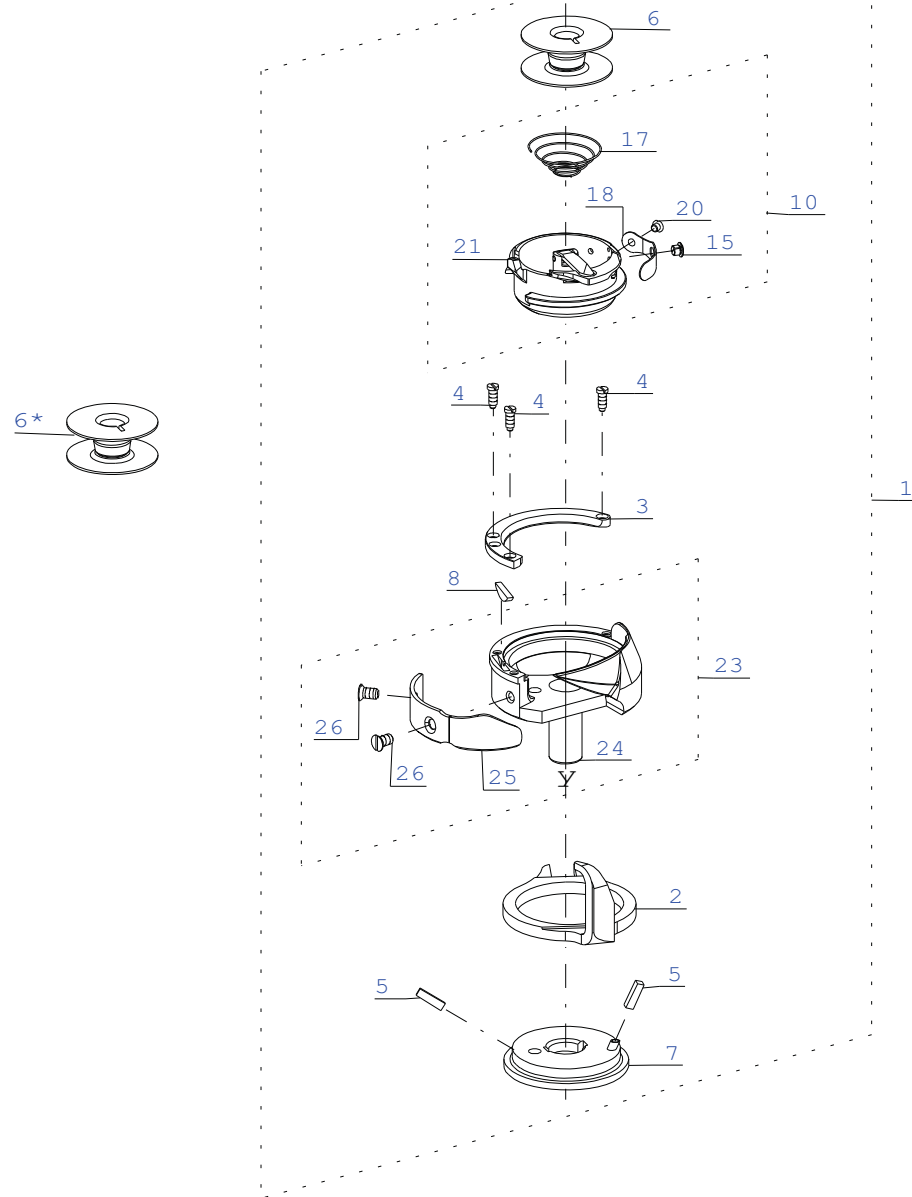
Pos. Det.	Dílec č. Part No.	Název	Denomination
--------------	----------------------	-------	--------------



M 206

Pos. Det.	Dílec č. Part No.	Název	Denomination
1	S080 812203	DESKA LEVÁ	PLATE LEFT
2	S080 831720	KRYT	COVER
3	S309 738406	ŠROUB	SCREW

Pos. Det.	Dílec č. Part No.	Název	Denomination
--------------	----------------------	-------	--------------

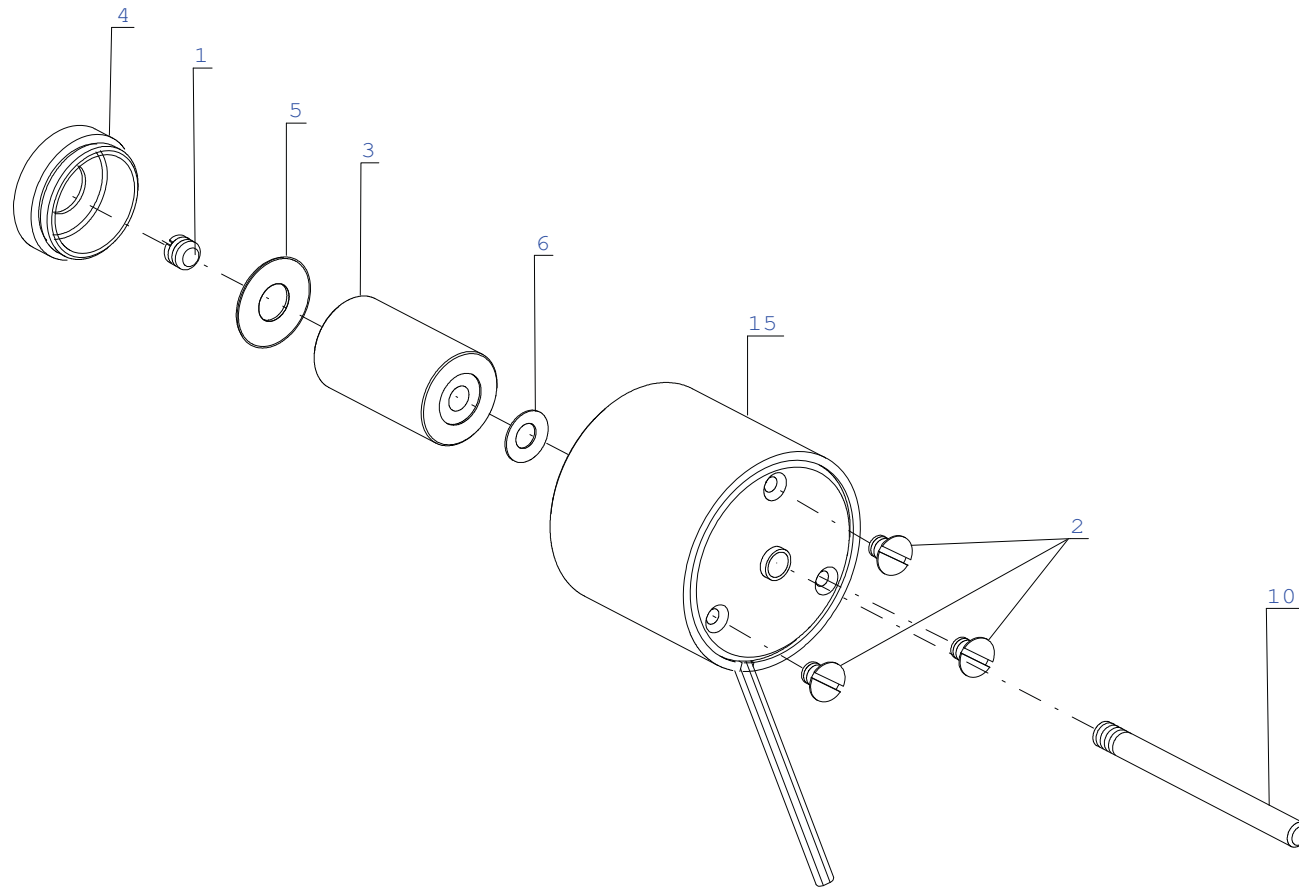


* SPARE PARTS SUPPLIED WITH THE MACHINE

M 816

Pos. Det.	Dílec č. Part No.	Název	Denomination
1	S981 008816	MALÝ CHAPAČ	SMALL HOOK
2	S080 679010	UVOLŇOVACÍ HÁK	RELEASING HOOK
3	S080 681046	PŘÍLOŽKA	SPLICE
4	0992 016580	ŠROUB	SCREW
5		VIZ POS. 1	SEE 1
6	S080 685058	CÍVKA	BOBBIN
7		VIZ POS. 1	SEE 1
8		VIZ POS. 1	SEE 1
10	S981 081167	POUZDRO CÍVKY ÚPLNÉ	BOBBIN CASE CPL.
15	S080 683051	ŠROUB	SCREW
17	S315 262085	PRUŽINA	SPRING
18	S080 690041	PERKO	SPRING
20	S080 683078	ŠROUB	SCREW
21		VIZ POS. 10	SEE 10
23	S981 081168	TĚLESO CHAPAČE ÚPLNÉ	BODY OF HOOK CPL.
24		VIZ POS. 23	SEE 23
25	S080 680047	CHRÁNÍCÍ PLECH	PROTECTING SHEET
26	S080 126115	ŠROUB	SCREW

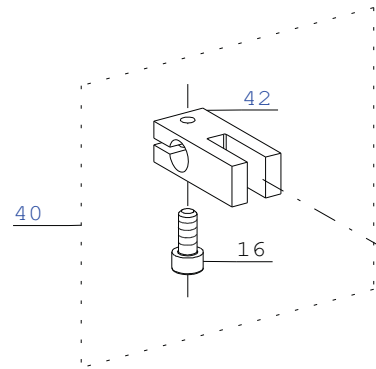
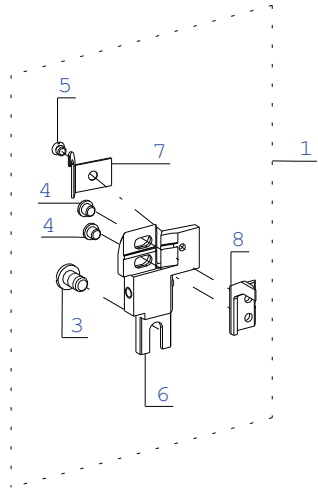
Pos. Det.	Dílec č. Part No.	Název	Denomination
--------------	----------------------	-------	--------------



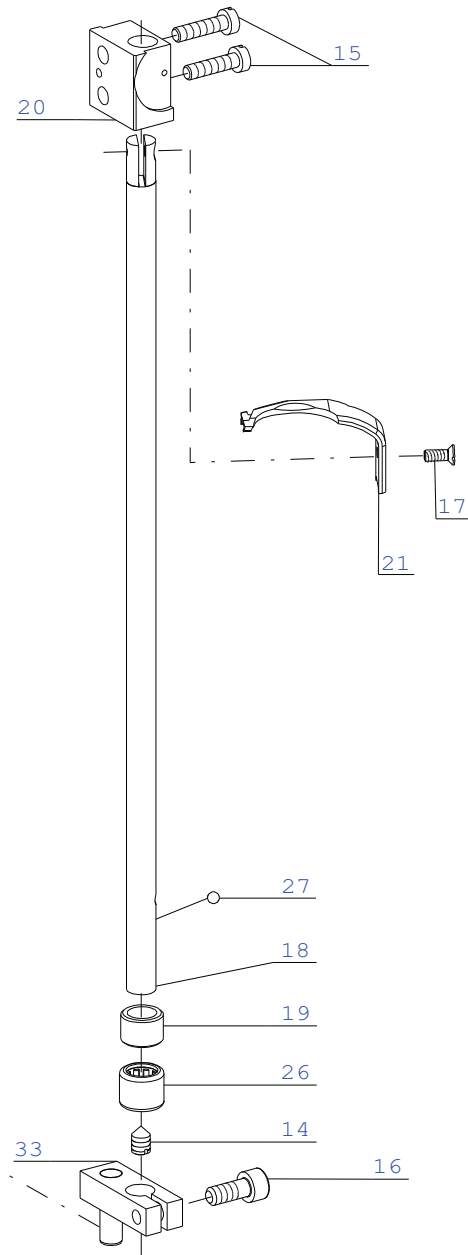
M 552

Pos. Det.	Dílec č. Part No.	Název	Denomination
1	S080 111300	ŠROUB	SCREW
2	S080 126182	ŠROUB	SCREW
3	S080 441708	JÁDRO	CORE
4	S080 441709	KRYT	COVER
5	S080 943212	PODLOŽKA	WASHER
6	S080 168006	PRUŽNÁ PODLOŽKA	SPRINGY WASHER
10	S980 027600	TYČ ÚPLNÁ	BAR CPL.
15	S980 094081	MAGNET	ELECTROMAGNET

Pos. Det.	Dílec č. Part No.	Název	Denomination
--------------	----------------------	-------	--------------



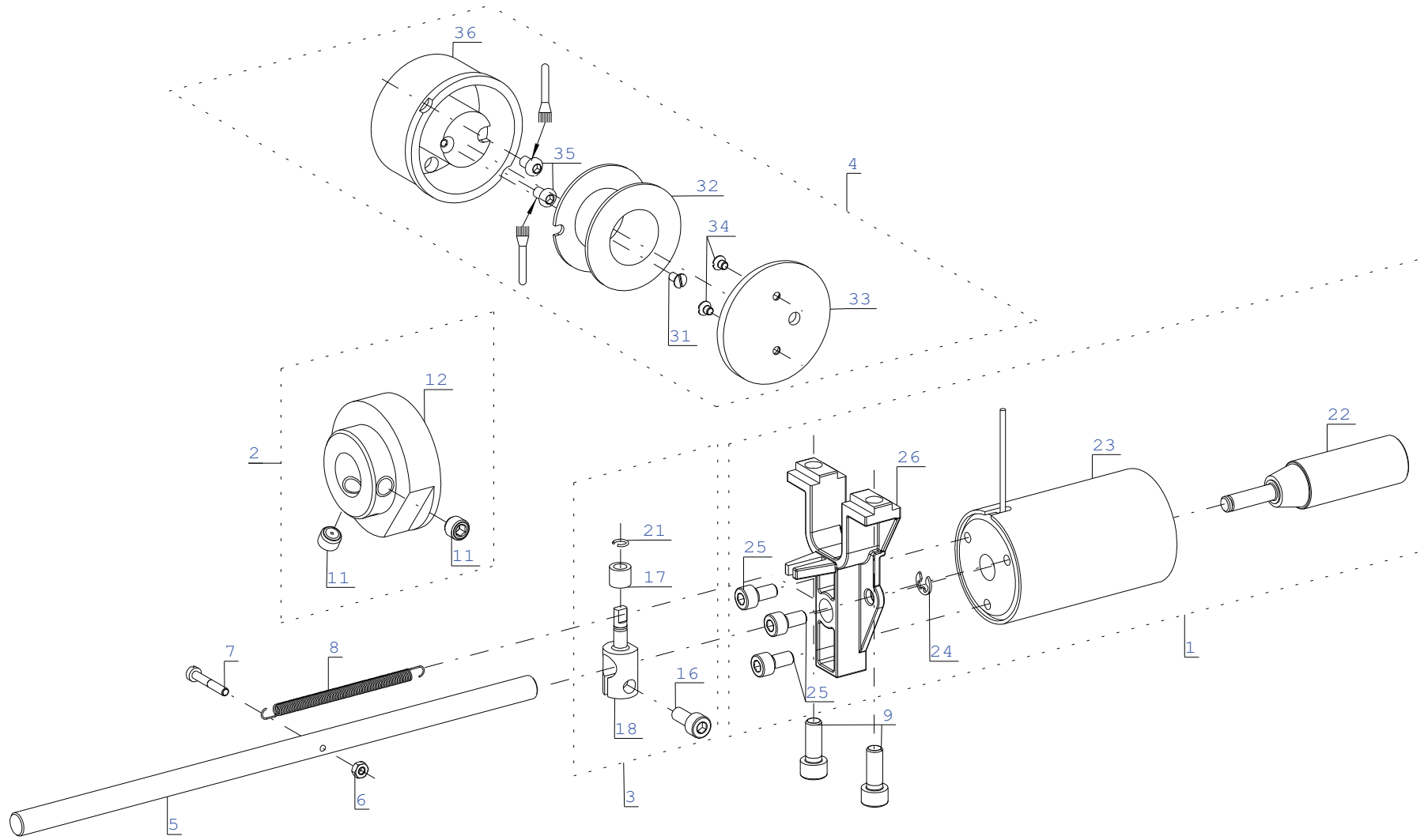
13



M 090

Pos. Det.	Dílec č. Part No.	Název	Denomination
.....	S980 000090	ODSTŘIH NITÍ	THREAD TRIMMER
1	S981 026193	NUŽ ÚPLNÝ	KNIFE CPL.
3	S080 132112	ŠROUB	SCREW
4	S080 152118	ŠROUB M3 x 5	SCREW M3 x 5
5	S080 683083	ŠROUB	SCREW
6	S080 815288	DRŽÁK	HOLDER
7	S080 818717	PRUŽINA	SPRING
8	S080 870223	PEVNÝ NUŽ	STRONG KNIFE
13	S981 026192	ODSTŘIH NITÍ	THREAD TRIMMER
14	S080 112088	ŠROUB M5 x 8	SCREW M5 x 8
15	S080 120267	ŠROUB M4 x 16	SCREW M4 x 16
16	S080 120293	ŠROUB M5 x 12	SCREW M5 x 12
17	S080 126183	ŠROUB M3 x 8	SCREW M3 x 8
18	S080 344104	HŘÍDEL ODSTŘIHU	SHAFT OF THREAD TRIMMER
19	S080 418186	STAVĚCÍ KROUŽEK	REGULATING RING
20	S080 646471	KOSTKA	BLOCK
21	S080 870234	NUŽ ODSTŘIHU PRO MALÝ CHAPAČ	KNIFE OF THREAD TRIMMER FOR SMALL HOOK
26	S324 810110	LOŽISKO	BEARING
27	S324 052018	KULIČKA 1/8-40	BALL 1/8-40
33	S980 060188	DRŽÁK ÚPLNÝ	HOLDER CPL.
40	S981 060196	VIDLICE ÚPLNÁ	PLUG CPL.
42	S080 613583	VIDLICE	PLUG

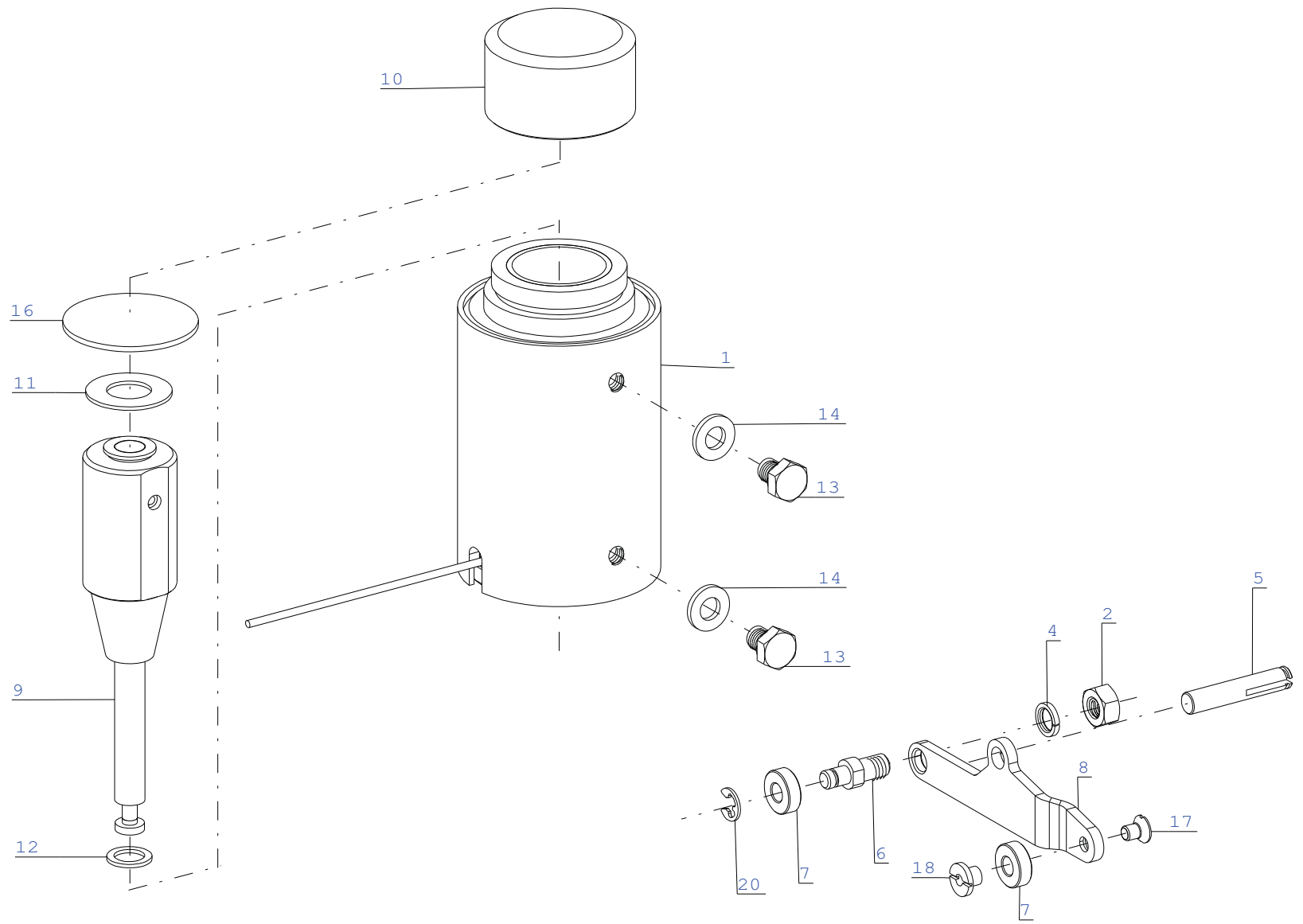
Pos. Det.	Dílec č. Part No.	Název	Denomination
--------------	----------------------	-------	--------------



M 519

Pos. Det.	Dílec č. Part No.	Název	Denomination
	S980 000519	POHON ODSTŘIHU NITI	THREAD TRIMMER DRIVE
1	S981 094079	ELEKTROMAGNET ÚPLNÝ	ELECTROMAGNET CPL.
2	S981 045575	VÁČKA ÚPLNÁ	CAM CPL.
3	S981 060190	KLADKA ÚPLNÁ	ROLLER CPL.
4	S981 094080	ELEKTROMAGNET ÚPLNÝ	ELECTROMAGNET CPL.
5	S080 341253	VODÍČÍ TYČ	GUIDING BAR
6	S080 161145	MATICE M3	NUT M3
7	S080 120373	ŠROUB	SCREW
8	S080 263277	PRUŽINA ODSTŘIHU	SPRING OF THREAD TRIMMING
9	S080 120441	ŠROUB	SCREW
11	S080 111376	ŠROUB	SCREW
12		VIZ POS. 2	SEE 2
16	S080 120293	ŠROUB M5 x 12	SCREW M5 x 12
17		VIZ POS. 3	SEE 3
18		VIZ POS. 3	SEE 3
21	S311 732005	POJ. KROUŽEK	RETAINING RING
22	S980 027598	JÁDRO ÚPLNÉ	CORE CPL.
23	S980 094011	ELEKTROMAGNET	ELECTROMAGNET
24	S311 732040	POJ. KROUŽEK	RETAINING RING
25	9202 002467	ŠROUB	SCREW
26		VIZ POS. 1	SEE 1
31	S080 126065	ŠROUB	SCREW
32	S980 094061	CÍVKA ÚPLNÁ	INDUCTION COIL CPL.
33	S080 814485	PŘÍRUBA	FLANGE
34	9203 313022	ŠROUB	SCREW
35	9217 300518	ŠROUB	SCREW
36	S080 441689	TĚLESO MAGNETU	BODY OF ELECTROMAGNET

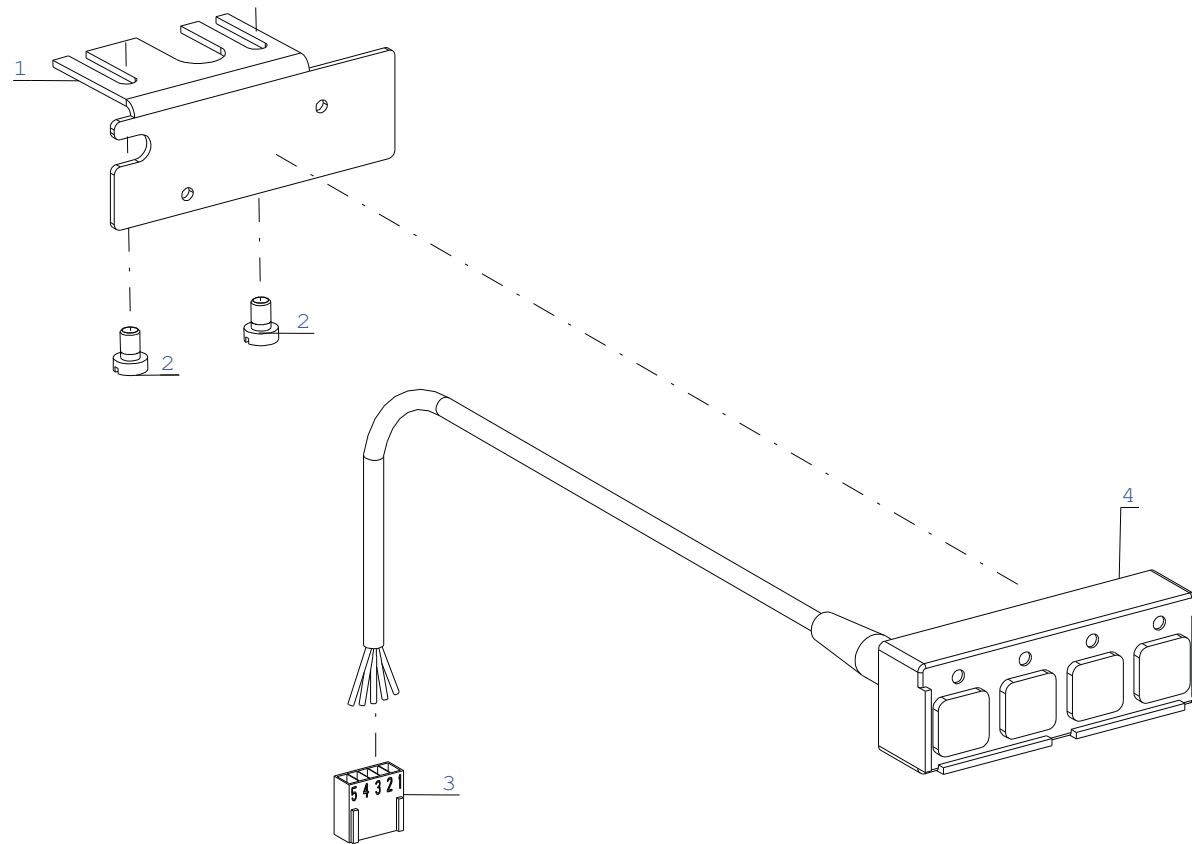
Pos. Det.	Dílec č. Part No.	Název	Denomination
--------------	----------------------	-------	--------------



M 249

Pos. Det.	Dílec č. Part No.	Název	Denomination
.....	S980 000249	ELEKTROMAGNETICKÉ ZPÁTKOVÁNÍ	EMG BACKTACKING
1	VIZ S980 000249	VIZ S980 000249	SEE S980 000249
2	S080 161142	MATICE M6	NUT M6
4	S080 191108	PODLOŽKA	WASHER
5	S080 318234	ČEP	PIN
6	VIZ S980 000249	VIZ S980 000249	SEE S980 000249
7	S080 418184	KLADKA	ROLLER
8	VIZ S980 000249	VIZ S980 000249	SEE S980 000249
9	VIZ S980 000249	VIZ S980 000249	SEE S980 000249
10	VIZ S980 000249	VIZ S980 000249	SEE S980 000249
11	S080 943212	PODLOŽKA	WASHER
12	S080 190675	PODLOŽKA	WASHER
13	S080 141111	ŠROUB M6 x 8	SCREW M6 x 8
14	S080 190346	PODLOŽKA 6,4	WASHER 6.4
16	VIZ S980 000249	VIZ S980 000249	SEE S980 000249
17	S080 123117	ŠROUB	SCREW
18	S080 425327	POUZDRO	CASE
20	S311 732040	POJ. KROUŽEK	RETAINING RING

Pos. Det.	Dílec č. Part No.	Název	Denomination
--------------	----------------------	-------	--------------

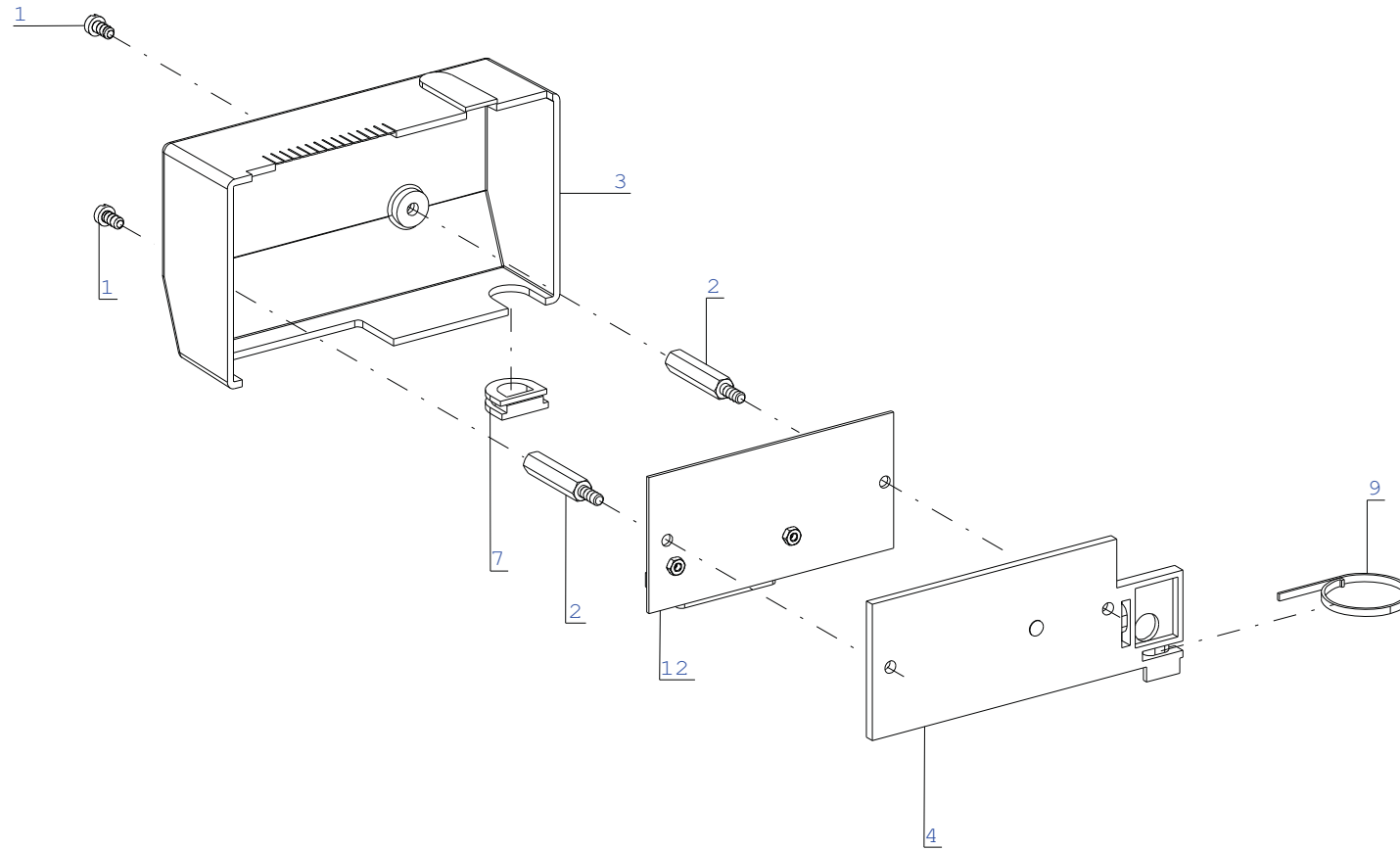


1	Ž LUT Á	YELLOW
2	ZELEN Á	GREEN
3	HN Ě D Á	BROWN
4	B Í L Á	WHITE
5	Š ED Á	GREY

M 521

Pos. Det.	Dílec č. Part No.	Název	Denomination
.....	S980 000521	TLAČÍTKOVÝ PANEĽ	PUSH-BUTTON PANEL
1	S080 839346	DRŽÁK	HOLDER
2	S309 738406	ŠROUB	SCREW
3	VIZ S980 000521	VIZ S980 000521	SEE S980 000521
4	9880 003000	TLAČÍTKO	PRESS BUTTON

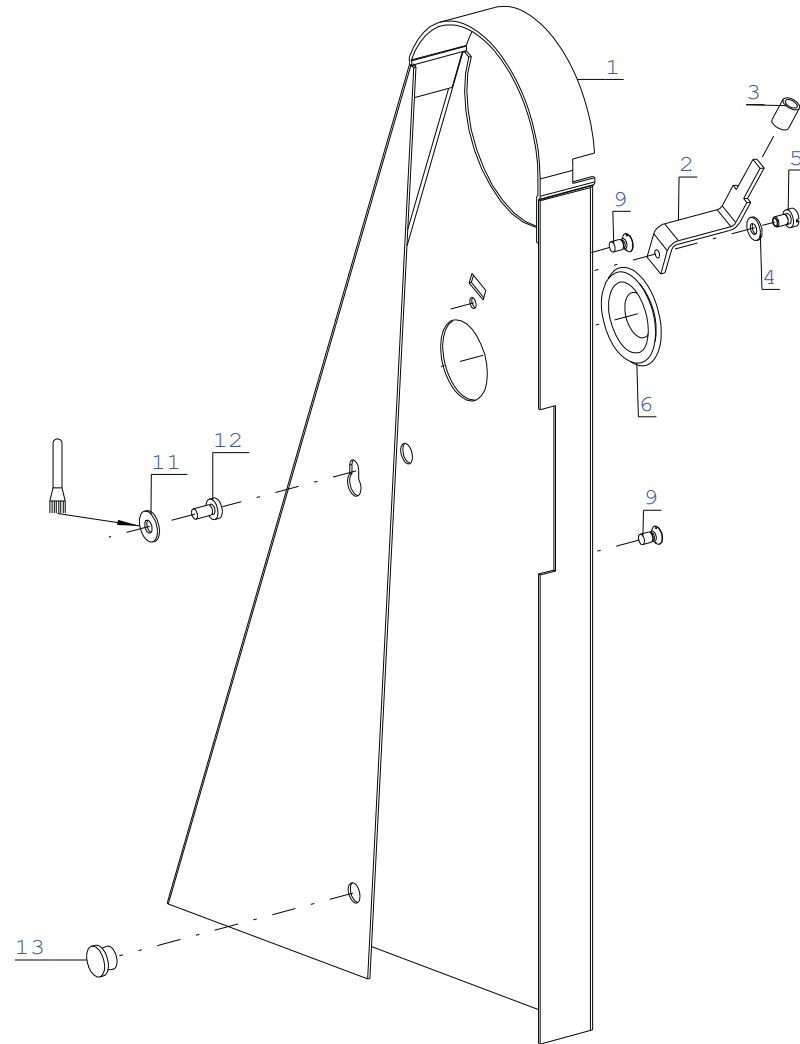
Pos. Det.	Dílec č. Part No.	Název	Denomination
--------------	----------------------	-------	--------------



M 008

Pos. Det.	Dílec č. Part No.	Název	Denomination
.....	S980 000008	ELEKTRICKÝ ROZVADĚČ	ELECTRICAL SWITCH BOARD
1	S080 120410	ŠROUB M4 x 8	SCREW M4 x 8
2	S080 146060	ŠROUB	SCREW
3	S321 952449	KRYT	COVER
4	S321 952451	PODLOŽKA	WASHER
7	S273 940165	PRŮCHODKA	BUSHING
9	S562 411000	NG PÁSEK 2,5 x 135	NG BAND 2.5 x 135
12	S980 094029	DESKA ROZVODU	PLATE OF WIRING

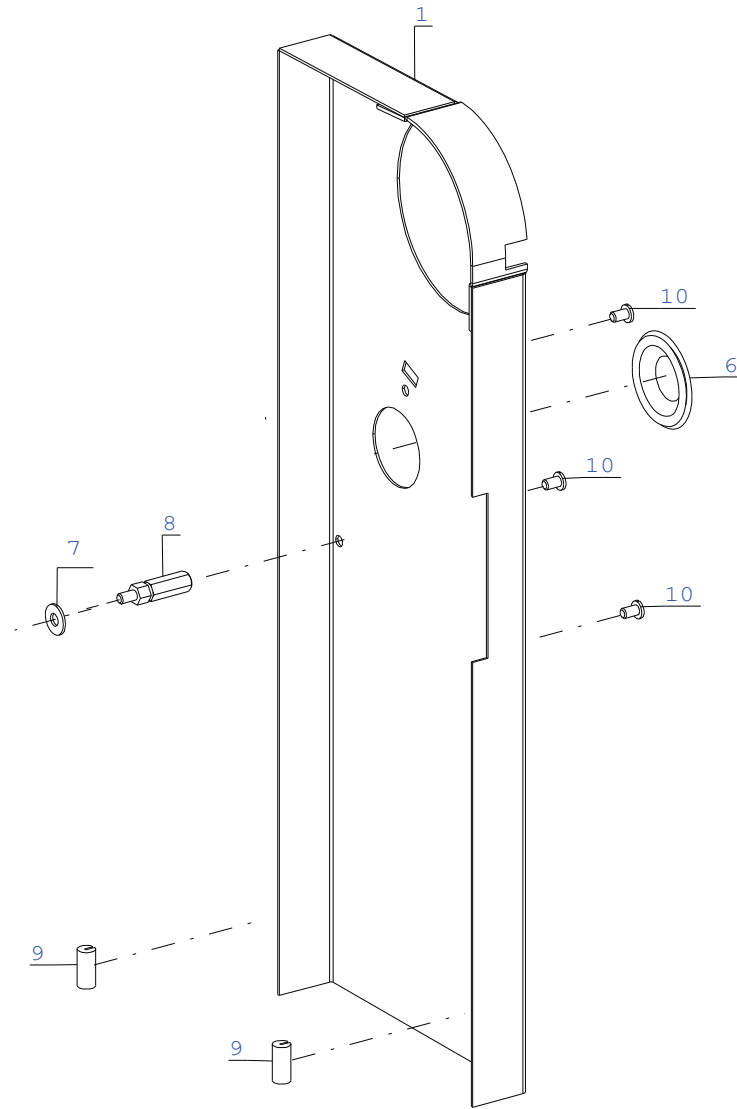
Pos. Det.	Dílec č. Part No.	Název	Denomination
--------------	----------------------	-------	--------------



M 264

Pos. Det.	Dílec č. Part No.	Název	Denomination
1	S980 057264	KRYT ŘEMENE	COVER OF BELT
2	S080 839323	ZARÁŽKA	STOPMOTION
3	S283 002001	HADIČKA PVC	HOSE PVC
4	S080 190369	PODLOŽKA 4,3	WASHER 4.3
5	S080 120409	ŠROUB M4 x 6	SCREW M4 x 6
6	S321 833821	ZASL. ZÁTKA 1833821	PLUG 1833821
9	S080 123117	ŠROUB	SCREW
11	S080 940179	PODLOŽKA	WASHER
12	S309 798408	ŠROUB M4 x 8	SCREW M4 x 8
13	S273 005001	VLOŽKA	INSERT

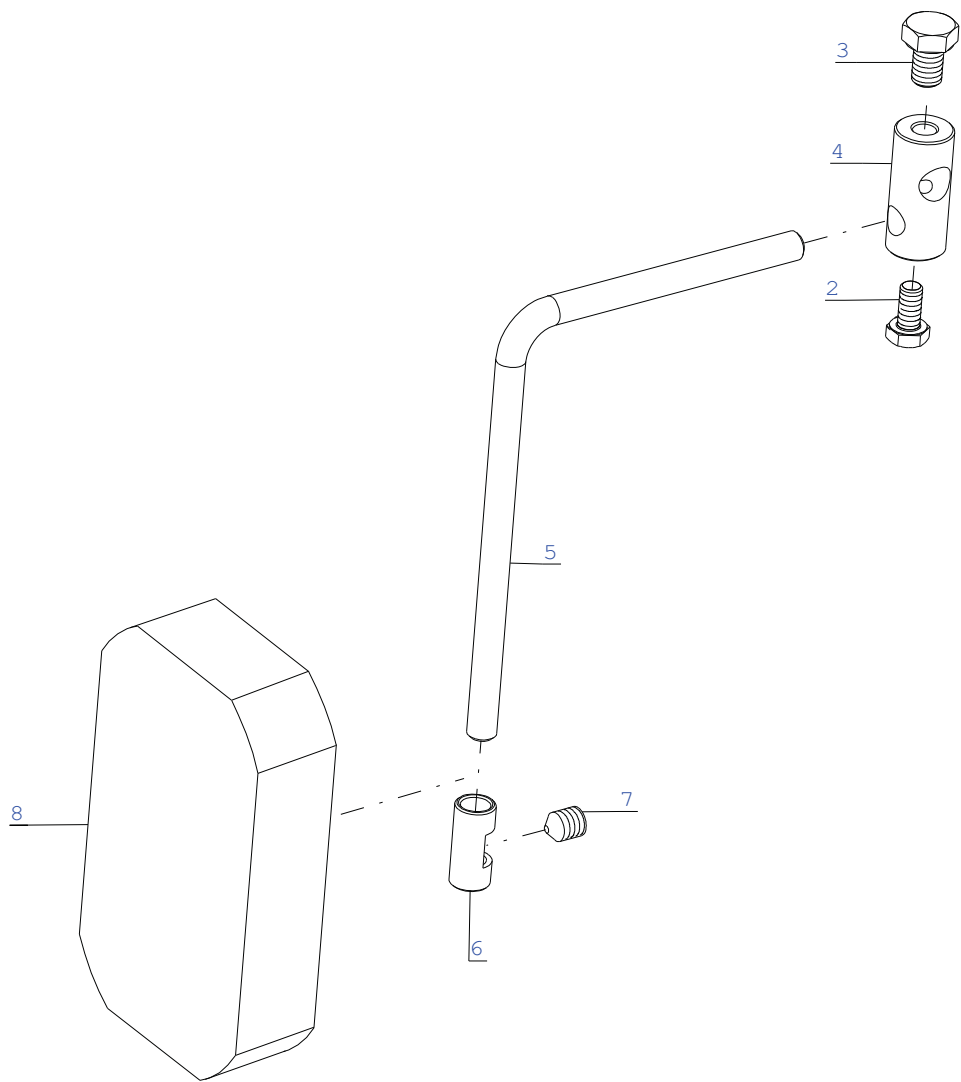
Pos. Det.	Dílec č. Part No.	Název	Denomination
--------------	----------------------	-------	--------------



M 266

Pos. Det.	Dílec č. Part No.	Název	Denomination
1	S980 057270	KRYT ÚPLNÝ	COVER CPL.
6	S321 833821	ZÁTKA	PLUG
7	S080 191120	PODLOŽKA	WASHER
8	S080 146058	ŠROUB	SCREW
9	S080 940177	DORAZ	STOP
10	S080 123117	ŠROUB	SCREW

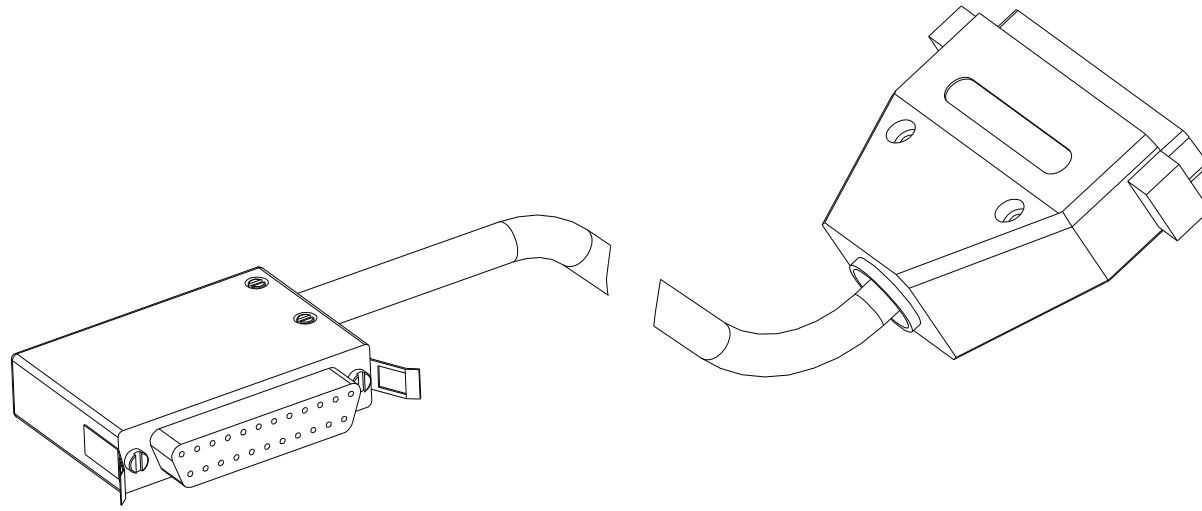
Pos. Det.	Dílec č. Part No.	Název	Denomination
--------------	----------------------	-------	--------------



M 070

Pos. Det.	Dílec č. Part No.	Název	Denomination
.....	S980 000070	KOLENNÍ PÁKA	KNEE LEVER
2.....	S080 141098	ŠROUB M6 x 12	SCREW M6 x 12
3.....	S080 141121	ŠROUB M8 x 12	SCREW M8 x 12
4.....	VIZ S980 000070	SEE S980 000070
5.....	VIZ S980 000070	SEE S980 000070
6.....	S080 416146	POUZDRO	CASE
7.....	9205 102788	ŠROUB	SCREW
8.....	0396 130013	OPÉRKA	CUSHION

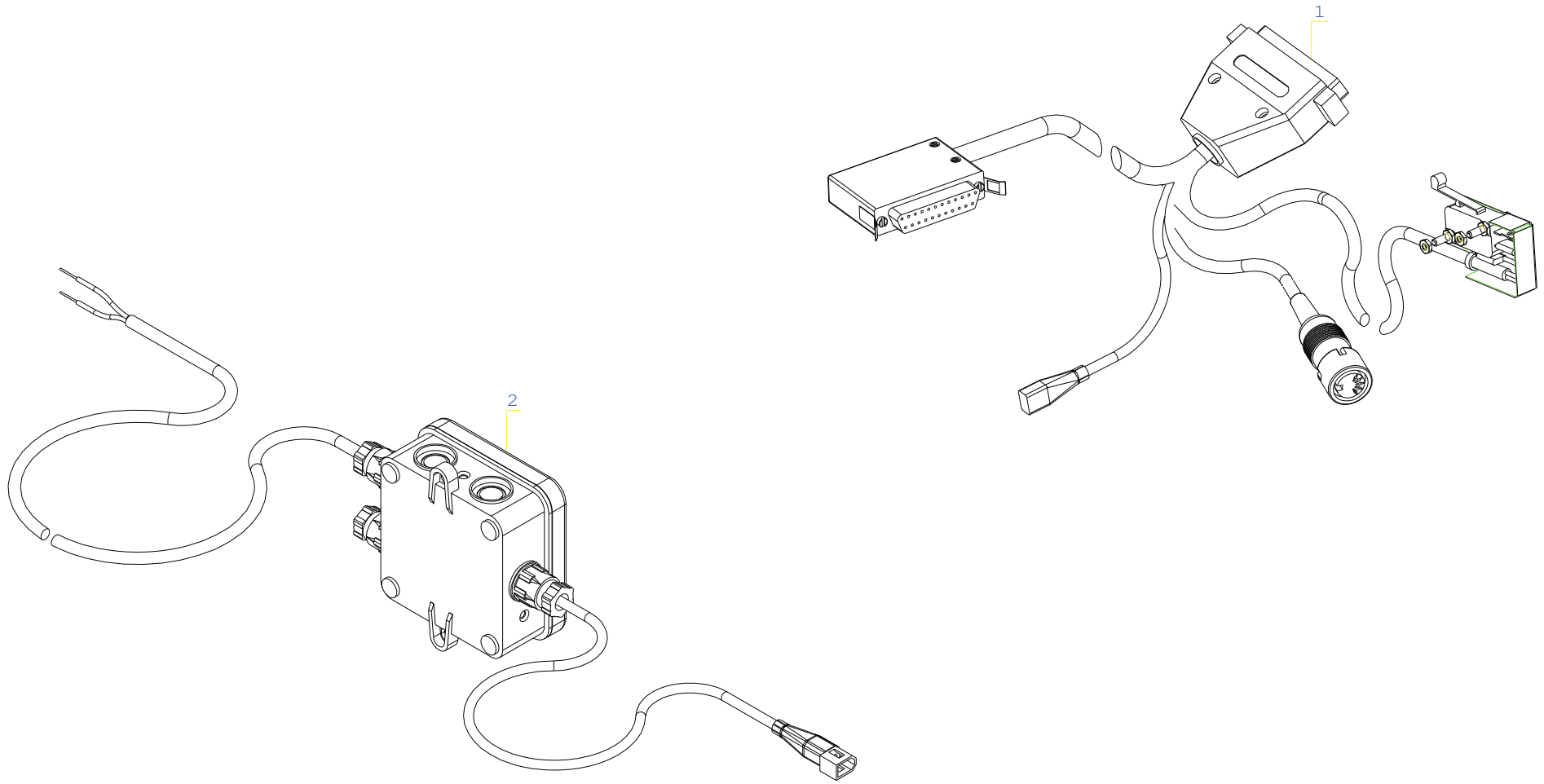
Pos. Det.	Dílec č. Part No.	Název	Denomination
--------------	----------------------	-------	--------------



M 163

Pos. Det.	Dílce č. Part No.	Název	Denomination
.....	S980 000163	PROPOJOVACÍ KABEL EFKA	CONNECTING CABLE EFKA

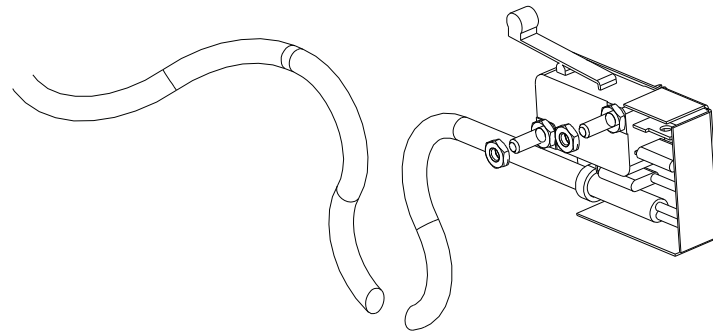
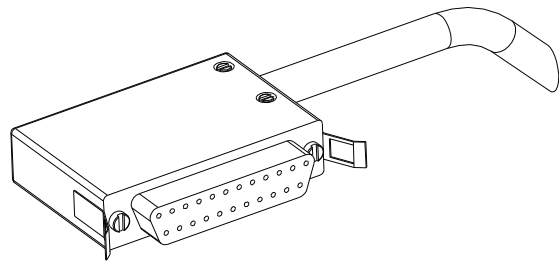
Pos. Det.	Dílce č. Part No.	Název	Denomination
--------------	----------------------	-------	--------------



M 302

Pos. Det.	Dílce č. Part No.	Název	Denomination
1	S980 094066	PROPOJOVACÍ KABEL	CONNECTING CABLE
2	S980 094070	ROZVOD	DISTRIBUTION BOX

Pos. Det.	Dílce č. Part No.	Název	Denomination
--------------	----------------------	-------	--------------

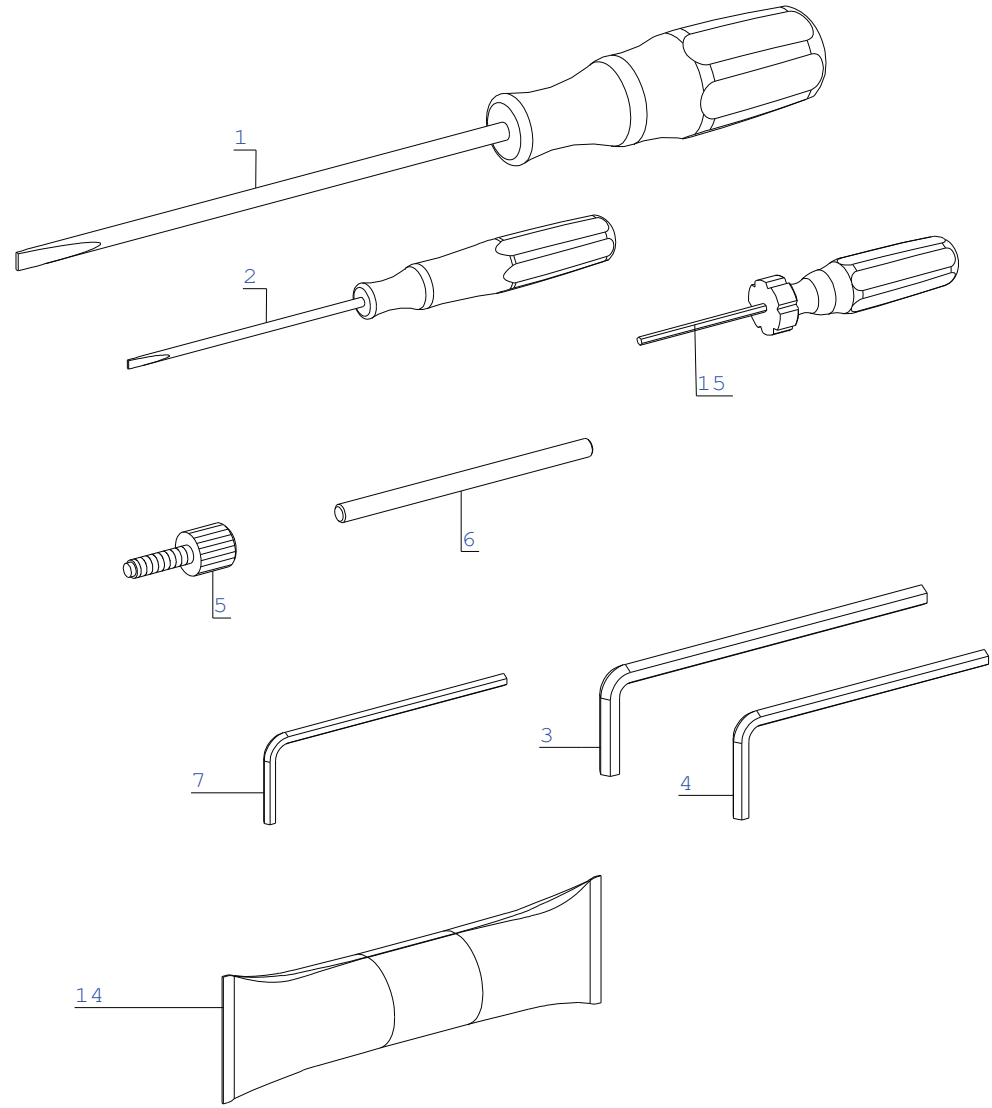
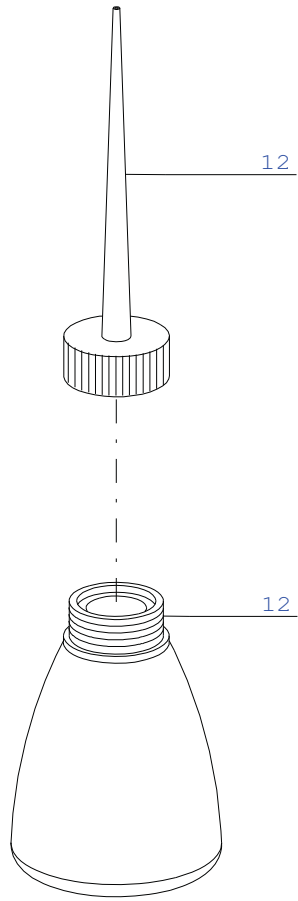
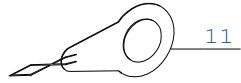


M 325

Pos. Det.	Dílce č. Part No.	Název	Denomination
--------------	----------------------	-------	--------------

..... S980 000325 PROPOJOVACÍ KABEL CONNECTING CABLE

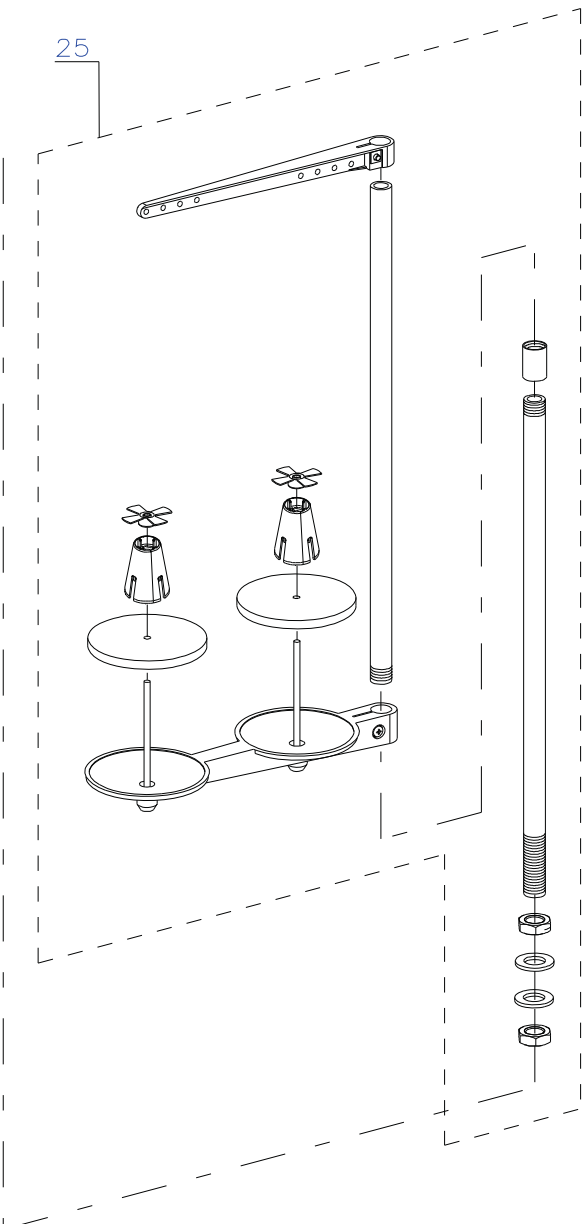
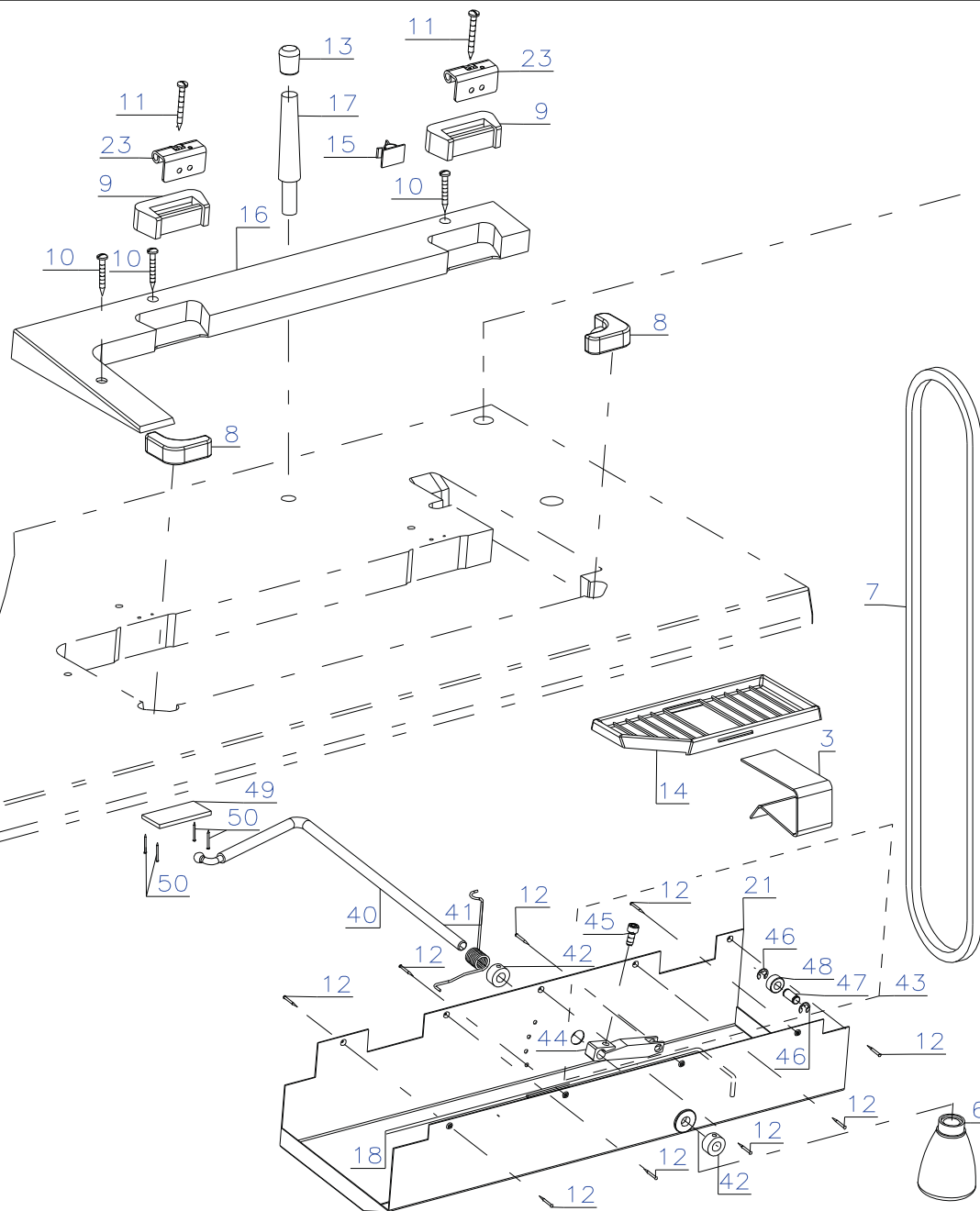
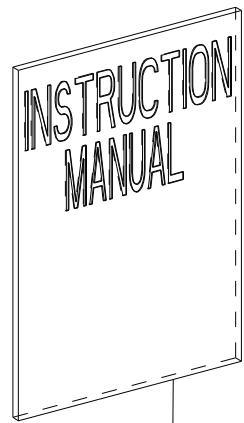
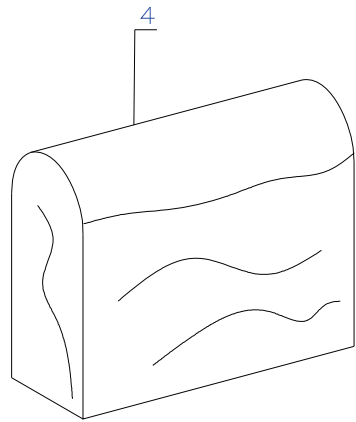
Pos. Det.	Dílce č. Part No.	Název	Denomination
--------------	----------------------	-------	--------------



M 015

Pos. Det.	Dílec č. Part No.	Název	Denomination
	S980 000015	STANDARDNÍ PŘÍSLUŠENSTVÍ	STANDARD ACCESSORIES
1	9081 500051	ŠROUBOVÁK	SCREWDRIVER
2	9081 500010	ŠROUBOVÁK	SCREWDRIVER
3	S413 000500	KLÍČ IMBUS 5	SPANNER IMBUS 5
4	S413 000400	KLÍČ IMBUS 4	SPANNER IMBUS 4
5	S080 133124	ARETAČNÍ ŠROUB	FIXING SCREW
6	S080 310470	NAŠTAVOVACÍ KOLÍK	SETTING PIN
7	S413 000500	KLÍČ IMBUS 3	SPANNER IMBUS 3
11	S548 001000	NAVLEKAČ NITÍ	THREADING OF THREAD
12	0052 000369	OLEJNÍČKA	OIL CAN
14	0211 000699	MAZACÍ OLEJ	OIL
15	9081 100251	ŠROUBOVÁK	SCREWDRIVER

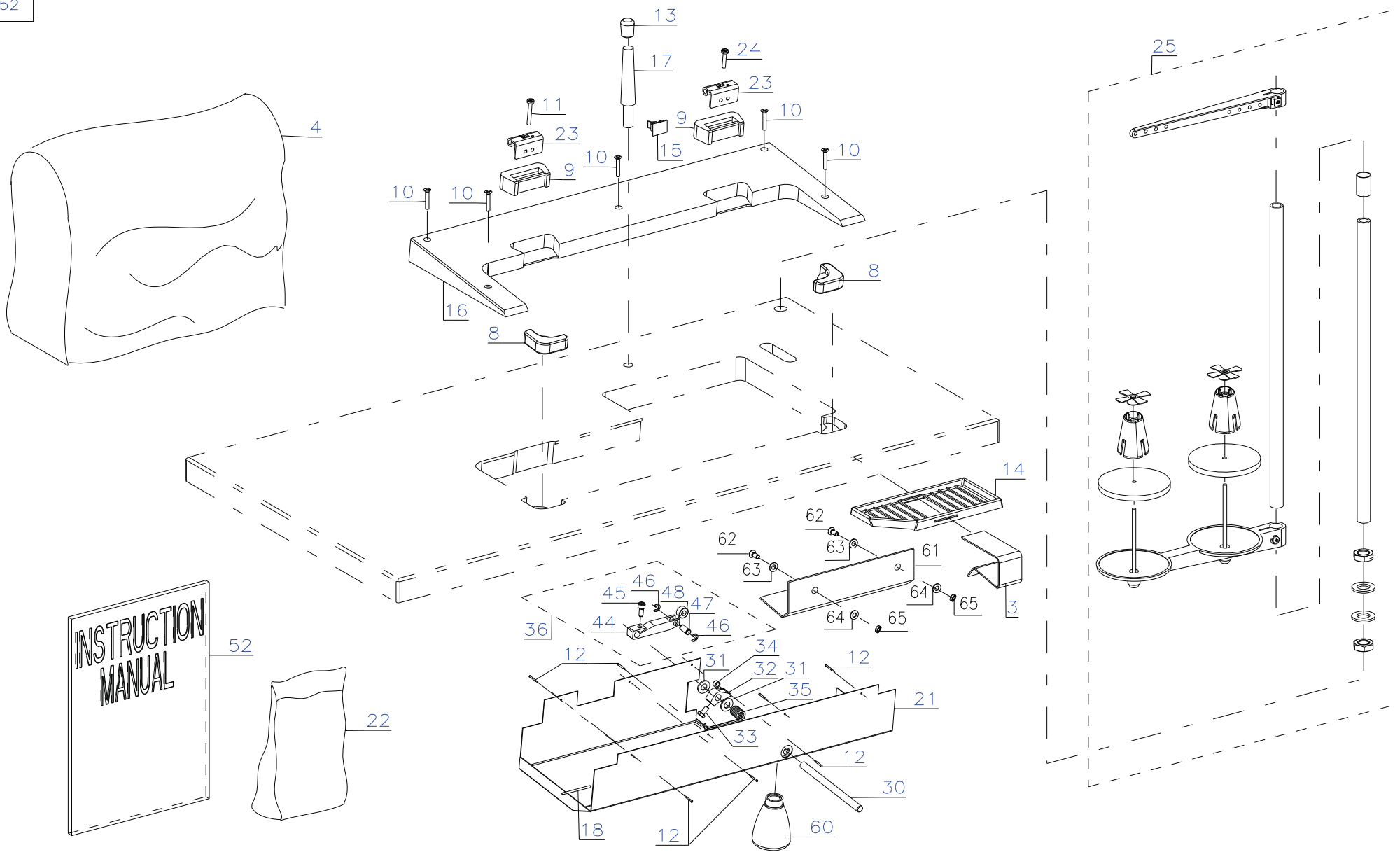
Pos. Det.	Dílec č. Part No.	Název	Denomination
--------------	----------------------	-------	--------------



M 176

Pos. Det.	Dílec č. Part No.	Název	Denomination
3	S080 826387	PŘÍCHYTKA	CLIP
4	0104 250010	KRYT	COVER
7	S272 226001	KLÍNOVÝ ŘEMEN	V-BELT
8	0907 010050	VLOŽKA	INSERT
9	S273 940127	VLOŽKA	INSERT
10	S311 400030	VRUT 5 x 30	SCREW 5 x 30
11	S311 400040	VRUT 5 x 40	SCREW 5 x 40
12	9840 123002	HŘEB 2 x 23	NAIL 2 x 23
13	S321 026000	ČEPIČKA 16 x 26	CAP 16 x 26
14	S321 953251	MISKA	DISH
15	S345 172000	KABEL. PŘÍCHYTKA	CABLE CLIP
16	S615 912025	KLÍN	WEDGE
17	S615 932046	KOLÍK	PIN
18	S708 130003	KNOT MAZACÍ	WICK LUBRICATING
21	S980 057265	OLEJOVÁ VANA S POUZDRY	OIL TRAY WITH BUSHINGS
23	S980 060198	ZÁVĚS ÚPLNÝ	HANGER CPL.
25	S981 036162	NIŤ. STOJÁNEK PRO JEDNOJEHL.ST.	THREAD STAND FOR SINGLE-NEEDLE MACHINES
40	S080 383206	PÁKA	LEVER
41	S080 264330	PRUŽINA	SPRING
42	S980 052057	STAVĚCÍ KROUŽEK	REGULATING RING
43	S981 027603	PÁKA ÚPLNÁ	LEVER CPL.
44		VIZ POS. 43	SEE 43
45	S080 120295	ŠROUB	SCREW
46	S311 732060	POJ. KROUŽEK	RETAINING RING
47		VIZ POS. 43	SEE 43
48		VIZ POS. 43	SEE 43
49	S080 941091	PODLOŽKA	WASHER
50	S314 016020	HŘEB 1,6 x 20	NAIL 1.6 x 20
52		DOKUMENTACE DLE TYPU STROJE	DOCUMENTATION OF THE MACHINE TYPE
60	0052 000369	OLEJNIČKA	OIL CAN

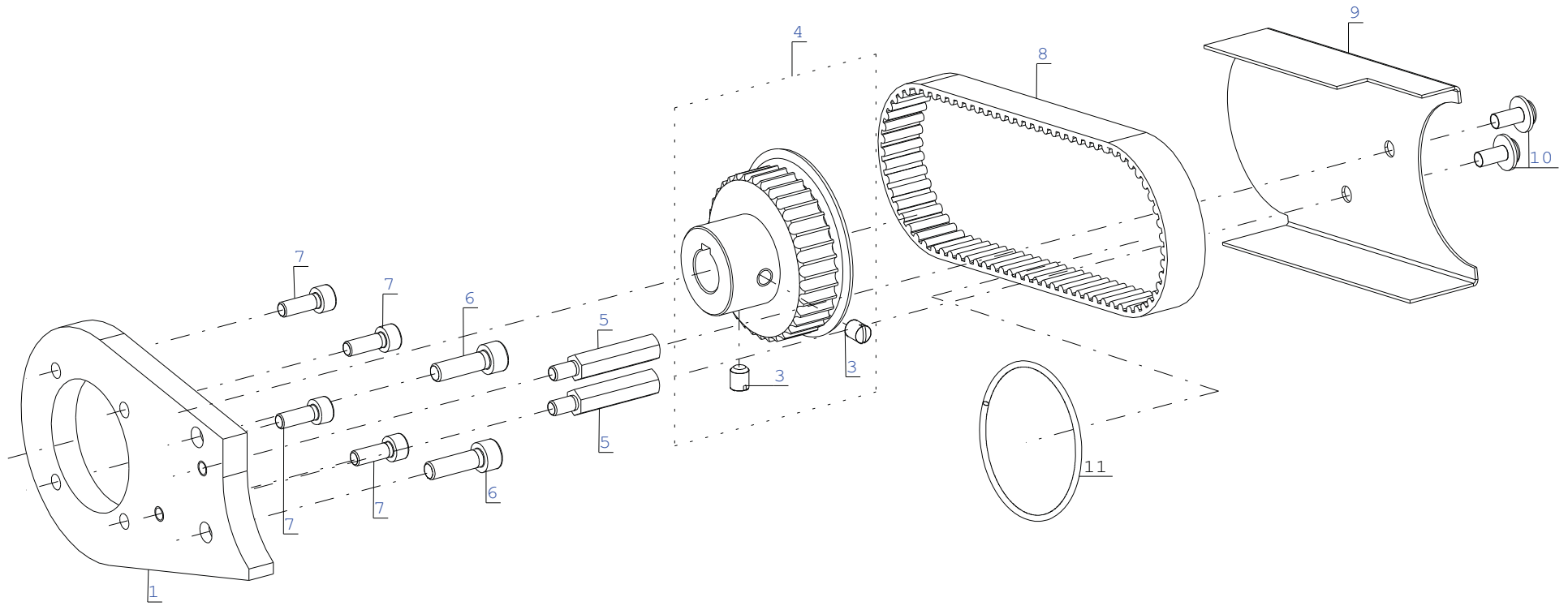
Pos. Det.	Dílec č. Part No.	Název	Denomination
--------------	----------------------	-------	--------------



M 252

Pos. Det.	Dílec č. Part No.	Název	Denomination
3	S080 826387	PŘÍCHYTKA	CLIP
4	0104 250010	KRYT	COVER
8	0907 010050	VLOŽKA	INSERT
9	S273 940127	VLOŽKA	INSERT
10	S311 400030	VRUT 5 x 30	SCREW 5 x 30
11	S311 400040	VRUT 5 x 40	SCREW 5 x 40
12	9840 123002	HŘEB	NAIL
13	S321 026000	ČEPIČKA 16 x 26	CAP 16 x 26
14	S321 953251	MISKA	DISH
15	S345 172000	KABEL. PŘÍCHYTKA	CABLE CLIP
16	S980 061238	KLÍN	WEDGE
17	S615 932046	KOLÍK	PIN
18	S708 130003	KNOT MAZACÍ	WICK LUBRICATING
21	S980 057274	OLEJOVÁ VANA ÚPLNÁ	OIL TRAY CPL.
22	S981 094058	ELEKTROINSTALAČNÍ MATERIÁL	MATERIAL OF EL.INSTALATION
23	S980 060198	ZÁVĚS ÚPLNÝ	HANGER CPL.
24	S309 798025	ŠROUB	SCREW
25	S981 036162	NIŤ. STOJÁNEK PRO JEDNOJEHL.ST.	THREAD STAND FOR SINGLE-NEEDLE MACHINES
30	S080 314210	HŘÍDEL	SHAFT
31	S080 941107	KROUŽEK	RING
32	S080 625022	NARÁŽKA	STOP
33	S080 141141	ŠROUB	SCREW
34	S283 068001	HADIČKA PVC	HOSE PVC
35	S315 264339	PRUŽINA	SPRING
36	S981 027603	PÁKA ÚPLNÁ	LEVER CPL.
44	S080 625186	PÁKA	LEVER
45	S080 120295	ŠROUB	SCREW
46	S311 732060	POJIŠŤOVACÍ KROUŽEK	RETAINING RING
47	S080 318238	ČEP	PIN
48	S080 418183	KLADKA	ROLLER
52		Dokumentace dle typu stroje	Documentation of the machine type
60	0052 000369	OLEJNÍČKA	OIL CAN
61	S080 831722	KRYT	COVER
62	9201 112877	ŠROUB	SCREW
63	9330 700107	PODLOŽKA	WASHER
64	9330 000098	PODLOŽKA	WASHER
65	9231 110108	MATICE	NUT

Pos. Det.	Dílec č. Part No.	Název	Denomination
--------------	----------------------	-------	--------------

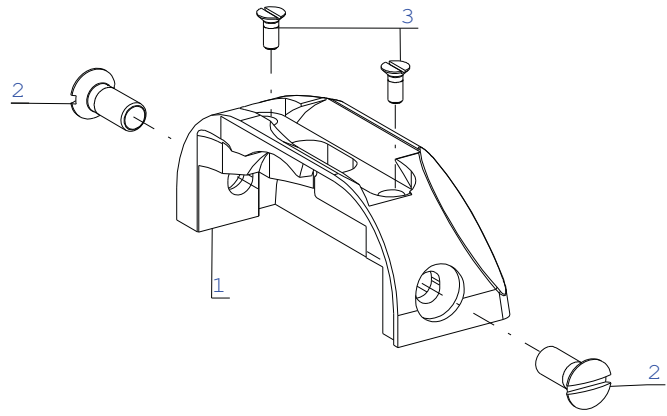


M 300

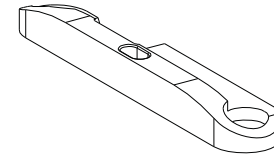
Pos. Det.	Dílec č. Part No.	Název	Denomination
1	S080 836488	DRŽÁK	HOLDER
3	S080 111236	ŠROUB	SCREW
4	S981 045566	ŘEMENICE ÚPLNÁ	PULLEY CPL.
5	S080 146064	ŠROUB	SCREW
6	9202 002908	ŠROUB	SCREW
7	S309 543512	ŠROUB	SCREW
8	S272 100519	OZUBENÝ ŘEMEN	TOOTHED BELT
9	S080 831710	KRYT	COVER
10	S309 000510	ŠROUB	SCREW
11	S080 274152	KROUŽEK	RING

Pos. Det.	Dílec č. Part No.	Název	Denomination
--------------	----------------------	-------	--------------

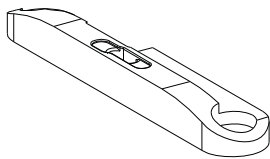
M 143



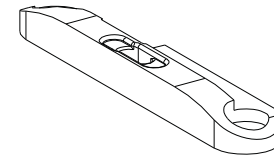
M 144



M 145



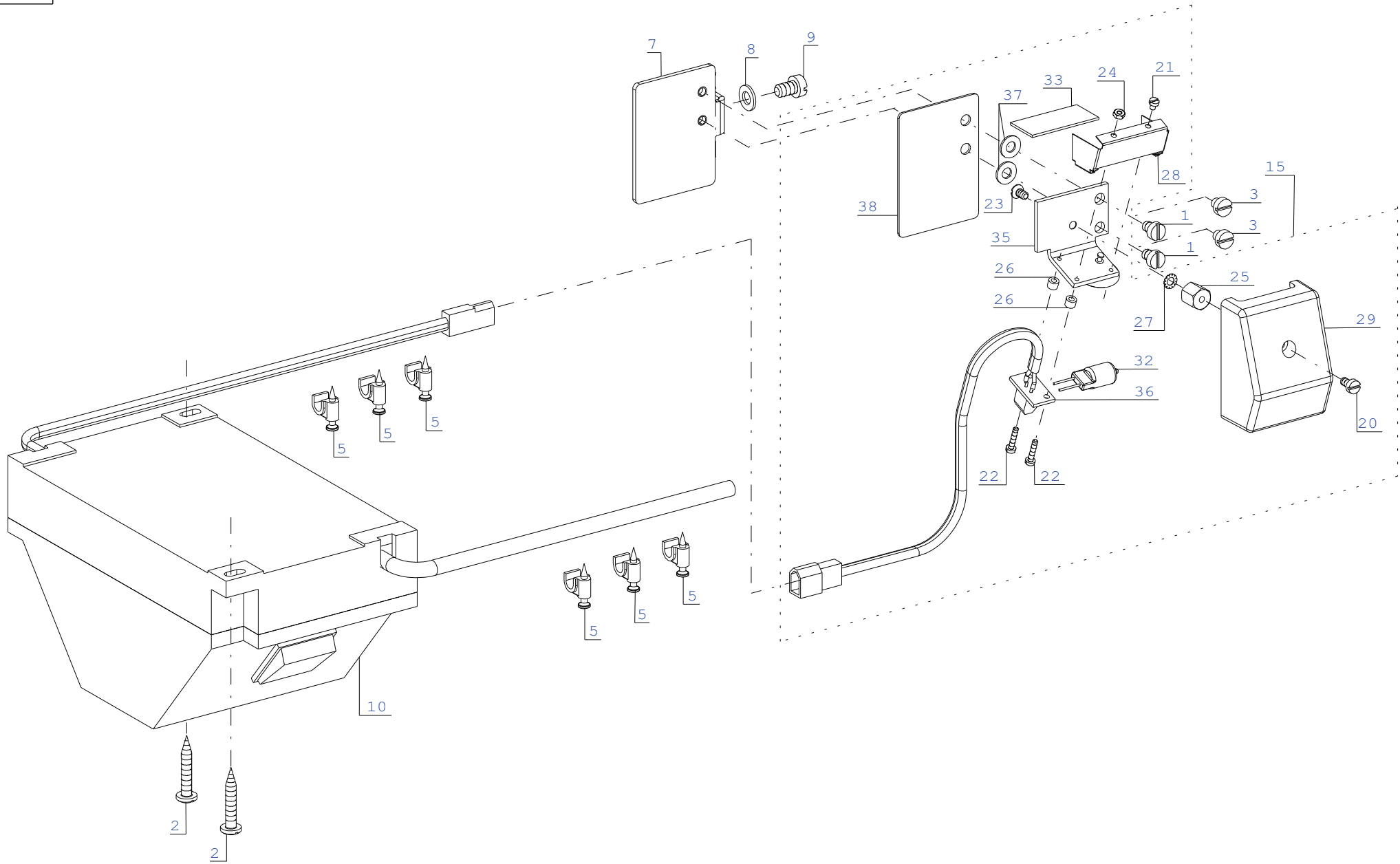
M 146



M 143 M 144 M 145 M 146

Pos. Det.	Dílec č. Part No.	Název	Denomination
M 143			
1	S080 811795	STEHOVÁ DESKA	THROAT PLATE
2	S080 123180	ŠROUB	SCREW
3	S080 126184	ŠROUB M2 x 5	SCREW M2 x 5
M 144			
1	S980 000144	JEHELNÍ VLOŽKA	INSERT FOR NEEDLE
M 145			
1	S980 000145	JEHELNÍ VLOŽKA	INSERT FOR NEEDLE
M 146			
1	S980 000146	JEHELNÍ VLOŽKA	INSERT FOR NEEDLE

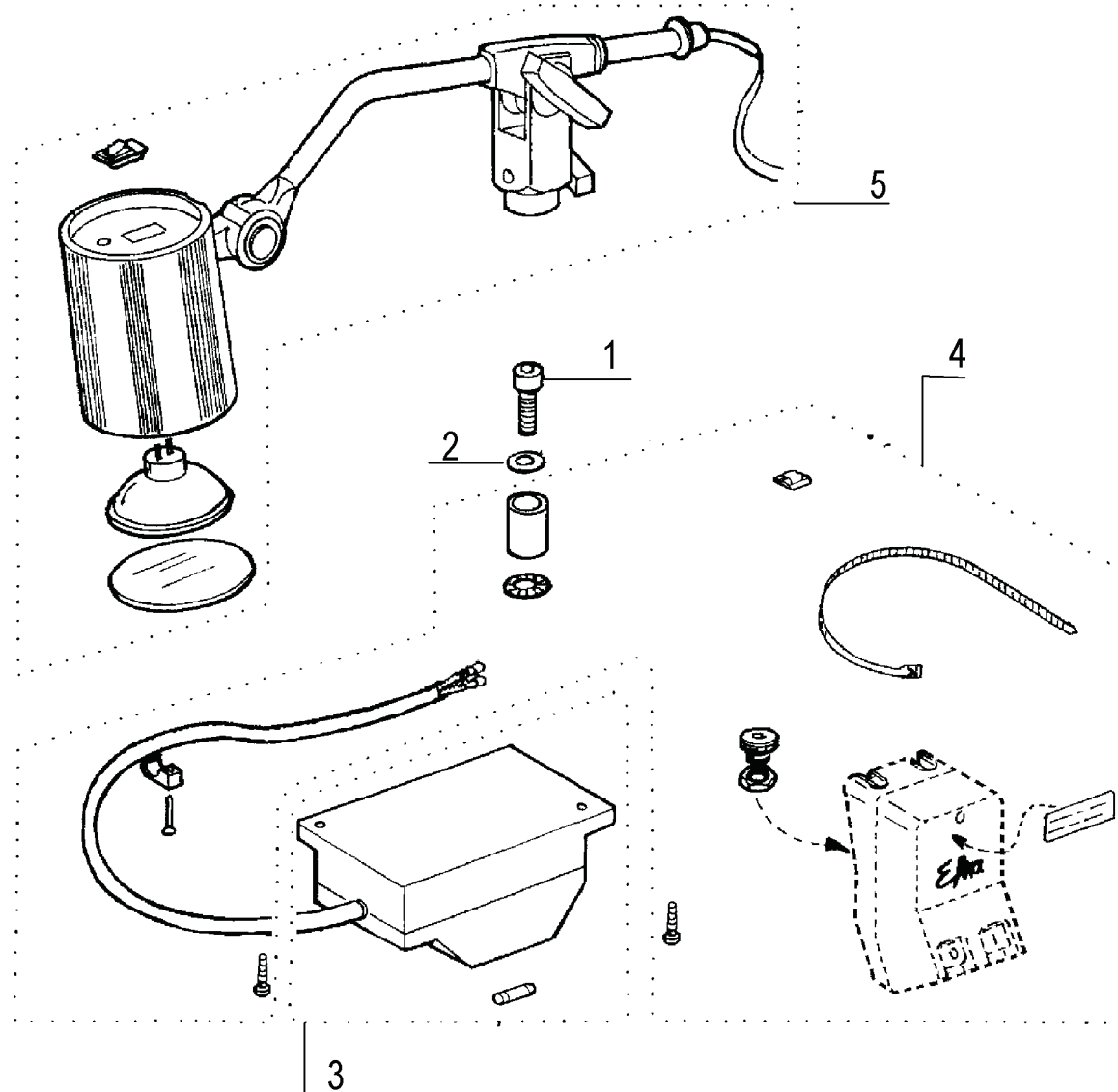
Pos. Det.	Dílec č. Part No.	Název	Denomination
--------------	----------------------	-------	--------------



M 010

Pos. Det.	Dílec č. Part No.	Název	Denomination
	S980 000010	OSVĚTLENÍ	LIGHTING
1	S080 120217	ŠROUB M4 x 6	SCREW M4 x 6
2	S311 400026	VRUT	SCREW
3	S080 120332	ŠROUB M4 x 4	SCREW M4 x 4
5	S345 012000	KABEL. PŘÍCHYTKA KPNC	CABLE CLIP
7	S080 839332	DRŽÁK SVĚTLA	HOLDER OF LIGHT
8	S080 190359	PODLOŽKA	WASHER
9	S080 120259	ŠROUB M5 x 8	SCREW M5 x 8
10	S980 094025	TRANSFORMÁTOR OSVĚTLENÍ	TRANSFORMER OF LIGHTING
15	S981 090091	SVĚTLO	LIGHT
20	S080 120245	ŠROUB M3 x 6	SCREW M3 x 6
21	S080 120339	ŠROUB M2 x 3	SCREW M2 x 3
22	S080 120363	ŠROUB M2 x 10	SCREW M2 x 10
23	S080 126065	ŠROUB M3 x 6	SCREW M3 x 6
24	S080 161201	MATICE	NUT
25		VIZ POS. 15	SEE 15
26		VIZ POS. 15	SEE 15
27		VIZ POS. 15	SEE 15
28		VIZ POS. 15	SEE 15
29	S321 952448	KRYT OSVĚTLENÍ	COVER OF LIGHTING
32	S347 064415	ŽÁROVKA 12V/10W	BULB 12V/10W
33	S632 953285	KRYCÍ SKLO	COVER GLASS
35		VIZ POS. 15	SEE 15
36	S980 094016	DRŽÁK ŽÁROVKY	HOLDER OF BULB
37	S080 190369	PODLOŽKA	WASHER
38	S080 815304	PODLOŽKA	WASHER

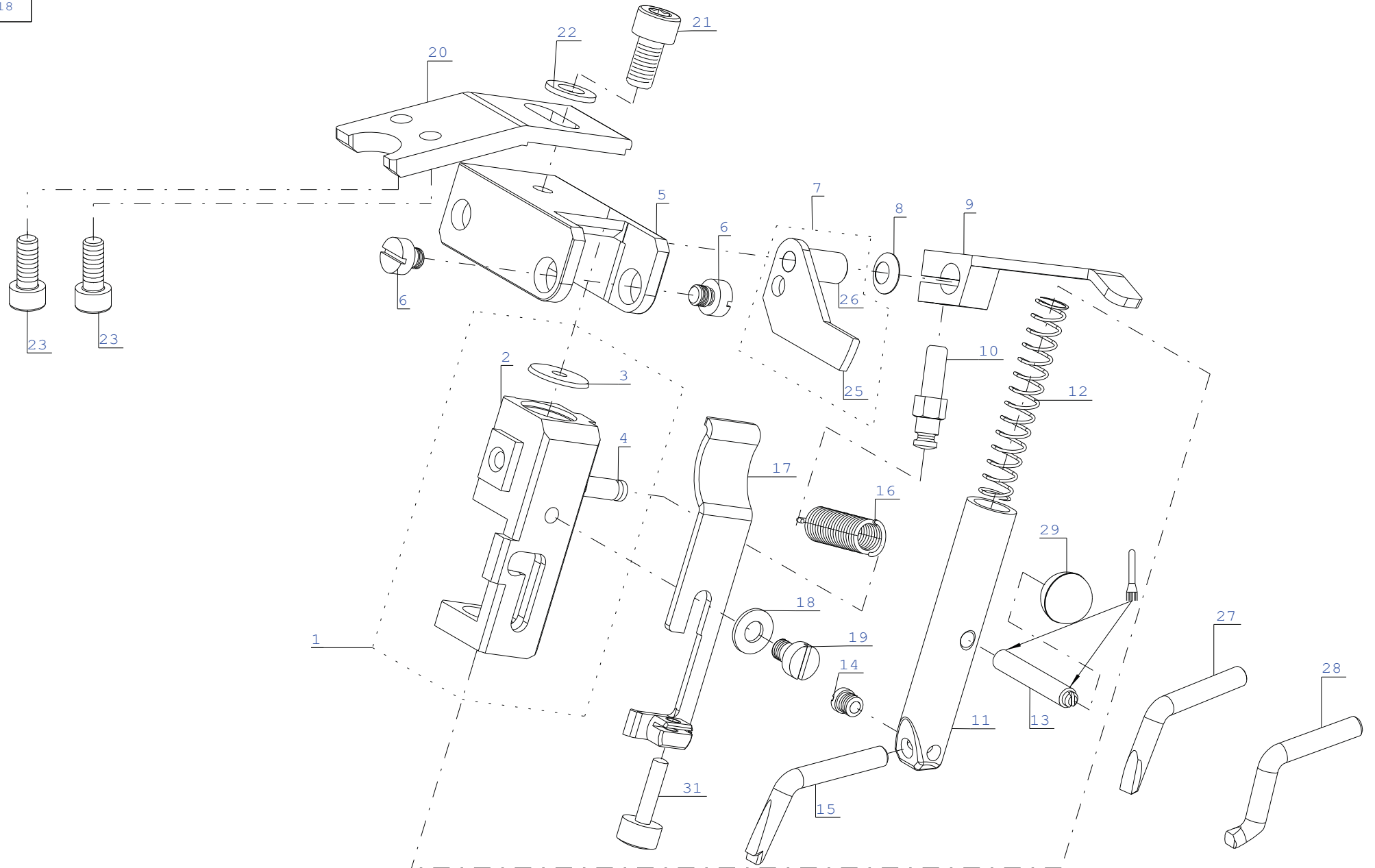
Pos. Det.	Dílec č. Part No.	Název	Denomination
--------------	----------------------	-------	--------------



Z 012

Pos. Det.	Dílec č. Part No.	Název	Denomination
.....	S794 222012	OSVĚTLENÍ HALOGEN	LIGHTING HALOGEN
1	S080 120692	ŠROUB	SCREW
2	S080 190346	PODLOŽKA	WASHER
3	0798 500088	TRANSFORMÁTOR OSVĚTLENÍ	TRANSFORMER OF LIGHTING
4	0907 487519	SADA DÍLCŮ	SET OF PARTS
5	9822 510001	OSVĚTLENÍ	LIGHT

Pos. Det.	Dílec č. Part No.	Název	Denomination
--------------	----------------------	-------	--------------



M 018

Pos. Det.	Dílec č. Part No.	Název	Denomination
	S980 000018	VODIČ DÍLA	SEWN WORK GUIDE
1	S980 052052	VEDENÍ ÚPLNÉ	GUIDANCE CPL.
2		VIZ POS. 1	SEE 1
3		VIZ POS. 1	SEE 1
4		VIZ POS. 1	SEE 1
5	S080 744535	NOSIČ	CARRIER
6	S080 110106	ČEP	PIN
7	S980 052053	PÁKA ÚPLNÁ	LEVER CPL.
8	S080 192065	PODLOŽKA	WASHER
9	S080 616046	PÁKA	LEVER
10	S080 332171	ŠROUB	SCREW
11	S080 318242	TYČ	BAR
12	S080 260607	PRUŽINA	SPRING
13	S080 115098	ČEP	PIN
14	S080 124051	ŠROUB	SCREW
15	S080 271529	VODIČ	GUIDE
16	S080 263278	PRUŽINA	SPRING
17	S980 047274	PÁKA ÚPLNÁ	LEVER CPL.
18	S080 190353	PODLOŽKA	WASHER
19	S309 912406	ŠROUB M4 x 6	SCREW M4 x 6
20	S080 826384	DRŽÁK	HOLDER
21	S309 912508	ŠROUB M5 x 8	SCREW M5 x 8
22	S080 190359	PODLOŽKA	WASHER
23	S309 912410	ŠROUB M4 x 10	SCREW M4 x 10
25		VIZ POS. 7	SEE 7
26		VIZ POS. 7	SEE 7
27	S080 271538	VODIČ	GUIDE
28	S080 271539	VODIČ	GUIDE
29	S321 010220	KOULE	BALL
31	S080 134028	DORAZOVÝ ŠROUB	SCREW

Pos. Det.	Dílec č. Part No.	Název	Denomination
--------------	----------------------	-------	--------------

M 020



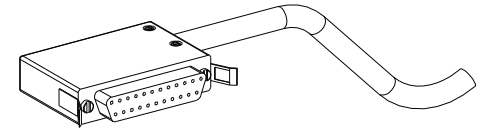
M 021



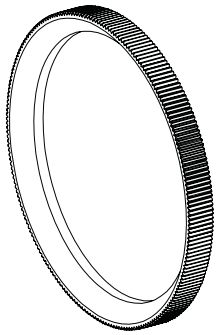
M 023



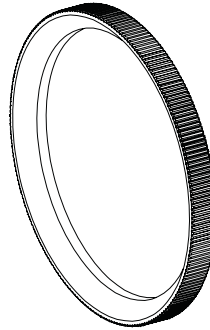
M 055



M 059



M 060



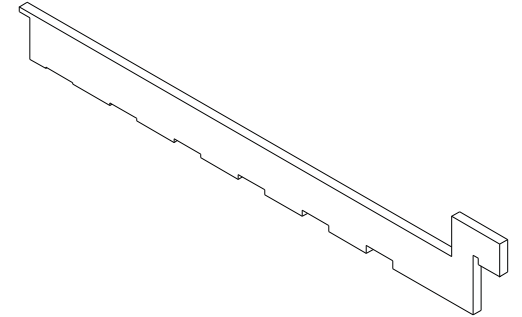
M 132



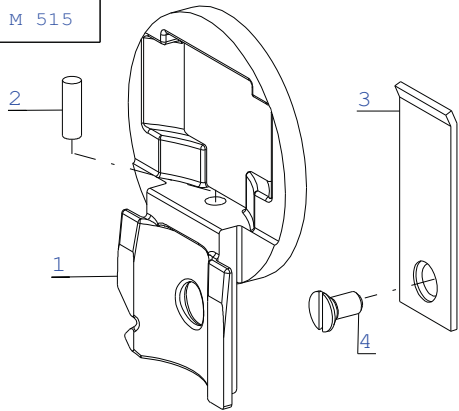
M 133



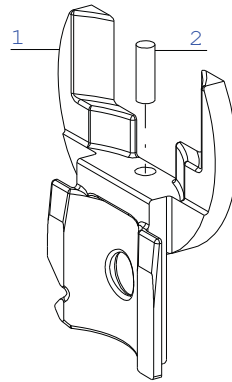
M 242



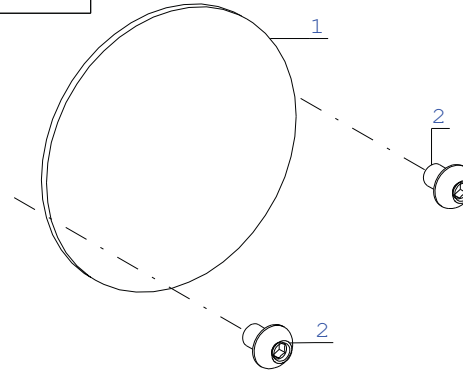
M 515



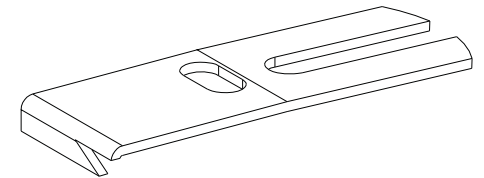
M 516



M 520




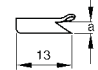


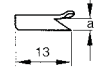


M 171



M 020 M 021 M 023 M 055 M 059 M 060 M 132 M 133 M 242 M 515 M 516 M 520 M171

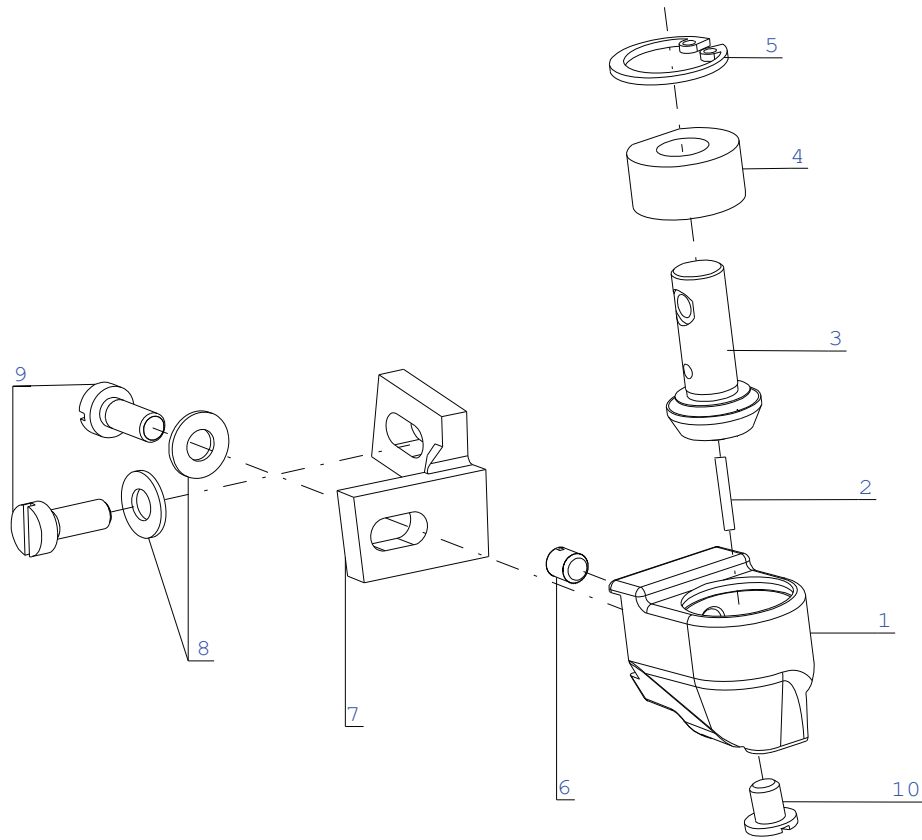
Pos. Det.	Dílec č. Part No.	Název	Denomination
M 020 S548 134013	JEHLA 134 LR č. 80	NEEDLE 134 LR No.80
M 021 S548 000311	JEHLA 134 LR č. 130	NEEDLE 134 LR No.130
M 023 S548 134001	JEHLA 134 LR č. 100	NEEDLE 134 LR No.100
M 055 S980 000055	PROPOJOVACÍ KABEL	CONNECTING CABLE
M 059 S980 000059	PODAVAČ 0,6	FEEDING WHEEL 0.6
M 060 S980 000060	PODAVAČ 0,4	FEEDING WHEEL 0.4
M 132 S548 000255	JEHLA 134 KKLR č. 80	NEEDLE 134 KKLR No. 80
M 133 S548 000260	JEHLA 134 KKLR č. 90	NEEDLE 134 KKLR No. 90
M 242 S980 000242	SEŘIZOVACÍ MĚRKA	ADJUSTABLE GAUGE
M 515 S980 000515	NOSIČ PODAVAČE	FEED CARRIER
1 S080 442670	NOSIČ PODAVAČE	FEED CARRIER
2 S080 818712	VÍZ POS. S980 000515	SEE S980 000515
3 S080 818712	PŘÍLOŽKA	SPLICE
4 S080 126065	ŠROUB	SCREW
M 516 S080 442671	NOSIČ PODAVAČE	FEED CARRIER
2 9041 102025	FILC	FELT
M 520 S980 000520	DÍLCE PRO STROJ BEZ ODSTŘIHU	PARTS FOR MACHINE WITHOUT TRIMMING
1 S080 814483	VÍKO	COVER
2 S309 738406	ŠROUB	SCREW
M 171 S425 311020	ŘEZACÍ NUŽ	KNIFE

Pos. Det.	Dílec č. Part No.	Název	Denomination
	Ordering No. Objednáací číslo	Side of trimmer Šířka nože (mm)	Height of trimmer (a) Řezací výška (a) (mm)
	S425 311020 *	13	2.7
	S425 311026	13	3.5
	S425 311030	11	2.7
	S425 311032	13	3.5
	S425 311034	13	3.5
	S425 311036	14	2.7
	S425 311037	14.5	7.0

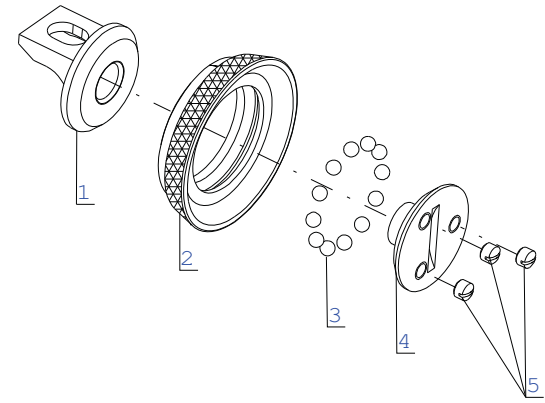








* supplied as standard/standardně dodáváno

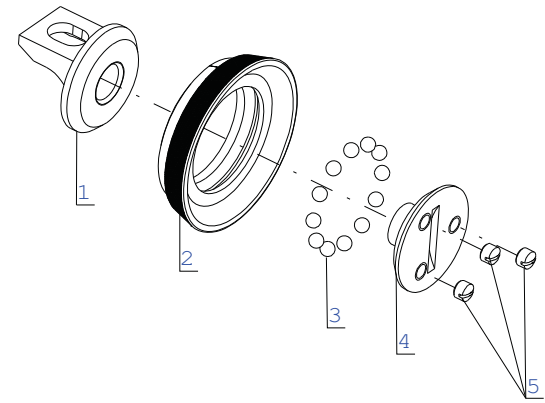
M 156



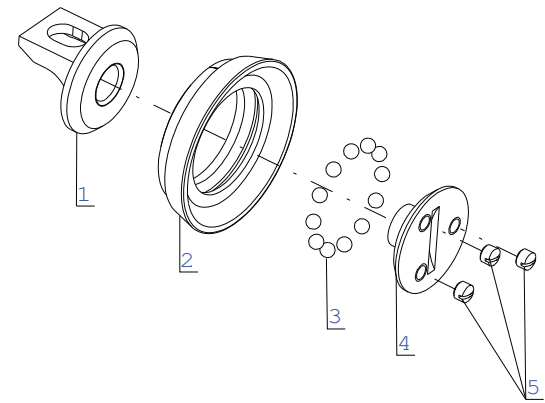
M 172



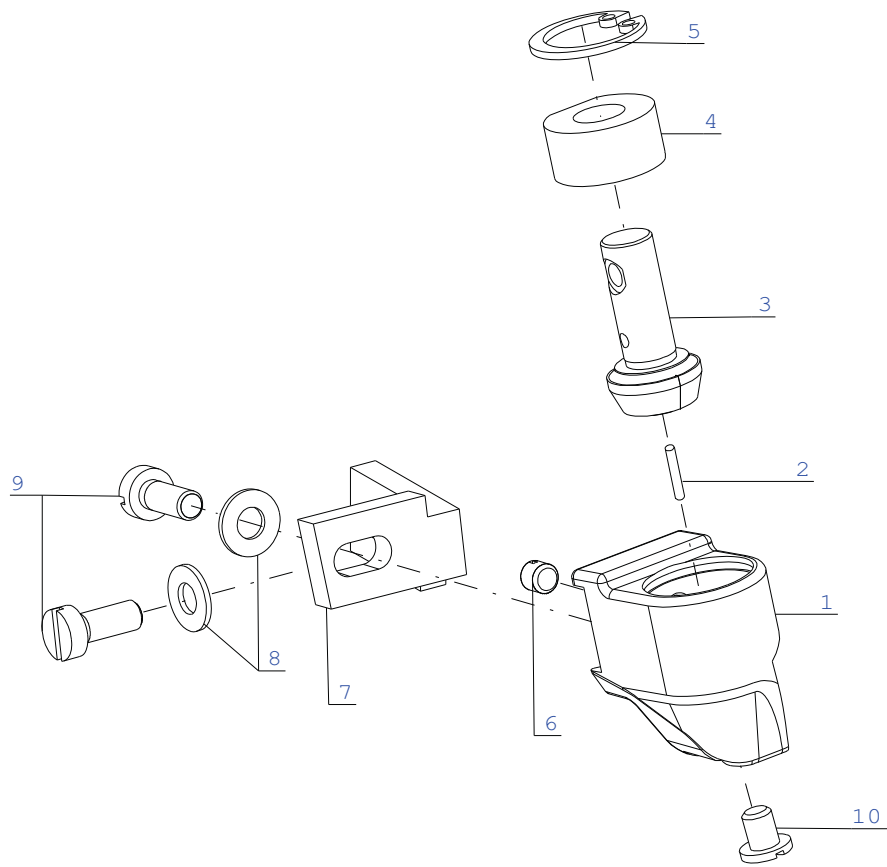
M 174



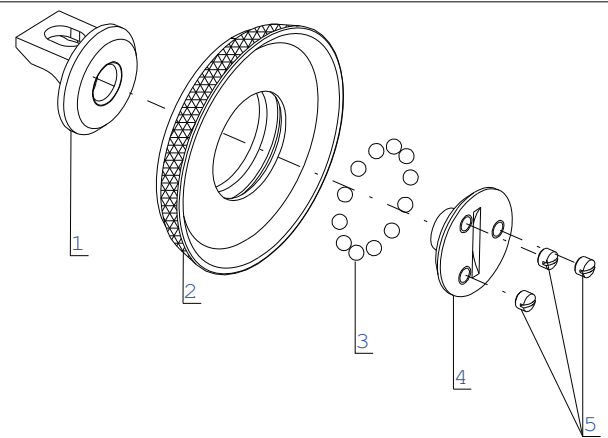
M 310



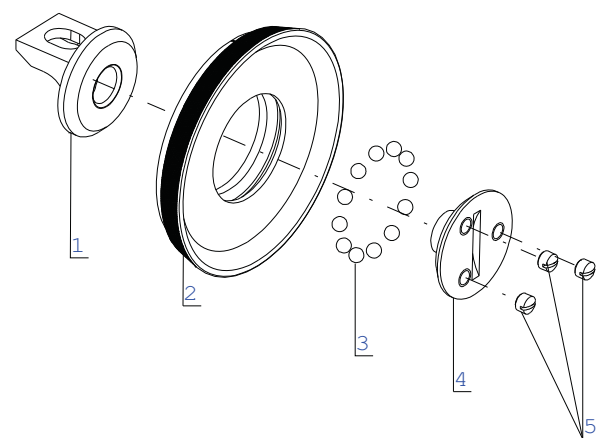
M 157



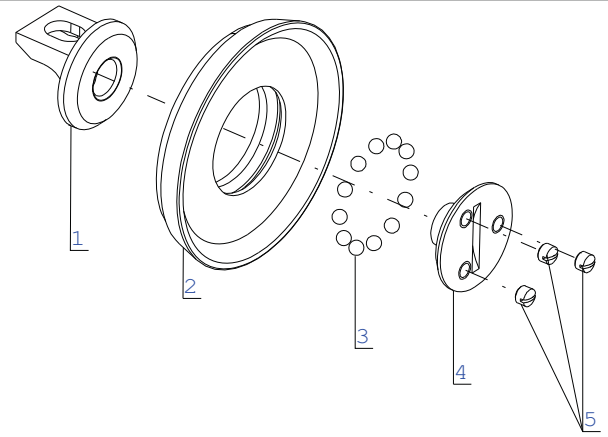
M 173



M 175



M 311

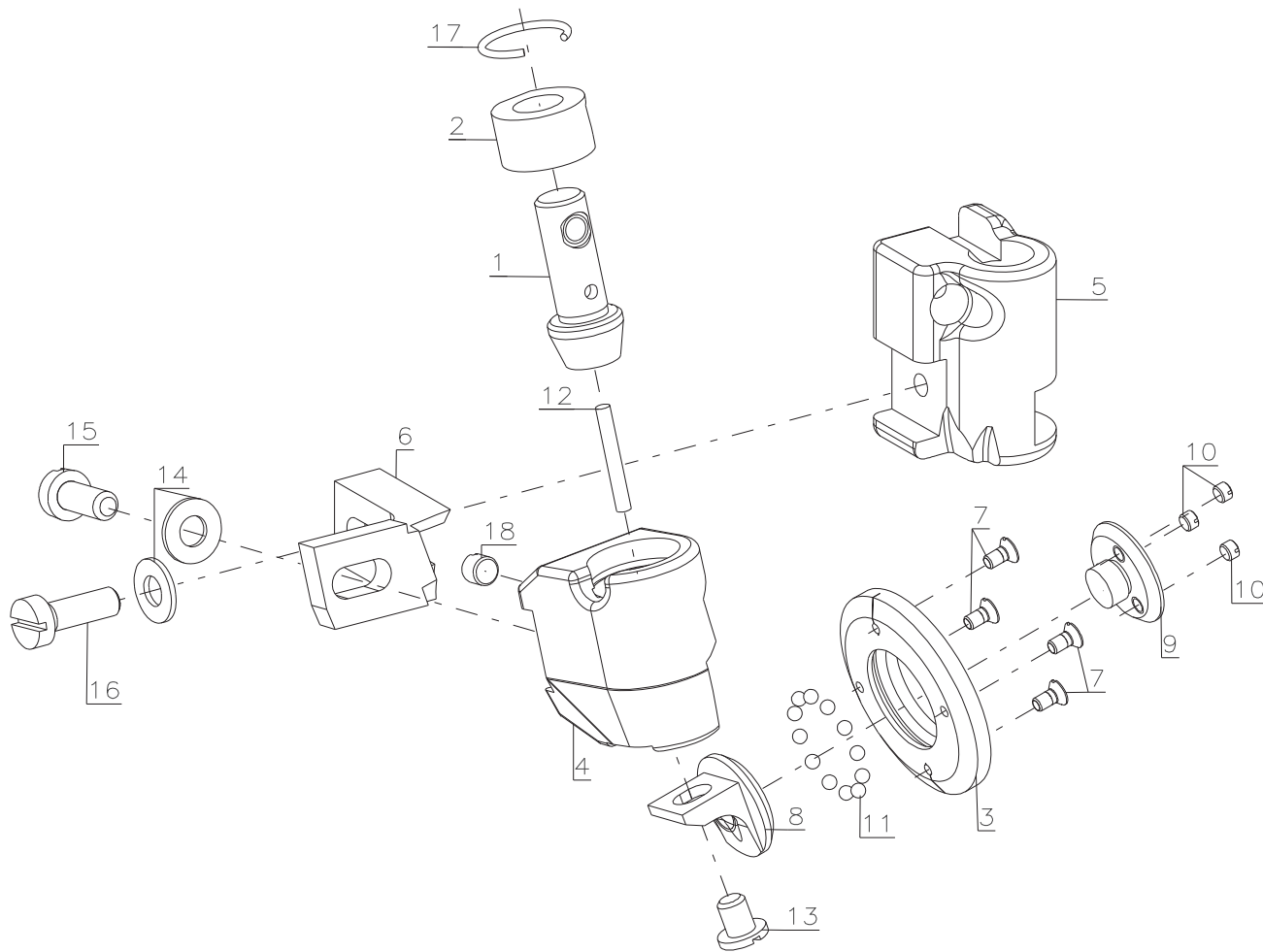


M 157 M 173 M 175 M 311

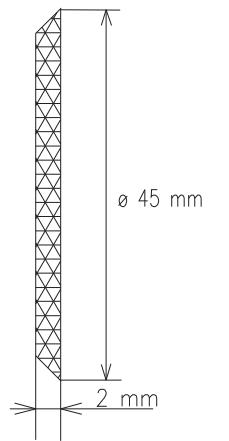
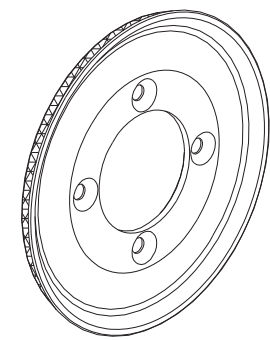
Pos. Det.	Díllec č. Part No.	Název	Denomination
M 157			
.....	S980 000157	DRŽÁK KOLEČKOVÉ PATKY	HOLDER FOR THE TOP ROLLER
1.....	S980 000157	VIZ	VIZ S980 000157
2.....	S980 000157	VIZ	VIZ S980 000157
3.....	S080 555046	PASTOREK	PINION
4.....	S080 410678	POUZDRO	CASE
5.....	S311 733151	POJ.KROUŽEK	RETAINING RING
6.....	S080 111212	ŠROUB	SCREW
7.....	S980 000157	VIZ	VIZ S980 000157
8.....	S080 190353	PODLOŽKA	WASHER
9.....	S080 120226	ŠROUB	SCREW
10.....	S080 132240	ŠROUB	SCREW
M 173			
.....	S980 000173	KOLEČKOVÁ PATKA	TOP ROLLER
1.....	S080 452051	DRŽÁK	HOLDER
2.....	S080 561059	KOLEČKO ø 35 mm	TOP ROLLER
3.....	S324 020052	KULIČKA	BALL
4.....	S080 441679	ŠROUB	SCREW
5.....	S080 111303	ŠROUB	SCREW
M 175			
.....	S980 000175	KOLEČKOVÁ PATKA	TOP ROLLER
1.....	S080 452051	DRŽÁK	HOLDER
2.....	S980 088007	KOLEČKO POGUMOVANÉ ø 35 mm	TOP ROLLER RUBBER COATED
3.....	S324 020052	KULIČKA	BALL
4.....	S080 441679	ŠROUB	SCREW
5.....	S080 111303	ŠROUB	SCREW
M 311			
.....	S980 000311	KOLEČKOVÁ PATKA	TOP ROLLER
1.....	S080 452051	DRŽÁK	HOLDER
2.....	S080 561070	KOLEČKO HLADKÉ ø 35 mm	TOP ROLLER SMOOTH
3.....	S324 020052	KULIČKA	BALL
4.....	S080 441679	ŠROUB	SCREW
5.....	S080 111303	ŠROUB	SCREW

Pos. Det.	Díllec č. Part No.	Název	Denomination

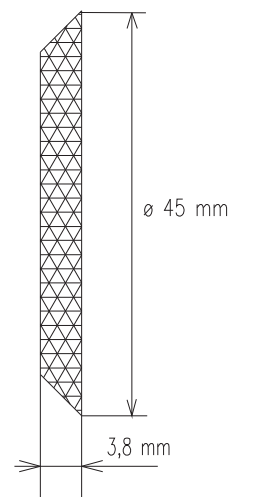
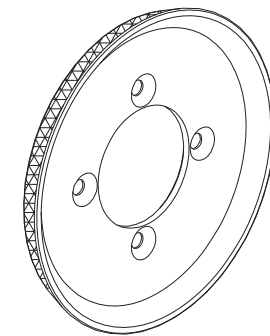
M 295



M 296



M 297

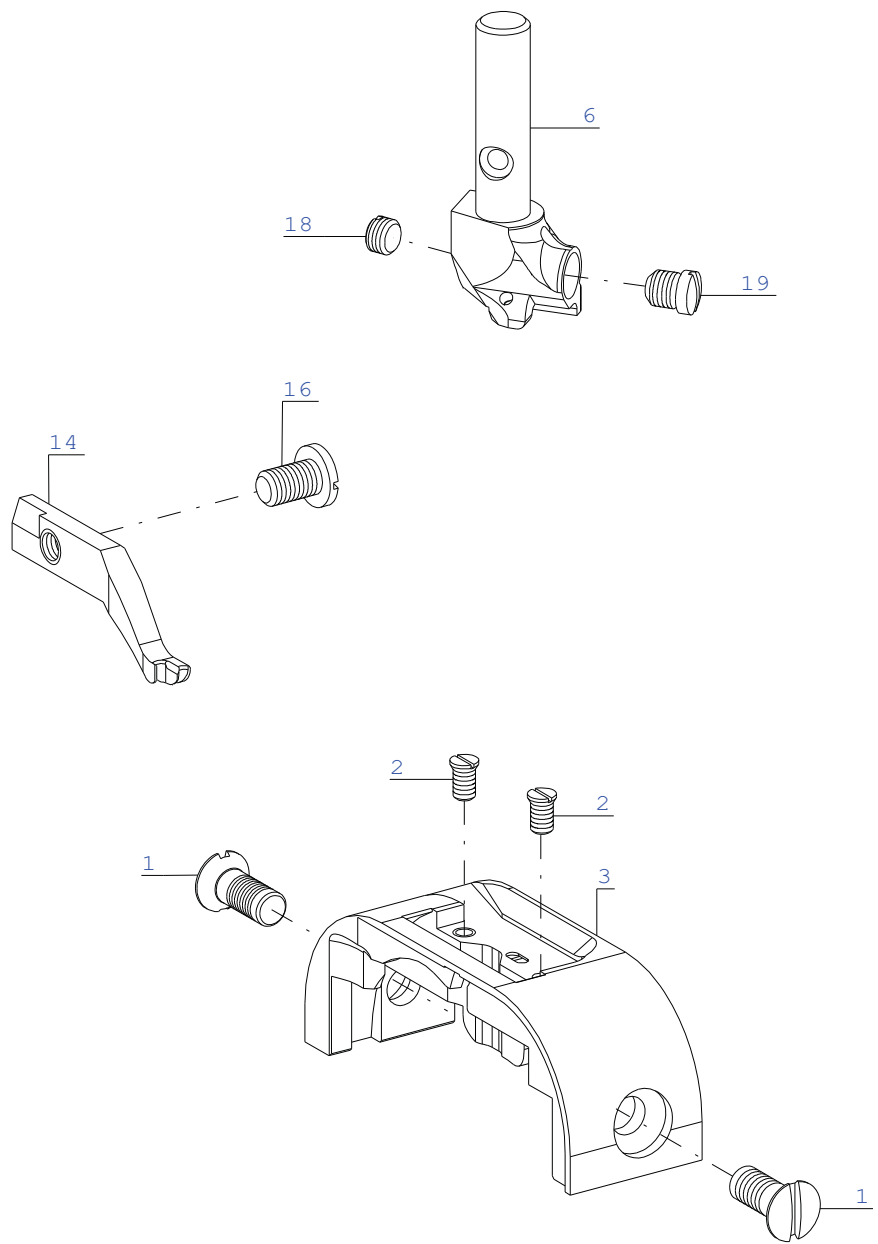


M 295 M 296 M 297

Pos. Det.	Díllec č. Part No.	Název	Denomination
M 295	S980 000295	DRŽÁK KOLEČKOVÉ PATKY	HOLDER FOR THE TOP ROLLER
1	S080 555048	PASTOREK	PINION
2	S080 410693	POUZDRO	CASE
3	S080 561064	OZUBENÉ KOLO	TOOTHED WHEEL
4	VIZ S980 000295	VIZ S980 000295	VIZ S980 000295
5	S080 646494	OBJÍMKA DRŽÁKU	SLEEVE OF HOLDER
6	VIZ S980 000295	VIZ S980 000295	VIZ S980 000295
7	S080 126189	ŠROUB	SCREW
8	S080 452051	DRŽÁK	HOLDER
9	S080 441679	ŠROUB	SCREW
10	S080 111303	ŠROUB	SCREW
11	S324 020052	KULIČKA	BALL
12	VIZ S980 000295	VIZ S980 000295	VIZ S980 000295
13	S080 132240	ŠROUB	SCREW
14	S080 190353	PODLOŽKA	WASHER
15	S080 120226	ŠROUB	SCREW
16	S080 120227	ŠROUB	SCREW
17	S311 732014	POJ.KROUŽEK.	RETAINING RING
18	S080 111212	ŠROUB	SCREW
M 296	S980 000296	KOLEČKO Ø 45 mm	WHEEL Ø 45 mm
M 297	S980 000297	KOLEČKO Ø 45 mm	WHEEL Ø 45 mm

Pos. Det.	Díllec č. Part No.	Název	Denomination

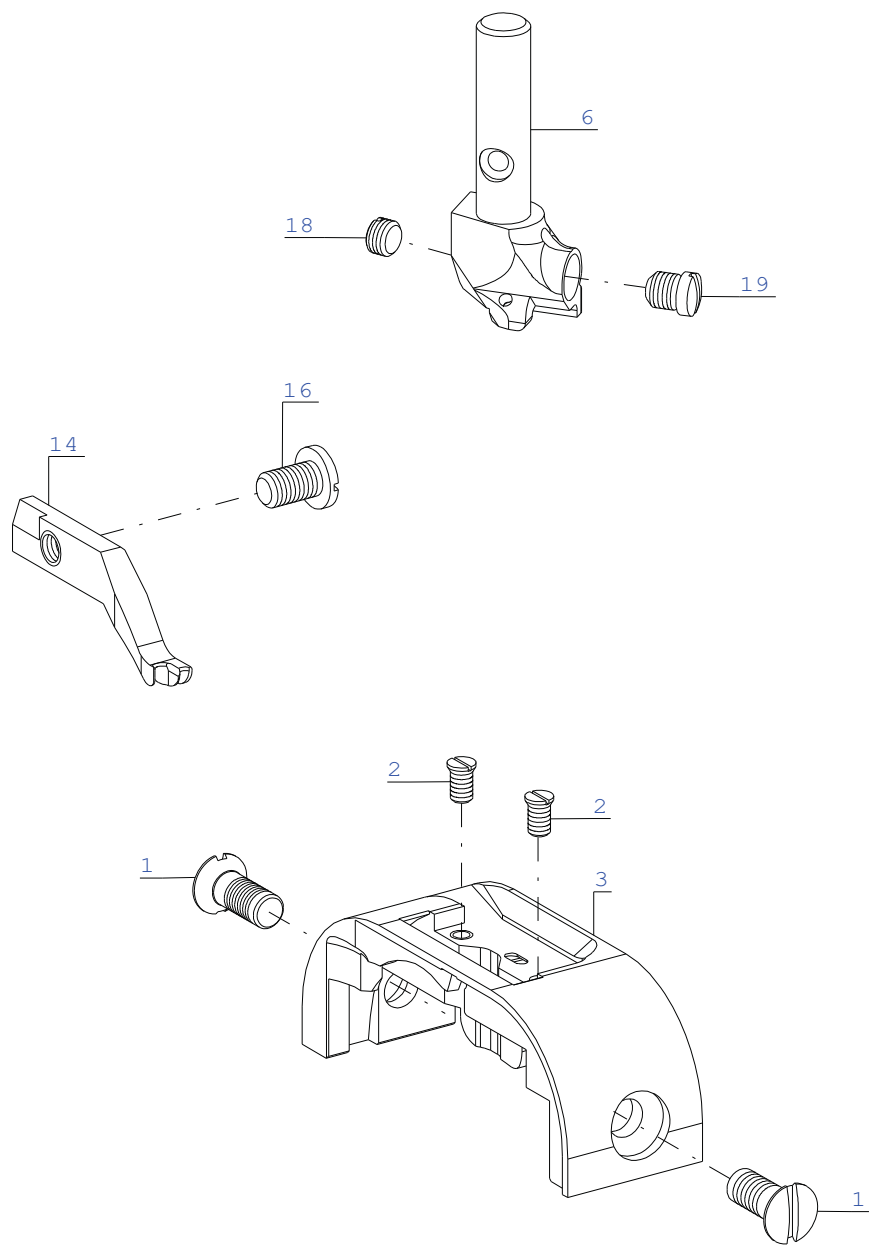
TAB.41



M 207

Pos. Det.	Dílec č. Part No.	Název	Denomination
1	S080 123180	ŠROUB	SCREW
2	S080 683074	ŠROUB	SCREW
3	S080 811823	STĚHOVÁ DESKA	THROAT PLATE
6	S080 394190	JEHELNÍK	NEEDLE HOLDER
14	S080 623299	VODIČ JEHEL	NEEDLE GUIDE
16	S080 132112	ŠROUB	SCREW
18	S080 111109	ŠROUB	SCREW
19	S080 124051	ŠROUB	SCREW

Pos. Det.	Dílec č. Part No.	Název	Denomination
--------------	----------------------	-------	--------------



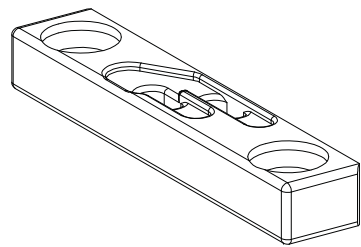
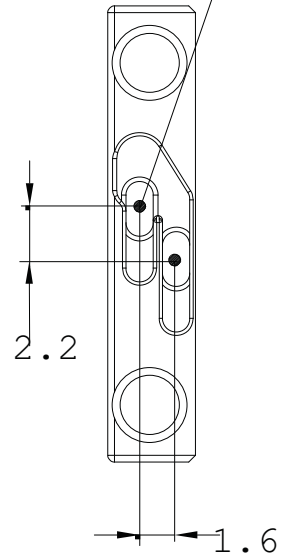
M208

Pos. Det.	Dílec č. Part No.	Název	Denomination
1	S080 123180	ŠROUB	SCREW
2	S080 683074	ŠROUB	SCREW
3	S080 811810	STĚHOVÁ DESKA	THROAT PLATE
6	S080 394160	JEHELNÍK	NEEDLE HOLDER
14	S080 623298	VODIČ JEHEL	NEEDLE GUIDE
16	S080 132112	ŠROUB	SCREW
18	S080 111109	ŠROUB	SCREW
19	S080 124051	ŠROUB	SCREW

Pos. Det.	Dílec č. Part No.	Název	Denomination
--------------	----------------------	-------	--------------

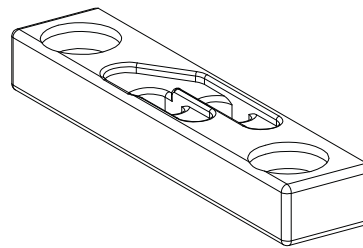
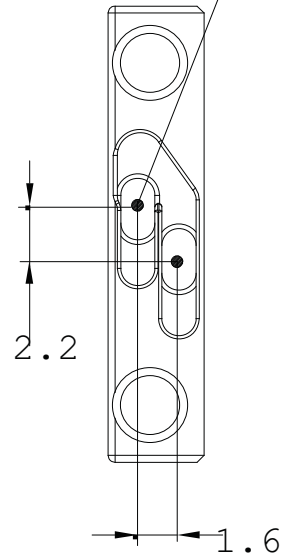
M 209

NEEDLE 60-80
CATEGORY 100



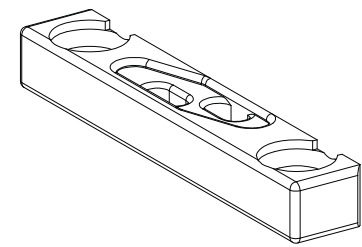
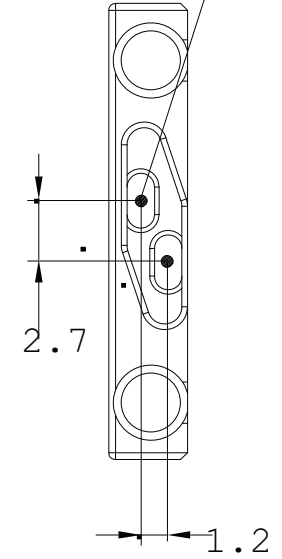
M 210

NEEDLE 80-110
CATEGORY 200



M 217

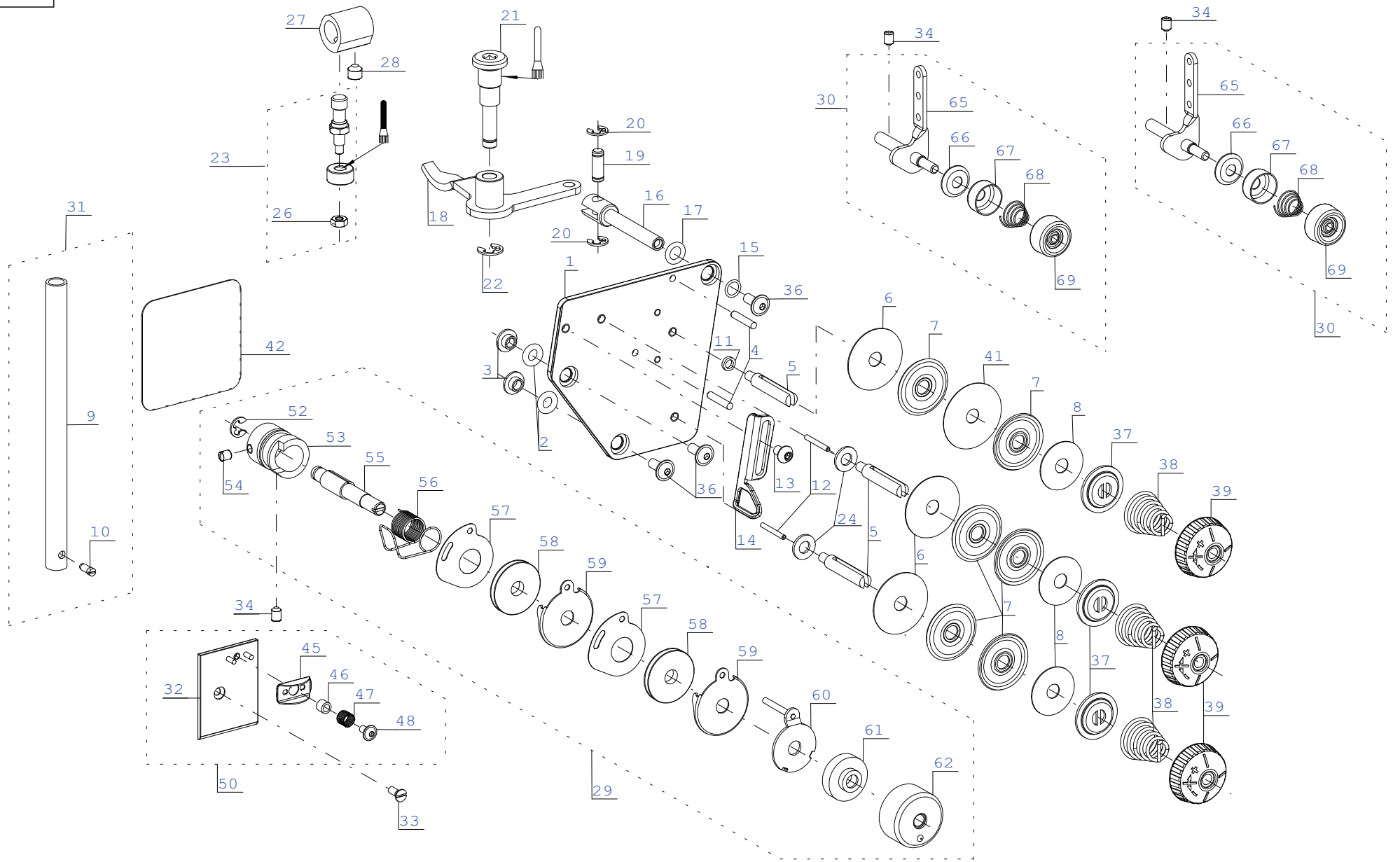
NEEDLE 60-80
CATEGORY 100



M 209 M 210 M 217

Pos. Det.	Dílce č. Part No.	Název	Denomination
M 209 S980 000209	VLOŽKA STEHOVÉ DESKY	THROAT PLATE INSERT
M 210 S980 000210	VLOŽKA STEHOVÉ DESKY	THROAT PLATE INSERT
M 217 S980 000217	VLOŽKA STEHOVÉ DESKY	THROAT PLATE INSERT

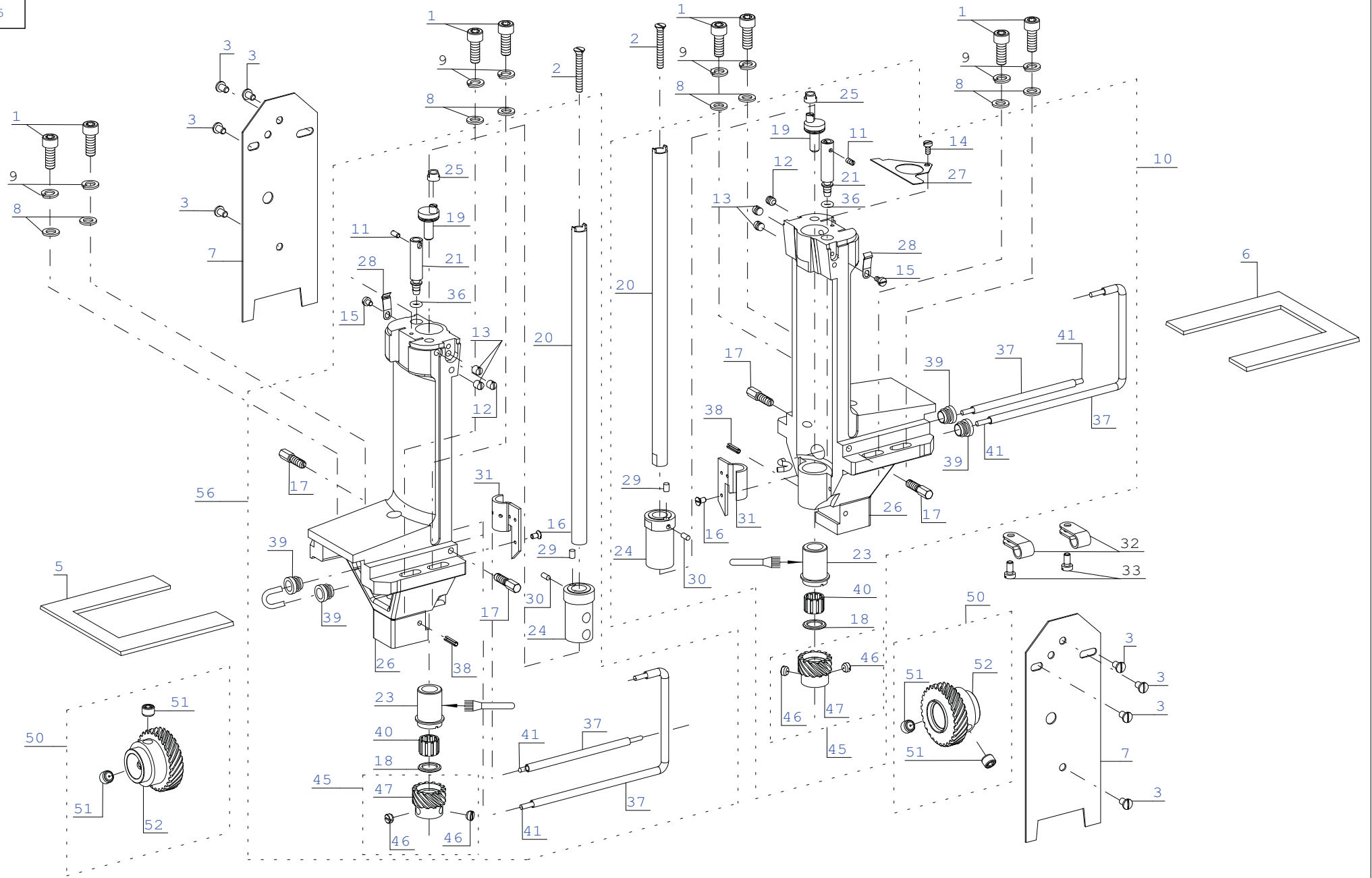
Pos. Det.	Dílce č. Part No.	Název	Denomination
--------------	----------------------	-------	--------------



M 517

Pos. Det.	Dílec č. Part No.	Název	Denomination
1	S080 826404	DESKA	PLATE
2	S273 005025	KROUŽEK	RING
3	S080 425329	POUZDRO	CASE
4	S324 031651	VÁLEČEK JEHLVÝ	NEEDLE ROLLER
5	0367 110120	NAPÍNAČÍ ČEP	TENSIONING PIN
6	S321 941159	PODLOŽKA	WASHER
7	0467 110220	MISKA NAPÍNAČE	DISH OF TENSIONER
8	S321 941158	PODLOŽKA	WASHER
9	S080 391134	JEHELNÍ TYČ	NEEDLE BAR
10	S080 135022	ŠROUB	SCREW
11	S080 190708	KROUŽEK	RING
12	S080 310478	KOLIK	PIN
13	S309 738406	ŠROUB	SCREW
14	S080 821181	VODIČ	GUIDE
15	S273 001000	O-KROUŽEK	O-RING
16	S080 318256	ČEP	PIN
17	0265 000911	O-KROUŽEK	O-RING
18	S980 047280	PÁKA ÚPLNÁ	LEVER CPL.
19	S080 323203	ČEP	PIN
20	S311 732032	POJ. KROUŽEK	RETAINING RING
21	S080 142027	ŠROUB	SCREW
22	S311 732050	POJ. KROUŽEK	RETAINING RING
23	S981 060243	KLADKA ÚPLNÁ	ROLLER CPL.
24	S080 190709	PODLOŽKA	WASHER
26	9234 000057	MATICE	NUT
27	S080 436457	STAVĚCÍ KROUŽEK	REGULATING RING
28	0244 000700	ŠROUB	SCREW
29	0367 110254 M	NAPÍNAČ NITĚ ÚPLNÝ	TENSIONER COMPLET CPL.
30	0271 001391	VODIČ ÚPLNÝ	GUIDE CPL.
31	S981 021400	JEHELNÍ TYČ ÚPLNÁ	NEEDLE BAR CPL.
32	S980 060231	DESKA ÚPLNÁ	PLATE CPL.
33	S080 126073	ŠROUB	SCREW
34	9205 101868	ŠROUB	SCREW
36	S309 000410	ŠROUB	SCREW
37	0061 001050	PODLOŽKA	WASHER
38	0099 004800	PRUŽINA	SPRING
39	0271 000238	MATICE	NUT
41	S080 190701	PODLOŽKA	WASHER
42	S735 955142	SAMOLEPKA	LABEL
45	S080 839349	PŘÍLOŽKA	SPLICE
46	S080 410699	POUZDRO	CASE
47	S080 260617	PRUŽINA	SPRING
48	S309 000306	ŠROUB	SCREW
50	S981 025306	VODIČ NITĚ ÚPLNÝ	THREAD GUIDE CPL.
52	9357 000060	POJ. KROUŽEK	RETAINING RING
53	0367 110160	POUZDRO	CASE
54	0993 520940	ŠROUB	SCREW
55	0367 110170	ČEP	PIN
56	0068 004910	PRUŽINA	SPRING
57	0367 110350	PODLOŽKA	WASHER
58	0367 110340	ROLNA	ROLLER
59	0367 110360	PODLOŽKA	WASHER
60	0367 110183	PODLOŽKA ÚPLNÁ	WASHER CPL.
61	0367 110290	POUZDRO	CASE
62	0381 110043	MATICE	NUT
65	0271 001392	VODIČ NITĚ	THREAD GUIDE
66	0244 000415	OBJÍMKA	SLEEVE

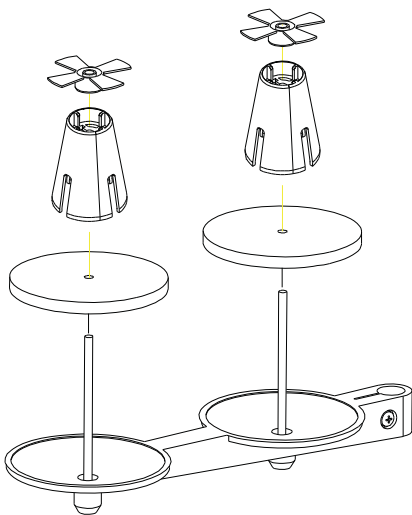
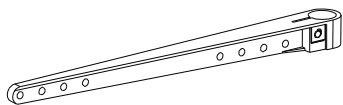
Pos. Det.	Dílec č. Part No.	Název	Denomination
67	0244 000414	OBJÍMKA	SLEEVE
68	0271 001397	PRUŽINA	SPRING
69	0271 001398	RÝHOVANÁ MATICE	MILLED NUT



M065

Pos. Det.	Dílec č. Part No.	Název	Denomination
1	S080 120244	ŠROUB M6 x 20	SCREW M6 x 20
2	S080 126178	ŠROUB	SCREW
3	S309 738406	ŠROUB	SCREW
5	S080 812199	DESKA LEVÁ	PLATE LEFT
6	S080 812194	DESKA PRAVÁ	PLATE RIGHT
7	S080 831721	KRYT	COVER
8	S311 433060	PODLOŽKA	WASHER
9	0558 000233	PODLOŽKA	WASHER
10	S981 023157	ČHAPÁČOVÝ SLOUP	HOOK POST CPL.
11	S080 110105	ŠROUB	SCREW
12	S080 111261	ŠROUB M5 x 6	SCREW M5 x 6
13	S080 112088	ŠROUB M5 x 8	SCREW M5 x 8
14	S080 120367	ŠROUB M3 x 5	SCREW M3 x 5
15	S080 120215	ŠROUB M3 x 4	SCREW M3 x 4
16	S080 126065	ŠROUB M3 x 6	SCREW M3 x 6
17	S080 141320	ŠROUB	SCREW
18	S080 190681	PODLOŽKA	WASHER
19	S080 338232	ČEP	PIN
20	S080 345086	HŘÍDEL	SHAFT
21	S080 346075	MAZACÍ TRUBKA	LUBRICATING TUBE
23	S080 424162	POUZDRO	CASE
24	S080 426093	POUZDRO	CASE
25	S080 452050	SMYKADLO	BLOCK
26		VIZ POS. 10,56	SEE 10,56
27	S080 831672	KRYT	COVER
28	S080 839320	ZÁPADKA	PAWL
29	9041 102035	MAZACÍ PLST	OIL FELT
30	S080 945379	MAZACÍ PLST	OIL FELT
31	S080 945380	MAZACÍ PLST	OIL FELT
32	9840 120028	PŘÍCHYTKA	CLIP
33	S080 120218	ŠROUB	SCREW
36	S273 002001	O-KROUŽEK	O-RING
37		VIZ POS. 10	SEE 10
38	S311 515032	KOLÍK 3 x 12	PIN 3 x 12
39	S321 001000	ZÁTKA PE	PLUG PE
40	S324 512910	LOŽISKO	BEARING
41		VIZ POS. 10	SEE 10
45	S981 045550	OZUBENÉ KOLO ÚPLNĚ	TOOTHED WHEEL CPL.
46	S080 111375	ŠROUB	SCREW
47		VIZ POS. 45	SEE 45
50	S981 060189	OZUBENÉ KOLO ÚPLNĚ	TOOTHED WHEEL CPL.
51	S080 111376	ŠROUB	SCREW
52		VIZ POS. 50	SEE 50
56	S981 023158	ČHAPÁČOVÝ SLOUP	HOOK POST CPL.

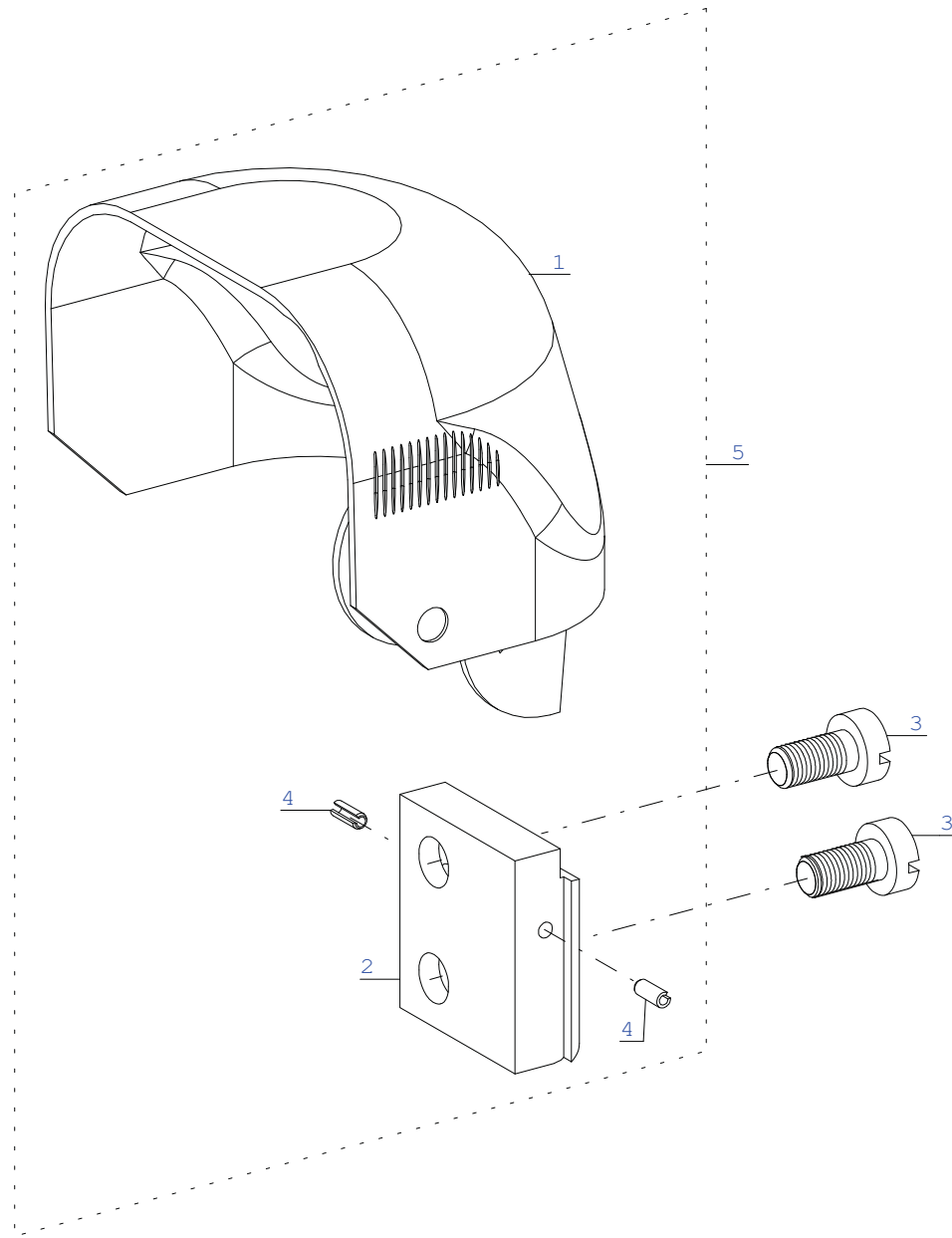
Pos. Det.	Dílec č. Part No.	Název	Denomination
--------------	----------------------	-------	--------------



M016

Pos. Det.	Dílce č. Part No.	Název	Denomination
 S980 000016	ROZŠÍŘENÍ NIŤOVÉHO STOJÁNKU	ADDITIONAL PART FOR THREAD STAND

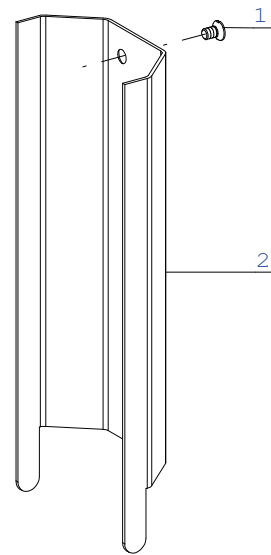
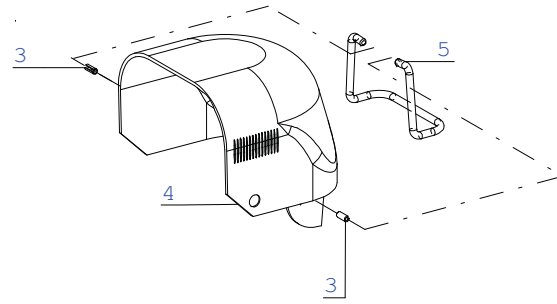
Pos. Det.	Dílce č. Part No.	Název	Denomination
--------------	----------------------	-------	--------------



M 092

Pos. Det.	Dílec č. Part No.	Název	Denomination
.....	S980 0000921	KRYT CHAPAČE	COVER OF HOOK
1	S980 057271	KRYT ÚPLNÝ	COVER CPL.
2	S080 646475	KOSTKA	BLOCK
3	S080 120246	ŠROUB M4 x 8	SCREW M4 x 8
4	S311 515089	KOLÍK 1,6 x 4	PIN 1.6 x 4
5	S981 041273	KRYT ÚPLNÝ	COVER CPL.

Pos. Det.	Dílec č. Part No.	Název	Denomination
--------------	----------------------	-------	--------------



M 142

Pos. Det.	Dílec č. Part No.	Název	Denomination
.....	S980 000142	KRYTY ODSTŘIHU NITÍ	COVER OF TRIMMING
1	S080 126070	ŠROUB	SCREW
2	S080 831670	KRYT	COVER
3	S311 515089	KOLÍK 1,6 x 4	PIN 1.6 x 4
4	S980 057269	KRYT ÚPLNÝ	COVER CPL.
5	S080 271540	PRUŽNÝ TRMEN	STIRRUP

Pos. Det.	Dílec č. Part No.	Název	Denomination
--------------	----------------------	-------	--------------