



Teileliste  
Spare Parts List

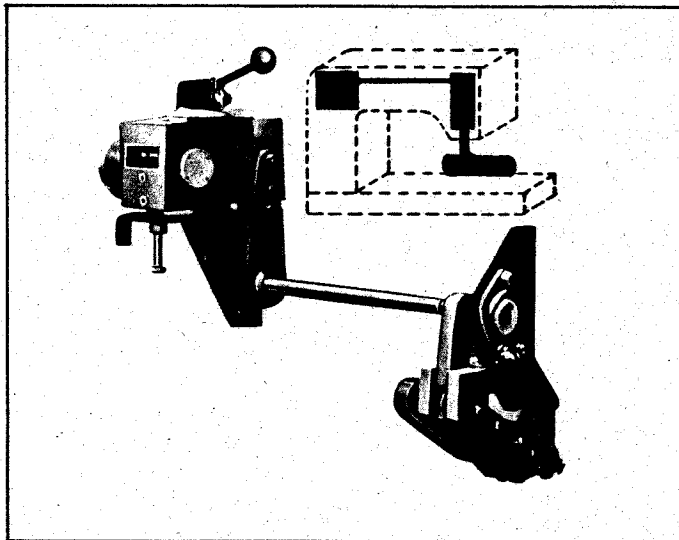
SP 460; SP...

DÜRKOPP ADLER AG

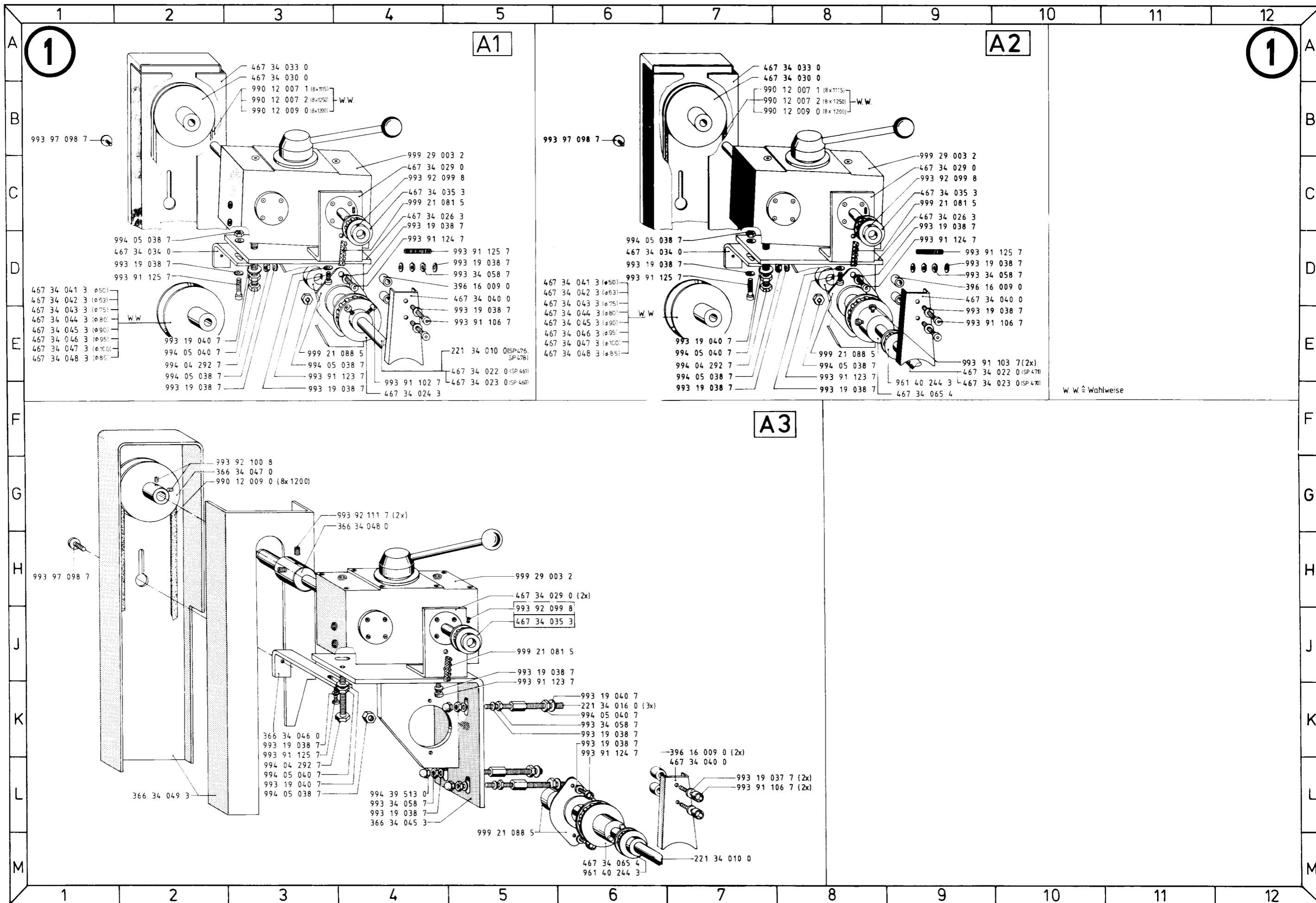


Teileliste  
Spare Parts List

SP 460; SP ...



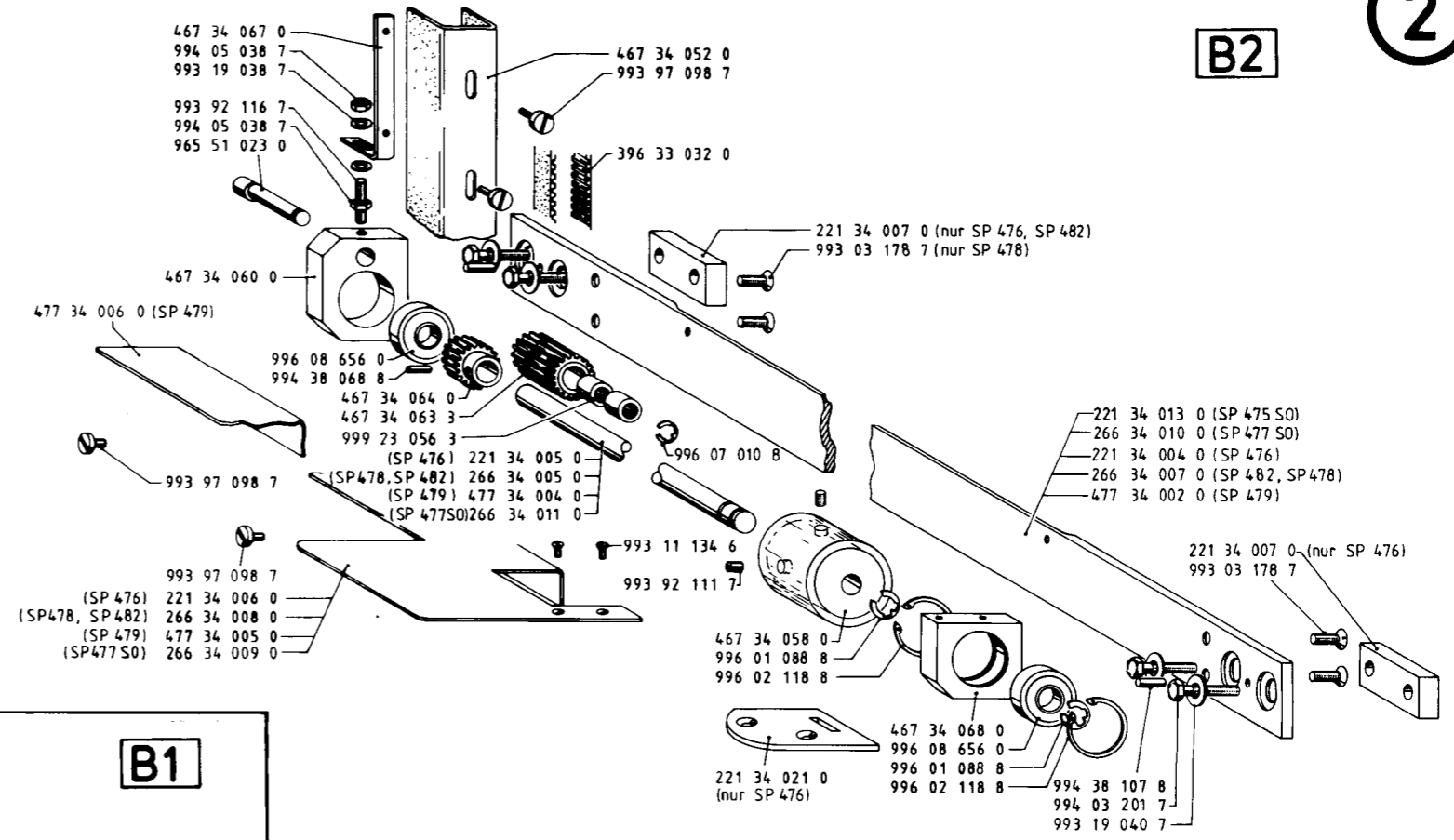
Klasse Class		Teile Nr. Part No.	A1	A2	A3	B1	B2	C1	C2	C3	C4	C5	C6	C7	E1		
467,767	SP460	467 34 751 9	●					●									
467-65	SP461	467 34 752 9	●					●									
467,767	SP470	467 34 754 9		●		●				●							
467-65	SP471	467 34 753 9		●		●					●						
550-21	SP473	467 34 755 4	siehe Teileliste 550-21 ( see parts list 550-21)														
221-50	SP475S0	<del>221 34 752 4</del>		●			●						●				
221-76	SP476	221 34 753 9		●			●						●				
266-...	SP477S0	<del>266 34 750 9</del>		●			●					●			●		
266-76	SP478	266 34 751 9		●			●					●			●		
477	SP479	477 34 751 9		●			●		●								
366	SP482	366 34 751 9			●		●								●		



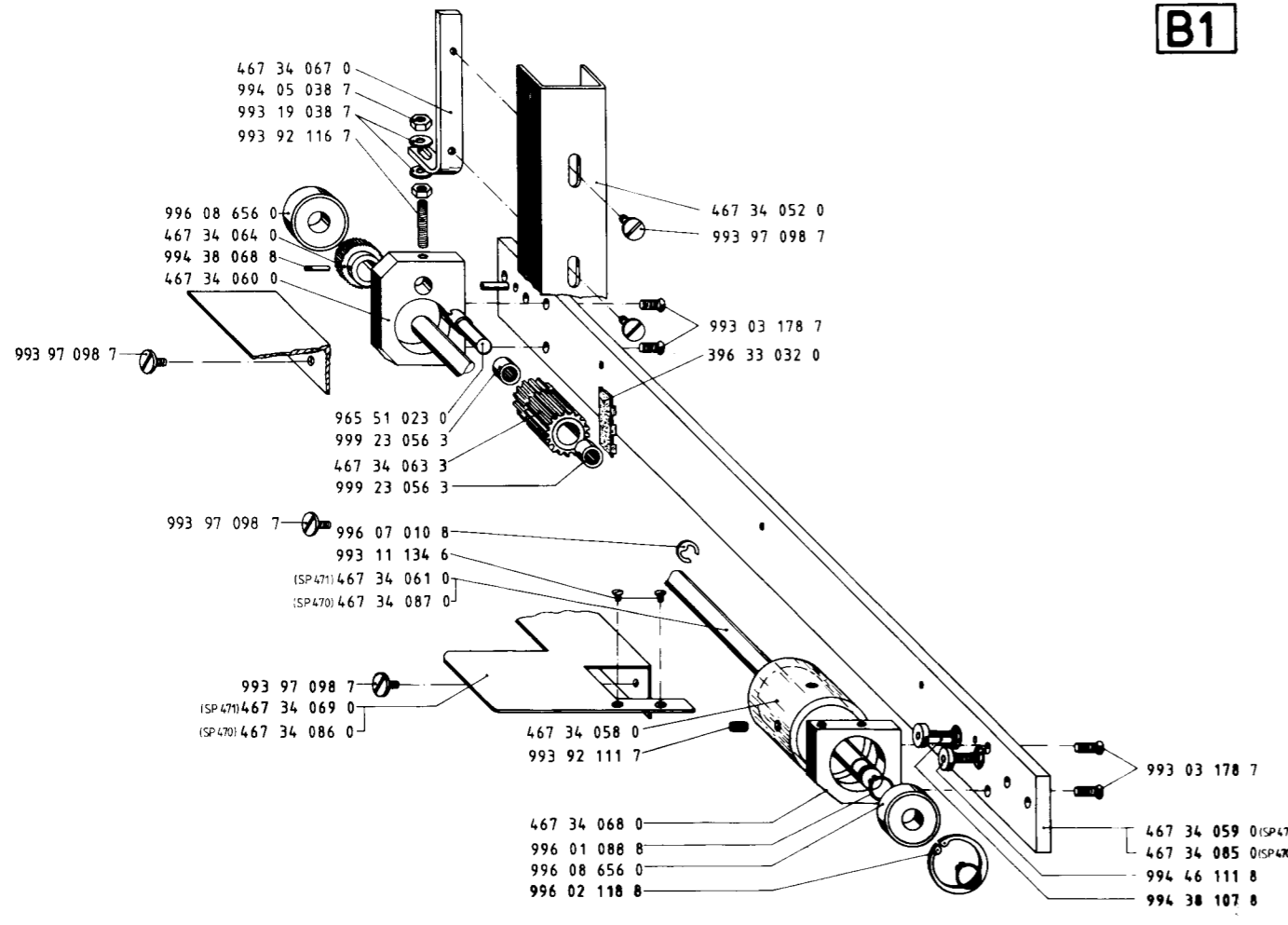
2

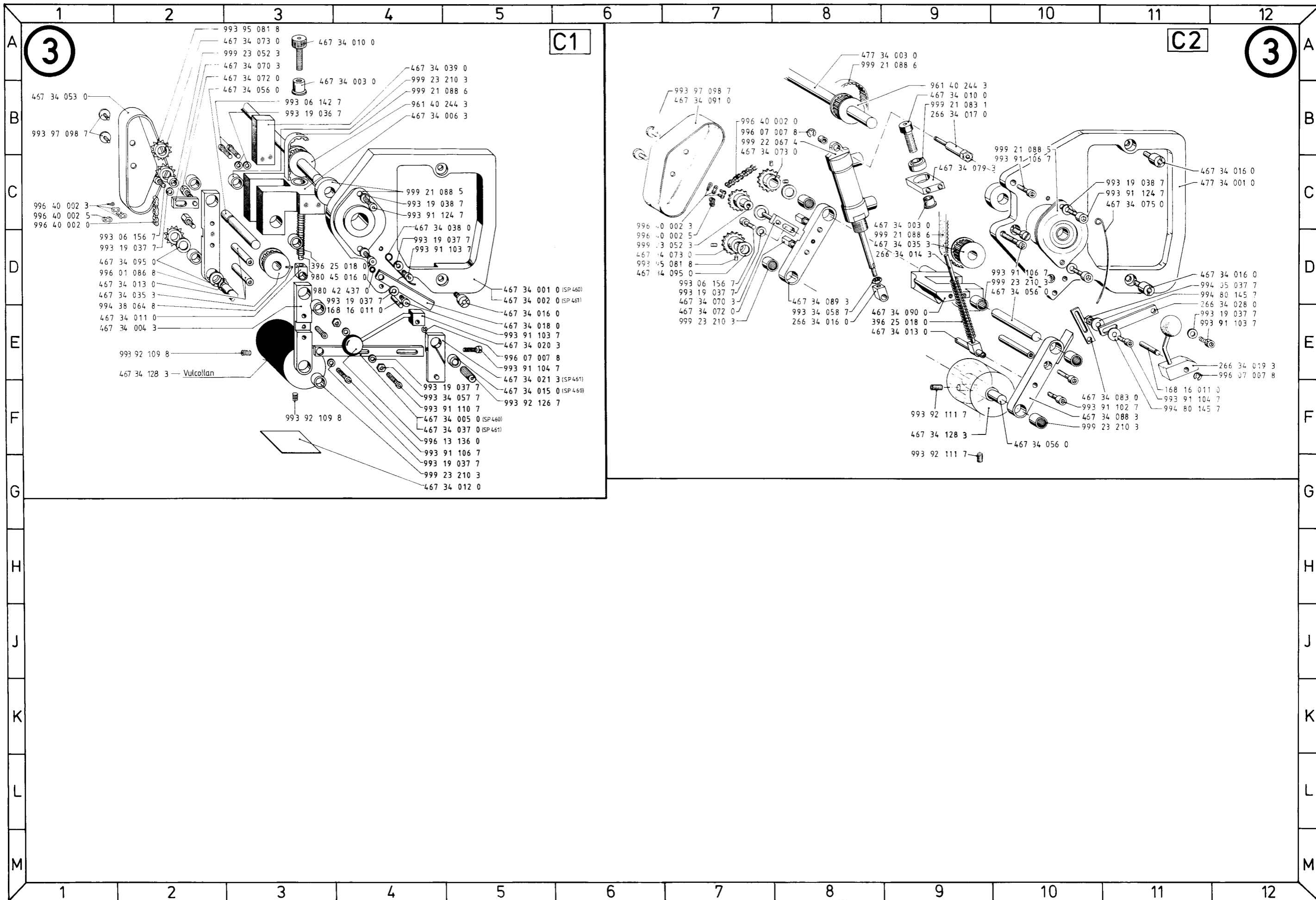
B2

2



B1

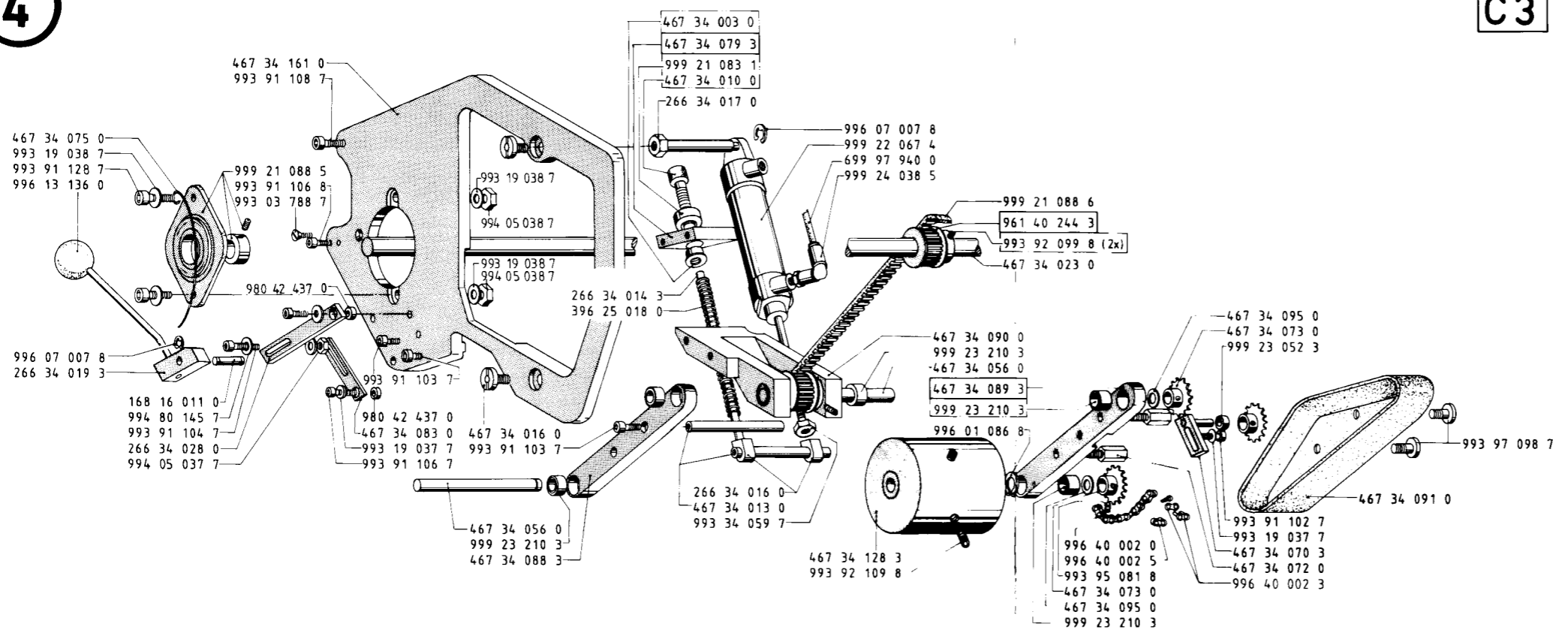




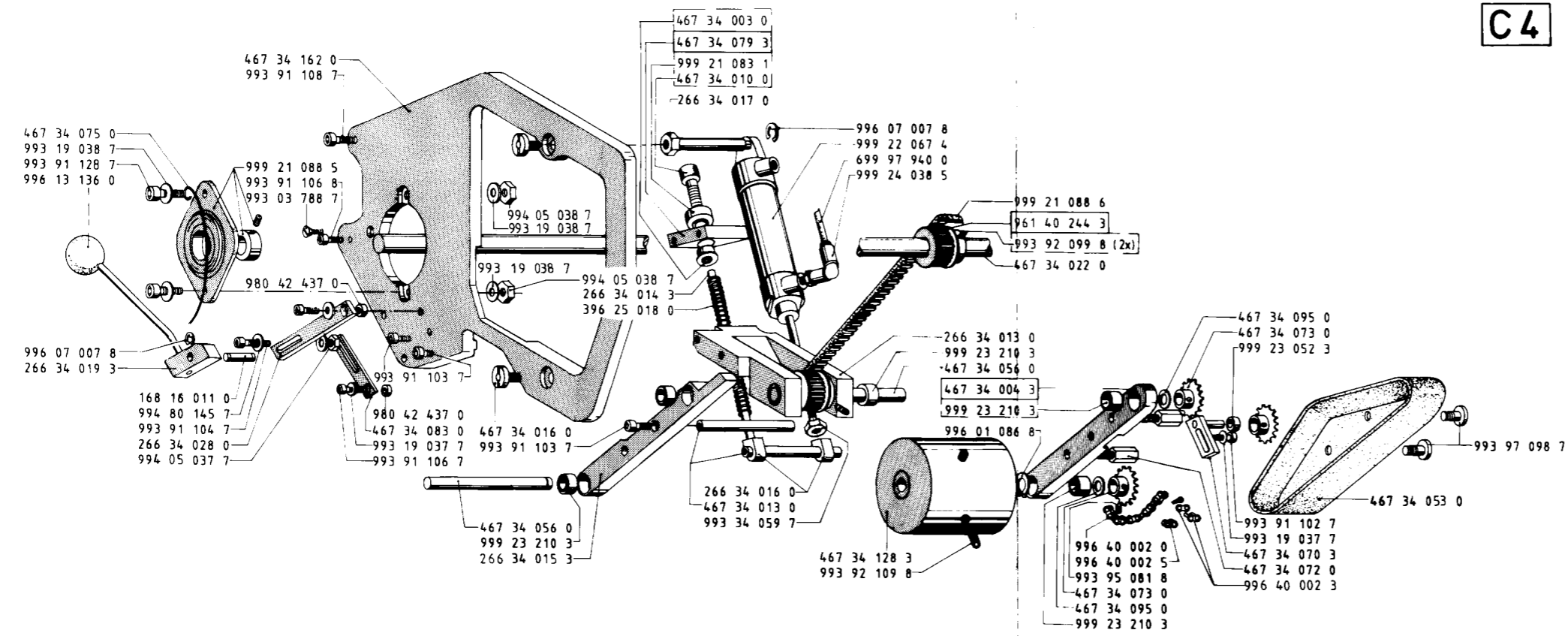
4

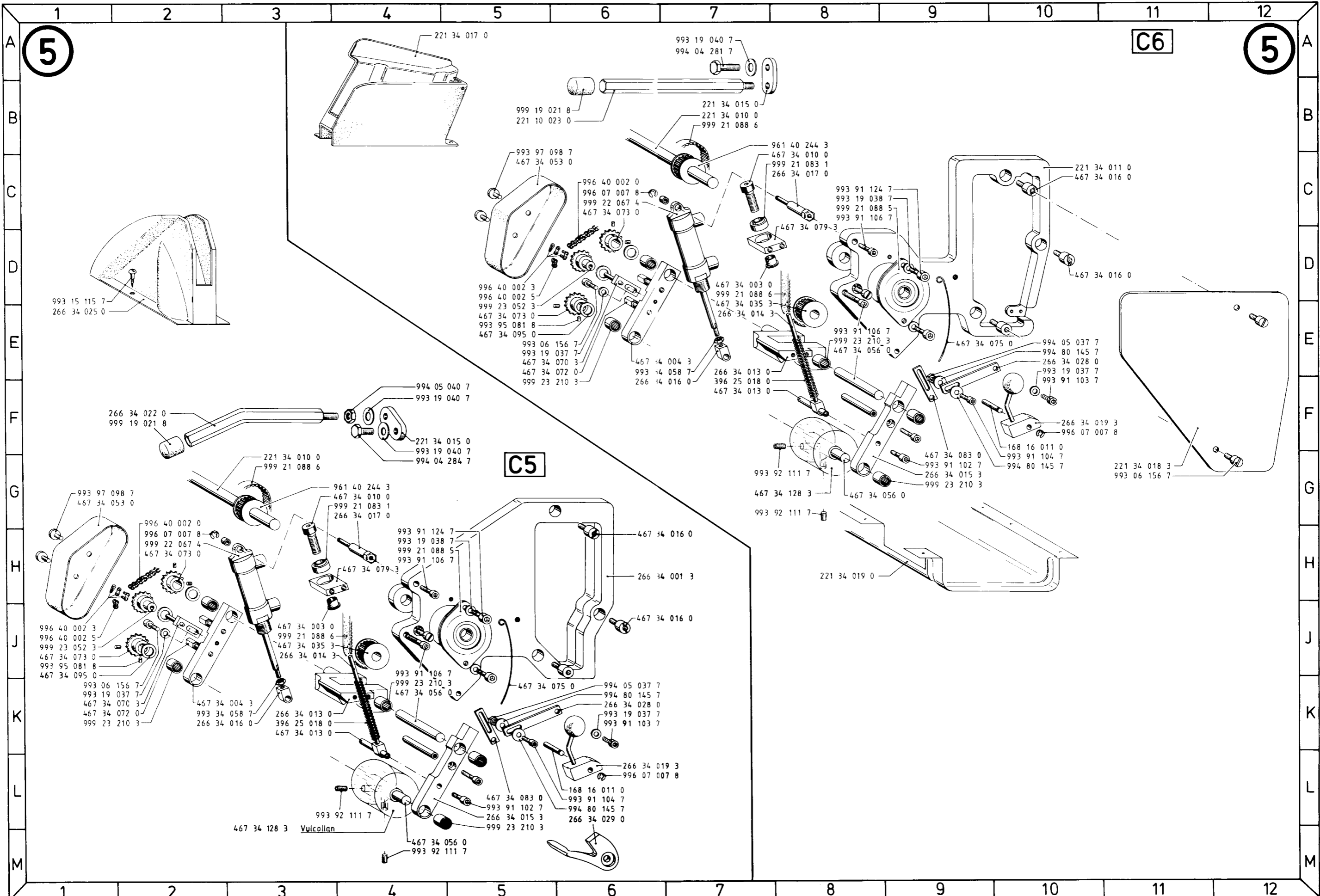
C3

4



C4



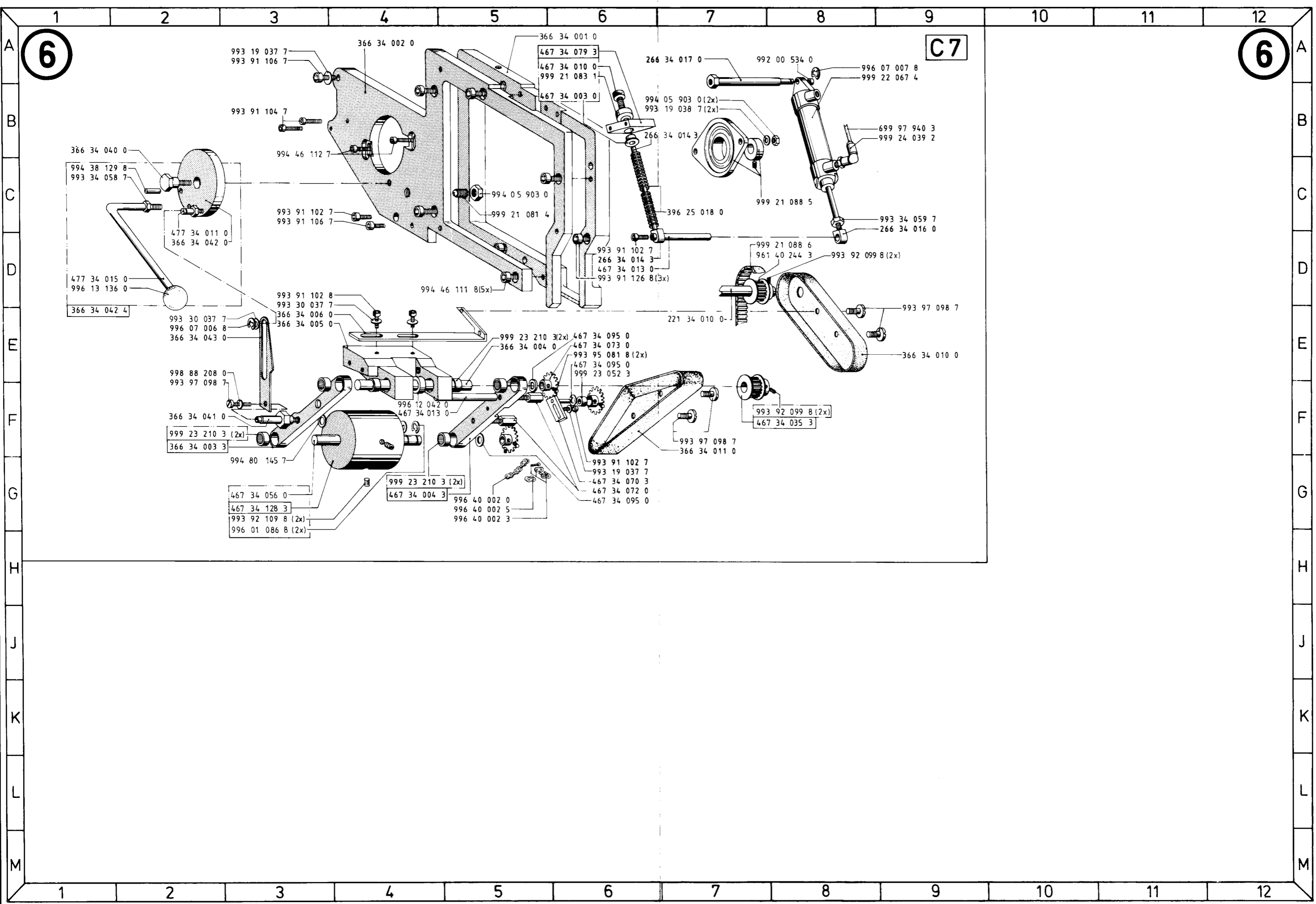


5

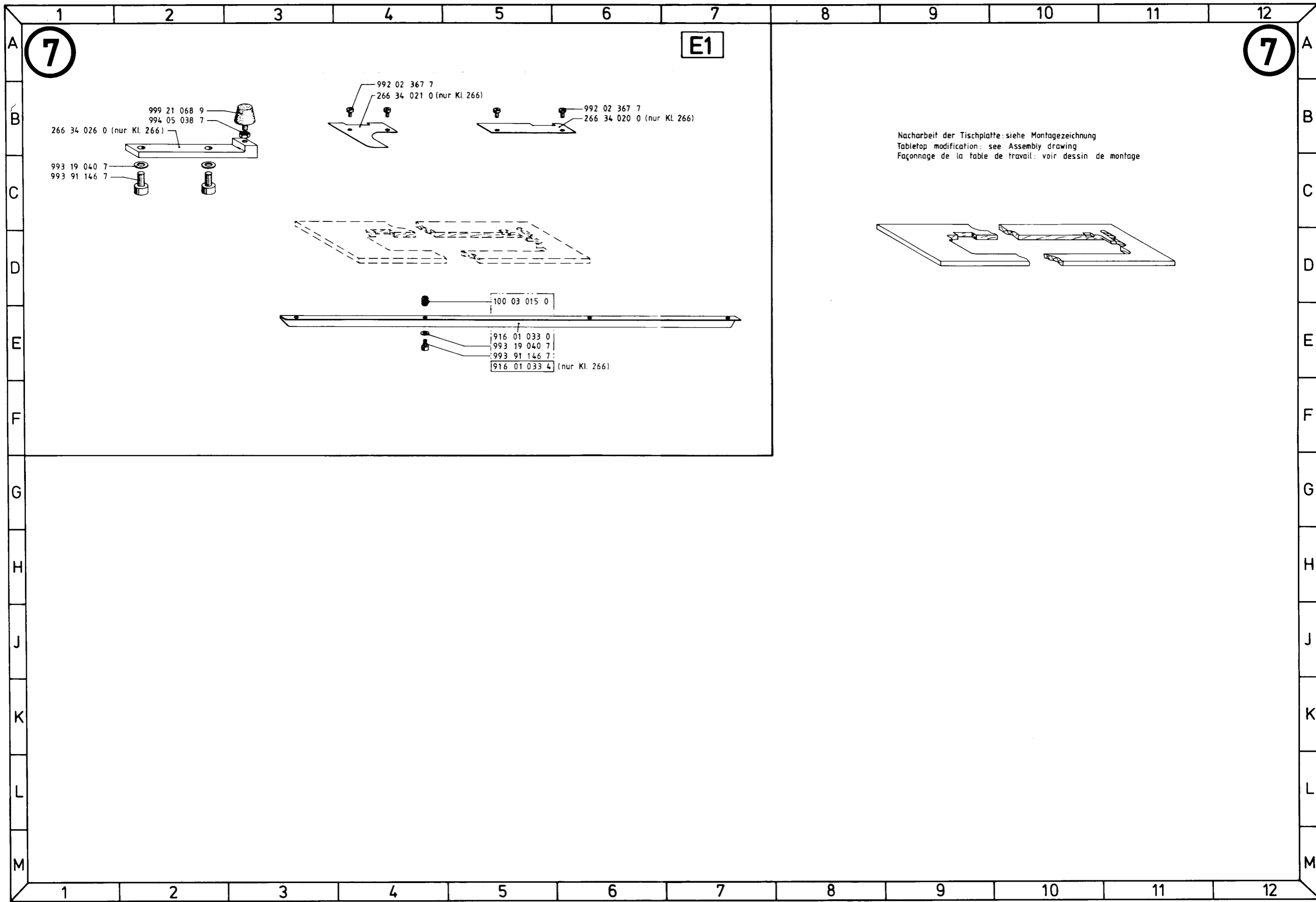
5

C6

C5







Teile-Nr.	Benennung	Bildtafel	Teile-Nr.	Benennung	Bildtafel
SP-WALZEN			K266 34 020 0	ABDECKPLATTE, HI HINTEN	7B6
K100 03 015 0	EINSATZ INSERT 16X23 M8B	7D5 7E5	K266 34 021 0	ABDECKPLATTE, VO VORN	7B4
K168 16 011 0	BOLZEN BOLT	3E4 3F11 4D2 4K2 5F10 5L6	K266 34 022 0	OBERTEILSTUETZE SUPPORT	5F2
K221 10 023 0	SECHSKANTSTUETZ	5B5	K266 34 025 0	HAUBE, VORN	5E1
K221 34 004 0	LEISTE REGLET	2D11	K266 34 026 0	STUETZE SUPPORT	7B1
K221 34 005 0	WELLE, UNTEN	2D8	K266 34 028 0	LASCHE SHACKLE	3D12 4E2 4K2 5E10 5K6
K221 34 006 0	ABDECKUNG COVER	2E7	K266 34 029 0	LUEFTERHEBEL LIFTER LEVER	5L6
K221 34 007 0	DISTANZSTUECK DISTANCE PIECE	2C9 2E11	K266 34 751 9	WALZENTRANSPORT PULLER FEED	
K221 34 010 0	WELLE, OBEN	1E5 1M7 5B7 5G3 6E7	K366 34 001 0	PLATTE	6A6
K221 34 011 0	PLATTE PLATE	5C10	K366 34 002 0	LAGERPLATTE	6A4
K221 34 013 0	LEISTE	2D11	K366 34 003 3	ARM V	6F2
K221 34 015 0	PLATTE PLATE	5B7 5F4	K366 34 004 0	WELLE	6E5
K221 34 016 0	GEM. BOLZEN	1K6	K366 34 005 0	GABEL	6E3
K221 34 017 0	RIEMENSCHUTZ BELT GUARD UNTEN	5A5	K366 34 006 0	LASCHE	6E3
K221 34 018 3	KOPFDECKEL HEAD COVER	5G11	K366 34 010 0	SCHUTZHAUBE	6E9
K221 34 019 0	OELFANGSCHALE OIL DRIP PAN	5H8	K366 34 011 0	SCHUTZHAUBE	6F7
K221 34 021 0	SCHARNIERPLATTE	2F9	K366 34 040 0	PASZSCHRAUBE	6B1
K266 34 001 3	LAGERPLATTE BEARING PLATE	5H6	K366 34 041 0	BOLZEN	6F2
K266 34 005 0	WELLE, UNTEN	2D8	K366 34 042 0	SCHEIBE	6D2
K266 34 007 0	LEISTE REGLET	2D11	K366 34 042 4	HEBEL V	6E1
K266 34 008 0	ABDECKUNG COVER	2E7	K366 34 043 0	LASCHE	6E2
K266 34 009 0	ABDECKUNG COVER	2E7	K366 34 045 3	KONSOLE V	1L4
K266 34 010 0	LEISTE REGLET	2D11	K366 34 046 0	WINKEL	1K3
K266 34 011 0	WELLE/UNTEN	2D8	K366 34 047 0	RIEMENSCHLEIBE D80	1G3
K266 34 013 0	GABEL FORK	4K6 5E7 5K3	K366 34 048 0	ADAPTER	1G4
K266 34 014 3	DRUCKSTANGE PRESSURE ROD	3D9 4D4 4J4 5E7 5J3 6B7 6D6	K366 34 049 3	SCHUTZHAUBE V POLYSTYROL 475 K	1L2
K266 34 015 3	ARM ARM	4L4 5G9 5L5	K366 34 751 9	WALZENTRANSPORT PULLER FEED	
K266 34 016 0	ZUGSTANGE PULL ROD	3E8 4E5 4L5 5F6 5K3 6C9	K396 16 009 0	BUCHSE BUSHING	1D5 1D9 1K7
K266 34 017 0	BOLZEN BOLT	3B9 4B5 4H5 5C8 5G4 6A7	K396 25 018 0	DRUCKFEDER PRESSURE SPRING	3D3 3E9 4D4 4J4 5F7 5K3 6C7
K266 34 019 3	LUEFTERHEBEL LIFTER LEVER	3E12 4D1 4K1 5F10 5L6	K396 33 032 0	ZAHNRIEMEN BELT	2B9 2H4

Teile-Nr.	Benennung	Bildtafel	Teile-Nr.	Benennung	Bildtafel
K467 34 010 0	SPEZIALSCHRAUBE SPECIAL SCREW	3A4 3B9 4B5 4G5 5C8 5G4 6A6	K467 34 044 3	RIEMENSCHLEIBE PULLEY	1E1 1E6 D80
K467 34 011 0	LAGERBOCK PILLLOW BLOCK	3E2	K467 34 045 3	RIEMENSCHLEIBE V D90	1E1 1E6
K467 34 012 0	PLATTE PLATE	3G4	K467 34 046 3	RIEMENSCHLEIBE V D95	1E1 1E6
K467 34 013 0	BOLZEN BOLT	3D2 3E9 4E5 4L5 5F7 5K3 6D6 6F4	K467 34 047 3	RIEMENSCHLEIBE V D100	1E1 1E6
K467 34 015 0	ADAPTER KPL ADAPTER CPL	3F5	K467 34 048 3	RIEMENSCHLEIBE V D85	1E1 1E6
K467 34 016 0	NIPPEL NIPPLE	3C12 3D12 3E5 4E4 4K4 5C10 5D10 5H6 5J6	K467 34 052 0	SCHUTZHAUBE BONNET	2A9 2G4
K467 34 018 0	HEBEL LEVER	3E5	K467 34 053 0	SCHUTZHAUBE BONNET	3B1 4L9 5C5 5G1
K467 34 020 3	HEBEL LEVER	3E5	K467 34 056 0	WELLE SHAFT	3B3 3D10 3F10 4D6 4E4 4K6 4L4 5E8 5G8 5K4 5M4 6G3
K467 34 021 3	KLOBEN BLOCK	3E5	K467 34 058 0	WALZE ROLLER	2E9 2L4
K467 34 022 0	WELLE SHAFT	1E5 1E9 4J7	K467 34 059 0	LEISTE REGLET	2L6
K467 34 023 0	WELLE SHAFT	1F5 1F9 4C7	K467 34 060 0	LAGERBOCK PILLLOW BLOCK	2C7 2H2
K467 34 024 3	ZAHNRIEMENRAD BELT PULLEY	1F4	K467 34 061 0	WELLE SHAFT	2K3
K467 34 026 3	KONSOLE KPL PANEL CPL	1C4 1C9	K467 34 063 3	ZAHNRAD COG WHEEL	2D7 2J3
K467 34 029 0	WINKEL ANGLE	1C4 1C9 1H5	K467 34 064 0	ZAHNRAD COG WHEEL	2D7 2G2
K467 34 030 0	RIEMENSCHLEIBE PULLEY	1A3 1A8	K467 34 065 4	KUPPLUNG COUPLER	1F9 1M6
K467 34 033 0	SCHUTZHAUBE BONNET	1A3 1A8	K467 34 067 0	WINKEL ANGLE	2A7 2F2
K467 34 034 0	WINKEL ANGLE	1D2 1D6	K467 34 068 0	LAGERBOCK PILLLOW BLOCK	2F10 2L4
K467 34 035 3	ZAHNRIEMENRAD BELT PULLEY	1C4 1C9 1J5 3D2 3D9 5E7 5J3 6F8	K467 34 069 0	ABDECKUNG COVER	2L2
K467 34 037 0	HEBEL LEVER	3F4	K467 34 070 3	HALTER HOLDER	3A3 3D7 4F8 4L8 5E5 5K1 6G6
K467 34 038 0	FEDER SPRING	3C4	K467 34 072 0	STEBBOLZEN BOLT	3A3 3E7 4F8 4L8 5E5 5K1 6G6
K467 34 039 0	KLOTZ LOG	3A4	K467 34 073 0	KETTENRAD CHAIN WHEEL	3A3 3B4 3D6 4D8 4F7 4J8 4M7 5C6 5E5 5H2 5J1 6E6
K467 34 040 0	RIEMENSCHUTZ BELT GUARD	1D5 1D9 1L7	K467 34 075 0	FEDER SPRING	3C11 4B1 4H1 4J8 5E9 5K5
K467 34 041 3	RIEMENSCHLEIBE V D50	1D1 1D6	K467 34 079 3	HALTER HOLDER	3C9 4A5 4G5 5D8 5H4 6A6
K467 34 042 3	RIEMENSCHLEIBE PULLEY	1D1 1D6	K467 34 083 0	HEBEL LEVER	3F11 4E3 4K3 5G9 5L5
K467 34 043 3	RIEMENSCHLEIBE PULLEY	1D6 1E1			

Teile-Nr.	Benennung	Bildtafel	Teile-Nr.	Benennung	Bildtafel	Teile-Nr.	Benennung	Bildtafel	Teile-Nr.	Benennung	Bildtafel
K467 34 085 0	LEISTE REGLET	2M6	K965 51 023 0	BOLZEN BOLT	2B7 2J3	K993 30 037 7	SCHEIBE DISC	6D3 6E2	K993 92 109 8	GEW.STIFT M6X6	3E2 3F3 4F5 4L6 6G3
K467 34 086 0	ABDECKUNG COVER	2L2	K980 42 437 0	BUCHSE BUSHING	3D3 4C2 4E3 4J2 4K3	K993 34 057 7	MUTTER NUT	3F4	K993 92 111 7	GEWINDESTIFT THREADED PIN	1G4 2E9 2L4 3F9 3G9 5G8 5L4 5M4
K467 34 087 0	WELLE SHAFT	2K3	K980 45 016 0	WELLE SHAFT	3D3	K993 34 058 7	MUTTER NUT	1D5 1D9 1K6 1L4 3E8 5E6	K993 92 116 7	GEWINDESTIFT THREADED PIN	2B7 2G2
K467 34 088 3	ARM ARM	3F11 4F4	K990 12 007 1	KEILRIEMEN V BELT	1B3 1B8	K993 34 059 7	MUTTER NUT	5K2 6C1 4E5 4L5 6C9	K993 92 126 7	GEWINDESTIFT THREADED PIN	3F5
K467 34 089 3	ARM ARM	3D8 4D6	K990 12 007 2	KEILRIEMEN V BELT	1B3 1B8	K993 91 102 7	SCHRAUBE SCREW	1E4 3F11 4E8 4L8 5G9 5L5	K993 95 081 8	GEWINDESTIFT THREADED PIN	3A3 3D6 4F7 4L7 5E5 JJ1
K467 34 090 0	GABEL FORK	3E9 4D6	K990 12 009 0	KEILRIEMEN V BELT	1B3 1B8 1G3	K993 91 102 8	SCHRAUBE SCREW	6C3 6D6 6G6 6D3	K993 97 098 7	SCHRAUBE SCREW	1B1 1B6 1H1 2A9 2D7 2E7 2G4 2H1 2J2 2K2 3B1 3B7 4E9 4K9 5B5 5G1 6E9 6F2 6F7
K467 34 091 0	SCHUTZHAUBE BONNET	3B7 4E9	K990 12 011 9	KEILRIEMEN V BELT	1B8	K993 91 103 7	SCHRAUBE SCREW	1E9 3D4 3E5 3E12 4D3 4E4	K994 03 201 7	SCHRAUBE SCREW	2F11
K467 34 095 0	SCHEIBE DISC	3D2 3D6 4D8 4F7 4M7 5E5 5J1 6E6 6G6	K992 00 534 0	ROLLE ROLLER	6A8	K993 91 104 7	SCHRAUBE SCREW	4K3 4K4 5F10 5K6	K994 04 281 7	SCHRAUBE SCREW	5A7
K467 34 128 3	WALZE ROLLER	3E2 3F9 4F5 4L6 5G8 5M3	K992 02 367 7	SCHRAUBE SCREW	7B4 7B6	K993 91 106 7	SCHRAUBE SCREW	3E5 3F11 4E2 4K2 5G10 5L6 6B3	K994 04 284 7	SCHRAUBE SCREW	5G4
K467 34 161 0	PLATTE PLATE	4B2	K993 03 178 7	SENKSCHRAUBE SCREW	2C9 2E11 2H4 2L6	K993 91 106 8	ZYL.SCHR. MSX20	1E5 1E9 1L7 3C10 3D10 3F4 4E3 4K3 5C8 5E8 5H4 5J4 6A3 6C3 4C2 4H2	K994 04 292 7	SCHRAUBE SCREW	1E2 1E7 1L3
K467 34 162 0	PLATTE PLATE	4G2	K993 03 788 7	SENKSCHRAUBE SCREW	4C2 4H2	K993 91 108 7	SCHRAUBE SCREW	4B2 4G2	K994 05 037 7	MUTTER NUT	3D12 4E2 5E10 5K6
K467 34 752 9	WALZENTRANSPORT PULLER FEED		K993 06 142 7	SCHRAUBE SCREW	3B7	K993 91 110 7	SCHRAUBE SCREW	3F4	K994 05 038 7	MUTTER NUT	1D2 1D6 1E2 1E3 1E7 1E8 1L3 2A7 2B7 2F2 4C4 4H4 4J4 4K2 7B2
K467 34 753 9	WALZENTRANSPORT PULLER FEED		K993 06 156 7	SCHRAUBE SCREW	3D2 3D7 5E5 5G11 5K1	K993 91 123 7	SCHRAUBE SCREW	1E3 1E8 1J5	K994 05 040 7	MUTTER NUT	1E2 1E7 1K6 1L3 5F4
K467 34 754 9	WALZENTRANSPORT PULLER FEED		K993 11 134 6	SENKSCHRAUBE SCREW	2E9 2K3	K993 91 124 7	SCHRAUBE SCREW	1D4 1D9 1K6 3C4 3C11 5C8 5H4	K994 05 903 0	GKT.MUTTER M6	6B7 6C5
K477 34 001 0	PLATTE PLATE	3C12	K993 19 036 7	SCHEIBE DISC	3B3	K993 91 125 7	SCHRAUBE SCREW	1D2 1D5 1D6 1D9 1K3	K994 38 064 8	SPANNHUELSE CLAMPING SLEEVE	3E2
K477 34 002 0	LEISTE REGLET	2D11	K993 19 037 7	SCHEIBE DISC	1L7 3D2 3D4 3D7 3E12 3F4	K993 91 126 8	ZYL.SCHR. M6X20	6D6	K994 38 068 8	SPANNHUELSE CLAMPING SLEEVE	2D7 2H2
K477 34 003 0	WELLE SHAFT	3A8	K993 19 038 7	SCHEIBE DISC	1C4 1C9 1D2 1D5 1D6 1D9 1E5 1E9 1F2 1F3 1F7 1F8	K993 91 128 7	ZYL.SCHR. M6X25	4B1 4H1	K994 38 107 8	SPANNHUELSE CLAMPING SLEEVE	2F11 2M6
K477 34 004 0	WELLE SHAFT	2D8	K993 19 039 7	SCHRAUBE SCREW	1J5 1K3 1K6 1L4 2A7 2G2 3C4 3C11 4B1 4C4 4H1 4J4 5C8 5H4 6B7	K993 91 146 7	SCHRAUBE SCREW	7C1 7E5	K994 38 129 8	SPANNHUELSE CLAMPING SLEEVE	6C1
K477 34 005 0	ABDECKUNG COVER	2E7	K993 19 040 7	SCHEIBE DISC	1E2 1E7 1K6 1L3 2F11 5A7 5F4 7C1 7E5	K993 92 099 8	GEW.STIFT MSX6 45H SCHWARZ	1C4 1C9 1J5 4C7 4J7 6D8 6F8	K994 39 513 0	HUTMUTTER CAPNUT	1L4
K477 34 006 0	ABDECKUNG COVER	2C6				K993 92 100 8	GEWINDESTIFT THREADED PIN	1G3			
K477 34 011 0	BOLZEN	6C2									
K477 34 015 0	HEBEL	6D1									
K477 34 751 9	WALZENTRANSPORT PULLER FEED										
K699 97 940 3	SCHLAUCH 4,0LWX1,0 PA11	6B9									
K699 97 940 0	SCHLAUCH 2,7LWX0,65 PA11	4B6 4H6									
K916 01 033 0	WINKEL ANGLE	7E5									
K916 01 033 4	WINKEL ANGLE	7E5									
K961 40 244 3	ZAHNRIEMENRAD BELT PULLEY	1E9 1M6 3B4 3B9 4C7 4J7 5B8 5G4 6D8									

eile-Nr.	Benennung	Bildtafel	Teile-Nr.	Benennung	Bildtafel
994 46 111 8	ZYL.SCHR. M6X12	2M6 6D5	K999 21 081 5	ZAHNRIEMEN BELT	1C4 1C9 1J5
994 46 112 7	ZYL.SCHR. M6X16	6B3		BT 5/ 365	
994 80 145 7	SCHLEIBE DISC	3D12 3F11 4E4 4K2 5E10 5G10	K999 21 083 1	GELLENKLAGER BEARING	3B9 4B5 4G5 5C8 5G4 6A6
996 01 086 8	SICHERGSSRING CIRCLIP	5K6 5L6 6G3 3D2 4E6 4K6 6G3	K999 21 088 5	GEHAEUSE HOUSING	1E3 1E8 1L5 3B10 3C4 4B2
996 01 088 8	SICHERGSSRING CIRCLIP	2E9 2F10 2M4		12 X 28,6	4H2 5C8 5H4 6C8
996 02 118 8	SICHERGSSRING CIRCLIP	2E9 2F10 2M4	K999 21 088 6	ZAHNRIEMEN BELT	3A8 3B4 3D9 4C7 4H7 5B7 5D7 5G3
996 07 006 8	SICHERGSSSCHEIBE SAFETY DISC	6E2		12T 5/ 255	5J3 6D8
996 07 007 8	SICHERGSSSCHEIBE SAFETY DISC	3B7 3E5 3E12 4B6 4D1 4H6	K999 22 047 6	HUELSE BUSH	
996 07 010 8	SICHERGSSSCHEIBE SAFETY DISC	4K1 5C6 5F10 5H2 5L6 6A9		A4X0,3X10	
996 08 656 0	RI KUGELLAGER BALL BEARING	2C7 2F10 2G2 2M4	K999 22 051 9	VENTIL VALVE	
996 12 042 0	STELLRING ADJ RING	6F4		MANUELL- G1/8"	
996 13 136 0	KUGELKNOPF SPHERIC BUTTON	3F4 4C1 4H1 6D1	K999 22 067 4	ZYLINDER CYLINDER	3B7 4B6 4H6 5C6 5H2 6A9
996 40 002 0	ROLLENKETTE CHAIN	3B7 3C1 4F7 4L7 5C6 5G2 6G5	K999 22 076 4	VENTIL VALVE	
996 40 002 3	KETTENGLIED CHAIN LINK	3C1 3C6 4F8 4M8 5D5 5J1 6G5		ODER-ELEM.STECKBAR	
996 40 002 5	KETTENGLIED CHAIN LINK	3C1 3D7 4F7 4L7 5D5 5J1 6G5	K999 23 052 3	NADELHUELSE NEEDLE SOCKET	3A3 3D7 4D8 4K8 5E5 5J1 6E6
998 88 208 0	PASS SCHEIBE WASHER	6E6		HK 0609	
999 19 021 8	KAPPE CAP	5B5 5F2	K999 23 056 3	NADELHUELSE NEEDLE SOCKET	2D7 2J3
999 21 068 9	PUFFER BUFFER	7B2		HK 0912	
999 21 081 4	DRUCKSTUECK PRESSURE PIECE	6C5	K999 23 210 3	NADELHUELSE NEEDLE SOCKET	3A4 3D10 3E7 3F11 3G4 4D6
				HK 1012	4F4 4F7 4K6 4L4 5K1 5K4 5L5 6E5
			K999 24 038 5	VERSCHRAUBUNG COUPLING	6F2 6G4 4C6 4H6
				R 1/8"D 4	
			K999 24 039 2	VERSCHRAUBUNG COUPLING	6B9
				R 1/8"D 6	
			K999 29 003 2	GETRIEBE KPL GEAR CPL	1B4 1B9 1H5
				SK 4	