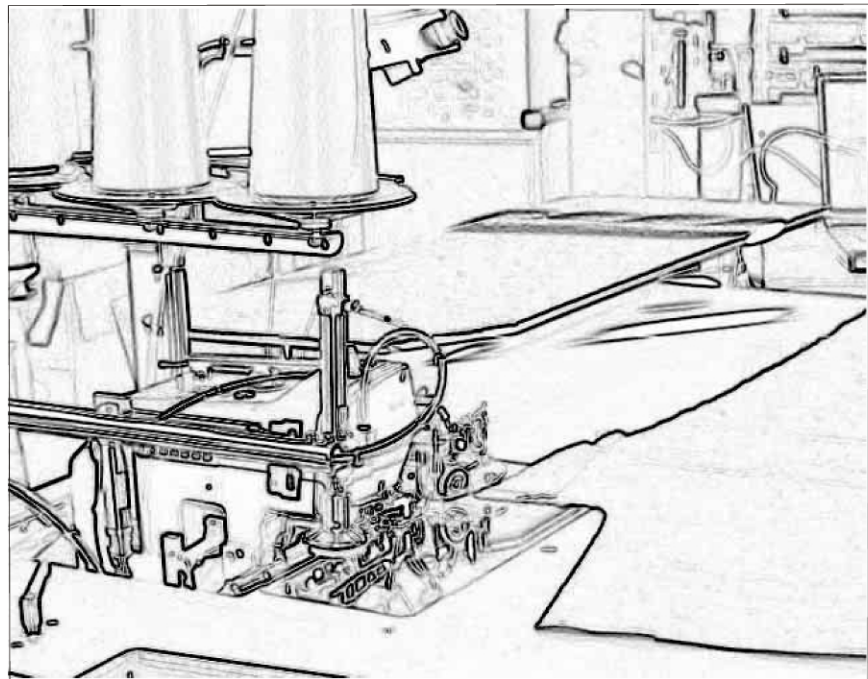




1220/5

Einkopf-Umstech-Automat Automatic single head serging unit



TEILELISTE SPARE PART LIST

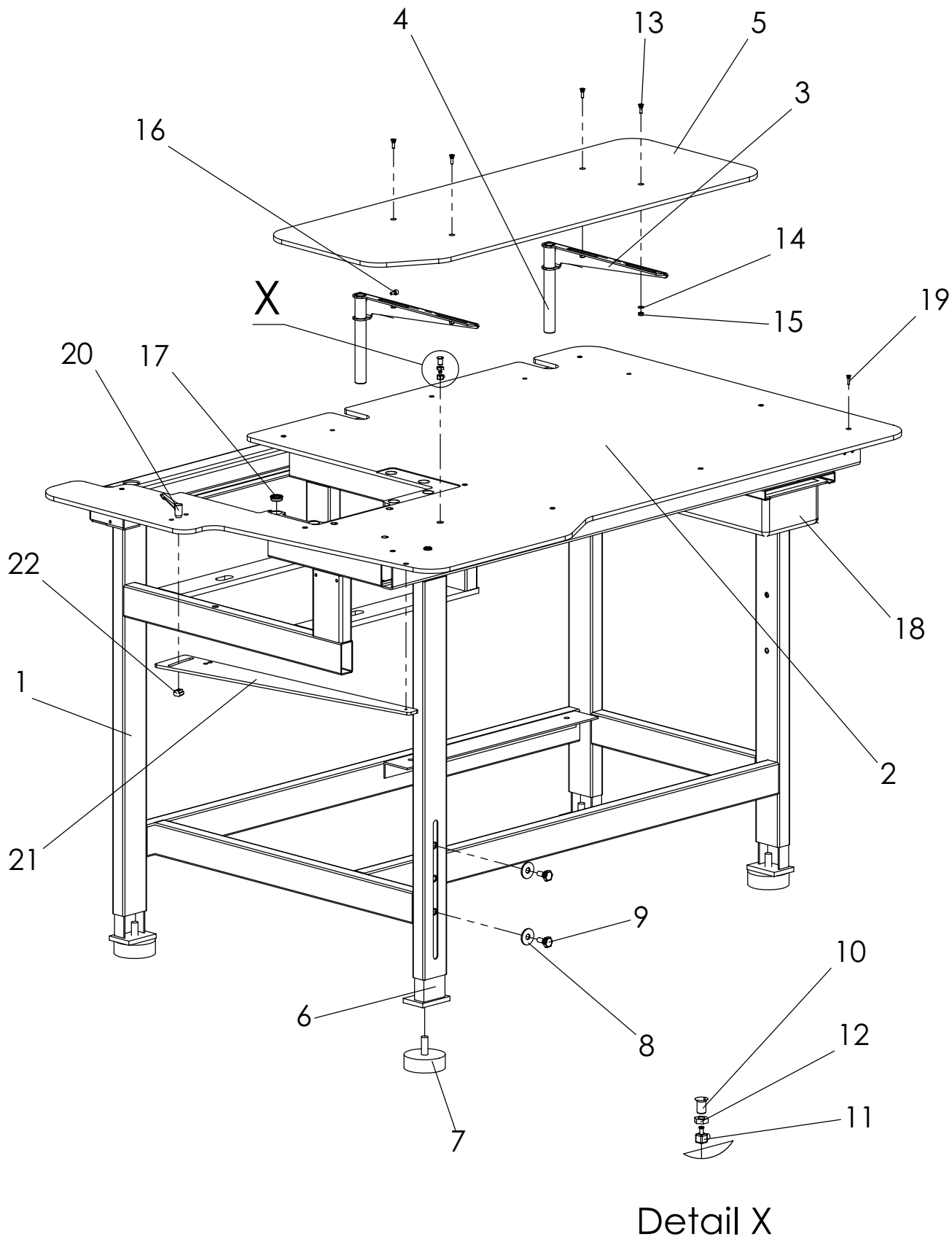
DocNr.:DOC 000008 / Version 1

Stand 11.02.2004

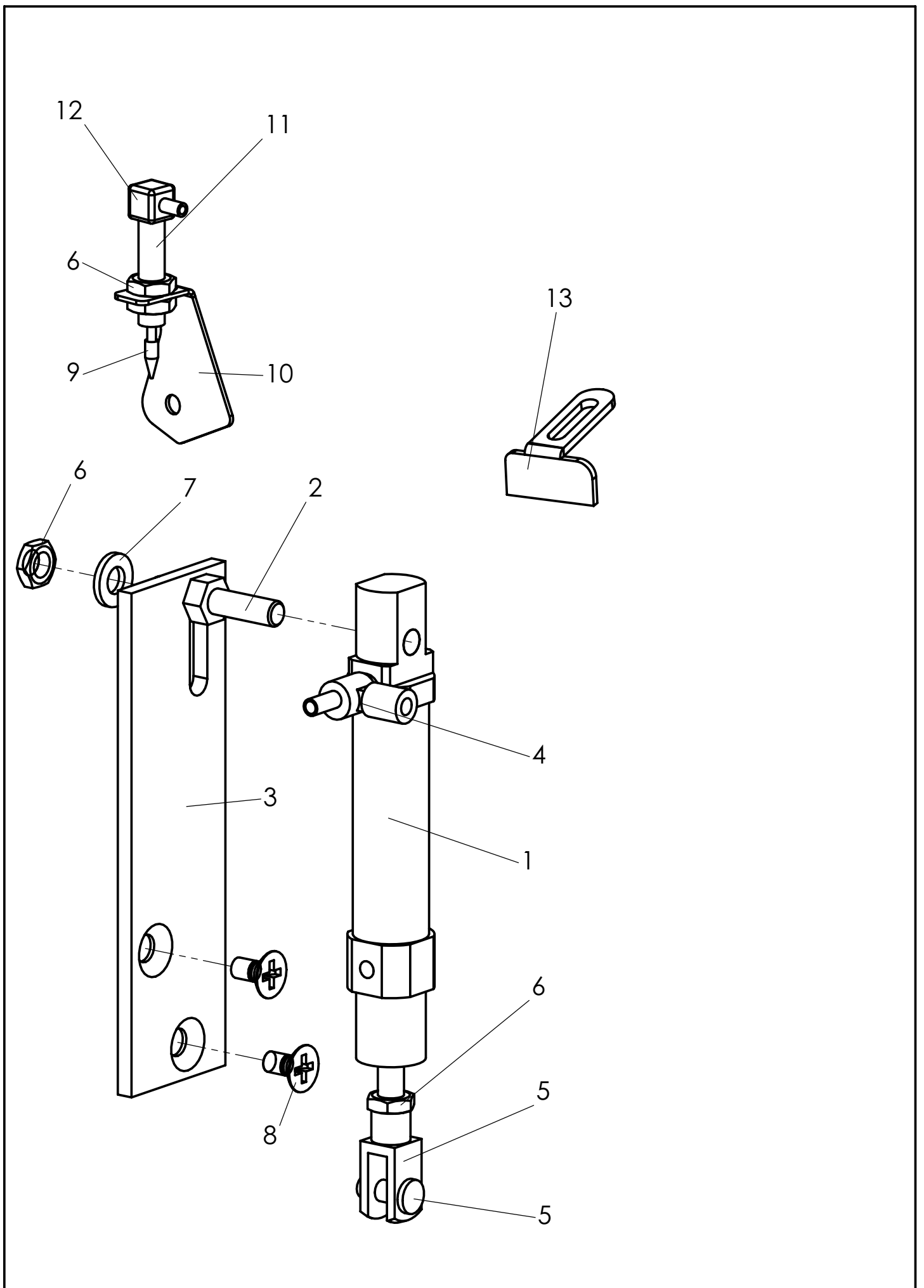
INHALTSVERZEICHNIS 1220/5

14.04.2004

| BENNENUNG | TAFEL PAGE | NAME |
|------------------|---------------|--------------------|
| TISCHTEILE | 1 | TABLE PARTS |
| OBERTEIL EX | 2 | SEWING HEAD EX |
| OBERTEIL S52 | 3 | SEWING HEAD S52 |
| KONTURENFÜHRUNG | 4 | CONTOUR GUIDE |
| SCHMUTZABSAUGUNG | 5 | DIRL SUCTION |
| STAPLER | 6+7 | STAPLER |
| STEMPEL | 8 | STAMP |
| DIREKT ANTRIEB | 9 | DIRECT DRIVE |
| VENTILVERTEILUNG | 10 | VALVE DISTRIBUTION |
| STEUERUNG | 11 | CONTROL |



| NR. No. | STÜCK PIECE | ARTIKEL NR. ARTICLE NO. | BEZEICHNUNG | NAME | NR. No. | STÜCK PIECE | ARTIKEL NR. ARTICLE NO. | BEZEICHNUNG | NAME | |
|------------|----------------|----------------------------|-----------------------|-------------------|------------|----------------|----------------------------|-------------|------|--------|
| 1 | 1 | 011305-00 | Tischgestell | table frame | | | | | | |
| 2 | 1 | 011441-00 | Tischplatte | table plate | | | | | | |
| 3 | 2 | 011451-00 | Haltearm | holding arm | | | | | | |
| 4 | 2 | 006290-00 | Rohr | tube | | | | | | |
| 5 | 1 | 011472-00 | Ablageplatte | rack plate | | | | | | |
| 6 | 4 | 006586-00 | Stellfuß - Stellplatz | set foot | | | | | | |
| 7 | 4 | 1600455-00 | Gummipuffer | rubber stopper | | | | | | |
| 8 | 8 | DIN 9021 10-5 | Scheibe | washer | | | | | | |
| 9 | 8 | DIN 933-M10x20 | Sechskantschraube | screw | | | | | | |
| 10 | 5 | 002379-00 | Luftdüse | air jet | | | | | | |
| 11 | 5 | 1400341-00 | Verschraubung | screw joint | | | | | | |
| 12 | 5 | 002381-00 | Mutter | nut | | | | | | |
| 13 | 4 | DIN 965 A M5x16 | Senkschraube | countersunk screw | | | | | | |
| 14 | 4 | DIN 125 A5,3 | Scheibe | washer | | | | | | |
| 15 | 4 | DIN 934 M5 | Mutter | nut | | | | | | |
| 16 | 2 | DIN 912 M5x10 | Zylinderschraube | cylinder screw | | | | | | |
| 17 | 6 | 1900541-00 | Haftmagnet | magnet | | | | | | |
| 18 | 1 | 2400818-00 | Schubkasten | drawer | | | | | | |
| 19 | 11 | DIN 965 A M4x16 | Senkschraube | countersunk screw | | | | | | |
| 20 | 1 | 1600453-00 | Klemmhebel | clamp lever | | | | | | |
| 21 | 1 | 008436-00 | Schwert | sword | | | | | | |
| 22 | 1 | 005580-00 | Nutenstein | position stone | | | | | | |
| Tafel 1 | | | | | Tischteile | | | | | 1220-5 |



Tafel 2

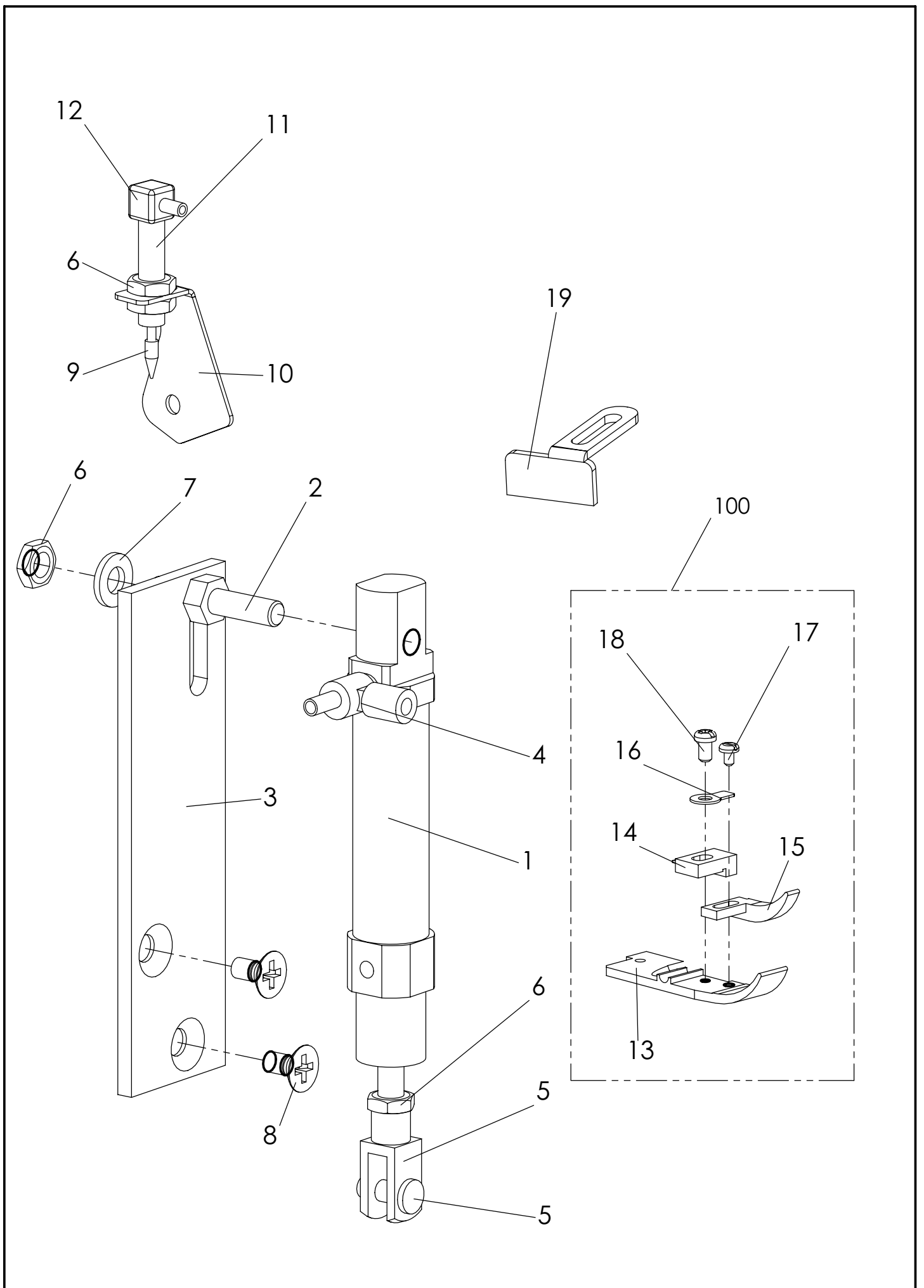
Oberteil EX

1220-5

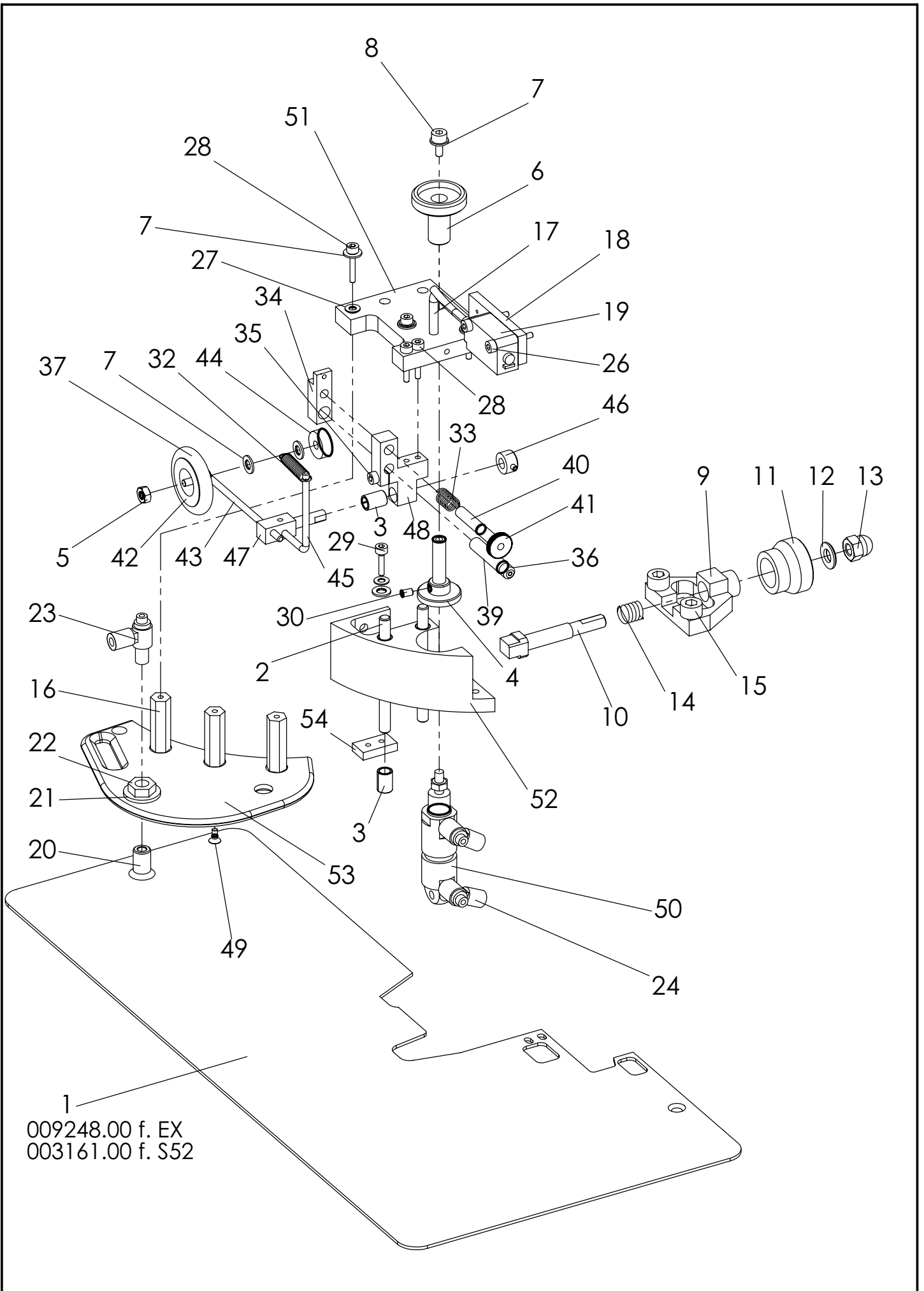
| NR. No. | STÜCK PIECE | ARTIKEL NR. ARTICLE NO. | BEZEICHNUNG | NAME |
|------------|----------------|----------------------------|--------------------|-------------------|
| 1 | 1 | 1000172-00 | Zylinder | cylinder |
| 2 | 1 | 4404-00-1330 | Stehbolzen | stay bolt |
| 3 | 1 | 004397-00 | Zylinder Halter | cylinder holder |
| 4 | 1 | 007418-00 | Drossel | throttle valve |
| 5 | 1 | 1000099-00 | Gabelkopf | swivel head |
| 6 | 4 | DIN 439-M6 | Sechskantmutter | nut |
| 7 | 1 | DIN 125 A6,4 | Scheibe | washer |
| 8 | 2 | DIN 965-M6x10 | Senkschraube | countersunk screw |
| 9 | 1 | 009923-00 | Stift | tack |
| 10 | 1 | 9780-00-1281 | Winkel | square |
| 11 | 1 | 1000120-00 | Zylinder | cylinder |
| 12 | 1 | 1400341-00 | Verschraubung | screw joint |
| 13 | 1 | 011043-00 | Führung Nacharbeit | |

| NR. No. | STÜCK PIECE | ARTIKEL NR. ARTICLE NO. | BEZEICHNUNG | NAME |
|------------|----------------|----------------------------|-------------|------|
| | | | | |

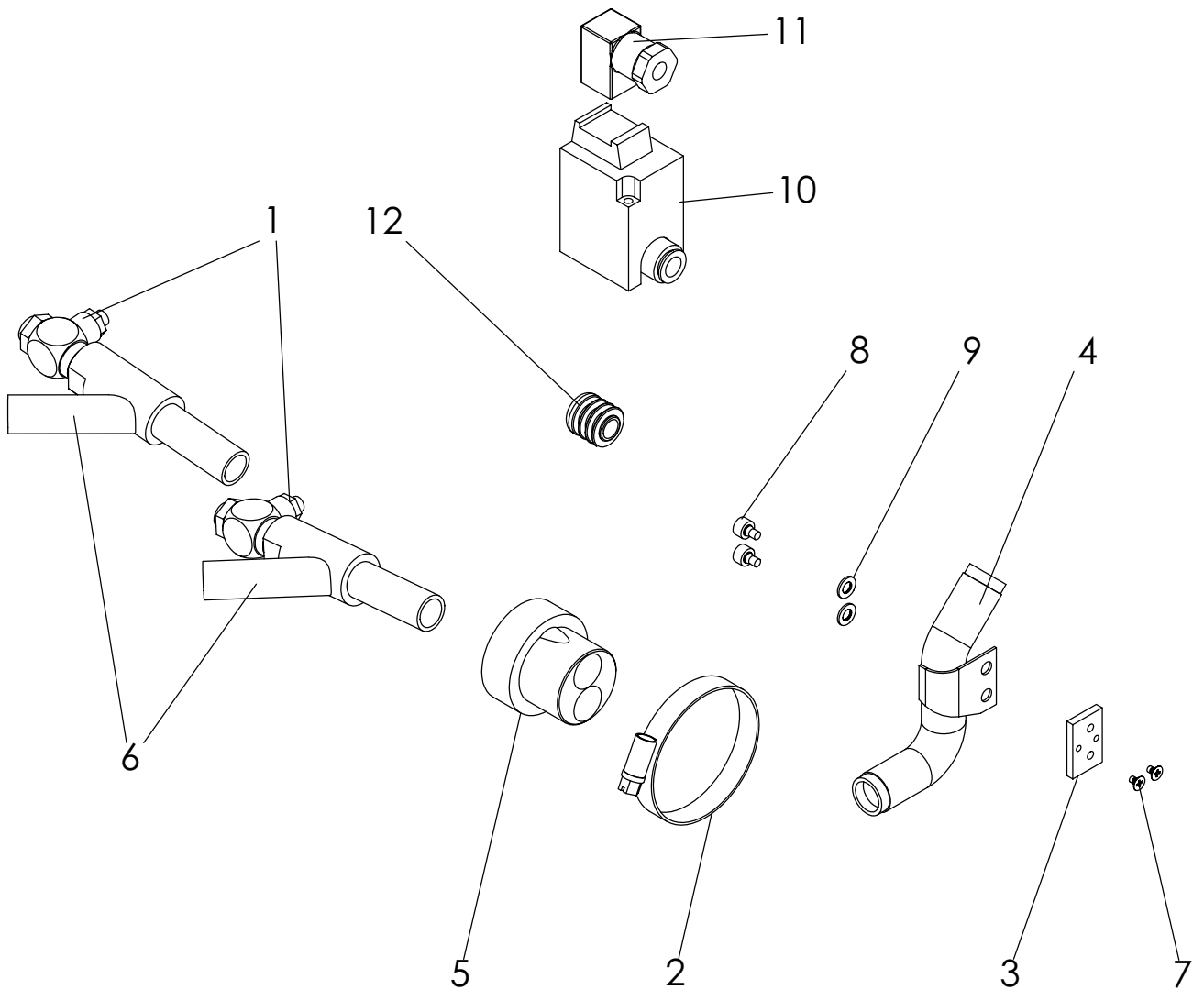
| | | |
|---------|-------------|--------|
| Tafel 2 | Oberteil EX | 1220-5 |
|---------|-------------|--------|



| NR. No. | STÜCK PIECE | ARTIKEL NR. ARTICLE NO. | BEZEICHNUNG | NAME | NR. No. | STÜCK PIECE | ARTIKEL NR. ARTICLE NO. | BEZEICHNUNG | NAME |
|------------|----------------|----------------------------|------------------|-------------------|------------|----------------|----------------------------|-------------|------|
| 1 | 1 | 1000172-00 | Zylinder | cylinder | | | | | |
| 2 | 1 | 4404-00-1330 | Stehbolzen | stay bolt | | | | | |
| 3 | 1 | 004397-00 | Zylinder Halter | cylinder holder | | | | | |
| 4 | 1 | 007418-00 | Drossel | throttle valve | | | | | |
| 5 | 1 | 1000099-00 | Gabelkopf | swivel head | | | | | |
| 6 | 4 | DIN 439-M6 | Sechskantmutter | nut | | | | | |
| 7 | 1 | DIN 125 A6,4 | Scheibe | washer | | | | | |
| 8 | 2 | DIN 965-M6x10 | Senkschraube | countersunk screw | | | | | |
| 9 | 1 | 009923-00 | Stift | tack | | | | | |
| 10 | 1 | 9780-00-1281 | Winkel | square | | | | | |
| 11 | 1 | 1000120-00 | Zylinder | cylinder | | | | | |
| 12 | 1 | 1400341-00 | Verschraubung | screw joint | | | | | |
| 13 | 1 | 004758-00 | Nähfuss | sewing foot | | | | | |
| 14 | 1 | 006141-00 | Kettelzunge | chain tongue | | | | | |
| 15 | 1 | 002946-00 | Stoffführung | fabric guide | | | | | |
| 16 | 1 | 3300039-00 | Blattfeder | leaf spring | | | | | |
| 17 | 1 | 3300223-00 | Schraube | screw | | | | | |
| 18 | 1 | 3300219-00 | Schraube | screw | | | | | |
| 19 | 1 | 011470-00 | Führung | guide | | | | | |
| 100 | 1 | 3300316-00 | Nähfuss komplett | sewing foot | | | | | |
| Tafel 3 | | | OBERTEIL S52 | | | | | 1220-5 | |



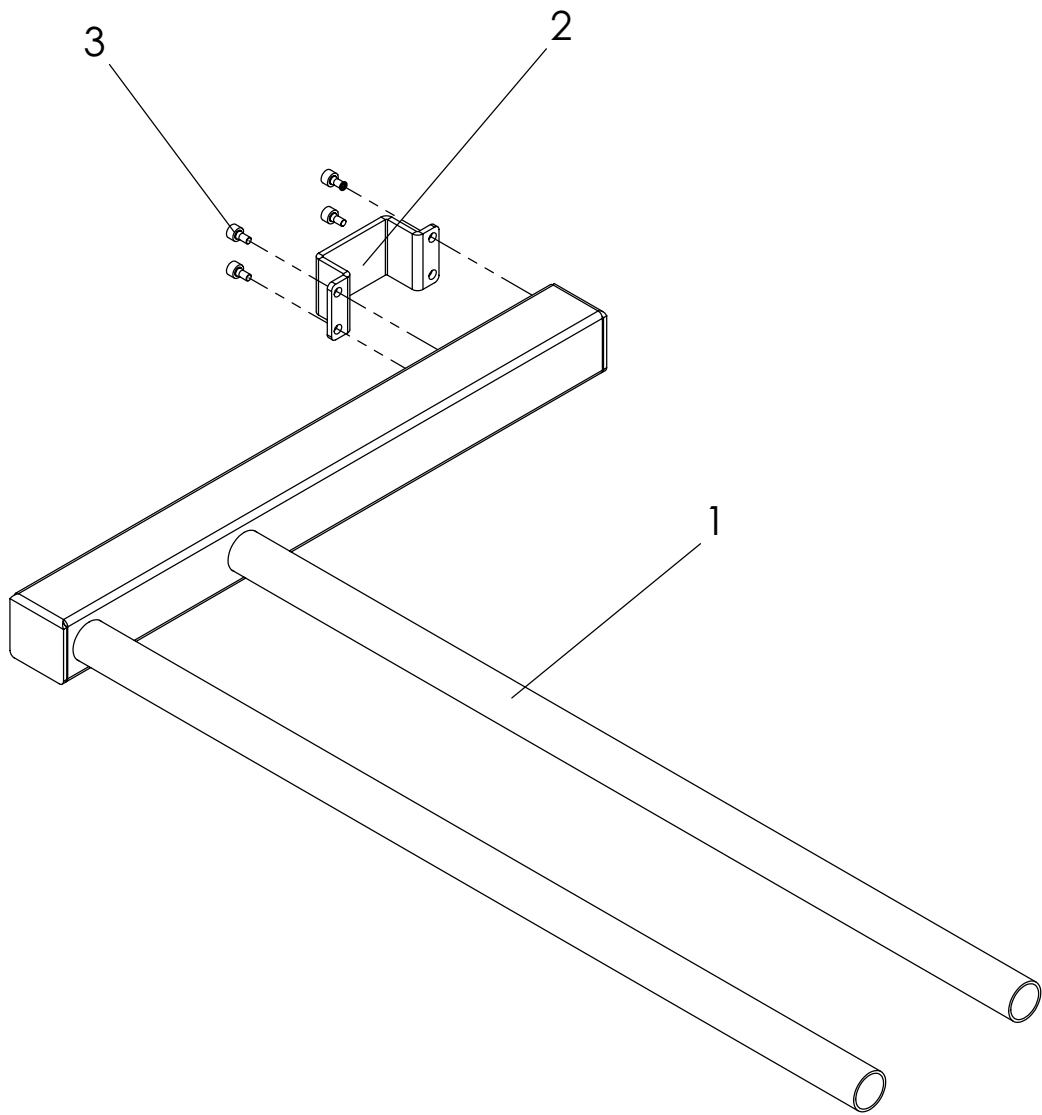
| NR. No. | STÜCK PIECE | ARTIKEL NR. ARTICLE NO. | BEZEICHNUNG | NAME | NR. No. | STÜCK PIECE | ARTIKEL NR. ARTICLE NO. | BEZEICHNUNG | NAME | |
|------------|----------------|----------------------------|-------------------|----------------------------|------------|----------------|----------------------------|----------------|-------------------|--|
| 1 | 1 | 003161-00 | Einlegeplatte S52 | inlay plate S52 | 40 | 1 | 008428-00 | Stehbolzen | stay bolt | |
| | 1 | 006248-00 | Einlegeplatte EX | inlay plate EX | 41 | 1 | 004984-00 | Raendelmutter | milled nut | |
| 2 | 2 | 002390-00 | Welle | shaft | 42 | 1 | 002382-00 | Rolle | roll | |
| 3 | 5 | 1500426-00 | DU-Buchse | DU-bushing | 43 | 1 | 002383-00 | Rollenhalter | roll holder | |
| 4 | 1 | 002372-00 | Einschiebebolzen | bolt | 44 | 1 | 1500373-00 | Kugellager | ball bearing | |
| 5 | 2 | DIN 934 M4 | Mutter | nut | 45 | 1 | 002386-00 | Rollenhebel | roller lever | |
| 6 | 1 | 002370-00 | Einstellschraube | adjusting Screw | 46 | 1 | 1600463-00 | Stelling | set collar | |
| 7 | 8 | DIN 125 A4,3 | Scheibe | washer | 47 | 1 | 010630-00 | Klemmwelle | clamping shaft | |
| 8 | 1 | DIN 912 M4x8 | Zylinderschraube | cylinder screw | 48 | 1 | 008430-00 | Rollenhalter | roll holder | |
| 9 | 1 | 002398-00 | Höhen-Anschlag | vertical clearance | 49 | 2 | DIN 965 A M3x6 | Senkschraube | countersunk screw | |
| 10 | 1 | 002388-00 | Anschlag welle | stop unit shaft | 50 | 1 | 1000045-00 | Zylinder | cylinder | |
| 11 | 1 | 002397-00 | Stellschraube | adjusting screw | 51 | 1 | 002472-00 | Führungsbügel | guide bow | |
| 12 | 1 | DIN 125 B6,4 | Scheibe | washer | 52 | 1 | 002471-00 | Führung | guide | |
| 13 | 1 | DIN 1587 M6 | Hutmutter | cap nut | 53 | 1 | 011000-00 | Führungsplatte | guide plate | |
| 14 | 1 | 1700476-00 | Druckfeder | pressure spring | 54 | 1 | 010969-00 | Platte | plate | |
| 15 | 2 | DIN 912 M6x8 | Zylinderschraube | cylinder screw | | | | | | |
| 16 | 3 | 009305-00 | Distanzbolzen | spacer bolt | | | | | | |
| 17 | 1 | 008398-00 | Halter | holder | | | | | | |
| 18 | 1 | 009804-00 | Fotozellenhalter | photocell holder | | | | | | |
| 19 | 1 | 2100743-04 | Fotозelle | photocell | | | | | | |
| 20 | 1 | 002379-00 | Luftdüse | air jet | | | | | | |
| 21 | 1 | DIN 125 A8,4 | Scheibe | washer | | | | | | |
| 22 | 1 | 002381-00 | Mutter | nut | | | | | | |
| 23 | 1 | 7418-00 | Drossel | throttle valve | | | | | | |
| 24 | 2 | 006927-00 | Abluftdrossel | exhaust air throttle valve | | | | | | |
| 25 | 1 | DIN 912 M3x8 | Zylinderschraube | cylinder screw | | | | | | |
| 26 | 2 | DIN 912 M3x20 | Zylinderschraube | cylinder screw | | | | | | |
| 27 | 5 | DIN125 A3,2 | Scheibe | washer | | | | | | |
| 28 | 5 | DIN 912 M3x16 | Zylinderschraube | cylinder screw | | | | | | |
| 29 | 2 | DIN 912 M3x12 | Zylinderschraube | cylinder screw | | | | | | |
| 30 | 3 | DIN 913 M4x5 | Gewindestift | set screw | | | | | | |
| 31 | 1 | DIN 913 M3x5 | Gewindestift | set screw | | | | | | |
| 32 | 1 | 1700449-00 | Zugfeder | spring | | | | | | |
| 33 | 1 | 1700462-00 | Druckfeder | pressure spring | | | | | | |
| 34 | 1 | 008429-00 | Halter | holder | | | | | | |
| 35 | 1 | DIN 912 M3x10 | Zylinderschraube | cylinder screw | | | | | | |
| 36 | 1 | 002387-00 | Druckstück | thrust piece | | | | | | |
| 37 | 1 | 1100129-00 | O-Ring | o-ring | | | | | | |
| 38 | 1 | DIN 6799 3,2 | Sicherungsscheibe | lock washer | | | | | | |
| 39 | 1 | 1000120-00 | Zylinder | cylinder | | | | | | |
| Tafel 4 | | | Konturenführung | | | | | | 1220-5 | |



| NR. No. | STÜCK PIECE | ARTIKEL NR. ARTICLE NO. | BEZEICHNUNG | NAME |
|------------|----------------|----------------------------|--------------------|-------------------|
| 1 | 2 | 1100191-00 | Ventil | valve |
| 2 | 1 | 1100252-00 | Schlauchklemme | tube Clamp |
| 3 | 1 | 2406-00-1320 | Absaug-Befestigung | vacuum fastening |
| 4 | 1 | 2407-00-1320 | Absaugung | suction |
| 5 | 1 | 8811-00-1220 | Verteiler | distributor |
| 6 | 2 | 3300231-00 | Luftdüse | air jet |
| 7 | 2 | DIN 965-M3x4 | Senkschraube | countersunk screw |
| 8 | 2 | DIN 912-M4x5 | Zylinderschraube | cylinder screw |
| 9 | 2 | DIN 125 A4,3 | Scheibe | washer |
| 10 | 1 | 1100161-30 | Ventil | valve |
| 11 | 1 | 1100161-31 | Steckdose | socket |
| 12 | 1 | 2500877-00 | Gleiter | glider |

| NR. No. | STÜCK PIECE | ARTIKEL NR. ARTICLE NO. | BEZEICHNUNG | NAME |
|------------|----------------|----------------------------|-------------|------|
| | | | | |

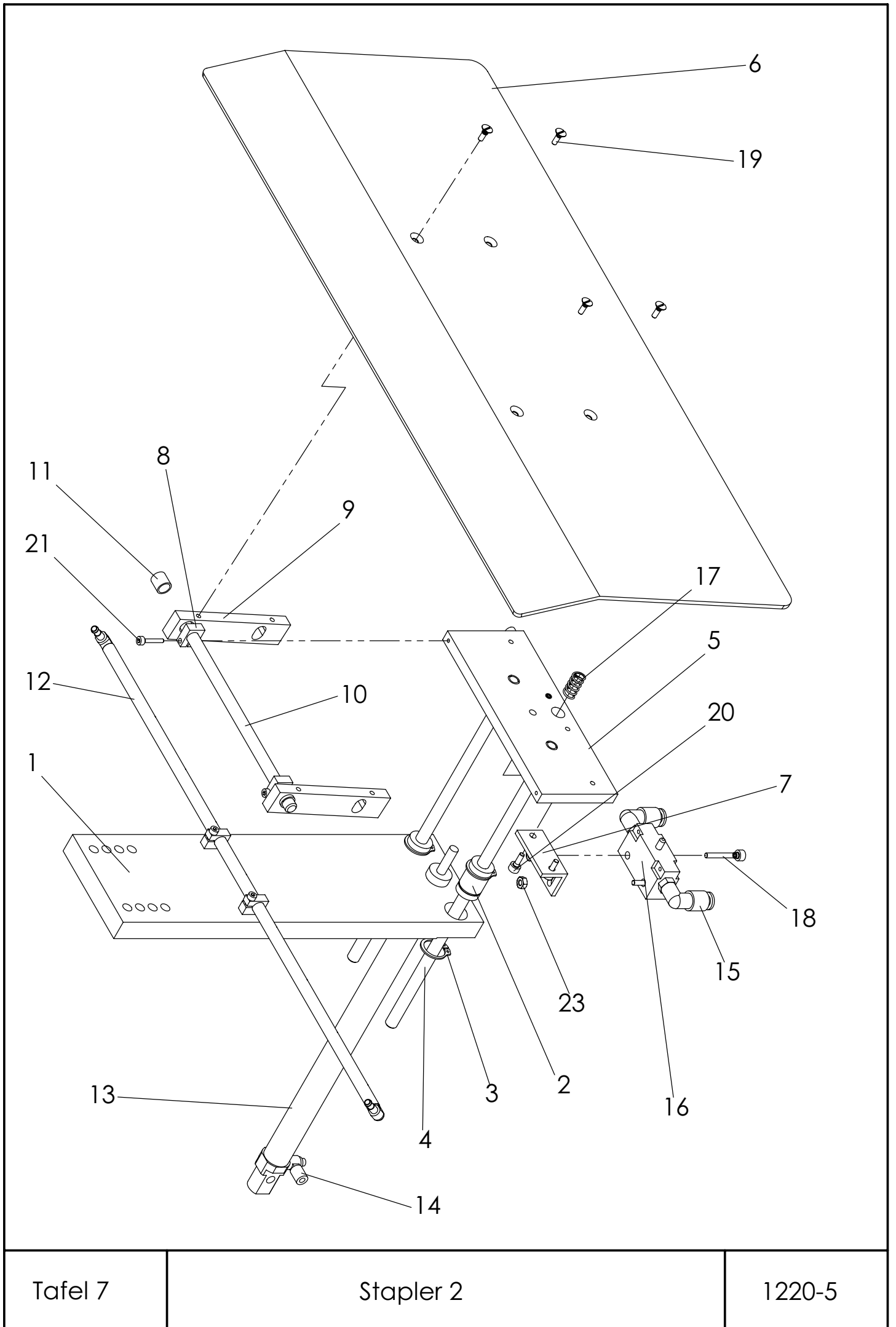
| | | |
|---------|------------------|--------|
| Tafel 5 | Schmutzabsaugung | 1220-5 |
|---------|------------------|--------|



| NR. No. | STÜCK PIECE | ARTIKEL NR. ARTICLE NO. | BEZEICHNUNG | NAME |
|------------|----------------|----------------------------|------------------|----------------|
| 1 | 1 | 011468-00 | Stapler | stacker |
| 2 | 1 | 011469-00 | Schelle | clip |
| 3 | 4 | DIN 912 M6x10 | Zylinderschraube | cylinder screw |

| NR. No. | STÜCK PIECE | ARTIKEL NR. ARTICLE NO. | BEZEICHNUNG | NAME |
|------------|----------------|----------------------------|-------------|------|
|------------|----------------|----------------------------|-------------|------|

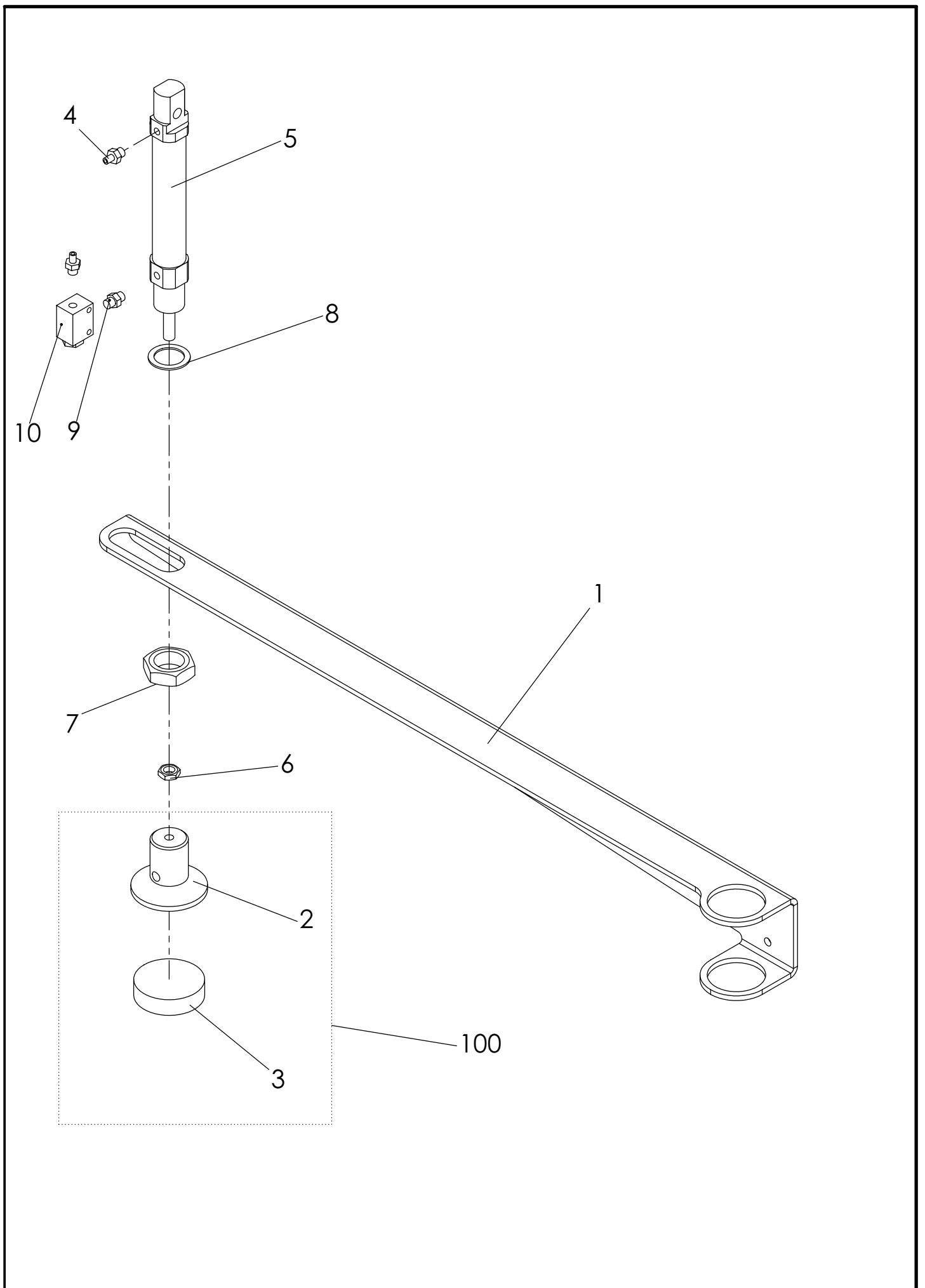
| | | |
|---------|-----------|--------|
| Tafel 6 | Stapler 1 | 1220-5 |
|---------|-----------|--------|



| NR. No. | STÜCK PIECE | ARTIKEL NR. ARTICLE NO. | BEZEICHNUNG | NAME |
|------------|----------------|----------------------------|------------------|----------------------------|
| 1 | 1 | 008432-00 | Platte | plate |
| 2 | 2 | 1500454-00 | Kugelbuchse | sleeve |
| 3 | 4 | 1500455-00 | Sicherungsring | circlip |
| 4 | 2 | 005470-00 | Welle | shaft |
| 5 | 1 | 008438-00 | Platte | plate |
| 6 | 1 | 008437-00 | Klemmplatte | clamp plate |
| 7 | 1 | 008426-00 | Winkel | angle |
| 8 | 4 | 000349-00 | Klemme | clamp |
| 9 | 2 | 008427-00 | Halter | holder |
| 10 | 1 | 003770-00 | Welle | shaft |
| 11 | 2 | 1500429-00 | Buchse | bushing |
| 12 | 1 | 008431-00 | Blasrohr | blowing pipe |
| 13 | 1 | 1000241-00 | ZYLINDER | cylinder |
| 14 | 2 | 006927-00 | Abluftdrossel | exhaust air throttle valve |
| 15 | 2 | 1300287-00 | Verschraubung | screw joint |
| 16 | 1 | 1100329-00 | Ventil | valve |
| 17 | 1 | 1700482-00 | Druckfeder | pressure spring |
| 18 | 2 | DIN 912 M4x25 | Zylinderschraube | cylinder screw |
| 19 | 4 | DIN 963A M4x10 | Senkschraube | countersunk screw |
| 20 | 2 | DIN 912 M4x10 | Zylinderschraube | cylinder screw |
| 21 | 4 | DIN 912 M3x16 | Zylinderschraube | cylinder screw |
| 22 | 1 | DIN 912 M4x8 | Zylinderschraube | cylinder screw |
| 23 | 2 | DIN 934 M4 | Mutter | nut |

| NR. No. | STÜCK PIECE | ARTIKEL NR. ARTICLE NO. | BEZEICHNUNG | NAME |
|------------|----------------|----------------------------|-------------|------|
|------------|----------------|----------------------------|-------------|------|

| | | |
|---------|-----------|--------|
| Tafel 7 | Stapler 2 | 1220-5 |
|---------|-----------|--------|



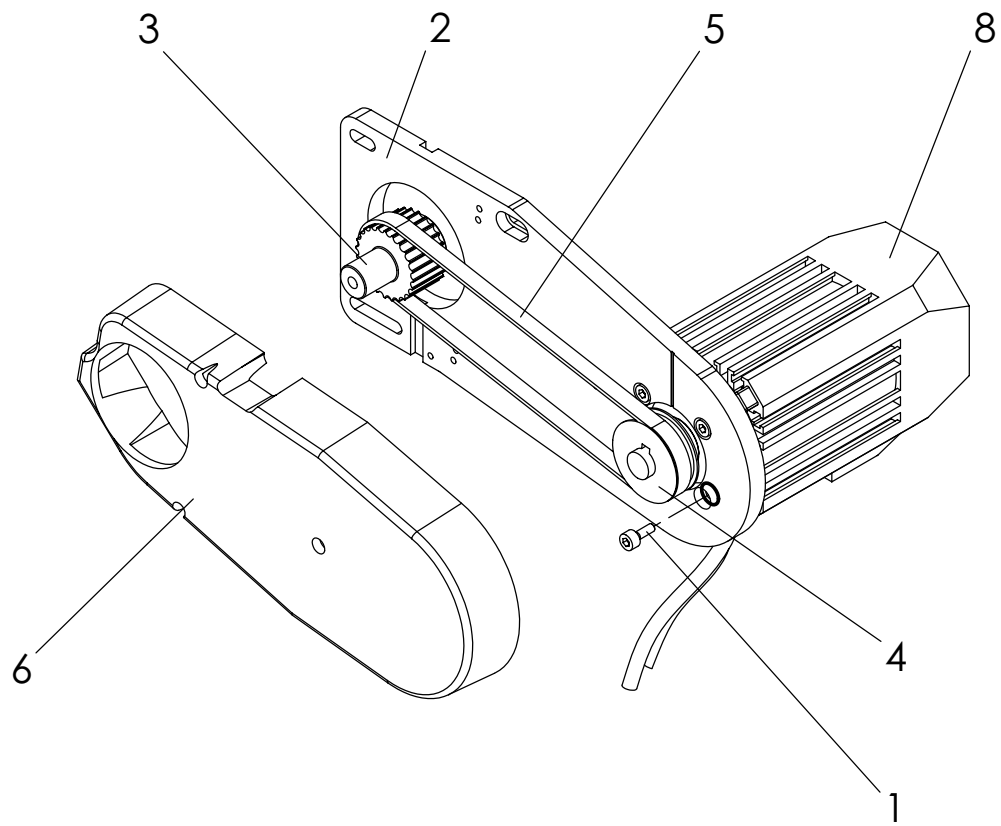
| NR. No. | STÜCK PIECE | ARTIKEL NR. ARTICLE NO. | BEZEICHNUNG | NAME |
|------------|----------------|----------------------------|------------------|-------------|
| 1 | 1 | 011498-00 | Haltearm | holding arm |
| 2 | 1 | 008028-01 | Stempel | punch |
| 3 | 1 | 8028-02-1350 | Stempelbelag | stamp shoe |
| 4 | 2 | 1400343-00 | Verschraubung | screw joint |
| 5 | 1 | 1000144-00 | Zylinder | cylinder |
| 6 | 1 | DIN 439-M6 | Sechskantmutter | nut |
| 7 | 1 | DIN 439 M16 | Mutter | nut |
| 8 | 1 | DIN 988-20x14x1 | Passscheibe | shim ring |
| 9 | 1 | 1300310-00 | Verschraubung | screw joint |
| 10 | 1 | 1100281-00 | Ventil | valve |
| 100 | 1 | 008029-00 | Stempel komplett | punch kpl. |

| NR. No. | STÜCK PIECE | ARTIKEL NR. ARTICLE NO. | BEZEICHNUNG | NAME |
|------------|----------------|----------------------------|-------------|------|
| | | | | |

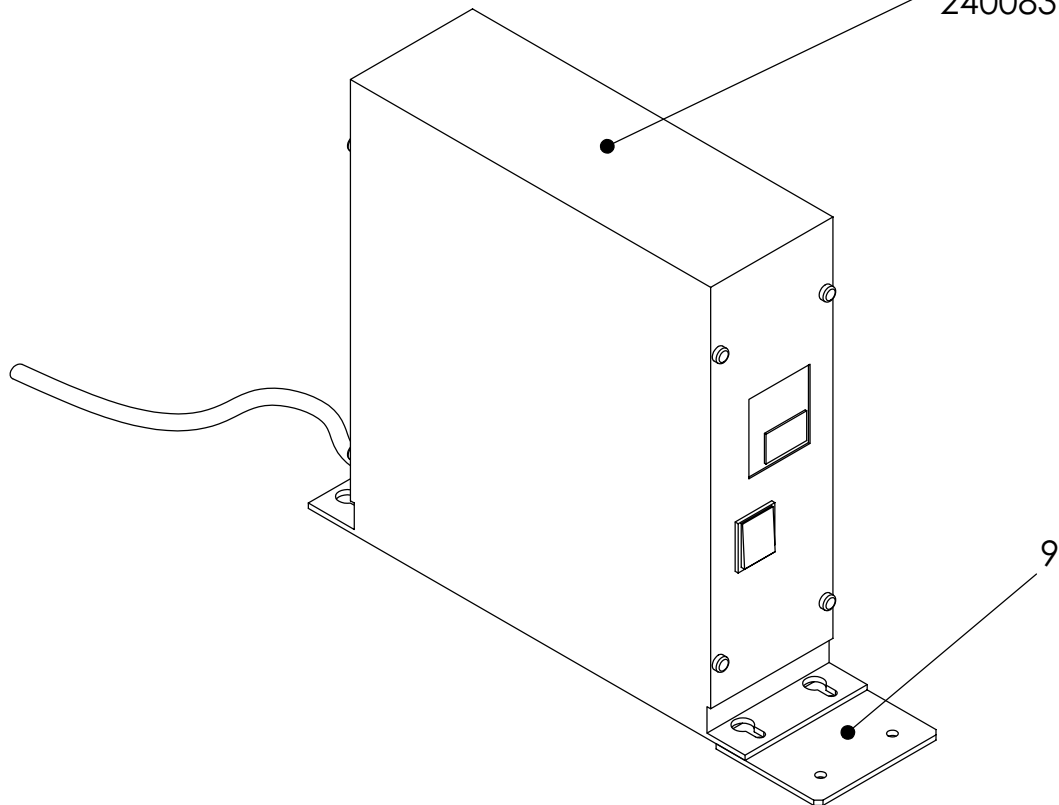
Tafel 8

Stempel

1220-5



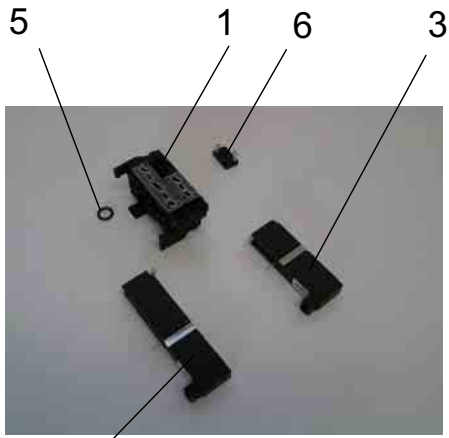
2400836.08.10 deutsch
 2400836.08.11 english



| | | |
|---------|---------------|--------|
| Tafel 9 | Direktantrieb | 1220-5 |
|---------|---------------|--------|

| NR. No. | STÜCK PIECE | ARTIKEL NR. ARTICLE NO. | BEZEICHNUNG | NAME |
|------------|----------------|----------------------------|------------------|-------------------|
| 1 | 4 | DIN 912 M5x12 | Zylinderschraube | cylinder screw |
| 2 | 1 | 011379-00 | Motorplatte | motor plate |
| 3 | 1 | 011473-00 | Zahnrad | gear wheel |
| 4 | 1 | 011474-00 | Zahnrad | gear wheel |
| 5 | 1 | 2500960-00 | Zahnriemen | toothed belt |
| 6 | 1 | 3301045-00 | Riemenschutz | belt quard |
| 7 | 1 | siehe Zeichnung | Steuerung | main control unit |
| 8 | 1 | 2400826-52 | Motor | motor |
| 9 | 1 | 011539-00 | Adapterplatte | adapter plate |

| NR. No. | STÜCK PIECE | ARTIKEL NR. ARTICLE NO. | BEZEICHNUNG | NAME |
|------------|----------------|----------------------------|-------------|------|
| | | | | |

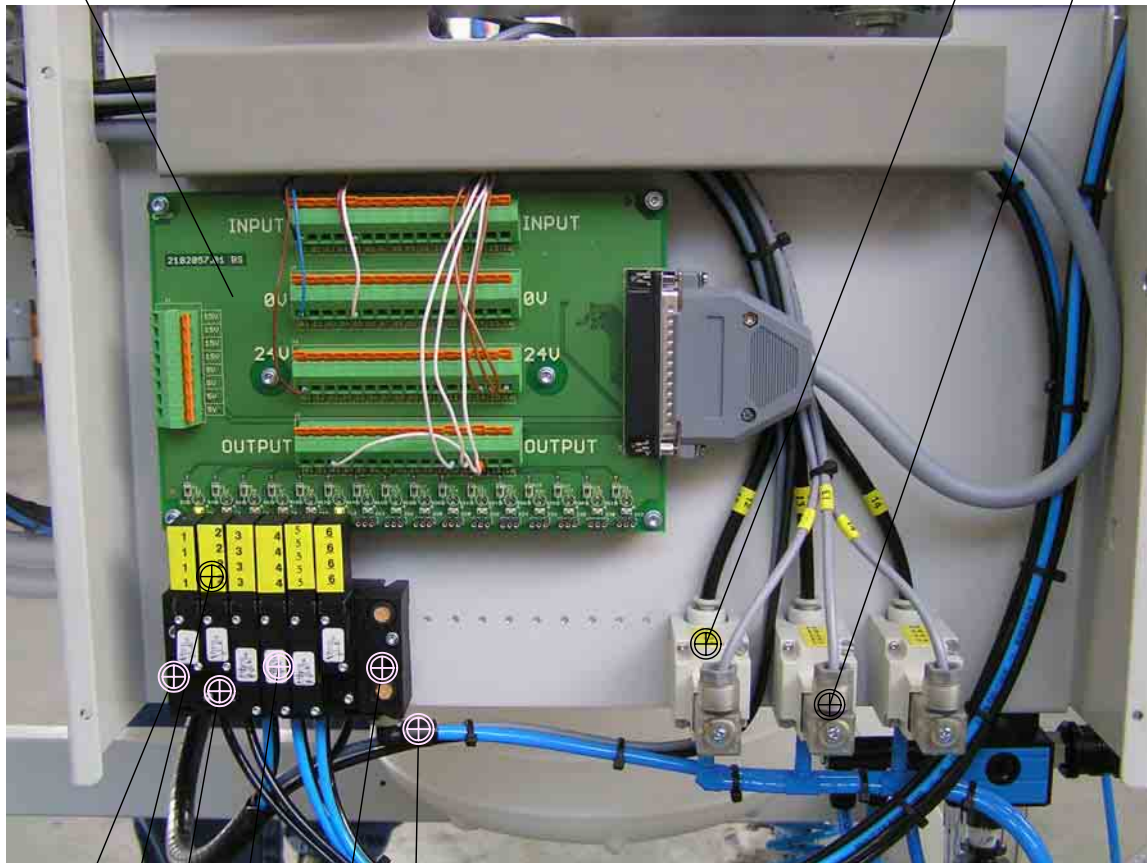


4

12

10

11



9

3

6

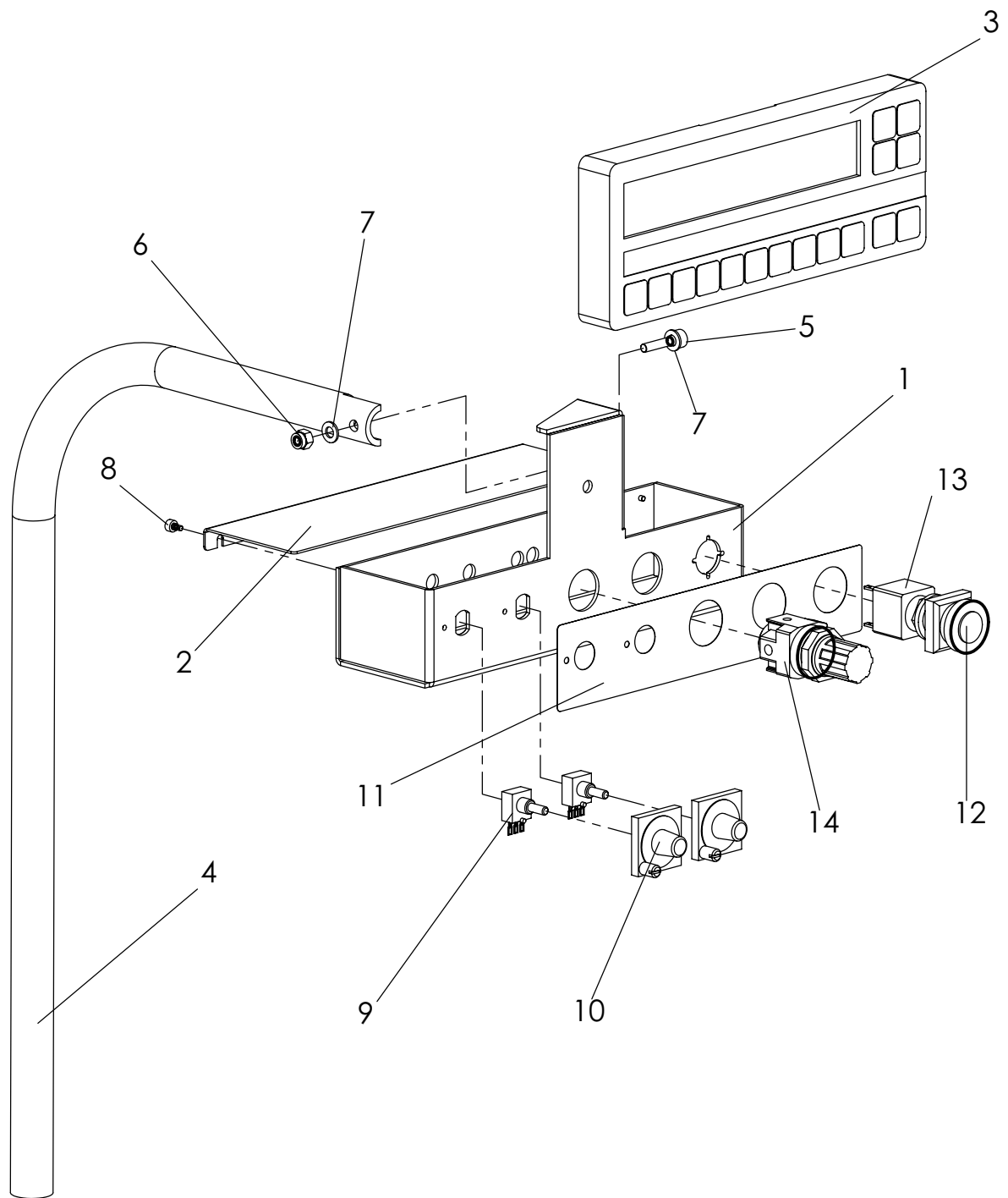
4

8

2

| NR. No. | STÜCK PIECE | ARTIKEL NR. ARTICLE NO. | BEZEICHNUNG | NAME |
|------------|----------------|----------------------------|---------------------|-------------------------------|
| 1 | 8 | 1100500-11 | 2er Grundplatte | connection plate for 2 valves |
| 2 | 1 | 1300287-00 | Verschraubung | screw joint |
| 3 | 3 | 1100500.03 | Ventil 3/2 Wege | valve 3/2 |
| 4 | 10 | 1100500.05 | Ventil 5/2 Wege | valve 5/2 |
| 5 | 16 | 1100500.99 | O-Ring Dichtung | O-ring gasket |
| 6 | 6 | 1100500.07 | Blindverschluss 3/2 | blind closure 3/2 |
| 8 | 1 | 1100500.01 | Anschlussplatte | connection block |
| 9 | 1 | 1100500.02 | Endplatte | final block |
| 10 | 3 | 1100161-30 | Ventil | valve |
| 11 | 3 | 1100161-31 | Steckdose | socket |
| 12 | 1 | 2102057.00 | Verteilung | distribution |

| NR. No. | STÜCK PIECE | ARTIKEL NR. ARTICLE NO. | BEZEICHNUNG | NAME |
|------------|----------------|----------------------------|-------------|------|
| | | | | |



| NR. No. | STÜCK PIECE | ARTIKEL NR. ARTICLE NO. | BEZEICHNUNG | NAME |
|------------|----------------|----------------------------|----------------------|--------------------|
| 1 | 1 | 011461-00 | Gehäuse | housing |
| 2 | 1 | 011463-00 | Deckel | cover |
| 3 | 1 | 2400836-01 | Bedienfeld | display |
| 4 | 1 | 9160-00-1365 | Bedienfeldhalter | display holder |
| 5 | 1 | DIN 912 M5x20 | Zylinderschraube | cylinder screw |
| 6 | 1 | DIN 6924 M5 | Sechskantmutter | nut |
| 7 | 2 | DIN 125 A5,3 | Scheibe | washer |
| 8 | 2 | DIN 912 M3x5 | Zylinderschraube | cylinder screw |
| 9 | 2 | 1500536-00 | Potentiometer | potentiometer |
| 10 | 2 | 1500536-02 | Einstellskala | adjust scale |
| 11 | 1 | 011538-00 | Beschriftungsschild | label |
| 12 | 1 | 2100759-00 | NOT-AUS-TASTE | emergency button |
| 13 | 1 | 2100760-00 | Kontaktgeber 1Ö + 1S | contact unit |
| 14 | 1 | 1200274-00 | Druckregler | pressure regulator |

| NR. No. | STÜCK PIECE | ARTIKEL NR. ARTICLE NO. | BEZEICHNUNG | NAME |
|------------|----------------|----------------------------|-------------|------|
| | | | | |

| | | |
|----------|-----------|--------|
| Tafel 11 | Steuerung | 1220-5 |
|----------|-----------|--------|

