

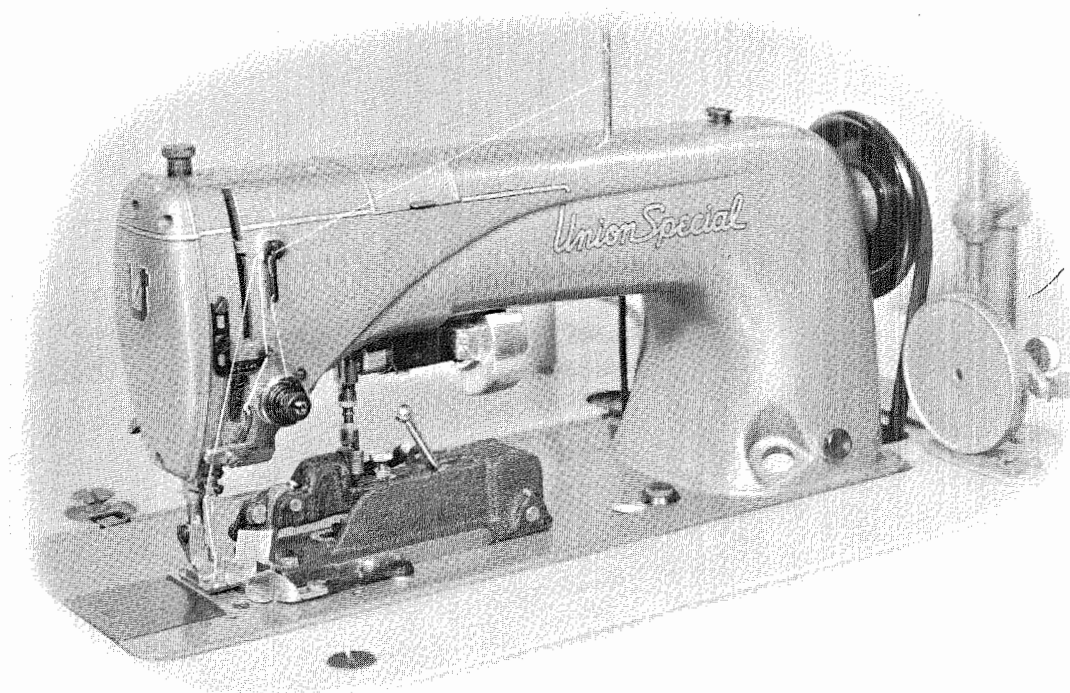
FINEST QUALITY

Union Special®

LEWIS • COLUMBIA

INDUSTRIAL
SEWING
MACHINES

CLASS
61900



CATALOG
NO.
T108 N

LIST OF PARTS FOR STYLES

61900 N 61900 P

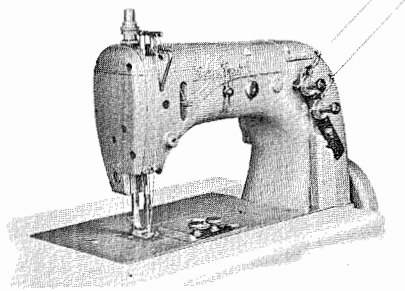
Union Special MACHINE COMPANY

CHICAGO

INDUSTRIAL SEWING MACHINES

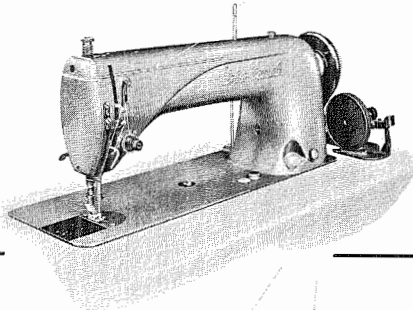
... for Every Purpose!

Job requirements vary — that's why Union Special builds a wide variety of specially designed sewing machines. It is also the reason why Union Special field representatives make a careful study of requirements before giving you detailed recommendations on the kind of equipment to install. Plants equipped with modern, high speed Union Specials have an important advantage. Union Special machines are built to do the job faster . . . better . . . cheaper, and they stay on the job with minimum time out for repairs. You're ahead when you use Union Special.



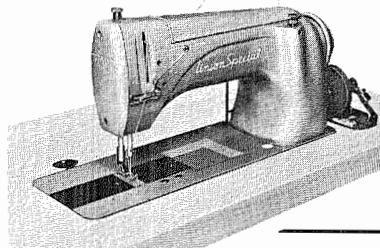
50000 SERIES MACHINES

The thousands of manufacturers using Union Special's new 50000 SERIES machines are finding these ultra-modern, streamlined models to be invaluable aids in cutting costs of operations and boosting production of a wide variety of products. Each of the many machines in the improved 50000 SERIES is specially designed to do a specific job efficiently, quickly, and economically!



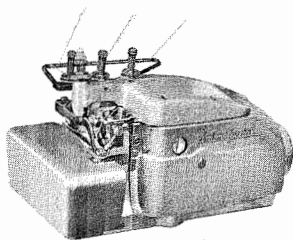
THE 61400 LOCKSTITCH

Never before has a general purpose Lockstitch machine been so thoroughly engineered for handling modern industrial sewing requirements! And never has a machine offered more than the new Union Special SIXTY-ONE-FOUR — a superior machine for light or heavy weight work . . . for short runs as well as long . . . for tacking and back stitching . . . for curved seams and straight runs.



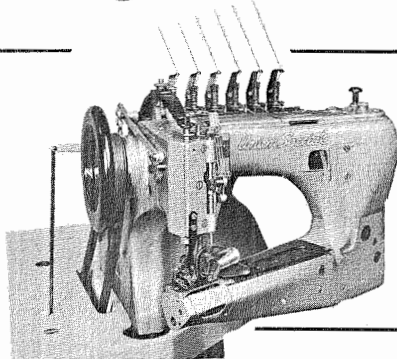
NEEDLE FEED LOCKSTITCH MACHINES

Latest improvements in engineering, manufacturing methods, and materials have been combined in Union Special Class 61800 and Class 62200 needle feed Lockstitch machines providing operators with smooth, streamlined, light-running machines that reduce fatigue and strain. It's no wonder that manufacturers in plants throughout the country are praising the superior performance of these ultra-modern machines!



THE NEW CLASS 39500 OVEREDGER

This new development antiquates every machine presently on the market for use where a curved needle machine is recommended. From its handsome, dynamically functional, modern design to its innermost mechanism, the THIRTY-NINE-FIVE has been produced to accelerate quicker . . . run faster . . . operate more smoothly and quietly . . . with less maintenance . . . and yield a greater profit than any other like equipment available to users today.



35700-35800 FEED-OFF-THE-ARM MACHINES

Union Special's popular feed-off-the-arm felling machines are light running, smooth operating machines that offer great advantages: sewing head of the latest type, new presser bar which practically eliminates feed marking, and presser foot which will lift at the lightest touch. Faster felling is certain with Union Special Class 35700-35800 feed-off-the-arm machines.

Catalog No. T108 N

LIST OF PARTS

CLASS 61900

Styles

61900 N

61900 P

The parts listed in this catalog are
furnished at list prices for repairs only.

First Edition

Copyright 1961

by

Union Special Machine Co.
Rights Reserved in All Countries

Union Special
MACHINE COMPANY
INDUSTRIAL SEWING MACHINES
CHICAGO

Printed in U.S.A.

IDENTIFICATION OF MACHINES

Each Union Special machine is identified by a Style number which is stamped into the name plate on the machine.

Machines similar in construction are grouped by a class number, which contains no letters. Example: "61900". Letters suffixed to a class number indicates the standard Style of a machine. Example: "61900 N". The letter "Z" is reserved as a suffix to the standard Style identification to specify machine is of "Special" construction. Example: "61900 NZ".

APPLICATION OF CATALOG

This catalog applies specifically to the standard styles of machines as listed herein. It can also be applied with discretion to some Special styles of machines in Class 61900. References to direction, such as right, left, front, back, etc., are taken from the operator's position while seated at the machine. Operating direction of handwheel is toward the operator.

STYLES OF MACHINES IN CLASS 61900

Streamlined Flat Bed Lockstitch Machine, Single Needle, Light Duty, Prepared for Pinking Attachment, Needle Feed and Drop Feed, Rotary Hook, Horizontal Hook Shaft, Push Button Stitch Regulator, One Reservoir Enclosed Automatic Lubricating System for Main Driving Mechanism, Separate Reservoir for Automatic Lubrication of Rotary Hook, Upper Left Head Mechanism Manually Lubricated, 1 9/64 Inch Needle Bar Travel.

61900 N For simultaneously seaming and pinking wash and wear fabrics and other light weight materials. Width of pink 5/16 inch and 3 rows of feed. Seam specification 301-SSa-1. Stitch range 9 to 18 per inch.

61900 P For simultaneously seaming and pinking wash and wear fabrics and other light weight materials. Width of pink 3/8 inch and 2 rows of feed. Seam specification 301-SSa-1. Stitch range 9 to 18 per inch.

NEEDLES

Each Union Special needle has both a type number and a size number. The type number denotes the kind of shank, point, length, groove, finish and other details. The size number, stamped on the needle shank, denotes the largest diameter of the blade measured in thousandths of an inch across the eye. Collectively, the type number and size number is the complete symbol.

To have orders promptly and accurately filled, forward the empty package, a sample needle, or the type and size number should be given. See description on packages. A complete order would read: "1000 Needles, Type 180 GXS, Size 036".

Standard needle for machine Style 61900 N or 61900 P is Type 180 GXS. It has a round shank, round point, lockstitch, short length, ball eye, single groove, wide angle groove, struck groove, deep spot, ball point, and is chromium plated. Available in sizes 028, 032, 036, 040, 044, 048, 054, 060.

Selection of proper needle size should be determined by size of thread used. Thread should pass freely through needle eye in order to produce a good stitch formation.

For best results, use only genuine Union Special needles in the operation of these machines. They are packaged under our brand name, *Union Special* which is backed by a reputation for producing highest quality needles for more than three-quarters of a century.

IDENTIFYING PARTS

Where the construction permits, each part is stamped with its part number. On some smaller parts, and on those where construction does not permit, an identification letter is stamped in to distinguish the part from similar ones.

Each part number represents the same part regardless of catalog in which it appears.

IMPORTANT! ON ALL ORDERS, PLEASE INCLUDE PART NAME AND THE STYLE OF MACHINE FOR WHICH PART IS ORDERED.

TERMS

Prices are strictly net cash and subject to change without notice. All shipments are forwarded at the buyer's risk f. o. b. shipping point. Parcel Post shipments are insured unless otherwise directed. A charge is made to cover the postage and insurance.

LUBRICATION

Before starting to operate, be sure to remove the vent hole plug from the right side of the hook shaft gear case. This plug is used during shipment only, to prevent oil leakage through the vent hole. Then, lubricate machine thoroughly in accordance with instructions and run slowly for several minutes to distribute the oil to the various parts. Full speed operation can then be expected without damage.

RECOMMENDED OILS

Use a straight mineral oil of a Saybolt viscosity of 200 to 250 seconds at 100° Fahrenheit in hook oil reservoir, feed driving shaft gear case, and hook shaft gear case. This is equivalent to Union Special oil specification No. 83.

Stainless water white straight mineral oil of the same viscosity as that described in the preceding paragraph, can be used in the hook oil reservoir. The stainless oil is Union Special specification No. 86.

Oils conforming to specification No. 83 or No. 86 may also be used in the manually oiled places.

Fill main reservoir through the oil cup (C) in the top of the machine. This oil level should be checked from time to time and kept between the lines on the gauge (D) in front of the machine.

With the needle bar at the top of its stroke, oil holes (A and B, Fig. 1) in the top of the machine twice daily.

The hook oil reservoir is drained when machine leaves factory and must be filled before starting to operate. It is filled at plug screw (E). Its level should be checked twice daily and kept between the lines of the gauge (F).

The hook shaft gear case is filled before shipment with a sufficient volume of oil to bring the level up to the plug screw hole (G, Fig. 2) in gear case cover when machine is tilted back against rest pin. Remove plug screw and check level of oil about every six months.

CAUTION! Do not use a compound oil in the hook oil reservoir, feeding drive shaft gear case, or hook shaft gear case, as these oils separate and froth.

Lubrication of the mechanism below the bed plate is automatically accomplished through the feed driving shaft which is tubular. Oil is introduced into the shaft at the gear end by means of an oil distributing plate (A, Fig. 3) which is secured to the large gear case cover (B) by means of two screws (C) and retaining block (D).

Should it ever become necessary to remove any of the parts from the gear case, it is imperative that the adjustment of the oil distributing plate be checked very carefully. This can be done by removing the large plug screw at right end of the gear housing and looking through the hole. The low point of the oil distributing plate must be even with or slightly below the center of the shaft (E) and just touching it. This is a very important adjustment, as the functioning of the automatic lubrication of the lower part of the machine depends upon it.

NOTE: All moving parts of the pinking attachment to be oiled once daily. Oil knife lever shaft front and rear, also oil two oil holes for lubricating both sides of lever bearings and knife holder shaft. Major oiling points are marked in red on attachment.

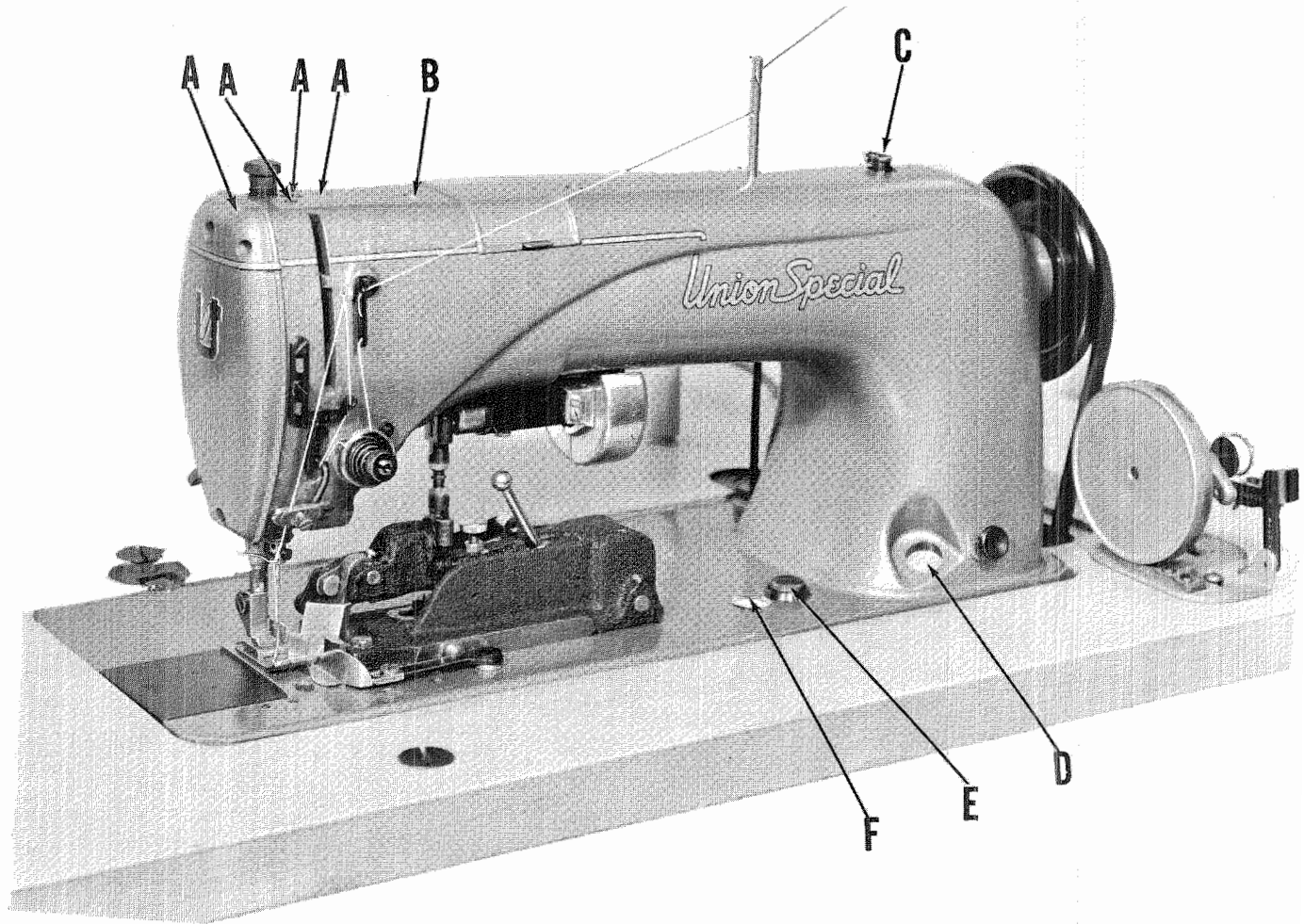


Fig. 1

NOTE: Manually oil pinker at oil holes which are painted red.

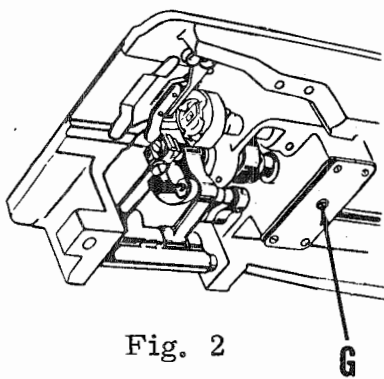


Fig. 2

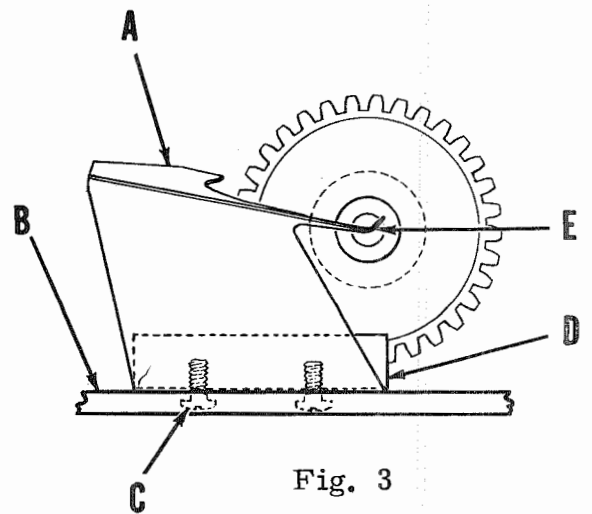


Fig. 3

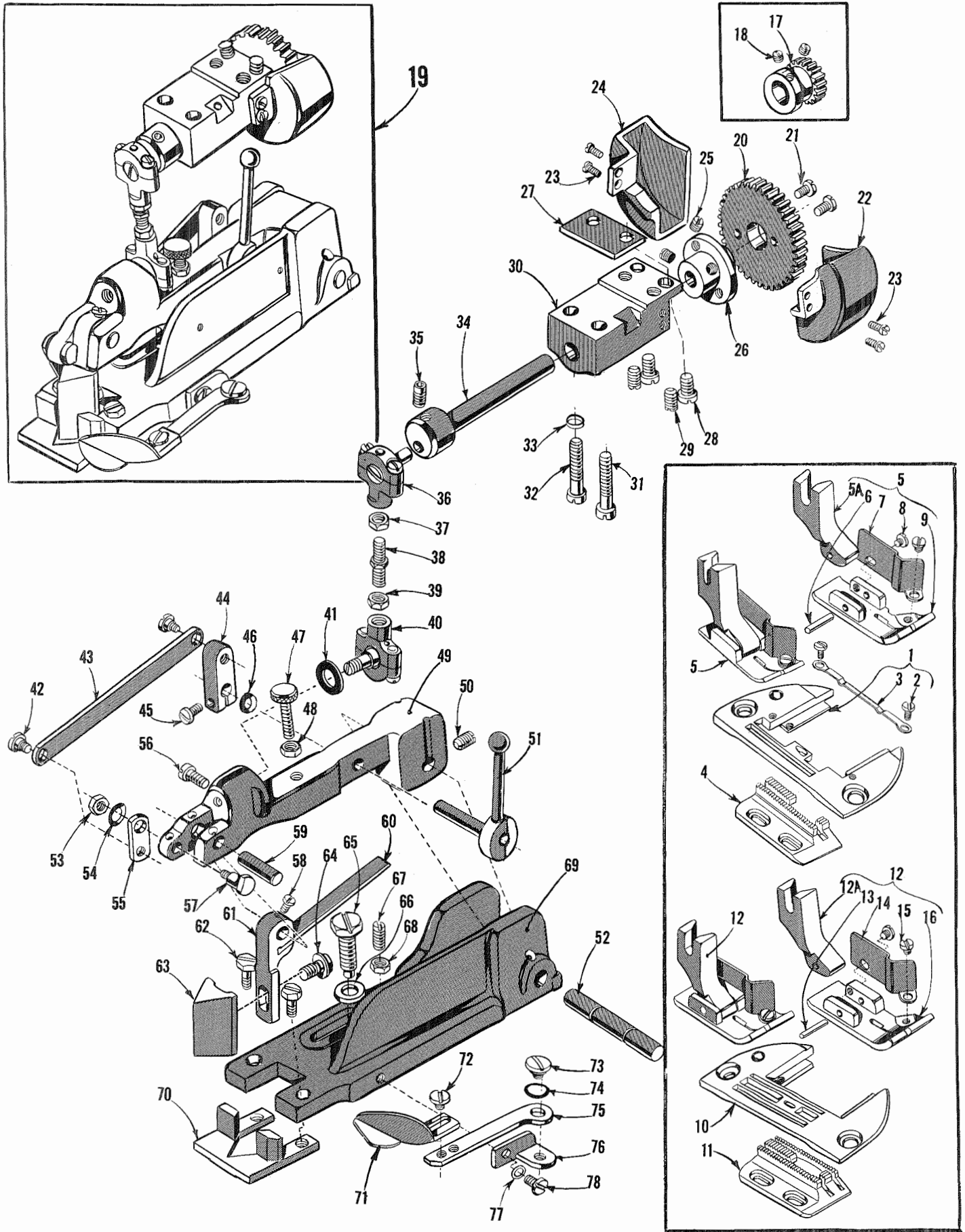
The following is a numerical list of the parts used in this machine. Quantities, part numbers, and descriptions are given. Following the parts list are photographs of some of the major parts.

Amt.	Part No.	Description	Amt.	Part No.	Description	Amt.	Part No.	Description
1	3-46	Base for 29482 (18-547)	1	59-6	Wrench, for 5/16" or 7/16" hexagonal head screw	2	666-173	Oil Wick for 29126 CZ, 61255 H, 61322 B
1	8-66	Guard for 61927 P, 61927 N (22798)	1	59-11	Wrench, 3/32" hex, for Allen set screw	1	666-174	Felt Wick for 61994 B
1	8-86	Chip Guard for 61928 P	2	HA61 D	Screw for 61264	1	666-196	Felt Wick for 61993 D
1	14-171	Shaft for base (1003 L)	2	HA61 D	Screw for 61264 A	1	666-201	Felt Plug for siphon
1	14-172	Shaft for lever (18-178)	1	69 H	Washer for 22635 B-20	1	666-209	Felt Disc for siphon
1	14-178	Driven Gear Shaft (18-1043)	2	69 FD	Screw for 21661 D, 21664	1	666-213	Felt for head
1	18	Nut for 61984 C	2	69 FD	Screw for 21665	1	719	Screw for 61437 C
1	18-71	Screw for 45-248	1	71-52	Connecting Rod (869 L, 1012 L)	2	810 L	Screw for 27-68
1	18-178	Screw for 14-172	2	73 A	Screw for 21661 D, 21664	1	810 L	Screw for 99-329 (21210 A)
1	18-321	Screw for 50-277	2	74 E	Spot Screw for 21665	1	869 L	Nut for 71-52
1	18-353	Screw for 99-329 (40-86)	1	76-18	Connecting Rod (869 L, 1012 L)	1	1003 L	Screw for 14-171
4	18-355	Screw for 32-81, 32-82	1	88	Plug Screw for 61982	2	1003 L	Screw for 50-277
1	18-422	Screw for 475-68	2	88	Knife Throw-out Handle	1	1012 L	Nut for 18-547
1	18-497	Screw for 50-277 (40-148)	1	88 B	Screw for 161	1	1012 L	Nut for 71-52
1	18-501	Attaching Screw for 29482 (40-46)	1	88 D	Screw for 61242	2	1025 L	Screw for 27-164
1	18-544	Screw for 119-25	2	89	Set Screw for 61438 A	1	1025 L	Screw for 107-16
1	18-547	Screw for 3-46 (1012 L)	1	89	Screw for 51773	1	1160 L	Nut for 18-844
2	18-558	Screw for lower knife	1	90	Screw for 61439 A	2	1776 L	Screw for 46-108
1	18-844	Screw for 45-247 (1160 L)	2	91 A	Spot Screw for 61244	1	4124-32	Ball Joint, upper
1	18-1043	Screw for 14-178	1	93	Spot Screw for 61434	1	4124-33	Ball Joint, lower (CS331)
1	PI-18	Pin for 666-201	1	93 A	Spot Screw for 61492	1	6042 A	Thrust Washer for 61377 J
1	20	Washer for 61984 C	2	95	Screw for 61336 Y	2	8372 A	Washer for 61391 C
2	21-309	Flat Spring for 99-134	1	95	Screw for 61273	1	9937	Nut for 22874 F
1	27-68	Driven Gear for 29482 (810 L)	2	96 A	Screw for 61414 A	1	15037 A	Nut for 22845 D
1	27-164	Pinking Driving Gear (1025 L)	1	99-134	Screw for 61246 A	1	15872 F	Spring for 61466 A
4	30-56 Blk.	Wood Plug for 61432	1	99-143	Screw for 61949	1	21210 A	Washer for 810 L
1	32-81	Cover, front, for 27-68 (18-355)	2	99-329	Screw for 61984	2	21212	Oil Siphon Connection
1	32-82	Cover, rear, for 27-68 (18-355)	1	107-16	Screw for 61984 A	1	21388	Locking Ring for 51294 N
1	34-26	Cam Throw-out for upper knife (40-101, CS231)	2	109	Spot Screw for 61949	1	21393 F	Wrench
1	40-46	Washer for 18-501	1	119-24	Screw for 61341 C	1	21393 T	Oil Drain Clamp
1	40-57	Washer for 4124-33	1	119-25	Holder for upper knife	1	21660 C	Spring
1	40-86	Washer for 18-353	1	138	Edge Guide Holder	1	21661 D	Drip Pan
1	40-101	Washer for 34-26	1	161	Holder for 99-143 (18-353, 40-86)	1	21661 P	Knee Lifter Assembly
1	40-148	Washer for 18-497	1	164-37	Flange Driven Gear (1025 L)	1	21661 C	Knee Lifter Rocker
1	45-247	Pinker Arm (18-844)	1	226	Tension Disc for 29475 AC	2	21662 C	Shaft Stop (69 FD)
1	45-248	Lever for throw-out (18-71)	2	CS231	Tension Disc for 61477	1	21663 C	Knee Lifter Rocker
1	45-249	Lever for knife throw-out cam	1	CS331	Lower Knife (18-558)	1	21664	Shaft
1	46-108	Link for knife throw-out (1776 L)	1	376	Upper Knife (18-544)	2	21665	Knee Lifter Hanger
1	50-277	Bracket for arm (CS331, 18-321, 18-497, 1003 L)	1	475-68	Screw for 62282 B	1	21665 C	Knee Lifter Plate Rod
1	50-552 Blk.	Plug for feed driving shaft	1	531	Collar for 61445 (88)	1	22504 D	Knee Lifter Plate (69 FD)
1	50-558 Blk.	Plug for bed	1	643-194	Shim for 50-277	1	22528	Knee Lifter Rocker
1	50-567 Blk.	Oil Sight Gauge for 61394 AJ	1	652 B-20	Screw for 61430 BB	2	22537	Shaft Connection
1	50-568 Blk.	Oil Sight Gauge	1	660-142	Nut for 34-26	2	22539 D	Shaft Connection
1	50-692 Blk.	Air Vent for feed drive shaft	1	660-168	Screw for 50-277	1	22562 B	Shaft Connection Arm
1	57 WB	Nipper Spring Plate	1	660-205	Screw for 4124-33	1	22564 B	Screw for 61985 D (15037 A)
1	57 WC	Nipper Spring	1	660-225	Screw for throat plate	2	22564 B	Screw for 61439
1	57 WD	Nipper Spring Screw	1	660-226	Edge Guide (18-422)	1	22564 E	Screw for 61421 A
					Screw for 61248 H	1	22566 B	Plug Screw for base
					Oil Tube for 61982	3	22566 B	Screw for 61255
					Lock Washer for 61368 A	1	22564 B	Screw for 61437 C
					Spring Collar Pin for 61368 A	1	22564 E	Screw for 62271 F
					Knee Pad for 21664	2	22564 F	Screw for 61414 C, 61415
					Retaining Ring for 61251 D	1	22566 F	Screw for 61413 G
					Needle Bearing for 61438 A	2	22569 B	Screw for 61982
					Needle Bearing for 61984 B	3	22569 C	Screw for 61394 Z
					Washer for 22730	3	22569 H	Set Screw for 61208 B
					Oil Wick for head cover	1	22570 A	Screw for 61271
					Oil Wick for main shaft bushing housing	4	22570 A	Screw for 61282 A
					Oil Wick for 61293	6	22570 A	Screw for 61382 J
					Oil Wick for 61393 C	2	22570 A	Screw for 61394 Q
					Oil Wick for 61985	1	22570 B	Set Screw for 61391 C
					Oil Drain Jar (21393 F)	3	22574	Screw for 61321 J
						2	22585 A	Screw for 61351 J
						2	22596 D	Adjusting Screw for 61391 C
						1	22597 A	Screw for 61445
						1	22597 A	Screw for 62262
						1	22597 A	Screw for 61251 D
						1	22597 E	Set Screw for 61492 A
						1	22635 B-20	Screw for 61377 W

Amt.	Part No.	Description	Amt.	Part No.	Description	Amt.	Part No.	Description
1	22712 F	Screw for 61368 F	1	61210 B	Hook Thread	1	61341 G	Hook Shaft Oil Seal
4	22716 A	Screw for 61210 B			Deflector (22716 A)			Washer
1	22716 B	Screw for 61414 C	1	61212	Bobbin for 29474 G	2	61341 J	Thrust Washer for
3	22716 H	Screw for 61411 A	1	61216	Bobbin Case Latch			61244
1	22729 A	Screw for 61377 N	1	61216 N	Hinge Pin	1	61348 A	Stitch Regulating Shaft
1	22730	Plug Screw for hook shaft gear case (660-257)	1	61233 N	Bobbin Case Latch Spring	1	61351 C	Thrust Washer for 61351 Q
1	22738	Plug Screw for head	2	61235	Feed Lift Link	1	61351 J	Frame Take-up Thread Eyelet (22585 A)
1	22738	Screw for oil siphon	1	61236	Feed Bar Shaft			
1	22742	Screw for 61414 A	1	61236 G	Feed Rocker	38	61351 K	Needle Bearing
1	22743	Plug Screw for 61432	1	61242	Feed Rocker Shaft (22894 E)			Rollers
1	22757 C	Screw for 61255 H	1	61244	Hook Shaft Collar (88)	1	61351 Q	Take-up Lever Assembly
1	22758 B	Screw for 61267	1	61244	Hook Shaft Pinion Gear (89)	1	61356	Presser Spring
1	22760 A	Screw for 61477 B	1	61245 G	Stitch Regulating Plunger Locking Insert	1	61360	Main Shaft Driving Gear (22884)
1	22764 B	Time Spot Screw for 61437 A				1	61360 G	Feed Driving Shaft Collar (22884)
2	22768	Screw for feed dog	1	61246 A	Stitch Regulating Plunger Lever (93 A)	1	61368 A	Lifter Lever Extension Stud and Lifter Lever Connecting Rod, complete (652 B-20, 660-142)
1	22768 A	Needle Set Screw						
1	22768 B	Screw for 61959	2	61248 H	Stitch Regulating Shaft Collar (531)			
1	22775	Screw for presser foot	1	61251 D	Take-up Lever Pin (660-205, 22597 A)	1	61368 F	Lifter Lever Bell Crank Roller (22712 F)
1	22775 A	Screw for feed dog height adjustment	1	61252	Take-up Lever Link			
2	22798	Screw for 8-66	1	61252 J	Take-up Lever Crank Pin			
1	22799 M	Hand Lifter Screw Pin for 61265	1	61255	Needle Bar Connection (22562 B)	1	61374	Machine Hinge Plate, right (22846 Q-16)
1	22802 A	Screw for 61449 F	1	61255 H	Needle Bar Link (22757 C)	1	61374 A	Machine Hinge Plate, left (22846 Q-16)
1	22817 A	Stud for 61468	1	61256 G	Presser Spring Washer	2	61375	Machine Hinge Stud
1	22839	Screw for 61985 F				4	61376 G	Felt Pads for table tops
1	22845 D	Feed Link Stud	1	61260 A	Feed Driving Shaft Gear (22884)	1	61377 A	Base for 61477
1	22845 G	Screw for 61449 E	1	61261 A	Feed Driving Shaft Intermediate Gear Bushing for 61261 A	1	61377 J	Bobbin Winder Pulley Shaft (22878)
2	22846 M-12	Screw for 61477	1	61263	Intermediate Gear Shaft Collar, right (HA61 D)	1	61377 N	Bobbin Winder Trip Latch (22729 A)
2	22846 Q-16	Screw for 61374, 61374 A	1	61264	Intermediate Gear Shaft Collar, left (HA61 D)	1	61377 W	Bobbin Winder Pulley Brake, leather (22635 B-20)
1	22863 B	Adjusting Screw for 29475 AC	1	61264 A	Intermediate Gear Shaft Collar, left (HA61 D)	1	61377 Y	Bobbin Winder Pulley
1	22874 F	Screw for 61468 (9937)	1	61265	Hand Lifter (22799 M)	1	61378	Machine Rest Pin
1	22875	Screw for 61477 C	1	61265	Hand Lifter (22799 M)	1	61382 J	Feed Driving Gear Housing Cover (22570 A)
1	22878	Screw for 61377 Y	1	61267	Lifter Lever Link (22758 B)	1	61391 C	Main Shaft Counterweight (22570 B, 22880, 22894 V)
1	22880	Screw for 61449 E	1	61267 G	Lifter Lever Spring Pin			
1	22880	Spot Screw for 61391 C	1	61271	Frame Needle Thread Eyelet (22570 A)	1	61392 F-9	Tension Spring for 29475 AC
2	22884	Screw for 61260 A	1	61272	Needle Thread Guide Pin			
2	22884	Screw for 61360	1	61273	Bed Slide Spring for 29475 AJ (91 A)	1	61392 F-14	Tension Spring for 61477
2	22884	Screw for 61360 G	1	61282 A	Hook Shaft Gear Housing Cover (22570 A)	1	61393 C	Oil Tube for take-up lever (666-127)
1	22890	Screw, left thread, for 61466 A	1	61282 D	Gasket for 61382 J	1	61394 L	Oil Reservoir Securing Screw (61494 U)
1	22892	Screw for 61458	1	61282 E	Gasket for 61282 A	1	61394 M	Gasket for 61394 AC
2	22894 E	Screw for 61236 G	1	61292 C	Nut for 29475 AC	1	61394 P	Oil Distributing Plate
1	22894 E	Screw for 61985 A	1	61292 C	Nut for 61477	1	61394 Q	Oil Distributing Plate Retaining Block (22570 A, 61394 R)
2	22894 J	Screw for 61443	1	61292 G	Tension Release Pin	1	61394 R	Gasket for 61394 Q
2	22894 V	Set Screw for 61391 C	1	61292 H	Tension Release Washer for 29475 AC	1	61394 Z	Gasket for 61994 A
1	22894 W	Set Screw for 61959	1	61293	Oil Tube (666-126)	1	61394 Z	Hook Oil Reservoir End Cover (22569 C)
1	29126 BS	Feed Drive Eccentric Assembly	1	61293 N	Plug for bed	1	61394 AA	Gasket for 61394 Z
1	29126 CZ	Needle Feed Drive Eccentric Assembly	1	61321 J	Handwheel for 61421 (22574)	1	61394 AC	Hook Oil Reservoir Filler Hole Plug Screw (61394 M)
1	29474 G	Rotating Hook Assembly (22569 H)	1	61321 L	Hub Washer for 61421	1	61394 AE	Main Reservoir Oil Filler Cup
1	29475 AC	Tension Post Assembly	2	61322 B	Main Shaft	2	61394 AF	Hook Oil Reservoir Gasket, left
1	29475 AJ	Bed Slide Assembly	1	61330 B-31	Hinge Pin for 61927 P	1	61394 AJ	Hook Oil Reservoir
1	29475 AP	Take-up Thread Wire Assembly	1	61330 B-35	Hinge Pin for 61927 N	1	61396 F	Hook Shaft Oil Metering Insert
1	29482	Pinking Attachment, complete (18-501)	1	61336 U	Feed Rocker Shaft Bushing	1	61407 B	Hook, Thread Retainer and Thread Deflector Assembly
1	39536 AD	Spring Washer for 76-18	1	61336 Y	Feed Rocker Oil Wick (90)			
1	51242 M	Washer for 22802 A	2	61340 C	Hook Shaft			
1	51294 N	Oil Siphon Connection (21212)	1	61341 C	Hook Shaft Bushing, left (96 A)			
1	51773	Collar for 61985 B (88 B)	1	61341 D	Hook Shaft Bushing, right			
1	60038 G	Bearing Sleeve for 61984 C						
1	61208 B	Rotating Hook for 29474 G (22569 H)						

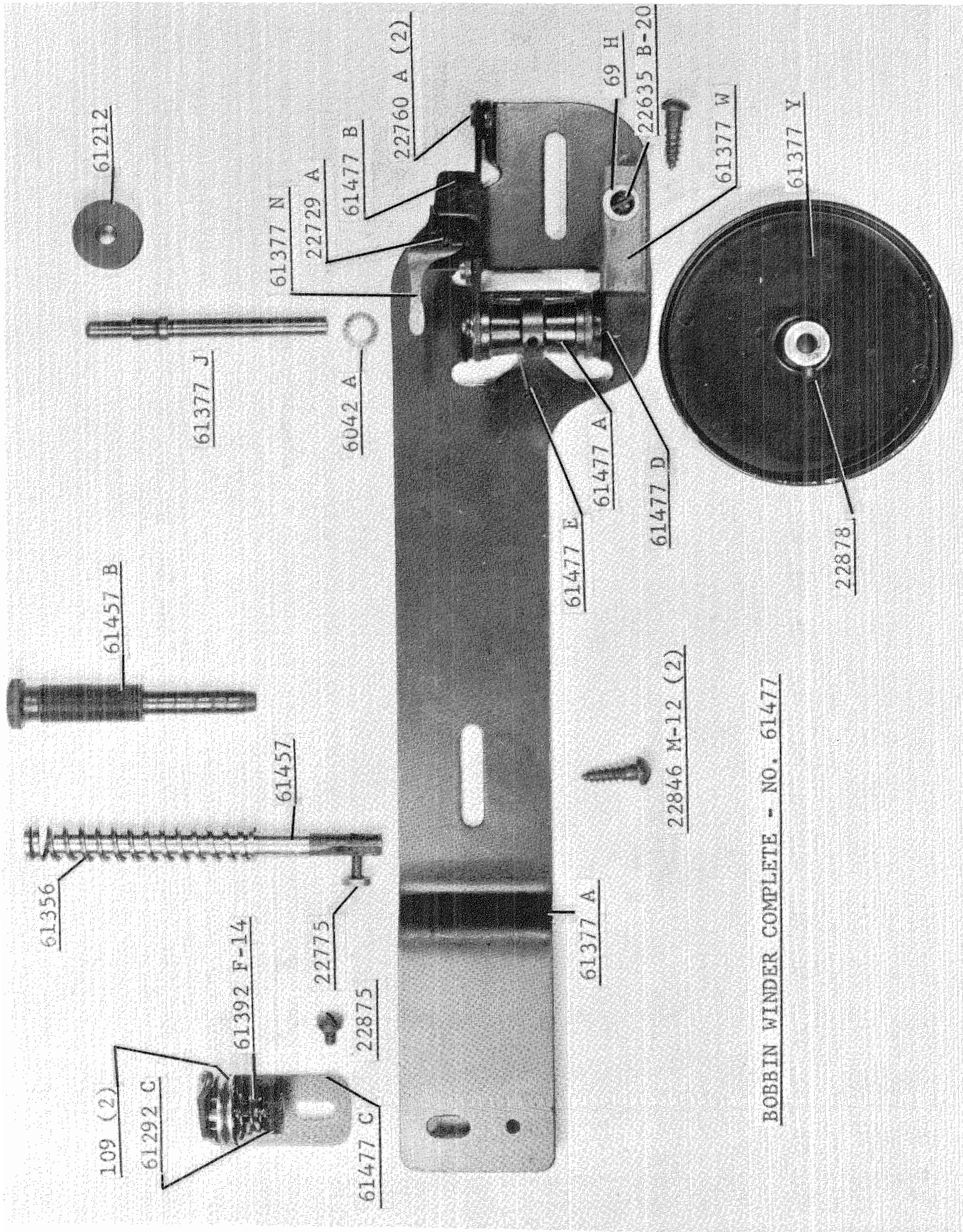
Amt.	Part No.	Description	Amt.	Part No.	Description	Amt.	Part No.	Description
1	61411 A	Hook Thread Retainer for 29474 G (22716 H)	1	61449	Stitch Regulating Eccentric for 29126 BS (61449 A)	1	61928 P	Throat Plate for 61900 P (376)
1	61413 E	Bobbin Case Assembly for 29474 G	1	61449 A	Cork Friction Disc for 61449	1	61930 F	Bottom for 61927 N
1	61413 F	Bobbin Case for 61413 E	1	61449 B	Stitch Regulating Thrust Spring for 29126 BS	1	61930 G	Shank for 61927 N, 61927 P
1	61413 G	Bobbin Case Eyelet (22564 F)	1	61449 E	Stitch Regulating Pawl Collar (22845 G, 22880)	1	61930 H	Bottom for 61927 P
1	61414	Bobbin Case Holder for 29474 G	1	61449 F	Stitch Regulating Pawl (22802 A, 51242 M)	1	61949	Stitch Length Indicator (95, 96)
1	61414 A	Bobbin Case Holder Positioning Finger (93, 22742)	1	61449 H	Stitch Length Indicator Window	1	61953 A	Thread Take-up Wire for 29475 AP
1	61414 C	Tension Spring for 61413 E (22716 B, 22564 E)	1	61451 C	Thrust Washer for take-up lever	1	61959	Presser Bar Guide for 29475 AP (22768 B, 22894 W)
1	61415	Bobbin Case Latch (22564 E)	1	61453	Tension Take-up Spring for 29475 AC	1	61982	Head Cover (74 E, 643-194, 22569 B)
1	61415 A	Bobbin Case Latch Lever (61216)	1	61457	Presser Bar	1	61982 B	Top Cover
1	61421	Handwheel, complete for #1 "V" or round belt (22537)	1	61457 B	Presser Spring Regulator	2	61982 C	Top Cover Hinge
1	61421 A	Pulley Hub (22537)	1	61457 C	Bushing, Presser Bar, lower	4	61982 D	Top Cover Hinge Pin
1	61430 BB	Spring for 61927 N or 61927 P (226)	1	61458	Presser Bar Connection (22892)	1	61984	Needle Feed Drive Eccen., .136" throw, for 29126 CZ (95)
1	61432	Feed Driving Shaft (22743)	1	61466 A	Lifter Lever (15872 F, 22890)	1	61984 A	Needle Bearing Retaining Collar (95)
1	61432 B	Feed Driving Shaft Bushing, right	1	61468	Lifter Lever Bell Crank (22817 A, 22874 F)	1	61984 B	Needle Feed Drive Eccentric Bearing for 29126 CZ
1	61432 C	Feed Driving Shaft Bushing, left	1	61470	Needle Thread Guide	1	61984 C	Needle Feed Drive Eccentric Connecting Stud (18, 20)
1	61432 D	Feed Driving Shaft Oil Retaining Bushing, right	1	61477	Bobbin Winder Assembly, complete (22846 M-12)	1	61985	Needle Bar Frame (666-139)
1	61432 E	Feed Driving Shaft Oiling Retaining Bushing, left	1	61477 A	Bobbin Winder Frame Assembly	1	61985 A	Needle Bar Frame Pivot Stud (22894 E)
1	61434	Feed Bar (89, 22775 A, 22845 D)	1	61477 B	Trip Latch Assembly for 61477 (22760 A)	1	61985 B	Needle Bar Frame Rock Shaft
1	61434 G	Washer for feed bar link stud	1	61477 C	Tension Bracket for 61477 (22875)	1	61985 D	Needle Bar Frame Rock Shaft Connecting Link (22504 D)
1	61437 A	Feed Driving Eccentric Timing Collar for 29126 BS (22764 B)	1	61477 D	Hinge Pin for 61477	1	61985 F	Needle Bar Frame Rock Shaft Driving Lever (22839)
1	61437 B	Feed Driving Eccentric Pivot Pin for 29126 BS	1	61477 E	Spring for 61477	1	61985 G	Bushing for needle bar frame rocker shaft, left
1	61437 C	Feed Driving Eccentric Retaining Housing for 29126 BS (719, 22564 B)	1	61490	Main Shaft Bushing and Housing, right	1	61985 H	Bushing for needle bar frame rocker shaft, right
1	61438 A	Feed Driving Eccentric Connection Rod for 29126 BS (88, 22564 B)	1	61490 A	Main Shaft Bushing for 61490	1	61985 J	Needle Bar Frame Pivot Adjusting Bushing
1	61439	Feed Dog Holder (22528)	1	61492	Tension Post for 29475 AC (89)	1	61993 B	Oil Tube for main shaft bushing, left
1	61439 A	Feed Dog Holder Support (88 D)	1	61492 A	Tension Post Socket for 29475 AC (22597 E, 22863 B)	1	61993 D	Oil Tube for needle bar and take-up lever (666-196)
1	61443	Hook Shaft Driving Gear (22894 J)	1	61494 N	Priming Tube Grommet	1	61994	Oil Siphon
1	61445	Stitch Regulating Plunger (22597 A)	1	61494 U	Washer for 61394 L	1	61994 A	Oil Siphon Bracket
1	61447	Stitch Regulating Plunger Lever Spring	1	61902	Bed Slide for 29475 AJ	1	61994 B	Oil Siphon Tube (666-174)
			1	61917	Needle Bar (22768 A)	1	62262	Intermediate Gear Shaft (22597 A)
			1	61926 N	Feed Dog for 61900 N (22768)	1	62271 F	Needle Thread Nipper Base
			1	61926 P	Feed Dog for 61900 P (22768)	1	62282 B	Spring for 61982 B (138)
			1	61927 N	Presser Foot for 61900 N (22775)	1	63494 B	Plastic Plug for bed
			1	61927 P	Presser Foot for 61900 P (22775)			
			1	61928 N	Throat Plate for 61900 N (376)			

NOTE: Numbers in parenthesis following parts description indicate the screws, nuts, etc., used to attach or hold these parts. For a more detailed description on the presser feet, throat plates, feed dogs and pinking attachments, refer to the copy opposite the picture plate showing these items.



The parts illustrated on the preceding page and described on this page represent the throat plate, feed dog, presser foot and pinking attachment used on Styles 61900 N or 61900 P

Ref. No.	Part No.	Description	Amt. Req.
1	61928 P	Throat Plate, for Style 61900 P	1
2	73 A	Screw	2
3	8-86	Chip Guard	1
4	61926 P	Feed Dog, 22 teeth per inch, for Style 61900 P	1
5	61927 P	Presser Foot, for Style 61900 P	1
5A	61930 G	Shank	1
6	61330 B-31	Hinge Pin	1
7	8-66	Presser Foot Guard	1
8	22798	Screw	2
9	61930 H	Bottom	1
10	61928 N	Throat Plate, for Style 61900 N	1
11	61926 N	Feed Dog, 22 teeth per inch, for Style 61900 N	1
12	61927 N	Presser Foot, for Style 61900 N	1
12A	61930 G	Shank	1
13	61330 B-35	Hinge Pin	1
14	8-66	Presser Foot Guard	1
15	22798	Screw	2
16	61930 F	Bottom	1
17	27-164	Pinker Driving Gear	1
18	1025 L	Screw	2
19	29482	Pinking Attachment, complete	1
20	27-68	Driven Gear	1
21	810 L	Screw	2
22	32-81	Cover, front	1
23	18-355	Screw	4
24	32-82	Cover, rear	1
25	1025 L	Screw	2
26	107-16	Flange Driven Gear	1
27	164-37	Shim for 50-277	1
28	CS331	Screw	2
29	1003 L	Screw	2
30	50-277	Bracket, for arm	1
31	18-321	Screw	1
32	18-497	Screw	1
33	40-148	Washer	1
34	14-178	Driven Gear Shaft	1
35	18-1043	Screw	1
36	4124-32	Ball Joint, upper	1
37	1012 L	Nut, right hand thread	1
38	71-52	Connecting Rod	1
39	869 L	Nut, left hand thread	1
40	4124-33	Ball Joint, lower	1
41	40-57	Washer	1
42	1776 L	Screw	2
43	46-108	Link, for knife throw-out	1
44	45-248	Lever, for throw-out	1
45	18-71	Screw	1
46	39536 AD	Spring Washer	1
47	18-844	Screw	1
48	1160 L	Nut	1
49	45-247	Pinker Arm	1
50	1003 L	Screw, for 14-171	1
51	76-18	Handle, complete, for knife throw-out	1
52	14-171	Shaft, for base	1
53	CS231	Nut, for 34-26	1
54	40-101	Washer	1
55	45-249	Lever, for knife throw-out cam	1
56	CS331	Screw, for 4124-33	1
57	34-26	Cam Throw-out, for upper knife	1
58	18-178	Screw, for 14-172	1
59	14-172	Shaft, for lever	1
60	21-309	Flat Spring	2
61	99-134	Holder, for upper knife	1
62	18-558	Screw, for lower knife	2
63	119-25	Upper Knife	1
64	18-544	Screw, for upper knife	1
65	18-501	Attaching Screw, for 29482	1
66	40-46	Washer	1
67	18-547	Screw	1
68	1012 L	Nut	1
69	3-46	Base	1
70	119-24	Lower Knife	1
71	475-68	Edge Guide	1
72	18-422	Screw	1
73	18-353	Screw	1
74	40-86	Washer	1
75	99-143	Edge Guide Holder	1
76	99-329	Holder	1
77	21210 A	Washer	1
78	810 L	Screw	1



BOBBIN WINDER COMPLETE - NO. 61477

2

