



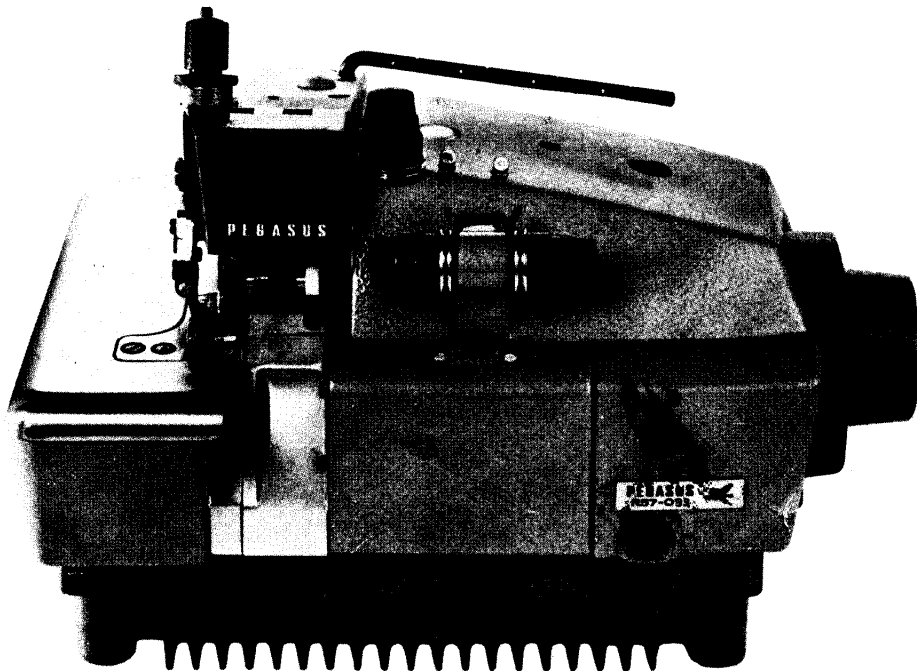
# PEGASUS®

## PARTS LIST

**R57-03S**

**R57-14S**

**R57-57S**



**PEGASUS SEWING MACHINE MFG. CO., LTD.**



## IN ORDERING PARTS

This list has been arranged to simplify ordering repair parts for R57-03S, R57-14S and R57-57S on the basis of R57-03S.

Various sections of the mechanisms are shown on each page. On the page opposite the illustration will be found a listing of the parts with their reference numbers, part numbers, names and number of pieces required.

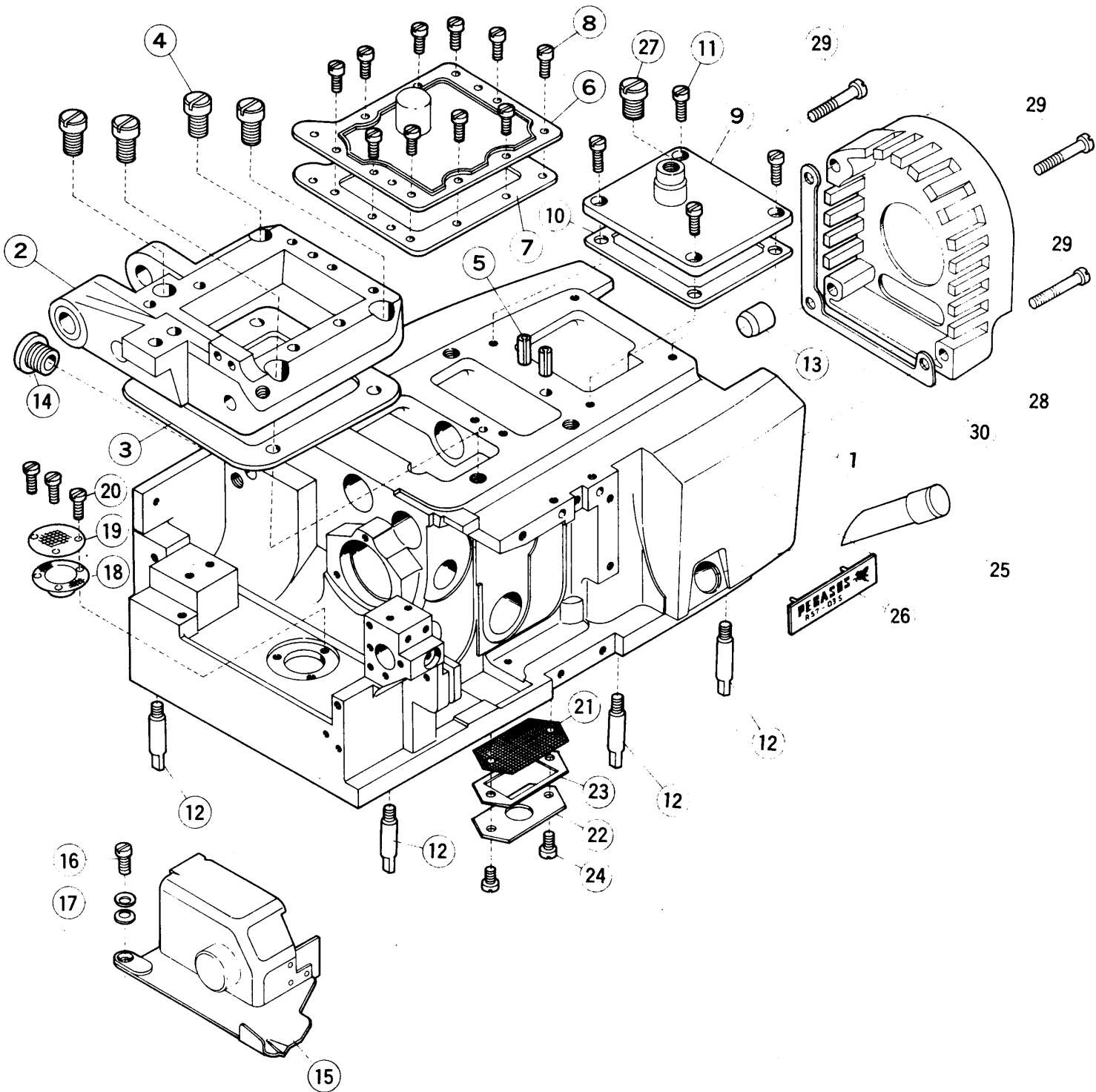
The parts specifically used in Models R57-14S and R57-57S are listed and illustrated on pages 26-27.

In ordering parts from this list, use ONLY THE PART NUMBER in the second column. Reference number should never be used in ordering parts.

This list covers the abovementioned model machines in September, 1975 production and is applicable to your machine subject to change without notice.

## TABLE OF CONTENTS

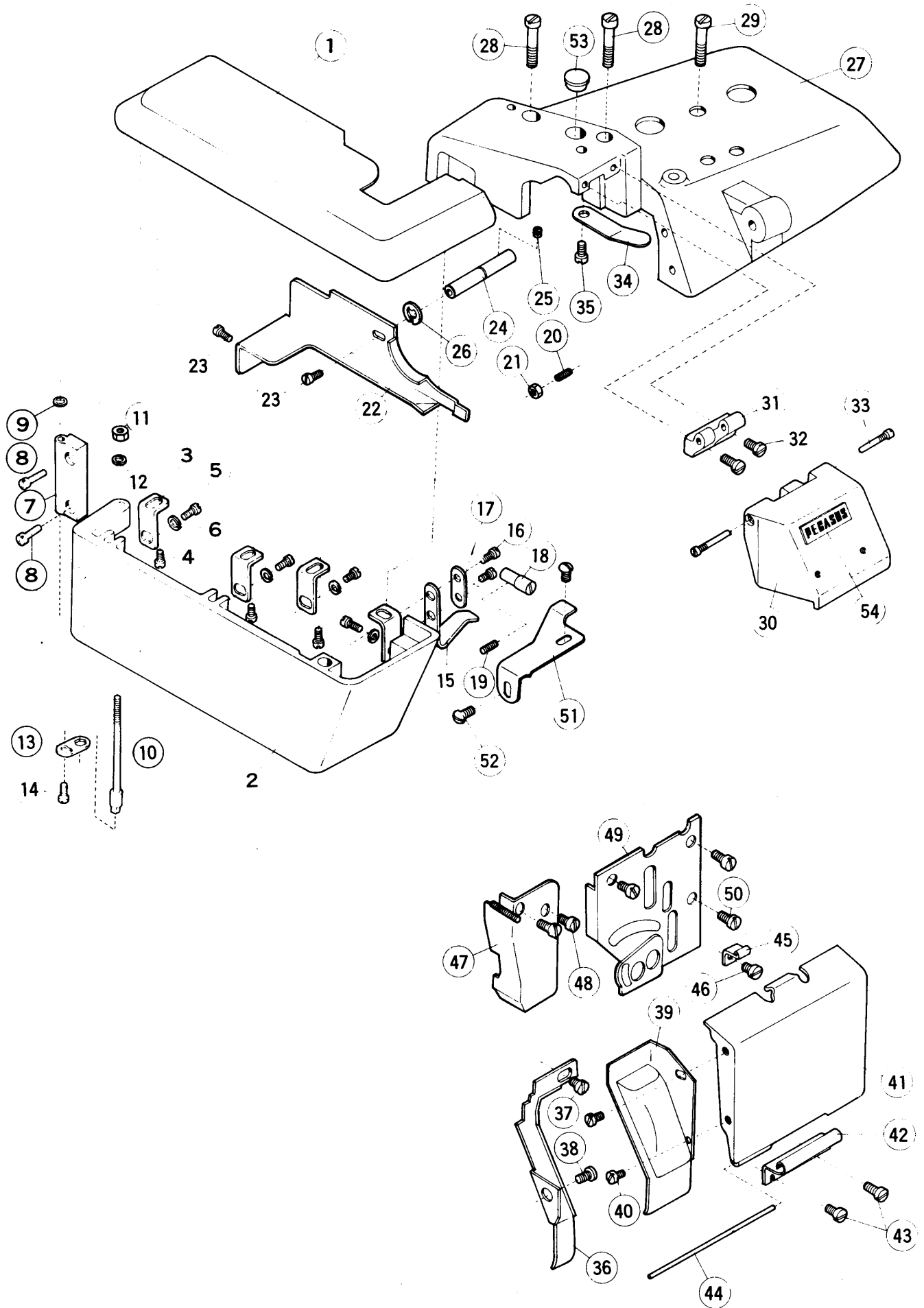
	<u>PAGE</u>
MACHINE BED FRAME.....	2-3
MAIN FRAME AND MISCELLANEOUS COVERS.....	4-5
CRANKSHAFT MECHANISM.....	6-7
NEEDLE DRIVE MECHANISM.....	8-9
RIGHT LOOPER DRIVE MECHANISM.....	10-11
LEFT LOOPER DRIVE MECHANISM.....	12-13
MAIN AND DIFFERENTIAL FEED DRIVE MECHANISM.....	14-15
UPPER AND LOWER KNIFE DRIVE MECHANISM.....	16-17
PRESSER FOOT AND LIFT MECHANISM.....	18-19
(1) PUMP LUBRICATING MECHANISM.....	20-21
(2) PUMP LUBRICATING MECHANISM.....	22-23
(3) PUMP LUBRICATING MECHANISM.....	24-25
SPECIFIC PART ASSORTMENTS.....	26-27
ATTACHMENT.....	26-27
PLAIN FEED DRIVE MECHANISM.....	28-29
CHAIN CUTTER MODEL KSR-570.....	30
CHAIN CUTTER MODEL KSR-572.....	31
THREAD STAND.....	32-33
ACCESSORIES.....	34-35
LIST OF ORGANIZATION PARTS.....	36



MACHINE BED FRAME

Ref.

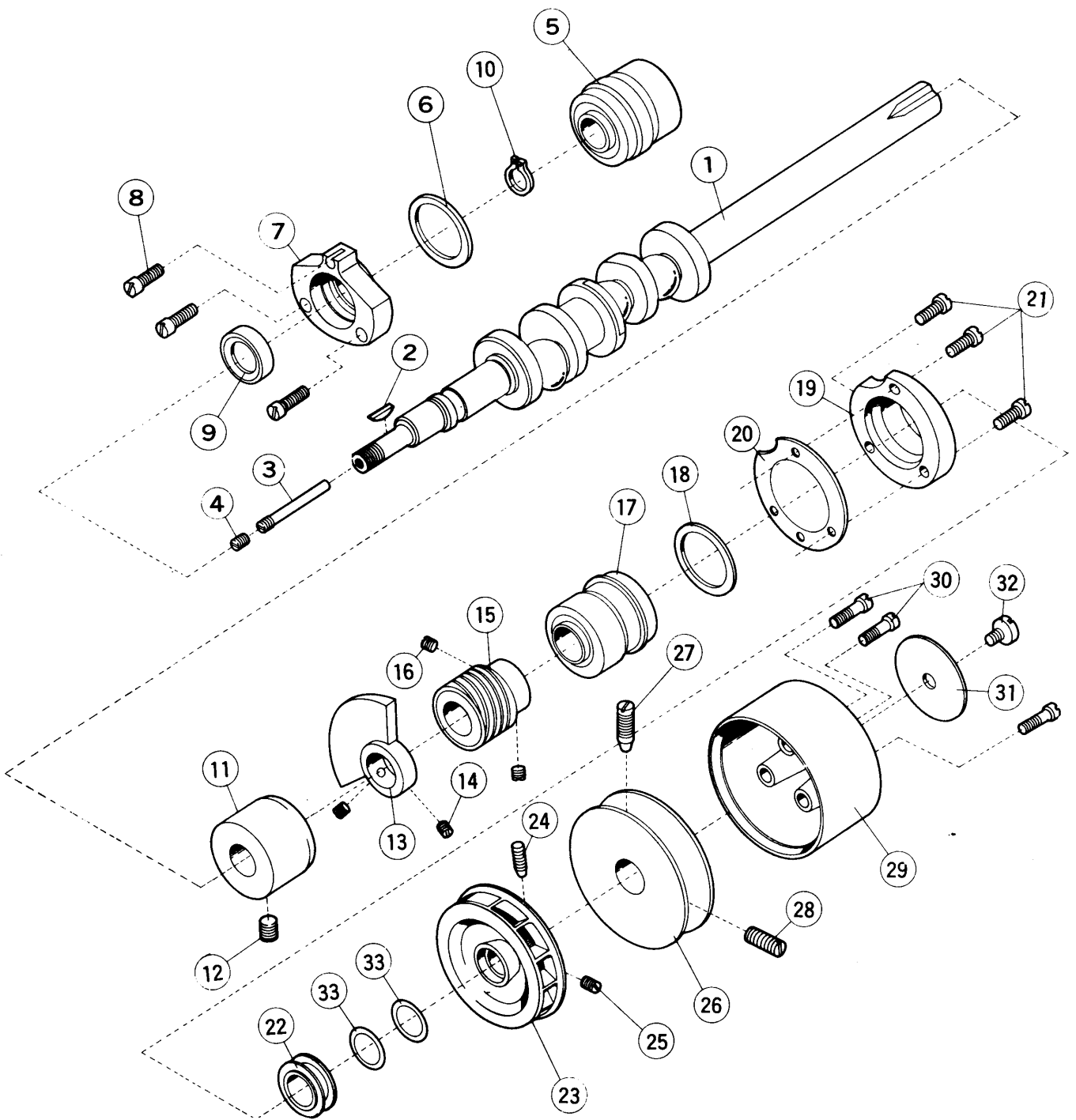
No.	Part No.	Description
1	205485	Machine bed frame
2	205274	" arm
3	202371	" " gasket
4	5078	" " screw (4)
5	201002	" " hinge pin (2)
6	201178B	" " cover plate
7	201179B	" " " " gasket
8	5117	" " " " screw (10)
9	202932	" bed cover plate
10	201177A	" " " " gasket
11	5118	" " " " screw (4)
12	202354	" " bottom pin (4)
13	202863B	Dead hole plug
14	202687	" " plug
15	205513	Feed mechanism cover, complete with 205514 & 205515
16	5215	" " cover screw
17	201191	" " " " washer (2)
18	201004	Oil filter screen (left)
19	205708	" " " " plate
20	1175-2	" " " " " screw (3)
21	202662	" " " (front)
22	202663D	" " " " plate
23	<del>202720B</del>	<del>" " " " " gasket</del>
24	1189	" " " " " screw (2)
25	201330	" sight gauge
26	205482	Type plate - R57-03S
27	5198	Oil filler plug
28	201318B	" cooler cover
29	5094	" " " screw (3)
30	202748	" " " gasket
	205728	型式板 504/II - (PFAFF用)



MAIN FRAME AND MISCELLANEOUS COVERS

Ref.

No.	Part No.	Description
	202466	Cloth plate, complete with parts of Ref.Nos.1-6
1	201181C	" plate
2	202467	" " frame
3	201184	" " joint (4)
4	1216	" " screw (4)
5	1202	" " joint screw (4)
6	201185	" " " " washer (4)
7	200159A	" " hinge
8	5095	" " " screw (2)
9	200183	" " " thrust washer
10	201221A	" " " pin
11	5099	" " " " nut
12	200821	" " " " washer
13	202865	" " " " retainer
14	5293	" " " " " screw
15	201186	" " lock spring
16	1216	" " " " screw (2)
17	200162	" " " " washer
18	200163A	" " " " stud
19	1435	" " " " screw
20	1435	" " stop screw
21	3044	" " " " nut
22	*****	" " fabric guard - see page 31
23	1216	" " " " screw (2)
24	202521	" " " " pin
25	1457	" " " " " screw
26	202522	" " " " " stop ring
27	202514A	Machine top cover
28	5094	" " " screw (long) (2)
29	5095	" " " " (short)
30	202515A	Upper knife cover
31	202516	" " " hinge
32	2918	" " " " screw (2)
33	202579	" " " " pin (2)
34	202517	" " " lock spring
35	5117	" " " " " screw
36	202843	Chip guard, complete with 201090
37	1216	" guard screw (upper)
38	2905	" " " (lower)
39	202660	Front cover extension
40	2921	" " " " screw (2)
41	201200	" cover
42	201201	" " hinge
43	1216	" " " screw (2)
44	201202	" " " pin
45	201203	" " lock spring
46	1216	" " " " screw
47	202937	Right looper cover, complete with 202939
48	1216	" " cover screw (2)
49	202938	Looper thread plate
50	1216	" " " " screw (3)
51	202936	Feed mechanism cover latch
52	1216	" " " " screw (2)
53	201755	Machine top cover plug
54	205722	Upper knife cover name plate

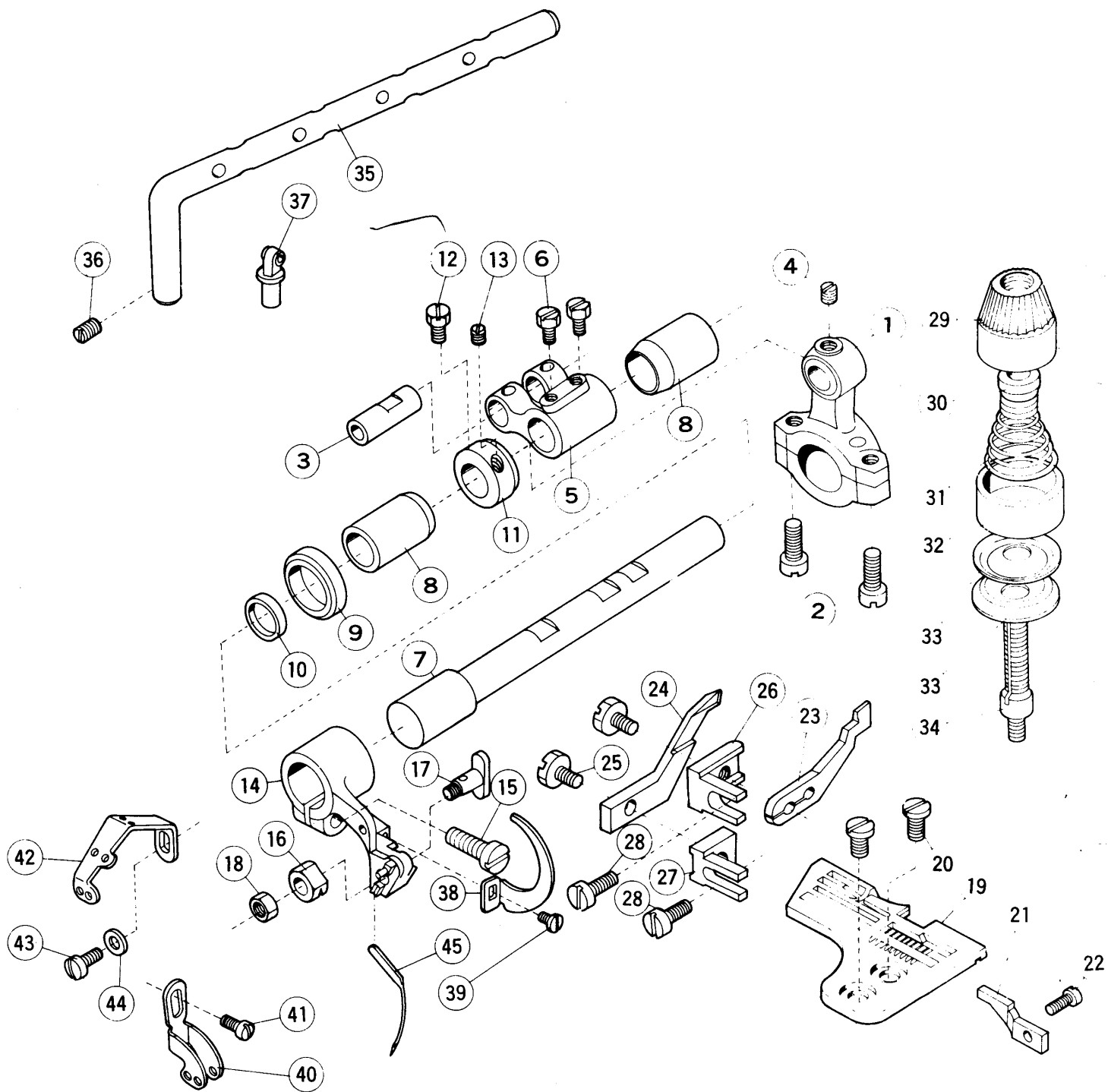




CRANKSHAFT MECHANISM

Ref.

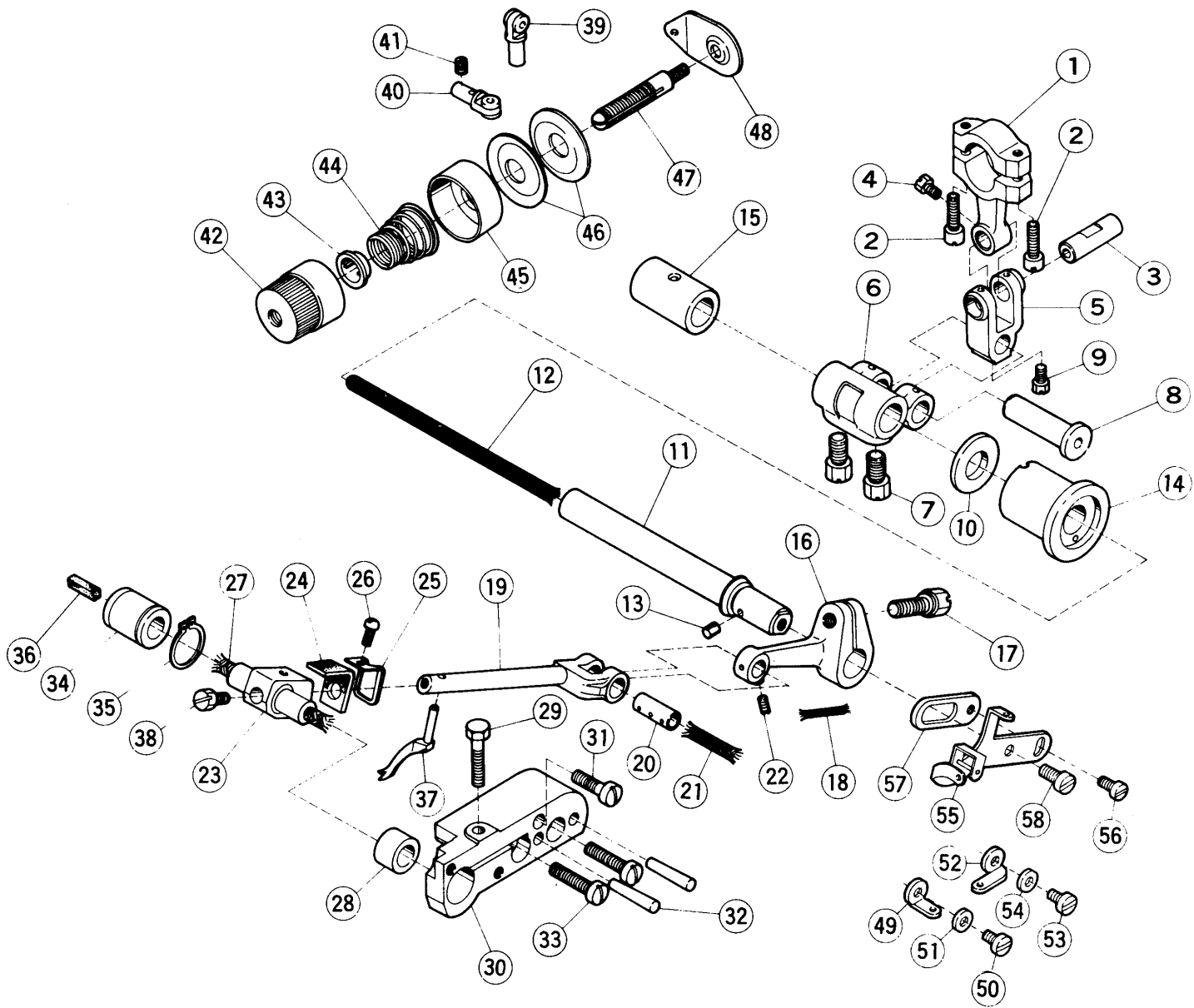
No.	Part No.	Description
1	205486	Crankshaft, complete with TRO78NY
2	205488	Crankshaft key
3	205489	" oil flow regulator
4	1459	" " " " screw
5	202902	" bearing (left)
6	202907	" " " oil seal ring
7	202906	" " " retainer
8	1175-2	" " " " screw (3)
9	202908	" " " oil seal ring
10	202901	" " " retaining ring
11	205490	" bushing (center)
12	2022-3	" " " screw
13	201010A	" counterweight
14	5060	" " screw (2)
15	201298	" worm
16	5060	" " screw (2)
17	202902	" bearing (right)
18	202907	" " " oil seal ring
19	202904	" " " retaining bracket
20	202905	" " " " " gasket
21	1175-2	" " " " " screw (3)
22	202909	" " " oil seal collar
23	205149	Oil cooling fan
24	5149	" " " position screw
25	1458	" " " screw
26	201017A	Pulley
27	5080	" position screw
28	5081	" screw
29	205471	" cap
30	5010	" " screw (3)
31	<del>202523</del>	<del>" " name plate</del>
32	<del>5214</del>	<del>" " " " screw</del>
33	201022	" 'o' ring (2)



NEEDLE DRIVE MECHANISM

Ref.

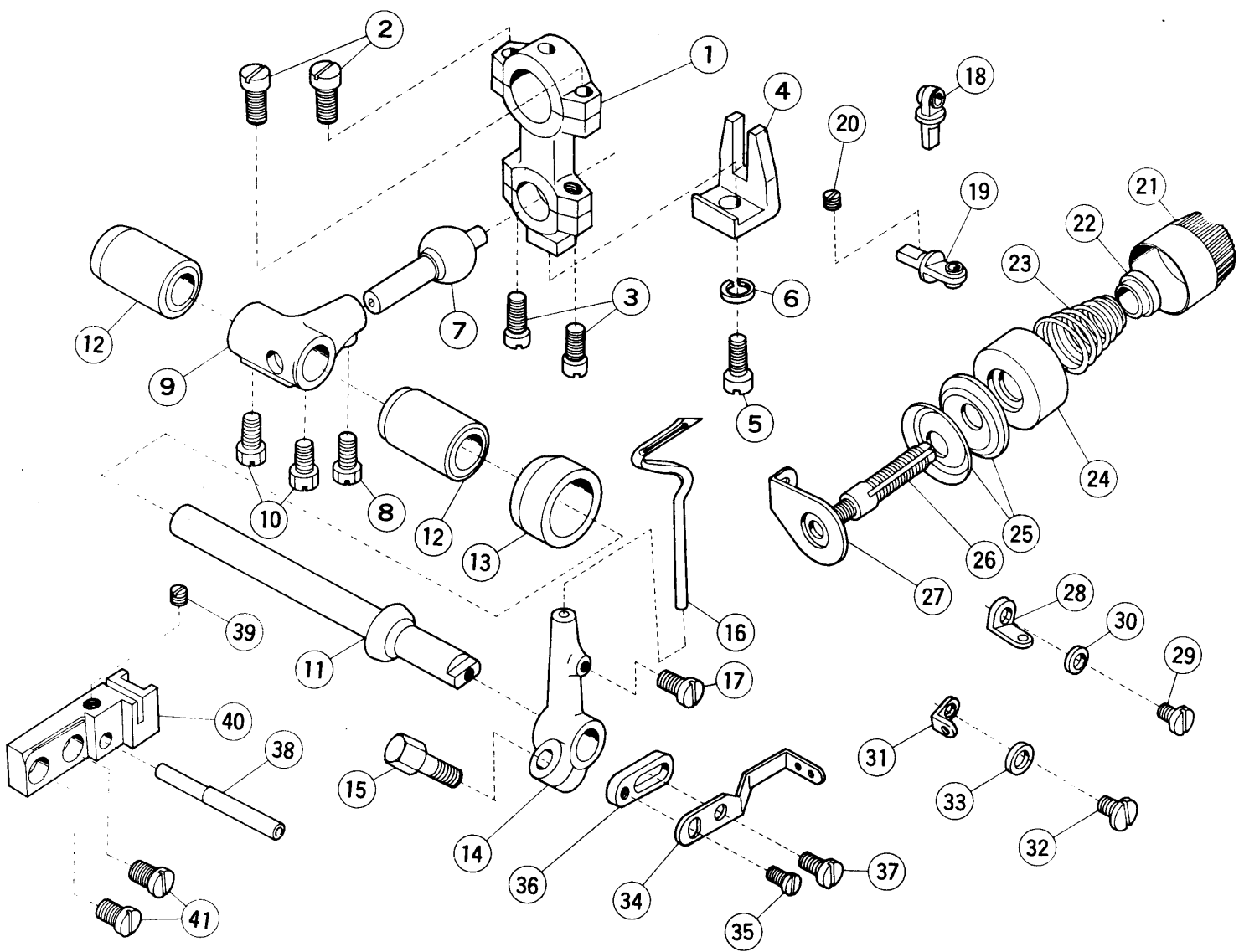
No.	Part No.	Description
1	201023	Needle drive connection
2	2213-1	" " " cap screw (2)
3	<del>202711A</del> 205475	" " " hinge pin
4	1457	" " " " " screw
5	201025	" " " crank
6	5084	" " " screw (2)
7	205273	" " " shaft
8	201027A	" " " bushing (2)
9	202910	" " " " thrust washer
10	202911	" " " oil seal
11	201029	" " " thrust collar
12	5084	" " " " " screw
13	1457	" " " " " screw
14	205266	" " " arm
15	5002	" " " clamp screw
16	201031A	" " " clamp
17	201239A	" " " screw stud
18	3044	" " " " " nut
19	205322	" " " plate
20	4009-1	" " " screw (2)
21	201034A	" " " key
22	5053	" " " " screw
23	201248B	" " " guard (front)
24	201249B	" " " (rear)
25	5364	" " " screw (2)
26	202491	" " " (front) holder
27	202492	" " " (rear) holder
28	1175-3	" " " " " screw (2)
	202480	" " " thread tension, complete with 201035A, 202278, 201086, 201039, 201482x2 & 5082A
29	201035A	" " " tension nut
30	202278	" " " " spring bushing
31	201086	" " " " " (medium)
32	201039	" " " " " cup
33	201482	" " " " " disc (2)
34	5082A	" " " " " post
35	202999	Thread guide bar
36	5185	" " " " screw
37	201048A	Needle thread eyelet
38	205270	" " " " take-up
39	<del>1186</del> <sup>5089</sup>	" " " " " screw
40	205263	" " " " " guide (upper)
41	1174	" " " " " " screw
42	205264	" " " " " (lower)
43	1206	" " " " " " screw
44	137906	" " " " " " washer
45	U0x154 205737	Needle 針糸可止片全



RIGHT LOOPER DRIVE MECHANISM

Ref.

Ref. No.	Part No.	Description
1	202619A	Right looper drive connection
2	5002	" " " " cap screw (2)
3	205495	" " " " hinge pin
4	5084	" " " " " " screw
5	202709A	" " " " crank
6	202710A	" " lever shaft crank
7	2022-4	" " " " " screw (2)
8	205496	" " " " " hinge pin
9	5084	" " " " " " screw
10	202922	" " " " " thrust washer
11	202622B	" " " shaft
12	202178	" " " " oil wick
13	202081	" " " " felt
14	205521	" " " " bushing (front)
15	204054	" " " " " (rear)
16	202626A	" " " connection
17	5219	" " " " clamp screw
18	202175	" " " " oil wick
19	205491	" " lever
20	202625	" " " hinge pin
21	202176	" " " " " oil wick
22	5146	" " " " " screw
23	205493	" " " guide
24	205493	" " " " oil felt
25	205491	" " " " " " retainer
26	1231	" " " " " " " " screw
27	202177	" " " " " wick (2)
28	202917	" " " " bushing (front)
29	5305	" " " " " " clamp screw
30	205408	" " " " bracket
31	<del>2133-1</del>	<del>" " " " " " removing screw</del>
32	<del>202926</del>	<del>" " " " " " cone pin (2)</del>
33	5095	" " " " " screw (2)
34	202919	" " " " bushing (rear)
35	202920	" " " " " " retainer
36	204273	" " " " " " oil felt
37	202842	" looper - #2
38	1998-2	" " screw
39	201048A	" " thread eyelet, complete with 201048A-1
40	201048A	" " " eyelet, complete with 201048A-1
41	1459	" " " eyelet screw
	202409	" " " tension, complete with parts of Ref.Nos.42-47
42	201035A	" " " tension nut
43	202278	" " " " spring bushing
44	201068	" " " " " (weak)
45	201039	" " " " " cup
46	201482	" " " " " disc (2)
47	5082A	" " " " " post
48	202849	" " " " " guide
49	201089	" " " " " guide (left)
50	2921	" " " " " " screw
51	202875	" " " " " " washer
52	202859	" " " " " (right)
53	2921	" " " " " " screw
54	202875	" " " " " " washer
55	202829A	" " " " take-up
56	5064	" " " " " screw
57	202858	" " " " " holder
58	2921	" " " " " " screw



LEET LOOPER DRIVE MECHANISM

Ref.

No.	Part No.	Description
1	201073B	Left looper drive connection
2	5002	" " " " cap screw (large) (2)
3	1170-1	" " " " " " (small) (2)
4	201074A	" " " " guide
5	1156	" " " " " screw
6	202286	" " " " " " washer
7	201075	" " " " ball stud
8	5048	" " " " " " screw
9	201079A	" " " " crank
10	5048	" " " " " screw (2)
11	201080	" " " " shaft
12		" " " " " bushing (2)
13	202923	" " " " " housing
14	201084A	" " " " lever
15	5274	" " " " clamp screw
16	202861	" " " " looper
17	5328	" " " " screw
18	201048A	" " " " thread eyelet (upper), complete with 201048A-1
19	201048A	" " " " " (lower), complete with 201048A-1
20	1459	" " " " " (lower) screw
	202480	" " " " tension, complete with 201035A, 202278, 201086, 201039, 201482x2 & 5082A
21	201035A	" " " " " nut
22	202278	" " " " " spring bushing
23	201086	" " " " " " (middle)
24	201039	" " " " " " cup
25	201482	" " " " " disc (2)
26	5082A	" " " " " post
27	202849	" " " " " guide
28	201089	" " " " " guide (right)
29	2921	" " " " " " screw
30	202875	" " " " " " " washer
31	202860	" " " " " (left)
32	2921	" " " " " " screw
33	202875	" " " " " " " washer
34	202830A	" " " " " take-up
35	2921	" " " " " " screw
36	201088	" " " " " " bracket
37	1202	" " " " " " " screw
38	201091	" " " " " tube
39	1892	" " " " " " screw
40	201092A	" " " " " " bracket
41	1175-2	" " " " " " " screw (2)

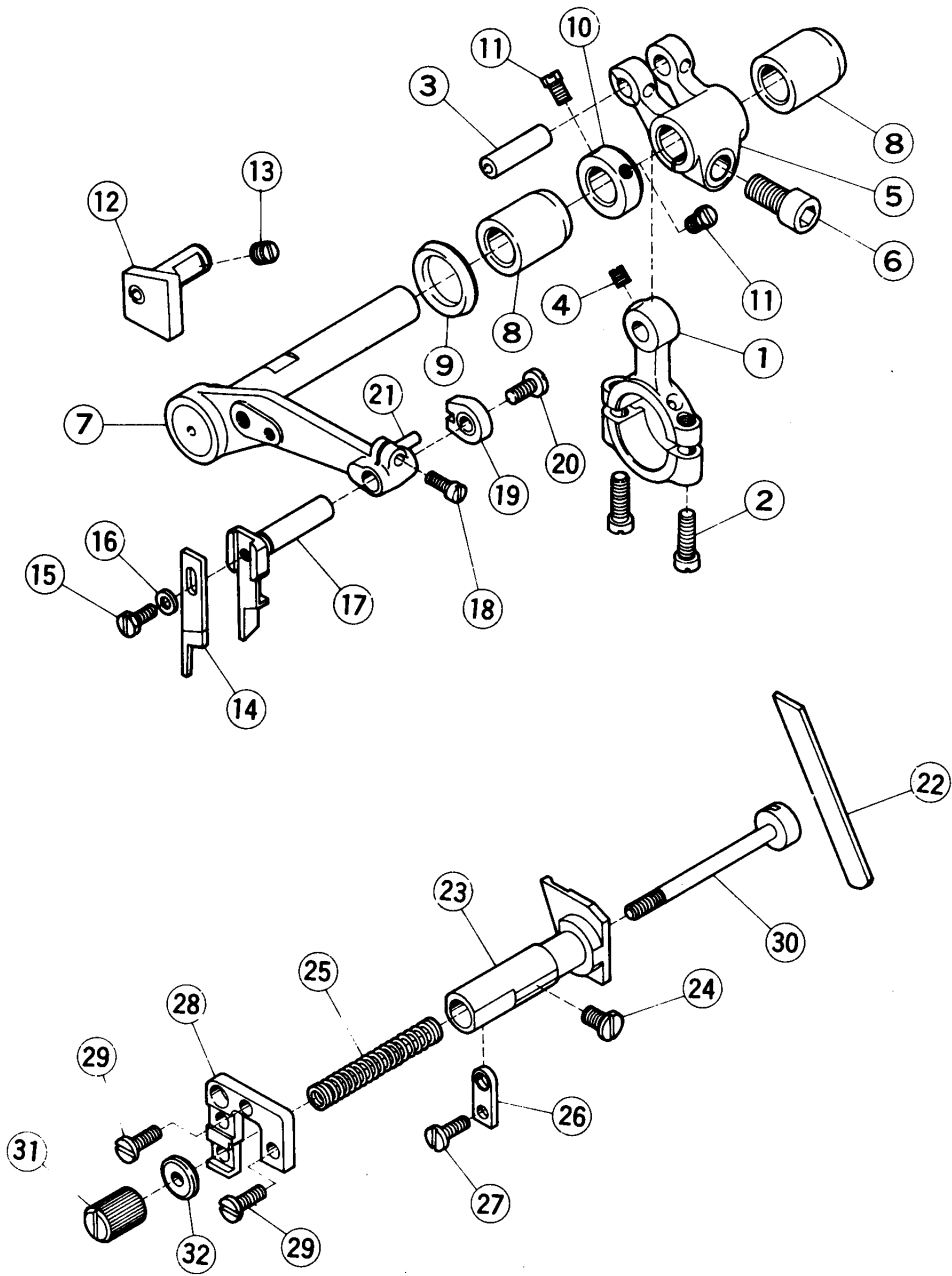




MAIN AND DIFFERENTIAL FEED DRIVE MECHANISM

Ref.

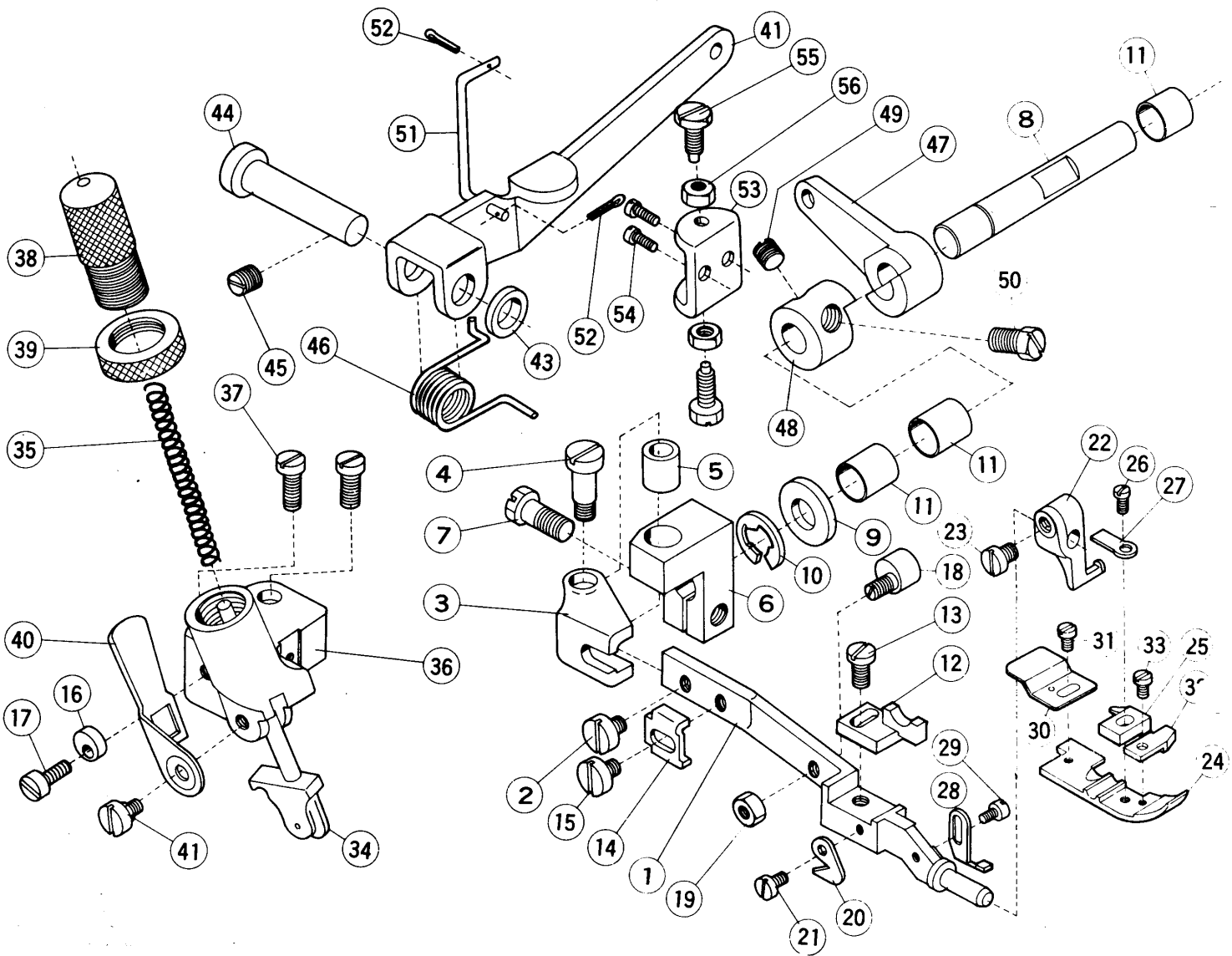
No.	Part No.	Description
1	201093A	Main feed bar, complete with 201093-1A
2	248	" " dog
3	1202	" " " screw
4	201096A	Diff. feed bar, complete with 201093-1A
5	202854A	" " dog
6	1202	" " " screw
7	205498	Main feed connecting link
8	206119	" " " " bushing
9	206120	" " " " " screw
10	3044	" " " " " nut
11	200098	" " " " " " washer
12	205499	Diff. feed connecting link
13	206122	" " " " bushing
14	206123	" " " " " screw
15	3044	" " " " " nut
16	200098	" " " " " " washer
17	205500	Main feed eccentric - #6
18	205500	Diff. feed eccentric - #6
19	205501	Feed eccentric needle bearing (2)
20	5213	" " lock nut
21	202924	" " " " washer
22	205133	" bar lift block
23	201107	" " guide block
24	202200	" " tilt adjust pin
25	2022	" " " " " screw
26	201109	" " guide (right)
27	1175-3	" " " " screw (2)
28	167066	" " " " washer (2)
29	205497	" " " (left)
30	5095	" " " " screw (2)
31	201110	" " " oil wick tube
32	1435	" " " " " screw
33	202176	" " " " wick



UPPER AND LOWER KNIFE DRIVE MECHANISM

Ref.

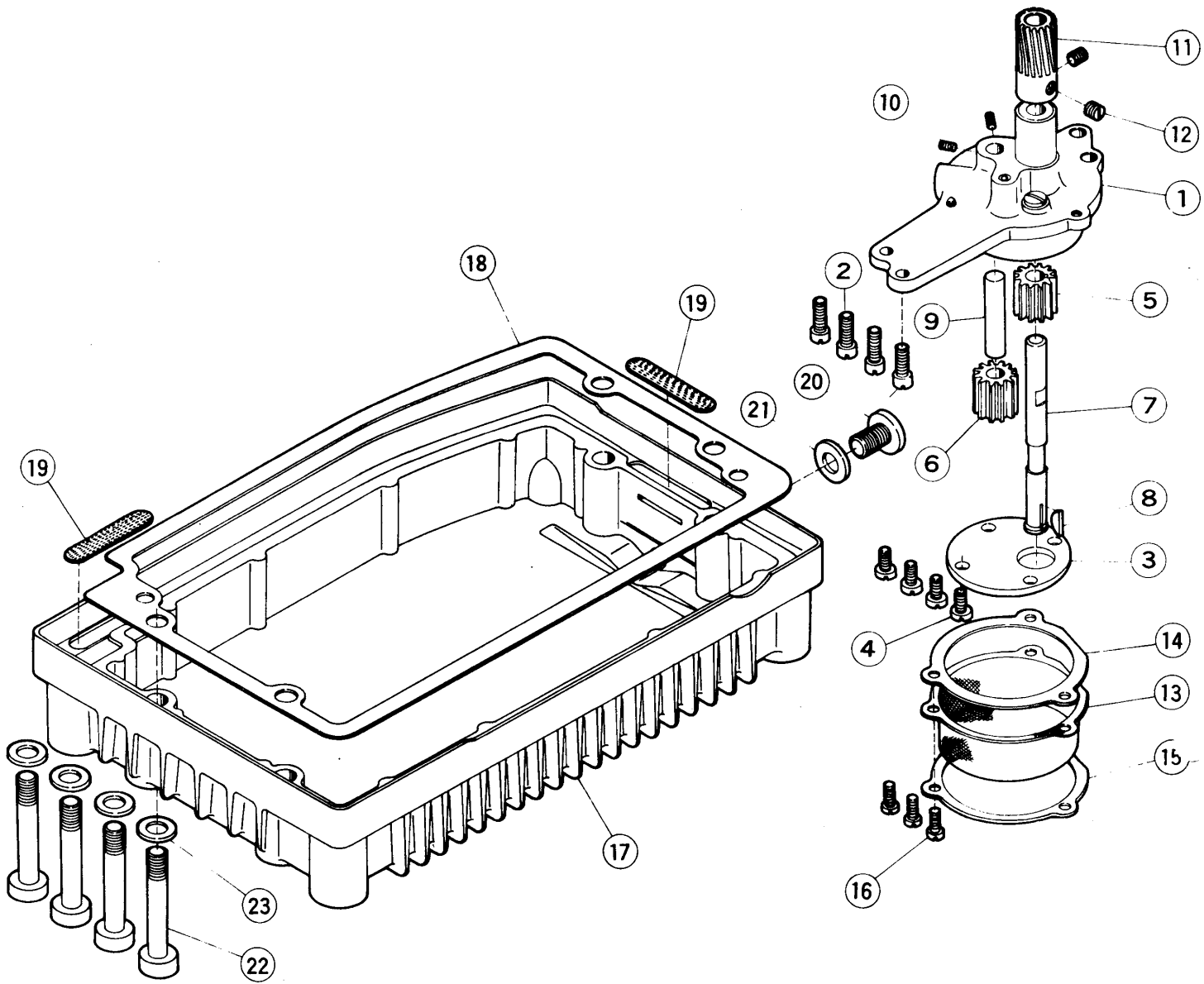
No.	Part No.	Description
1	202925	Upper knife drive connection
2	5187	" " " " cap screw (2)
3	<del>202711A</del> 205495	" " " " hinge pin <span style="float:right">S/S. 5. 22</span>
4	1457	" " " " " " screw
5	201360B	" " " crank
6	5381	" " " " clamp screw
7	205292	" " lever, complete with 205148 & 205147
8	201115A	" " lever shaft bushing (2)
9	202927	" " " " oil seal
10	201117	" " " " thrust collar
11	<del>5084</del> 5328	" " " " " " screw (2) <span style="float:right">S.S. 4. 25</span>
12	202636	" " " guide
13	2022	" " " " screw
14	201121A	" knife
15	5088	" " screw
16	167066	" " " washer
17	202637B	" " holder
18	1175-2	" " " screw
19	202638B	" " " guide, complete with 202381
20	1189	" " " guide screw
21	201125	" " " " pin
22	202295	Lower knife
23	202739	" " holder
24	4009-1	" " " screw
25	201129	" " " spring
26	201130A	" " " " retainer
27	1175-3	" " " " " screw
28	201131A	" " " guide
29	1175-3	" " " " screw (2)
30	201132B	" " clamp stud
31	5260	" " " " nut
32	201134	" " " " washer



PRESSER FOOT AND LIFT MECHANISM

Ref.

No.	Part No.	Description
1	205202B	Presser arm
2	5214	" " screw
3	202505	" " swing-out connection
4	5164	" " " " hinge screw
5	201141	" " " " " " bushing
6	202575A	" " " " bracket
7	5266	" " " " screw
8	202574	Foot lift lever shaft
9	202576	" " " " thrust collar
10	202577	" " " " retaining ring
11	202589	" " " " bushing (3)
12	202578	Presser arm guide
13	5117	" " " " screw
14	202503	" " regulator
15	5214	" " " " screw
16	202683	" " stopper
17	5345	" " " " screw
18	5258	" " regulating screw (eccentric)
19	5137	" " " " nut
20	202451	Chain cutter knife
21	2921	" " " " screw
22	202504A	Presser foot holder
23	4009-1	" " " " clamp screw
24	202799	" foot
25	201224B	" " chaining-off finger
26	5089	" " " " screw
27	201156	" " hinge spring
28	202512A	" " regulator
29	1229	" " " " screw
30	205342A	" " uncurler
31	5428	" " " " screw
32	201265B	" " fabric guard
33	1231	" " " " screw
34	202507	" bar, complete with 202508, 202509, 202778 & 202779
35	201148A	" bar spring
36	202518A	" " housing
37	2903	" " " " screw (2)
38	202510	Pressure regulating thumb screw
39	202871	" " " " lock nut
40	202511	Hand lift lever
41	5256	" " " " screw
42	201160B	Foot lift lever
43	202868	" " " " hinge pin washer
44	201161	" " " " pin
45	2022	" " " " " " screw
46	201162A	" " " " spring
47	201163	" " intermediate lever
48	201164A	" " " " collar
49	2022	" " " " " " screw
50	2022-4	" " " " " " (with hex. head)
51	201165	" " lever connecting pin
52	201166	" " " " " " split-pin (2)
53	201167A	" " " " bracket
54	5142	" " " " " " screw (2)
55	5097	" " " " " " regulating screw (2)
56	3044	" " " " " " nut (2)

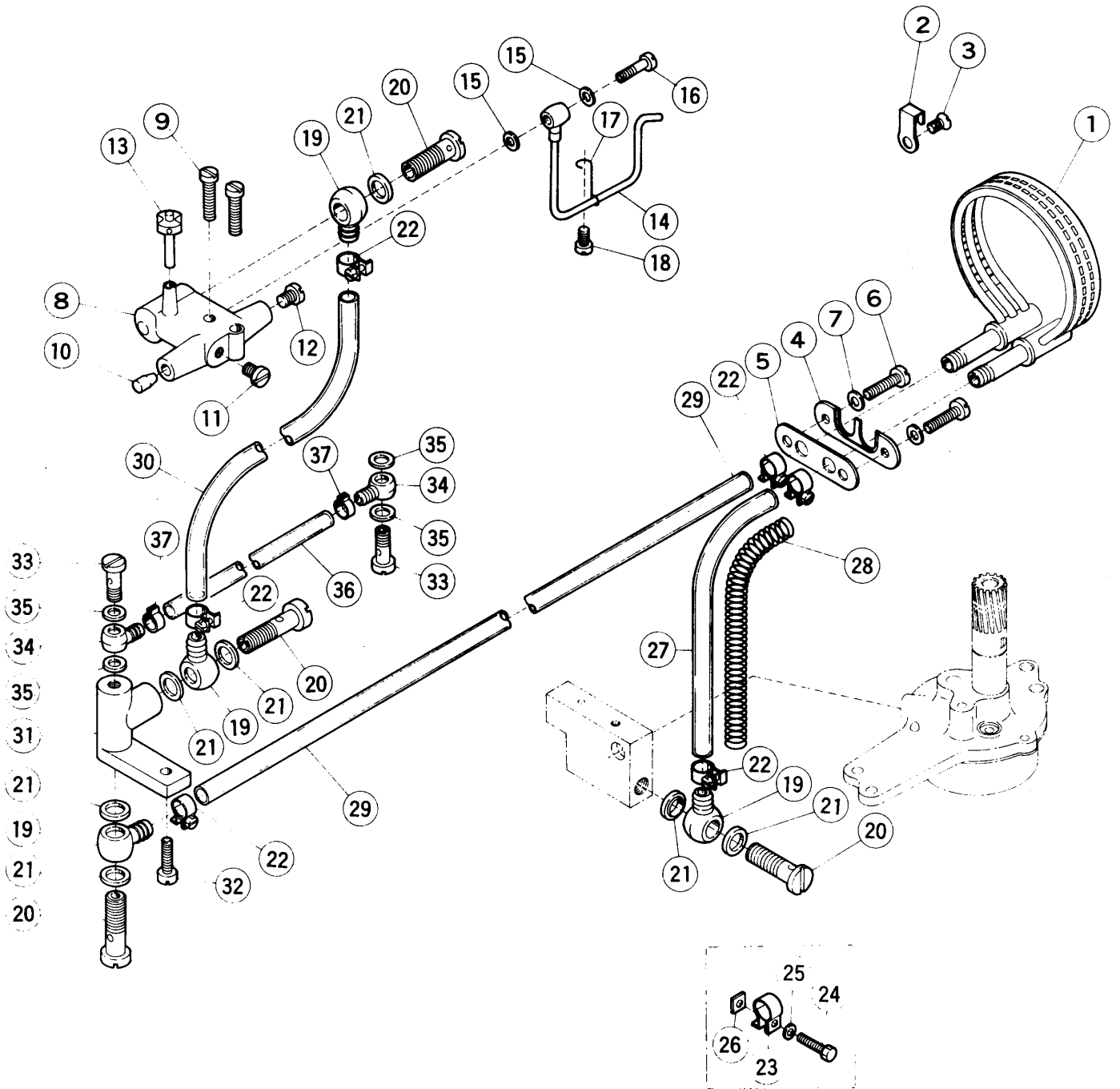


(1) PUMP LUBRICATING MECHANISM

Ref.

No.	Part No.	Description
	205378	Gear pump, complete with parts of Ref.Nos.1-12
1	*201288A	" pump housing, complete with 201548x2, 201289A, 201290A, 2213-1x2, 201291 & 201292
2	2213-1	" " housing screw (4)
3	*201293A	" " casing plate
4	5117	" " " " screw (4)
5	*201294	Pump gear (right)
6	*201295	" " (left)
7	*201296	" " shaft (long)
8	*201009	" " " " key
9	*201297	" " " (short)
10	1458	" " " " screw (2)
11	*201299	Worm wheel
12	5060	" " screw (2)
13	201338	Oil screen filter, complete with 201339 & 201340
14	201311	" " filter gasket
15	201341	" " " frame
16	1175-2	" " " screw (3)
17	201334B	Oil pan
18	201335	" " gasket
19	201487	" " filter (2)
20	5138B	" drain plug screw
21	202287A	" " " " washer
22	5150B	" pan bolt (4)
23	204806	" " " washer (4)

\* It takes three months to ship after receipt of order.

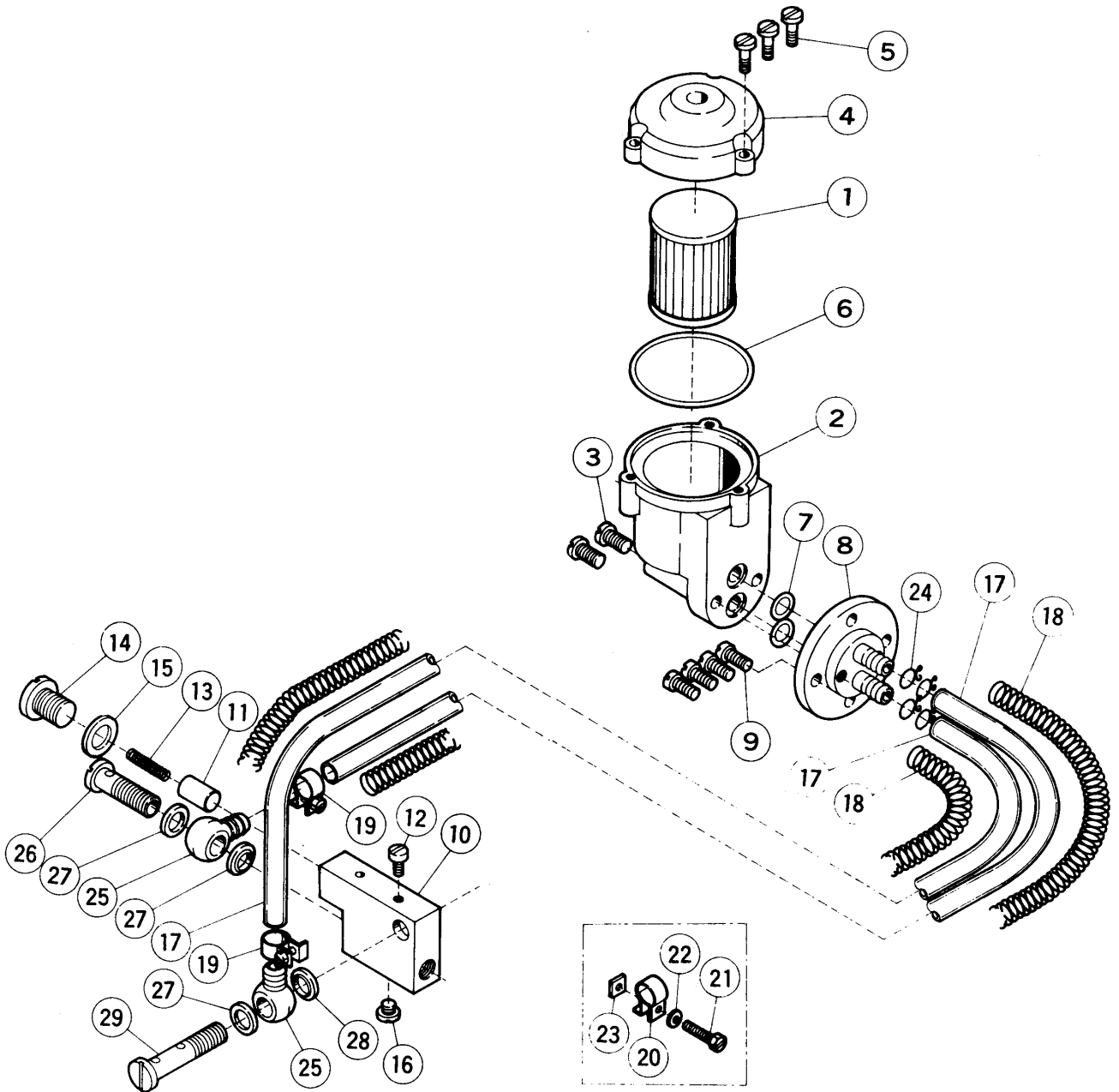




(2) PUMP LUBRICATING MECHANISM

Ref.

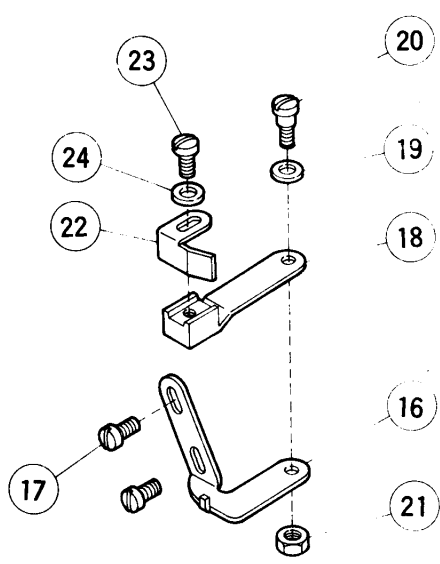
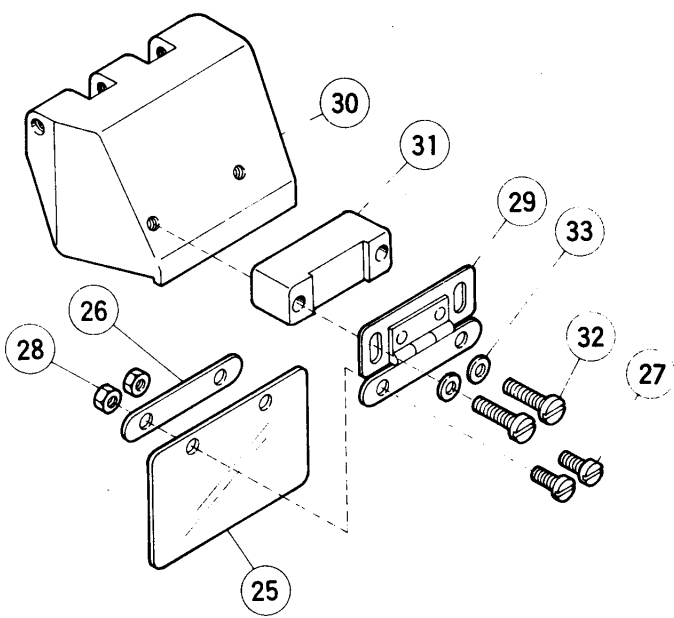
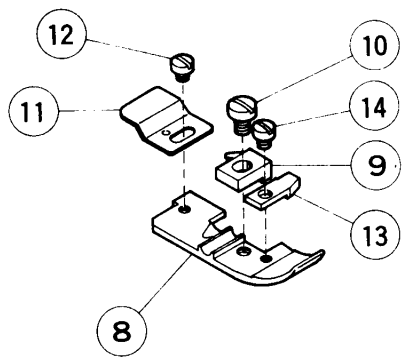
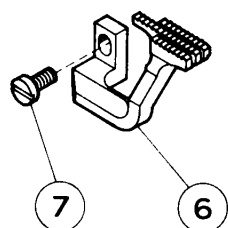
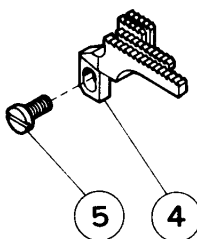
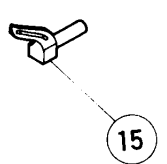
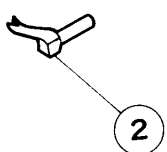
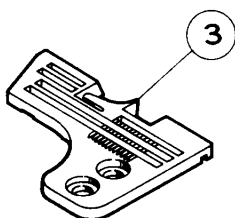
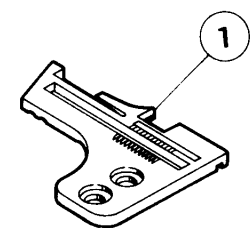
No.	Part No.	Description
1	201342B	Oil cooler assembly, complete with 201343B, 201344B & 201484
2	201345A	" " tube clamp
3	3001	" " " " screw
4	201315	" " retaining plate
5	201316	" " " " gasket
6	5152	" " " " screw (2)
7	200149	" " " " washer (2)
8	205503	" distributor
9	5095	" " screw (2)
10	202903	" " plug
11	201323	" " oil splash screw (right)
12	201324	" " " " " (front)
13	202794	" splash indicator, complete with 202792 & 202793
14	201327	" tube, complete with 201757 - for worm gear
15	201759	" tube joint washer (2)
16	201758	" " joint
17	202208	" " clamp
18	5117	" " " screw
19	201300A	" " joint (4)
20	201301	" " " oil splash screw (4)
21	202287A	" " " " " " washer (7)
22	205517	" " clamp, complete with parts of Ref.Nos.23-26 (6)
23	<del>TR156NY</del>	" " clamp (6)
24	<del>TR157NY</del>	" " " screw (6)
25	<del>TR158NY</del>	" " " " washer (6)
26	<del>TR159NY</del>	" " " " nut (6)
27	201319A	" pump tube
28	201304	" " " spring
29	201320-1	" distributor tube, for 205490
30	202931	" " tube
31	202928	" distributor, for 205490
32	1156	" distributor screw
33	200152	" " tube joint oil splash screw (2)
34	200136	" " " joint (2)
35	200138	" " " " oil splash screw washer (4)
36	200134A	" " tube
37	202199	" " " clamp (2)



(3) PUMP LUBRICATING MECHANISM

Ref.

No.	Part No.	Description
1	206233	Oil cleaner
2	206429	" " box
3	5186	" " " screw (2)
4	206430	" " " cap
5	5152	" " " " screw (3)
6	206431	" " " " ring
7	204185	" " " 'o' ring (2)
8	205505	" " " bracket, complete with TRO95NY & TRO96NYx2
9	5002	" " " bracket screw (4)
	205506	" " " bracket
	205507	" " " " joint (2)
10	205508	" flow regulator casing
11	205509	" " regulator
12	5029	" " " stop screw
13	205510	" " " spring
14	5138B	" " " screw
15	202287A	" " " " washer
16	5261	Dead hole plug screw
17	202929	Oil tube (2)
18	202930	" " spring (2)
19	205517	" " clamp, complete with <del>TR156NY</del> , <del>TR157NY</del> , <del>TR158NY</del> & <del>TR159NY</del>
20	<del>TR156NY</del>	" " clamp (2)
21	<del>TR157NY</del>	" " " screw (2)
22	<del>TR158NY</del>	" " " washer (2)
23	<del>TR159NY</del>	" " " nut (2)
24	201303	" " clamp (4)
25	201300A	" splash joint (2)
26	201301	" " screw (short)
27	202287A	" " " washer (3)
28	205512	" " " washer
29	20551	" " " (long)



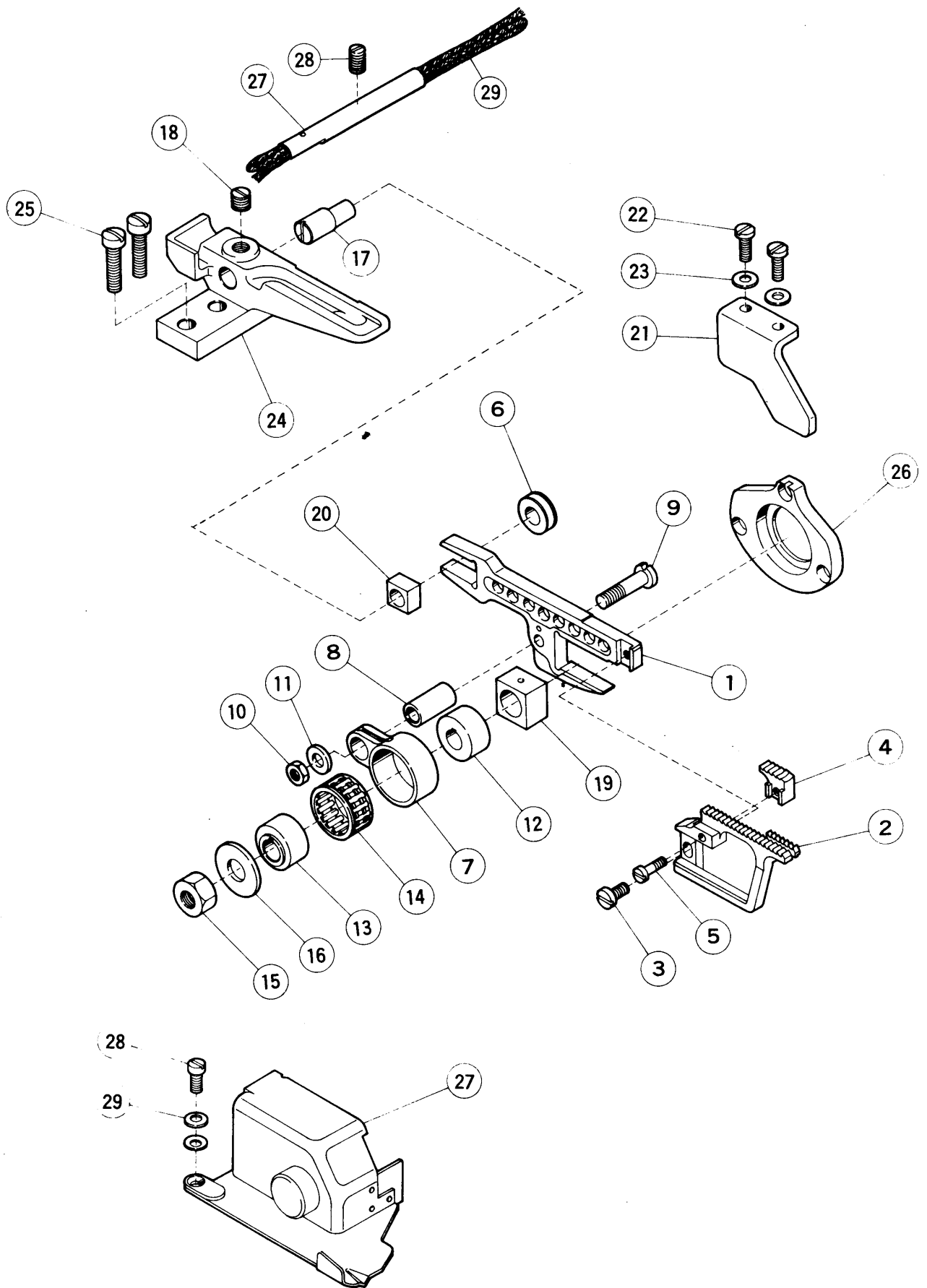
SPECIFIC PART ASSORTMENTS

Ref.

No.	Part No.	Description
	<del>205483</del>	*** Parts for model R57-14S only ***
	<del>TR154NY</del>	Type plate - not shown
1	205358	Needle plate
2	202842	Right looper - #2 stamped
	<del>205484</del>	*** Parts for model R57-57S only ***
	<del>TR155NY</del>	Type plate - not shown
3	205239	Needle plate
4	205250	Main feed dog
5	1202	" " " screw
6	202544D	Differential feed dog
7	1202	" " " " screw
8	205253	Presser foot body
9	201224B	" " chaining-off finger
10	5089	" " " " screw
11	205342A	" " uncurler
12	5428	" " " " screw
13	201265B	" " fabric guard
14	1231	" " " " screw
15	202874	Right looper - #1 stamped
	201037	Needle thread tension spring (heavy) - not shown
	201086	Left looper thread tension spring (middle) - not shown
	<del>TR038NY-10</del>	Main feed eccentric - #10 - not shown
	<del>TR038NY-8</del>	Diff. feed eccentric - #8 - not shown

ATTACHMENTS

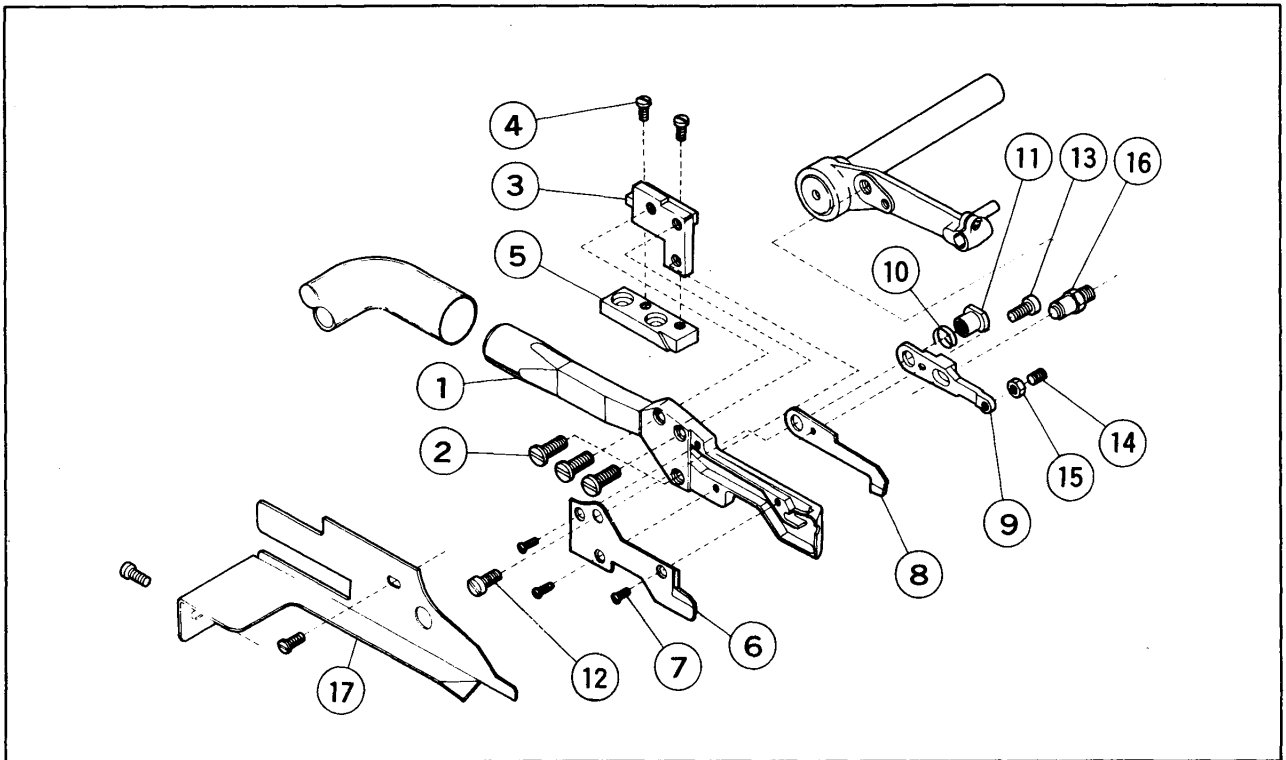
	201500	Edge guide, complete with parts of Ref.Nos.16-24
16	201232A	" guide arm holder
17	1202	" " " " screw (2)
18	201485	" " arm
19	201191	" " " hinge screw washer
20	5184	" " " " screw
21	3044	" " " " " nut
22	201233A	" guide
23	1202	" " screw
24	137906	" " " washer
	205355	Eye guard, complete with parts of Ref.Nos.25-29
25	204924	" guard
26	204925	" " screw nut washer
27	2918	" " screw (2)
28	5099	" " " nut (2)
29	205345	" " hinge, complete with 204923, 204926, 204927, 205343 & 204989x2
30	205340	Upper knife cover
31	205344	Eye guard hinge base
32	5405	" " " " screw (2)
33	200821	" " " " " washer (2)



PLAIN FEED DRIVE MECHANISM  
FOR MODEL R57-14S ONLY

Ref.

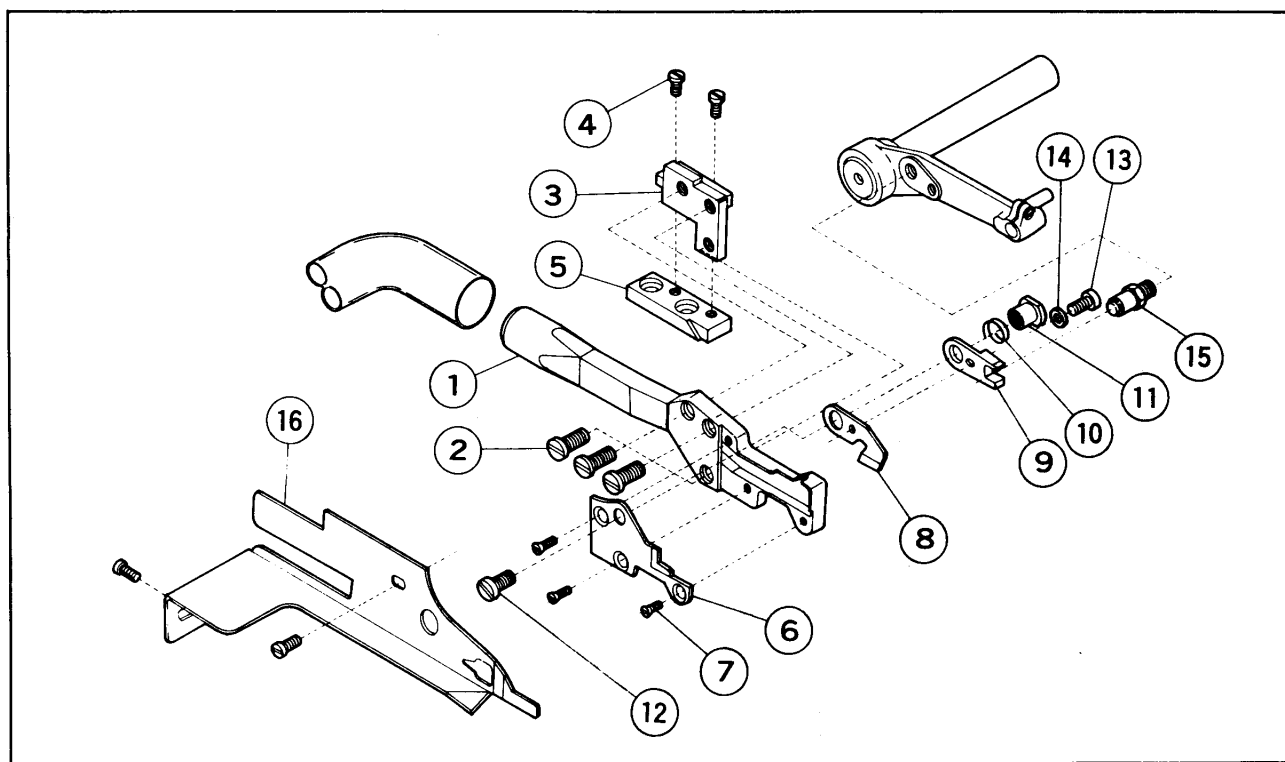
No.	Part No.	Description
1	201093A	Plain feed bar
2	205356	" " dog
3	1202	" " " screw
4	202671	Auxiliary feed dog
5	5335	" " " screw
6	202566	Plain feed bar spacer
7	205498	" " " connecting link
8	206119	" " " " " bushing
9	206120	" " " " " screw
10	3044	" " " " " nut
11	200098	" " " " " washer
12	205507	" " " " " collar
13	205500	Feed eccentric - #5
14	205501	" " needle bearing
15	5213	" " lock nut
16	202924	" " " " washer
17	202200	" bar tilt adjust pin
18	2022	" " " " screw
19	205133	" " lift block
20	201107	" " guide block
21	201109	" " " (right)
22	1175-3	" " " screw (2)
23	167066	" " " washer (2)
24	205497	" " " (left)
25	5095	" " " screw (2)
26	202943	Crankshaft bearing (left) retainer
27	205516	Feed mechanism cover, complete with TRO94NY & <del>TRO88NY</del> <sup>205515</sup>
28	5215	" " cover screw
29	201191	" " " " washer



Ref.

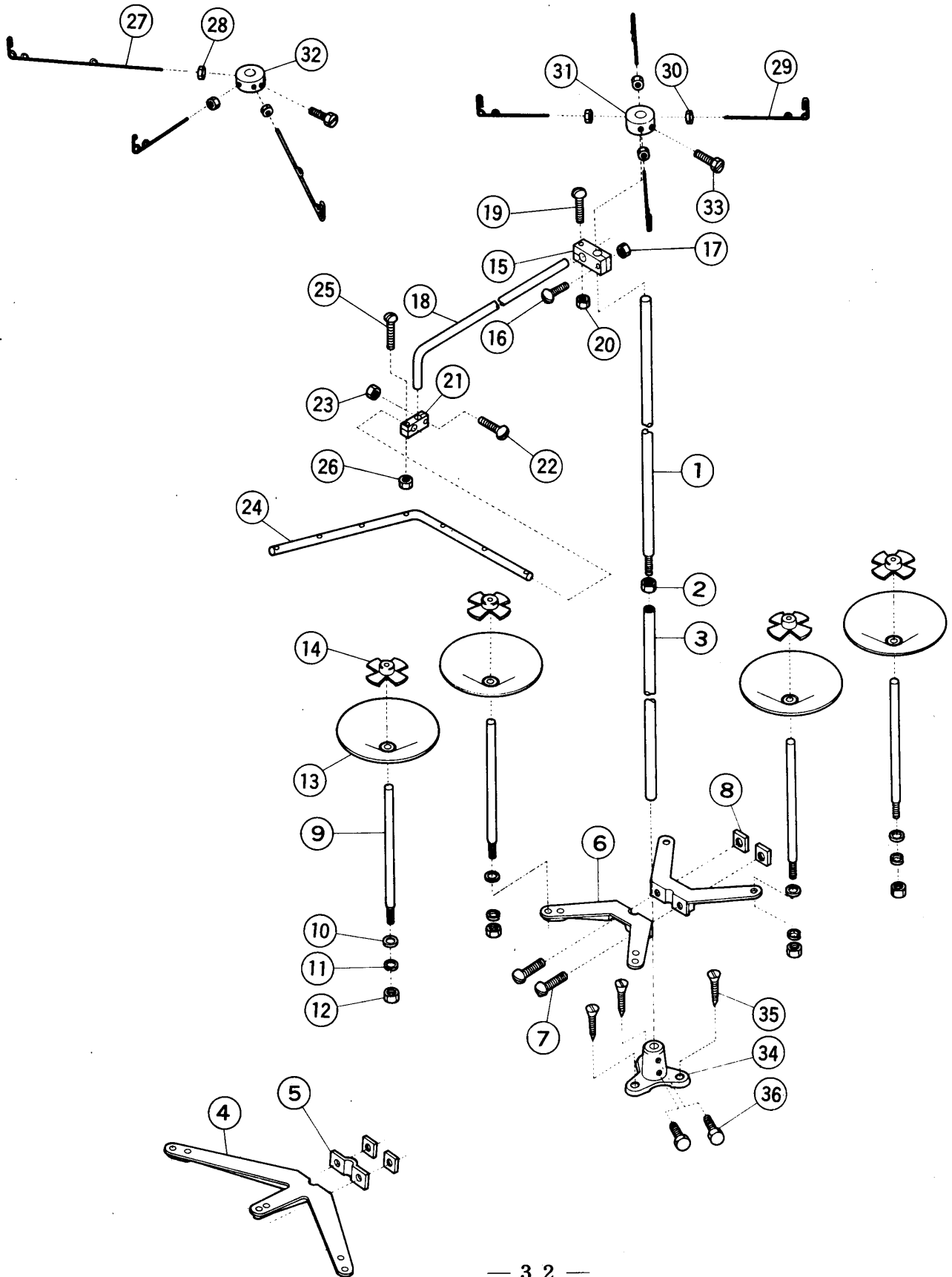
No.	Part No.	Description
	300237	KSR-570 head complete
1	300212	Chain cutter frame
2	1189	" " " screw (3)
3	300045	" " " bracket
4	5205	" " " " screw (2)
5	300046	" " " " base
6	300047	Stationary blade
7	5022	" " " screw (3)
8	300236	Movable blade
9	300234	" " " guide
10	303278	" " " spring
11	300235	" " " screw nut
12	4009-1	" " " screw
13	1186	" " " screw
14	5408	Pressure regulating screw
15	5409	" " " " nut
16	300135A	Movable blade guide pin
17	300056	Stationary blade fabric guard - used in place of Cloth Plate Fabric Guard





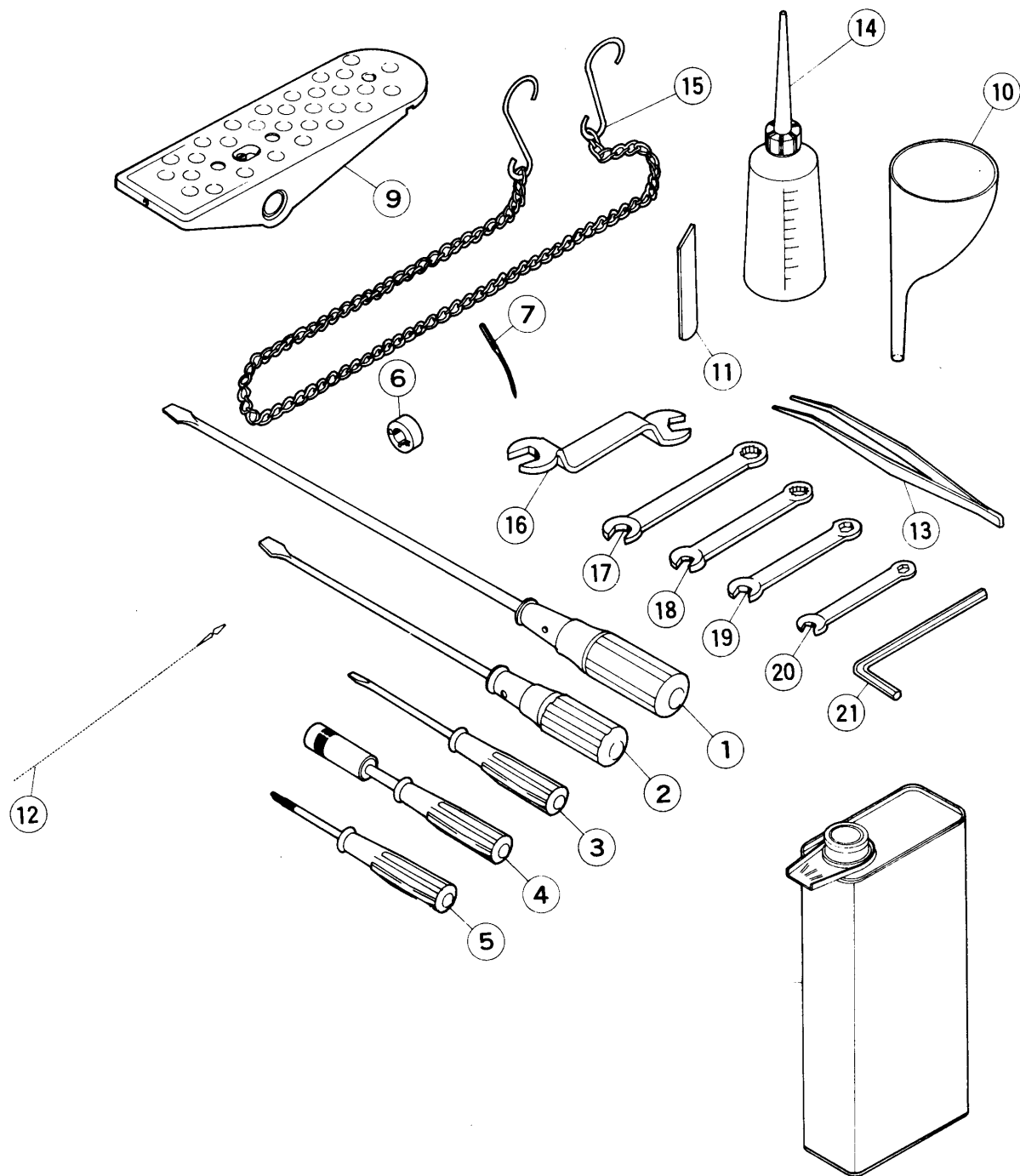
Ref.

No.	Part No.	Description
	300241	KSR-571 head complete
1	300111	Chain cutter frame
2	1189	" " " screw (3)
3	300045	" " " bracket
4	5205	" " " " screw (2)
5	300046	" " " " base
6	300112	Stationary blade
7	5022	" " " screw (3)
8	300247	Movable blade
9	300051A	" " " guide
10	303278	" " " spring
11	300235	" " " screw nut
12	4009-1	" " " screw
13	1186	" " " screw
14	300248	" " " washer
15	300135A	" " " guide pin
16	300115	Stationary blade fabric guard - used in place of Cloth Plate Fabric Guard



THREAD STAND

Ref. No.	Part No.	Description	Spools	
			3	4
	<del>208</del> 208	Thread stand, complete - 3 spools	1	-
	<del>209</del> 209	" stand, complete - 4 spools	-	1
1	216	" stand upper rod	1	1
2	217	" " " " screw	1	1
3	218	" " lower rod	1	1
4	219	Spool pin bracket	1	-
5	243	" " " clamp plate	1	-
6	220	" " bracket	-	2
7	221	" " " clamp screw	2	2
8	222	" " " " " nut	2	2
9	223	" pin	3	4
10	224	" " washer	3	4
11	225	" " nut spring washer	3	4
12	226	" " nut	3	4
13	227	" tray	3	4
14	228	" retaining fin	3	4
15	229	Thread guide bar rod bracket	1	1
16	230	" " " " " clamp screw	1	1
17	231	" " " " " " " nut	1	1
18	232	" " " rod	1	1
19	230	" " " " screw	1	1
20	231	" " " " " nut	1	1
21	233	" " " " retaining block	1	1
22	230	" " " " " " clamp screw	1	1
23	231	" " " " " " " " nut	1	1
24	234	" " bar	1	1
25	230	" " " clamp screw	1	1
26	231	" " " " " nut	1	1
27	235	" " wire (long)	2	-
28	236	" " " " lock nut	2	-
29	237	" " " (short)	1	4
30	236	" " " " lock nut	1	4
31	260	" " " holder	1	-
32	261	" " " holder	-	1
33	239	" " " " screw	1	1
34	240	" stand base	1	1
35	241	" " " wood screw	3	3
36	242	" " " rod screw	2	2



ACCESSORIES

Ref. No.	Part No.	Description
1	127	Screwdriver (large)
2	128	" (medium)
3	129	" (small)
4	152	Socket wrench
5	154	Feed eccentric extractor
6	205500	" eccentric - see Page 36
7		Needle (10 pieces)
8	134	Oil container (750cc)
9	245	Treadle
10	135A	Oil funnel
11	202295	Lower knife - for Models R57-03S & R57-14S
	201127	" knife - for Model R57-57S
12	153	Threading wire
13	131	Tweezers
14	132	Oiler
15	126	Treadle chain
16	130	Wrench - 12mm & 14mm
17	286	" - 9.5mm
18	284	" - 7.0mm
19	283	" - 6.0mm
20	282	" - 5.0mm
21	200	Allen key

LIST OF ORGANIZATION PARTS

Machine model	Gauge	Needle plate	Feed dog			Presser foot			
			main	diff.	aux.	body	finger	fab.guard	uncurler
R57-03S	5mm	205322	205248	202854A	-----	202799	201224B	201265B	205342A
R57-14S	4mm	205358	205356	-----	202671	"	"	"	"
R57-57S	3mm	205239	205250	202544D	-----	205253	"	"	"

Machine model	Looper		Needle guard		Knives		Feed eccentrics (TRO38NY- )			
	right	left	front	rear	upper	lower	with machine		in accessory	
							main	diff.	main	diff.
R57-03S	202842	202861	201248B	201249B	201121A	202295	6	6	5.5	7
R57-14S	"	"	"	"	"	"	6	--	8	--
R57-57S	202874	"	"	"	"	201127	10	8	10	14

Machine model	Tension springs			Feed mechanism cover	KS chain cutter	Type plate
	needle thread	left thread	looper thread			
R57-03S	201086	201086		<del>TR165NY</del> 205513	KSR-572	<del>TR153NY</del> 205482
R57-14S	"	201068		<del>TR166NY</del> 205516	KSR-570	<del>TR154NY</del> 205483
R57-57S	201037	201086		<del>TR165NY</del> 205513	KSR-572	<del>TR155NY</del> 205484



