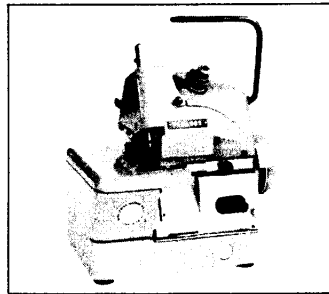


PEGASUS®

INDUSTRIAL SEWING MACHINE

PARTS LIST
MODEL DCP



IN ORDERING PARTS

This list has been arranged to simplify ordering repair parts for, on the basis of model DCP-101, model DCP-101W, 103, 105, 106, 109 & 109W.

Various sections of the mechanisms are shown on each page. On the page opposite the illustrations will be found a listing of the parts with their reference numbers, parts numbers, names, the number of pieces required and the remarks.

Where parts for model DCP-101 and other DCP-100 series machines are not the same, the difference is shown in the remarks column and on the pages 20 to 23. When a part is used for all machines covered by page 2 to 19 of this list, no machine model is mentioned in the remarks column.

In converting DCP-101 to other type, it is necessary to replace the parts used in the original machine to the ones marked "◎" in this list.

The parts marked with "○" should be additionally used.

At the back of this list, a numerical index of all parts is shown. This will facilitate locating the illustration and descriptions when only the part number is known.

In ordering parts from this list, USE ONLY the PART NUMBER in the second column.

Reference number should never be used in ordering parts.

This Parts List applied to the machines manufactured in November, 1974 and is applicable to your machine subject to change without notice.

パーツ・リスト ご利用に際して

本パーツ・リストは、DCP-101形を基にDCPシリーズミシンの修理用部品を容易にご利用いただけるよう編集されています。

機構別に各頁に収録され、部品図解頁の反対頁には、参照番号、部品番号、名称、数量、備考欄の順で記載されています。

備考欄に機種名を表示した部品は、DCP-101形及び表示された機種に、その部品が共用できることを示しています。

機種名の記載されていない部品は、DCPシリーズの全機種に共用できます。

22頁から25頁にDCP-101形以外のDCPシリーズ各機種の専用部品を記載しています。DCP-101形より、他の機種に変更の場合、DCP-101形に使用している部品を部品番号の左に◎印をつけた部品と交換して下さい。○印の部品は、付け加えて使用して下さい。

本パーツ・リストの26～27頁には、部品番号索引を付し、部品番号のみでその図解、名称等が容易に引出せます。

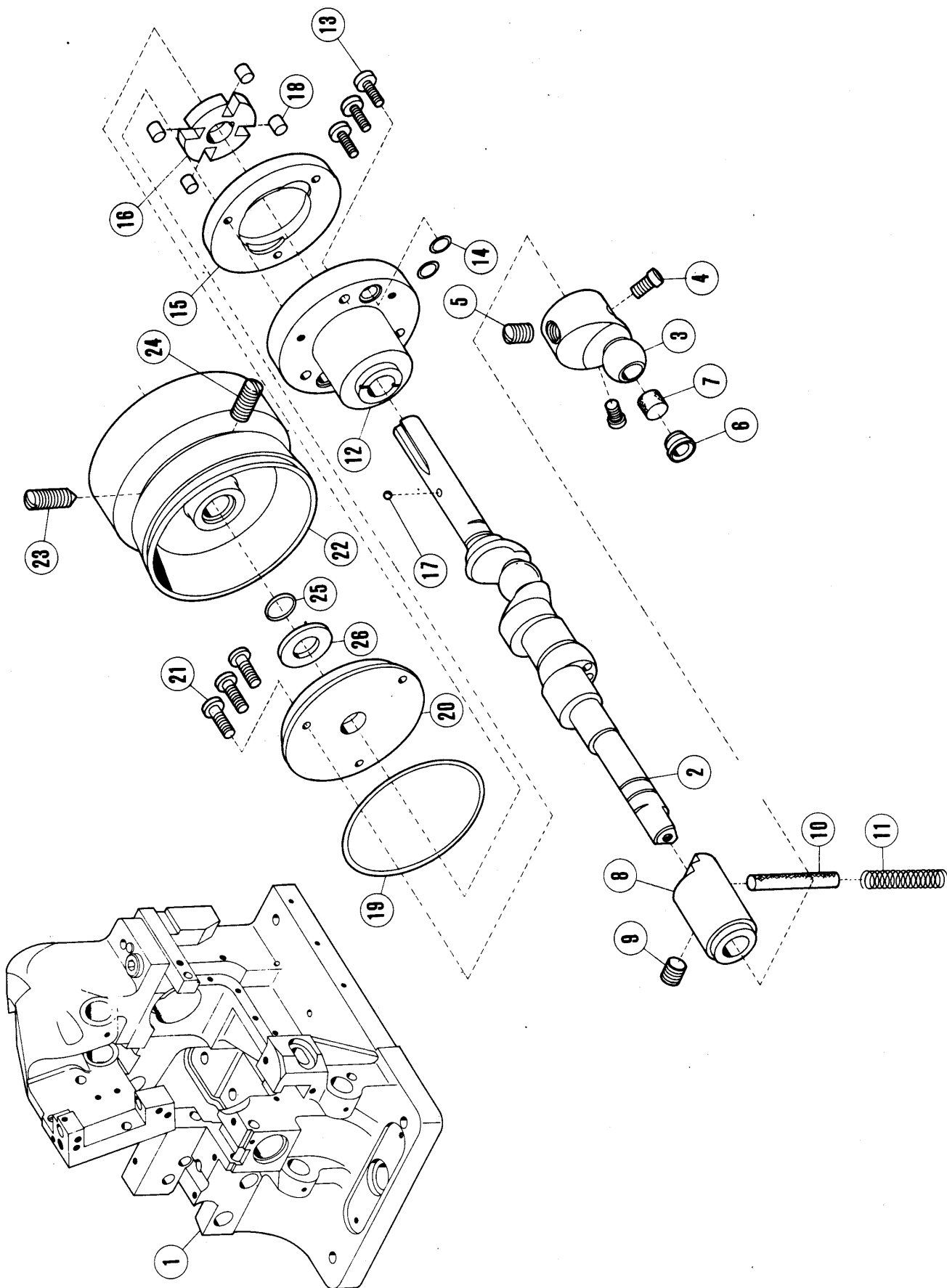
本パーツ・リストに基き、部品ご注文の場合は、参照番号は絶対使用せず部品番号のみを明示して下さい。

本パーツ・リストは、1974年11月現在製造中のミシンを基に作成しています。

本パーツ・リストに記載された部品番号、部品形状等は、設計変更により変る場合があります。

CONTENTS

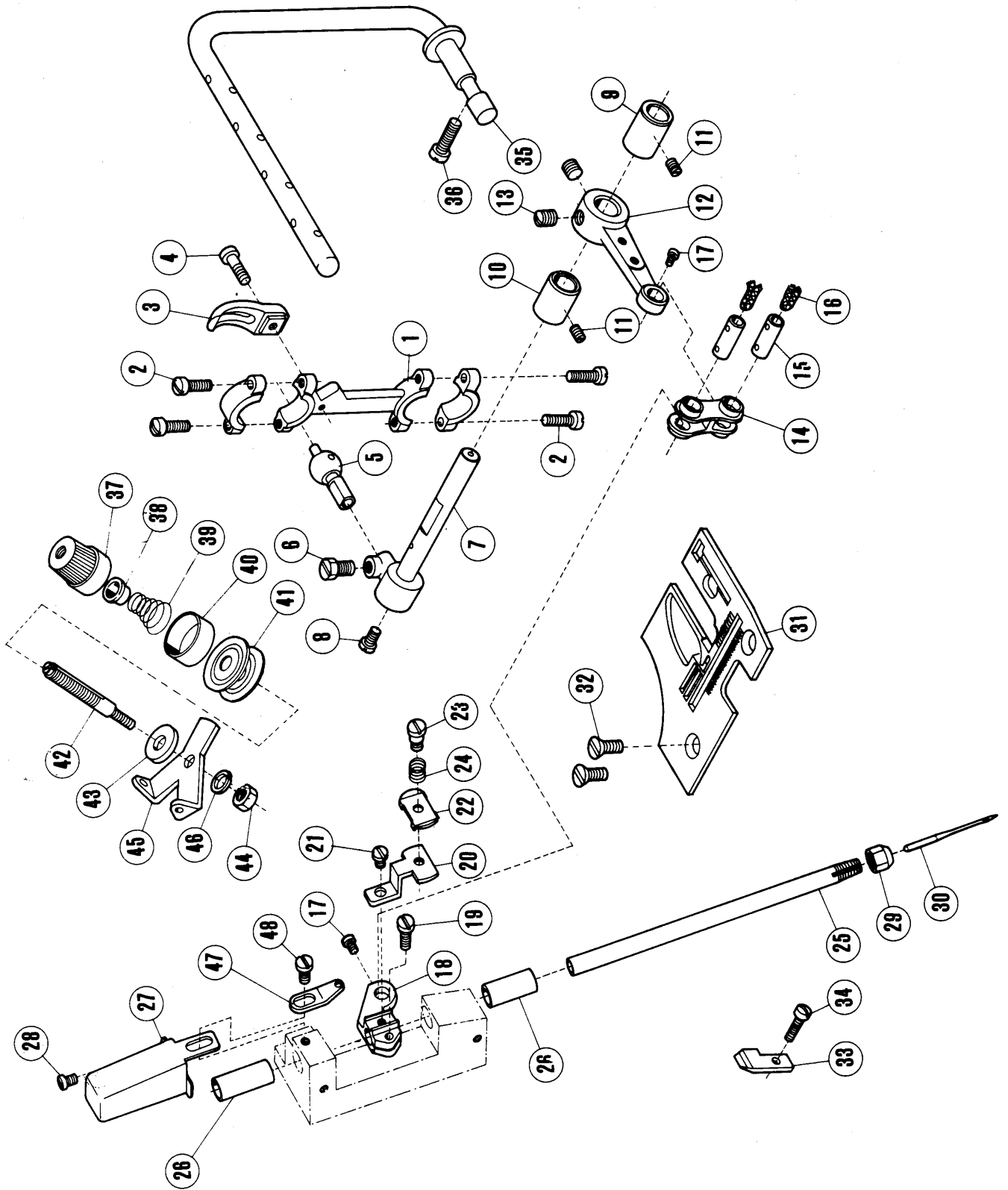
	目次	PAGE 頁
MACHINE FRAME, CRANKSHAFT & OIL PUMPING MECHANISM	アーム・ベッド・主軸・ポンプ機構	2 ~ 3
NEEDLE DRIVE MECHANISM	針棒機構	4 ~ 5
LOOPER DRIVE MECHANISM	大・小ルーパー機構	6 ~ 7
FEED MECHANISM	送り機構	8 ~ 9
UPPER & LOWER KNIFE MECHANISM	上・下メス機構	10 ~ 11
PRESSER FOOT & LIFTING MECHANISM	押エ機構	12 ~ 13
LUBRICATING MECHANISM	給油機構	14 ~ 15
CLOTH PLATE & MISCELLANEOUS COVERS (1)	カバー・外装関係(1)	16 ~ 17
MACHINE FRAME (FRONT) & MISCELLANEOUS COVERS (2)	カバー・外装関係(2)	18 ~ 19
PARTS FOR MODEL DCP-101W, 103 & 105 ONLY	DCP-101W, 103, 105 型専用部品	20 ~ 21
PARTS FOR MODEL DCP-106, 109 & 109W ONLY	DCP-106, 109, 109W 型専用部品	22 ~ 23
ACCESSORIES	付属品	24 ~ 25
INDEX	索引	26 ~ 27



MACHINE FRAME, CRANKSHAFT & OIL PUMPING MECHANISM

アームベッド・主軸・ポンプ機構

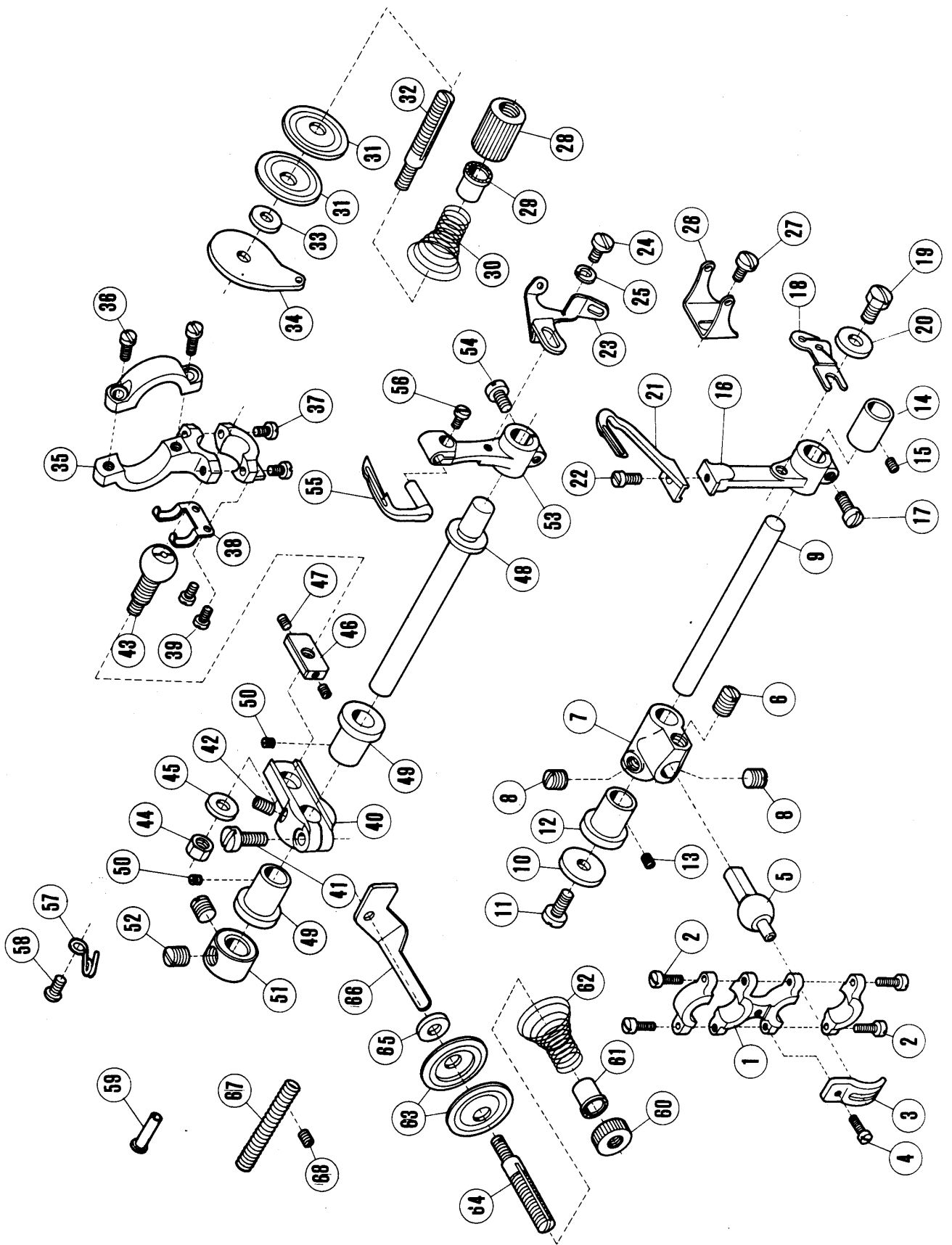
Ref. No. 参照番号	Parts No. 部品番号	Name	名称	Qt. 数量	Remarks 備考
1	200510	Arm-bed, complete with	アームベッド(組)	1	
	200003 A	Arm	アーム	1	
	200511	Bed	ベッド	1	
	1936 A	Arm-bed screw	アーム締付ネジ	2	
	137950	" taper pin	アームベッドテーパーパービン	2	
2	200317A	Crankshaft, complete with	クランクシャフト(組)	1	DCP-101W, 105 109 & 109W only用
	200605	" oil ring	" 油受リング	1	
3	200222	" crank	エキセンクランク	1	
4	5026	" " position screw	" 調節ネジ	2	
5	2022-3	" " screw	" 止ネジ	1	
6	200607	" " oil cap	" 油栓	1	
7	200389	" " " wick	" 用フェルト	1	
8	200221	" bushing	小ブッシュ	1	
9	2022-3	" " screw	" 止ネジ	1	
10	200219	" " oil wick	" 吸油口用フェルト	1	
11	200220	" " " " spring	" " 押エバネ	1	
12	200291	" flanged bushing	大ブッシュ(組)	1	
13	1175-3	" " " screw	" 止ネジ	3	
14	200020	Oil pumping 'O' ring	ポンプ吸吐口用"O"リング	2	
15	200018 A	Stator	ステーター	1	
16	200015	Rotor	ローター	1	
17	200016	" key ball (1/8")	" 廻り止メボール(1/8"鋼球)	1	
18	200017	" roller	羽根ローラー	4	
19	200021	" cover plate 'O' ring	ポンプ外周用"O"リング	1	
20	200292	" " plate	" 蓋	1	
21	5010	" " " screw	" " 止ネジ	3	
22	200202B	Pulley	Vベルト用プーリー	1	
23	5052	" position screw	" 止ネジ(先有)	1	
24	5051	" screw	" " (先無)	1	
25	200030	" 'O' ring	プーリー用"O"リング小	1	
26	200024	" thrust washer	" スラストワッシャ	1	



NEEDLE DRIVE MECHANISM

針 棒 機 構

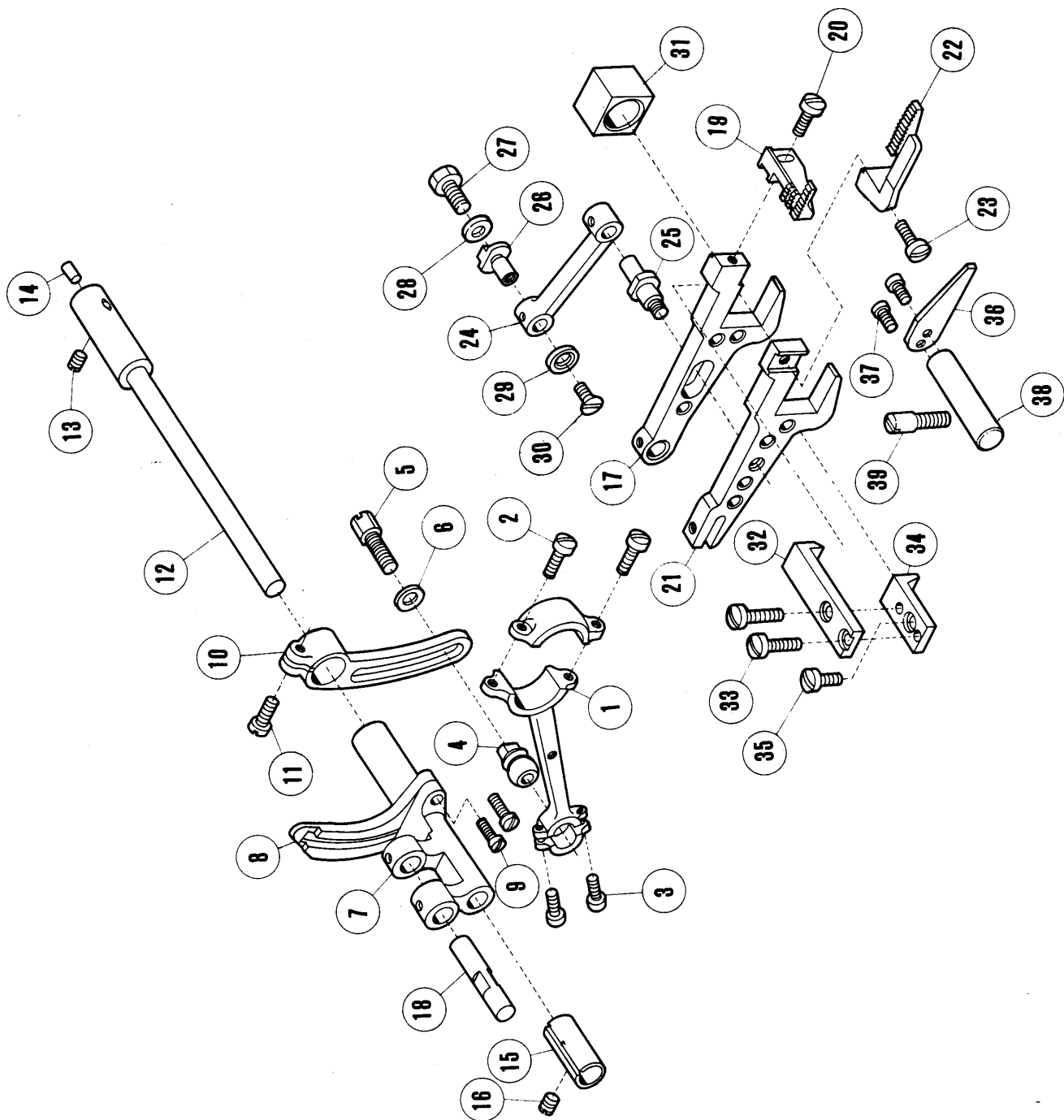
Ref. No. 参照番号	Parts No. 部品番号	Name	名 称	Qt. 数量	Remarks 備 考
	200034	Needle bar drive connection, complete with 200033 & 2213-1x4	大ロッド(組)200033, 2213-1x4ノ組	1	
1	200033	" " " connection	大ロッド	1	
2	2213-1	" " " " cap screw	〃 蓋止ネジ	4	
3	137130	" " " " guide	〃 振り止メ	1	
4	5010	" " " " screw	〃 〃 止ネジ	1	
5	200265	" " " " ball stud	針棒後クランク球	1	
6	2022-4	" " " " " " screw	〃 〃 止ネジ	1	
7	200534	" " " arm pivot shaft	〃 クランク軸	1	
8	1234	" " " " " " oil cap screw	〃 〃 蓋ネジ	1	
9	200037	" " " " " " bushing (front)	〃 〃 ブッシュ(前)	1	
10	200038	" " " " " " " " (rear)	〃 〃 〃 (後)	1	
11	1457	" " " " " " " " screw	〃 〃 〃 止ネジ	2	
12	200652	" " " arm (front)	〃 前クランク	1	
13	2022	" " " " " " screw	〃 〃 止ネジ	2	
14	200653	" " " link	〃 リンク	1	
15	200654	" " " " " pin	〃 〃 ピン	2	
16	202177	" " " " " oil wick	〃 〃 〃 油紐	2	
17	1222	" " " " " screw	〃 〃 〃 止ネジ	2	
18	200655	" " clamp	〃 抱キ	1	
19	1170-3	" " " " " screw	〃 〃 止ネジ	1	
20	200040	Secondary needle thread tension plate	小調子台	1	DCP-101, 101W, 105, 106, 109 & 109W only用
21	1186	" " " " " " screw	〃 止ネジ	1	
22	200041	" " " " " disc	小調子皿	1	
23	9070-2	" " " " " " post	〃 止ネジ	1	
24	200205	" " " " " " spring	小調子バネ	1	
25	137122	Needle bar	針棒	1	DCP-101, 101W, 103, & 106 only用
26	137123	" " bushing	〃 ブッシュ	2	
27	200696	" " cap cover	〃 キャップ	1	
28	1186	" " " " " screw	〃 〃 止ネジ	1	
29	3119	" clamp nut	針止ナット	1	DCP-101, 101W, 103, & 106 only用
30	D C x1	Needle, size No.9 (for domestics) or No.11 (for exports)	針 #9 (国内用) 〃 #11 (貿易用)	1	
31	200044A	" plate	針板	1	
32	1732	" " screw	〃 止ネジ	2	DCP-101 only用
33	137564	" guard	針受	1	
34	1170-1	" " " " " screw	〃 止ネジ	1	
35	200203	Thread guide	上糸道棒	1	
36	2133-1	" " " " " screw	〃 止ネジ	1	
	200050	Primary needle thread tension, complete with 201035A, 202278, 201037, 201039, 101111x2 & 1817-2A	針糸調子(組) 201035A, 202278, 201037, 201039, 101111x2, 1817-2Aノ組	1	
37	201035A	" " " " " nut	〃 ナット	1	
38	202278	" " " " " spring bushing	〃 〃 止パイプ	1	
39	201037	" " " " " spring (heavy)	〃 バネ(強)	1	
40	201039	" " " " " cap	〃 受皿	1	
41	101111	" " " " " disc	〃 皿	2	
42	1817-2A	" " " " " post	〃 棒	1	
43	137142	" " " " " washer	〃 〃 座金	1	
44	3044	" " " " " " nut	〃 〃 ナット	1	
45	200204	" " " " " plate	〃 台	1	DCP-101, 101W, 103, & 106 only用
46	202286	" " " " " " washer	〃 〃 バネ座金	1	
47	200045	Needle thread guide	上糸道	1	
48	1175-2	" " " " " screw	〃 止ネジ	1	



LOOPER DRIVE MECHANISM

大・小ルーバー機構

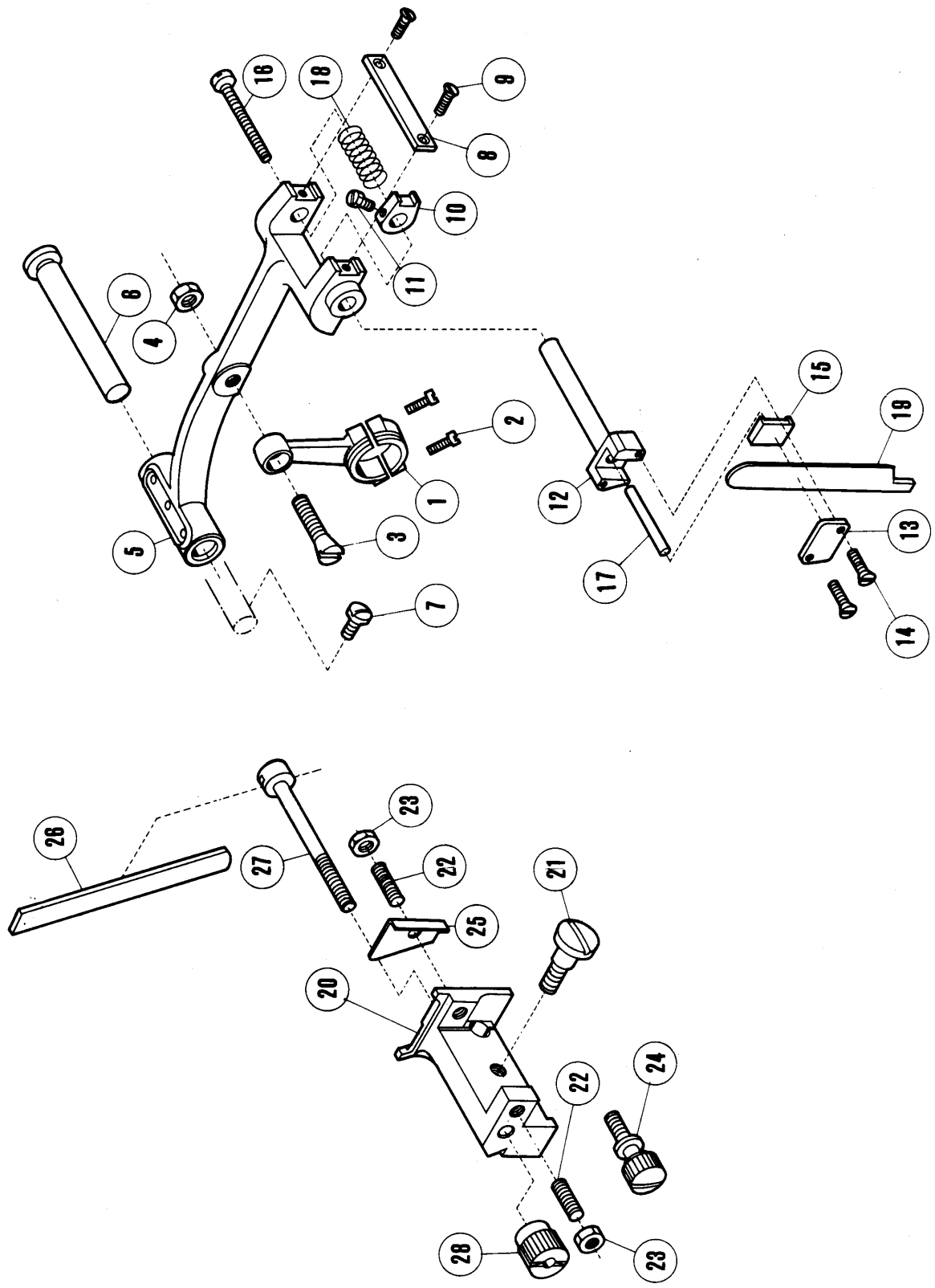
Ref. No. 参照番号	Parts No. 部品番号	Name	名称	Qt. 数量	Remarks 備考
	200617	Right looper drive connection, complete with 200618 & 2213-1x4	小ロッド(組)200618, 2213-1x4ノ組	1	
1	200618	" " " " connection	小ロッド	1	
2	2213-1	" " " " cap screw	〃 蓋止ネジ	4	
3	137130	" " " " guide	〃 振り止メ	1	
4	5010	" " " " screw	〃 〃 止ネジ	1	
5	137121	" " " " ball stud	〃 球	1	
6	2022-3	" " " " screw	〃 〃 止ネジ	1	
7	200053	" " lever crank	大ルーバークランク	1	
8	2022	" " " " screw	〃 〃 止ネジ	2	
9	200054	" " " " shaft	大ルーバー台軸	1	
10	200055	" " " " thrust washer	〃 スラストワッシャー	1	
11	5064	" " " " screw	〃 〃 止ネジ	1	
12	200057	" " " " flanged bushing	〃 ブッシュ(ツバ付)	1	
13	1457	" " " " screw	〃 〃 止ネジ	1	
14	200058	" " " " bushing	〃 〃 (ツバ無)	1	
15	1457	" " " " screw	〃 〃 止ネジ	1	
16	200059	" " lever	大ルーバー台	1	
17	2213-1	" " " " screw	〃 締付ネジ	1	
18	200062	Left looper thread take-up	〃 糸道	1	
19	2193	" " " " screw	〃 〃 止ネジ	1	
20	137142	" " " " washer	〃 〃 〃 座金	1	
21	137301	Right looper	大ルーバー	1	DCP-101,101W & 106 only用
22	1196	" " screw	〃 止ネジ	1	
23	200063	" " thread take-up	〃 糸サバキ	1	
24	1202	" " " " screw	〃 〃 止ネジ	1	
25	201252	" " " " spring washer	〃 〃 〃 バネ座金	1	
26	200226	" " " " guide	前糸道	1	
27	1202	" " " " screw	〃 止ネジ	1	
	200064	" " " " tension, complete with 200065, 101113前糸調子(組)200065, 101113, 137114, 101111x2, 137114, 101111x2 & 1817-2A 1817-2Aノ組	前糸調子(組)200065, 101113, 137114, 101111x2, 1817-2Aノ組	1	
28	200065	" " " " nut	〃 ナット	1	
29	101113	" " " " spring bushing	〃 〃 止パイプ	1	
30	137114	" " " " spring (light)	〃 バネ(弱)	1	
31	101111	" " " " disc	〃 皿	2	
32	1817-2A	" " " " post	〃 棒	1	
33	137142	" " " " washer	〃 〃 座金	1	
34	137106	" " " " plate	〃 台	1	
	200513	Left looper drive connection, complete with 200501, 5002x2 & 5029x2	小ルーバー振りロッド(組)200501, 5002x2 5029x2ノ組	1	
35	200501	" " " " connection	小ルーバー振りロッド	1	
36	5002	" " " " screw (large)	〃 蓋止ネジ(大)	2	
37	5029	" " " " (small)	〃 〃 (小)	2	
38	200070	" " " " guide	〃 振り止メ	1	
39	5012	" " " " screw	〃 〃 止ネジ	2	
40	200373	" " lever crank	小ルーバークランク	1	
41	1156	" " " " clamp screw	〃 抱締ネジ	1	
42	1458	" " " " screw	〃 〃 止ネジ	1	
43	200293A	" " " " ball stud	〃 球	1	
44	5137	" " " " nut	〃 ナット	1	
45	137142	" " " " washer	〃 〃 座金	1	
46	200294	" " drive connection guide collar	小ルーバー振りロッド振り止メカラー	1	
47	1892	" " " " screw	〃 〃 〃 止ネジ	2	
48	200073	" " lever shaft	小ルーバー台軸	1	
49	200057	" " " " bushing	〃 ブッシュ	2	
50	1457	" " " " screw	〃 〃 止ネジ	2	
51	200074	" " thrust collar	〃 スラストカラー	1	
52	2022	" " " " screw	〃 〃 止ネジ	2	
53	200225	" " lever	小ルーバー台	1	
54	5002	" " " " screw	〃 抱締ネジ	1	
55	137302	" looper	小ルーバー	1	
56	5053	" " screw	〃 止ネジ	1	
57	193174	" " thread eyelet	後カバー糸道	1	
58	1326	" " " " screw	〃 止ネジ	1	
59	200077	" " " " guide	大カバー裏糸道パイプ	1	
	200078	" " " " tension, complete with 3056, 101113, 137115, 101111x2 & 1817-2A 1817-2Aノ組	裏糸調子(組)3056, 101113, 137115, 101111x2, 1817-2Aノ組	1	
60	3056	" " " " nut	〃 ナット	1	
61	101113	" " " " spring bushing	〃 〃 止パイプ	1	
62	137115	" " " " spring (medium)	〃 バネ(中)	1	
63	101111	" " " " disc	〃 皿	2	
64	1817-2A	" " " " post	〃 棒	1	
65	137142	" " " " washer	〃 〃 座金	1	
66	137016	" " " " plate	〃 台	1	
67	137103	" " thread tube	糸道パイプ	1	
68	1457-1	" " " " screw	〃 止ネジ	1	



FEED MECHANISM

送 り 機 構

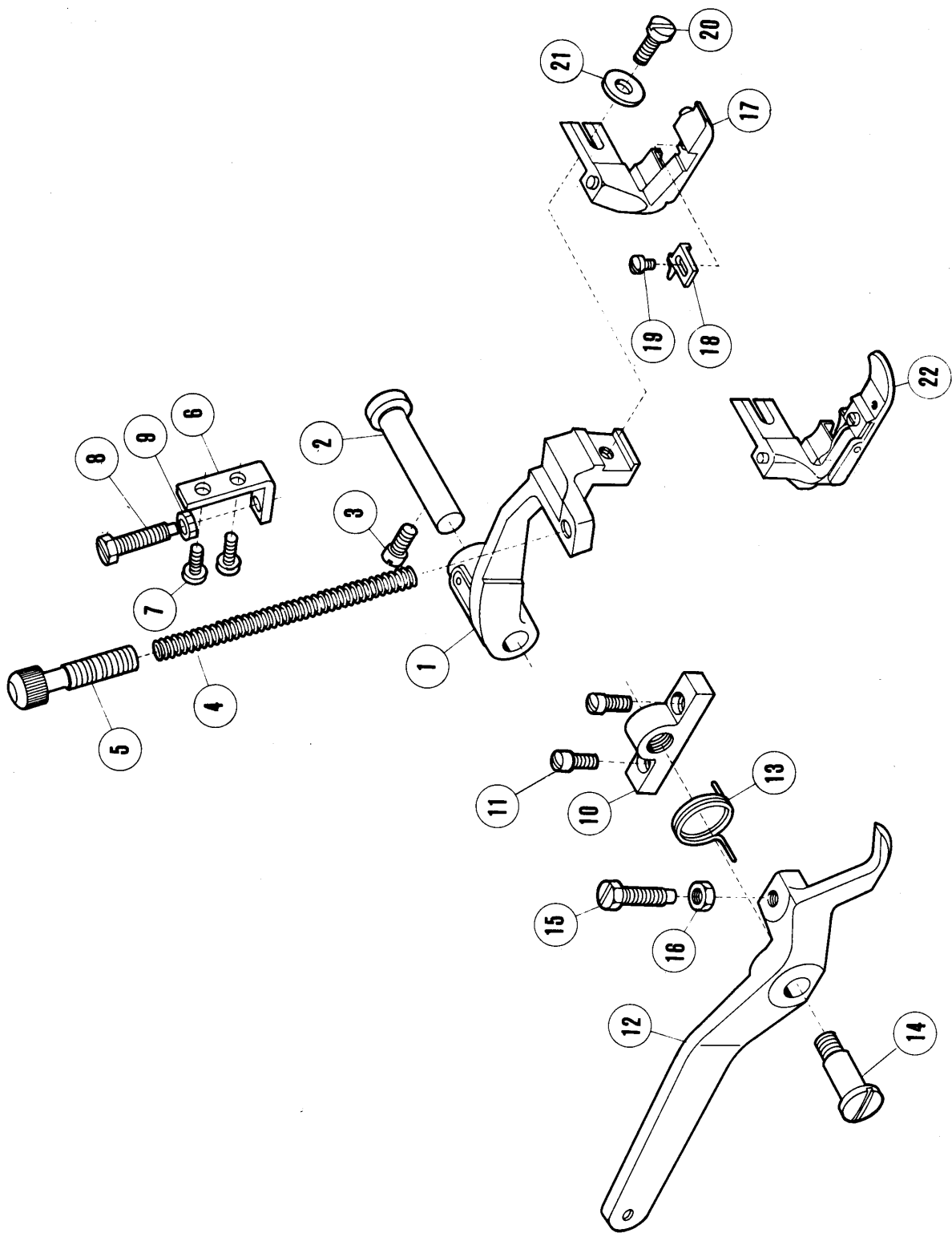
Ref. No. 参照番号	Parts No. 部品番号	Name	名 称	Qt. 数量	Remarks 備 考
	200514	Feed bar drive connection, complete with 200503, 5002x2 & 5003x2	送り前後ロッド(組)200503, 5002x2 5003x2ノ組	1	
1	200503	" " " connection	送り前後ロッド	1	
2	5002	" " " " cap screw (large)	〃 蓋止ネジ大	2	
3	5003	" " " " " " (small)	〃 〃 小	2	
4	137419	" " " " ball stud	〃 球	1	
5	5001	" " " " " " screw	〃 〃 止ネジ	1	
6	137142	" " " " " " washer	〃 〃 〃 座金	1	
	200310A	" rockér, complete with 200308, 200309 & 1170-3x2	送りロックシャフト(組)200308, 200309 1170-3x2ノ組	1	
7	200308	" rockér	送りロックシャフト	1	
8	200309	Differential feed regulator	差動送り調節器	1	
9	1170-3	" " " " screw	〃 止ネジ	2	
10	200322	Feed drive segment	送り調節器	1	
11	1156	" " " " set serew	〃 抱締ネジ	1	
12	200089	" rockér pivot shaft	送りロックシャフトピン	1	
13	2022-3	" " " " " screw	〃 〃 止ネジ	1	
14	202903	" " " " " oil wick	〃 〃 油栓	1	
15	137409	" " " " " split bushing	割ブッシュ	1	
16	2022	" " " " " " " screw	〃 止ネジ	1	
17	200311	Feed bar	送り台	1	
18	200315A	" " hinge pin	〃 ピン	1	
19	200229A	" dog	送り歯	1	DCP-101, 105,
20	1175-2	" " screw	〃 止ネジ	1	& 109 only用
21	200312	Differential feed bar	差動送り台	1	
22	200318A	" " dog	差動送り歯	1	DCP-101, 105,
23	1175-2	" " " " screw	〃 止ネジ	1	& 109 only用
24	200314	" " drive adjusting connection	差動調節桿	1	
25	200316	" " " " " " screw stud	〃 ピン	1	
26	200097	" " " " " stud	差動調節器	1	
27	2308	" " " " " " screw	〃 止ネジ	1	
28	200098	" " " " " " " washer	送り調節器止ネジ座金	1	
29	200099	" " " " " " thrust washer	〃 スラストワッシャー	1	
30	3001	" " " " " " " " screw	〃 〃 止ネジ	1	
31	200502	Feed lift block	送り上下角玉	1	
32	200081	" bar guide (upper)	送り台案内金(上)	1	
33	1174	" " " " " screw	〃 〃 止ネジ	2	
34	200082	" " " " (middle)	〃 (中)	1	
35	5136	" " " " " screw	〃 〃 止ネジ	1	
	200085	" " " " (lower), complete with 200083, 1170-3x2 & 200084	〃 (下)(組)200083, 1170-3x2 200084ノ組	1	
36	200083	" " " " (lower)	送り台案内金(下)	1	
37	1170-3	" " " " " screw	〃 〃 止ネジ	2	
38	200084	" " " " " bracket	〃 〃 土台	1	
39	1419	" " " " " " screw	〃 〃 〃 止ネジ	1	



UPPER & LOWER KNIFE MECHANISM

上・下メス機構

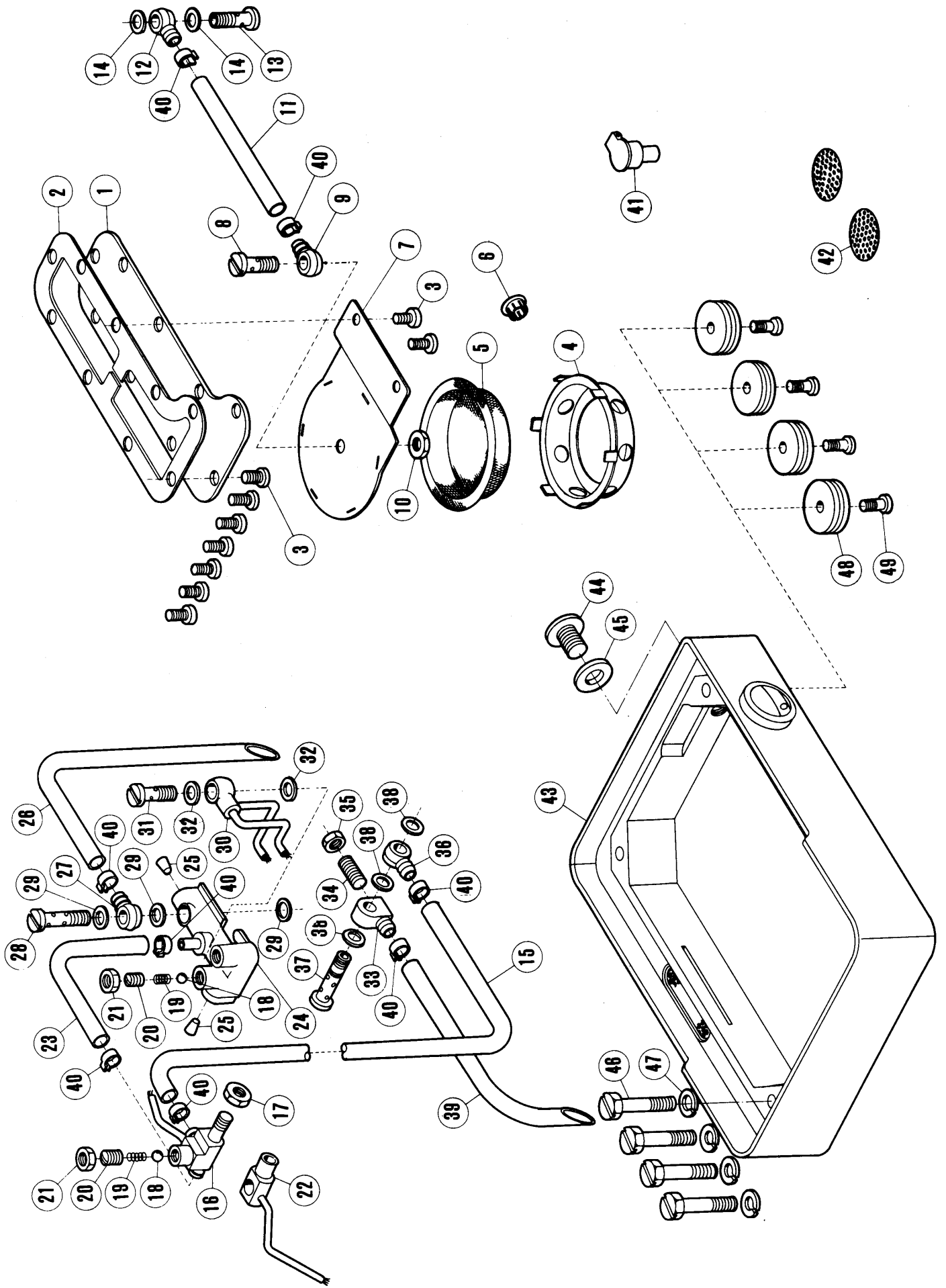
Ref. No. 参照番号	Parts No. 部品番号	Name	名称	Qt. 数量	Remarks 備考
	200103	Upper knife drive connection, complete with 200102 & 1174x2	上メスロッド(組)200102, 1174x2ノ組	1	
1	200102	" " " connection	上メスロッド	1	
2	1174	" " " " cap screw	〃 蓋止ネジ	2	
3	167005	" " " " stud	〃 テーパーネジ	1	
4	3018	" " " " " nut	〃 〃 ナット	1	
5	200105A	" " lever, complete with 137553 & 5259x2	上メス台 (組)137553, 5259x2トノ組	1	
6	137552	" " " shaft	〃 ビン	1	
7	2133-1	" " " " screw	〃 〃 止ネジ	1	
8	137553	" " guide bar	上メス案内板	1	
9	5259	" " " " screw	〃 〃 止ネジ	2	
10	137554	" " guide	〃 案内	1	
11	5027	" " " screw	〃 〃 止ネジ	1	
	200106	" " carrier, complete with 138555A, 138555-1 & 1399x2	〃 抱キ(組)138555A, 138555-1 1399x2ノ組	1	
12	138555 A	" " carrier	〃 抱キ	1	
13	138555-1	" " " cap plate	〃 〃 蓋	1	
14	5224	" " " " " screw	〃 〃 〃 止ネジ	2	
15	138556	" " clamp	〃 押シ	1	
16	1132	" " " screw	〃 〃 ネジ	1	
17	137560	" " " pin	〃 〃 ビン	1	
18	137558	" " " spring	〃 〃 バネ	1	
19	138559	" knife	上メス	1	
20	137561	Lower knife carrier	下メス台	1	DCP-101, 105, 106, & 109 only用
21	5065	" " " screw	〃 止ネジ	1	
22	1435	" " " stop screw	〃 左・右ストップネジ	2	
23	3044	" " " " " nut	〃 〃 〃 ナット	2	
24	5070	" " " adjusting screw	〃 調節ネジ	1	
25	137561-1	Needle plate support	〃 カバー	1	
26	137562	Lower knife	下メス	1	
27	137563	" " clamp	〃 止ピン	1	
28	5069	" " " nut	〃 〃 ナット	1	



PRESSER FOOT & LIFTING MECHANISM

押 工 機 構

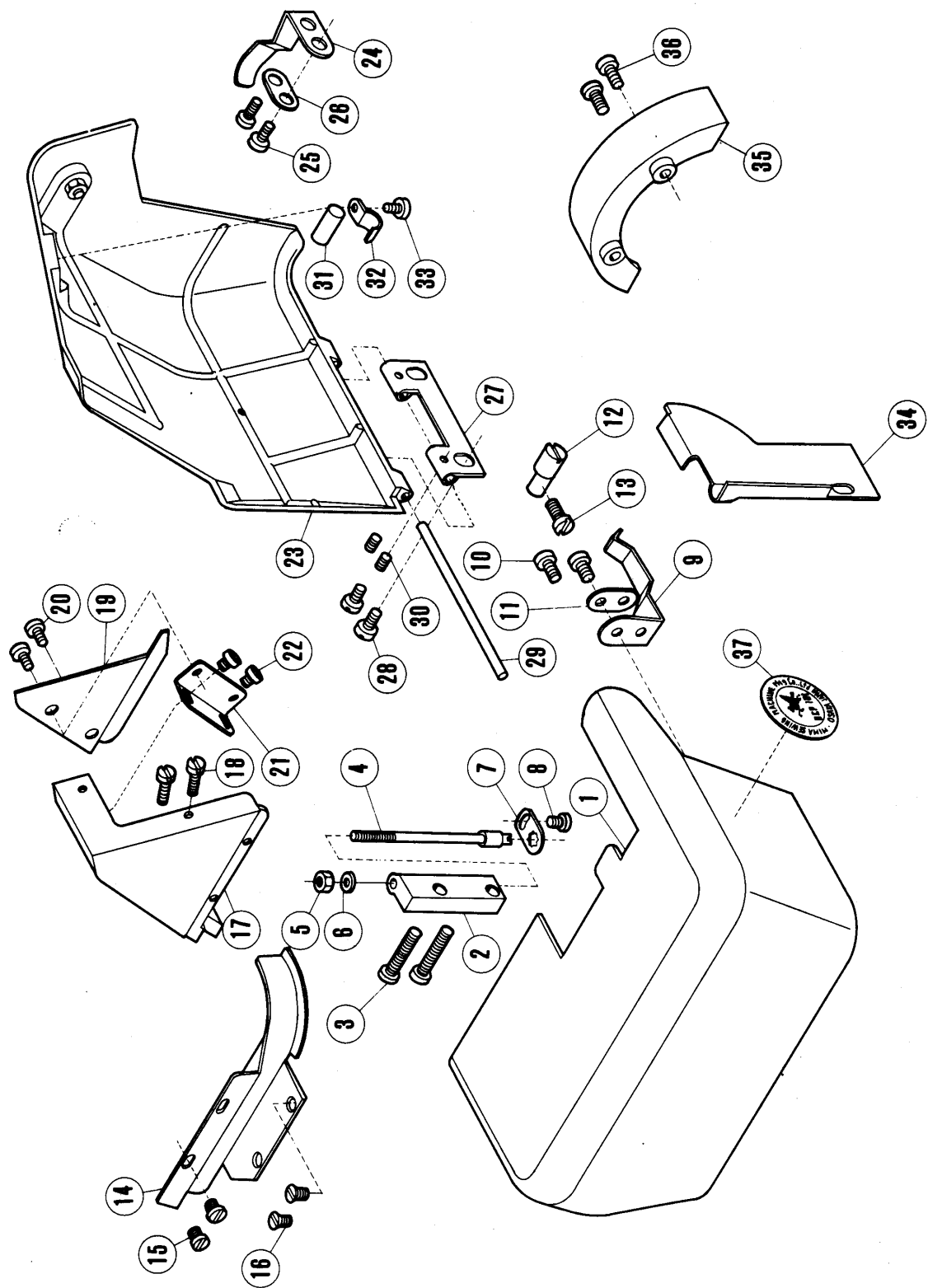
<u>Ref. No.</u> 参照番号	<u>Parts No.</u> 部品番号	<u>Name</u>	<u>名 称</u>	<u>Qt.</u> 数量	<u>Remarks</u> 備 考
1	200109	Presser foot carrier	押工台	1	
2	200319	" " " pivot stud	ク ビン	1	
3	2213	" " " " " screw	ク ク 止ネジ	1	
4	200110	" " pressure spring	ク バネ	1	
5	2371	" " " adjusting thumb screw	ク ク 調節ネジ	1	
6	200111	" " lift adjusting bracket	ク 揚程調節	1	
7	1175-3	" " " " " screw	ク ク 止ネジ	2	
8	5017	" " " " " screw	ク ク ネジ	1	
9	3044	" " " " " nut	ク ク ク ナット	1	
10	137145A	" " lifting lever bracket	押工足揚台	1	
11	2213	" " " " " screw	ク ク 止ネジ	2	
12	200117	" " " lever	ク 足揚	1	
13	137147	" " " " " spring	ク ク バネ	1	
14	2285	" " " " " pivot stud	ク ク 取付ネジ	1	
15	5017	" " " " " stop screw	ク ク 調節ネジ	1	
16	3044	" " " " " nut	ク ク ク ナット	1	
17	200268	" foot (solid), complete with 200266, 137163 & 1231	固定押工(組)200266, 137163 1231ノ組	1	
	200267	" " body	大押工	1	
	200116	" " plate	小押工	1	
	137166	" " " hinge pin	ク ノックピン	1	
	137164	" " " spring	ク バネ	1	
	137165	" " " " " adjusting pin	ク ク ビン	1	
	1459	" " " " " " screw	ク ク ク 止ネジ	1	
18	137163	" " chaining-off finger	押工爪	1	
19	1231	" " " " " screw	ク 止ネジ	1	
20	2902	" " screw	押工止ネジ	1	
21	137142	" " " washer	ク 座金	1	
22	200113	" foot (hinged), complete with 200112, 137163, & 1231	自由押工(組)200112, 137163 1231ノ組	1	



LUBRICATING MECHANISM

給油機構

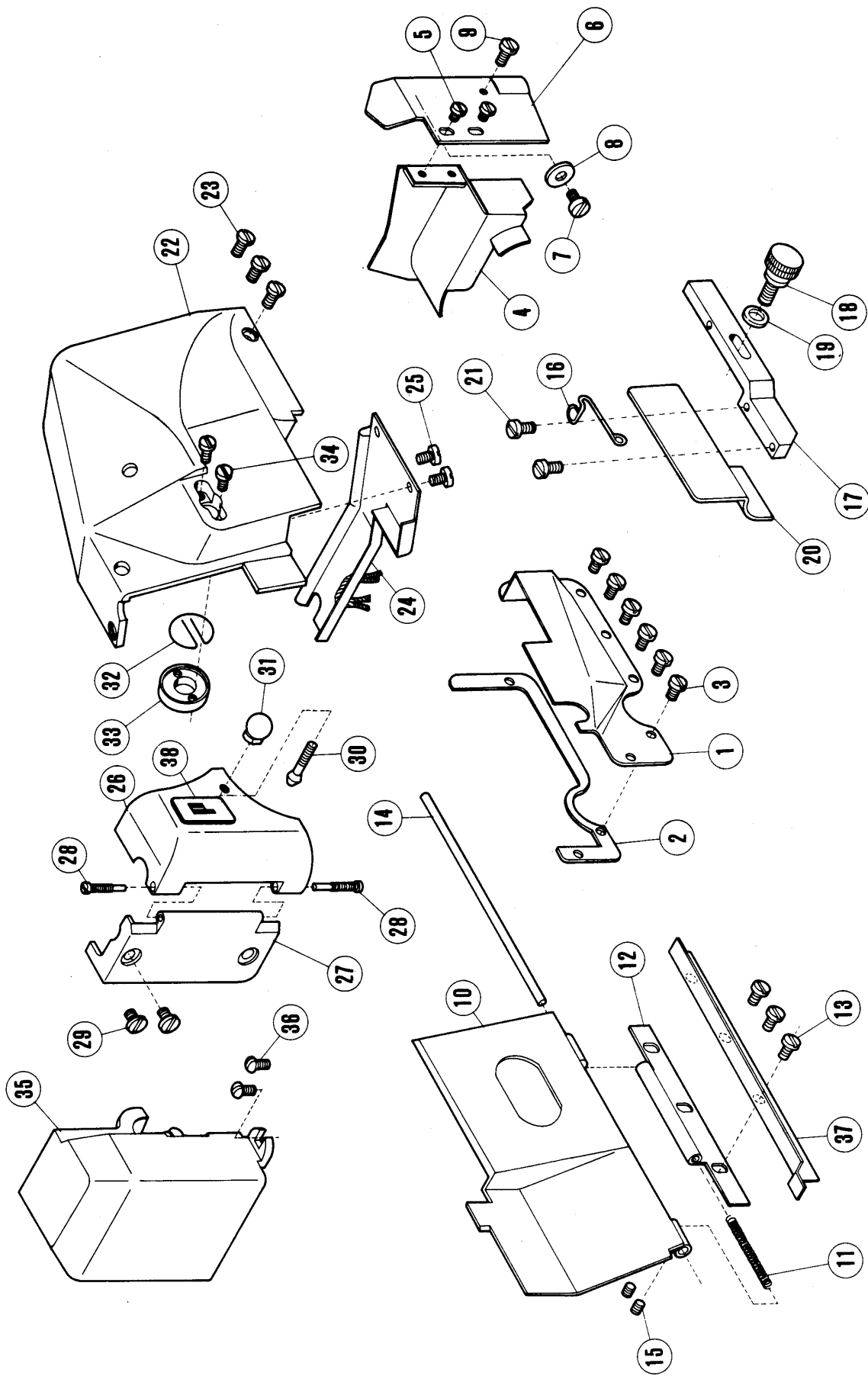
Ref. No. 参照番号	Parts No. 部品番号	Name	名称	Qt. 数量	Remarks 備考
1	200505	Machine bottom cover	底板		1
2	200506	" " " gasket	〃 パッキン		1
3	2902	" " " screw	〃 止ネジ		9
	200497	Oil screen filter frame, complete with	油濾枠(組)	200498, 200499, 200500, 200131	1
		200500, 200131, 200136, 200132 & 5020	200136, 5020, 200132ノ組		
4	200498	" " " frame	〃		1
5	200499	" " filter	〃 網		1
6	200132	" " " eyelet	〃 〃 用ハトメ		1
7	200500	" " " plate	〃 〃 止金板		1
8	200131	" distributing tube joint screw	油濾吸油口パイプ継手雄		1
9	200136	" " " joint	〃 〃 雌		1
10	5020	" " " " screw nut	〃 〃 締ナット		1
11	200698	" " tube	吸油口用ビニールパイプ		1
12	200262	" " joint	〃 〃 継手雌		1
13	200137	" " " " screw	〃 〃 雄		1
14	200138	" " " " " washer	〃 〃 〃 ワッシャー		2
15	200139A	" " tube	上軸給油調節器給油用ビニールパイプ		1
16	200520	" " regulator, complete	〃 (組)		1
17	5020	" " " clamp nut	〃 〃 ナット		1
18	200144	" " " & oil distributor ball	〃 及ビ油配分器ボール		2
19	200145	" " " " " " spring	〃 〃 バネ		2
20	2022-3	" " " " " " " screw	〃 〃 調節ネジ		2
21	5020	" " " " " " " nut	〃 〃 〃 締ナット		2
22	200515	Needle bar drive arm pivot shaft oil reservoir	上軸給油用油受(組)		1
23	200140	Oil distributing tube	油配分器用ビニールパイプ		1
24	200522	" distributor	油配分器		1
25	202903	" " cork	〃 油栓		2
26	200139A	" distributing tube	〃 排油用ビニールパイプ		1
27	200136	" " " joint	〃 〃 継手上雌		1
28	200141	" " " " screw	〃 〃 継手雄		1
29	200138	" " " " " washer	〃 〃 〃 ワッシャー		3
30	200530	" tube assembly	銅パイプホルダー(組)		1
31	200152	" " " screw	〃 〃 止ネジ		1
32	200138	" " " " washer	〃 〃 〃 ワッシャー		2
33	200524	" draining regulator	排油調節器		1
34	5051	" " " adjusting screw	〃 調節ネジ		1
35	3018	" " " " " nut	〃 〃 ナット		1
36	200136	" distributing tube joint	〃 継手上雌		1
37	200141	" " " " screw	〃 〃 上雄		1
38	200138	" " " " " washer	〃 〃 〃 ワッシャー		3
39	202030A	" " tube	〃 用ビニールパイプ		1
40	202199	" " " clamp	〃 〃 抱バネ		8
41	200211	" filler cup	オイルカップ		1
42	200133	" strainer	油濾金板丸		2
43	200121	" reservoir (machine base) complete with	オイルパン(組)	200118B, 200119, 200120ノ組	1
	200118B	" reservoir	〃	200119 & 200120	1
	200119	" " oil screen filter	〃 油濾金網		2
	200120	" " " sight gauge	オイルゲージ		1
44	5138B	" drain plug screw	オイルパン排油穴蓋ネジ		1
45	202287A	" " " " washer	〃 〃 座金		1
46	5153	Arm-bed and oil reservoir screw	〃 取付ボルト		4
47	202045	" " " " " washer	〃 〃 座金		4
48	202013	Cushion rubber	クッションゴム		4
49	5134	" " screw	〃 止ネジ		4



CLOTH PLATE & MISCELLANEOUS COVERS

カバー・外装関係(1)

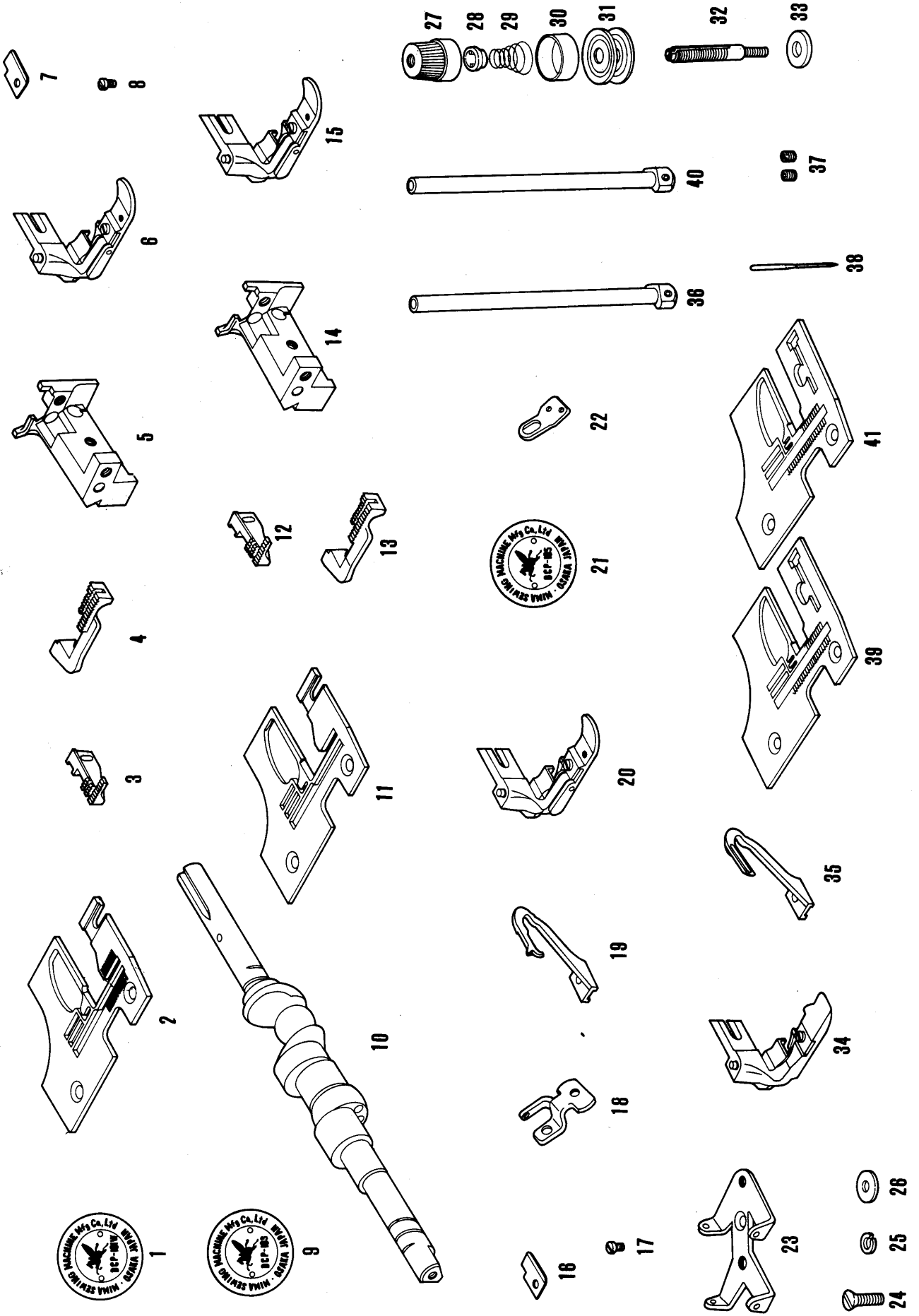
Ref. No. 参照番号	Parts No. 部品番号	Name	名称	Qt. 数量	Remarks 備考
1	200156	Cloth plate, complete with 200157, 200158& 200234	大カバー(組)200157,200158, ,200234ノ組		
	200157	" plate	〃 上		
	200158	" " extension	〃 下	1	
	200234	" " stop pin	〃 ストップピン	1	
2	200159A	" " hinge	〃 ヒンヂ	1	
3	5183	" " " screw	〃 〃 止ネジ	2	
4	201221A	" " " pin	〃 〃 ピン	1	
5	5099	" " " " nut	〃 〃 〃 止ナット	1	
6	200821	" " " " " washer	〃 〃 〃 座金	1	
7	202865	" " " " retainer	〃 〃 〃 廻り止め	1	
8	5136	" " " " " screw	〃 〃 〃 〃 止ネジ	1	
9	200161	" " lock spring	〃 止バネ	1	
10	1202	" " " " screw	〃 〃 止ネジ	2	
11	200162 A	" " " " " washer	〃 〃 〃 座金	1	
12	200163A	" " " " catch	〃 〃 掛金	1	
13	2213	" " " " " screw	〃 〃 〃 止ネジ	1	
14	200233	" " fabric guard	衣除ケ	1	
15	2921	" " " " (upper)	〃 止ネジ(上)	2	
16	5022	" " " " (lower)	〃 〃 (下)	2	
17	200213	Presser foot lifting lever cover	後カバー上	1	
18	1170	" " " " " screw	〃 止ネジ	2	
19	200214	" " " " " oil shield	〃 油除ケ	1	
20	1216	" " " " " " " screw	〃 〃 止ネジ	2	
21	200215	" " " " " clasp	〃 止金	1	
22	1216	" " " " " " " screw	〃 〃 止ネジ	2	
23	200171	Frame cover (rear), complete with 200170,200167& 3044	後カバー下(組)200170,200167,3044	1	
	200170	" " " knob	〃 ツマミ	1	ノ組
	3044	" " " nut	〃 〃 ナット	1	
24	200172	" " " lock spring	〃 止バネ	1	
25	1175-2	" " " " " " screw	〃 〃 止ネジ	2	
26	200162 A	" " " " " " washer	〃 〃 〃 座金	1	
27	200168	" " " hinge	〃 ヒンヂ	1	
28	1216	" " " " " screw	〃 〃 止ネジ	2	
29	200169	" " " " " pin	〃 〃 ピン	1	
30	5025	" " " " " " screw	〃 〃 〃 止ネジ	2	
31	200173	" " " rubber catch	〃 当ゴム	1	
32	200174	" " " " " clamp	〃 〃 止金	1	
33	5064	" " " " " " screw	〃 〃 〃 止ネジ	1	
34	200175	Auxiliary cover	後カバー補助板	1	
35	200176A	Pulley cover	プーリーカバー	1	
36	1174	" " screw	〃 止ネジ	2	
37	200347	Model plate	型式板	1	DCP-101 only用



MACHINE FRAME (FRONT) AND MISCELLANEOUS COVERS

カバ-・外装関係 (2)

Ref. No. 参照番号	Parts No. 部品番号	Name	名称	Qt. 数量	Remarks 備考
1	200177	Machine frame (front) oil shield	中カバー	1	
2	200212	" " " " " " gasket	〃 パッキン	1	
3	1216	" " " " " " screw	〃 止ネジ	6	
4	200241	Upper knife drive connection oil shield	〃 油除ケ	1	
5	2921	" " " " " " " screw	〃 〃 止ネジ	2	
6	200238	Needle bar drive connection oil shield	大ロットカバー	1	DCP-101, 101 W, 103, 105, & 106 only用
7	1175-2	" " " " " " " screw (large)	〃 止ネジ(大)	1	
8	137142	" " " " " " " " " washer	〃 〃 〃 座金	1	
9	1174	" " " " " " " " (small)	〃 〃 (小)	1	
10	200181A	Front cover, complete with 200186 & 200748x2	蝶番カバー(組)200186, 200748x2トノ組	1	
	200186	" " knob	〃 ツマミ	1	
	200748	" " hinge (upper)	〃 ヒンデ(上)	2	
11	200750	" " " spring	〃 〃 バネ	1	
12	200184	" " " (lower)	〃 〃 (下)	1	
13	1216	" " " " " screw	〃 〃 〃 止ネジ	3	
14	200749	" " " pin	〃 〃 ピン	1	
15	5025	" " " " " screw	〃 〃 〃 止ネジ	2	
16	200187A	" " lock spring	〃 バネ	1	
17	200189	" " extension holder	角台	1	
18	1281	" " " " " screw	〃 止ネジ	1	
19	137142	" " " " " " washer	〃 〃 座金	1	
20	200190A	" " extension	切屑除ケ	1	
21	1202	" " " " " screw	〃 止ネジ	2	
22	200306	Frame cover(front)	前カバー(上)	1	
23	5091	" " " " " screw	〃 〃 止ネジ	3	
24	200237	Needle bar drive connection link oil shield	針棒リンク油受	1	
25	1216	" " " " " " " " " screw	〃 止ネジ	2	
26	200307	" " cover	針棒糸道カバー	1	
27	200194	" " " hinge	〃 ヒンデ	1	
28	200195	" " " " " screw stud	〃 〃 ネジピン	2	
29	2905	" " " " " screw	〃 〃 止ネジ	2	
30	200196	" " " catch	〃 掛金	1	
31	200197	" " " " " nut	〃 〃 ナット	1	
32	200198	" " " lock spring	〃 止バネ	1	
33	200199	" " " " " " guide	〃 〃 押金	1	
34	1196	" " " " " " " screw	〃 〃 〃 止ネジ	2	
35	200200	Right looper drive connection cover	小ロットカバー	1	
36	1326	" " " " " " " screw	〃 止ネジ	2	
37	200260	Arm-bed & machine base interstice cover	オイルパン隙間カバー	1	
38	201428	Name plate	銘板	1	



PARTS FOR MODEL DCP-101W ONLY

DCP-101W 専用部品

Ref. No. 参照番号	Parts No. 部品番号	Name	名称	Qt. 数量	Remarks 備考
1	◎ 200352	Model plate	型式板	1	
2	◎ 200245A	Needle plate	針板	1	Also for DCP-103共用
3	◎ 200259A	Feed dog	送り歯	1	Also for DCP-103 & 109W共用
4	◎ 200323A	Differential feed dog	差動送り歯	1	〃 〃 〃 〃
5	◎ 138561	Lower knife carrier	下メス台	1	〃 〃 〃 〃
6	◎ 200286	Presser foot (hinged), complete with 200290, 137163 & 1231	自由押エ(組)200290, 137163, 1231ノ組	1	Also for DCP-103共用
	200290	〃 〃 body	大押エ(組)	1	
	137163	〃 〃 chaining-off finger (for 3-thread machine)	押エ爪(3本糸用)	1	
	1231	〃 〃 〃 〃 screw	〃 止ネジ	1	
7	○ 200271	〃 〃 fabric guard	押エ羽根	1	Also for DCP-103 & 109W共用
8	○ 5030	〃 〃 〃 〃 screw	〃 止ネジ	1	〃 〃 〃 〃

PARTS FOR MODEL DCP-103 ONLY

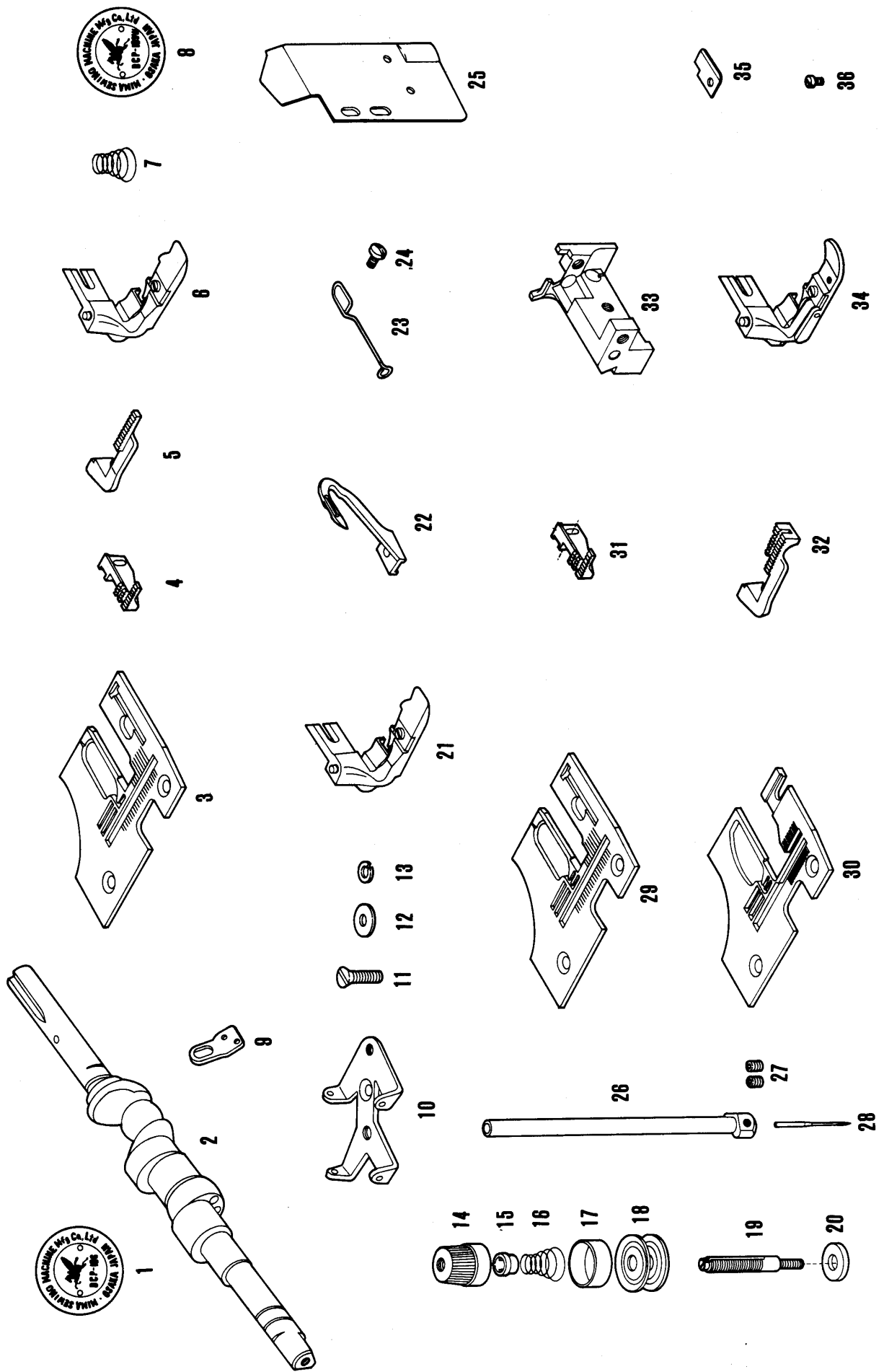
DCP-103 専用部品

9	◎ 200348	Model plate	型式板	1	
10	◎ 200338A	Crankshaft, complete	クランクシャフト(組)	1	
11	◎ 200245A	Needle plate	針板	1	Also for DCP-101W共用
12	◎ 200259A	Feed dog	送り歯	1	Also for DCP-101W & 109W共用
13	◎ 200323A	Differential feed dog	差動送り歯	1	〃 〃 〃 〃
14	◎ 138561	Lower knife carrier	下メス台	1	〃 〃 〃 〃
15	◎ 200286	Presser foot (hinged), complete with 200290, 137163 & 1231	自由押エ(組)200290, 137163, 1231ノ組	1	Also for DCP-101W共用
	200290	〃 〃 body	大押エ(組)	1	
	137163	〃 〃 chaining-off finger (for 3-thread machine)	押エ爪(3本糸用)	1	
	1231	〃 〃 〃 〃 screw	〃 止ネジ	1	
16	○ 200271	〃 〃 fabric guard	押エ羽根	1	Also for DCP-101W & 109W共用
17	○ 5030	〃 〃 〃 〃 screw	〃 止ネジ	1	
18	◎ 200250	Secondary needle thread tension plate	小調子台	1	For 2-thred machine only用
19	◎ 139301	Spreader	大ルーバー	1	〃 〃 〃 〃
20	◎ 200285	Presser foot (hinged), complete with 200290, 138163 & 1231	自由押エ(組)200290, 138163, 1231ノ組	1	〃 〃 〃 〃
	200290	〃 〃 body	大押エ(組)	1	
	138163	〃 〃 chaining-off finger (for 2-thread machine)	押エ爪(2本糸用)	1	
	1231	〃 〃 〃 〃 screw	〃 止ネジ	1	

PARTS FOR MODEL DCP-105 ONLY

DCP-105 専用部品

21	◎ 200349	Model plate	型式板	1	
22	◎ 200255	Needle thread guide	上糸道	1	Also for DCP-109 & 109W共用
23	◎ 200253	Primary needle thread tension plate	針糸調子台	1	〃 〃 〃 〃
24	○ 1732	〃 〃 〃 〃 screw	〃 止ネジ	1	
25	◎ 200055	〃 〃 〃 〃 washer	〃 〃 座金	1	
26	○ 202286	〃 〃 〃 〃 spring washer	〃 〃 バネ座金	1	Also for DCP-109 & 109W共用
	200051	〃 〃 〃 tension, complete with 201035A, 202278, 201037 201039, 101111x2 & 5143	針糸調子(組)201035A, 202278, 201037 201039, 101111x2, 5143ノ組	2	Also for DCP-109 & 109W共用
27	○ 201035A	〃 〃 〃 〃 nut	〃 ナット	2	〃 〃 〃 〃
28	○ 202278	〃 〃 〃 〃 spring bushing	〃 〃 止パイプ	2	〃 〃 〃 〃
29	○ 201037	〃 〃 〃 〃 spring (heavy)	〃 バネ(強)	2	〃 〃 〃 〃
30	○ 201039	〃 〃 〃 〃 cap	〃 〃 受皿	2	〃 〃 〃 〃
31	○ 101111	〃 〃 〃 〃 disc	〃 皿	4	〃 〃 〃 〃
32	○ 5143A	〃 〃 〃 〃 post	〃 棒	2	〃 〃 〃 〃
33	○ 137142	〃 〃 〃 〃 washer	〃 〃 座金	2	〃 〃 〃 〃
34	◎ 200287	Presser foot (solid), complete with 200266, 141163 & 1231	固定押エ(組)200266, 141163, 1231ノ組	1	
	200266	〃 〃 body	大押エ(組)	1	
	141163	〃 〃 chaining-off finger (for 2-needle machine)	押エ爪(2本針用)	1	
	1231	〃 〃 〃 〃 screw	〃 止ネジ	1	
35	◎ 200340	Right looper	大ルーバー	1	
36	◎ 200277	Needle bar (2.0mm needle gauge), complete with 200367 & 200369	針棒(組)針巾2.0mm用 200367, 200369 ノ組	1	Also for DCP-109 & 109W共用
37	○ 5292	〃 clamp screw	針止ネジ	2	
38	○ D C x1	Needle, size No.11	針#11	2	
39	◎ 200252A	〃 plate (2.0mm needle gauge)	針板・(針巾2.0mm用)	1	Also for DCP-109共用
40	◎ 141122	〃 bar (1.7mm needle gauge), complete with 200367 & 200368	針棒(組)針巾1.7mm用 200367, 200368 ノ組	1	
41	◎ 200251A	〃 plate (1.7mm needle gauge)	針板(針巾1.7mm用)	1	



PARTS FOR MODEL DCP-106 ONLY

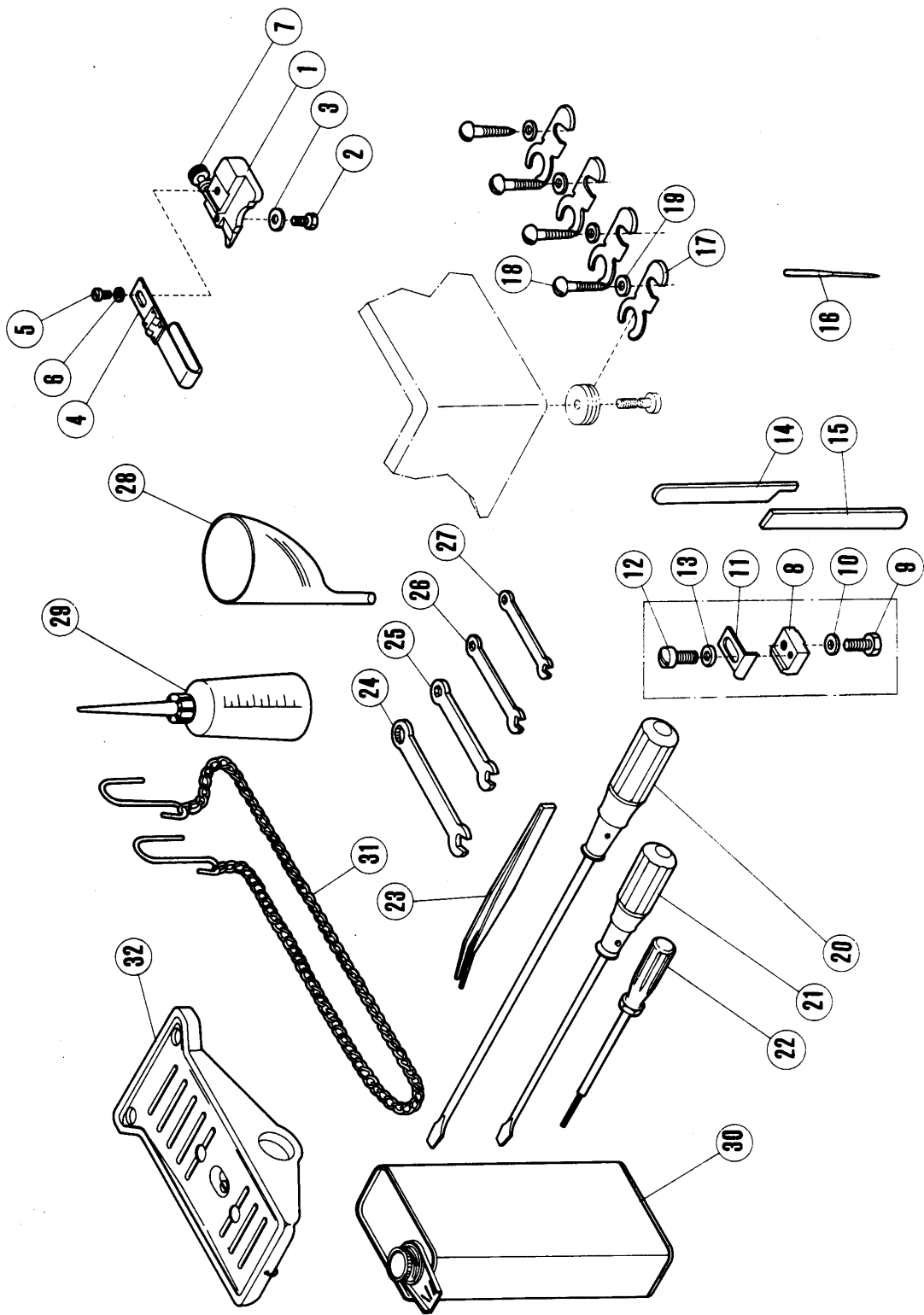
DCP-106 専用部品

Ref. No. 参照番号	Parts No. 部品番号	Name	名称	Qt. 数量	Remarks 備考
1	◎ 200350	Model plate	型式板	1	
2	◎ 200339A	Crankshaft, complete	クランクシャフト(組)	1	
3	◎ 200269A	Needle plate	針板	1	
4	◎ 200259A	Feed dog	送り歯	1	
5	◎ 200325A	Differential feed dog	差動送り歯	1	
6	◎ 200288	Presser foot (solid), complete with 200266, 142163 & 1231	固定押エ(組)200266, 142163, 1231ノ組	1	
	200266	" " body	大押エ(組)	1	
	142163	" " chaining-off finger	押エ爪	1	
	1231	" " " " screw	止ネジ	1	
7	◎ 201086	Primary needle thread tension spring (medium)	針糸調子バネ(中)	1	

PARTS FOR MODEL DCP-109 & 109W ONLY

DCP-109, 109W 専用部品

8	◎ 200351	Model plate	型式板	1	
9	◎ 200255	Needle thread guide	上糸道	1	Also for DCP-105共用
10	◎ 200253	Primary needle thread tension plate	針糸調子台	1	" " "
11	○ 1732	" " " " " screw	止ネジ	1	
12	○ 200055	" " " " " washer	座金	1	
13	○ 202286	" " " " " spring washer	バネ座金	1	
	200051	" " " tension, complete	針糸調子(組)	2	" " "
14	○ 201035A	" " " " nut	ナット	2	" " "
15	○ 202278	" " " " spring bushing	止パイプ	2	" " "
16	○ 201037	" " " " spring (heavy)	バネ(強)	2	" " "
17	○ 201039	" " " " " cap	受皿	2	" " "
18	○ 101111	" " " " disc	皿	4	" " "
19	○ 5143A	" " " " post	棒	2	" " "
20	○ 137142	" " " " " washer	座金	2	" " "
21	◎ 200287	Presser foot (solid), complete with 200266, 141163 & 1231	固定押エ(組)200266, 141163, 1231トノ組	1	" " "
	200266	" " body	大押エ(組)	1	" " "
	141163	" " chaining-off finer (for 2-needle machine)	押エ爪(2本針用)	1	" " "
	1231	" " " " screw	止ネジ	1	" " "
22	◎ 200278	Right looper	大ルーパー	1	
23	○ 200273	Auxiliary right looper thread guide	補助糸道	1	
24	○ 2921	" " " " " screw	止ネジ	1	
25	◎ 200337	Needle bar drive connection oil shield	大ロッドカバー	1	
26	◎ 200277	" bar, complete with 200367 & 200369	針棒(組)200367, 200369トノ組	1	Also for DCP-105 共用
27	○ 5292	" clamp screw	針止ネジ	2	" " "
28	○ D C x1	Needle, size No.11	針#11	2	
29	◎ 200252A	" plate	針板	1	Also for DCP-105 共用
30	◎ 200336A	" plate	"	1	DCP-109W only用
31	◎ 200259A	Feed dog	送り歯	1	DCP-101W, 103 & 109W only用
32	◎ 200323A	Differential feed dog	差動送り歯	1	" " " "
33	◎ 138561	Lower knife carrier	下メス台	1	" " " "
34	◎ 200289	Presser foot (hinged), complete with 200290, 141163 & 1231	自由押エ(組)200290, 141163, 1231ノ組	1	DCP-109W only用
	200290	" " body	大押エ(組)	1	
	141163	" " chaining-off finger (for 2-needle machine)	押エ爪(2本針用)	1	
	1231	" " " " screw	止ネジ	1	
35	○ 200271	" " fabric guard	押エ羽根	1	DCP-101W, 103 & 109W only用
36	○ 5030	" " " " screw	止ネジ	1	



ACCESSORIES

附属品

Ref. No. 参照番号	Parts No. 部品番号	Name	名称	Qt. 数量	Remarks 備考
	200470	Welt guide, complete with	定規台(組)137905, 2193, 137142, 137908, 1202, 137906, 2430 トノ組	1	DCP-101 only用
1	137905	" " holder	定規台	1	
2	2193	" " " screw	〃 止ネジ	1	
3	137142	" " " " washer	〃 〃 座金	1	
4	137908	" guide	定規羽根	1	
5	1202	" " screw	〃 止ネジ	1	
6	137906	" " " washer	〃 〃 座金	1	
7	2430	" " holder regulating screw	定規台調節ネジ	1	
	200471	Cloth guide, complete with	定規台(組)138905, 2193, 137142, 200272, 1202 & 137906 トノ組	1	DCP-101W, 103 & 109 only用
8	138905	" " holder	定規台	1	
9	2193	" " " screw	〃 止ネジ	1	
10	137142	" " " " washer	〃 〃 座金	1	
11	200272	" guide	定規	1	
12	1202	" " screw	〃 止ネジ	1	
13	137906	" " " washer	〃 〃 座金	1	
14	138559	Upper knife	上メス	1	
15	137562	Lower knife	下メス	1	
16	D C x1	Needle, size No.9 (for domestics only)	針#9	10	DCP-101 & 106 only用
	D C x1	" " No.11 (for exports only)	〃 #11	10	DCP-101W, 103, 105, 109 & 109W only用
17	202014A	Machine base set hook	オイルパン足金	4	
18	5019	" " " " wood screw	〃 据付用木ネジ	4	
19	137142	" " " " " " washer	〃 〃 座金	4	
20	127	Screw driver (large)	ネジ廻シ(大)	1	
21	128	" " (medium)	〃 (中)	1	
22	179	Hexagan face screw driver (for needle clamp screws)	ソケットスクリュー用ドライバー (二本針針止メネジ用)	1	DCP-105, 109 & 109W only用
23	131	Tweezers	ピンセット	1	
24	286	Wrench(9.5mm)	スパナ(9.5mm)	1	
25	284	" (7.0mm)	〃 (7 mm)	1	
26	283	" (6.0mm)	〃 (6 mm)	1	
27	282	" (5.0mm)	〃 (5 mm)	1	
28	135A	Funnel	ジョウゴ	1	
29	132	Oiler	油差シ	1	
30	133	Oil container (500cc)	油缶(500cc)	1	
31	126	Treadle chain	鎖	1	
32	121	Treadle	靴(国内用)	1	
	122	" (for exports)	" (貿易用)	1	

NUMERICAL INDEX OF PARTS

部 品 番 号 索 引

Parts No.	Page	Ref. No.	Parts No.	Page	Ref. No.	Parts No.	Page	Ref. No.	Parts No.	Page	Ref. No.	Parts No.	Page	Ref. No.
部品番号	頁	参照番号	部品番号	頁	参照番号	部品番号	頁	参照番号	部品番号	頁	参照番号	部品番号	頁	参照番号
121	25	32	1234	5	8	3119	5	29	101113	7	29	138561	21	5
122	25		1281	19	18	5001	9	5	101113	7	61	138561	21	14
126	25	31	1326	7	58	5002	7	36	137016	7	66	138561	23	33
127	25	20	1326	19	36	5002	7	54	137103	7	67	138905	25	8
128	25	21	1419	9	39	5002	9	2	137106	7	34	139301	21	19
131	25	23	1435	11	22	5003	9	3	137114	7	30	141122	21	40
132	25	29	1457	5	11	5010	3	21	137115	7	62	141163	21	
133	25	30	1457	7	13	5010	5	4	137121	7	5	141163	23	
135A	25	28	1457	7	15	5010	7	4	137122	5	25	141163	23	
179	25	22	1457	7	50	5012	7	39	137123	5	26	142163	23	
282	25	27	1457-1	7	68	5017	13	8	137130	5	3	167005	11	3
283	25	26	1458	7	42	5017	13	15	137130	7	3	193174	7	57
284	25	25	1459	13		5019	25	18	137142	5	43	200003A	3	
286	25	24	1732	5	32	5020	15	10	137142	7	20	200015	3	16
1132	11	16	1732	21	24	5020	15	17	137142	7	33	200016	3	17
1156	7	41	1732	23	11	5020	15	21	137142	7	45	200017	3	18
1156	9	11	1817-2A	5	42	5022	17	16	137142	7	65	200018A	3	15
1170	17	18	1817-2A	7	32	5025	17	30	137142	9	6	200020	3	14
1170-1	5	34	1817-2A	7	64	5025	19	15	137142	13	21	200021	3	19
1170-3	5	19	1892	7	47	5026	3	4	137142	19	8	200024	3	26
1170-3	9	9	1936A	3		5027	11	11	137142	19	19	200030	3	25
1170-3	9	37	2022	5	13	5029	7	37	137142	21	33	200033	5	1
1174	9	33	2022	7	8	5030	21	8	137142	23	20	200034	5	
1174	11	2	2022	7	52	5030	21	17	137142	25	3	200037	5	9
1174	17	36	2022	9	16	5030	23	36	137142	25	10	200038	5	10
1174	19	9	2022-3	3	5	5051	3	24	137142	25	19	200040	5	20
1175-2	5	48	2022-3	3	9	5051	15	34	137145A	13	10	200041	5	22
1175-2	9	20	2022-3	7	6	5052	3	23	137147	13	13	200044A	5	31
1175-2	9	23	2022-3	9	13	5053	7	56	137163	13	18	200045	5	47
1175-2	17	25	2022-3	15	20	5064	7	11	137163	21		200050	5	
1175-2	19	7	2022-4	5	6	5064	17	33	137163	21		200051	21	
1175-3	3	13	2133-1	5	36	5065	11	21	137164	13		200051	23	
1175-3	13	7	2133-1	11	7	5069	11	28	137165	13		200053	7	7
1186	5	21	2193	7	19	5070	11	24	137166	13		200054	7	9
1186	5	28	2193	25	2	5091	19	23	137301	7	21	200055	7	10
1196	7	22	2193	25	9	5099	17	5	137302	7	55	200055	21	25
1196	19	34	2213	13	3	5134	15	49	137409	9	15	200055	23	12
1202	7	24	2213	13	11	5136	9	35	137419	9	4	200057	7	12
1202	7	27	2213	17	13	5136	17	8	137552	11	6	200057	7	49
1202	17	10	2213-1	5	2	5137	7	44	137553	11	8	200058	7	14
1202	19	21	2213-1	7	2	5138B	15	44	137554	11	10	200059	7	16
1202	25	5	2213-1	7	17	5143A	21	32	137558	11	18	200062	7	18
1202	25	12	2285	13	14	5143A	23	19	137560	11	17	200063	7	23
1216	17	20	2308	9	27	5153	15	46	137561	11	20	200064	7	
1216	17	22	2371	13	5	5183	17	3	137561-1	11	25	200065	7	28
1216	17	28	2430	25	7	5224	11	14	137562	11	26	200070	7	38
1216	19	3	2902	13	20	5259	11	9	137562	25	15	200073	7	48
1216	19	13	2902	15	3	5292	21	37	137563	11	27	200074	7	51
1216	19	13	2905	19	29	5292	23	27	137564	5	33	200077	7	59
1216	19	25	2921	17	15	9070-2	5	23	137905	25	1	200078	7	
1222	5	17	2921	19	5	D C X 1	5	30	137906	25	6	200081	9	32
1231	13	19	2921	23	24	D C X 1	21	38	137906	25	13	200082	9	34
1231	21		3001	9	30	D C X 1	23	28	137908	25	4	200083	9	36
1231	21		3018	11	4	D C X 1	25		137950	3		200084	9	38
1231	21		3018	15	35	D C X 1	25	16	138163	21		200085	9	
1231	21		3044	5	44	101111	5	41	138555-1	11	13	200089	9	12
1231	21		3044	11	23	101111	7	31	138555A	11	12	200097	9	26
1231	23		3044	13	9	101111	7	63	138556	11	15	200098	9	28
1231	23		3044	13	16	101111	21	31	138559	11	19	200099	9	29
1231	23		3044	17		101111	23	18	138559	25	14	200102	11	1
1231	23		3056	7	60									

PartsNo.	Page	Ref. No.	PartsNo.	Page	Ref. No.	PartsNo.	Page	Ref. No.	PartsNo.	Page	Ref. No.	PartsNo.	Page	Ref. No.
部品番号	頁	参照番号	部品番号	頁	参照番号	部品番号	頁	参照番号	部品番号	頁	参照番号	部品番号	頁	参照番号
200103	11		200198	19	32	200288	23	6	200530	15	30			
200105A	11	5	200199	19	33	200289	23	34	200534	5	7			
200106	11		200200	19	35	200290	21		200605	3				
200109	13	1	200202B	3	22	200290	21		200607	3	6			
200110	13	4	200203	5	35	200290	21		200617	7				
200111	13	6	200204	5	45	200290	23		200618	7	1			
200113	13	22	200205	5	24	200291	3	12	200652	5	12			
200116	13		200211	15	41	200292	3	20	200653	5	14			
200117	13	12	200212	19	2	200293 A	7	43	200654	5	15			
200118B	15		200213	17	17	200294	7	46	200655	5	18			
200119	15		200214	17	19	200306	19	22	200696	5	27			
200120	15		200215	17	21	200307	19	26	200698	15	11			
200121	15	43	200219	3	10	200308	9	7	200748	19				
200131	15	8	200220	3	11	200309	9	8	200749	19	14			
200132	15	6	200221	3	8	200310 A	9		200750	19	11			
200133	15	42	200222	3	3	200311	9	17	200821	17	6			
200136	15	9	200225	7	53	200312	9	21	201035A	5	37			
200136	15	27	200226	7	26	200314	9	24	201035A	21	27			
200136	15	36	200229A	9	19	200315 A	9	18	201035A	23	14			
200137	15	13	200233	17	14	200316	9	25	201037	5	39			
200138	15	14	200234	17		200317 A	3	2	201037	21	29			
200138	15	29	200237	19	24	200318 A	9	22	201037	23	16			
200138	15	32	200238	19	6	200319	13	2	201039	5	40			
200138	15	38	200241	19	4	200322	9	10	201039	21	30			
200139A	15	15	200245A	21	2	200323 A	21	4	201039	23	17			
200139A	15	26	200245A	21	11	200323 A	21	13	201086	23	7			
200140	15	23	200250	21	18	200323 A	23	32	201221A	17	4			
200141	15	28	200251A	21	41	200325 A	23	5	201252	7	25			
200141	15	37	200252A	21	39	200336 A	23	30	201428	19	38			
200144	15	18	200252A	23	29	200337	23	25	202013	15	48			
200145	15	19	200253	21	23	200338 A	21	10	202014A	25	17			
200152	15	31	200253	23	10	200339 A	23	2	202030A	15	39			
200156	17	1	200255	21	22	200340	21	35	202045	15	47			
200157	17		200255	23	9	200347	17	37	202177	5	16			
200158	17		200259A	21	3	200348	21	9	202199	15	40			
200159A	17	2	200259A	21	12	200349	21	21	202278	5	38			
200161	17	9	200259A	23	4	200350	23	1	202278	21	28			
200162A	17	11	200259A	23	31	200351	23	8	202278	23	15			
200162A	17	26	200260	19	37	200352	21	1	202286	5	46			
200163A	17	12	200262	15	12	200373	7	40	202286	21	26			
200168	17	27	200265	5	5	200389	3	7	202286	23	13			
200169	17	29	200266	21		200470	25		202287A	15	45			
200170	17		200266	23		200471	25		202865	17	7			
200171	17	23	200266	23		200497	15		202903	9	14			
200172	17	24	200267	13		200498	15	4	202903	15	25			
200173	17	31	200268	13	17	200499	15	5						
200174	17	32	200269A	23	3	200500	15	7						
200175	17	34	200271	21	7	200501	7	35						
200176A	17	35	200271	21	16	200502	9	31						
200177	19	1	200271	23	35	200503	9	1						
200181A	19	10	200272	25	11	200505	15	1						
200184	19	12	200273	23	23	200506	15	2						
200186	19		200277	21	36	200510	3	1						
200187A	19	16	200277	23	26	200511	3							
200189	19	17	200278	23	22	200513	7							
200190A	19	20	200285	21	20	200514	9							
200194	19	27	200286	21	6	200515	15	22						
200195	19	28	200286	21	15	200520	15	16						
200196	19	30	200287	21	34	200522	15	24						
200197	19	31	200287	23	21	200524	15	33						

**PEGASUS
SEWING MACHINE MFG.
CO., LTD.[®]**

