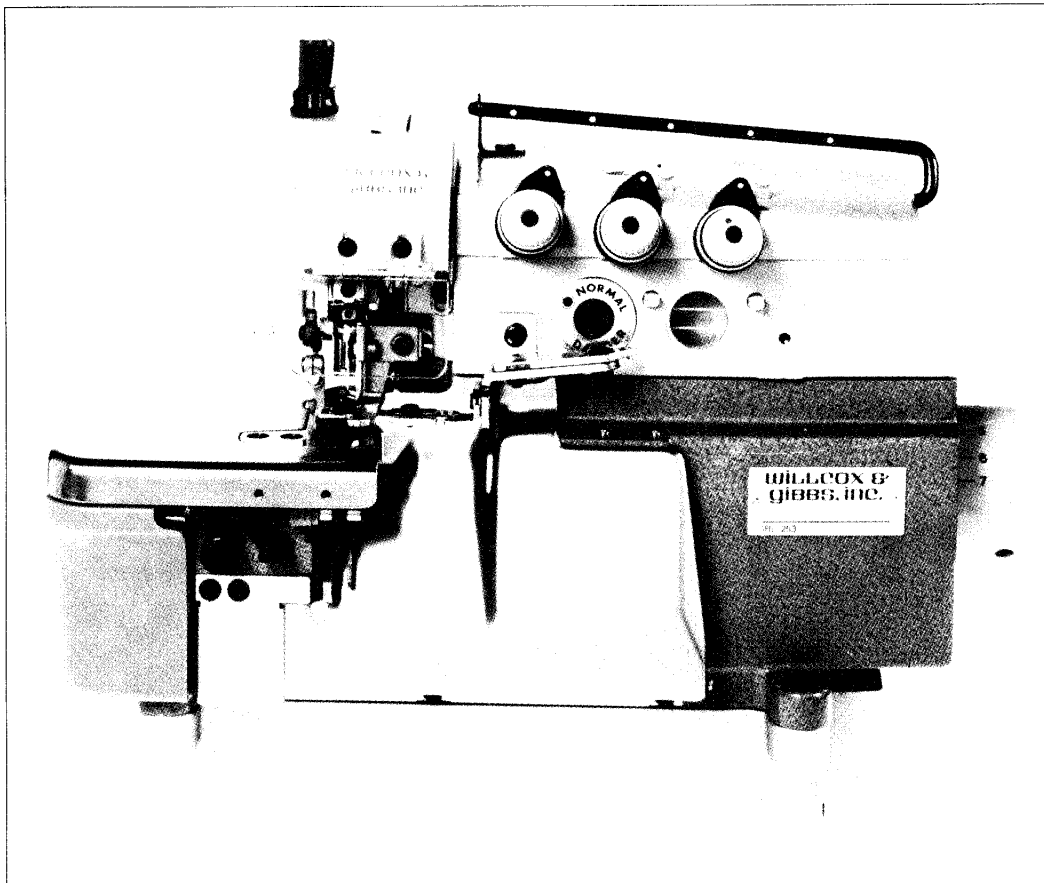


E SERIES

MODELS: E32. E52. E56.

FIFTH EDITION



WILLCOX & GIBBS

INTRODUCTION

This parts catalog has been arranged in the following manner. It is based on the E series machines manufactured in January, 1983.

1 MECHANISM (Pages 2-43)

Each mechanism of the machine is shown here. Please note that the parts described in this section are for seaming machines having the same inner moving parts.

2 SPECIFIC PARTS (Pages 46-71)

In the E series, there are other machines than the above that use their own attachments or inner moving parts. The details of them are listed in this section.

3 GAUGE PARTS (Pages 78-160)

On pages 78-147, the gauge parts construction charts are shown. Please note that generally, each chart shows the subclasses that perform similar sewing operations. On pages 148-160, the gauge parts lists are shown. They are arranged in numerical order of the machine type numbers.

4 REFERENCE TABLE (Pages 44-45)

The table provides an index of the machine, and its specific parts and gauge parts construction chart.

5 THE MACHINE MODEL AND ILLUSTRATIONS

When a part or parts are used only in certain machine models, they are enclosed in a frame with description of the machine model.

Example

The parts ⑫~⑯ on page 18 are used only for E32 and E52.

Also, the same measurement is taken when using the reference numbers only.

Example

The part ② on page 2 is used only for E56.
The parts ①⑤⑨ are used only for E32 and E52.

6 PART NUMBER INDEX (Pages 165-170)

A part number index is attached to the back of this catalog for convenience.

7 PLEASE NOTE:

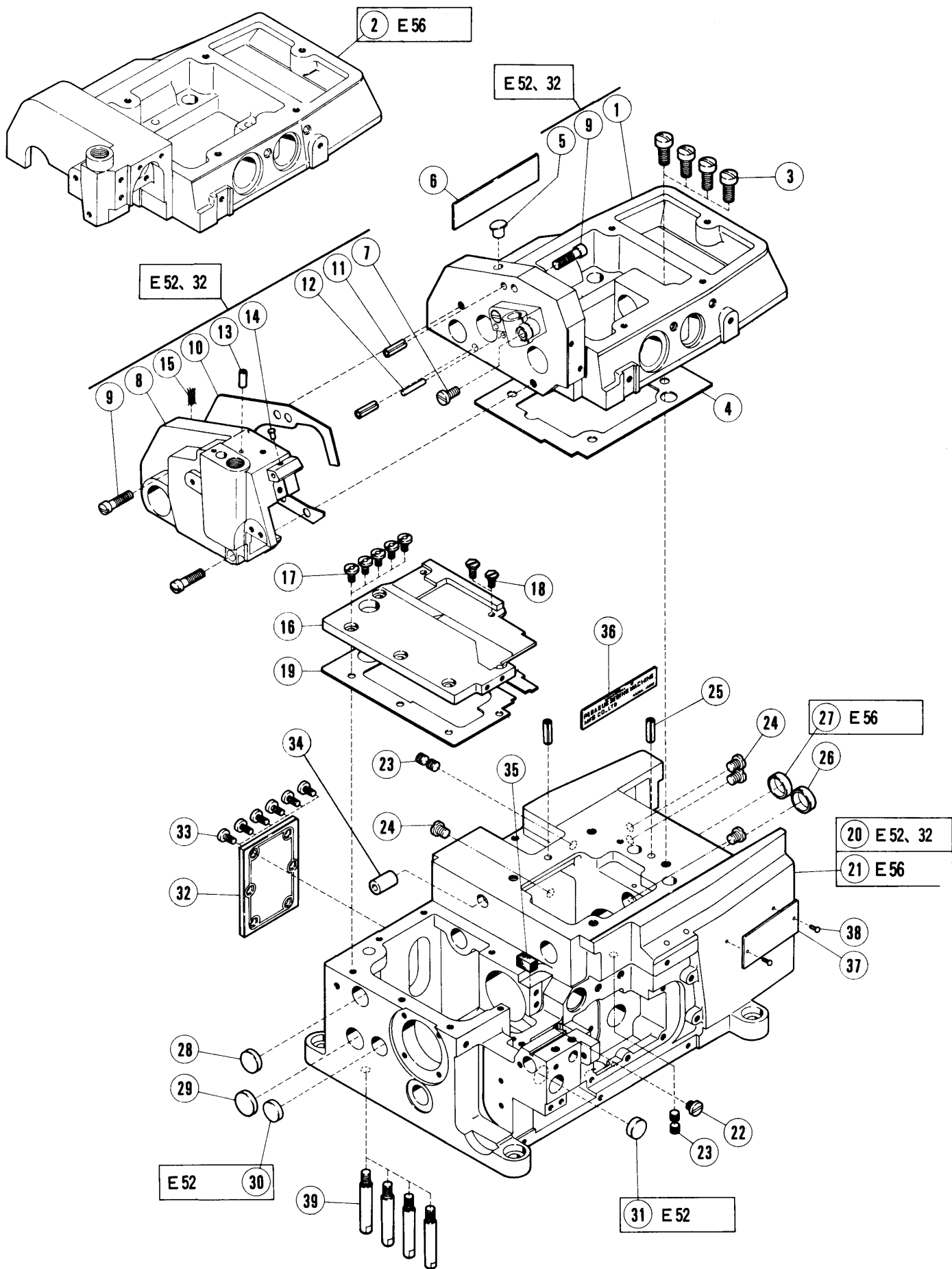
This catalog is applicable to your machine and is subject to change without notification.

TABLE OF CONTENTS

	Page
Machine bed frame	2-3
Covers (1)	4-5
Covers (2)	6-7
Crankshaft drive mechanism	8-9
<u>E32/E52 needle drive mechanism</u>	<u>10-11</u>
E32 needle drive mechanism	12-13
E52 needle drive mechanism	14-15
E56 needle drive mechanism	16-17
Upper looper drive mechanism (1)	18-19
Upper looper drive mechanism (2)	20-21
Lower looper drive mechanism	22-23
E32 chainstitch looper drive mechanism (1)	24-25
E32 chainstitch looper drive mechanism (2)	26-27
Feed mechanism (1)	28-29
Feed mechanism (2)	30-31
Knife drive mechanism	32-33
Presser foot mechanism (1)	34-35
Presser foot mechanism (2)	36-37
Lubricating mechanism	38-39
H.R. device	40-41
Fabric edge guide	42-43
Specific parts	44-71
Thread stand	72-73
Parts for semi-submerged installation	74-75
Accessories	76-77

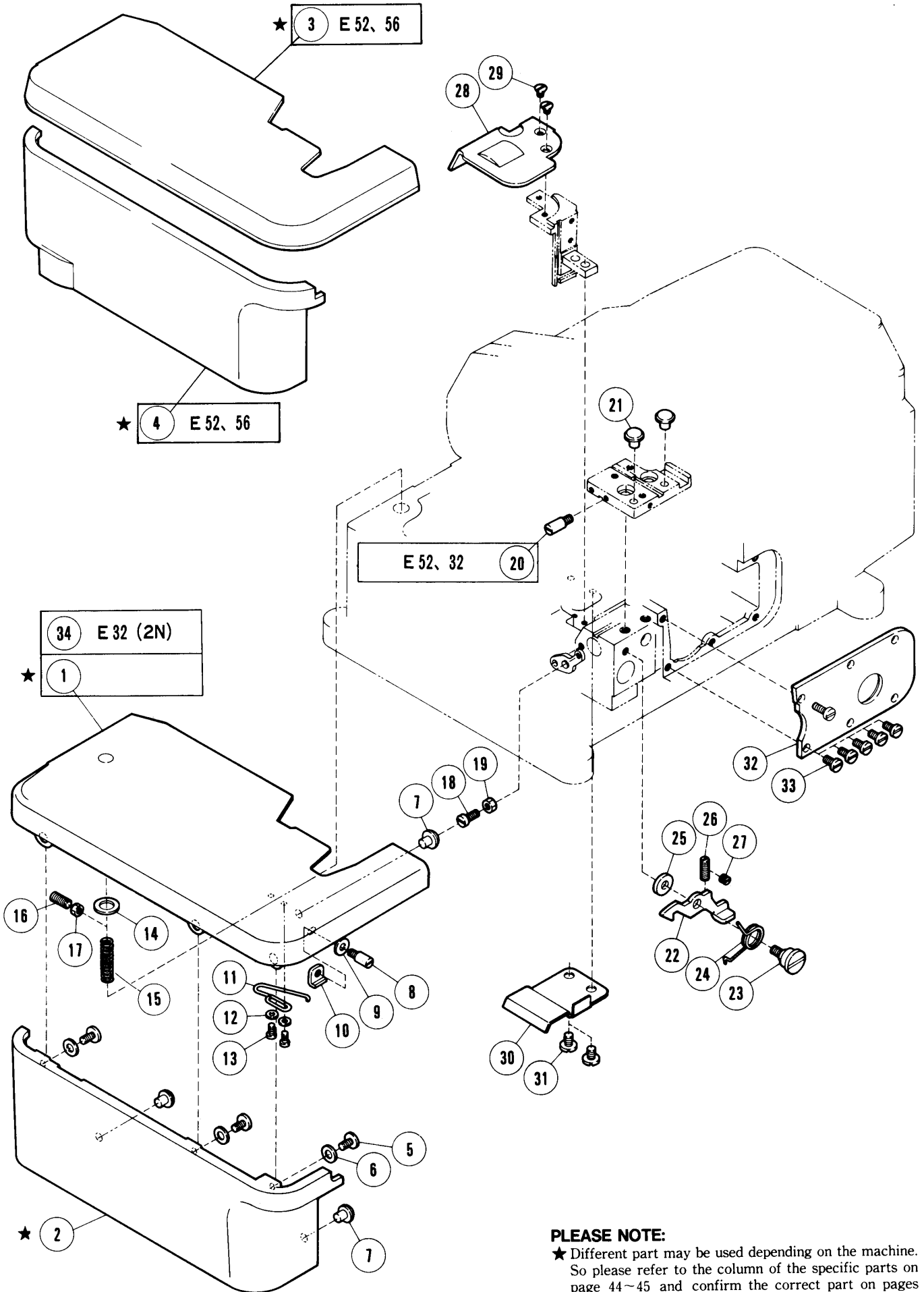
GAUGE PARTS CONSTRUCTION CHARTS · GAUGE PARTS LISTS

E32 gauge parts construction chart	78-97
E52 gauge parts construction chart	98-129
E56 gauge parts construction chart	130-147
E32 gauge parts list	148-151
E52 gauge parts list	152-156
E56 gauge parts list	157-160
Needle size and upper looper/spreader	161
Needle size reference	161
Component parts list for main feed dog complete	162
E series machine classification	163
Part number index	165-170



MACHINE BED FRAME

REF. NO.	PART NO.	NAME	QT.	MEMO
1	210218-HD	MACHINE ARM (RIGHT)	1	
2	210001-HD	MACHINE ARM	1	
3	5078	SCREW	4	
4	210002	GASKET	1	
5	211342	PLUG	1	
6	210526	NAME PLATE	1	
7	5357	SCREW	1	
8	210219-HD	MACHINE ARM (LEFT)	1	
9	5163	SCREW	3	
10	210220	GASKET	1	
11	201002	PIN	2	
12	206665	PIN	1	
13	210528	OIL PIPE	1	
14	198192	CUSHION RUBBER	1	
15	202174	OIL WICK	1	
16	210008	COVER PLATE	1	
17	4009-1	SCREW	5	
18	5482	SCREW	2	
19	210009	GASKET	1	
20	212327-FD	MACHINE BED	1	
21	212328-FD	MACHINE BED	1	
22	5434	SCREW	1	
23	2913-1	SCREW	4	
24	5332	SCREW	4	
25	201002	PIN	2	
26	204828	PLUG	1	
27	204828	PLUG	1	
28	208173	PLUG	1	
29	210003	PLUG	1	
30	218173	PLUG	1	
31	209084	PLUG	1	
32	210005	COVER PLATE	1	
33	5459	SCREW	6	
34	210583	OIL RETURN PIPE	1	
35	210010	OIL SHIELD	1	
36	202526	NAME PLATE	1	
37	212280	TYPE PLATE	1	
38	210679	PIN	2	
39	204006	MACHINE BED BOTTOM PIN	4	



PLEASE NOTE:

★ Different part may be used depending on the machine.
 So please refer to the column of the specific parts on page 44~45 and confirm the correct part on pages 46~71.

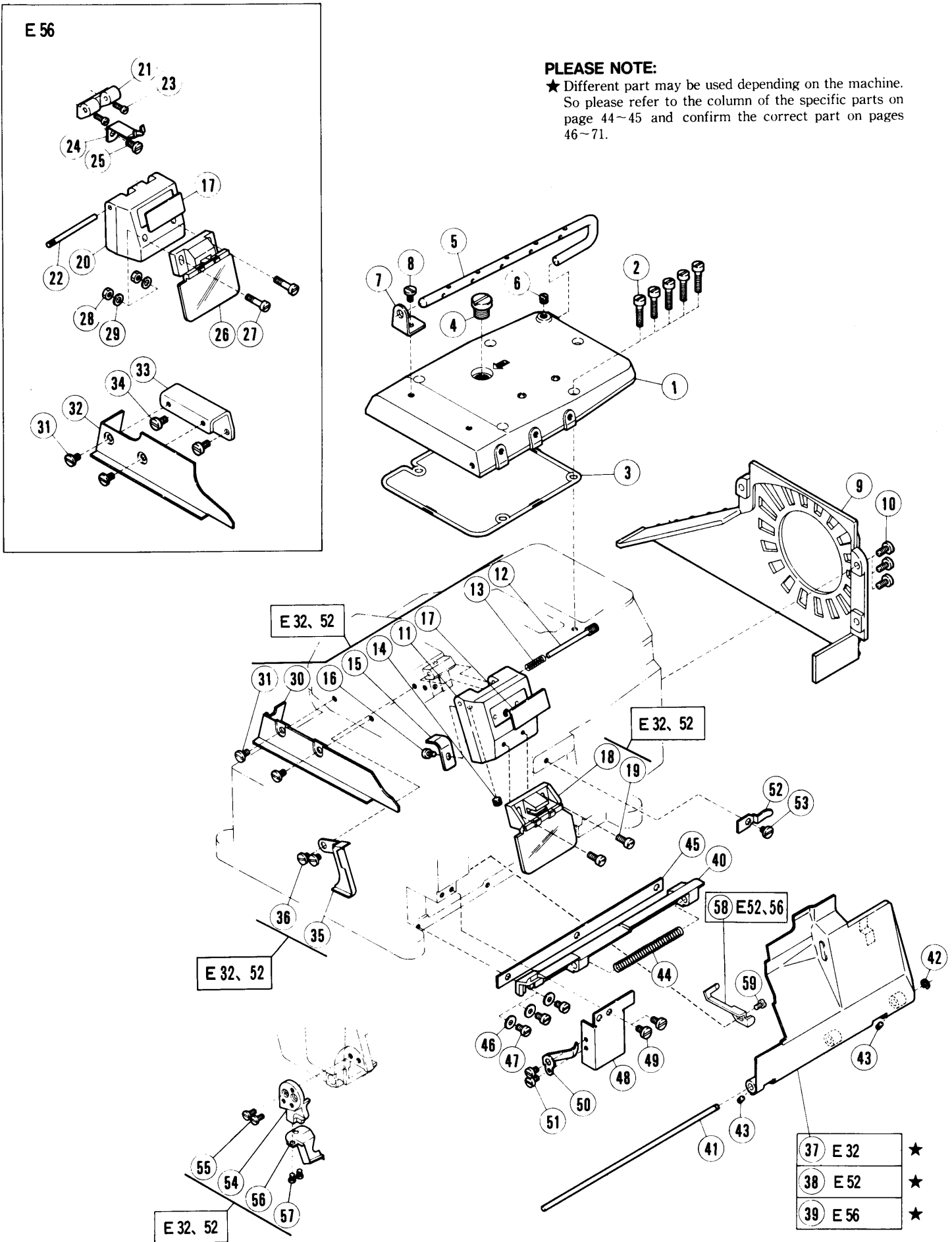
COVERS (1)

REF. NO.	PART NO.	NAME	QT	MEMO
★ 1	210883	CLOTH PLATE (WIDE)	1	
★ 2	210027-FB	SIDE COVER (FOR 210883)	1	
★ 3	210881	CLOTH PLATE (NARROW)		
★ 4	210026-FB	SIDE COVER (FOR 210881)	1	
5	4009-1	SCREW	3	
6	202058	WASHER	3	
7	210025	CUSHION RUBBER	3	
8	210022	LATCH PIN	1	
9	137906	WASHER	1	
10	211300	NUT	1	
11	210024	SPRING	1	
12	202875	WASHER	2	
13	5012	SCREW	2	
14	210020	WASHER	1	
15	192130	SPRING	1	
16	5483	SCREW	1	
17	3044	NUT	1	
18	1174	SCREW	1	
19	3091	NUT	1	
20	210022	CLOTH PLATE LATCH PIN	1	
21	210025	CUSHION RUBBER	2	
22	210021	LATCH	1	
23	5488	SCREW	1	
24	210023	LATCH SPRING	1	
25	208245	WASHER	1	
26	1435	SCREW	1	
27	1459	SCREW	1	
28	210006	FEED ECCENTRIC COVER	1	
29	5480	SCREW	2	
30	210007	FEED BAR COVER	1	
31	2905	SCREW	2	
32	210117	UPPER LOOPER HOLDER COVER	1	
33	4009-1	SCREW	5	
34	210885	CLOTH PLATE (WIDE)(2N)	1	

E 56

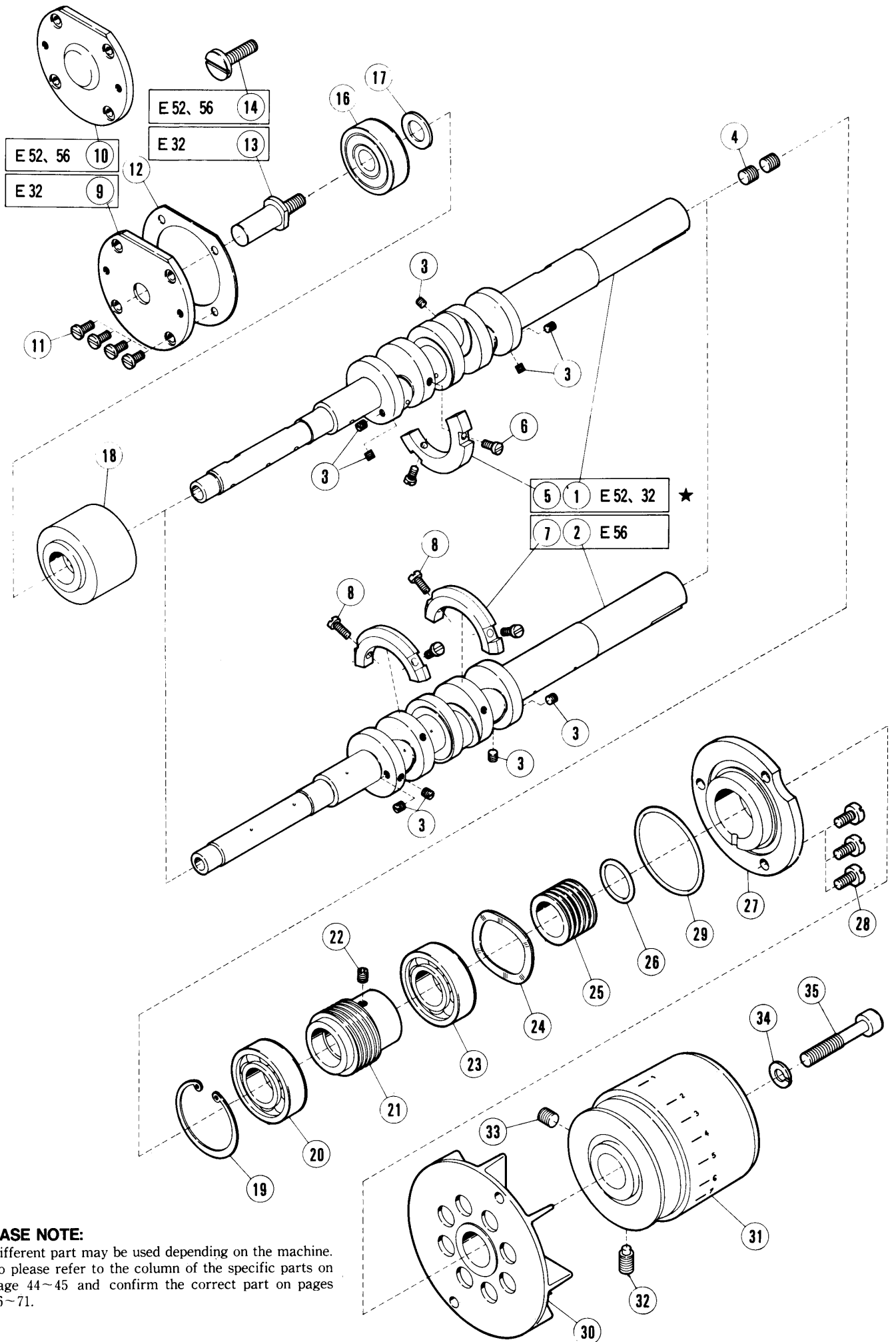
PLEASE NOTE:

★ Different part may be used depending on the machine.
So please refer to the column of the specific parts on
page 44~45 and confirm the correct part on pages
46~71.



COVERS (2)

REF. NO.	PART NO.	NAME	QT.	MEMO
1	210034-HD	TOP COVER	1	
2	5095	SCREW	5	
3	210035	O RING	1	
4	5198	SCREW	1	
5	210036	THREAD GUIDE BAR	1	
6	5060	SCREW	1	
7	210037	BRACKET	1	
8	4009-1	SCREW	1	
9	210028-FD	BELT COVER	1	
10	5117	SCREW	3	
11	211959-HD	NEEDLE THREAD COVER	1	
12	5598	PIN-SCREW	1	
13	211958	SPRING	1	
14	5292	SCREW	1	
15	210223	SPRING	1	
16	1216	SCREW	1	
17	205723	NAME PLATE	1	
18	208747	EYE GUARD COMPLETE	1	
19	1175-3	SCREW	2	
20	210029-HB	NEEDLE THREAD COVER	1	
21	202516-HD	HINGE	1	
22	210030	HINGE PIN	1	
23	2918	SCREW	2	
24	210031	HINGE SPRING	1	
25	5117	SCREW	1	
26	205688	EYE GUARD COMPLETE	1	
27	5010	SCREW	2	
28	3091	NUT	2	
29	137906	WASHER	2	
30	210224	FABRIC GUARD	1	
31	2905	SCREW	2	
32	210032	FABRIC GUARD	1	
33	210033	BRACKET/FABRIC GUARD	1	
34	5117	SCREW	2	
35	210221	MACHINE ARM LEFT COVER	1	
36	2905	SCREW	2	
★37	210270	FRONT COVER	1	
★38	210225	FRONT COVER	1	
★39	210041	FRONT COVER	1	
40	210042	HINGE	1	
41	208009	PIN	1	
42	200555	RETAINING RING	1	
43	5292	SCREW	2	
44	210043	HINGE SPRING	1	
45	210047	GASKET	1	
46	137906	WASHER	3	
47	1202	SCREW	3	
48	210046	GUIDE	1	
49	5458	SCREW	2	
50	210045	HOOK SPRING	1	
51	1216	SCREW	2	
52	210044	HOOK SPRING	1	
53	2905	SCREW	1	
54	211389	COVER	1	
55	5328	SCREW	2	
56	211390	COVER	1	
57	5053	SCREW	2	
58	211804	STOPPER	1	
59	5012	SCREW	1	

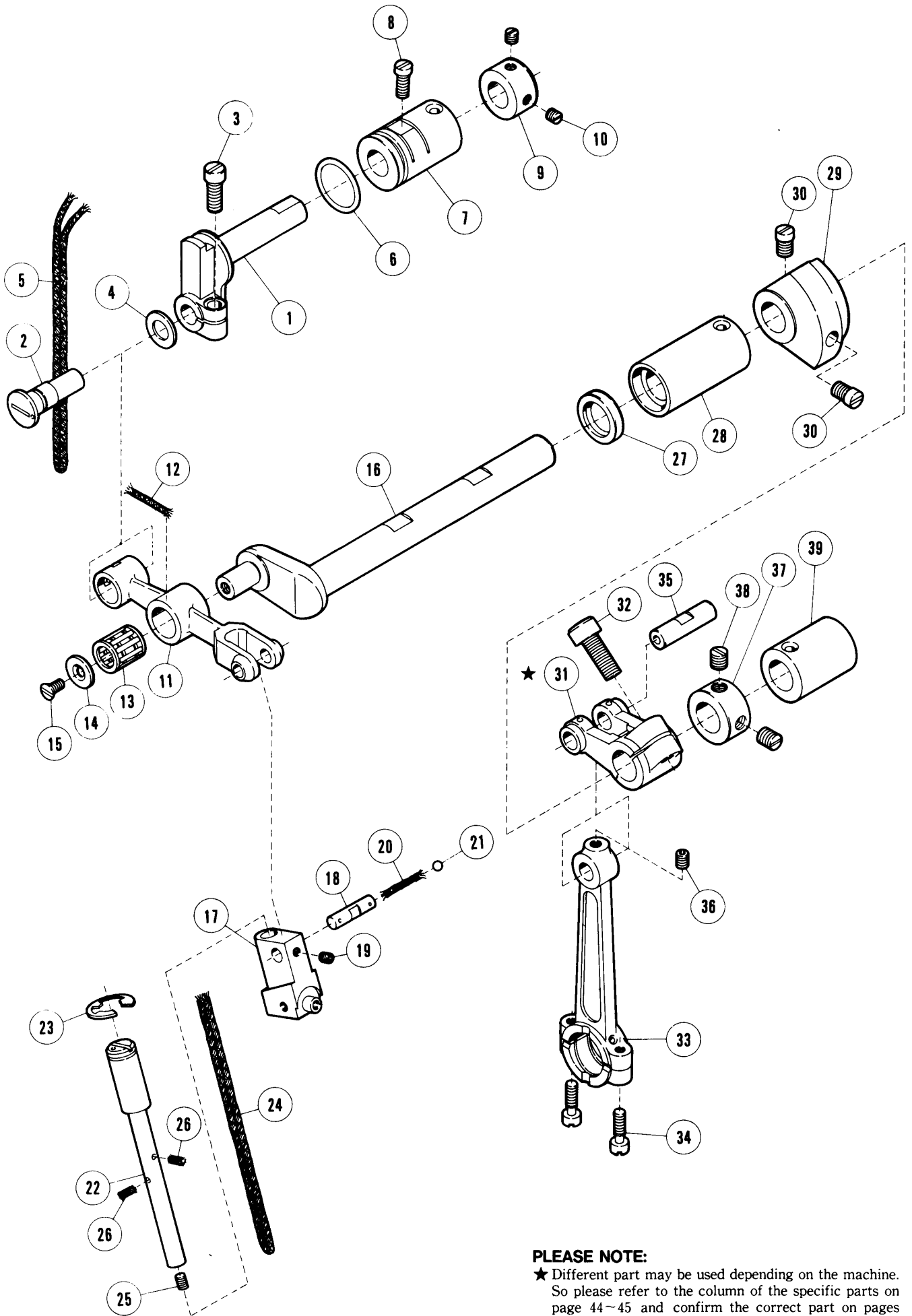


PLEASE NOTE:

★ Different part may be used depending on the machine. So please refer to the column of the specific parts on page 44~45 and confirm the correct part on pages 46~71.

CRANKSHAFT DRIVE MECHANISM

REF. NO.	PART NO.	NAME	QT.	MEMO
★ 1	210228	CRANKSHAFT	1	
2	210048	CRANKSHAFT	1	
3	1459	SCREW	5	
4	1448	SCREW	2	
5	210062	BALANCE WEIGHT	1	
6	5029	SCREW	2	
7	211341	BALANCE WEIGHT	2	
8	5029	SCREW	4	
9	204881	HOUSING	1	
10	204737	HOUSING	1	
11	5328	SCREW	4	
12	204319	GASKET	1	
13	204873	CRANKSHAFT EXTENSION	1	
14	5497	SCREW	1	
16	204010	BALL BEARING	1	
17	204789	THRUST WASHER	1	
18	211533	BUSHING	1	
19	211527	RETAINING RING	1	
20	211525	BALL BEARING	1	
21	211530	WORM	1	
22	5461	SCREW	1	
23	211526	BALL BEARING	1	
24	211529	PLATE SPRING	1	
25	210056	OIL SEAL	1	
26	210057	O RING	1	
27	211528	BALL BEARING RETAINER	1	
28	5117	SCREW	3	
29	210055	O RING	1	
30	210058	COOLING FAN	1	
31	211345-HD	MACHINE PULLEY	1	
32	5523	PIN-SCREW	1	
33	5050	SCREW	1	
34	204293	SPRING WASHER	1	
35	5522	SCREW	1	

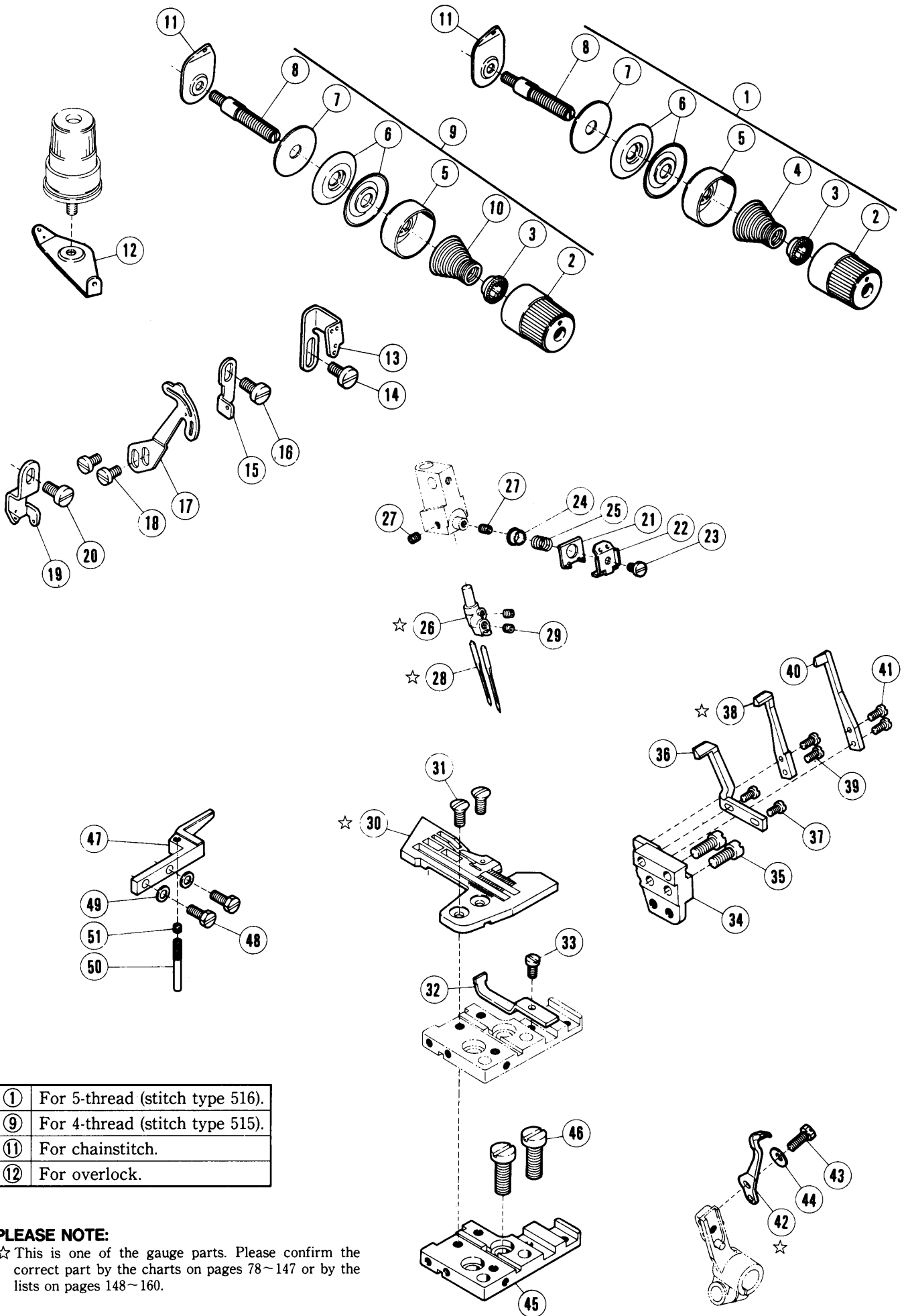


PLEASE NOTE:

★ Different part may be used depending on the machine.
 So please refer to the column of the specific parts on
 page 44~45 and confirm the correct part on pages
 46~71.

E32/E52 NEEDLE DRIVE MECHANISM (1)

REF. NO.	PART NO.	NAME	QT.	MEMO
1	210239	HOLDER	1	
2	210240	PIN	1	
3	5485	SCREW	1	
4	210241	WASHER	1	
5	212186	OIL WICK	1	
6	210057	O RING	1	
7	210242	BUSHING	1	
8	2133-1	SCREW	1	
9	201056	THRUST COLLAR	1	
10	1457	SCREW	2	
11	210235	LEVER/NEEDLE DRIVE	1	
12	202175	OIL WICK	1	
13	210238	NEEDLE BEARING	1	
14	210236	WASHER	1	
15	5022	SCREW	1	
16	210232	SHAFT/NEEDLE DRIVE	1	
17	210243	NEEDLE HOLDER GUIDE	1	
18	210237A	PIN	1	
19	5292	SCREW	1	
20	202175	OIL WICK	1	
21	240148	PLUG	1	
22	210244	STUD	1	
23	202577	STOP RING	1	
24	202176	OIL WICK	1	
25	5292	SCREW	1	
26	202174	OIL WICK	2	
27	210069	OIL SEAL	1	
28	210234	BUSHING	1	
29	210511	BALANCE WEIGHT	1	
30	5059	SCREW	2	
★31	210230	CRANK/NEEDLE DRIVE/STD LIFT	1	
32	5457	SCREW	1	
33	210229	CONNECTION/NEEDLE DRIVE	1	
34	5376	SCREW	2	
35	204146	PIN	1	
36	5461	SCREW	1	
37	201635	COLLAR	1	
38	5060	SCREW	2	
39	210233	BUSHING	1	



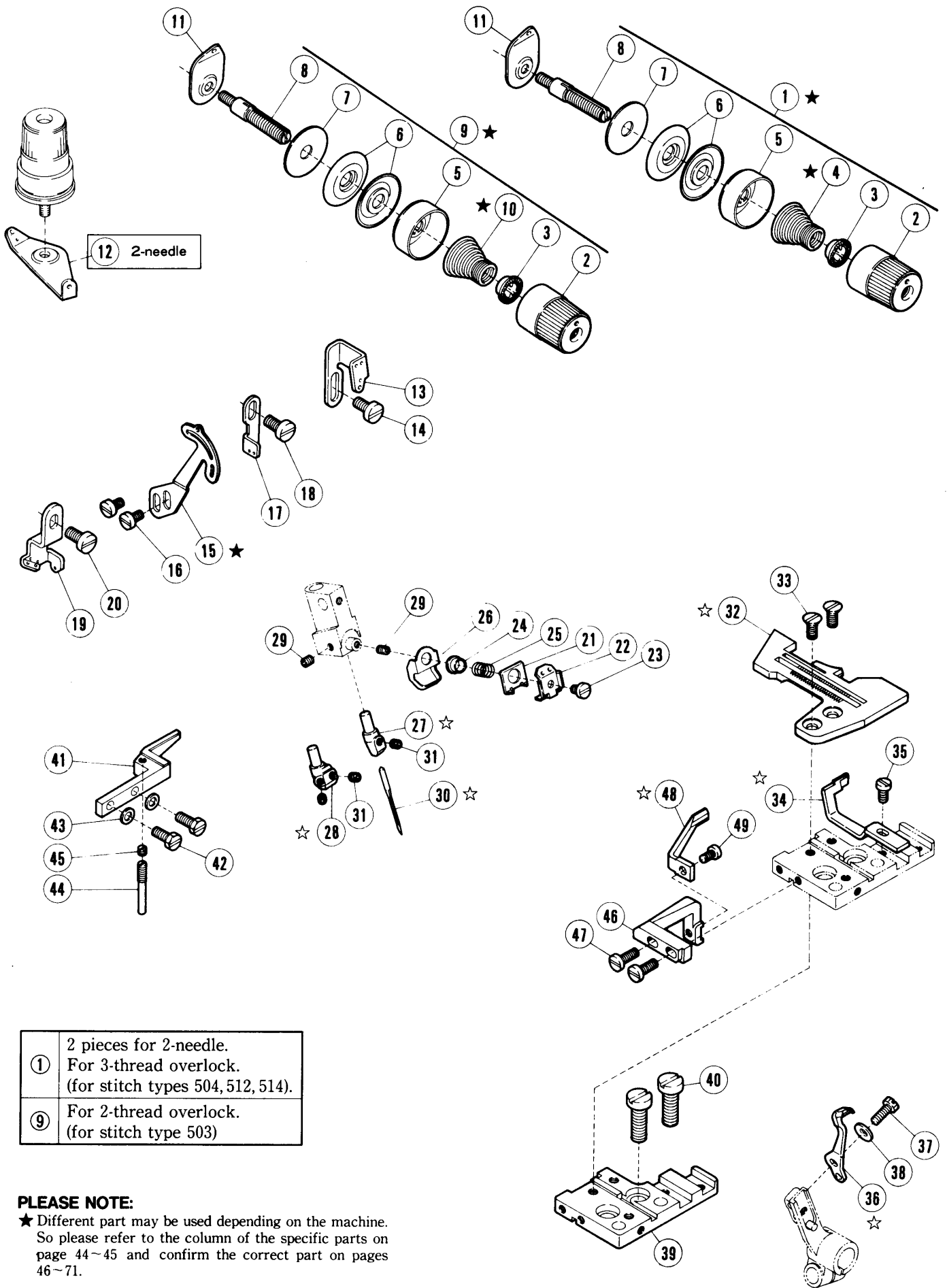
①	For 5-thread (stitch type 516).
⑨	For 4-thread (stitch type 515).
⑪	For chainstitch.
⑫	For overlock.

PLEASE NOTE:

☆ This is one of the gauge parts. Please confirm the correct part by the charts on pages 78~147 or by the lists on pages 148~160.

E32 NEEDLE DRIVE MECHANISM

REF. NO.	PART NO.	NAME	QT.	MEMO
1	210529	TENSION NUT COMPLETE	1	
2	208447	POST NUT	1	
3	208448	SPRING BUSHING	1	
4	201037	TENSION SPRING (HEAVY)	1	
5	208450	CUP	1	
6	210319	DISK	2	
7	208449	FELT	1	
8	5082A	POST	1	
9	210531	THREAD TENSION COMPLETE	1	
10	201068	TENSION SPRING (LIGHT)	1	
11	202849	GUIDE/1 NDL	1	
12	210090	GUIDE/2 NDL	1	
13	210264	NEEDLE THREAD GUIDE RIGHT	1	
14	5117	SCREW	1	
15	210722	NEEDLE THREAD GUIDE CENTER	1	
16	5117	SCREW	1	
17	211898	NEEDLE THREAD TAKEUP	1	
18	1175-3	SCREW	2	
19	210313	NEEDLE THREAD GUIDE LEFT	1	
20	5117	SCREW	1	
21	210749	NEEDLE THREAD RETAINER	1	
22	210260	BRACKET	1	
23	1229	SCREW	1	
24	210750	GUIDE	1	
25	210751	SPRING	1	
☆26	XXXXXX	NEEDLE HOLDER	1	
27	5292	SCREW	2	
☆28	XXXXXX	NEEDLE	2	
29	5292	SCREW	2	
☆30	XXXXXX	NEEDLE PLATE	1	
31	5484-HC	SCREW	2	
32	210278	CHAINSTITCH NEEDLE GUARD FRONT	1	
33	5328	SCREW	1	
34	210277	NEEDLE GUARD BRACKET	1	
35	5002	SCREW	2	
36	210279	CHAINSTITCH NEEDLE GUARD REAR	1	
37	5492	SCREW	2	
☆38	210276	OVERLOCK NEEDLE GUARD REAR	1	
39	5492	SCREW	2	
40	210275	OVERLOCK NEEDLE GUARD FRONT	1	
41	5492	SCREW	2	
☆42	210724	MOVABLE NEEDLE GUARD	1	
43	5501	SCREW	1	
44	210930	WASHER	1	
45	211392	BRACKET ASSEMBLY/NEEDLE PLATE	1	
46	5357	SCREW	2	
47	210922	SUPPORT COMPLETE	1	
48	5501	SCREW	2	
49	210898	WASHER	2	
50	210923	GUIDE	1	
51	1459	SCREW	1	



①	2 pieces for 2-needle. For 3-thread overlock. (for stitch types 504, 512, 514).
⑨	For 2-thread overlock. (for stitch type 503)

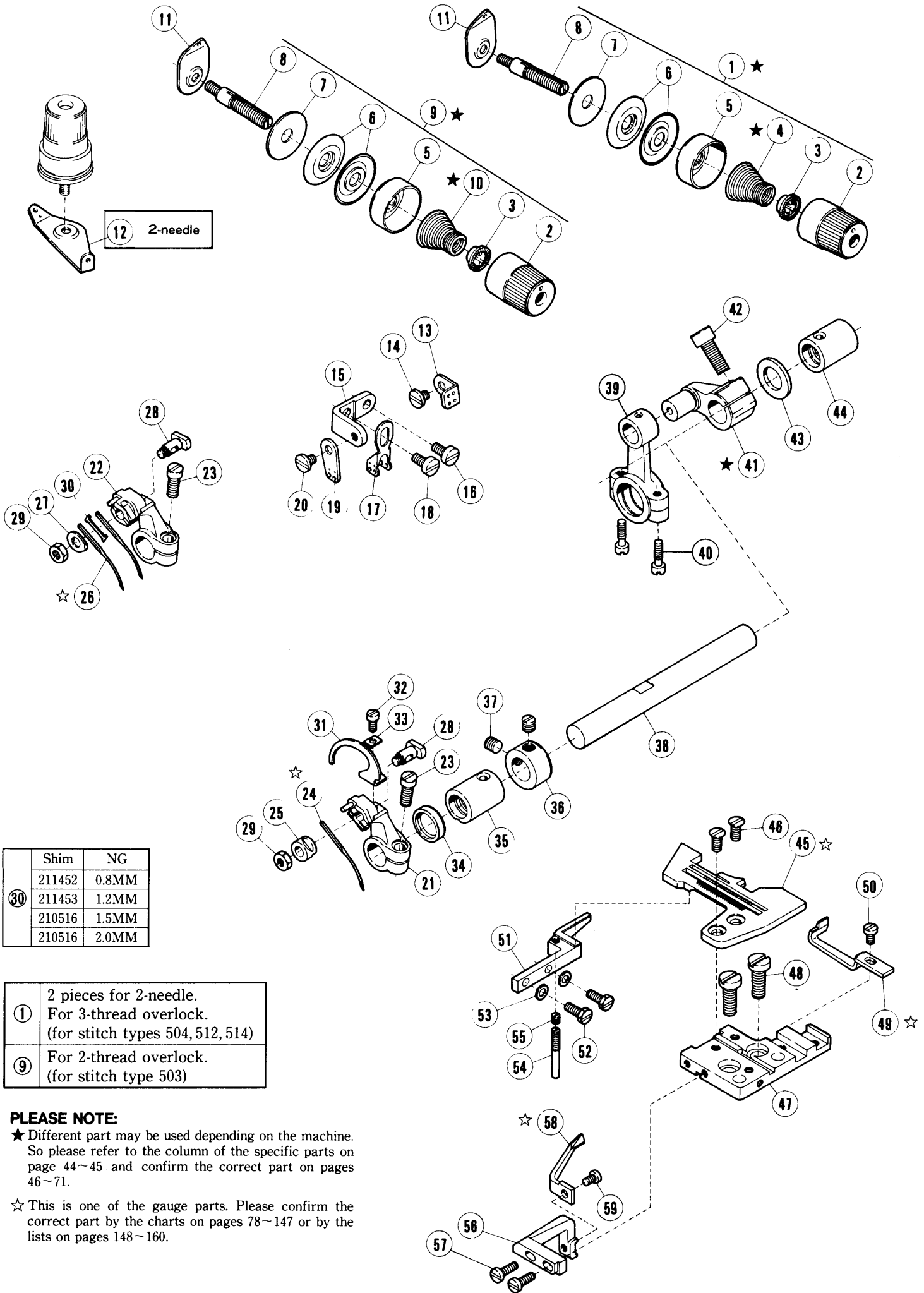
PLEASE NOTE:

★ Different part may be used depending on the machine. So please refer to the column of the specific parts on page 44~45 and confirm the correct part on pages 46~71.

☆ This is one of the gauge parts. Please confirm the correct part by the charts on pages 78~147 or by the lists on pages 148~160.

E52 NEEDLE DRIVE MECHANISM

REF. NO.	PART NO.	NAME	QT.	MEMO
★ 1	210529	THREAD TENSION COMPLETE	1	
2	208447	POST NUT	1	
3	208448	SPRING BUSHING	1	
★ 4	201037	TENSION SPRING (HEAVY)	1	
5	208450	CAP	1	
6	210319	DISC	2	
7	208449	FELT	1	
8	5082A	SCREW STUD	1	
★ 9	210531	THREAD TENSION COMPLETE	1	
★10	201068	TENSION SPRING (LIGHT)	1	
11	202849	TENSION GUIDE	1	
12	210090	TENSION GUIDE/2 NDL	1	
13	210264	NEEDLE THREAD GUIDE RIGHT	1	
14	5117	SCREW	1	
★15	211398	NEEDLE THREAD TAKEUP	1	
16	1175-3	SCREW	2	
17	211400	NEEDLE THREAD GUIDE CENTER	1	
18	5117	SCREW	1	
19	211399	NEEDLE THREAD GUIDE LEFT	1	
20	5117	SCREW	1	
21	210749	NEEDLE THREAD RETAINER	1	
22	210260	BRACKET	1	
23	1229	SCREW	1	
24	210750	GUIDE	1	
25	210751	SPRING	1	
26	211348	THREAD GUIDE/NEEDLE HOLDER	1	
☆27	211358	NEEDLE HOLDER	1	
☆28	XXXXXX	NEEDLE HOLDER/2-NEEDLE	1	
29	5292	SCREW	2	
☆30	XXXXXX	NEEDLE	1	
31	5292	SCREW	1	
☆32	XXXXXX	NEEDLE PLATE	1	
33	5484-HC	SCREW	2	
☆34	XXXXXX	NEEDLE GUARD (FRONT)	1	
35	5328	SCREW	1	
☆36	210724	NEEDLE GUARD (REAR)	1	
37	5501	SCREW	1	
38	210930	WASHER	1	
39	211392	BRACKET ASSEMBLY/NEEDLE PLATE	1	
40	5357	SCREW	2	
41	210922	NEEDLE PLATE SUPPORT COMPLETE	1	
42	5501	SCREW	2	
43	210898	WASHER	2	
44	210923	GUIDE	1	
45	1459	SCREW	1	
46	210084	NEEDLE GUARD BRACKET	1	
47	1175-3	SCREW	2	
☆48	XXXXXX	NEEDLE GUARD (REAR)	1	
49	1202	SCREW	1	



	Shim	NG
30	211452	0.8MM
	211453	1.2MM
	210516	1.5MM
	210516	2.0MM

1	2 pieces for 2-needle. For 3-thread overlock. (for stitch types 504, 512, 514)
9	For 2-thread overlock. (for stitch type 503)

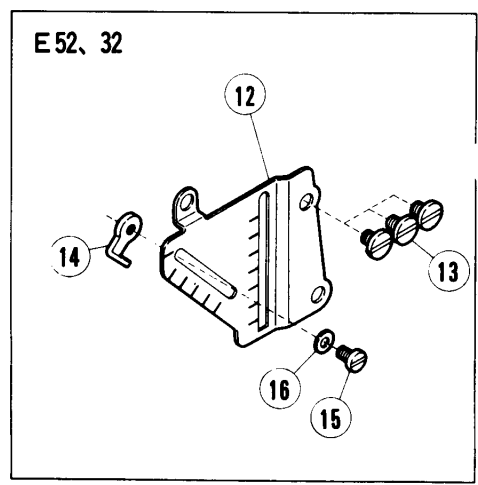
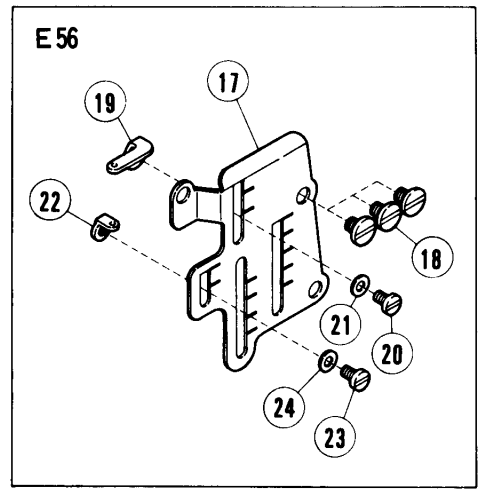
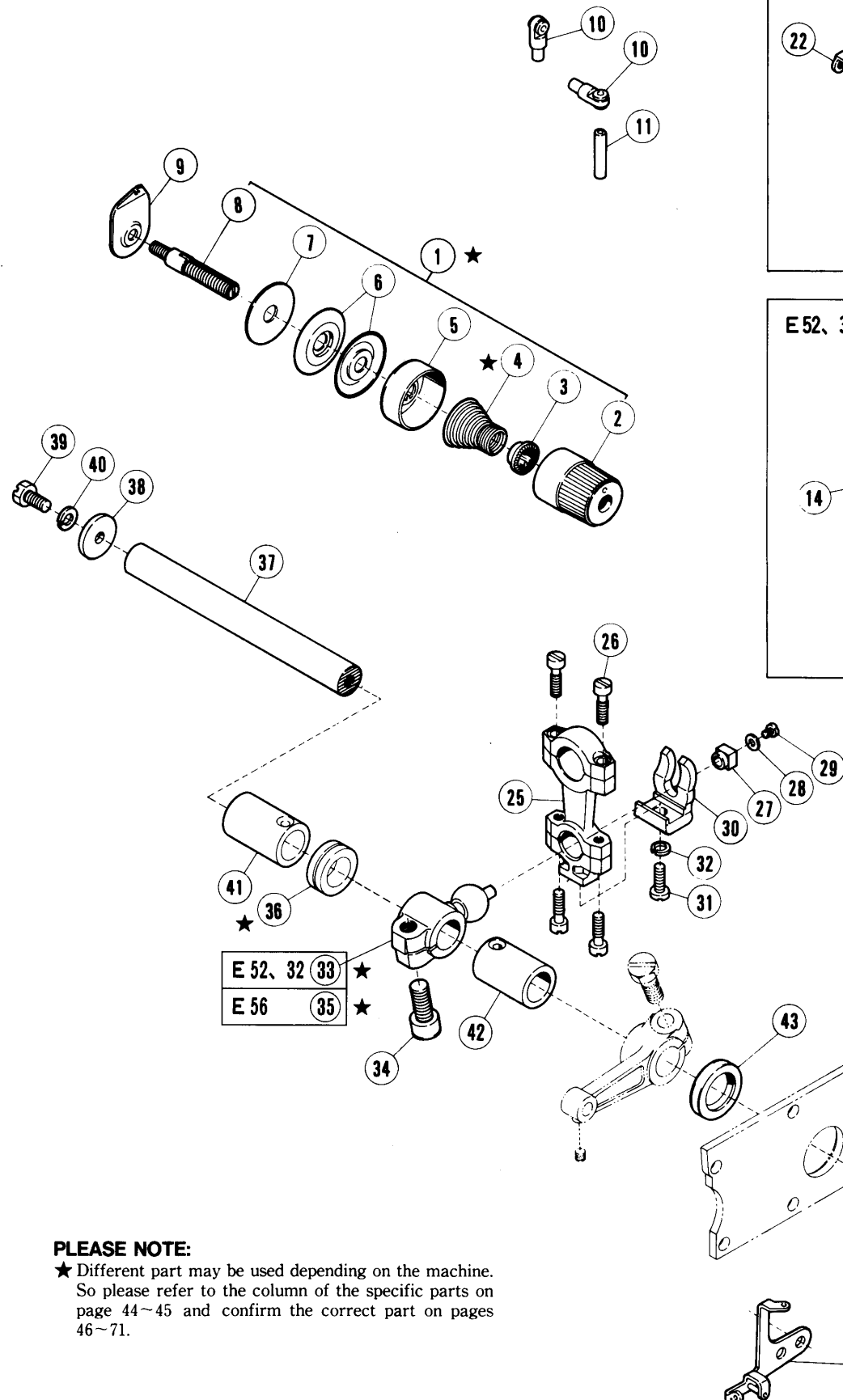
PLEASE NOTE:

★ Different part may be used depending on the machine.
So please refer to the column of the specific parts on
page 44~45 and confirm the correct part on pages
46~71.

☆ This is one of the gauge parts. Please confirm the
correct part by the charts on pages 78~147 or by the
lists on pages 148~160.

E56 NEEDLE DRIVE MECHANISM

REF. NO.	PART NO.	NAME	QT.	MEMO
★ 1	210529	TENSION NUT COMPLETE (HEAVY)	1	
2	208447	POST NUT	1	
3	208448	SPRING BUSHING	1	
★ 4	201037	TENSION SPRING (HEAVY)	1	
5	208450	CUP	1	
6	210319	DISC	2	
7	208449	FELT	1	
8	5082A	POST	1	
★ 9	210531	TENSION NUT COMPLETE (LIGHT)	1	
★10	201068	TENSION SPRING (LIGHT)	1	
11	202849	TENSION GUIDE/1 NDL	1	
12	210090	TENSION GUIDE/2 NDL	1	
13	210089	NEEDLE THREAD GUIDE RIGHT	1	
14	2905	SCREW	1	
15	210087	BRACKET	1	
16	5117	SCREW	1	
17	210088	NEEDLE THREAD GUIDE CENTER	1	
18	5117	SCREW	1	
19	210086	NEEDLE THREAD GUIDE LEFT	1	
20	5117	SCREW	1	
21	210070	NEEDLE ARM/1 NDL	1	
22	210071	NEEDLE ARM/2 NDL	1	
23	5485	SCREW	1	
☆24	XXXXXX	NEEDLE	1	
25	201031A	NEEDLE CLAMP/1 NDL	1	
☆26	XXXXXX	NEEDLE	2	
27	202273	NEEDLE CLAMP/2 NDL	1	
28	201239A	NEEDLE CLAMP SCREW	1	
29	3044	NUT	1	
30	210516	NEEDLE SHIM 1.5MM	1	
31	210085	NEEDLE THREAD TAKEUP	1	
32	1196	SCREW	1	
33	205737	WASHER	1	
34	210069	OIL SEAL	1	
35	210068	BUSHING	1	
36	201635	COLLAR	1	
37	5060	SCREW	2	
38	210066	SHAFT/NEEDLE DRIVE	1	
39	210063	CONNECTION/NEEDLE DRIVE	1	
40	5376	SCREW	2	
★41	210064	CRANK/NEEDLE DRIVE/STD LIFT	1	
42	5457	SCREW	1	
43	206180	THRUST WASHER	1	
44	210067	BUSHING	1	
☆45	XXXXXX	NEEDLE PLATE	1	
46	5484-HC	SCREW	2	
47	211392	BRACKET ASSEMBLY/NEEDLE PLATE	1	
48	5357	SCREW	2	
☆49	XXXXXX	NEEDLE GUARD FRONT/1 NDL	1	
50	5328	SCREW	1	
51	210922	NEEDLE PLATE SUPPORT COMPLETE	1	
52	5501	SCREW	2	
53	210898	WASHER	2	
54	210923	GUIDE	1	
55	1459	SCREW	1	
56	210084	NEEDLE GUARD BRACKET	1	
57	1175-3	SCREW	2	
☆58	XXXXXX	NEEDLE GUARD REAR	1	
59	1206	SCREW	1	

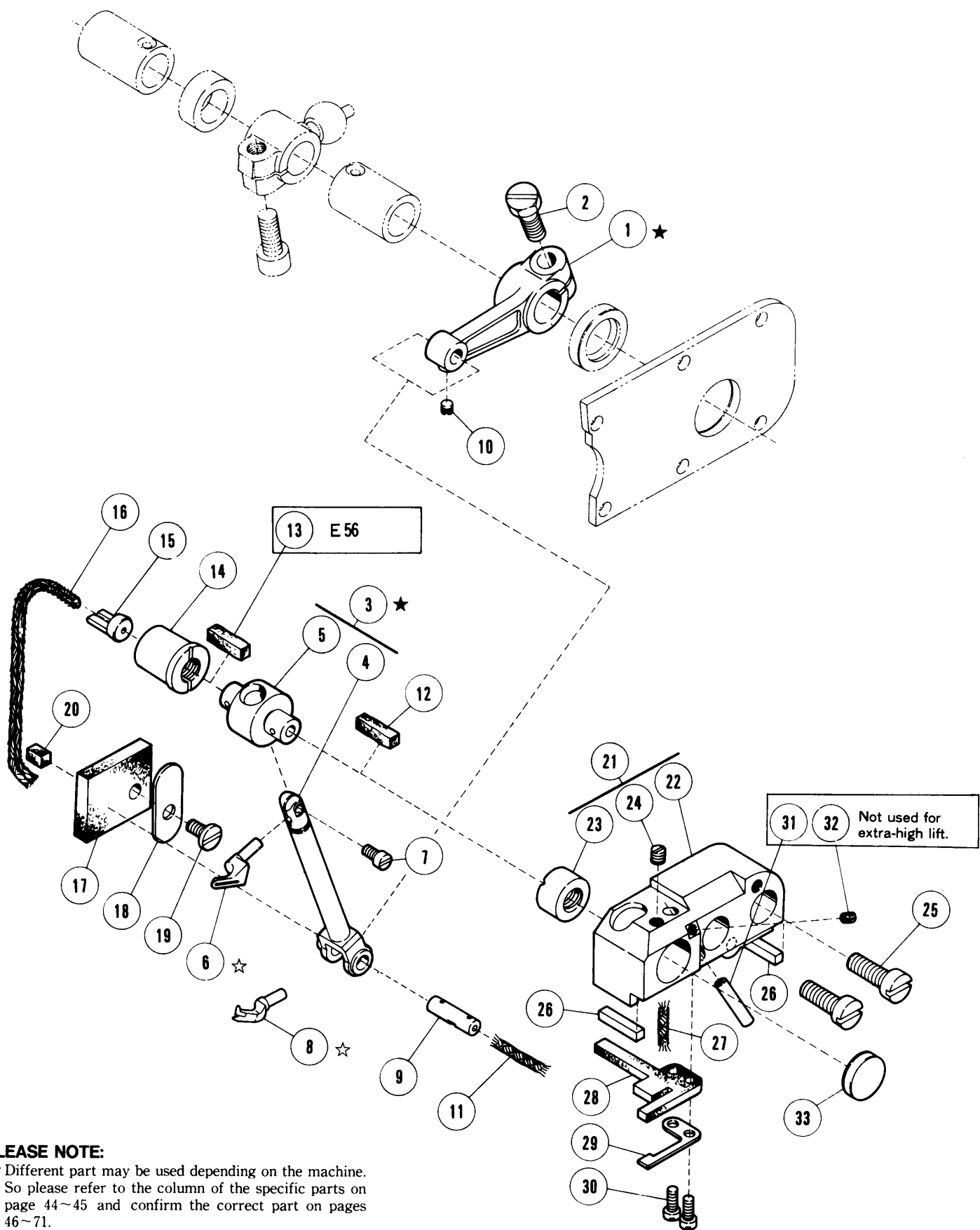


PLEASE NOTE:

★ Different part may be used depending on the machine.
 So please refer to the column of the specific parts on
 page 44~45 and confirm the correct part on pages
 46~71.

UPPER LOOPER DRIVE MECHANISM (1)

REF. NO.	PART NO.	NAME	QT.	MEMO
★ 1	210531	TENSION NUT COMPLETE (LIGHT)	1	
2	208447	POST NUT	1	
3	208448	SPRING BUSHING	1	
★ 4	201068	TENSION SPRING (LIGHT)	1	
5	208450	CUP	1	
6	210319	DISC	2	
7	208449	FELT	1	
8	5082A	POST	1	
9	202849	TENSION GUIDE	1	
10	201439A	EYELET	2	
11	204657	THREAD TUBE	1	
12	210349	LOOPER THREAD GUIDE PLATE	1	
13	2905	SCREW	3	
14	210350	UPPER LOOPER THREAD GUIDE	1	
15	5519	SCREW	1	
16	202875	WASHER	1	
17	210344	LOOPER THREAD GUIDE PLATE	1	
18	2905	SCREW	3	
19	210345	UPPER LOOPER THREAD GUIDE	1	
20	2921	SCREW	1	
21	202875	WASHER	1	
22	202860	THREAD GUIDE	1	
23	2921	SCREW	1	
24	202875	WASHER	1	
25	210091	CONNECTION/UPPER LOOPER DRIVE	1	
26	5376	SCREW	4	
27	210093	BLOCK/CONNECTION	1	
28	210585	WASHER	1	
29	1231	SCREW	1	
30	210092	GUIDE/CONNECTION	1	
31	5546	SCREW	1	
32	202286	WASHER	1	
★33	210733	CRANK/UPPER LOOPER/STD LIFT	1	
34	5457	SCREW	1	
★35	210098	WASHER	1	
★36	206180	THRUST WASHER	1	
37	210099	SHAFT/UPPER LOOPER DRIVE	1	
38	210100	WASHER	1	
39	2193	SCREW	1	
40	202286	WASHER	1	
41	210102	BUSHING	1	
42	210101	BUSHING	1	
43	210103	OIL SEAL	1	
★44	210351	UPPER LOOPER THREAD TAKEUP	1	
45	210346	UPPER LOOPER THREAD TAKEUP	1	
46	2902	SCREW	1	



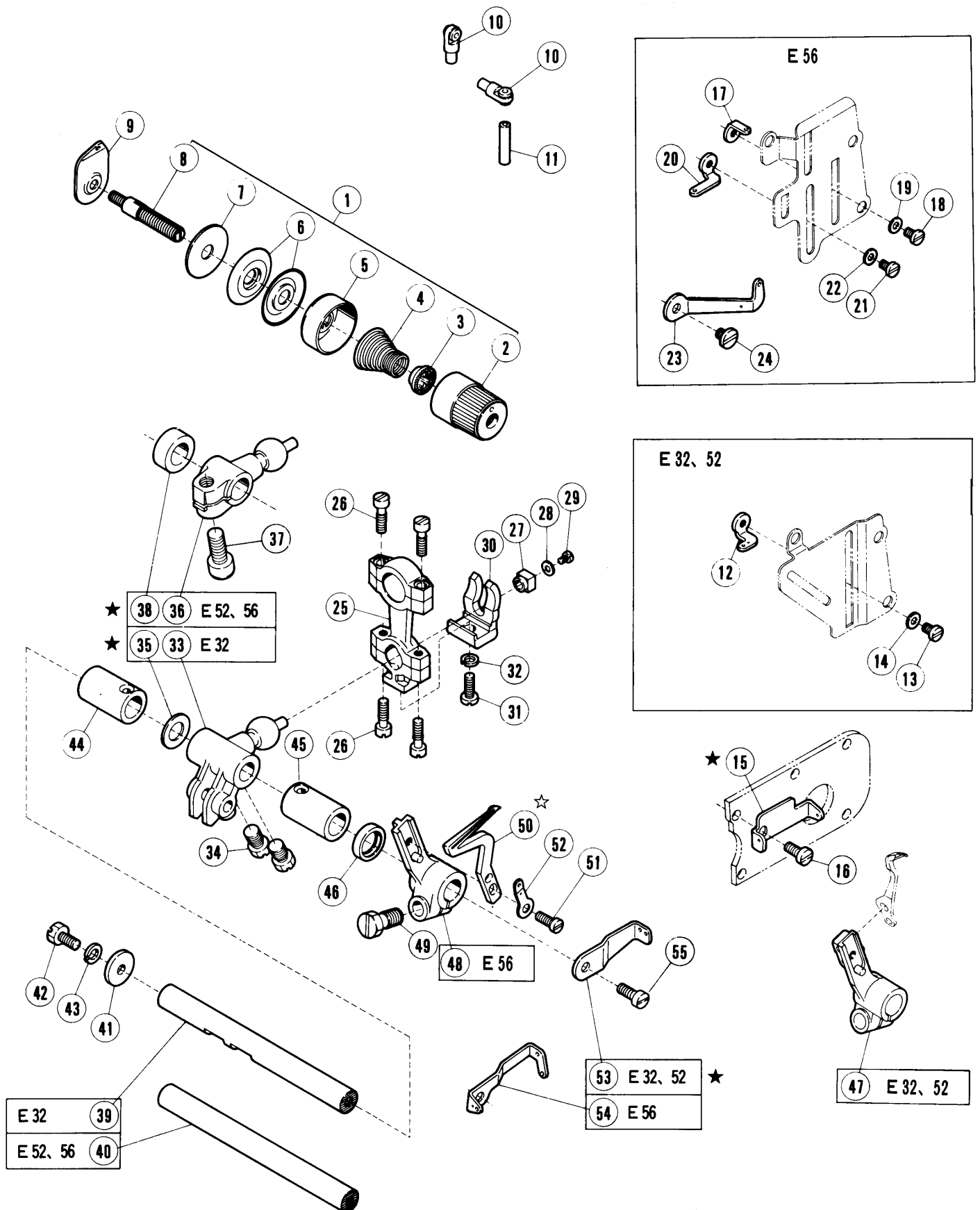
PLEASE NOTE:

★ Different part may be used depending on the machine. So please refer to the column of the specific parts on page 44~45 and confirm the correct part on pages 46~71.

☆ This is one of the gauge parts. Please confirm the correct part by the charts on pages 78~147 or by the lists on pages 148~160.

UPPER LOOPER DRIVE MECHANISM (2)

REF. NO.	PART NO.	NAME	QT.	MEMO
★ 1	210104	LEVER/UPPER LOOPER HOLDER	1	
2	5284	SCREW	1	
★ 3	210748	UPPER LOOPER HOLDER ASSEMBLY	1	
4	210106	UPPER LOOPER HOLDER	1	
5	210107	GUIDE/UPPER LOOPER HOLDER	1	
☆ 6	XXXXXX	UPPER LOOPER	1	
7	1998-2	SCREW	1	
☆ 8	XXXXXX	SPREADER	1	
9	210105	PIN	1	
10	5292	SCREW	1	
11	202175	OIL WICK	1	
12	204274	OIL FELT	1	
13	204274	OIL FELT	1	
14	210110	BUSHING	1	
15	210111	OIL RELEASE PLUG	1	
16	202174	OIL WICK	1	
17	210112	OIL FELT	1	
18	210113	SET PLATE	1	
19	4009-1	SCREW	1	
20	210721	OIL FELT	1	
21	211995	UPPER LOOPER HOLDER BASE	1	
22	210108	BASE/UPPER LOOPER HOLDER GUIDE	1	
23	210109	BUSHING	1	
24	5408	SCREW	1	
25	5282	SCREW	2	
26	210118	GASKET	2	
27	202175	OIL WICK	1	
28	212116	OIL FELT	1	
29	210115	SET PLATE	1	
30	5012	SCREW	2	
31	204657	THREAD TUBE	1	
32	5292	SCREW	1	
33	208173	CAP	1	



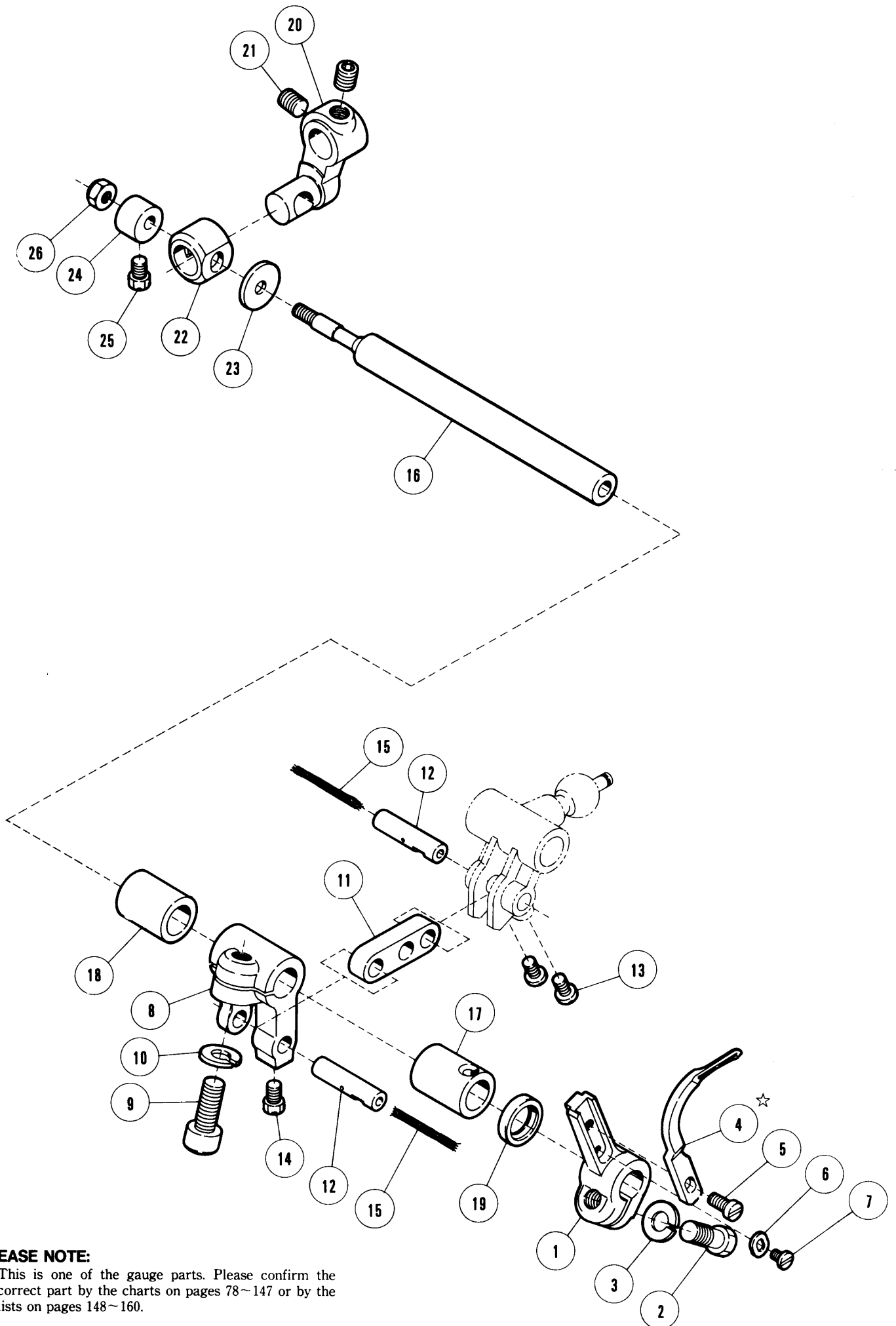
PLEASE NOTE:

★ Different part may be used depending on the machine. So please refer to the column of the specific parts on page 44~45 and confirm the correct part on pages 46~71.

☆ This is one of the gauge parts. Please confirm the correct part by the charts on pages 78~147 or by the lists on pages 148~160.

LOWER LOOPER DRIVE MECHANISM

REF. NO.	PART NO.	NAME	QT.	MEMO
1	210530	TENSION NUT COMPLETE (MEDIUM)	1	
2	208447	POST NUT	1	
3	208448	SPRING BUSHING	1	
4	201086	TENSION SPRING (MEDIUM)	1	
5	208450	CUP	1	
6	210319	DISC	2	
7	208449	FELT	1	
8	5082A	POST	1	
9	202849	TENSION GUIDE	1	
10	201439A	EYELET	2	
11	204657	THREAD TUBE	1	
12	211391	THREAD GUIDE RIGHT	1	
13	5519	SCREW	1	
14	202875	WASHER	1	
★15	211402	THREAD GUIDE CENTER	1	
16	5441	SCREW	1	
17	201089	THREAD GUIDE (RIGHT)	1	
18	5519	SCREW	1	
19	202875	WASHER	1	
20	202859	THREAD GUIDE (CENTER)	1	
21	5519	SCREW	1	
22	202875	WASHER	1	
23	210347	LOWER LOOPER THREAD GUIDE	1	
24	4009-1	SCREW	1	
25	210091	CONNECTION/LOWER LOOPER DRIVE	1	
26	5376	SCREW	4	
27	210093	BLOCK/CONNECTION	1	
28	210585	WASHER	1	
29	1231	SCREW	1	
30	210092	GUIDE/CONNECTION	1	
31	5546	SCREW	1	
32	202286	WASHER	1	
★33	210736	CRANK/LOWER LOOPER DRIVE/H LFT	1	
34	2022-4	SCREW	2	
★35	204789	THRUST WASHER	1	
★36	210734	CRANK/LOWER LOOPER DRIVE/S LFT	1	
37	5457	SCREW	1	
★38	210122	WASHER	1	
39	210281	SHAFT/LOWER LOOPER LEVER	1	
40	210123	SHAFT/LOWER LOOPER LEVER	1	
41	204107	THRUST WASHER	1	
42	2193	SCREW	1	
43	202286	WASHER	1	
44	210125	BUSHING	1	
45	210124	BUSHING	1	
46	210586	OIL SEAL	1	
47	210725	LOWER LOOPER LEVER/FOR 210724	1	
48	210126	LOWER LOOPER LEVER	1	
49	5487	SCREW	1	
☆50	XXXXXX	LOWER LOOPER	1	
51	1175-2	SCREW	1	
52	210353	THREAD GUIDE (LEFT)	1	
★53	211401	LOWER LOOPER THREAD TAKEUP	1	
54	210348	LOWER LOOPER THREAD TAKEUP	1	
55	2902	SCREW	1	

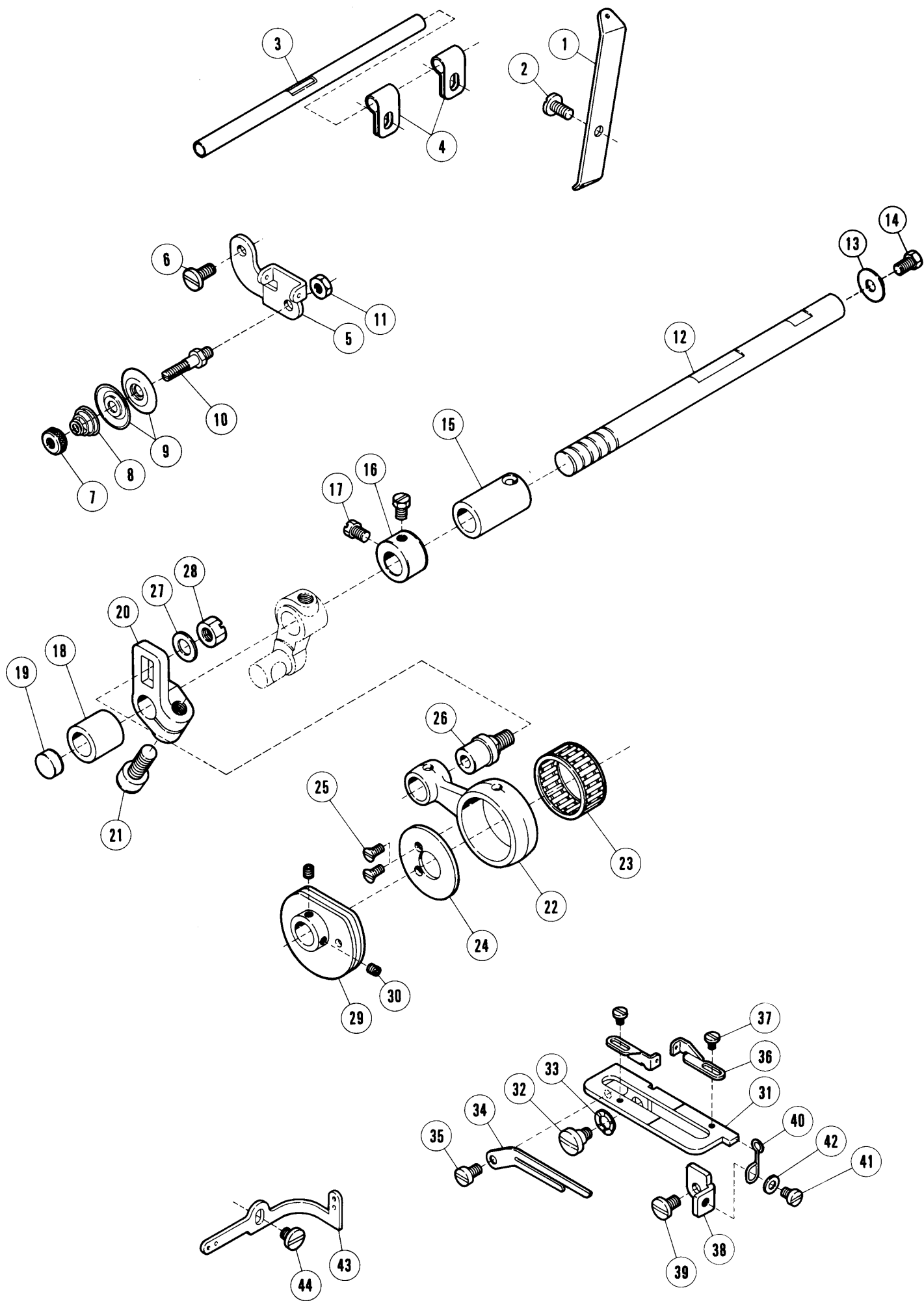


PLEASE NOTE:

☆ This is one of the gauge parts. Please confirm the correct part by the charts on pages 78~147 or by the lists on pages 148~160.

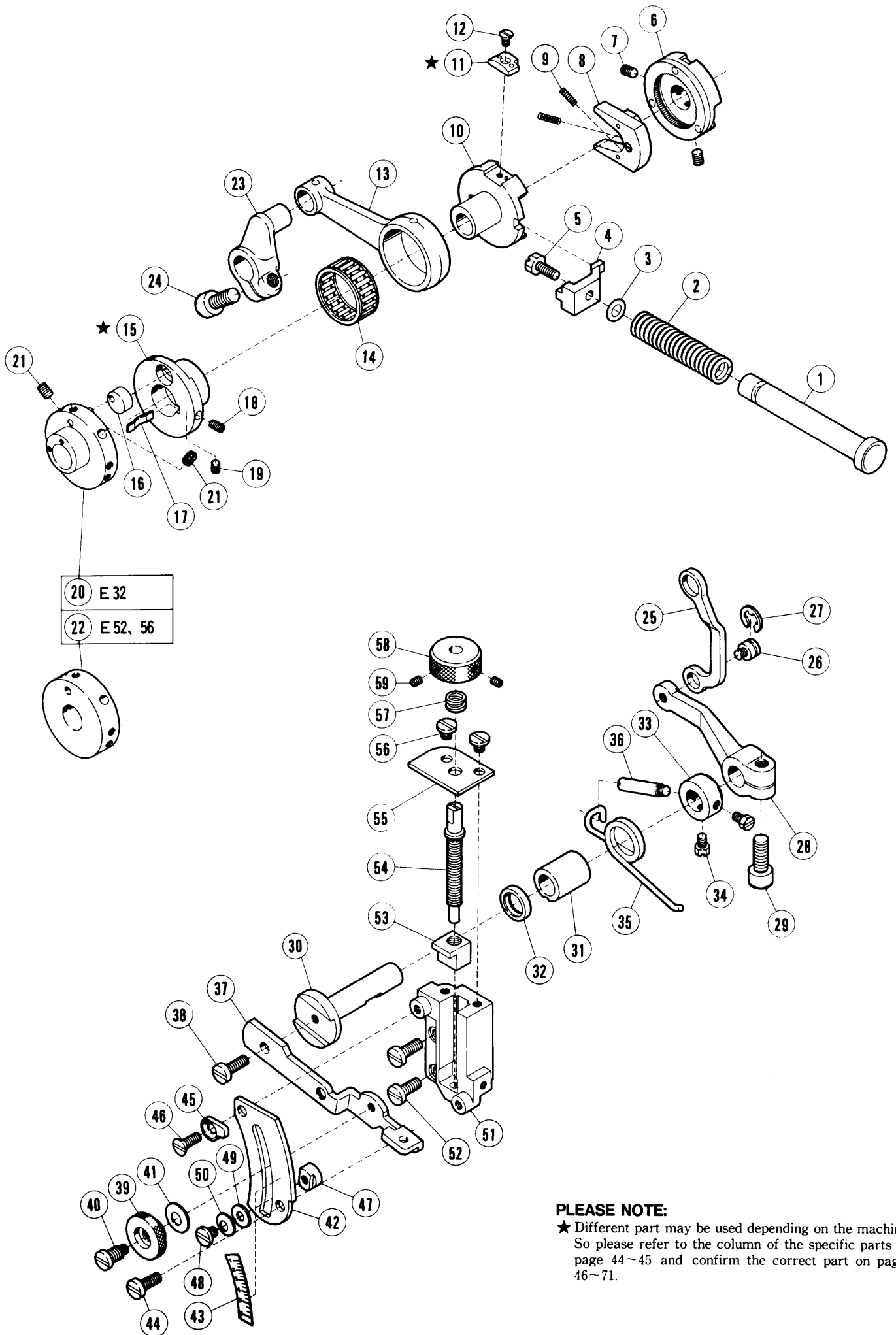
E32 CHAINSTITCH LOOPER DRIVE MECHANISM (1)

REF. NO.	PART NO.	NAME	QT.	MEMO
1	210298	LOOPER HOLDER	1	
2	5487	SCREW	1	
3	204293	WASHER	1	
☆ 4	210357	CHAINSTITCH LOOPER	1	
5	1175-2	SCREW	1	
6	210299	LOOPER REGULATOR	1	
7	2922	SCREW	1	
8	210294	CRANK/LOOPER DRIVE	1	
9	5457	SCREW	1	
10	204293	WASHER	1	
11	208194	LINK/LOOPER DRIVE	1	
12	208195	PIN	2	
13	5328	SCREW	2	
14	5084	SCREW	1	
15	202176	OIL WICK	2	
16	208196	SHAFT/LOOPER DRIVE	1	
17	210296	BUSHING	1	
18	210297	BUSHING	1	
19	210586	OIL SEAL	1	
20	210288	LEVER/LOOPER AVOID	1	
21	5461	SCREW	2	
22	210289	BLOCK	1	
23	208028	WASHER	1	
24	208029	COLLAR	1	
25	5084	SCREW	1	
26	5353	NUT	1	



E32 CHAINSTITCH LOOPER DRIVE MECHANISM (2)

REF. NO.	PART NO.	NAME	QT.	MEMO
1	210309	LOOPER THREAD GUIDE REAR	1	
2	5458	SCREW	1	
3	210310	LOOPER THREAD TUBE	1	
4	206115	TUBE CLAMP	2	
5	211386	BRACKET/LOOPER THREAD TENSION	1	
6	5459	SCREW	1	
7	5526	NUT	1	
8	211388	TENSION SPRING	1	
9	137108	DISC	2	
10	211387	TENSION POST	1	
11	3044	NUT	1	
12	212029	SHAFT/LOOPER AVOID	1	
13	204107	THRUST COLLAR	1	
14	2193	SCREW	1	
15	210125	BUSHING	1	
16	210293	COLLAR	1	
17	5084	SCREW	2	
18	210292	BUSHING	1	
19	205088	PLUG	1	
20	210287	CRANK/LOOPER AVOID	1	
21	5457	SCREW	1	
22	210284	CONNECTION/LOOPER AVOID	1	
23	205015	NEEDLE BEARING	1	
24	210283	COLLAR	1	
25	5495	SCREW	2	
26	210285	PIN	1	
27	202433	WASHER	1	
28	5455	NUT	1	
29	210300	LOOPER THREAD TAKEUP	1	
30	5292	SCREW	2	
31	210304	LOOPER THREAD GUIDE BRACKET	1	
32	5494	SCREW	1	
33	210307	WASHER	1	
34	210302	GUIDE/LOOPER THREAD TAKEUP	1	
35	1216	SCREW	1	
36	210303	EYELET/LOOPER THREAD TAKEUP	2	
37	5077	SCREW	2	
38	210308	STOPPER	1	
39	5453	SCREW	1	
40	210306	SPRING	1	
41	1234	SCREW	1	
42	137906	WASHER	1	
43	210311	LOOPER THREAD GUIDE FRONT	1	
44	4009-1	SCREW	1	

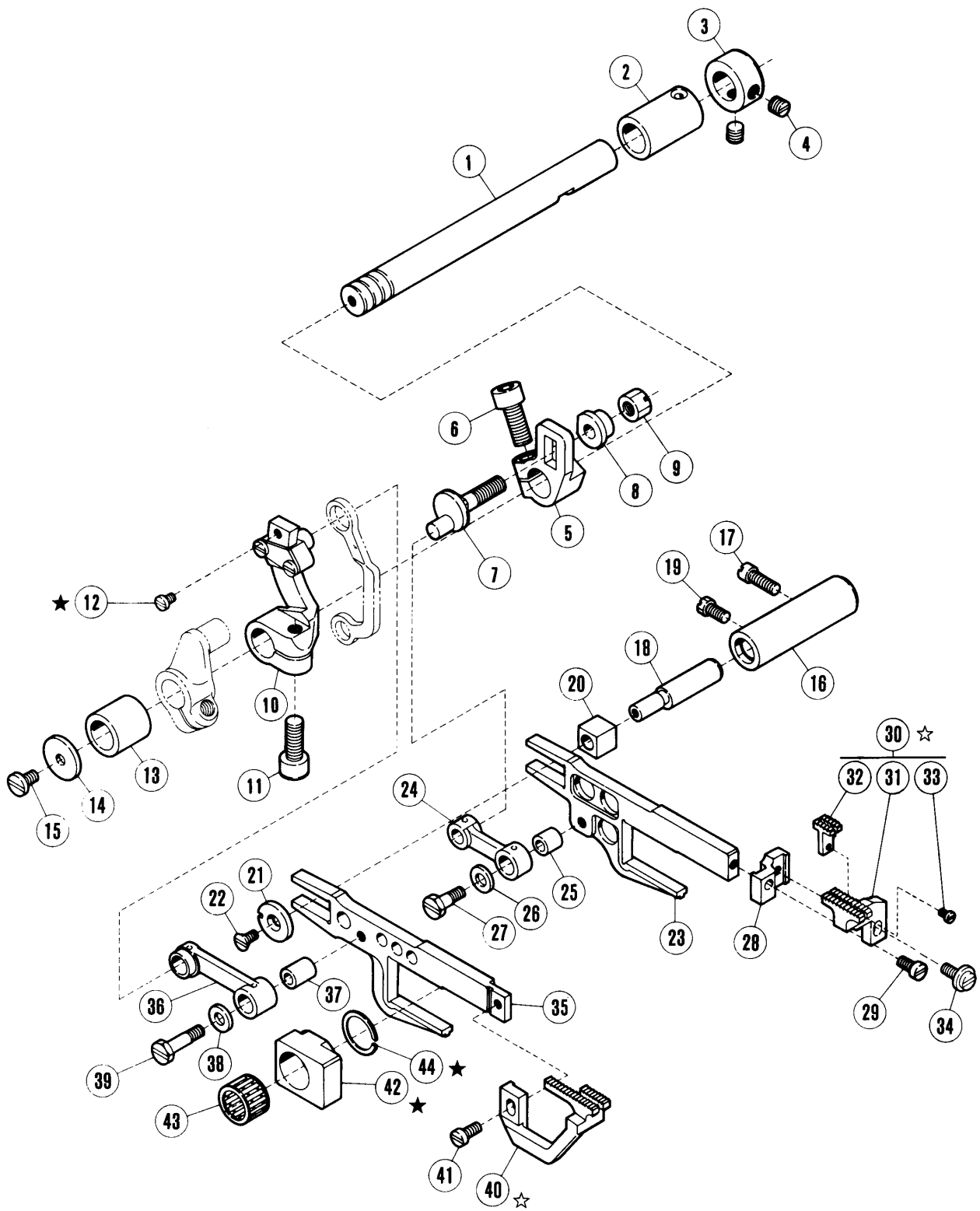


PLEASE NOTE:

★ Different part may be used depending on the machine. So please refer to the column of the specific parts on page 44~45 and confirm the correct part on pages 46~71.

FEED MECHANISM (1)

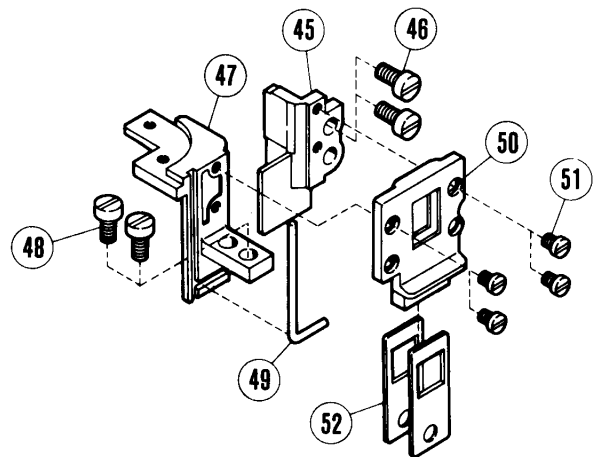
REF. NO.	PART NO.	NAME	QT.	MEMO
1	210137	PUSH BUTTON	1	
2	210139	SPRING	1	
3	204185	O RING	1	
4	210138	STOPPER	1	
5	2193	SCREW	1	
6	210136	RATCHET WHEEL COMPLETE	1	
7	5461	SCREW	2	
8	208411	FEED REGULATING RATCHET	1	
9	208415	SPRING	2	
10	211802	FEED REGULATING ECCENTRIC	1	
★11	211804	STOPPER	1	
12	5437	SCREW	1	
13	210140	CONNECTION/FEED DRIVE	1	
14	204084	NEEDLE BEARING	1	
★15	210127	FEED ECCENTRIC	1	
16	210129	GUIDE/FEED ECCENTRIC	1	
17	210130	SPRING	1	
18	5427	SCREW	1	
19	5292	SCREW	1	
20	210282	LOOPER AVOID ECCENTRIC	1	
21	5461	SCREW	2	
22	210128	FEED ECCENTRIC RETAINER	1	
23	210141	CRANK/FEED DRIVE	1	
24	5457	SCREW	1	
25	210161	LINK/DIFF. FEED REGULATING	1	
26	5316	SCREW	1	
27	202522	RING	1	
28	210162	RIGHT LEVER/DIFF. FEED REG.	1	
29	5457	SCREW	1	
30	210163	SHAFT/DIFF. FEED REGULATING	1	
31	210164	BUSHING	1	
32	204052A	OIL SEAL	1	
33	204754	THRUST COLLAR	1	
34	5084	SCREW	2	
35	204756	SPRING/DIFF. FEED REG.	1	
36	204757	LATCH SCREW	1	
37	210166	LEFT LEVER/DIFF. FEED REG.	1	
38	5117	SCREW	1	
39	210167	THUMB NUT	1	
40	5486	SCREW	1	
41	211301	SPRING WASHER	1	
42	210168	DIFF. FEED REG. GUIDE	1	
43	210170	INDICATION PLATE	1	
44	5117	SCREW	1	
45	210700	STOPPER	1	
46	1732	SCREW	1	
47	210171	STOPPER	1	
48	2905	SCREW	1	
49	201185	WASHER	1	
50	201191	WASHER	1	
51	211314	DIFF FEED REG. BASE	1	
52	5118	SCREW	2	
53	210535	BLOCK/DIFF. FEED REGULATING	1	
54	210172	DIFF FEED REGULATING BAR	1	
55	210534	GUIDE/DIFF. FEED REG. BAR	1	
56	5091	SCREW	2	
57	210533	SPRING	1	
58	210532	THUMB NUT	1	
59	5292	SCREW	2	



PLEASE NOTE:

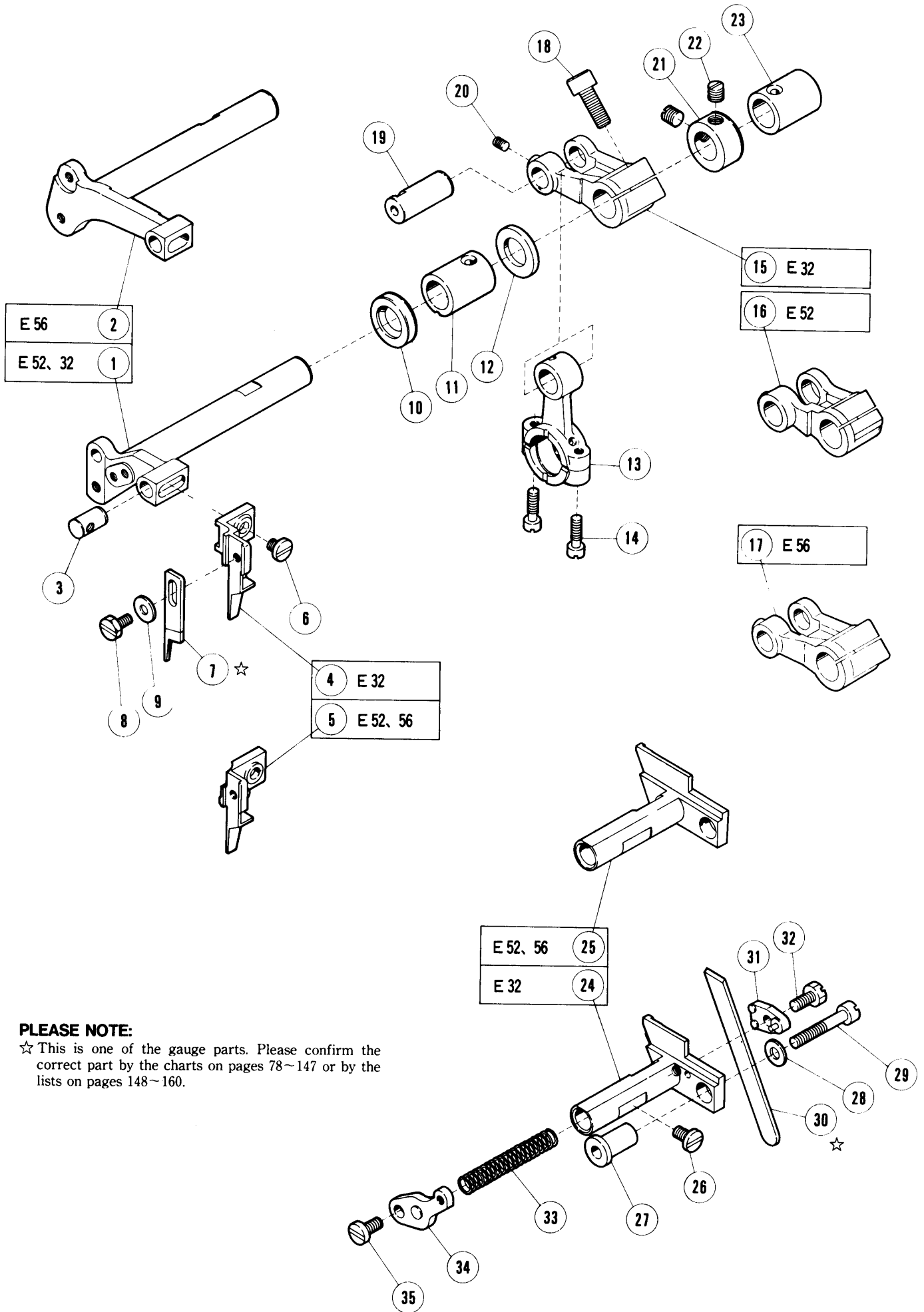
★ Different part may be used depending on the machine.
So please refer to the column of the specific parts on
page 44~45 and confirm the correct part on pages
46~71.

☆ This is one of the gauge parts. Please confirm the
correct part by the charts on pages 78~147 or by the
lists on pages 148~160.



FEED MECHANISM(2)

REF. NO.	PART NO.	NAME	QT.	MEMO
1	212028	FEED SHAFT	1	
2	210102	BUSHING	1	
3	201635	COLLAR	1	
4	5060	SCREW	2	
5	210144	CRANK/MAIN FEED	1	
6	5457	SCREW	1	
7	210145	PIN	1	
8	210146	WASHER	1	
9	5455	NUT	1	
10	210152	CRANK COMPLETE/DIFF. FEED	1	
11	5457	SCREW	1	
12	5346	SCREW	1	
13	210143	BUSHING	1	
14	210100	WASHER	1	
15	4009-1	SCREW	1	
16	204129A	BUSHING	1	
17	2133-1	SCREW	1	
18	204128A	FEED BAR PIN	1	
19	5084	SCREW	1	
20	205418	BLOCK/FEED BAR GUIDE	1	
21	204439A	WASHER	1	
22	5317	SCREW	1	
23	210154	MAIN FEED BAR	1	
24	210147	LINK/MAIN FEED	1	
25	210148	BUSHING	1	
26	204115	THRUST WASHER	1	
27	5489	SCREW	1	
28	210343	BRACKET/MAIN FEED DOG	1	
29	1175-2	SCREW	1	
☆30	XXXXXX	MAIN FEED DOG COMPLETE	1	
☆31	XXXXXX	MAIN FEED DOG	1	
☆32	XXXXXX	AUX. FEED DOG	1	
33	5492	SCREW	1	
34	5590	SCREW	1	
35	210155	DIFF FEED BAR	1	
36	210153	LINK/DIFF. FEED	1	
37	204114	BUSHING	1	
38	208245	WASHER	1	
39	5231	SCREW	1	
☆40	XXXXXX	DIFF. FEED DOG	1	
41	1175-2	SCREW	1	
★42	210156	BLOCK/FEED BAR LIFT	1	
43	206128	NEEDLE BEARING	1	
★44	206129	STOP RING	1	
45	210157	FEED BAR GUIDE RIGHT	1	
46	5205	SCREW	2	
47	210158	FEED BAR GUIDE LEFT	1	
48	2902	SCREW	2	
49	208168	O RING	1	
50	210160	GUIDE/FEED BAR OIL SEAL	1	
51	5346	SCREW	4	
52	210159	FEED BAR OIL SEAL	2	

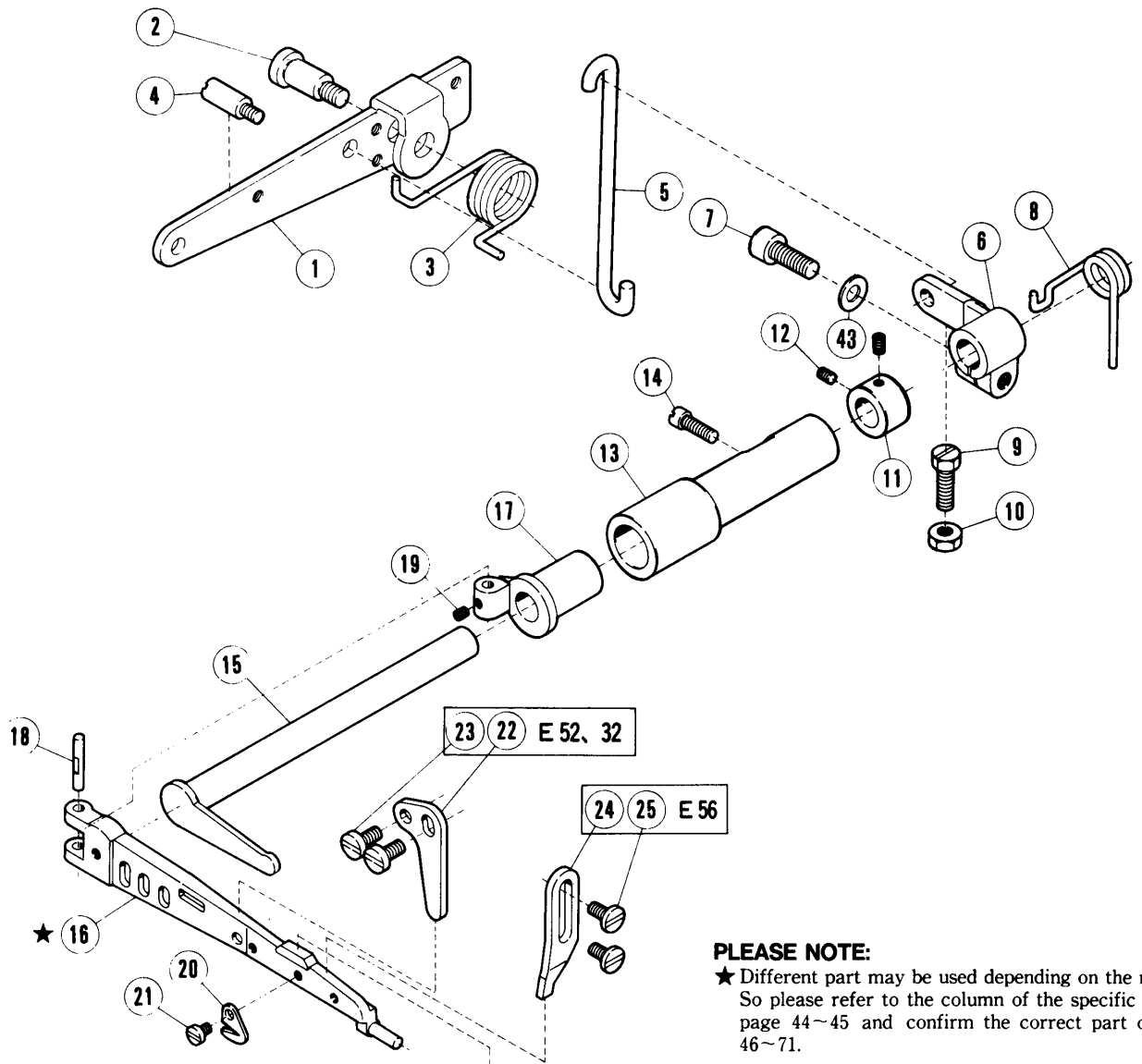


PLEASE NOTE:

☆ This is one of the gauge parts. Please confirm the correct part by the charts on pages 78~147 or by the lists on pages 148~160.

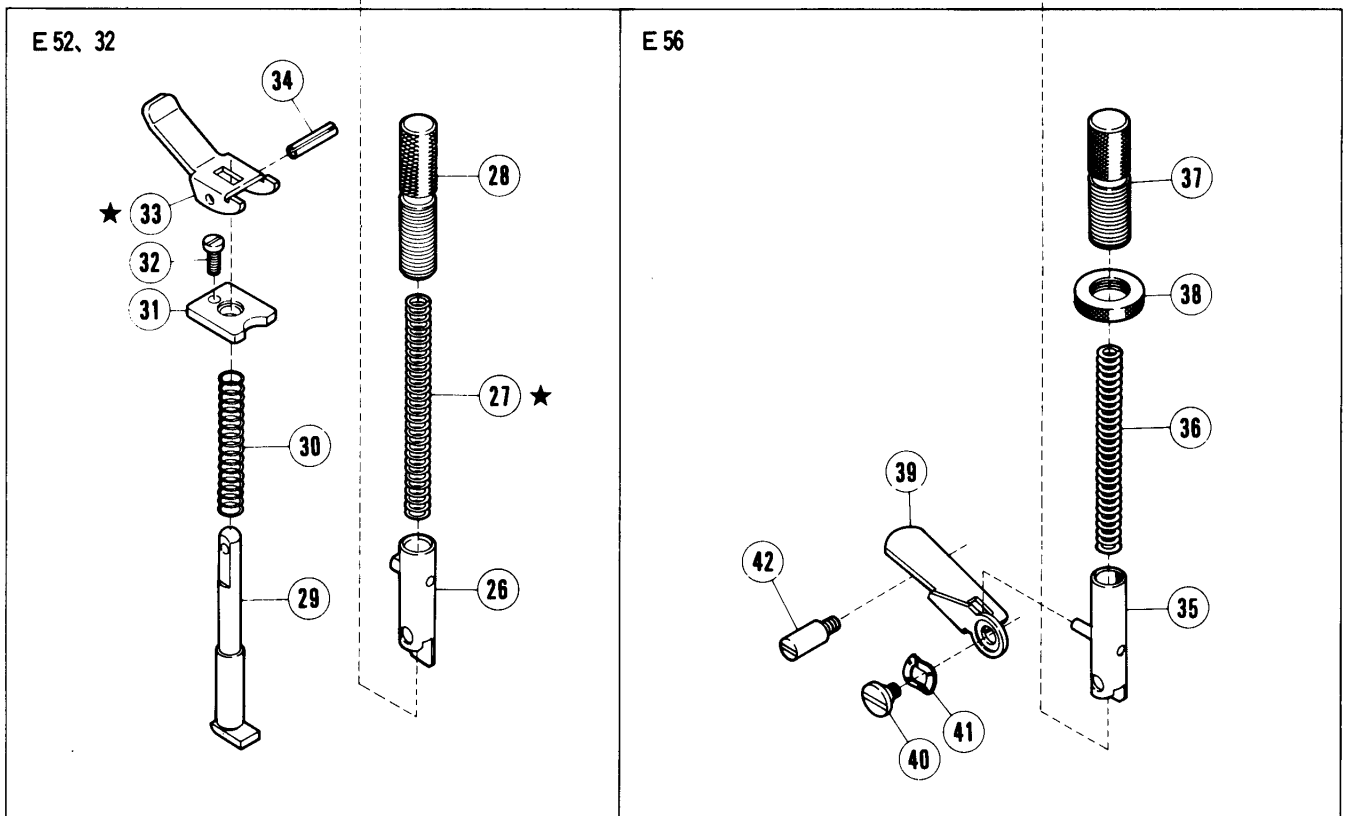
KNIFE DRIVE MECHANISM

REF. NO.	PART NO.	NAME	QT.	MEMO
1	210269	UPPER KNIFE LEVER	1	
2	210176	UPPER KNIFE LEVER	1	
3	208579	PIN	1	
4	210315B	UPPER KNIFE CLAMP	1	
5	210178A	UPPER KNIFE CLAMP		
6	5118	SCREW	1	
☆ 7	XXXXXX	UPPER KNIFE	1	
8	5088	SCREW	1	
9	211376	WASHER	1	
10	210069	OIL SEAL	1	
11	210068	BUSHING	1	
12	206180	THRUST WASHER	1	
13	210173	CONNECTION/UPPER KNIFE DRIVE	1	
14	5376	SCREW	2	
15	210314	CRANK/UPPER KNIFE DRIVE	1	
16	210268	CRANK/UPPER KNIFE DRIVE	1	
17	210174	CRANK/UPPER KNIFE DRIVE		
18	5457	SCREW	1	
19	210175	PIN	1	
20	5461	SCREW	1	
21	201635	COLLAR	1	
22	5060	SCREW	2	
23	210067	BUSHING	1	
24	210316	LOWER KNIFE HOLDER	1	
25	210179	LOWER KNIFE HOLDER	1	
26	4009-1	SCREW	1	
27	210180	GUIDE LOWER KNIFE HOLDER	1	
28	201185	WASHER	1	
29	5094	SCREW	1	
☆ 30	XXXXXX	LOWER KNIFE	1	
31	210184	CLAMP/LOWER KNIFE	1	
32	2193	SCREW	1	
33	202340	SPRING	1	
34	210183	SPRING RETAINER	1	
35	5117	SCREW	1	



PLEASE NOTE:

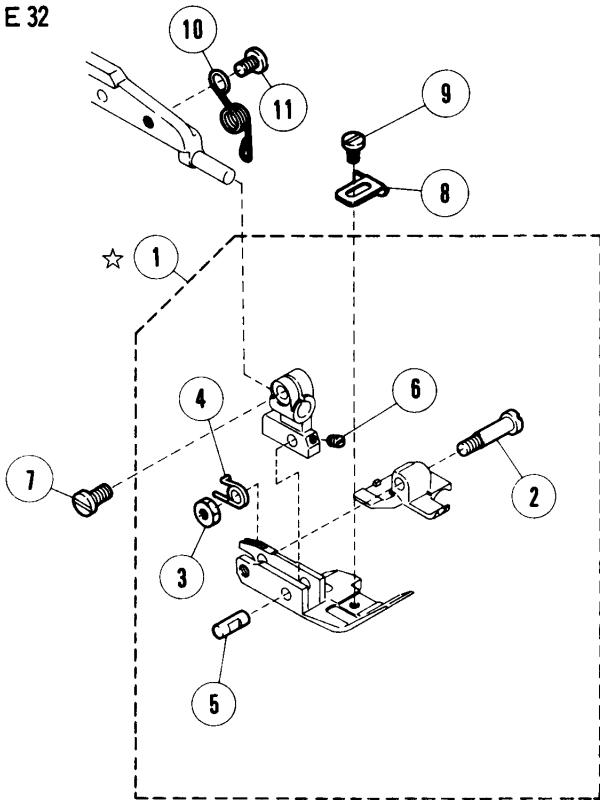
★ Different part may be used depending on the machine. So please refer to the column of the specific parts on page 44~45 and confirm the correct part on pages 46~71.



PRESSER FOOT MECHANISM (1)

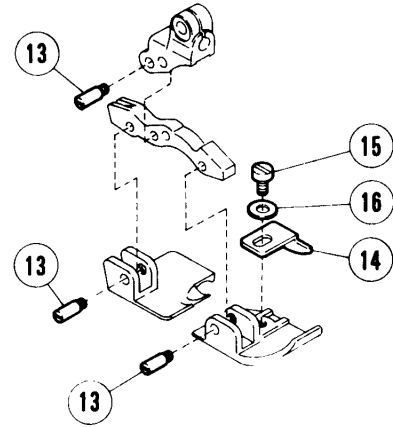
REF. NO.	PART NO.	NAME	QT.	MEMO
1	211636	FOOT LIFT LEVER	1	
2	2285	SCREW	1	
3	211637	SPRING	1	
4	5481	SCREW	1	
5	210335	LINK/FOOT LIFT LEVER	1	
6	210329	INTERMEDIATE LEVER	1	
7	5457	SCREW	1	
8	210330	SPRING	1	
9	5276	SCREW	1	
10	5426	NUT	1	
11	210728	THRUST COLLAR	1	
12	5292	SCREW	2	
13	210727	BUSHING	1	
14	2133-1	SCREW	1	
15	210326	SHAFT/FOOT LIFT	1	
★16	210321	PRESSER ARM	1	
17	210322	HINGE/PRESSER ARM	1	
18	210323	PIN	1	
19	5292	SCREW	1	
20	202451	CHAINCUTTER	1	
21	2921	SCREW	1	
22	210517	STOPPER/PRESSER ARM	1	
23	5117	SCREW	2	
24	210325	STOPPER/PRESSER ARM	1	
25	4009-1	SCREW	2	
26	208537	PRESSER ARM GUIDE	1	
★27	210337	SPRING	1	
28	208774	THUMB SCREW	1	
29	202645	PLUNGER	1	
30	201395	SPRING	1	
31	208599	BUSHING	1	
32	5029	SCREW	1	
★33	208598	HAND LIFT LEVER	1	
34	202647A	PIN	1	
35	210336	PRESSER ARM GUIDE	1	
36	210337	SPRING	1	
37	210324	ADJUST SCREW	1	
38	210328	ADJUST SCREW NUT	1	
39	210338	HAND LIFT LEVER	1	
40	5554	SCREW	1	
41	210307	WASHER	1	
42	5232	PIN-SCREW	1	
43	207924	WASHER	1	

E 32

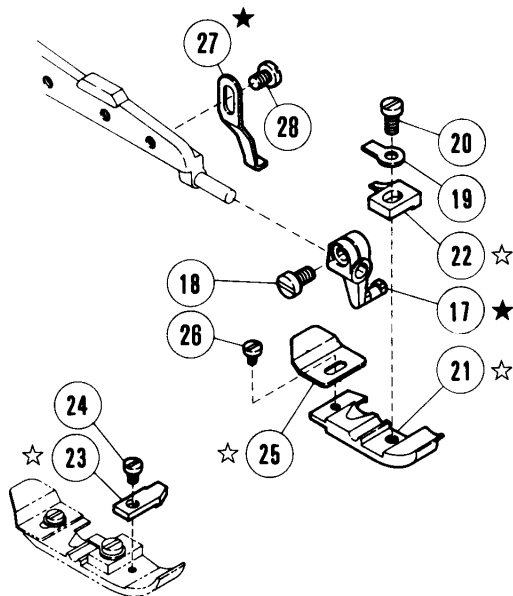


12 ☆

E32 TRACTOR FOOT

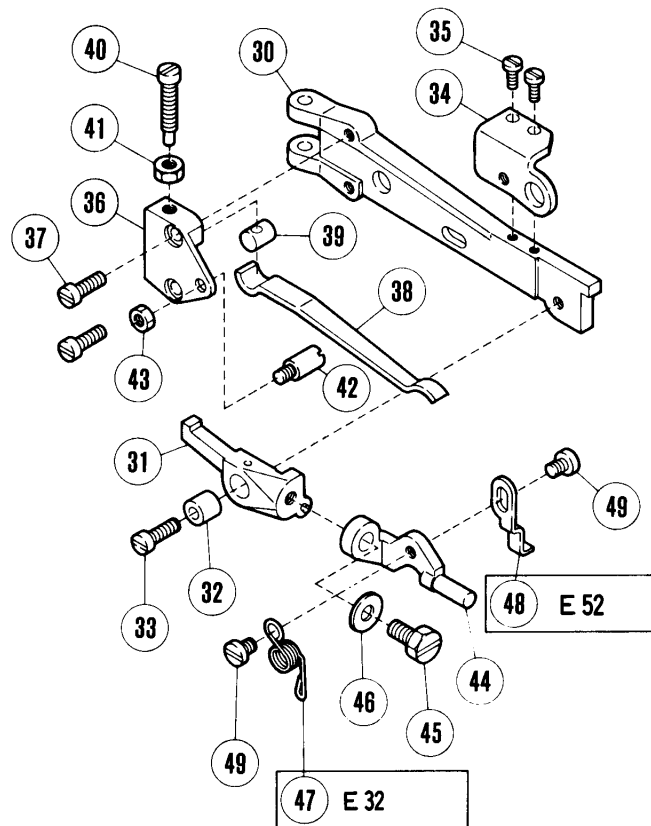


E 52, 56



29

E32/E52 FLOATING PRESSER ARM



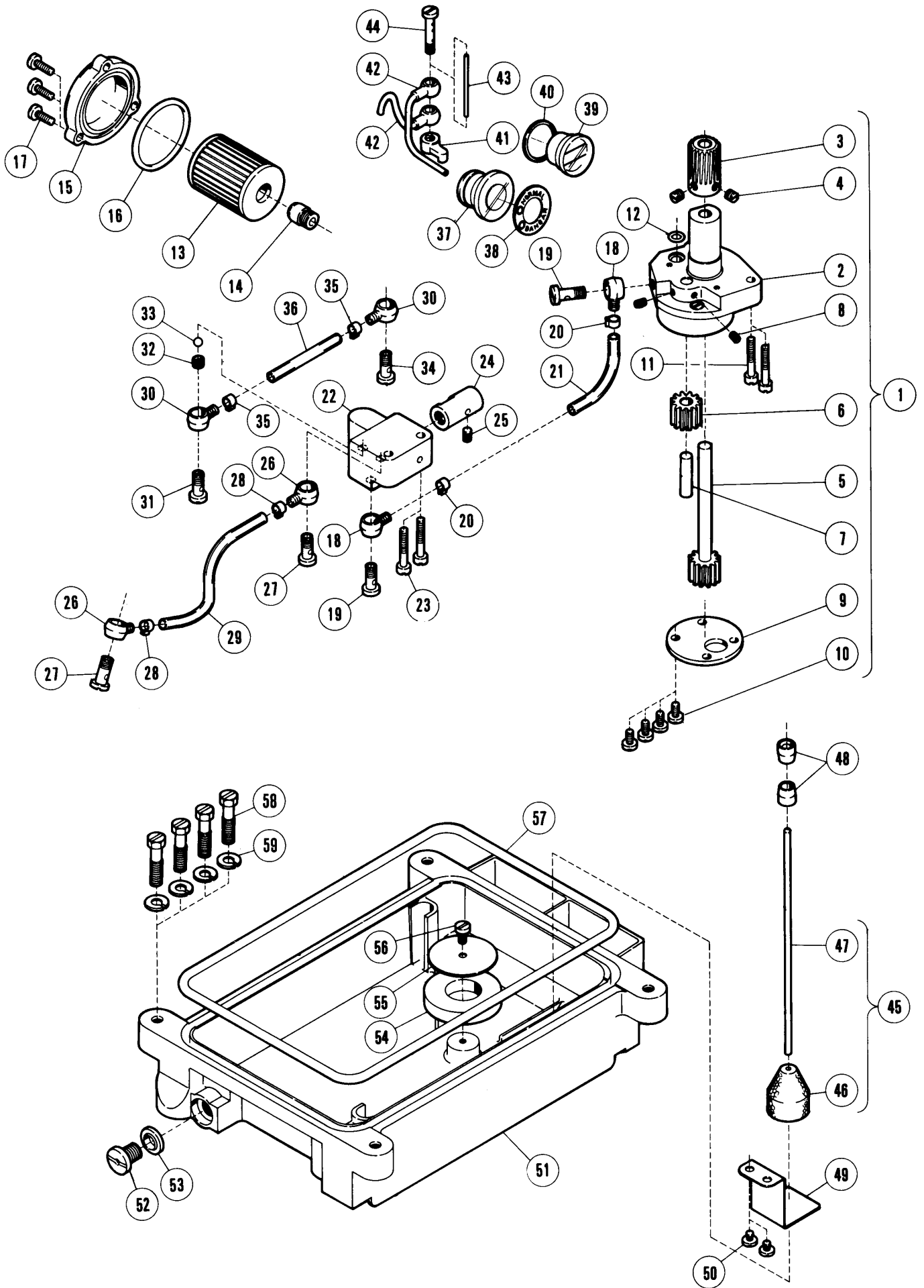
PLEASE NOTE:

★ Different part may be used depending on the machine. So please refer to the column of the specific parts on page 44~45 and confirm the correct part on pages 46~71.

☆ This is one of the gauge parts. Please confirm the correct part by the charts on pages 78~147 or by the lists on pages 148~160.

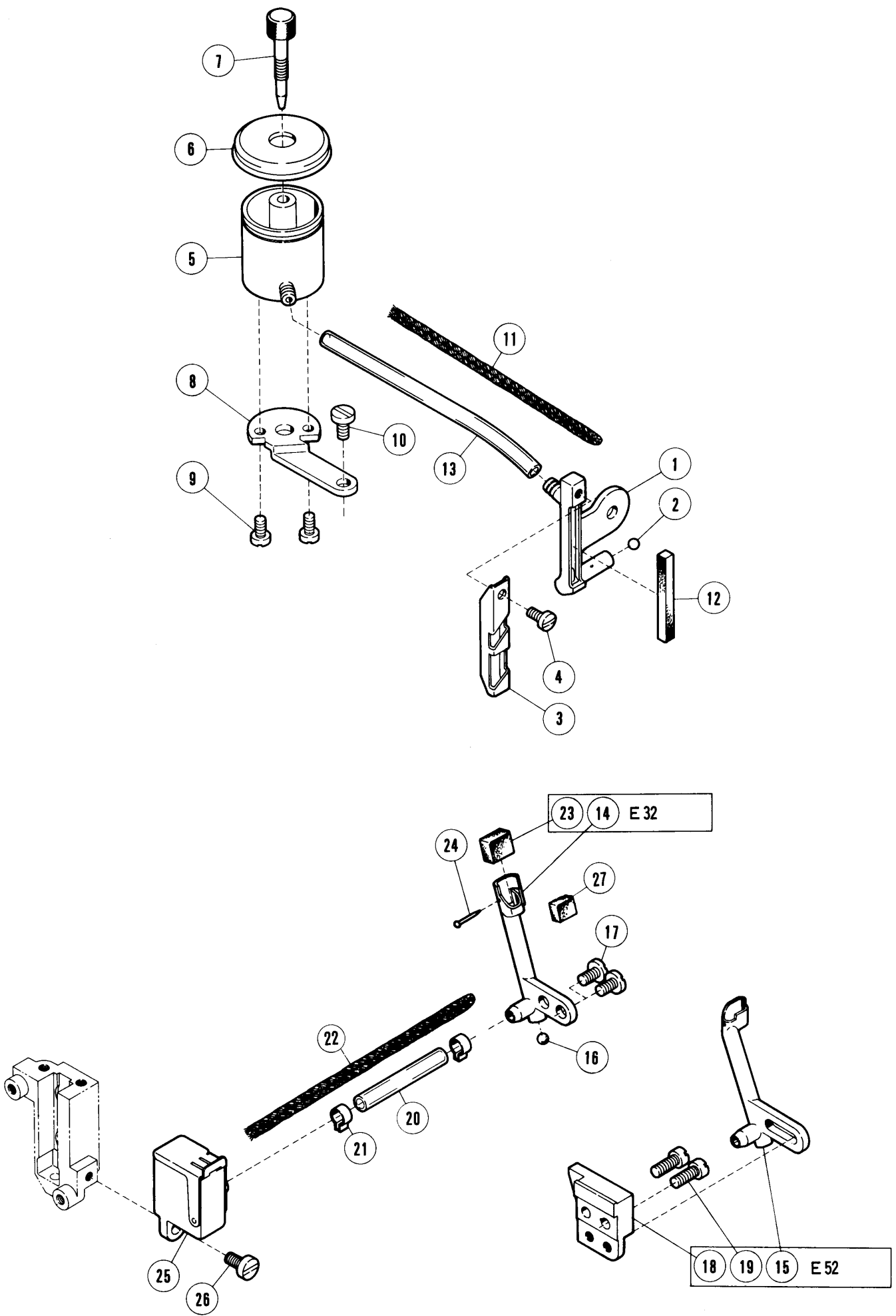
PRESSER FOOT MECHANISM (2)

REF. NO.	PART NO.	NAME	QT.	MEMO
☆ 1	XXXXXX	PRESSER FOOT COMPLETE	1	
2	208528	HINGE PIN	1	
3	5409	NUT	1	
4	208913	SPRING	1	
5	208527	PIN	1	
6	5223	SCREW	1	
7	5328	SCREW	1	
8	208531	FABRIC GUARD	1	
9	5030	SCREW	1	
10	210341	PRESSER FOOT SPRING	1	
11	2921	SCREW	1	
☆12	XXXXXX	TRACTOR FOOT COMPLETE	1	
13	208958	PIN-SCREW	1	
14	204683	FABRIC GUARD	1	
15	5157	SCREW	1	
16	202875	WASHER	1	
★17	208525	BRACKET/PRESSER FOOT	1	
18	5328	SCREW	1	
19	201156	SET PLATE/PRESSER FOOT	1	
20	5089	SCREW	1	
☆21	XXXXXX	PRESSER FOOT		
☆22	XXXXXX	FINGER	1	
☆23	XXXXXX	FABRIC GUARD	1	
24	1231	SCREW	1	
☆25	XXXXXX	UNCURLER	1	
26	5030	SCREW	1	
★27	210340	STOPPER	1	
28	2921	SCREW	1	
29	211568	FLOATING PRESSER ARM	1	
30	211509	PRESSER ARM	1	
31	211510	LEVER	1	
32	211511	BUSHING	1	
33	5003	SCREW	1	
34	211512	LEVER HOLDER	1	
35	2922	SCREW	2	
36	211513	BRACKET	1	
37	5003	SCREW	2	
38	211514	FLAT SPRING	1	
39	211515	PIN	1	
40	5538	SCREW	1	
41	3091	NUT	1	
42	5539	SCREW	1	
43	5409	NUT	1	
44	211516	BRACKET	1	
45	2193	SCREW	1	
46	201185	WASHER	1	
47	211517	SPRING	1	
48	209314	STOPPER	1	
49	2921	SCREW	1	



LUBRICATING MECHANISM

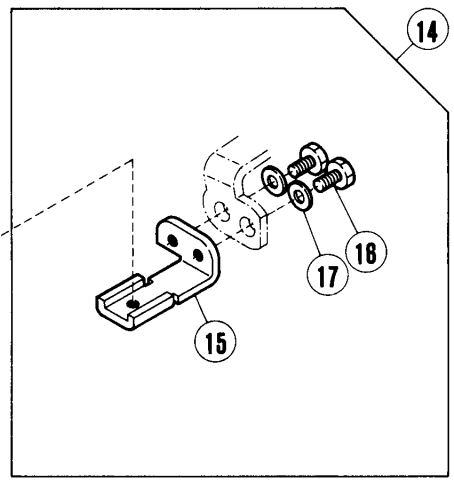
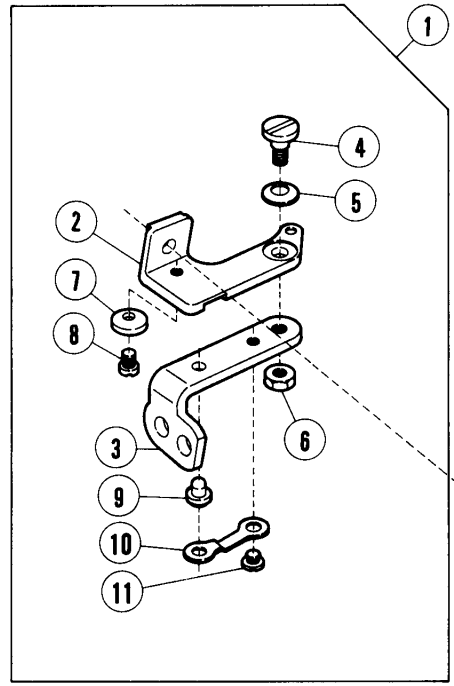
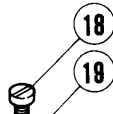
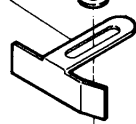
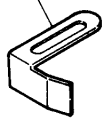
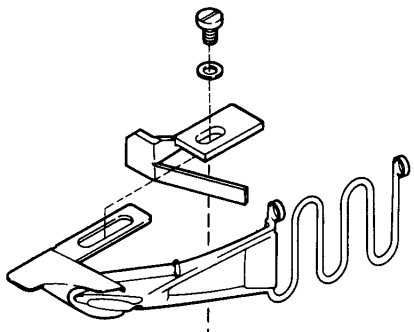
REF. NO.	PART NO.	NAME	QT.	MEMO
1	211532	GEAR PUMP COMPLETE	1	
2	210188	GEAR PUMP	1	
3	211531	WORM WHEEL	1	
4	5060	SCREW	2	
5	208687	PUMP GEAR RIGHT	1	
6	201295	PUMP GEAR LEFT	1	
7	204184	LEFT GEAR SHAFT	1	
8	1458	SCREW	2	
9	201293A	PLATE	1	
10	5117	SCREW	4	
11	5095	SCREW	2	
12	204185	O RING	1	
13	206233	OIL FILTER	1	
14	210200	BRACKET/OIL FILTER	1	
15	210201-FD	OIL FILTER CAP	1	
16	206431	O RING	1	
17	5118	SCREW	3	
18	200136	OIL SPLASH JOINT	2	
19	200152	OIL SPLASH SCREW	2	
20	202199	TUBE CLAMP	2	
21	210701	BY-PASS PIPE	1	
22	210207	BY-PASS COMPLETE	1	
23	5095	SCREW	2	
24	205635	BY-PASS VALVE	1	
25	1458	SCREW	1	
26	200136	OIL SPLASH JOINT	2	
27	200152	OIL SPLASH SCREW	2	
28	202199	TUBE CLAMP	2	
29	205763	OIL TUBE	1	
30	200136	OIL SPLASH JOINT	2	
31	200152	OIL SPLASH SCREW	1	
32	210744	BRACKET/OIL FLOW VALVE	1	
33	200144	BALL	1	
34	200152	OIL SPLASH SCREW	1	
35	202199	TUBE CLAMP	2	
36	210208	OIL TUBE	1	
37	210198	OIL MONITOR COMPLETE	1	
38	210199	NAME PLATE/OIL MONITOR	1	
39	210190	OIL LEVEL GAUGE	1	
40	211369	WASHER/OIL LEVEL GAUGE	1	
41	210202	LUBRICATION BLOCK	1	
42	210203	OIL DISTRIBUTOR	2	
43	210205	OIL FLOW ADJUST PIN	1	
44	210204	SCREW	1	
45	210193	INDICATOR COMPLETE	1	
46	210191	FLOAT	1	
47	210192	INDICATOR	1	
48	210194	INDICATOR GUIDE	2	
49	210510	INDICATOR SUPPORT	1	
50	2905	SCREW	2	
51	210211	OIL RESERVOIR	1	
52	5138B	SCREW	1	
53	202287A	PACKING	1	
54	210520	MAGNET	1	
55	210521	MAGNET BRACKET	1	
56	5117	SCREW	1	
57	210212	O RING	1	
58	5133	BOLT	4	
59	202045	WASHER	4	



H.R. DEVICE

REF. NO.	PART NO.	NAME	QT.	MEMO
1	211315-ME	NEEDLE THREAD LUBRICATOR	1	
2	210214	PLUG	1	
3	211316	THREAD GUIDE	1	
4	1202	SCREW	1	
5	202476-1	SILICONE OIL RESERVOIR	1	
6	202476-4	CAP	1	
7	202476-3	SILICONE OIL REGULATOR	1	
8	211317	BRACKET	1	
9	1202	SCREW	2	
10	5117	SCREW	1	
11	202176	OIL WICK	1	
12	211318	OIL FELT	1	
13	211319	OIL TUBE	1	
14	210317	NEEDLE COOLER	1	
15	210213	NEEDLE COOLER	1	
16	210214	PLUG	1	
17	5091	SCREW	2	
18	210215	BRACKET/NEEDLE COOLER	1	
19	5002	SCREW	2	
20	211639	OIL TUBE	1	
21	202199	TUBE CLAMP	2	
22	202176	OIL WICK	1	
23	204466	OIL FELT	1	
24	210766	PIN	1	
25	210539	SILICONE RESERVOIR COMPLETE	1	
26	5459	SCREW	1	
27	240178	FELT	1	

E 52, E 56	20
E 32	21



FABRIC EDGE GUIDE

REF. NO.	PART NO.	NAME	QT.	MEMO
1	210685	CLOTH GUIDE BRACKET ASSEMBLY	1	
2	210680	CLOTH GUIDE BRACKET	1	
3	210681	HINGE	1	
4	5184	SCREW	1	
5	201191	WASHER	1	
6	3044	NUT	1	
7	210682	STOPPER	1	
8	5053	SCREW	1	
9	210683	HINGE PIN	1	
10	210684	HINGE SPRING	1	
11	2906	SCREW	1	
12	5118	SCREW	1	
13	202286	WASHER	1	
14	210686	BRACKET COMPLETE/EDGE GUIDE	1	
15	210687	EDGE GUIDE BRACKET	1	
16	5088	SCREW	2	
17	167066	WASHER	2	
18	1202	SCREW	1	
19	167066	WASHER	1	
20	204667	EDGE GUIDE	1	
21	201233A	EDGE GUIDE	1	

SPECIFIC PARTS ①
GAUGE PARTS ②

E32	①	②
E32-355	52-53	96-97
" 359	"	"
" 555	"	"
" 559	"	"
515-E32-410 /211-	————	78-79
" 410 /212-	————	"
" 410A /212-	50-51	"
" 410B /212-	"	"
" 411 /232-	————	82-83
" 420 /213-	————	80-81
" 420A /213-	50-51	"
" 420B /213-	"	"
" 430 /233-	————	82-83
" 431 /233-	50-51	"
" 440 /255-	————	84-85
" 450 /335-	50-51	86-87
" 451 /355-	"	"
" 452 /435-	"	"
" 453 /455-	"	"
" 540 /233-	46-47	88-89
" 541 /335-	46-49	"
" 542 /253-	46-47	90-91
" 542P1/253-	46-49	92-93
" 542P2/253-	"	"
" 543 /355-	"	90-91
" 550 /213-	52-53	94-95
" 551 /233-	"	"

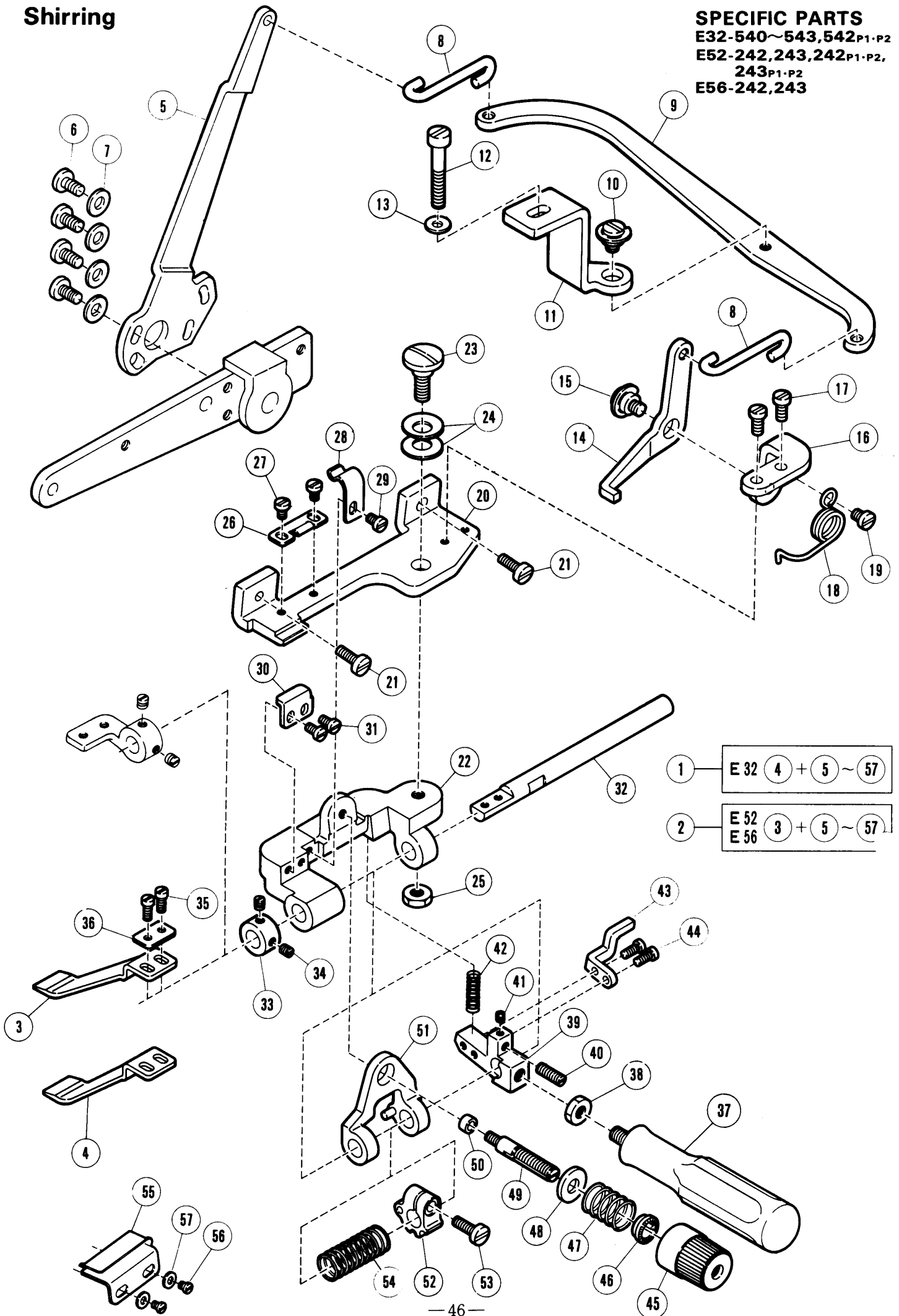
SPECIFIC PARTS ①
GAUGE PARTS ②

E52	①	②
504-E52-121 /233-W	60-61	98-99
" 121 /243-N	"	"
" 121T /243-N	"	"
" 130 /253-W	—	102-103
" 130 /263-N	—	100-101
" 130P1/253-W	56-57	120-121
" 130P2/253-W	"	"
" 130T /263-N	60-61	100-101
512-E52-131 /353-W	"	104-105
514-E52-131 /353-W	"	"
" 131P1/353-W	56-57	120-121
" 131P2/353-W	"	"
" 132 /363-W	60-61	104-105
" 133 /363-N	"	"
" 133Z /363-N	—	"
504-E52-134 /233-W	—	114-115
512-E52-135 /373-W	60-61	106-107
504-E52-136 /253-W	—	102-103
514-E52-137 /323-N	60-61	108-109
" 140 /385-W	"	106-107
504-E52-141 /463-W	62-63	110-111
512-E52-142 /463-W	"	"
514-E52-142 /463-W	"	"
505-E52-210 /223-N	54-55	112-113
" 210C /223-N	"	"
503-E52-211 /223-N	"	"
505-E52-212 /223-N	"	"
503-E52-220 /233-W	66-67	114-115
504-E52-221 /365-W	—	116-117
503-E52-223 /203-W	66-67	"
504-E52-227 /485-W	—	"
503-E52-230 /233-W	—	118-119
504-E52-230 /233-W	—	"
" 231 /223-N	—	"
" 242 /253-W	46-47	122-123
" 242 /263-W	"	"
" 242P1/253-W	46-49	"
" 242P2/253-W	"	"
512-E52-243 /353-W	"	124-125
" 243 /363-W	"	"
514-E52-243 /353-W	"	"
" 243 /363-W	"	"
" 243P1/353-W	"	"
" 243P2/353-W	"	"
" 250 /363-N	62-63	126-127
" 250C /363-N	"	"
512-E52-252 /463-W	"	"
514-E52-252 /463-W	"	"
504-E52-260 /303-W	64-65	128-129
" 261 /403-W	"	"
" 350P1/253-W	58-59	120-121
" 350P2/253-W	"	"
514-E52-351P1/353-W	"	"
" 351P2/353-W	"	"

E56	①	②
504-E56-110/102-W	68-69	130-131
" 111/102-W	"	"
514-E56-120/243-N	—	136-137
504-E56-121/233-W	68-69	132-133
" 121/243-N	"	"
" 130/253-W	—	134-135
" 130/263-N	—	"
512-E56-131/253-W	—	136-137
514-E56-131/253-W	—	"
" 132/263-W	—	"
" 133/263-N	—	"
504-E56-134/233-W	—	132-133
" 136/253-W	—	134-135
505-E56-210/223-N	54-55	138-139
503-E56-211/223-N	"	"
" 220/233-W	66-67	"
" 223/203-W	"	"
" 230/133-W	68-69	140-141
" 230/233-W	"	"
" 231/123-N	"	"
504-E56-231/123-N	"	"
" 232/100-W	"	142-143
" 233/102-W	"	"
505-E56-234/204-N	"	"
504-E56-242/253-W	46-47	144-145
" 242/263-W	"	"
512-E56-243/253-W	"	"
" 243/263-W	"	"
514-E56-243/253-W	"	"
" 243/263-W	"	"
521-E56-270/100-N	70-71	146-147
505-E56-271/100-N	"	"
521-E56-272/202-N	"	"

Shirring

SPECIFIC PARTS
 E32-540~543,542P1-P2
 E52-242,243,242P1-P2,
 243P1-P2
 E56-242,243



1	E 32	4 + 5	~ 57
2	E 52 E 56	3 + 5	~ 57

SHIRRING ATTACHMENT

SPECIFIC PARTS

E32-540~543,542P1·P2

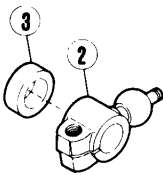
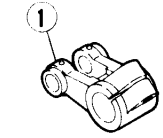
E52-242,243,242P1·P2,243P1·P2

E56-242,243

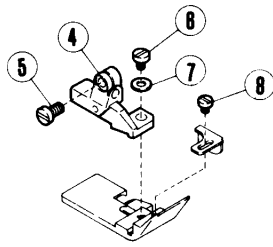
REF. NO.	PART NO.	NAME	QT.	MEMO
1	211101	SHIRRING ATTACHMENT	1	
2	211100	SHIRRING ATTACHMENT	1	
3	210954	BLADE		
4	210953	BLADE	1	
5	211092	LEVER	1	
6	2193	SCREW	4	
7	200098	WASHER	4	
8	211093	LINK	2	
9	211094	LEVER	1	
10	5316	PIN SCREW	1	
11	211095	BRACKET	1	
12	5094	SCREW	1	
13	137142	WASHER	1	
14	211096	LEVER	1	
15	5316	PIN SCREW	1	
16	211097	BRACKET	1	
17	5142	SCREW	2	
18	211098	SPRING	1	
19	1234	SCREW	1	
20	210935	BRACKET	1	
21	5118	SCREW	2	
22	210936	BRACKET	1	
23	5513	SCREW	1	
24	204888	SPRING WASHER	2	
25	5104	NUT	1	
26	210947	FLAT SPRING	1	
27	1206	SCREW	2	
28	210946	FLAT SPRING	1	
29	1206	SCREW	1	
30	210945	STOPPER	1	
31	5328	SCREW	2	
32	210937	SHAFT	1	
33	206225	COLLAR	1	
34	1457-1	SCREW	2	
35	5029	SCREW	2	
36	210955	WASHER	1	
37	210948	LEVER	1	
38	5104	NUT	1	
39	211614	BRACKET	1	
40	1435	STOP SCREW	1	
41	5292	SCREW	1	
42	210952	SPRING	1	
43	211099	PLATE	1	
44	5029	SCREW	2	
45	208447	TENSION NUT	1	
46	208448	SPRING BUSHING	1	
47	210940	SPRING	1	
48	204091	WASHER	1	
49	5082A	POST	1	
50	210944	WASHER	1	
51	211613	GUIDE	1	
52	210938	RATCH	1	
53	5118	SCREW	1	
54	210939	SPRING	1	
55	210961	CLOTH GUIDE	1	
56	1234	SCREW	2	
57	137906	WASHER	2	

Shirring/piping

E 32-541, 543

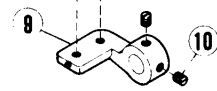
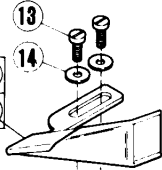


E 32-542P1, 542P2

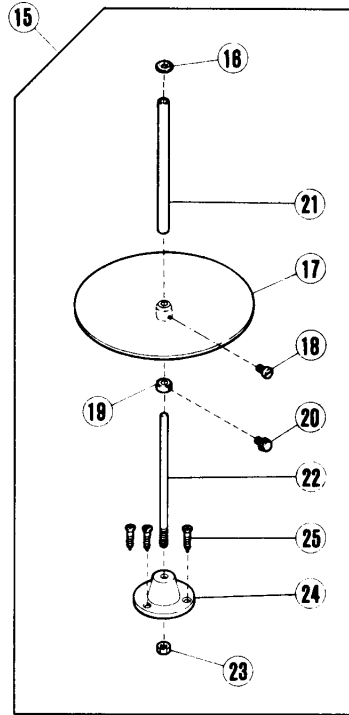


Tape width

25MM	12
20MM	11

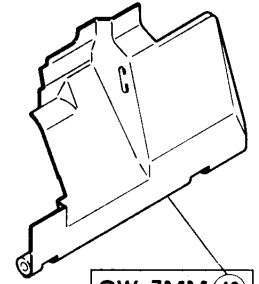
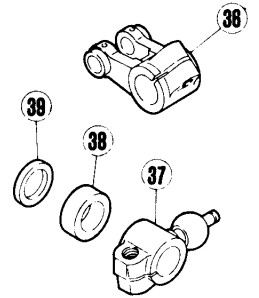


26 E 32-542P2



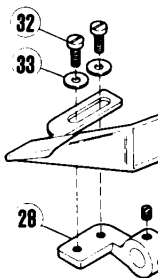
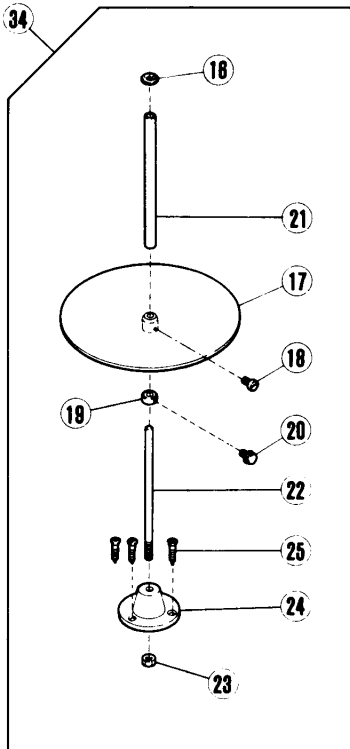
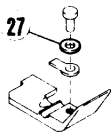
11, 12, 26 are options for -542P1.

E 52-243



SW, 7MM 40

E 52-242P1, 242P2



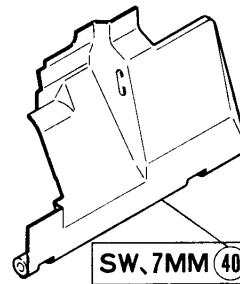
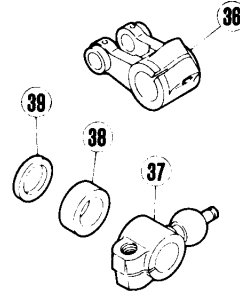
Tape width

20MM	30
25MM	31

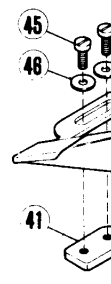
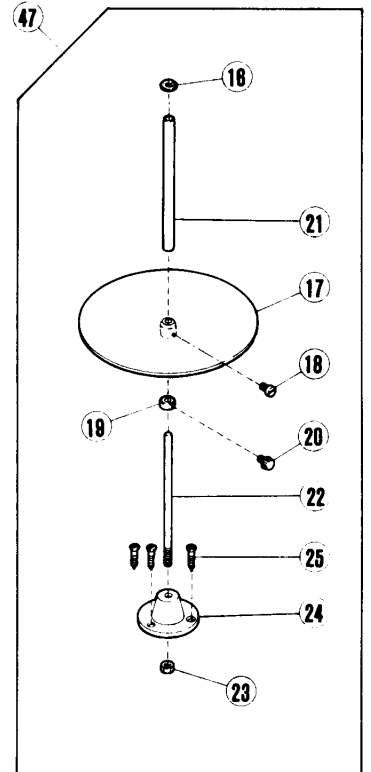
35 E 52-242P2

30, 31, 35 are options for -242P1.

E 52-243P1, 243P2



SW, 7MM 40



Tape width

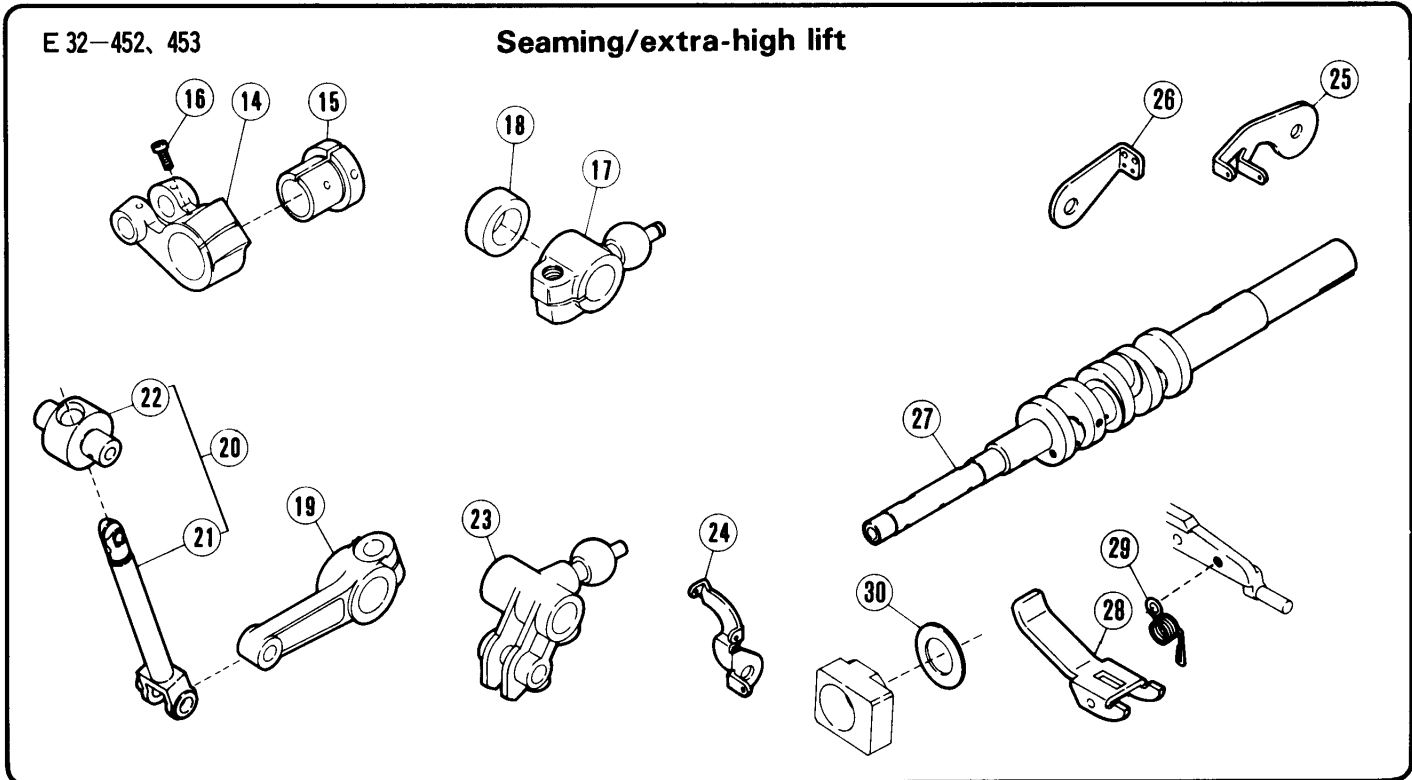
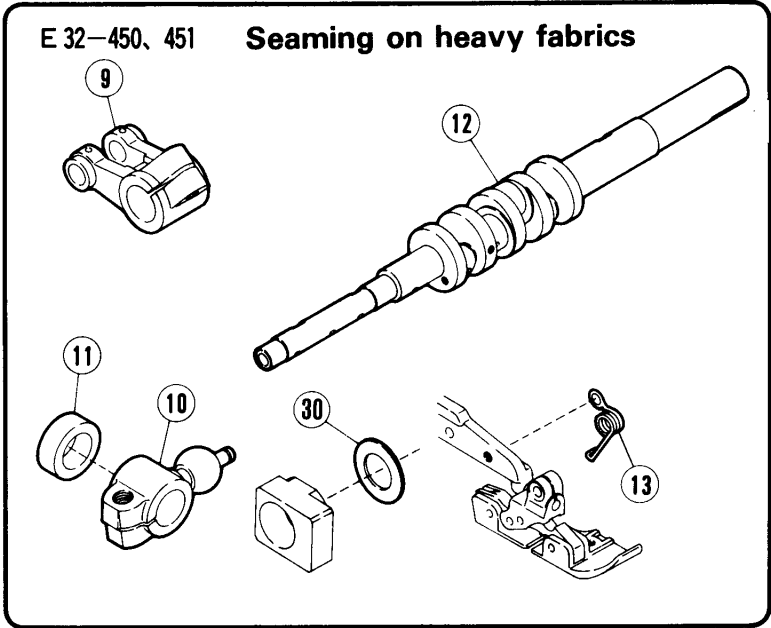
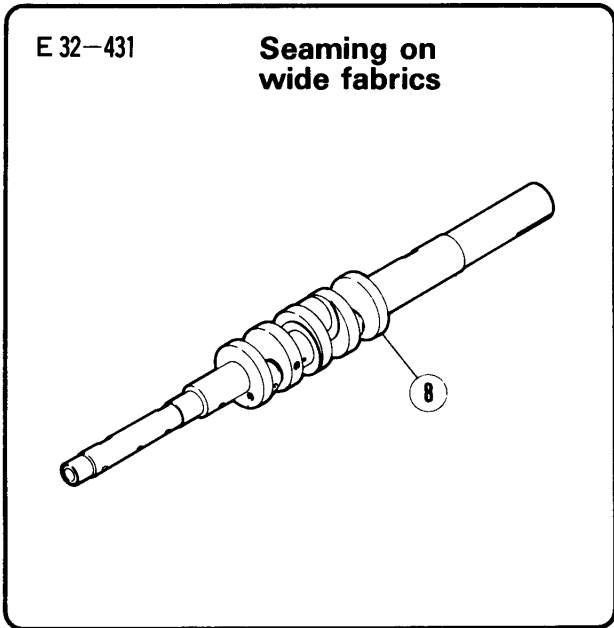
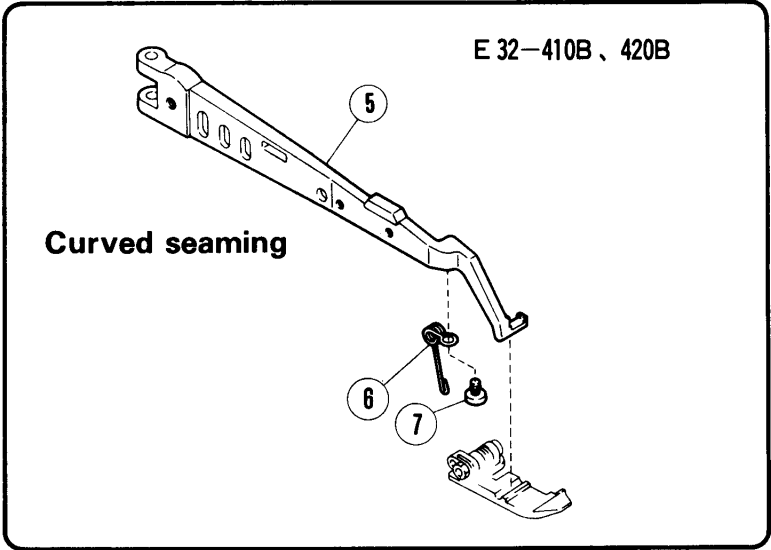
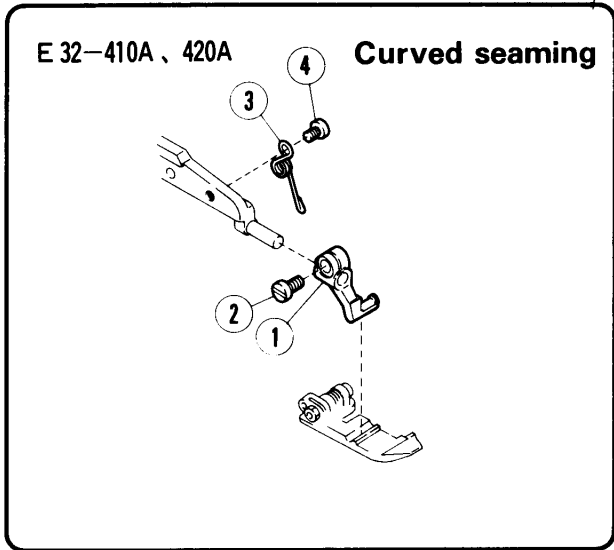
20MM	43
25MM	44

48 E 52-243P2

43, 44, 48 are options for -243P1.

E32-541,-543,-542P1,-542P2 E52-242P1,-242P2,-243,-243P1,-243P2

REF. NO.	PART NO.	NAME	QT.	MEMO
1	210231	CRANK/NEEDLE DRIVE/HI LIFT	1	
2	210731	CRANK/UPPER LOOPER/HI LIFT	1	
3	210267	WASHER	1	
4	208554	BRACKET	1	
5	5328	SCREW	1	
6	2921	SCREW	1	
7	202875	WASHER	1	
8	5077	SCREW	1	
9	210962	BINDER BRACKET	1	
10	5210	SCREW	2	
11	211885	BINDER/20MM	1	
12	211886	BINDER/25MM	1	
13	1202	SCREW	2	
14	167066	WASHER	2	
15	403	TAPE REEL STAND SET	1	
16	406	FELT	1	
17	404	TAPE REEL STAND	1	
18	4012	SCREW	1	
19	407	COLLAR	1	
20	408	ADJUSTING SCREW	1	
21	405	FIXING ROD	1	
22	409	ROD	1	
23	4818	NUT	1	
24	410	BRACKET	1	
25	4908	SCREW	3	
26	413	TAPE INSERTING TOOL	1	
27	202588	WASHER	1	
28	210962	BINDER BRACKET	1	
29	5210	SCREW	2	
30	211885	BINDER/20MM	1	
31	211886	BINDER/25MM	1	
32	1202	SCREW	2	
33	167066	WASHER	2	
34	403	TAPE REEL STAND SET	1	
35	413	TAPE INSERTING TOOL	1	
36	210231	CRANK/NEEDLE DRIVE/HI LIFT	1	
37	210731	CRANK/UPPER LOOPER/HI LIFT	1	
38	210267	WASHER	1	
39	206180	THRUST WASHER	1	
40	211702	FRONT COVER/SW=7MM	1	
41	210962	BINDER BRACKET	1	
42	5210	SCREW	2	
43	211885	BINDER/20MM	1	
44	211886	BINDER/25MM	1	
45	1202	SCREW	2	
46	167066	WASHER	2	
47	403	TAPE REEL STAND SET	1	
48	413	TAPE INSERTING TOOL	1	
49	202588	WASHER	1	



SPECIFIC PARTS FOR
E32-410A,-410B,-420A,-420B,-431,
-450,-451,-452,-453

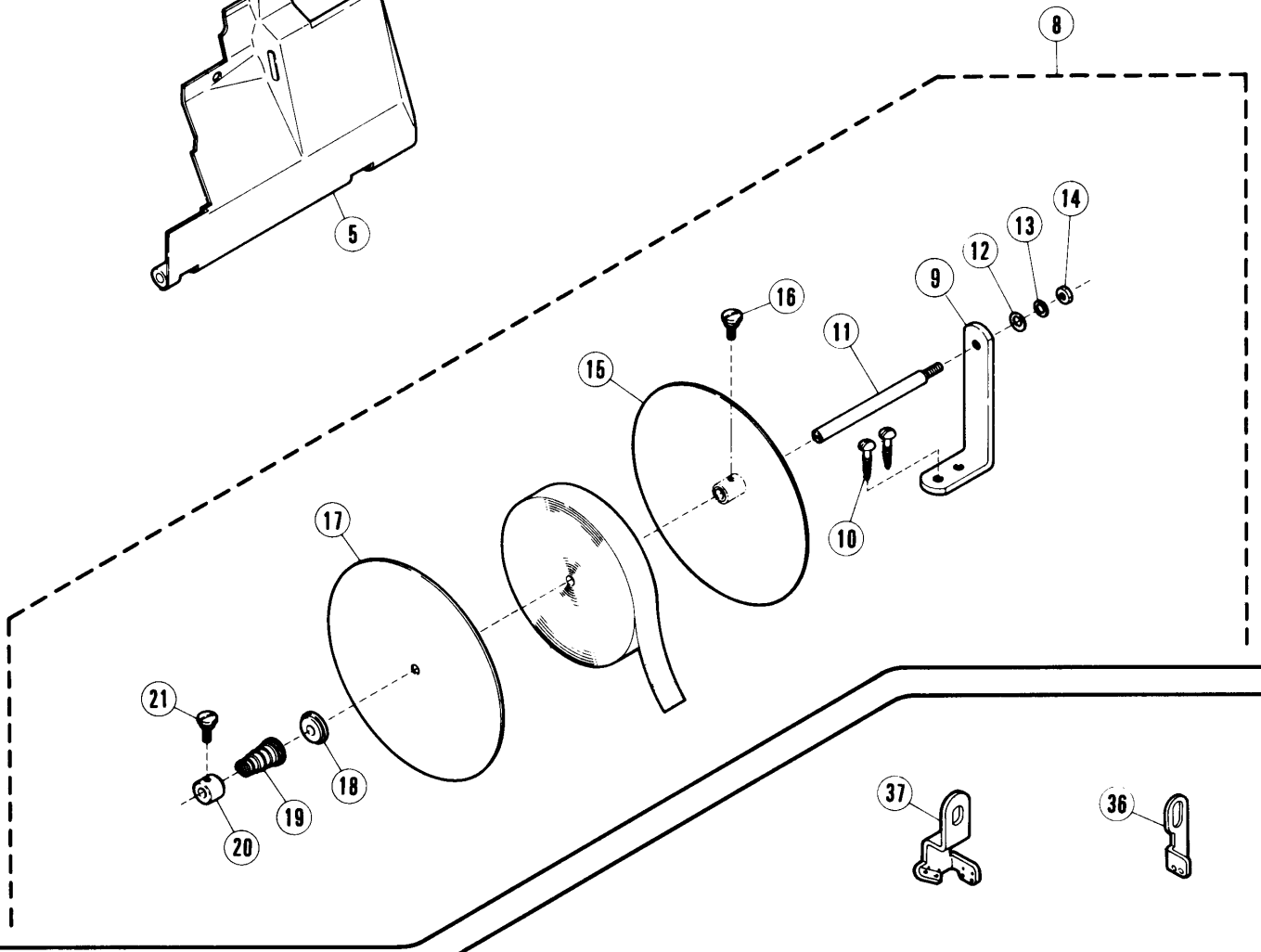
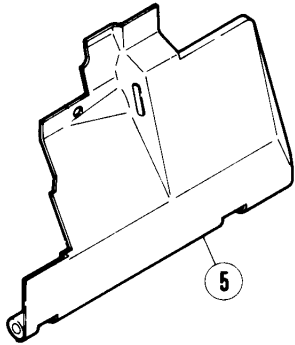
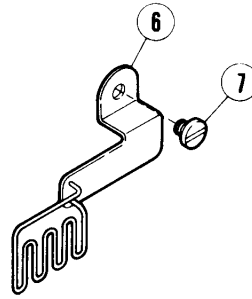
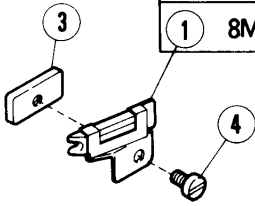
REF. NO.	PART NO.	NAME	QT.	MEMO
1	211905	PRESSER FOOT BRACKET	1	
2	5328	SCREW	1	
3	211906	SPRING	1	
4	2921	SCREW	1	
5	211903	PRESSER ARM	1	
6	211904	SPRING	1	
7	2921	SCREW	1	
8	210228-PA	CRANKSHAFT	1	
9	210231	CRANK/NEEDLE DRIVE/HI LIFT	1	
10	210731	CRANK/UPPER LOOPER/HI LIFT	1	
11	210267	WASHER	1	
12	210228-PB	CRANKSHAFT	1	
13	208960	SPRING	1	
14	211649	CRANK/NEEDLE DRIVE	1	
15	211650	ECCENTRIC/NEEDLE DRIVE CRANK	1	
16	5336	SCREW	1	
17	210731	CRANK/UPPER LOOPER/HI LIFT	1	
18	210267	WASHER	1	
19	211655	LEVER/UPPER LOOPER HOLDER	1	
20	211926	UPPER LOOPER HOLDER ASSEMBLY	1	
21	211654	UPPER LOOPER HOLDER	1	
22	210107	GUIDE/UPPER LOOPER HOLDER	1	
23	211653	CRANK/LOWER LOOPER	1	
24	211658	THREAD GUIDE (CENTER)	1	
25	211659	UPPER LOOPER THREAD TAKEUP	1	
26	210351	LOWER LOOPER THREAD TAKEUP	1	
27	210228-PB	CRANKSHAFT	1	
28	211657	HAND LIFT LEVER	1	
29	211517	SPRING	1	
30	208235	THRUST WASHER	1	

E 32-550, 551

2	10MM
1	8MM

Tape width

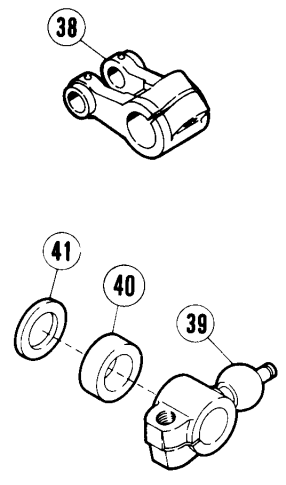
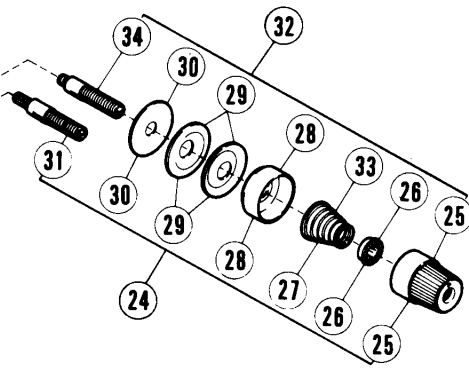
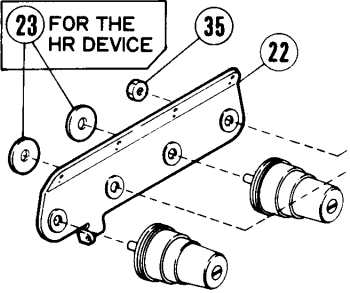
U-shaped taping.



E 32-355, 359, 555, 559

3-needle

23 FOR THE HR DEVICE



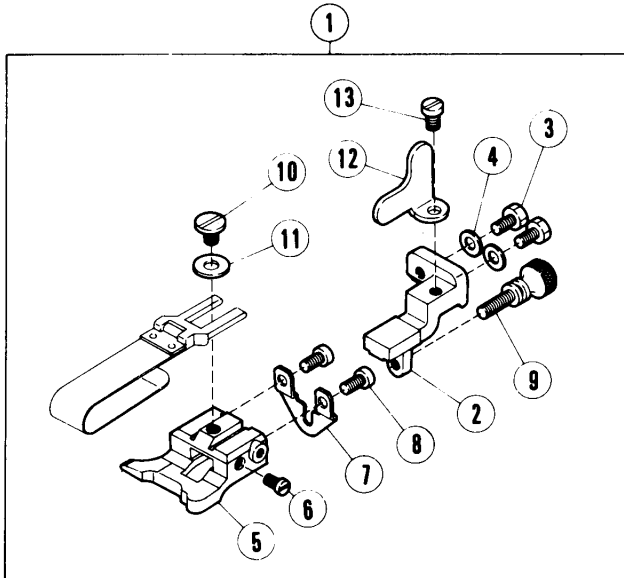
E32-550,-551,-355,-359,-555,-559

REF. NO.	PART NO.	NAME	QT.	MEMO
1	208994	BINDER/8MM	1	
2	209200	BINDER/10MM	1	
3	208997	BINDER GUIDE	1	
4	1216	SCREW	1	
5	211377	FRONT COVER	1	
6	211395	TAPE GUIDE	1	
7	2905	SCREW	1	
8	337	TAPE REEL STAND SET	1	
9	344	BRACKET	1	
10	4911	SCREW	2	
11	341	ROD	1	
12	189	WASHER	1	
13	303067	WASHER	1	
14	4805	NUT	1	
15	338	TAPE REEL STAND	1	
16	339	SCREW	1	
17	340	TAPE REEL STAND COVER	1	
18	467	SPRING SEAT	1	
19	343	SPRING	1	
20	468	COLLAR	1	
21	339	SCREW	1	
22	211580	TENSION NUT SET PLATE	1	
23	204107	THRUST WASHER	2	
24	210529	THREAD TENSION COMPLETE	1	
25	208447	POST NUT	1	
26	208448	SPRING BUSHING	1	
27	201037	TENSION SPRING (HEAVY)	1	
28	208450	CAP	1	
29	210319	DISC	2	
30	208449	FELT	1	
31	5082A	SCREW STUD	1	
32	211581	THREAD TENSION COMPLETE	1	
33	201086	TENSION SPRING (MEDIUM)	1	
34	5143A	STUD	1	
35	3044	NUT	1	
36	211400	NEEDLE THREAD GUIDE CENTER	1	
37	211399	NEEDLE THREAD GUIDE LEFT	1	
38	210231	CRANK/NEEDLE DRIVE/HI LIFT	1	
39	210731	CRANK/UPPER LOOPER/HI LIFT	1	
40	210267	WASHER	1	
41	206180	THRUST WASHER	1	

Blindhemming

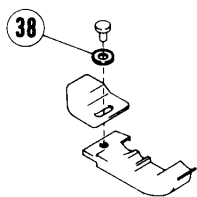
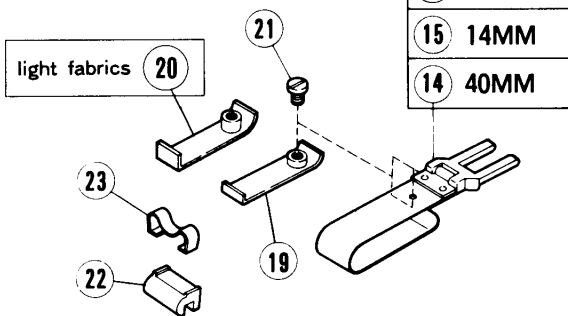
E 52-210, 210C

E 56-210, 210C

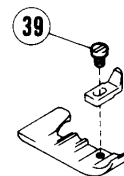
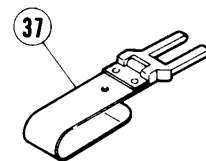
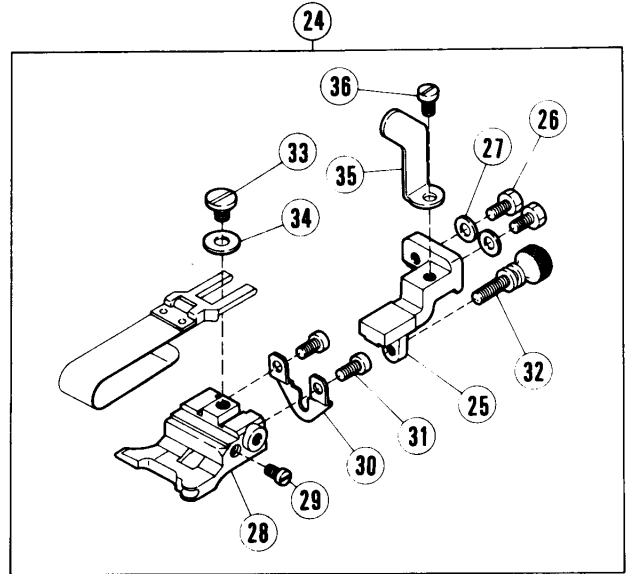


Hem width

18	52MM
17	27MM
16	21MM
15	14MM
14	40MM



E 52-212

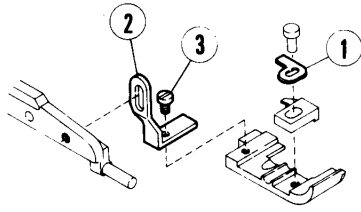


E52-210,-210C,-212 AND E56-210,-210C

REF. NO.	PART NO.	NAME	QT.	MEMO
1	210691	CLOTH GUIDE COMPLETE	1	
2	210690	CLOTH GUIDE BRACKET	1	
3	5088	SCREW	2	
4	167066	WASHER	2	
5	205361	CLOTH GUIDE	1	
6	5057	SCREW	1	
7	210689	REGULATING PLATE	1	
8	5157	SCREW	2	
9	2430	SCREW	1	
10	2905	SCREW	1	
11	137142	WASHER	1	
12	210692	STOPPER	1	
13	1206	SCREW	1	
14	201211B	FOLDER 40MM	1	
15	205457	FOLDER (14MM)	1	
16	205678	FOLDER 21MM	1	
17	205679	FOLDER 27MM	1	
18	205456	FOLDER 52MM	1	
19	205835	AUXILIARY PLATE	1	
20	205834	AUXILIARY PLATE (FOR THIN)	1	
21	5299	SCREW	1	
22	303312A	REGULATOR	1	
23	303313	REGULATOR CLAMP	1	
24	212265	CLOTH GUIDE COMPLETE	1	
25	210690	BRACKET/CLOTH GUIDE	1	
26	5088	SCREW	2	
27	167066	WASHER	2	
28	212266	CLOTH GUIDE	1	
29	5057	SCREW	1	
30	210689	ADJUSTING PLATE	1	
31	5157	SCREW	2	
32	2430	SCREW	1	
33	2905	SCREW	1	
34	137142	WASHER	1	
35	212267	STOPPER	1	
36	1206	SCREW	1	
37	212268	FOLDER (36MM)	1	
38	210585	WASHER	1	
39	1333	SCREW	1	

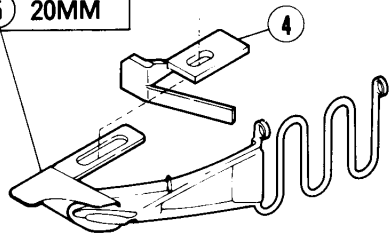
Piping

E 52-130P1, 130P2



Tape width

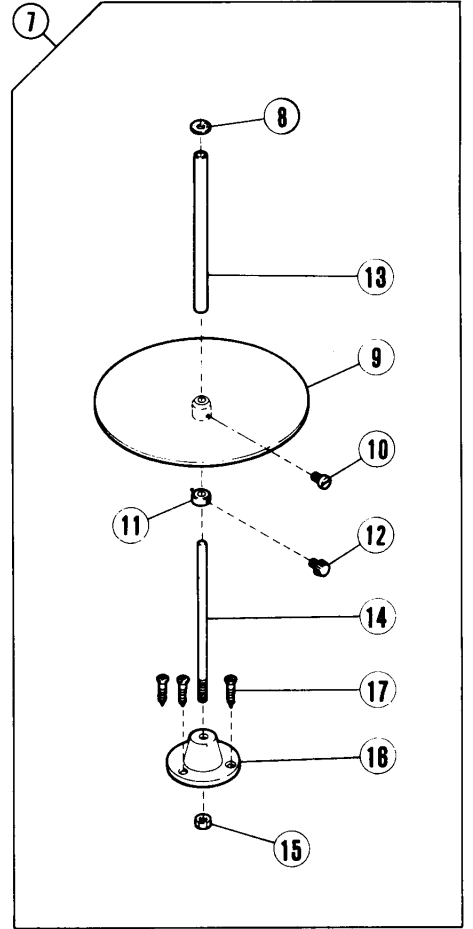
- 6 25MM
- 5 20MM



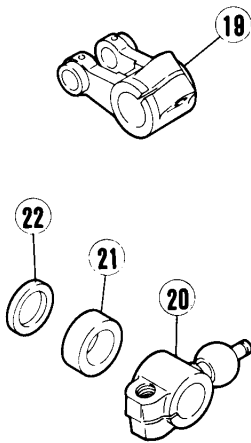
18 E 52-130P2



5, 6, 18 are options for -130P1.

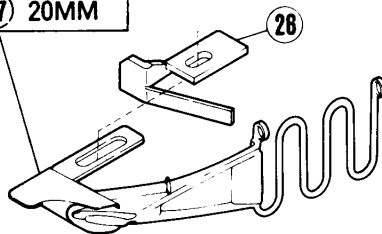


E 52-131P1, 131P2



Tape width

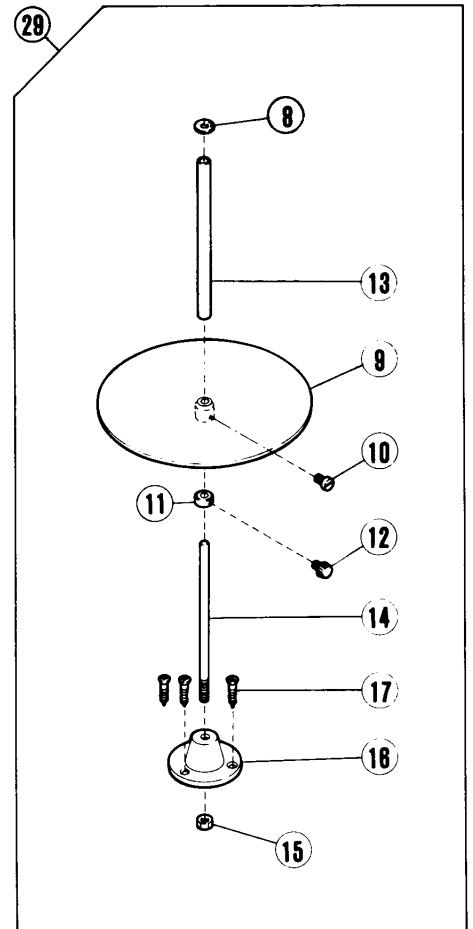
- 28 25MM
- 27 20MM



30 E 52-131P2



27, 28, 30 are options for -131P1.

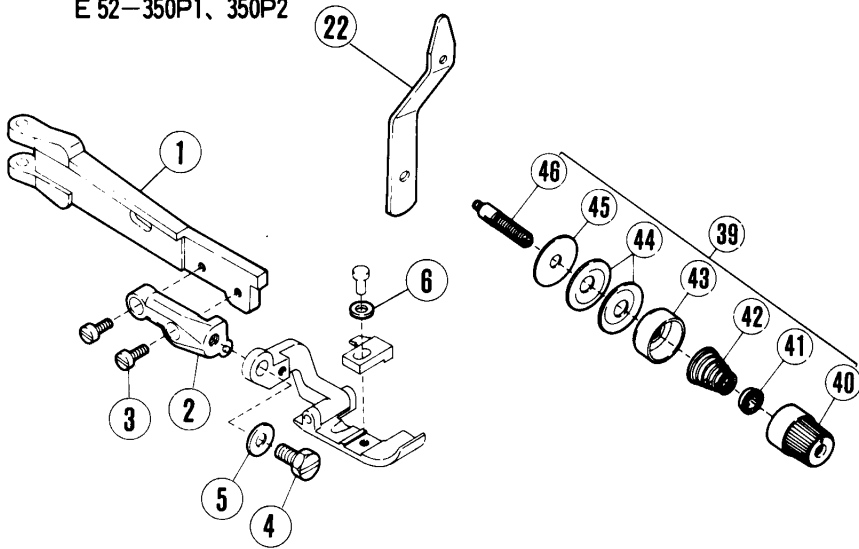


E52-130P1,-130P2,-131P1,-131P2

REF. NO.	PART NO.	NAME	QT.	MEMO
1	211876	SET PLATE	1	
2	211877	PRESSER FOOT STOPPER	1	
3	1333	SCREW	1	
4	211879	FABRIC EDGE GUIDE	1	
5	211880	BINDER/20MM	1	
6	211946	BINDER/25MM	1	
7	403	TAPE REEL STAND SET	1	
8	406	FELT	1	
9	404	TAPE REEL STAND	1	
10	4012	SCREW	1	
11	407	COLLAR	1	
12	408	ADJUSTING SCREW	1	
13	405	FIXING ROD	1	
14	409	ROD	1	
15	4818	NUT	1	
16	410	BRACKET	1	
17	4908	SCREW	3	
18	413	TAPE INSERTING TOOL	1	
19	210231	CRANK/NEEDLE DRIVE/HI LIFT	1	
20	210731	CRANK/UPPER LOOPER/HI LIFT	1	
21	210267	WASHER	1	
22	206180	THRUST WASHER	1	
23	211876	SET PLATE	1	
24	211877	STOPPER	1	
25	1333	SCREW	1	
26	211879	FABRIC EDGE GUIDE	1	
27	211880	BINDER/20MM	1	
28	211946	BINDER/25MM	1	
29	403	TAPE REEL STAND SET	1	
30	403	TAPE INSERTING TOOL	1	

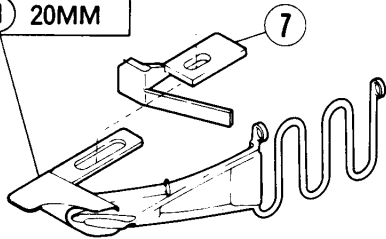
Piping

E 52-350P1, 350P2



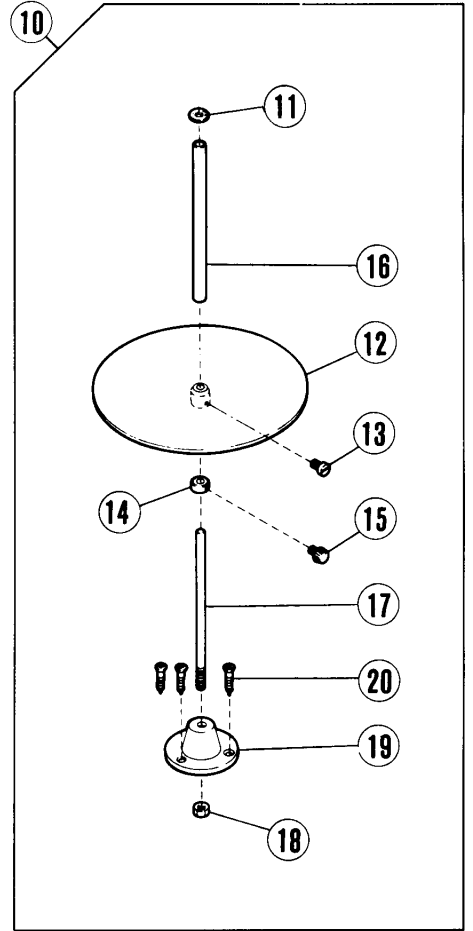
Tape width

9	25MM
8	20MM

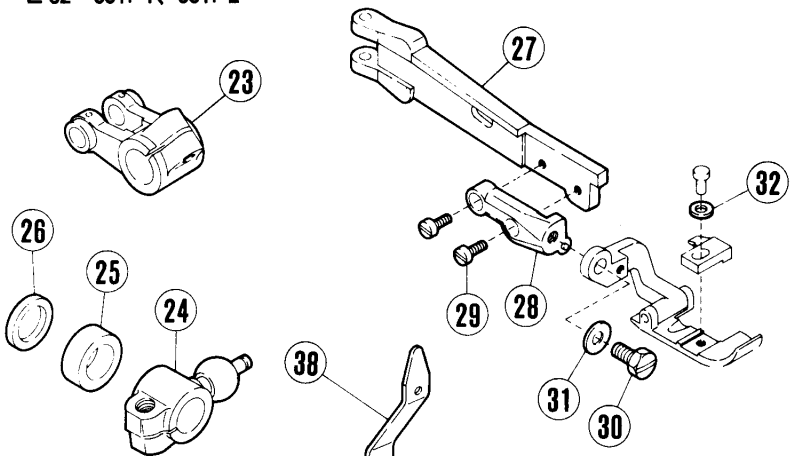


21 E 52-350P2

8, 9, 21 are options for -350P1.

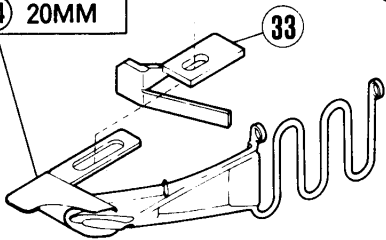


E 52-351P1, 351P2



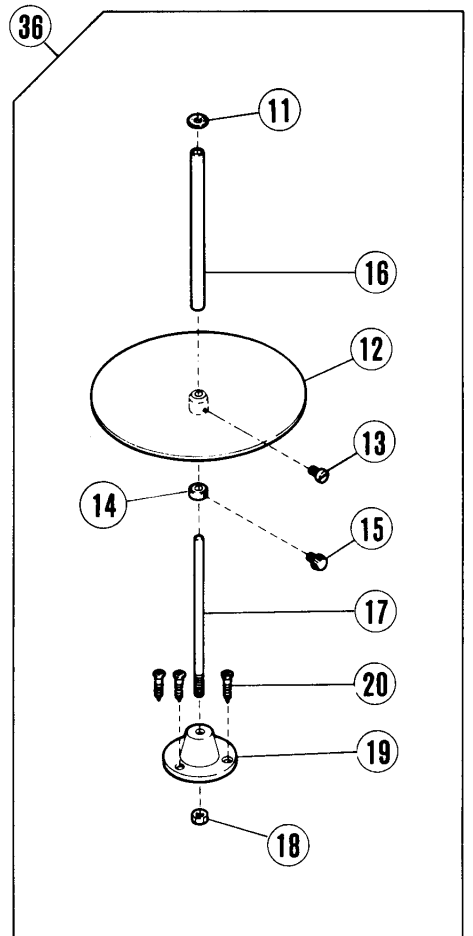
Tape width

35	25MM
34	20MM



37 E 52-351P2

34, 35, 37 are options for -351P1.

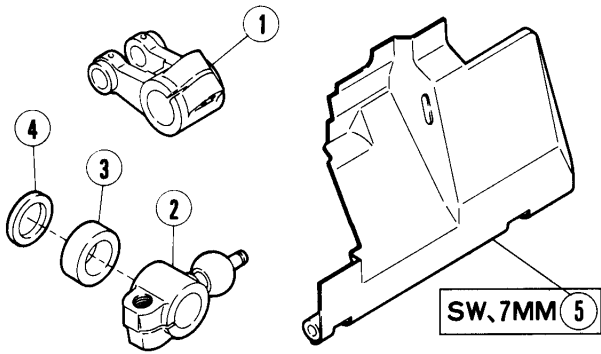


SPECIFIC PARTS FOR
E52-350P1,-350P2,-351P1,-351P2

REF. NO.	PART NO.	NAME	QT.	MEMO
1	211823	PRESSER ARM	1	
2	211824	BRACKET	1	
3	1196	SCREW	2	
4	2193	SCREW	1	
5	201185	WASHER	1	
6	202588	WASHER	1	
7	211879	FABRIC EDGE GUIDE	1	
8	211880	BINDER/20MM	1	
9	211946	BINDER/25MM	1	
10	403	TAPE REEL STAND SET	1	
11	406	FELT	1	
12	404	TAPE REEL STAND	1	
13	4012	SCREW	1	
14	407	COLLAR	1	
15	408	ADJUSTING SCREW	1	
16	405	FIXING ROD	1	
17	409	ROD	1	
18	4818	NUT	1	
19	410	BRACKET	1	
20	4908	SCREW	1	
21	413	TAPE INSERTING TOOL	1	
22	211949	CORD GUIDE PLATE	1	
23	210231	CRANK/NEEDLE DRIVE/HI LIFT	1	
24	210731	CRANK/UPPER LOOPER/HI LIFT	1	
25	210267	WASHER	1	
26	206180	THRUST WASHER	1	
27	211823	PRESSER ARM	1	
28	211824	BRACKET	1	
29	1196	SCREW	2	
30	2193	SCREW	1	
31	201185	WASHER	1	
32	202588	WASHER	1	
33	211879	FABRIC EDGE GUIDE	1	
34	211880	BINDER/20MM	1	
35	211946	BINDER/25MM	1	
36	403	TAPE REEL STAND SET	1	
37	413	TAPE INSERTING TOOL	1	
38	211949	CORD GUIDE PLATE	1	
39	211951	TENSION NUT COMPLETE (MEDIUM)	1	
40	208447	POST NUT	1	
41	208448	SPRING BUSHING	1	
42	201086	TENSION SPRING (MEDIUM)	1	
43	208450	CUP	1	
44	210319	DISC	2	
45	208449	FELT	1	
46	1817-2A	TENSION GUIDE	1	

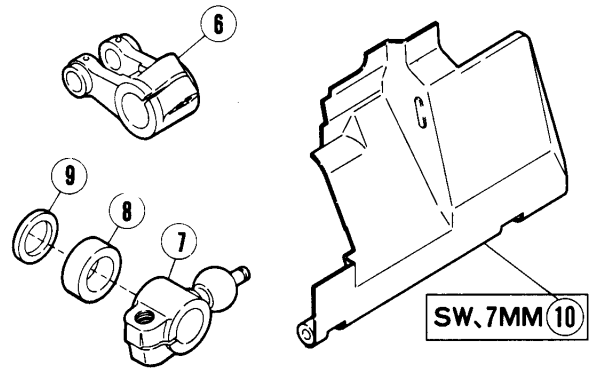
E 52-131,135,140

2-needle



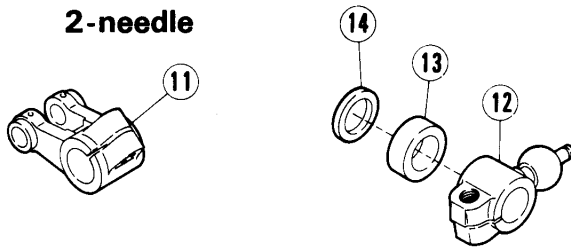
E 52-132,133

2-needle



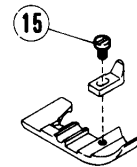
E 52-137

2-needle



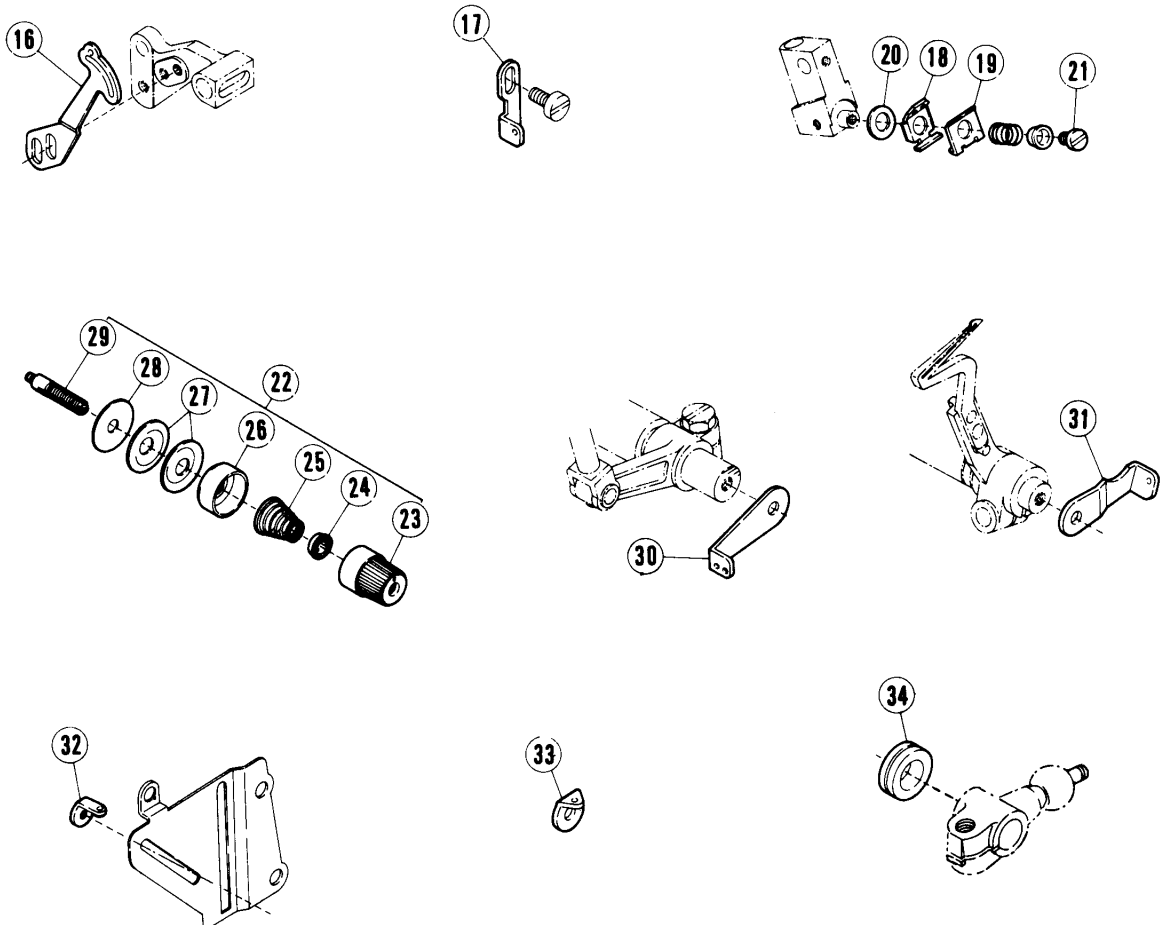
E 52-121

Seaming on foundations



E 52-130T, 121T

Stretchable thread chain

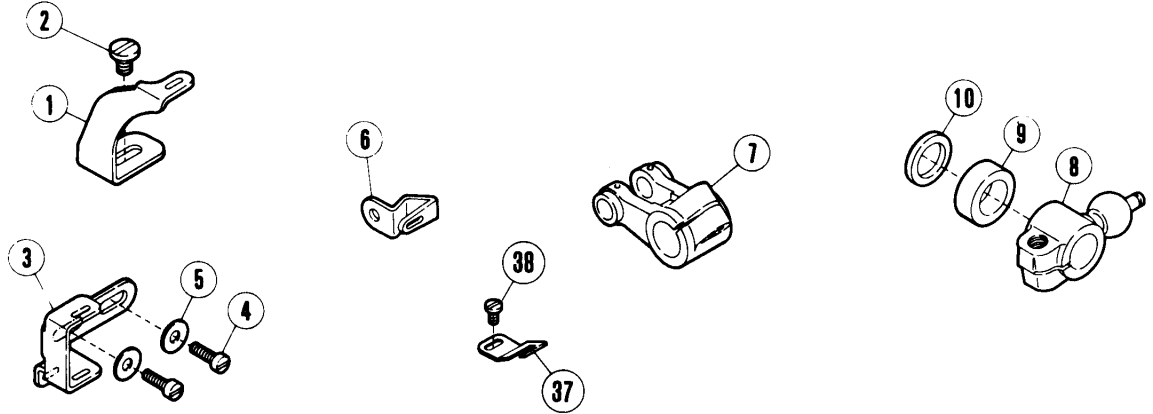


E52-131,-135,-140,-132,-133,-137,-121,-130T,-121T

REF. NO.	PART NO.	NAME	QT.	MEMO
1	210231	CRANK/NEEDLE DRIVE/HI LIFT	1	
2	210731	CRANK/UPPER LOOPER/HI LIFT	1	
3	210267	WASHER	1	
4	206180	THRUST WASHER	1	
5	211702	FRONT COVER/SW=7MM	1	
6	210230	CRANK/NEEDLE DRIVE/STD LIFT	1	
7	210731	CRANK/UPPER LOOPER/HI LIFT	1	
8	210267	WASHER	1	
9	206180	THRUST WASHER	1	
10	211702	FRONT COVER/SW=7MM	1	
11	210230	CRANK/NEEDLE DRIVE/STD LIFT	1	
12	210731	CRANK/UPPER LOOPER/HI LIFT	1	
13	210267	WASHER	1	
14	206180	THRUST WASHER	1	
15	1333	SCREW	1	
16	212212	NEEDLE THREAD TAKEUP	1	
17	210722	NEEDLE THREAD GUIDE CENTER	1	
18	212213	BRACKET/SPRING	1	
19	210749	NEEDLE THREAD RETAINER	1	
20	202058	WASHER	1	
21	5600	SCREW	1	
22	210530	THREAD TENSION COMPLETE	1	
23	208447	POST NUT	1	
24	208448	SPRING BUSHING	1	
25	201086	TENSION SPRING (MEDIUM)	1	
26	208450	CAP	1	
27	210319	DISC	2	
28	208449	FELT	1	
29	5082A	SCREW STUD	1	
30	212214	UPPER LOOPER THREAD TAKEUP	1	
31	212216	LOWER LOOPER THREAD TAKEUP	1	
32	201089	THREAD GUIDE (RIGHT)	1	
33	167079	EYELET	1	
34	212217	WASHER	1	

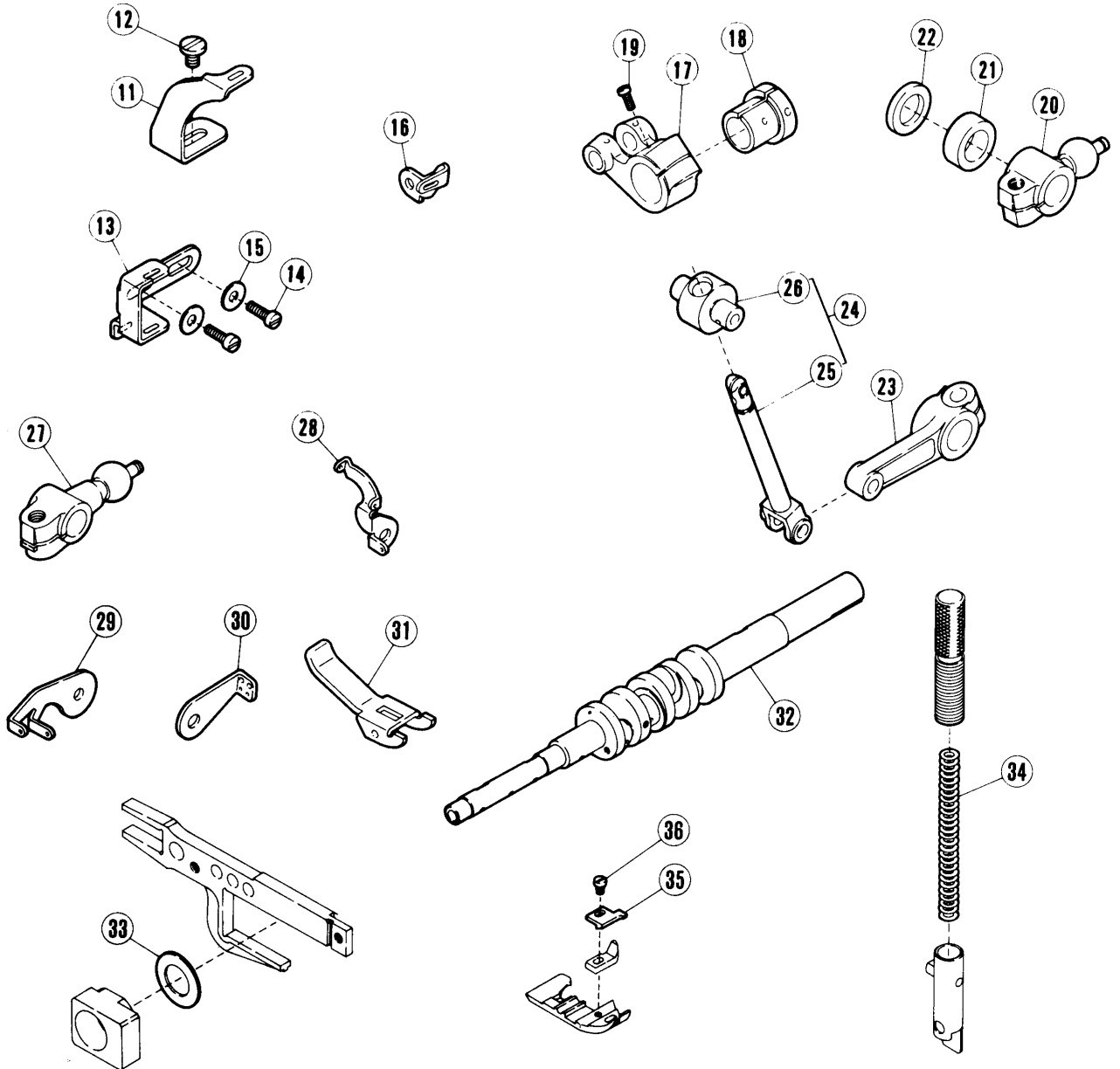
Taping Seaming (extra-high lift)

E 52-250, 250C



E 52-141, 142, 252

17~21	E52-141	Seaming/extra-high lift
23~34	E52-141	Seaming/extra-high lift
17~34	E52-142	Seaming/extra-high lift
11~37	E52-252	Taping/extra-high lift

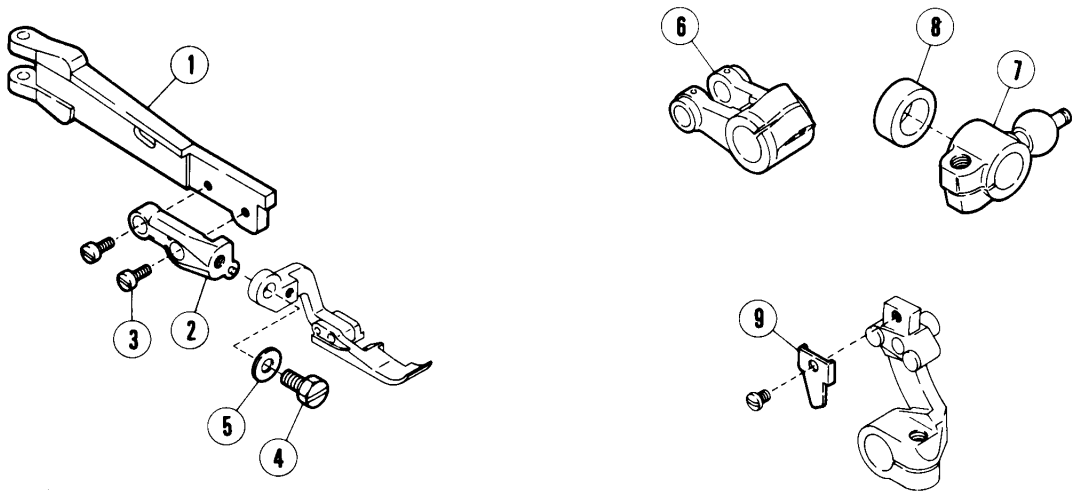


**SPECIFIC PARTS FOR
E52-141,-142,-250,-250C,-252**

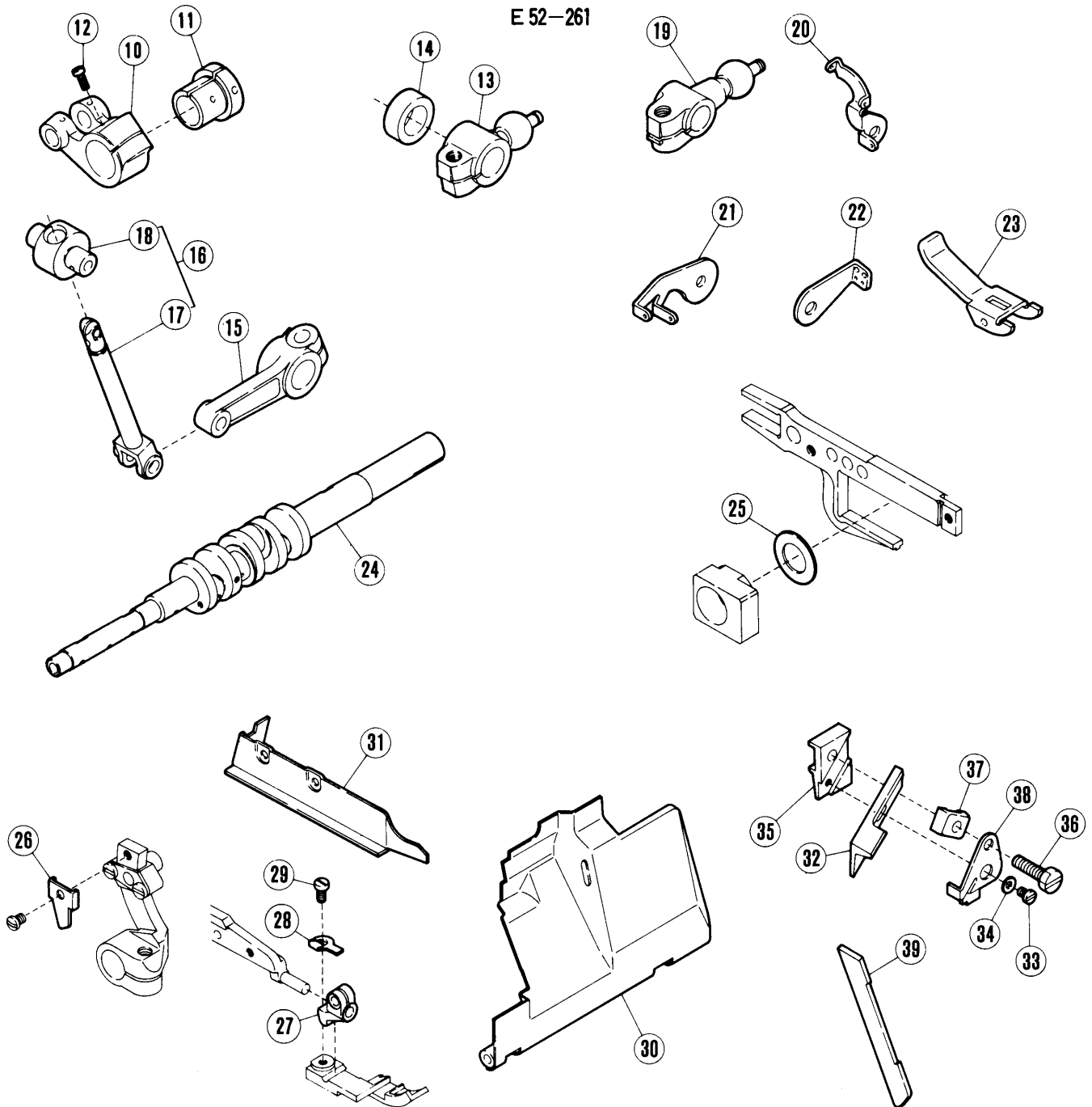
REF. NO.	PART NO.	NAME	QT.	MEMO
1	211264	TAPE GUIDE (UPPER)	1	
2	5453	SCREW	1	
3	211265	TAPE GUIDE (LOWER)	1	
4	1174	SCREW	2	
5	137906	WASHER	2	
6	211266	TAPE TAKEUP	1	
7	210230	CRANK/NEEDLE DRIVE/STD LIFT	1	
8	210731	CRANK/UPPER LOOPER/HI LIFT	1	
9	210267	WASHER	1	
10	206180	THRUST WASHER	1	
11	211264	TAPE GUIDE (UPPER)	1	
12	5453	SCREW	1	
13	211265	TAPE GUIDE (LOWER)	1	
14	1174	SCREW	2	
15	137906	WASHER	2	
16	211267	TAPE TAKEUP	1	
17	211649	NEEDLE DRIVE CRANK	1	
18	211650	ECCENTRIC/NEEDLE DRIVE CRANK	1	
19	5336	SCREW	1	
20	210731	CRANK/UPPER LOOPER/HI LIFT	1	
21	210267	WASHER	1	
22	206180	THRUST WASHER	1	
23	211655	LEVER/UPPER LOOPER HOLDER	1	
24	211926	UPPER LOOPER HOLDER ASSEMBLY	1	
25	211654	UPPER LOOPER HOLDER	1	
26	210107	GUIDE/UPPER LOOPER HOLDER	1	
27	211652	CRANK/LOWER LOOPER HOLDER	1	
28	211658	THREAD GUIDE (CENTER)	1	
29	211659	UPPER LOOPER THREAD TAKEUP	1	
30	210351	LOWER LOOPER THREAD TAKEUP	1	
31	211657	HAND LIFT LEVER	1	
32	210228--PB	CRANKSHAFT	1	
33	208235	THRUST WASHER	1	
34	211941	SPRING	1	
35	211931	TAPE GUIDE	1	
36	2922	SCREW	1	
37	208735	TAPE GUIDE	1	
38	1333	SCREW	1	

Attaching zipper

E 52-260



E 52-261



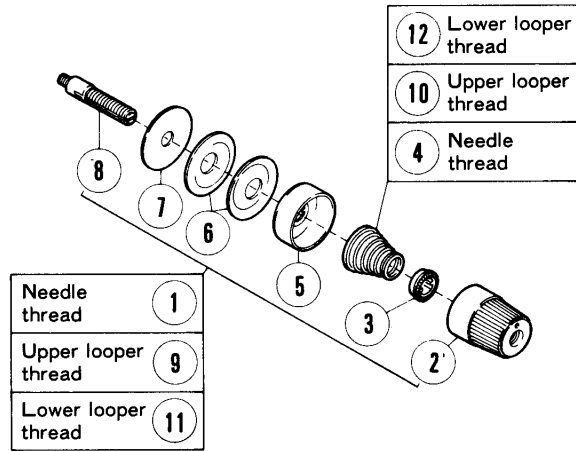
**SPECIFIC PARTS FOR
E52-260,-261**

REF. NO.	PART NO.	NAME	QT.	MEMO
1	211823	PRESSER ARM	1	
2	211824	BRACKET	1	
3	1196	SCREW	2	
4	2193	SCREW	1	
5	201185	WASHER	1	
6	210231	CRANK/NEEDLE DRIVE/HI LIFT	1	
7	210731	CRANK/UPPER LOOPER/HI LIFT	1	
8	210267	WASHER	1	
9	211868	STOPPER	1	
10	211649	CRANK/NEEDLE DRIVE	1	
11	211650	ECCENTRIC/NEEDLE DRIVE CRANK	1	
12	5336	SCREW	1	
13	210731	CRANK/UPPER LOOPER/HI LIFT	1	
14	210267	WASHER	1	
15	211655	LEVER/UPPER LOOPER HOLDER	1	
16	211926	UPPER LOOPER HOLDER ASSEMBLY	1	
17	211654	UPPER LOOPER HOLDER	1	
18	210107	GUIDE/UPPER LOOPER HOLDER	1	
19	211652	CRANK/LOWER LOOPER	1	
20	211658	NEEDLE GUIDE (CENTER)	1	
21	211659	UPPER LOOPER THREAD TAKEUP	1	
22	210351	UPPER LOOPER THREAD TAKEUP	1	
23	211657	HAND LIFT LEVER	1	
24	210228-PB	CRANKSHAFT	1	
25	208235	THRUST WASHER	1	
26	211868	STOPPER	1	
27	211838	PRESSER FOOT BRACKET	1	
28	211839	PRESSER FOOT SET PLATE	1	
29	5157	SCREW	1	
30	211794	FRONT COVER	1	
31	211660	FABRIC GUARD	1	
32	211662	ANGLED UPPER KNIFE	1	
33	1227	SCREW	1	
34	300248	WASHER	1	
35	210756	ANGLED UPPER KNIFE CLAMP	1	
36	5504	SCREW	1	
37	210758	ANGLED UPPER KNIFE GIB	1	
38	210759	ANGLED UPPER KNIFE PLATE	1	
39	211661	LOWER KNIFE	1	

Serging

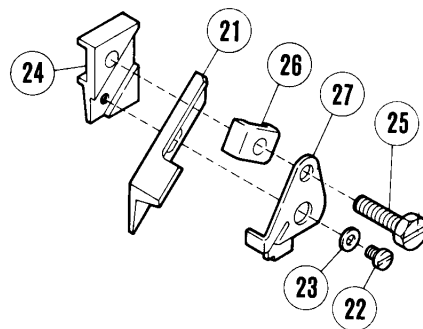
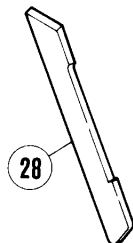
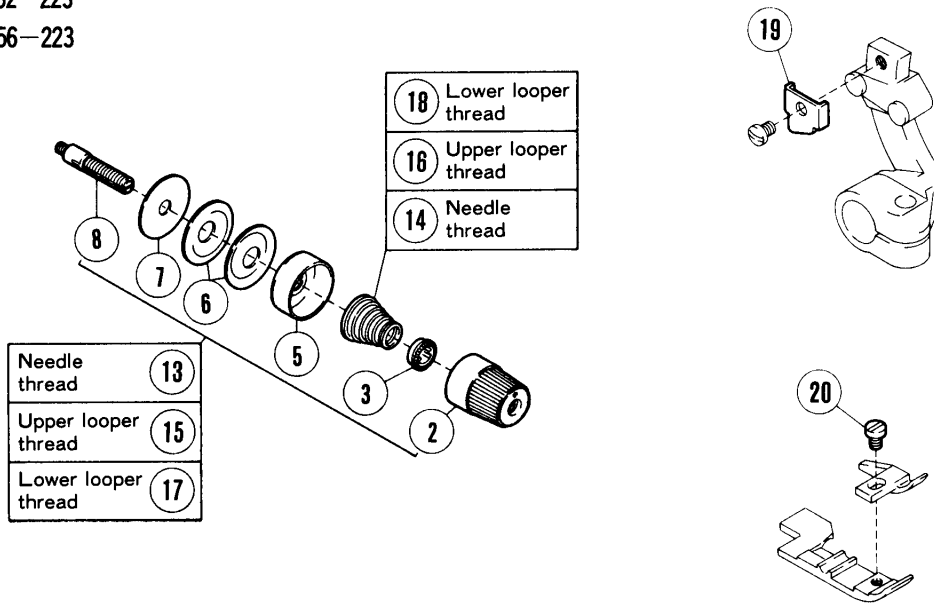
E 52-220

E 56-220



E 52-223

E 56-223

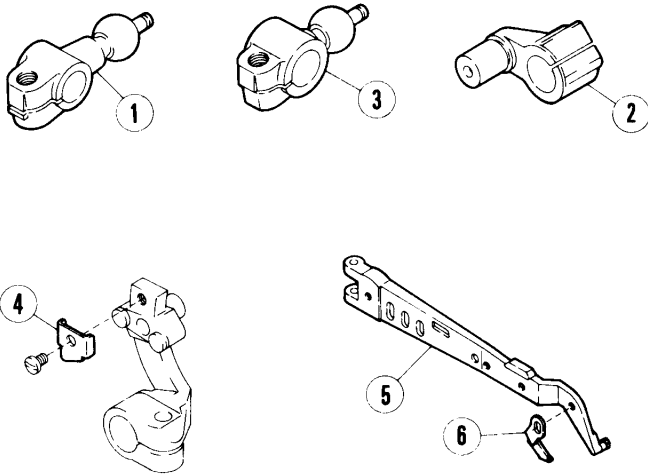


E52-220,-223 AND E56-220,-223

REF. NO.	PART NO.	NAME	QT.	MEMO
1	210530	THREAD TENSION COMPLETE	1	
2	208447	POST NUT	1	
3	208448	SPRING BUSHING	1	
4	201068	TENSION SPRING (LIGHT)	1	
5	208450	CAP	1	
6	210319	DISC	2	
7	208449	FELT	1	
8	5082A	SCREW STUD	1	
9	210529	THREAD TENSION COMPLETE	1	
10	201037	TENSION SPRING (HEAVY)	1	
11	210530	THREAD TENSION COMPLETE	1	
12	201086	TENSION SPRING (MEDIUM)	1	
13	210530	THREAD TENSION COMPLETE	1	
14	201068	TENSION SPRING (LIGHT)	1	
15	210529	THREAD TENSION COMPLETE	1	
16	201037	TENSION SPRING (HEAVY)	1	
17	210530	THREAD TENSION COMPLETE	1	
18	201086	TENSION SPRING (MEDIUM)	1	
19	208953	STOPPER	1	
20	1186	SCREW	1	
21	211662	ANGLED UPPER KNIFE	1	
22	1227	SCREW	1	
23	300248	WASHER	1	
24	210756	ANGLED UPPER KNIFE CLAMP	1	
25	5504	SCREW	1	
26	210758	ANGLED UPPER KNIFE GIB	1	
27	210759	ANGLED UPPER KNIFE PLATE	1	
28	211661	LOWER KNIFE	1	

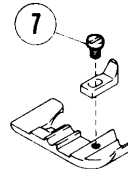
E 56-110, 111

Seaming (low lift)



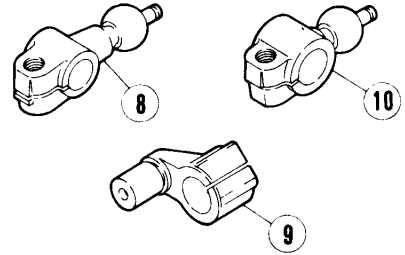
E 56-121

Seaming on foundations



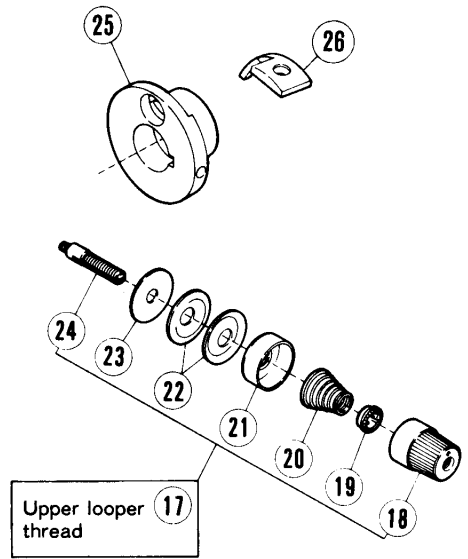
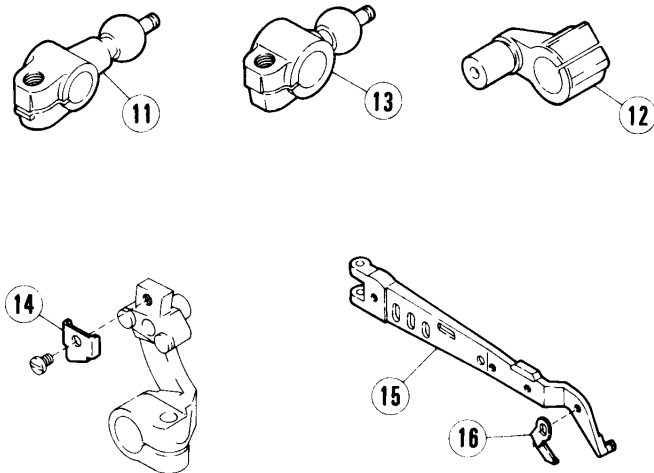
E 56-230/503-133, E 56-231

Turn-down hemming



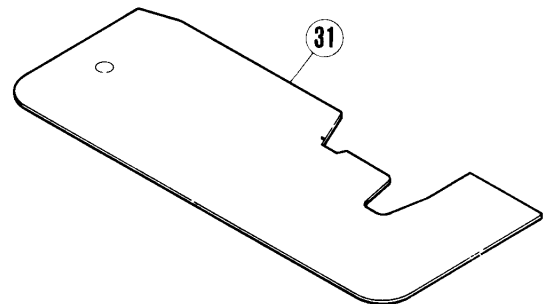
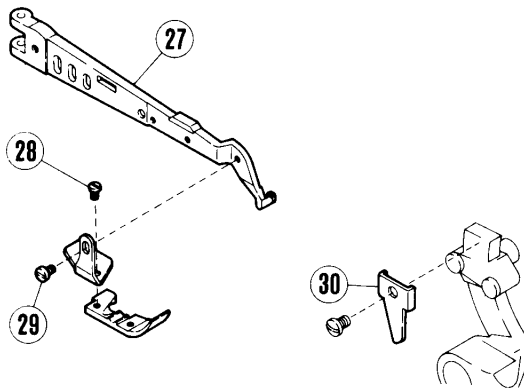
E 56-232, 233

Turn-down hemming



E 56-234

Turn-up hemming

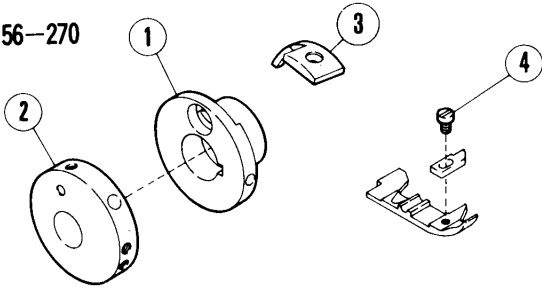


SPECIFIC PARTS FOR
E56-110,-111,-121,-230,-231,-232,-233,-234

REF. NO.	PART NO.	NAME	QT.	MEMO
1	210735	CRANK/LOWER LOOPER	1	
2	210065	CRANK/NEEDLE DRIVE/LOW LIFT	1	
3	210732	CRANK/UPPER LOOPER/LOW LIFT	1	
4	208953	STOPPER	1	
5	210933	PRESSER ARM	1	
6	211534	PRESSER FOOT STOPPER	1	
7	1333	SCREW	1	
8	210735	CRANK/LOWER LOOPER	1	
9	210065	CRANK/NEEDLE DRIVE/LOW LIFT	1	
10	210732	CRANK/UPPER LOOPER/LOW LIFT	1	
11	210735	CRANK/LOWER LOOPER	1	
12	210065	CRANK/NEEDLE DRIVE/LOW LIFT	1	
13	210732	CRANK/UPPER LOOPER/LOW LIFT	1	
14	208953	STOPPER	1	
15	210933	PRESSER ARM	1	
16	211534	PRESSER FOOT STOPPER	1	
17	210530	THREAD TENSION COMPLETE	1	
18	208447	POST NUT	1	
19	208448	SPRING BUSHING	1	
20	201086	TENSION SPRING (MEDIUM)	1	
21	208450	CAP	1	
22	210319	DISC	2	
23	208449	FELT	1	
24	5082A	SCREW STUD	1	
25	211563	FEED ECCENTRIC	1	
26	211805	STOPPER	1	
27	210933	PRESSER ARM	1	
28	1333	SCREW	1	
29	1229	SCREW	1	
30	211609	STOPPER	1	
31	211808	CLOTH PLATE	1	

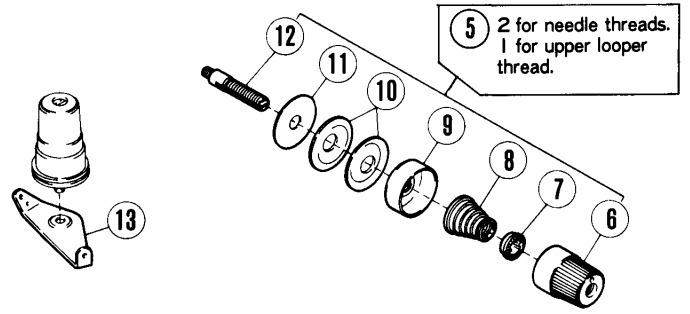
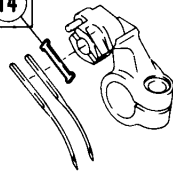
Hosiery

E 56-270

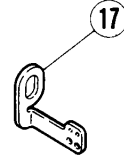
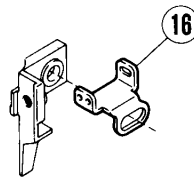
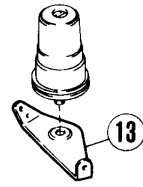


Needle Gauge

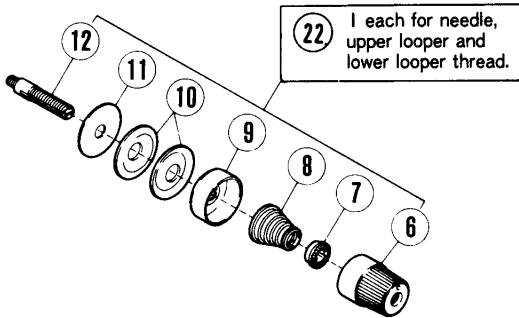
1.2MM	15
0.8MM	14



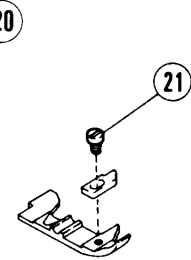
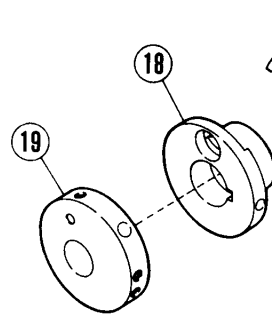
5 2 for needle threads.
1 for upper looper thread.



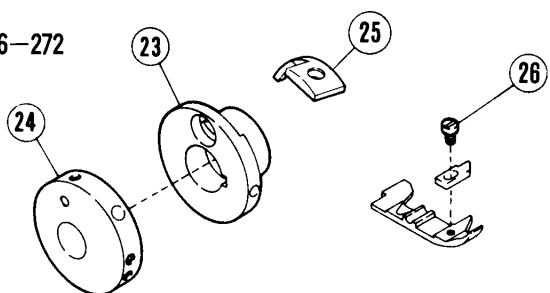
E 56-271



22 1 each for needle,
upper looper and
lower looper thread.

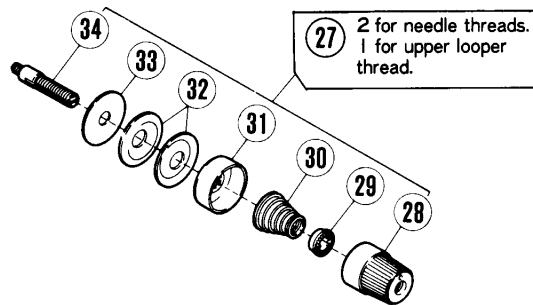
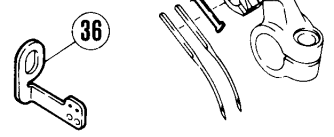


E 56-272

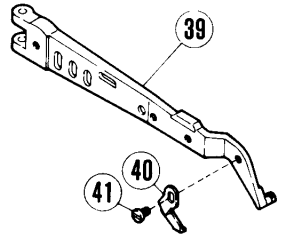
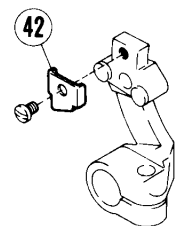
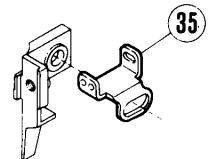


Needle Gauge

1.2MM	38
0.8MM	37

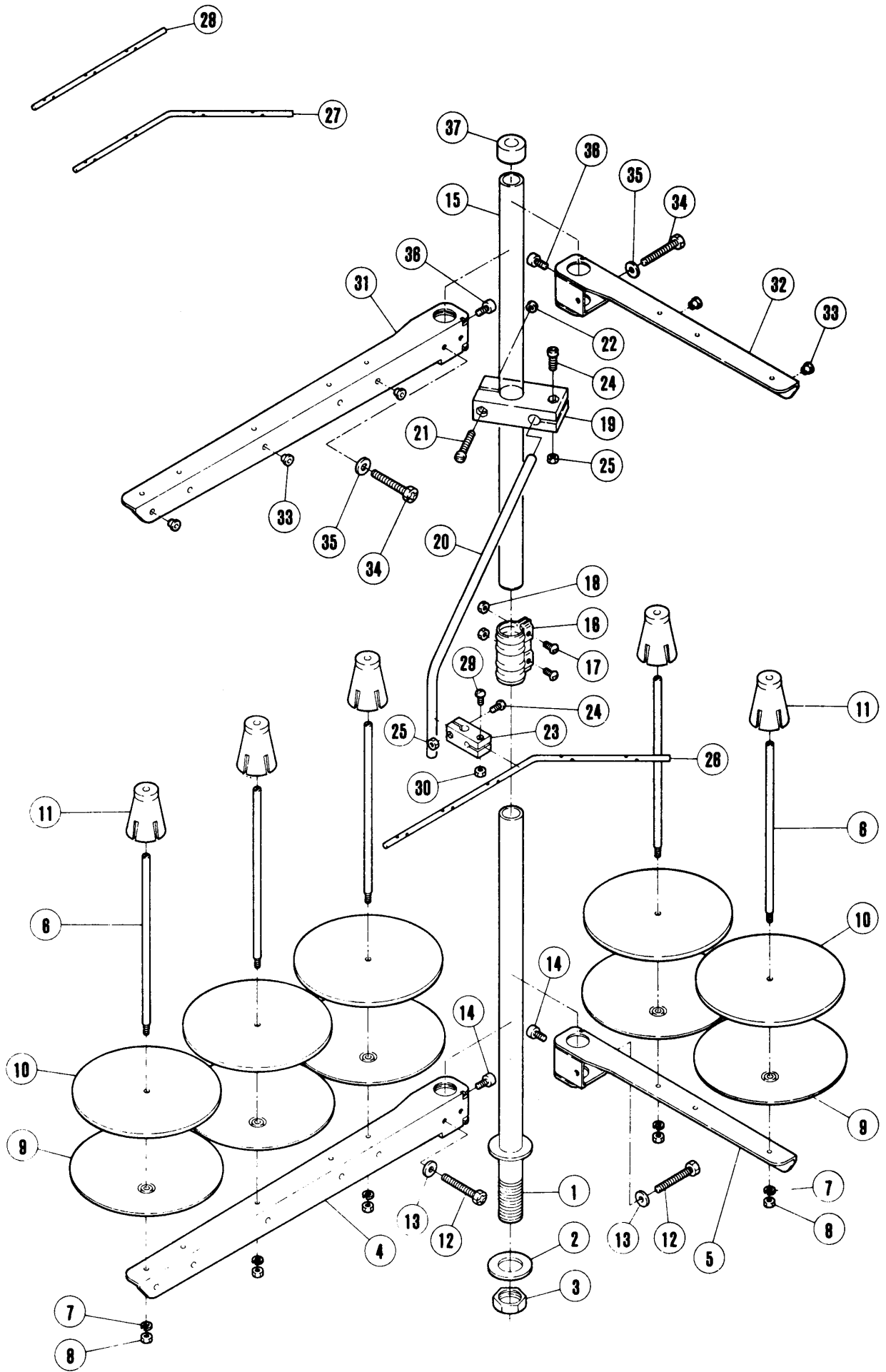


27 2 for needle threads.
1 for upper looper
thread.



**SPECIFIC PARTS FOR
E56-270,-271,-272**

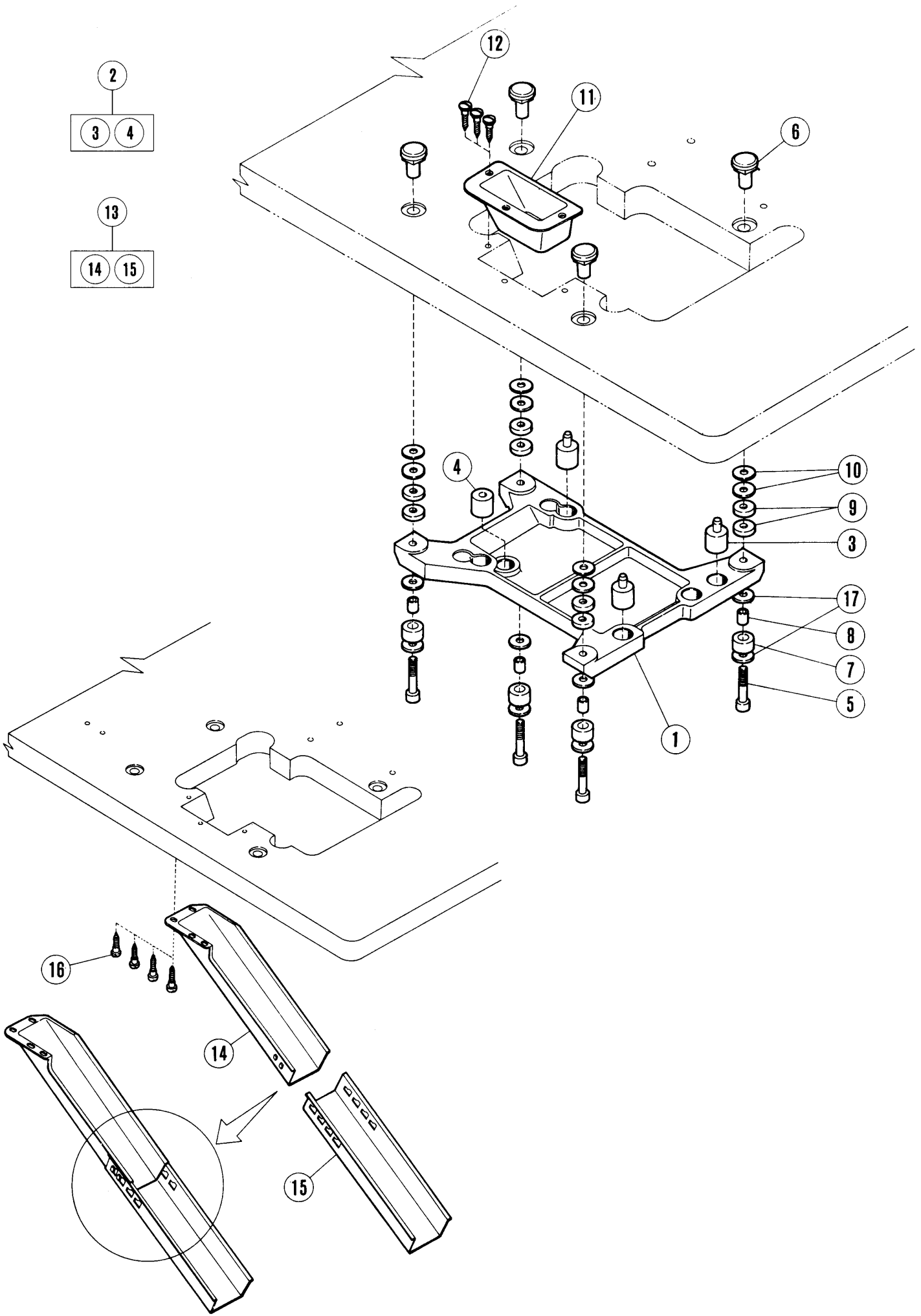
REF. NO.	PART NO.	NAME	QT.	MEMO
1	211563	FEED ECCENTRIC	1	
2	210128	FEED ECCENTRIC RETAINER	1	
3	211805	STOPPER	1	
4	1333	SCREW	1	
5	211556	THREAD TENSION COMPLETE	3	
6	208447	POST NUT	1	
7	208448	SPRING BUSHING	1	
8	211562	THREAD TENSION COMPLETE	1	
9	208450	CAP	1	
10	210319	DISC	2	
11	208449	FELT	1	
12	5082A	SCREW STUD	1	
13	210090	TENSION GUIDE/2 NDL	1	
14	211452	SHIM/0.8MM	1	
15	211453	SHIM/1.2MM	1	
16	211560	NEEDLE THREAD TAKEUP	1	
17	211561	NEEDLE THREAD GUIDE (CENTER)	1	
18	211563	FEED ECCENTRIC	1	
19	210128	FEED ECCENTRIC RETAINER	1	
20	211805	STOPPER	1	
21	1333	SCREW	1	
22	211556	THREAD TENSION COMPLETE	3	
23	211563	FEED ECCENTRIC	1	
24	210128	FEED ECCENTRIC RETAINER	1	
25	211805	STOPPER	1	
26	1333	SCREW	1	
27	210530	THREAD TENSION COMPLETE	3	
28	208447	POST NUT	1	
29	208448	SPRING BUSHING	1	
30	201086	TENSION SPRING (MEDIUM)	1	
31	208450	CAP	1	
32	210319	DISC	2	
33	208449	FELT	1	
34	5082A	SCREW STUD	1	
35	211560	NEEDLE THREAD TAKEUP	1	
36	211561	NEEDLE THREAD GUIDE (CENTER)	1	
37	211452	SHIM/0.8MM	1	
38	211453	SHIM/1.2MM	1	
39	210933	PRESSER ARM	1	
40	211534	PRESSER FOOT STOPPER	1	
41	1229	SCREW	1	
42	208953	STOPPER	1	



糸立台

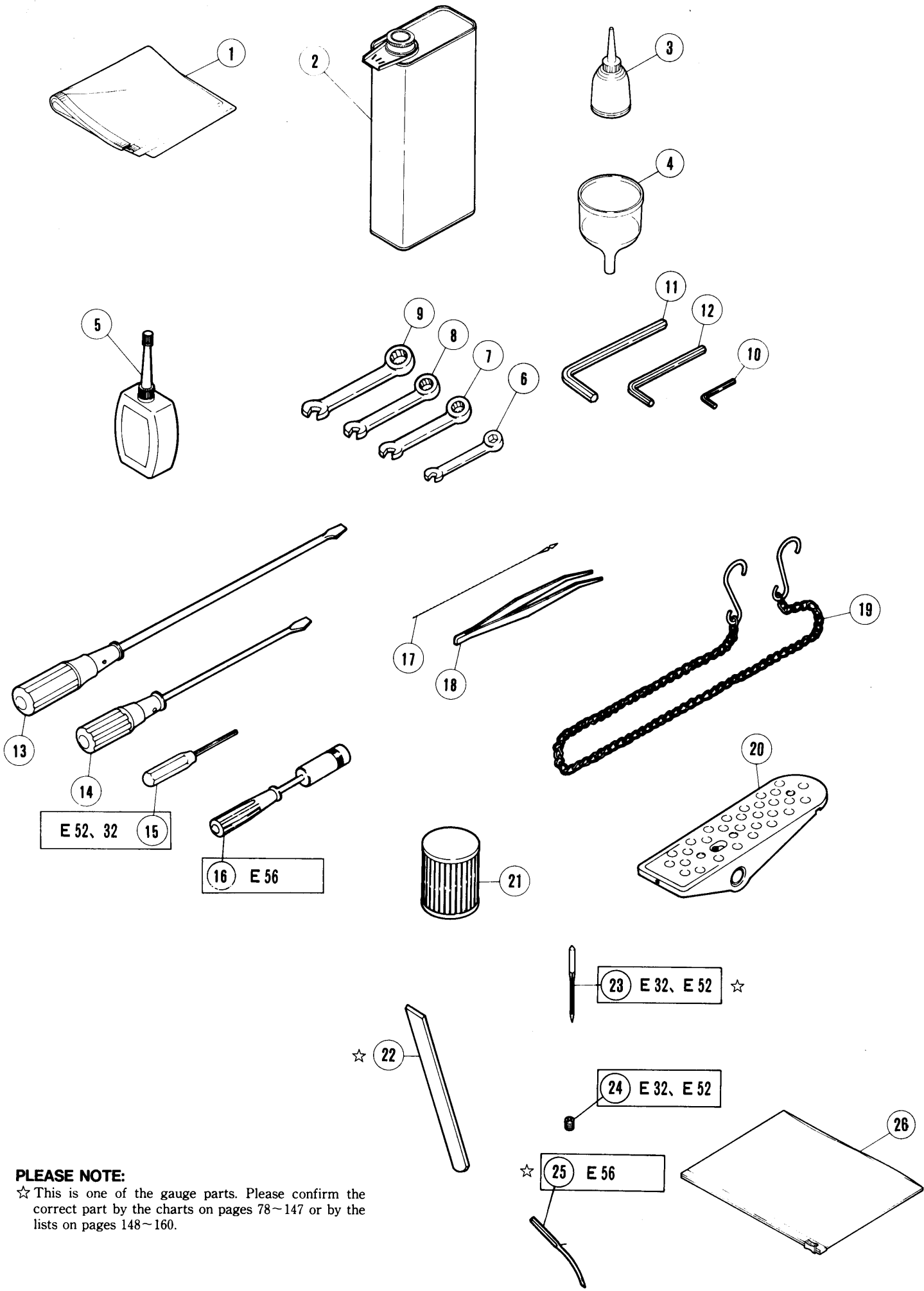
THREAD STAND

REF. NO.	PART NO. ブバン	メイショウ	NAME	SPOOLS: 3 4 5		
				3	4	5
	486C91	糸立(組)(3本立)	Thread stand assembly (3-spools)	1		
	486B91	" " (4本立)	" " " (4-spools)		1	
	486A91	" " (5本立)	" " " (5-spools)			1
1	503-JA	スタンド棒(下)	Thread stand rod (lower)	1	1	1
2	509	座金	Washer	1	1	1
3	5476	六角ナット	Nut	1	1	1
4	505-JA	ブラケット(3本立)	Bracket	1		1
5	505AJA	" (2本立)	Bracket		2	1
6	380A	糸立棒	Spool pin	3	4	5
7	201252	バネ座金	Spring washer	3	4	5
8	4803	六角ナット	Nut	3	4	5
9	381-JA	糸立受皿	Spool tray	3	4	5
10	507	ウレタン	Seat	3	4	5
11	382-JA	ユレ止メ	Spool retaining fig	3	4	5
12	7102	六角ネジ	Screw	1	2	2
13	512	座金	Washer	1	2	2
14	4022	平ネジ	Screw	1	2	2
15	502-JA	スタンド棒(上)	Thread stand rod (upper)	1	1	1
16	504-JA	ジョイント	Joint	1	1	1
17	4021	平ネジ	Screw	2	2	2
18	4805	六角ナット	Nut	2	2	2
19	383-JA	ブラケット	Bracket	1	1	1
20	384	糸道棒腕	Thread guide bar	1	1	1
21	4014	六角ネジ	Screw	1	1	1
22	4803	六角ナット	Nut	1	1	1
23	233-JA	ホルダー	Holder	1	1	1
24	4012	平ネジ	Screw	2	2	2
25	4803	六角ナット	Nut	2	2	2
26	293A	" (5本立)	Thread guide bar (5-spools)			1
27	293B	" (4本立)	Thread guide bar (4-spools)		1	
28	293C	" (3本立)	Thread guide bar (3-spools)	1		
29	4012	平ネジ	Screw	1	1	1
30	4803	六角ナット	Nut	1	1	1
31	505-JA	ブラケット(3本立)	Bracket	1		1
32	505AJA	ブラケット(2本立)	Bracket		2	1
33	506	糸目孔	Thread eyelet	3	4	5
34	7102	六角ネジ	Screw	1	2	2
35	512	座金	Washer	1	2	2
36	4022	平ネジ	Screw	1	2	2
37	386	キャップ	Cap	1	1	1



PARTS FOR SEMI-SUBMERGED INSTALLATION

REF. NO.	PART NO.	NAME	QT.	MEMO
1	205466	MACHINE REST BOARD	1	
2	9029	CUSHION RUBBER SET	1	
3	205473	CUSHION RUBBER	3	
4	210523	CUSHION RUBBER	1	
5	4513	HANGER BOLT	4	
6	206336	NUT	4	
7	205764	CUSHION RUBBER	4	
8	205765	LINER	4	
9	205467	SPACER	12	
10	206337	WASHER	8	
11	205470-JA	WASTE CHUTE TOP	1	
12	4904	SCREW	3	
13	9050	WASTE CHUTE SET	1	
14	205468-JA	UPPER CHUTE	1	
15	205469-JA	LOWER CHUTE	1	
16	4905	SCREW	4	
17	206337	WASHER	8	



PLEASE NOTE:

☆ This is one of the gauge parts. Please confirm the correct part by the charts on pages 78~147 or by the lists on pages 148~160.

ACCESSORIES

REF. NO.	PART NO.	NAME	QT.	MEMO
1	908	NYLON COVER	1	
2	453	OIL CONTAINER/1000CC	1	
3	485	OILER	1	
4	484	FUNNEL	1	
5	178	SILICONE OIL CONTAINER/50CC	1	
6	391	WRENCH 5MM	1	
7	283	WRENCH 6MM	1	
8	284	WRENCH 7MM	1	
9	285	WRENCH 8MM	1	
10	322	ALLEN KEY/2.38MM 3/32"	1	
11	272	ALLEN KEY/6.0MM 15/64"	1	
12	200	ALLEN KEY/4.76MM 3/16"	1	
13	127	SCREWDRIVER	1	
14	128	SCREWDRIVER	1	
15	179	ALLEN KEY DRIVER/1.56MM	1	
16	152	WRENCH/7MM		
17	153	THREADING WIRE	1	
18	131	TWEEZERS	1	
19	392	CHAIN	1	
20	478	TREADLE	1	
21	206233	OIL FILTER	1	
☆22	XXXXXX	LOWER KNIFE	2	
☆23	XXXXXX	NEEDLE	10	
24	5292	SCREW	2	
☆25	XXXXXX	NEEDLE	5	
26	482	ACCESSARY BAG	1	

515-E32-410 /212 515-E32-410A /212 515-E32-410 /211

<p>NG×SW</p> <p>2×3 210833</p> <p>2×4 210834</p> <p>2×5 210835</p> <p>2×6 210836</p> <p>3×3 210837</p> <p>3×4 210838</p> <p>3×5 210839</p> <p>3×6 210840</p>	
--	--

210892

210887 210919

210578

210486 204425

210889

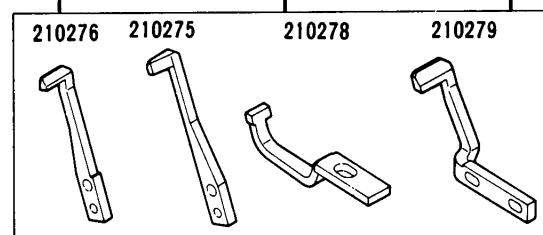
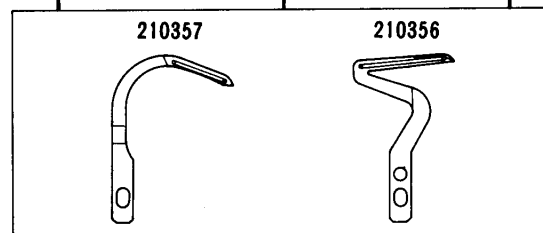
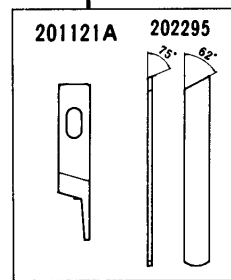
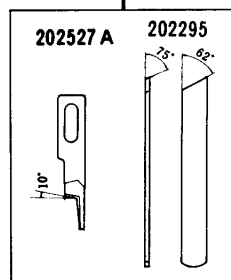
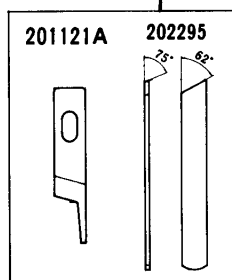
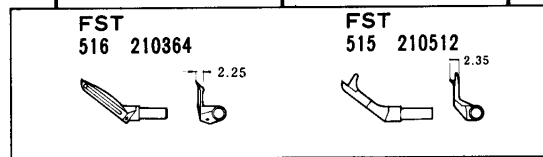
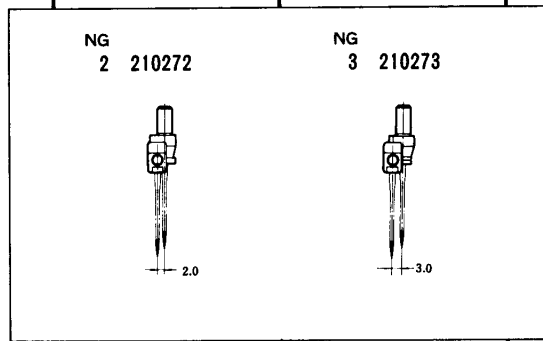
210491








<p>NG</p> <p>2 208503</p>	<p>NG</p> <p>3 208504</p>
---------------------------	---------------------------

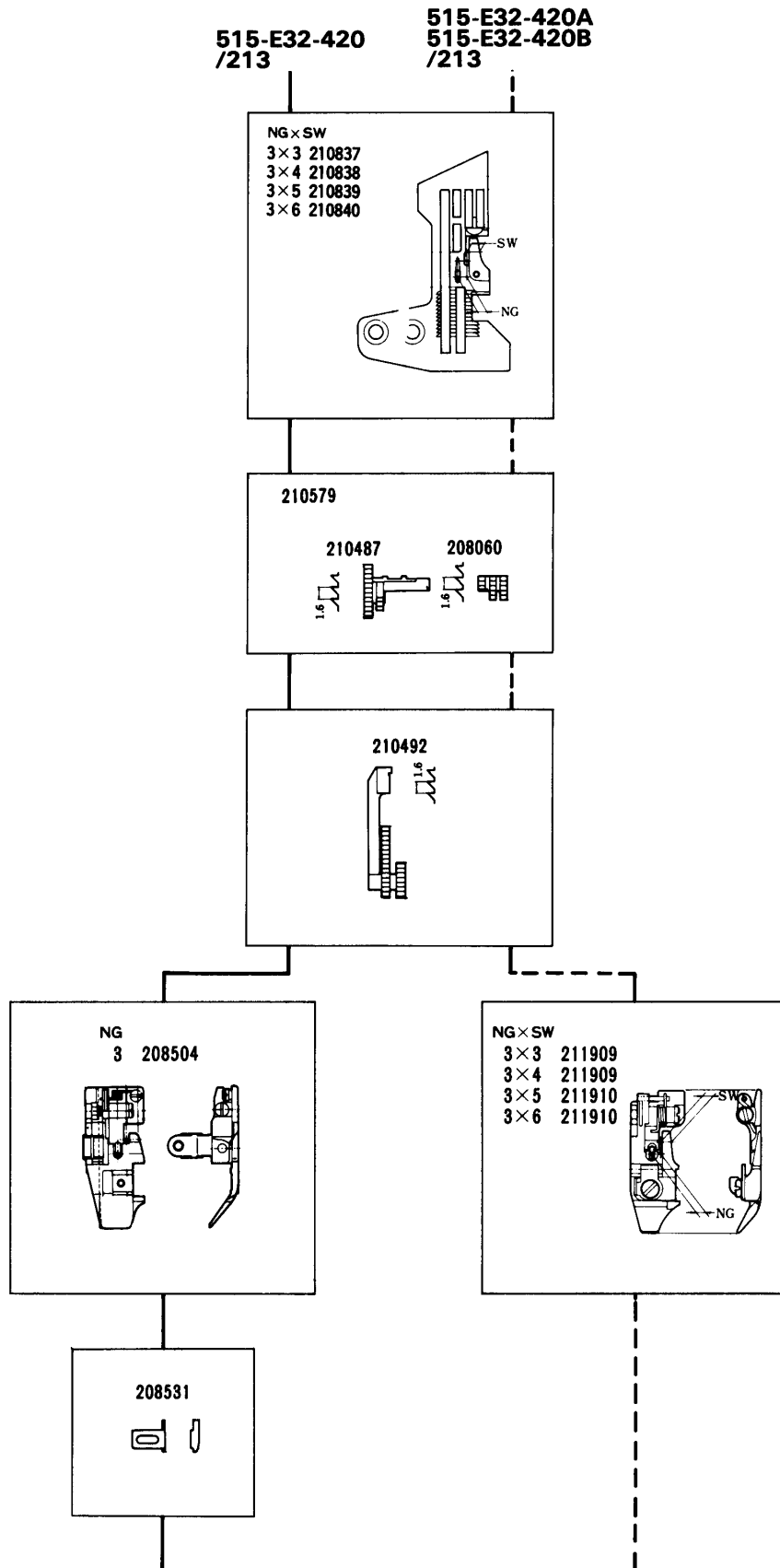
<p>NG×SW</p> <p>2×2 211907</p> <p>2×3 211907</p> <p>2×4 211908</p> <p>2×5 211908</p>	<p>NG×SW</p> <p>3×3 211909</p> <p>3×4 211909</p> <p>3×5 211910</p> <p>3×6 211910</p>

208531

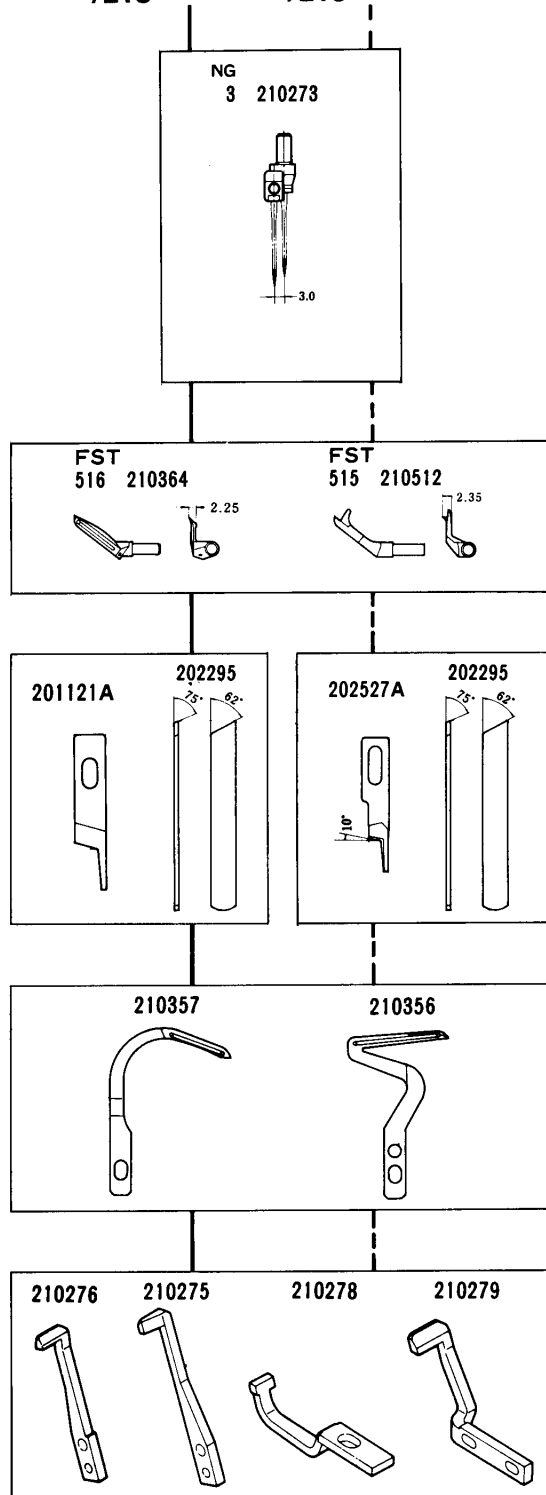
515-E32-410 /212 515-E32-410A /212 515-E32-410B /211










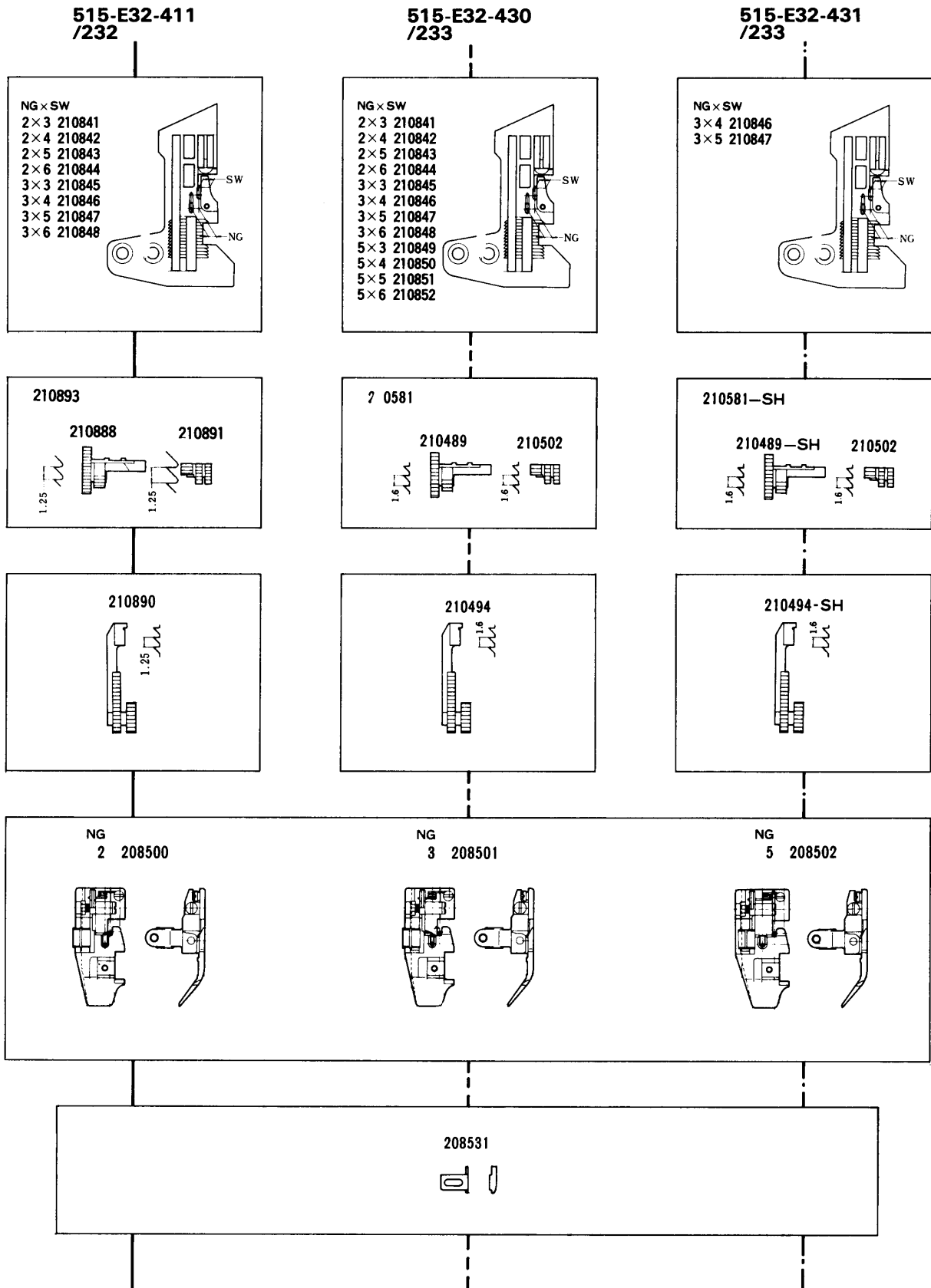
						MEMO	
515-E32-410/211-	3.6	2 3	3·4·5·6	0.7~2	7,500		Specially designed to prevent seam puckering. The extra fine tooth pitch (1.0mm) makes it ideal for permapress fabrics, nylon linings etc.
515-E32-410/212-						Fine tooth pitch makes these ideal for seaming on permapress fabrics, nylon linings etc.	
515-E32-410A/212-						Ideal for seaming on permapress fabrics, nylon linings, etc. Specially designed for curved seaming. Equipped with an ordinary presser arm.	
515-E32-410B/212-						Ideal for seaming on permapress fabrics, nylon linings, etc. Specially designed for curved seaming. Equipped with a floating presser arm.	

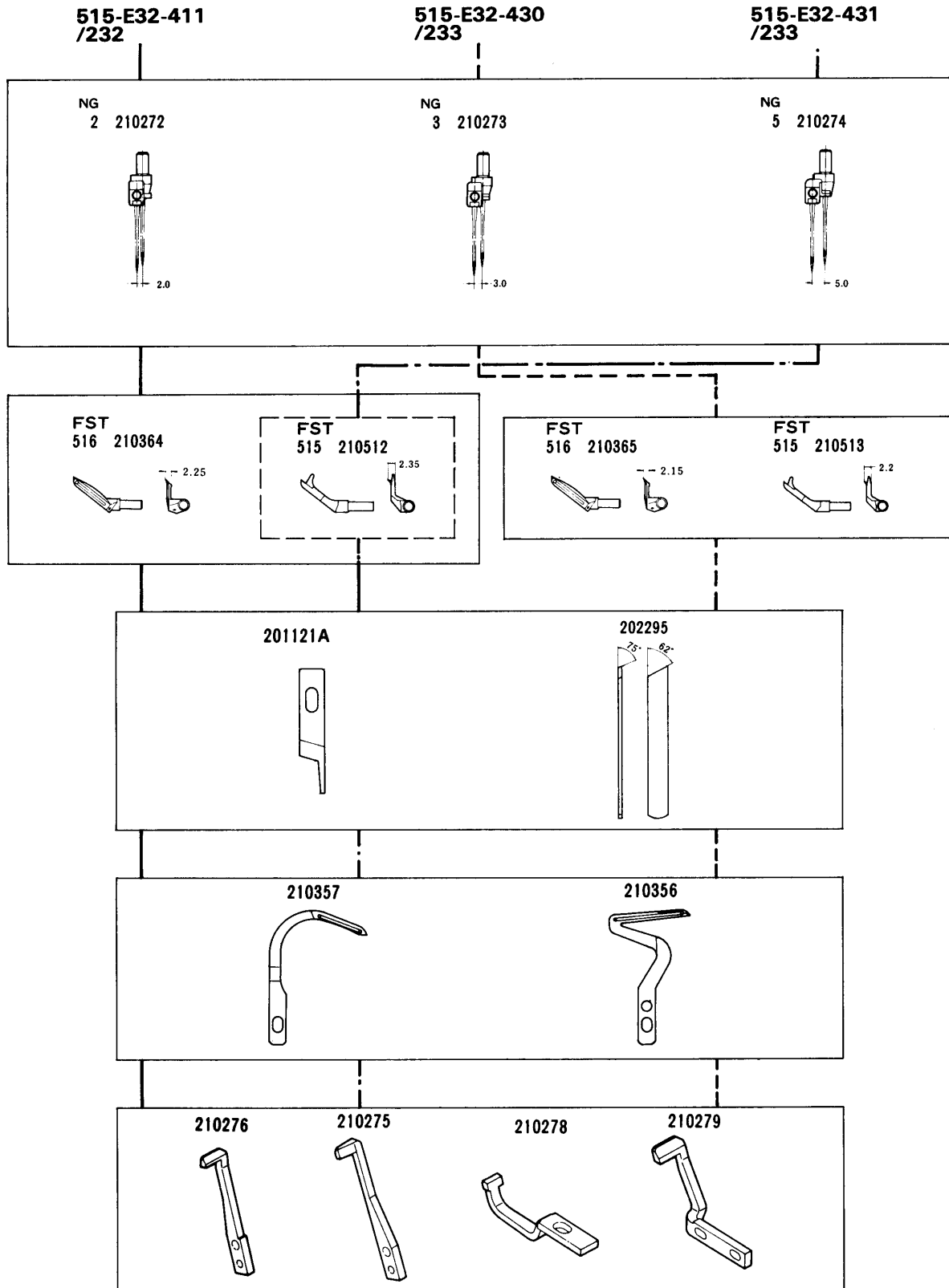





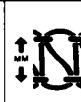



515-E32-420 /213 515-E32-420A /213
 515-E32-420B /213



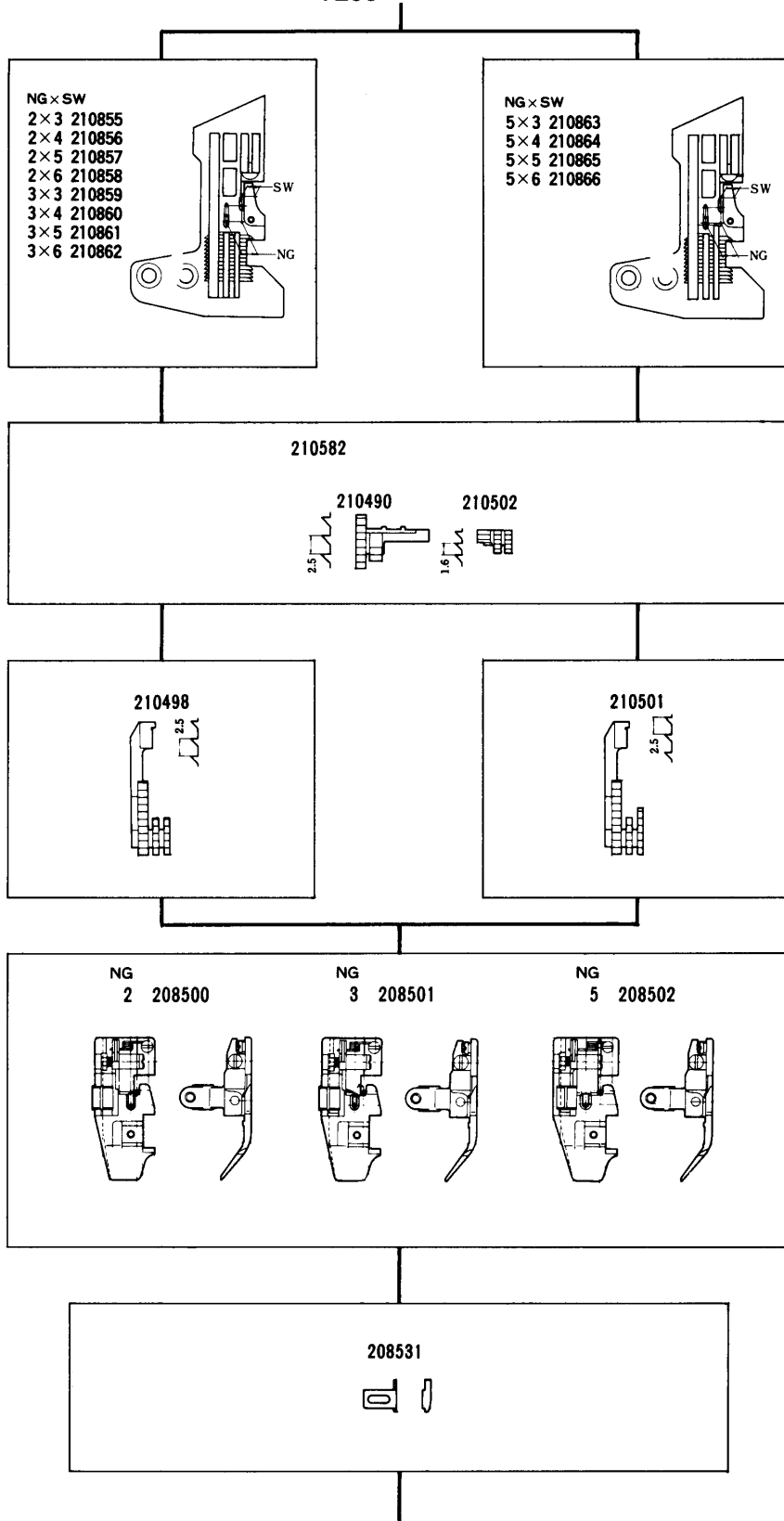
						MEMO	
515-E32-420/213-							For general seaming on woven or knit fabrics such as slacks, pajamas, shirts, sweatpants etc.
515-E32-420A/213-	3.6	3	3·4·5·6	0.7~2	7,500		Seaming on light to medium weight fabrics. Specially designed for curved seaming. Equipped with an ordinary presser arm.
515-E32-420B/213-							Seaming on light to medium weight fabrics. Specially designed for curved seaming. Equipped with a floating presser arm.



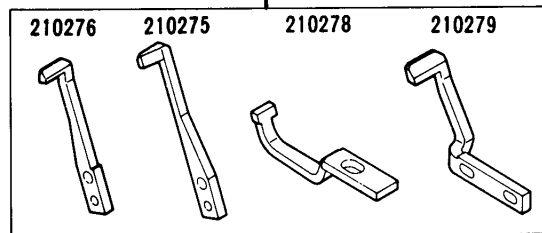
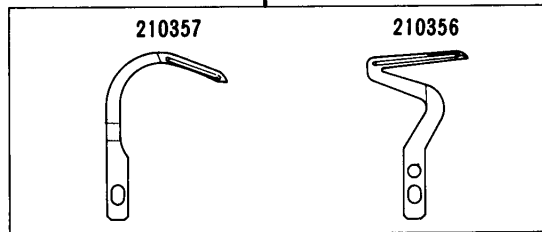
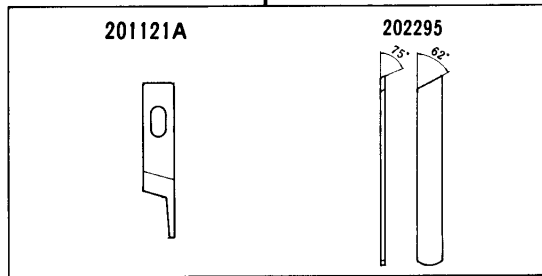
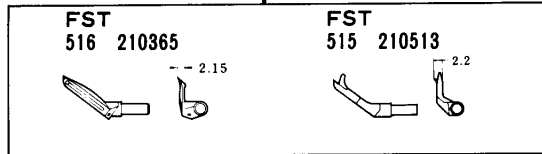
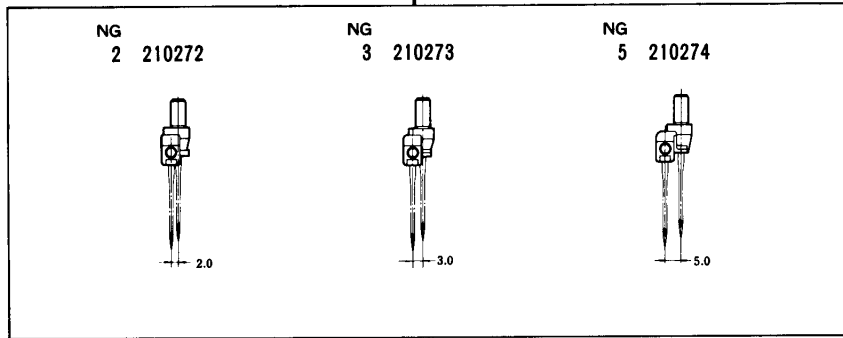


						MEMO	
515-E32-411/232-		2 3	3-4-5-6				Fine tooth pitch makes these ideal for seaming on permapress fabrics, nylon linings etc.
515-E32-430/233-	3.6	2 3 5	3-4-5-6	0.7~2	7,500		For general seaming on woven or knit fabrics such as slacks, pajamas, shirts, sweatpants etc.
515-E32-431/233-		3	4-5				

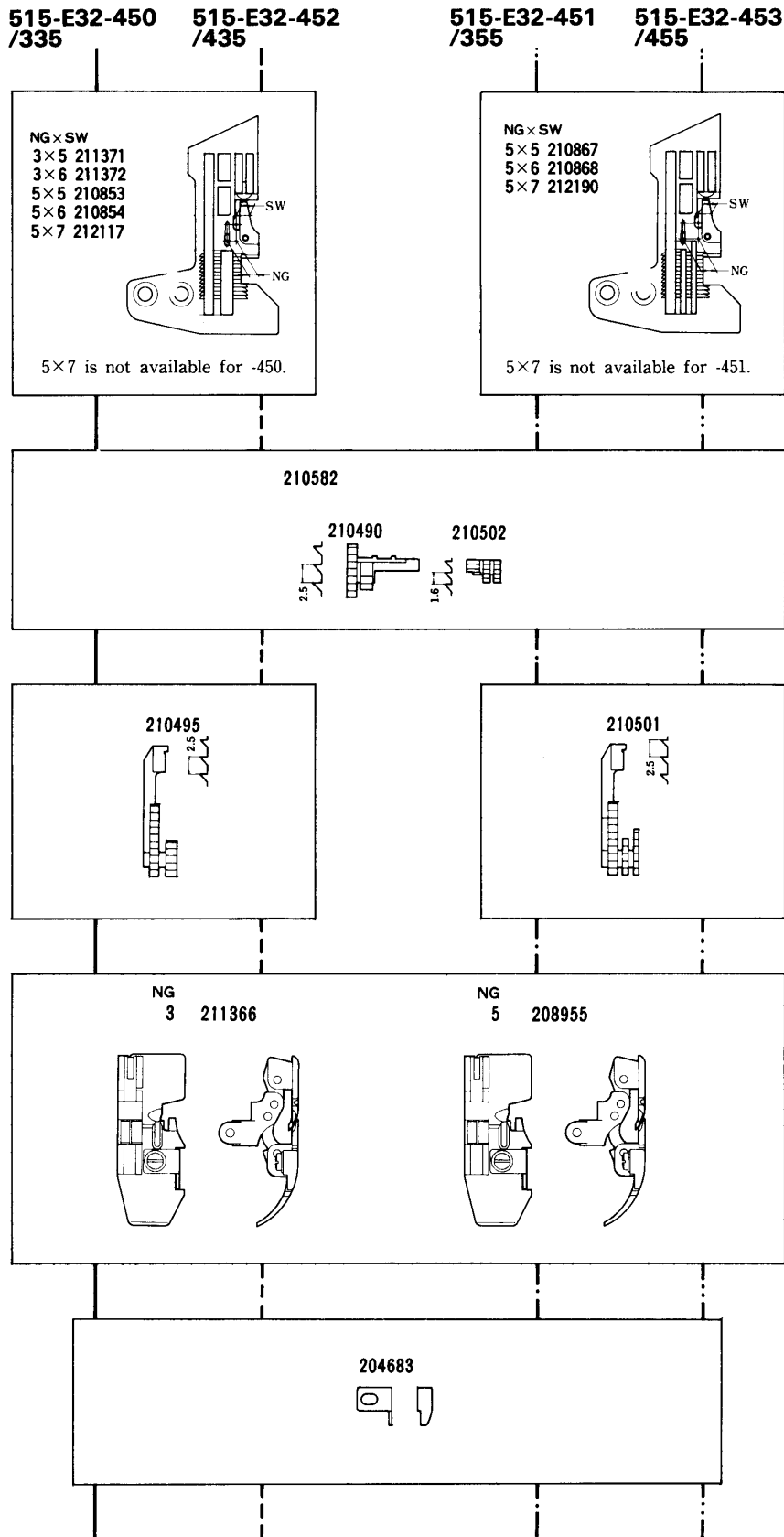
515-E32-440
/255



515-E32-440
/255



						MEMO	
515-E32-440/255-	3.6	2 3 5	3·4·5·6	0.7~2	7,000		For Seaming on heavyweight materials such as jeans.

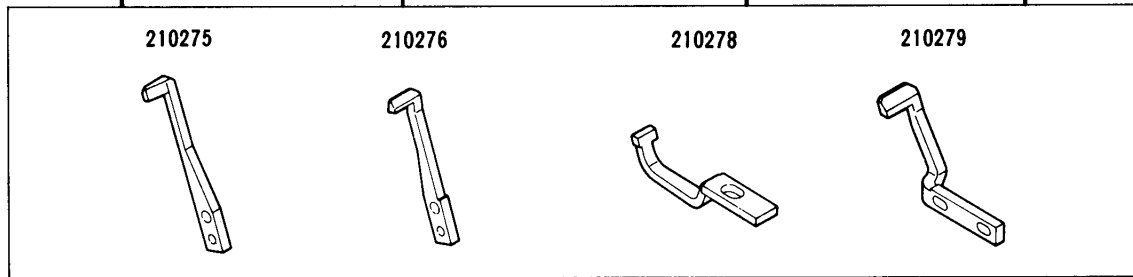
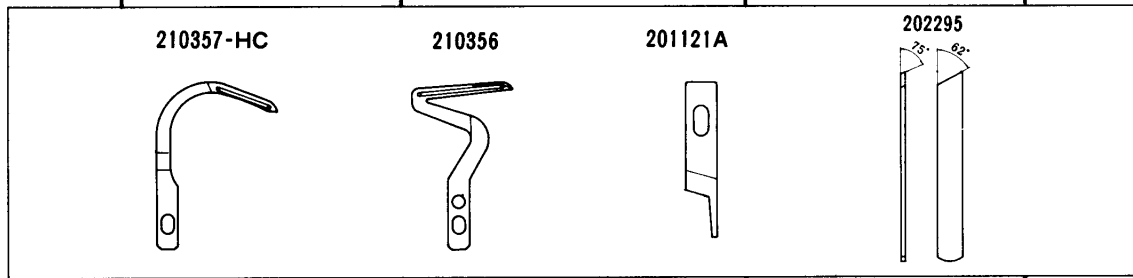
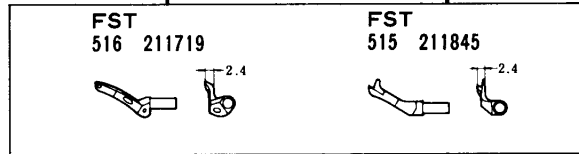
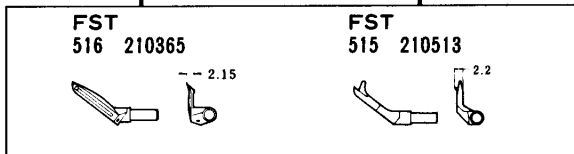
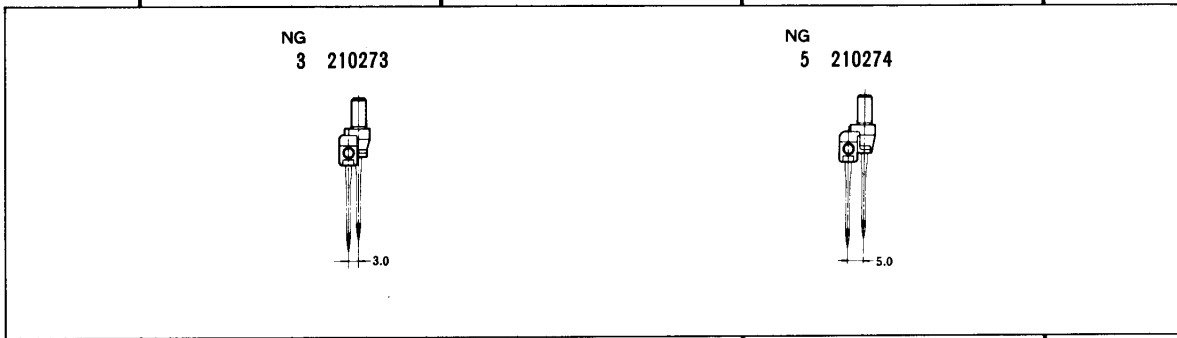









515-E32-450
/335

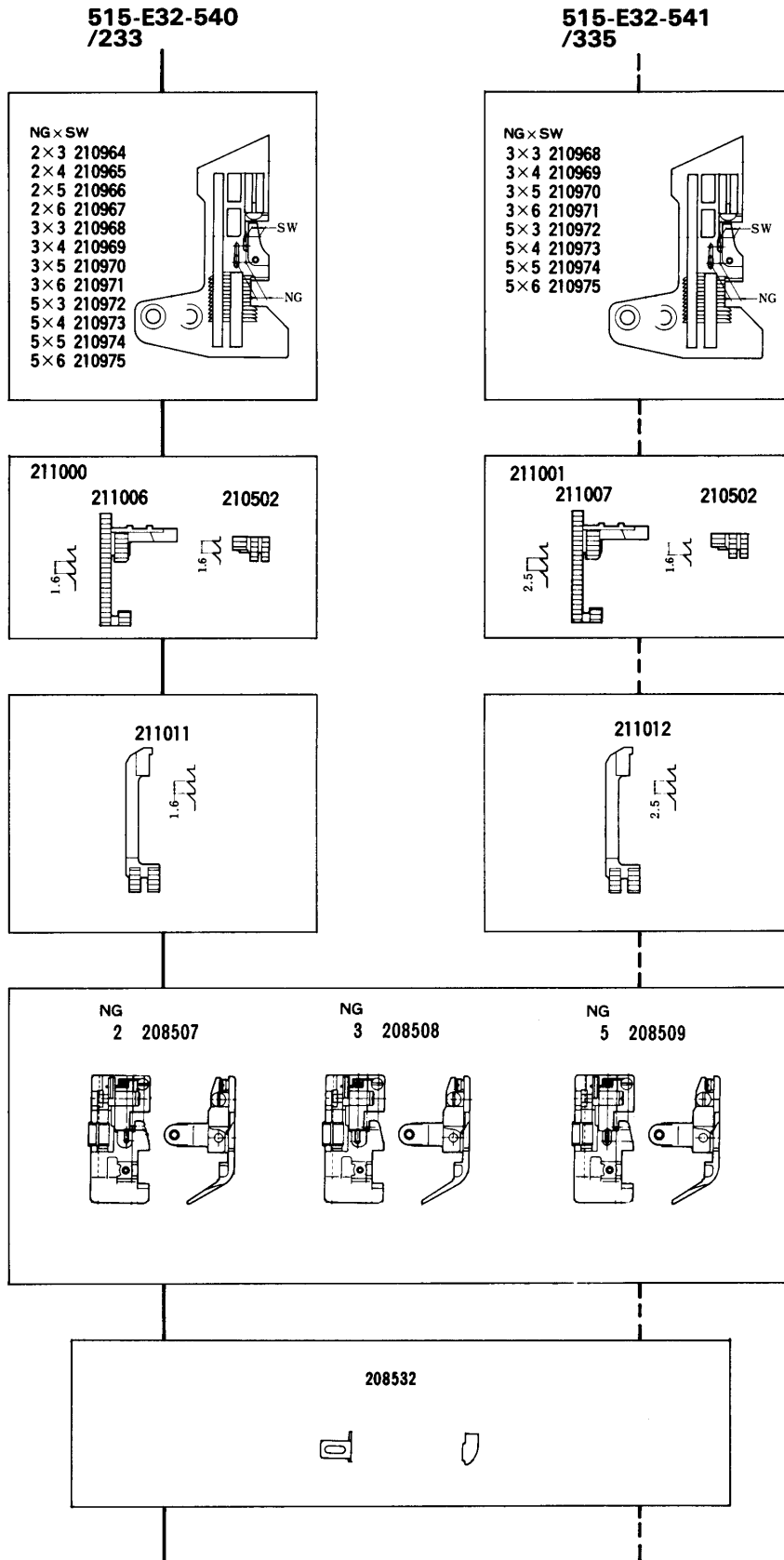
515-E32-452
/435

515-E32-451
/355

515-E32-453
/455

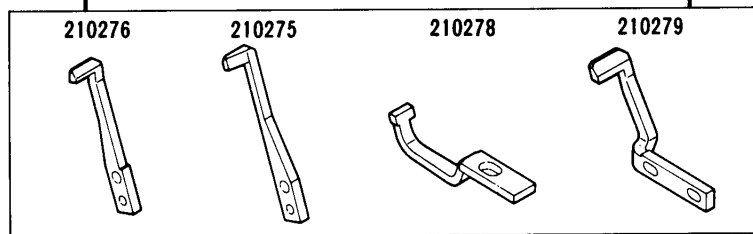
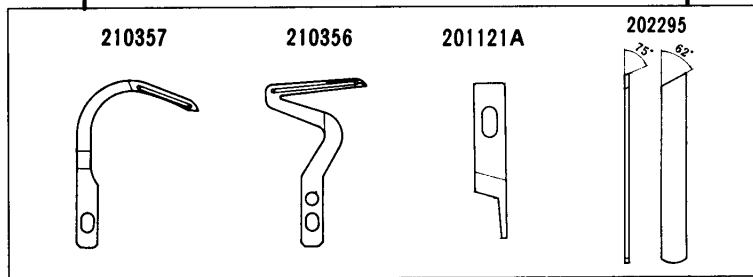
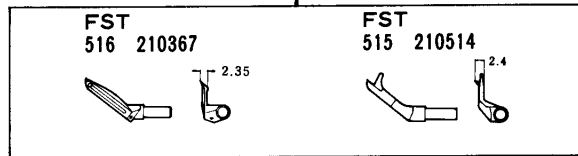
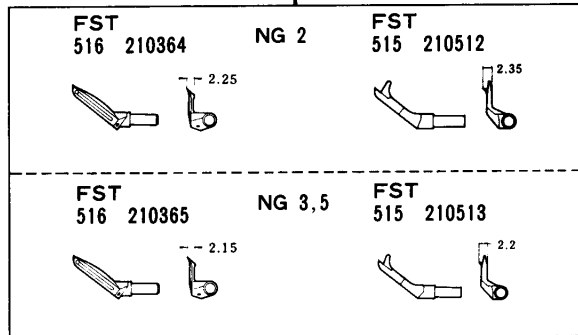
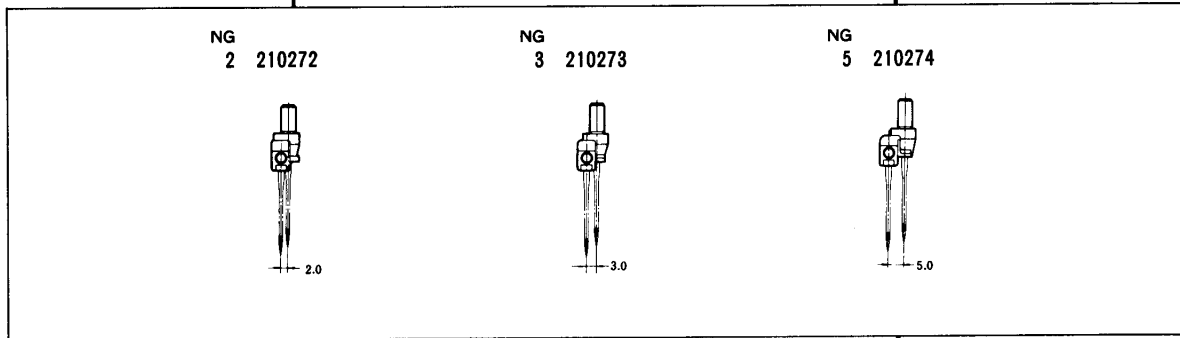


						MEMO	
515-E32-450/335-	5	3	5-6	0.7~1.4	6,500		Fitted with caterpillar foot for trouble-free seaming on jeans, workwear etc.
515-E32-451/355-		5	5-6				
515-E32-452/435-		3	5-6-7				
515-E32-453/455-		3	5-6-7				



515-E32-540
/233

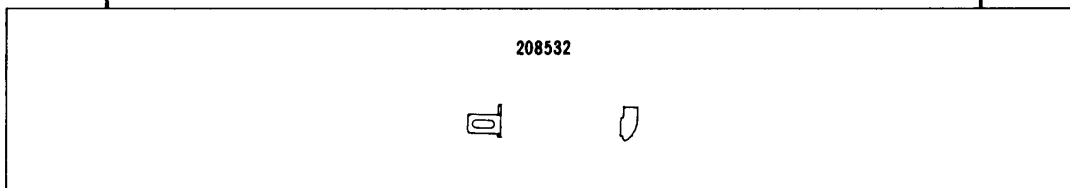
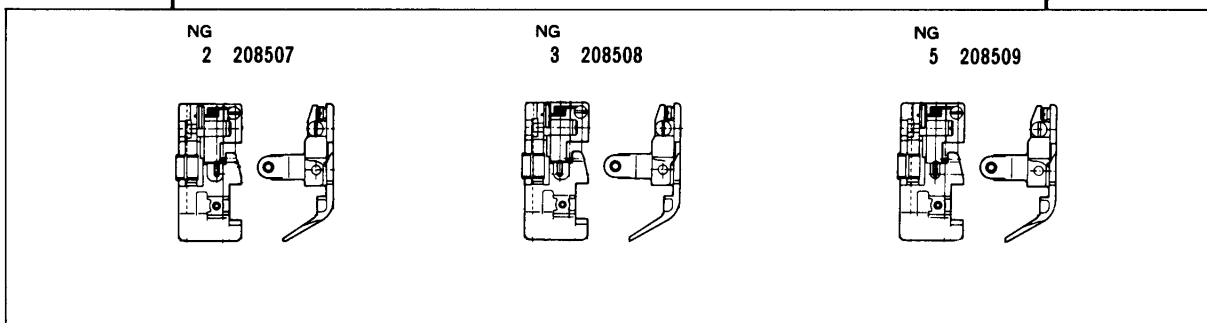
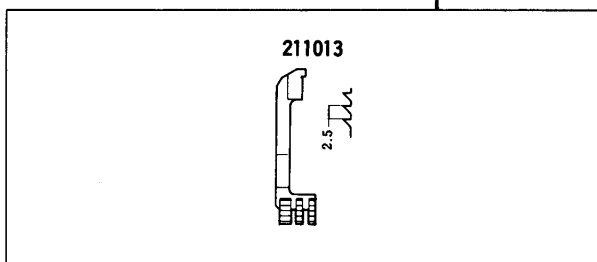
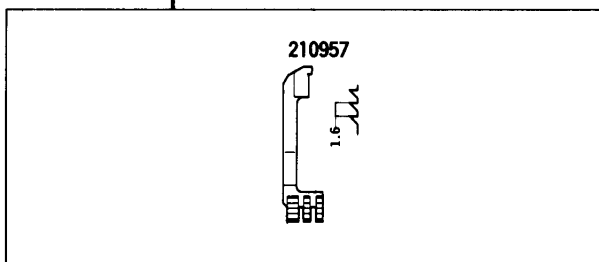
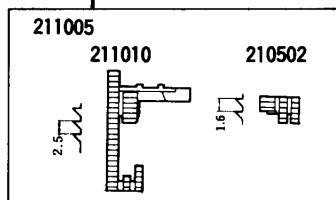
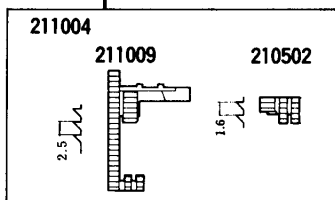
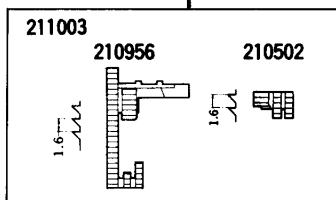
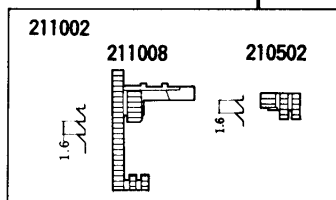
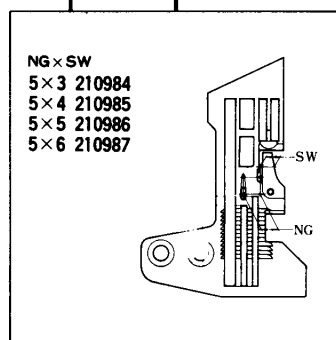
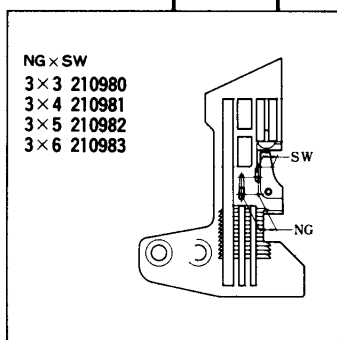
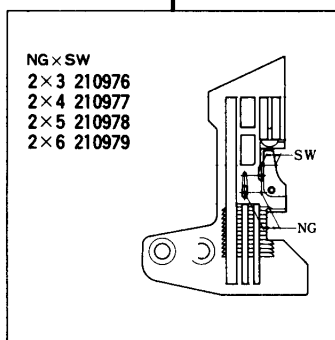
515-E32-541
/335



						MEMO	
515-E32-540/233-	3.2	2	3·4·5·6	0.8~3	7,000		For intermittent shirring on light to medium weight materials such as negligee, curtains etc.
515-E32-541/335-		3					5

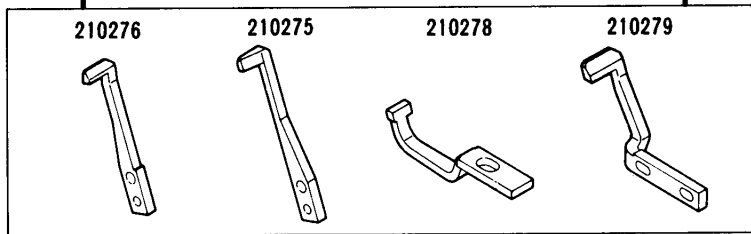
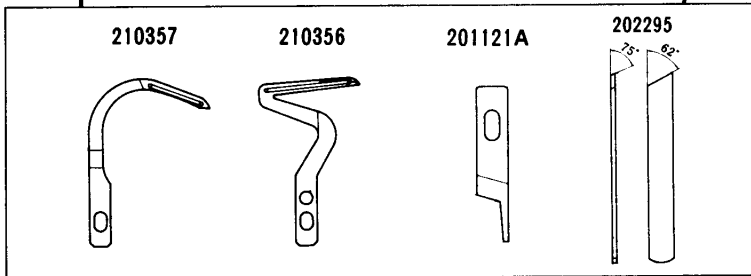
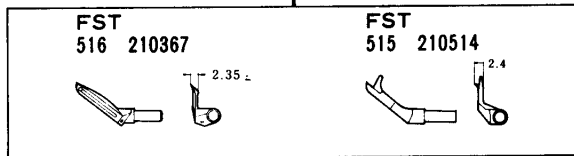
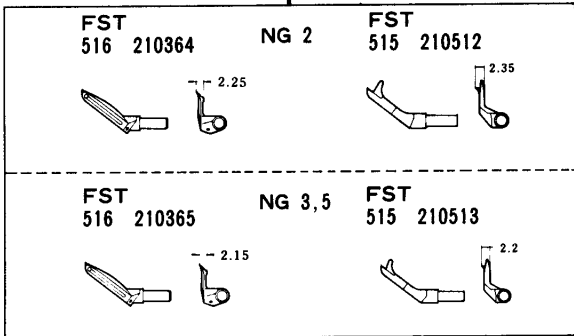
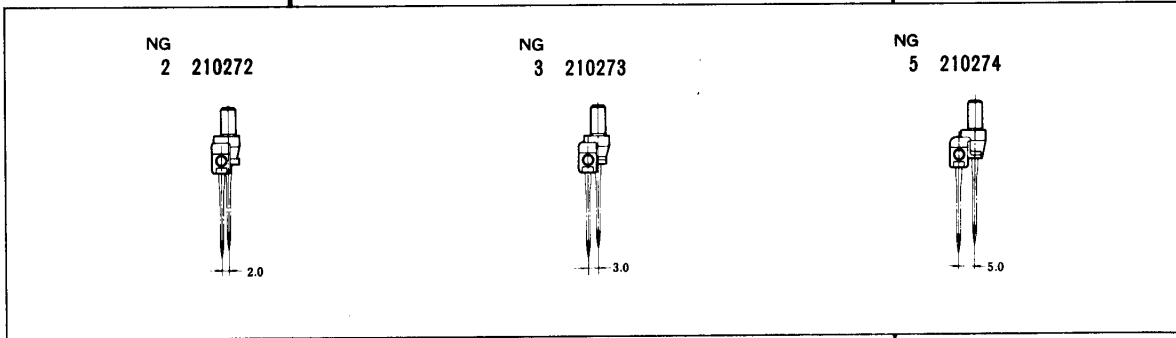
515-E32-542
/253

515-E32-543
/355

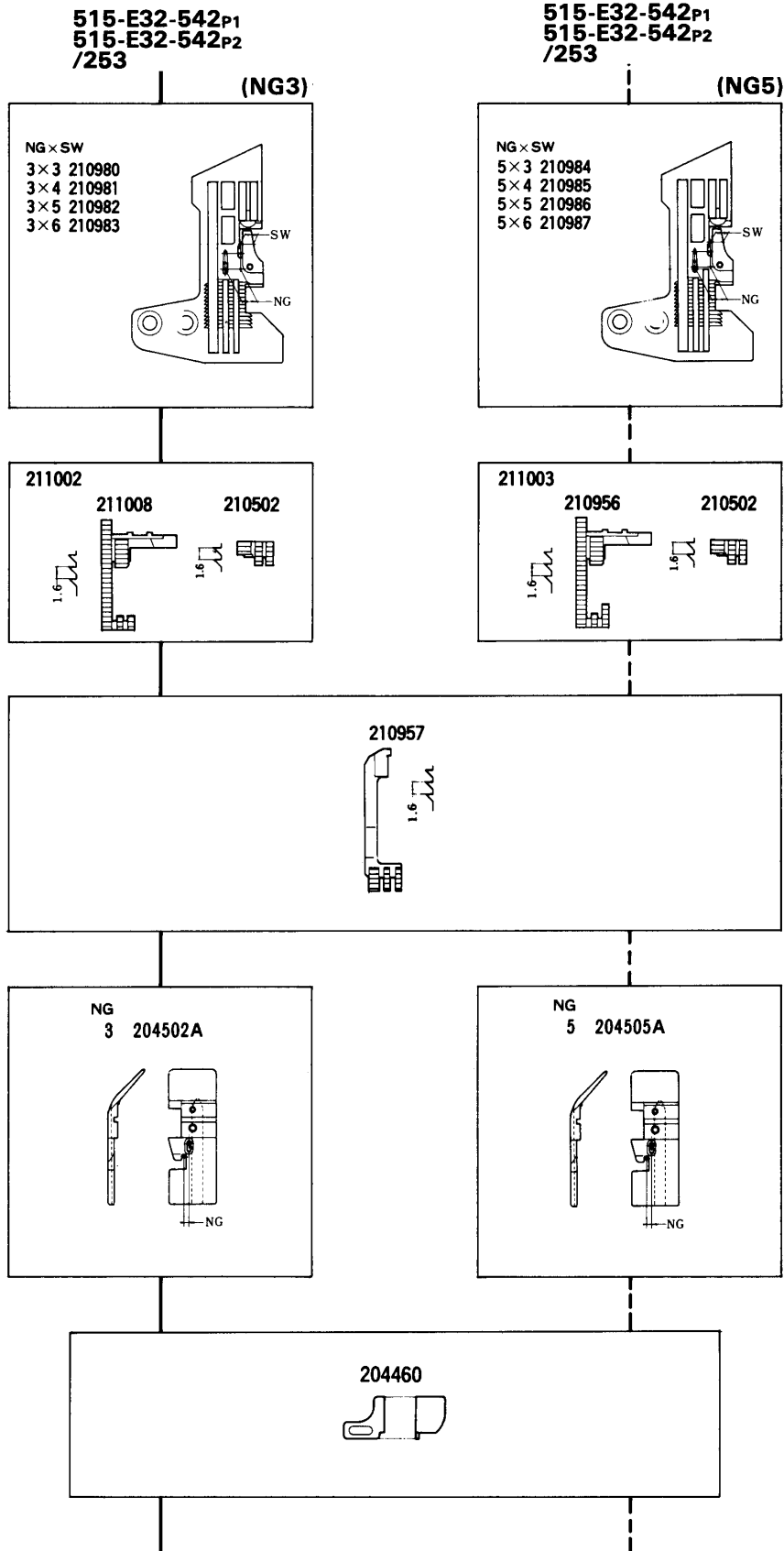


515-E32-542
/253

515-E32-543
/355

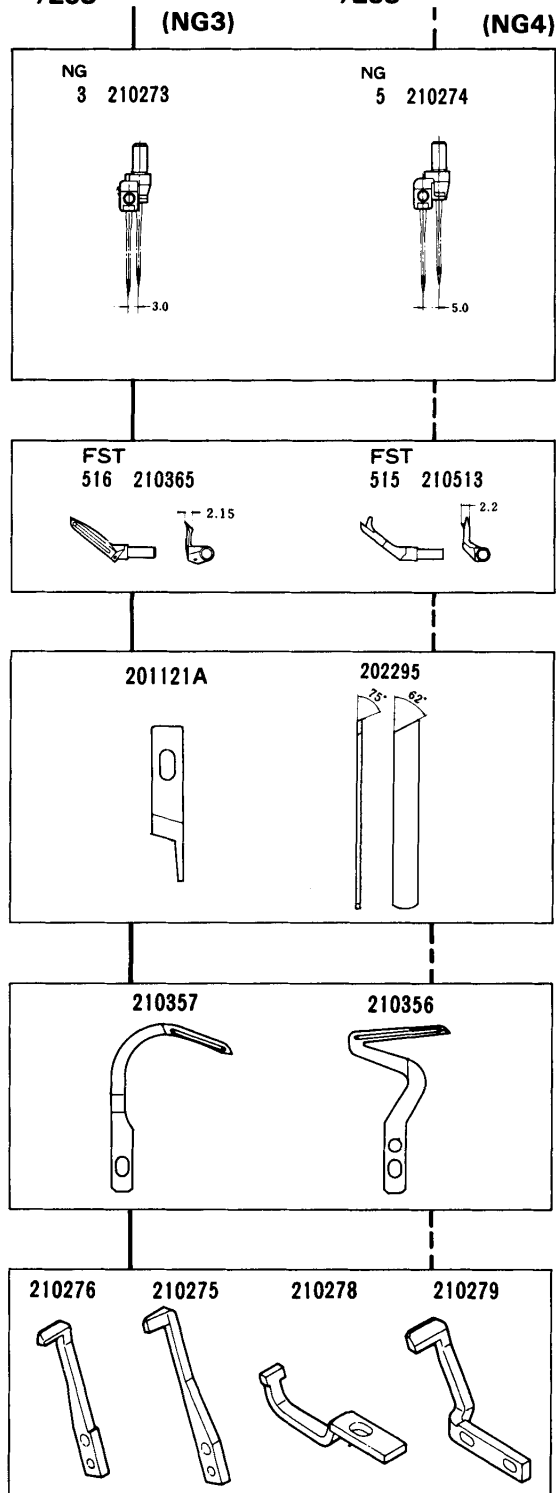


						MEMO	
515-E32-542/253-	3.2	2 3 5	3·4·5·6	0.8~3	7,000		For intermittent shirring on light to medium weight materials such as negligee, curtains etc.
515-E32-543/355-		3 5					For shirring on heavier weight materials such as nightgowns, curtains etc.

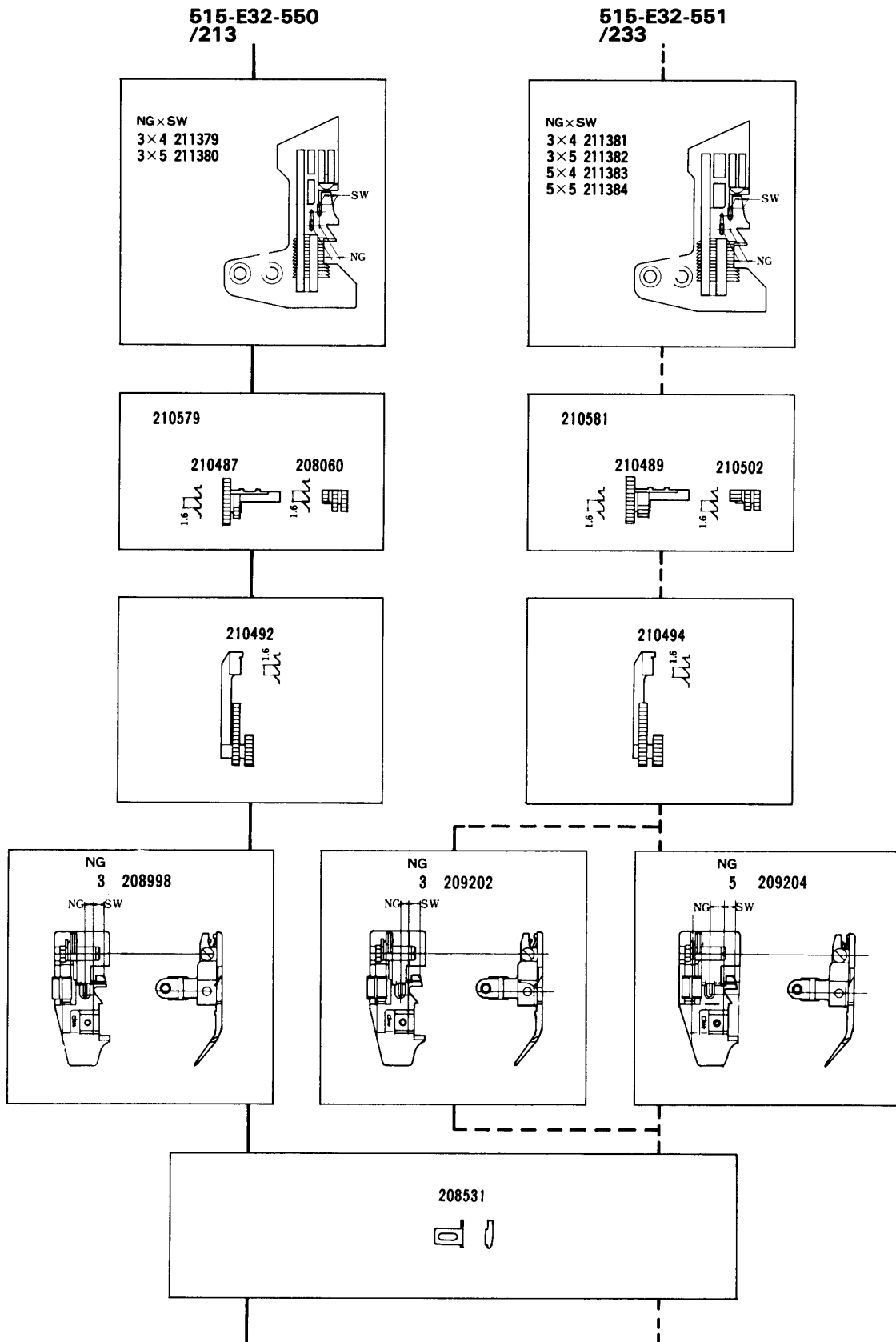


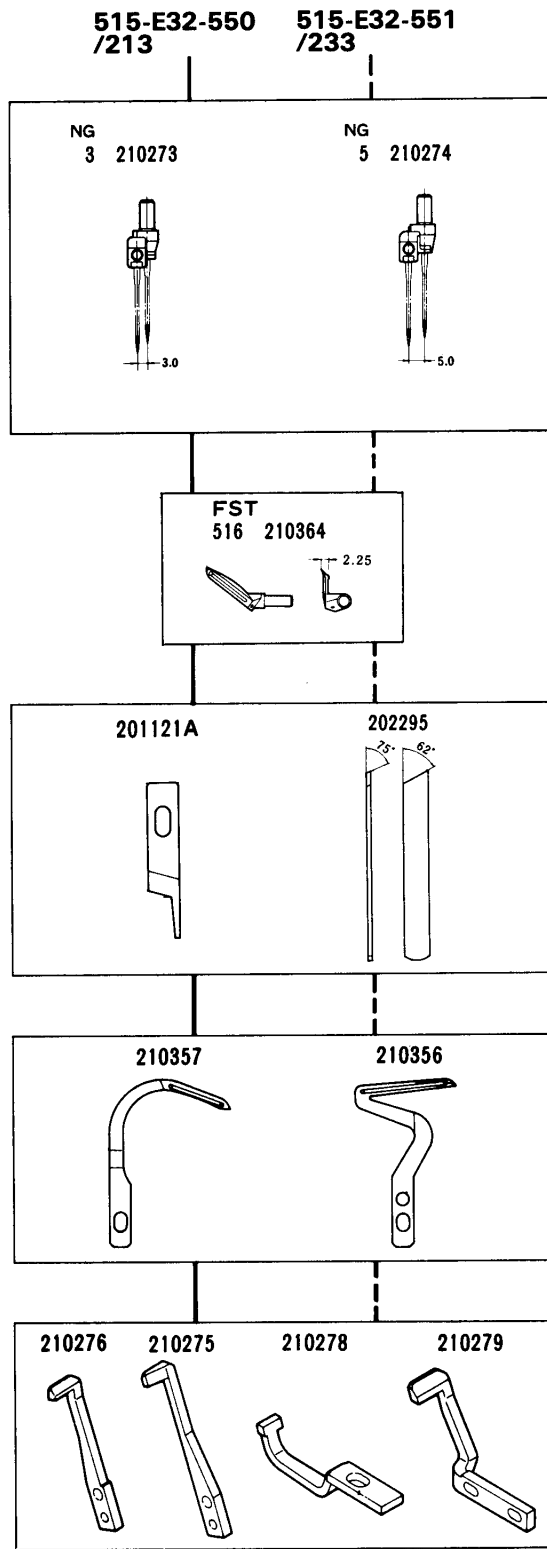
515-E32-542P1
515-E32-542P2
/253








515-E32-542P1
515-E32-542P2
/253

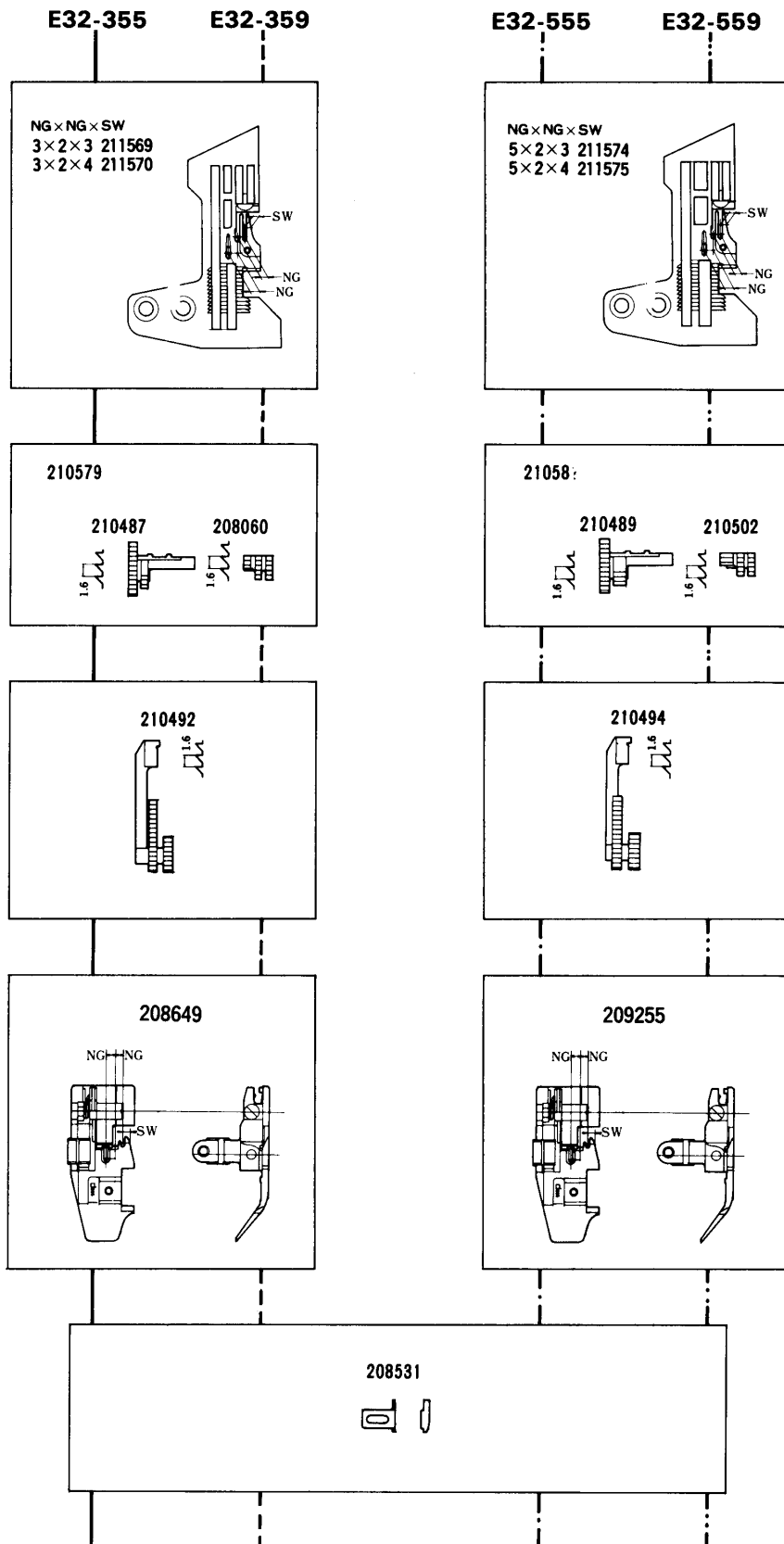


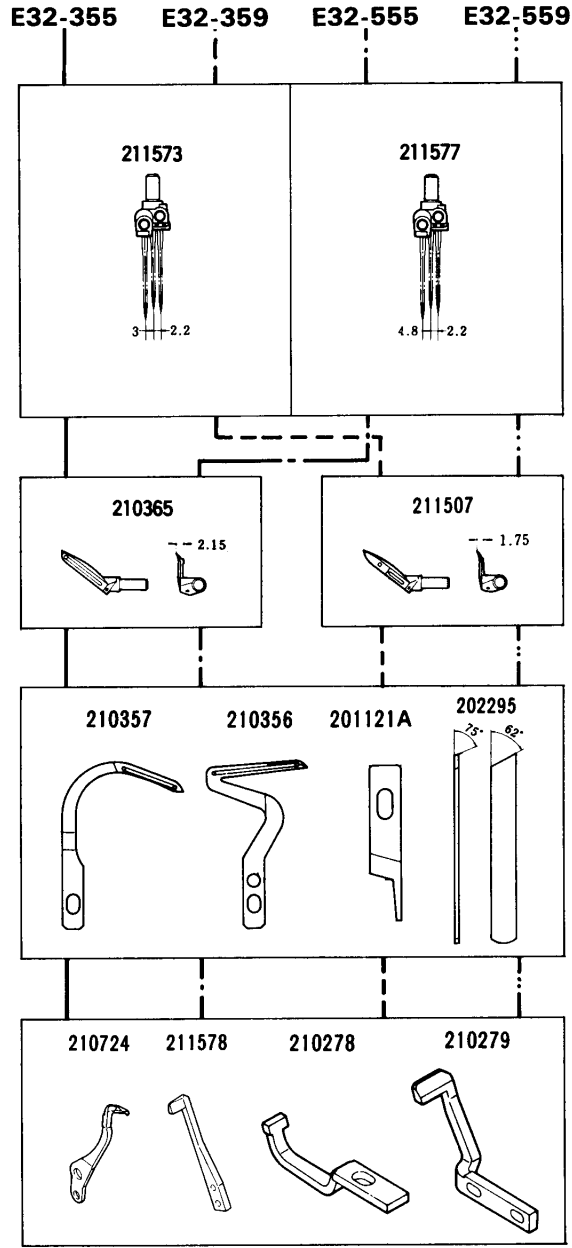
						MEMO	
515-E32-542P1/253-	3.2	3	3·4·5·6	0.8~3	5,000		Shirring/piping on light to medium weight fabrics such as pajamas, training wear. P1: The tape binder is an option. P2: The tape binder for a tape of 20mm wide is equipped with the machine.
515-E32-542P2/253-		5					










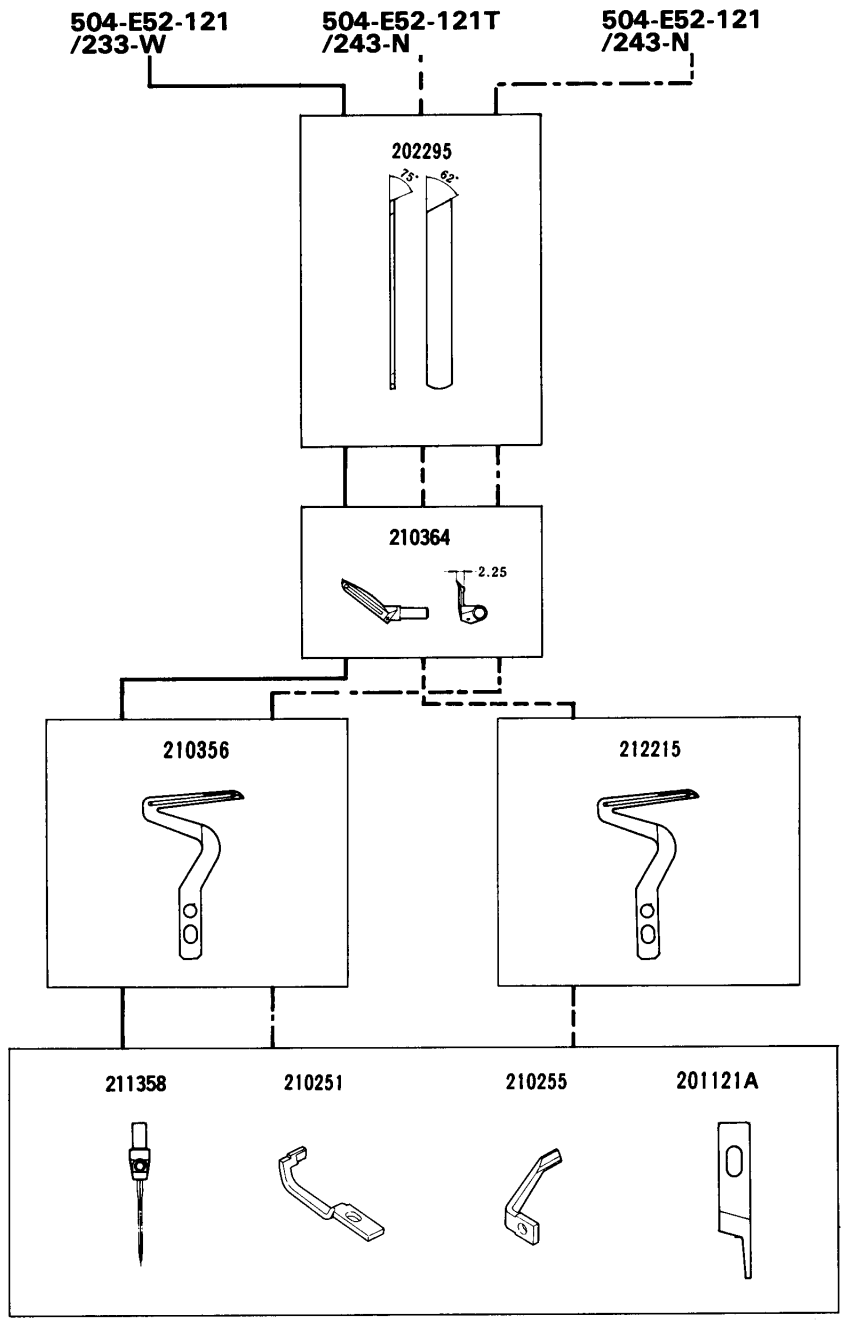





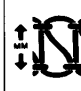



						MEMO	
515-E32-550/213-	3.6	3	3-4	0.7~2	7,500		Fitted with a binding attachment to insert a tape inside seam. Ensures high quality results.
515-E32-551/233-		3 5	4-5				

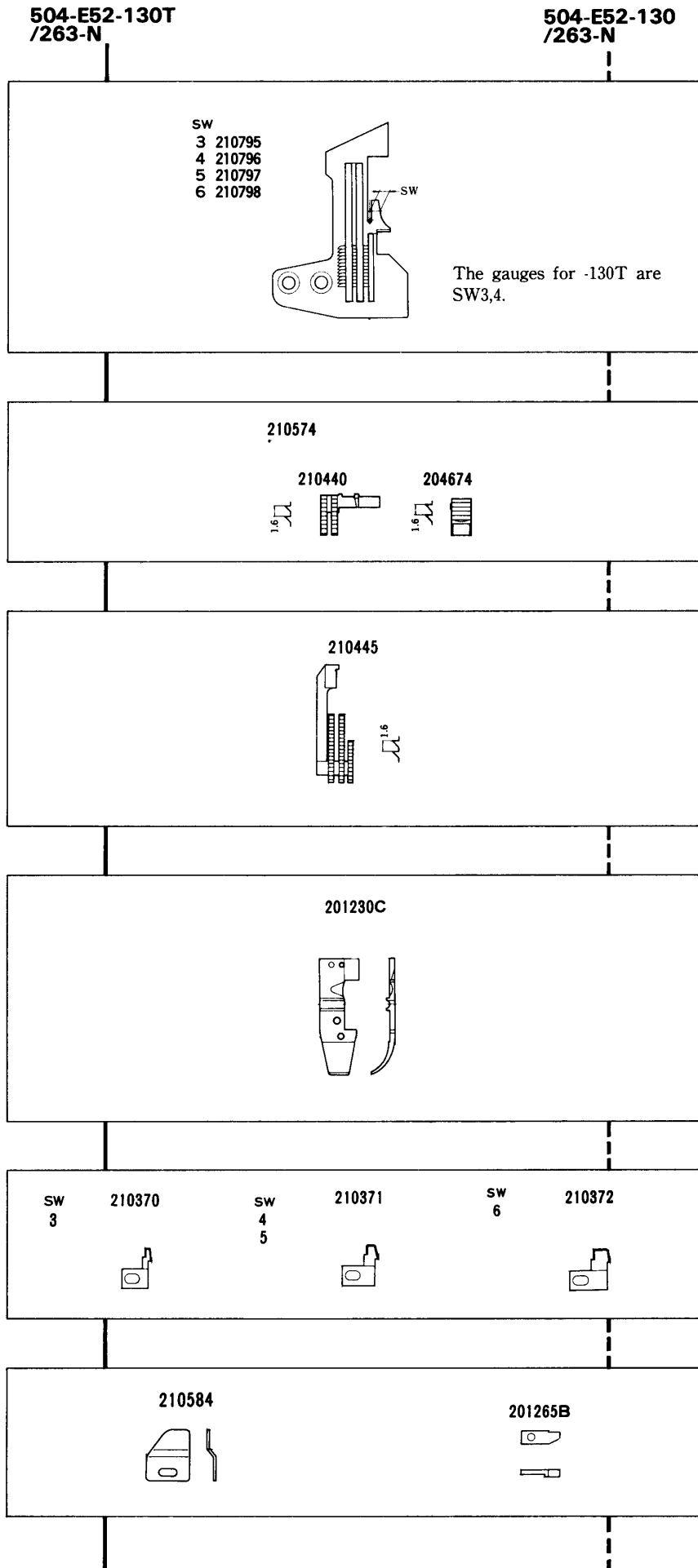


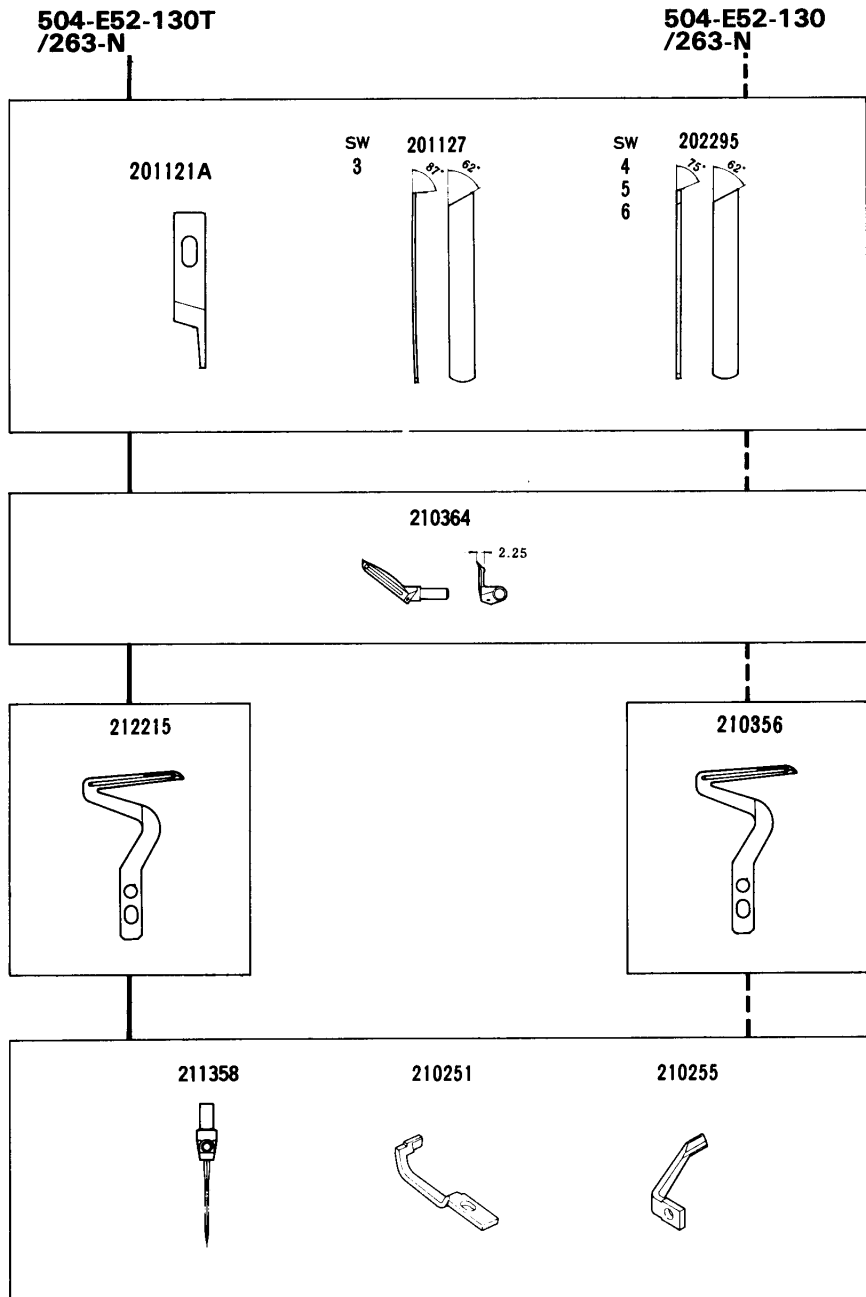





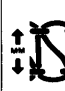



						MEMO	
E32-355/313-	3.6	3×2	3-4	0.7~2	7,000		Versatile high speed machines. Five different stitch types make them especially suitable for short run, high fashion locations. Two further stitch types (503, 515) can be obtained merely by changing the upper looper.
E32-359/313-							
E32-555/333-		5×2					
E32-559/333-							

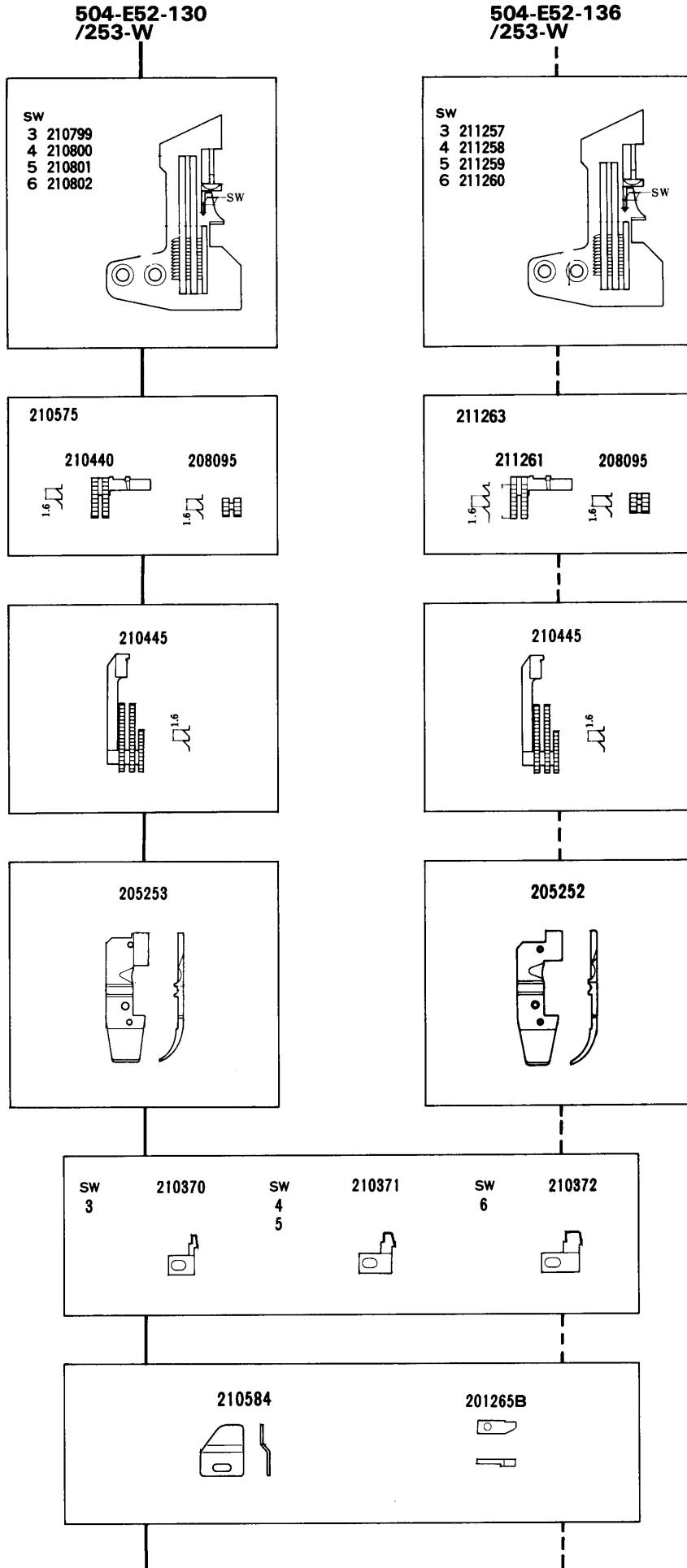


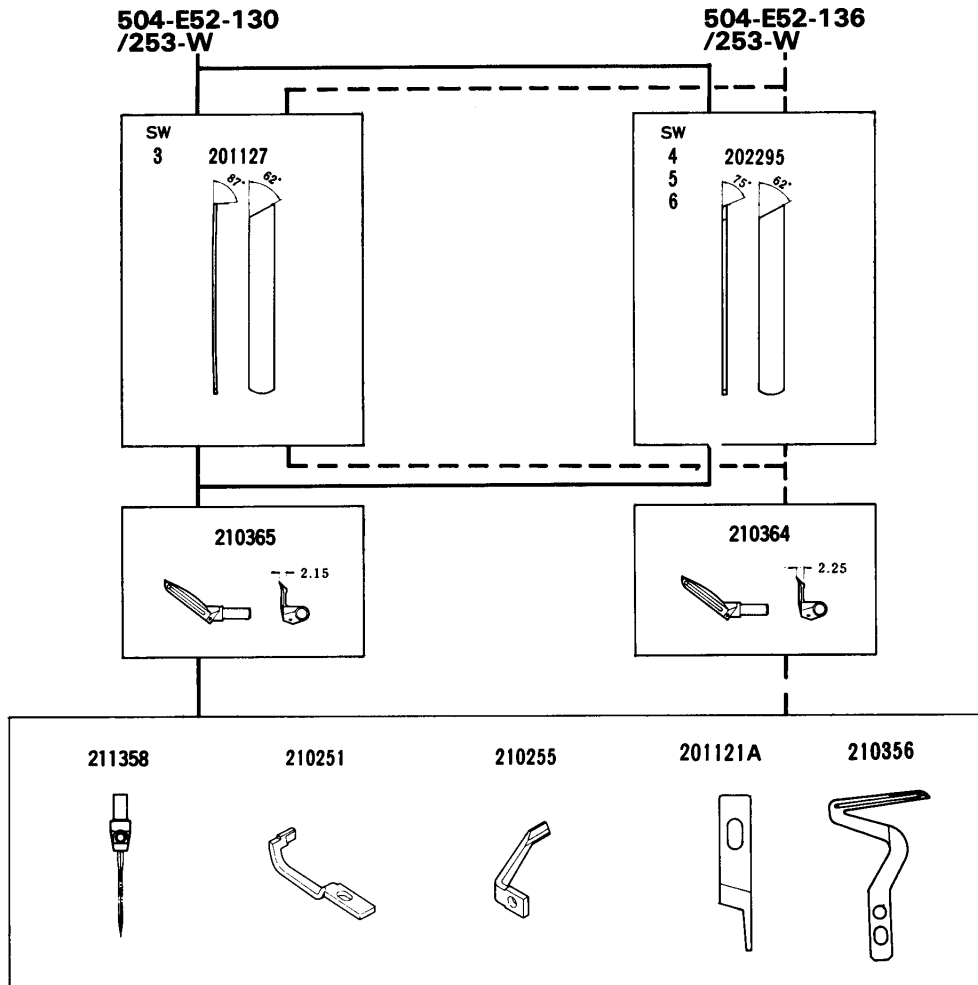
						MEMO	
504-E52-121/233-W	3.2	/	3·4·5·6	0.7~2	8,000		Seaming on foundations, light weight sweaters, dresses, etc.
504-E52-121/243-N							
504-E52-121T/243-N							Seaming with a soft seam (stretchable thread chain) on foundations, light weight sweaters, dresses, etc.












						MEMO	
504-E52-130T/263-N	3.6	/	3·4·5·6	0.7~2	8,000		General seaming with a soft seam (stretchable thread chain) on light to medium weight fabrics.
504-E52-130/263-N						For sleeve, side and shoulder closing operations on light to medium weight materials such as underwear and ladies' and children's outerwear.	

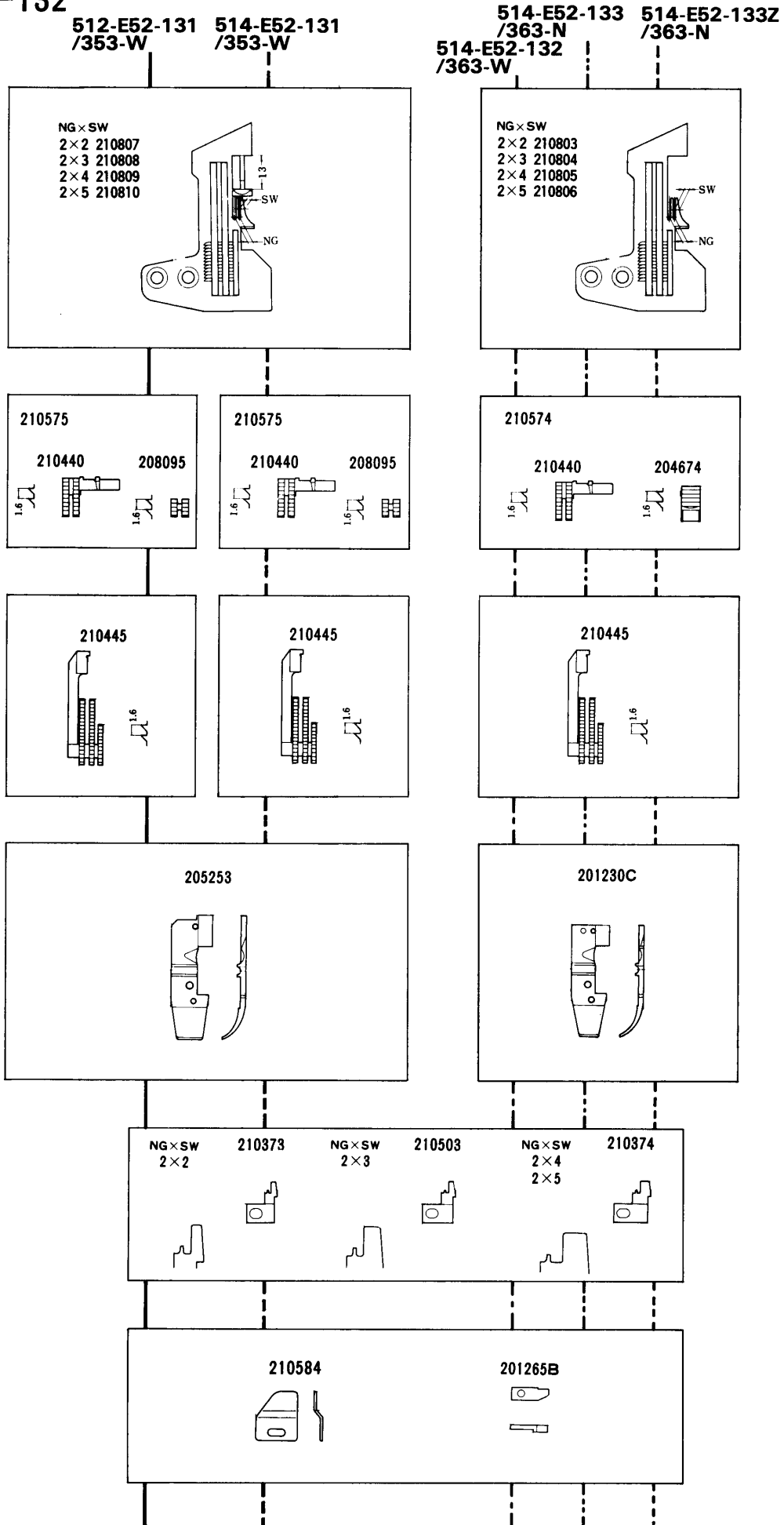


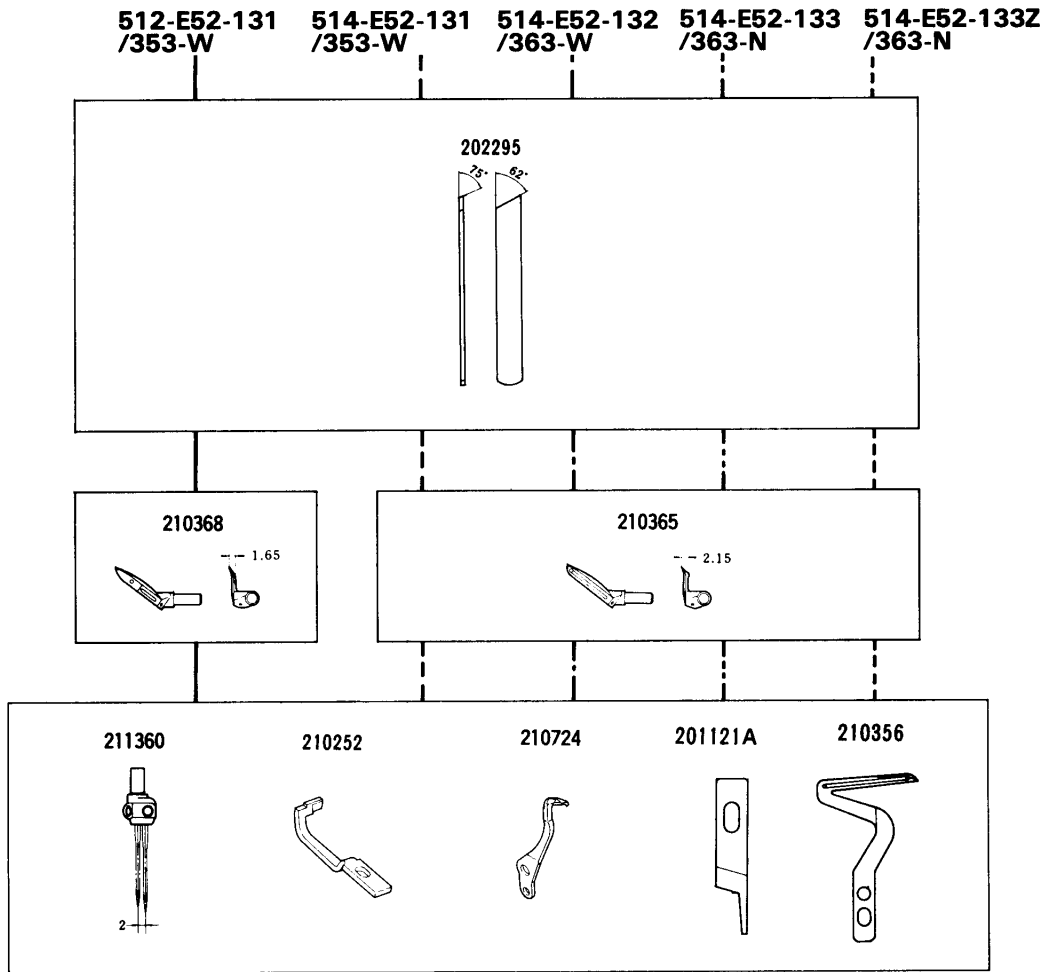










						MEMO	
504-E52-130/253-W	3.6	/	3·4·5·6	0.7~2	8,000		For sleeve, side and shoulder closing operations on light to medium weight materials such as underwear and ladies' and children's outerwear.
504-E52-136/253-W							

512-E52-131, 514-E52-133
 514-E52-131, 514-E52-133Z
 514-E52-132

GAUGE PARTS
 CONSTRUCTION CHART

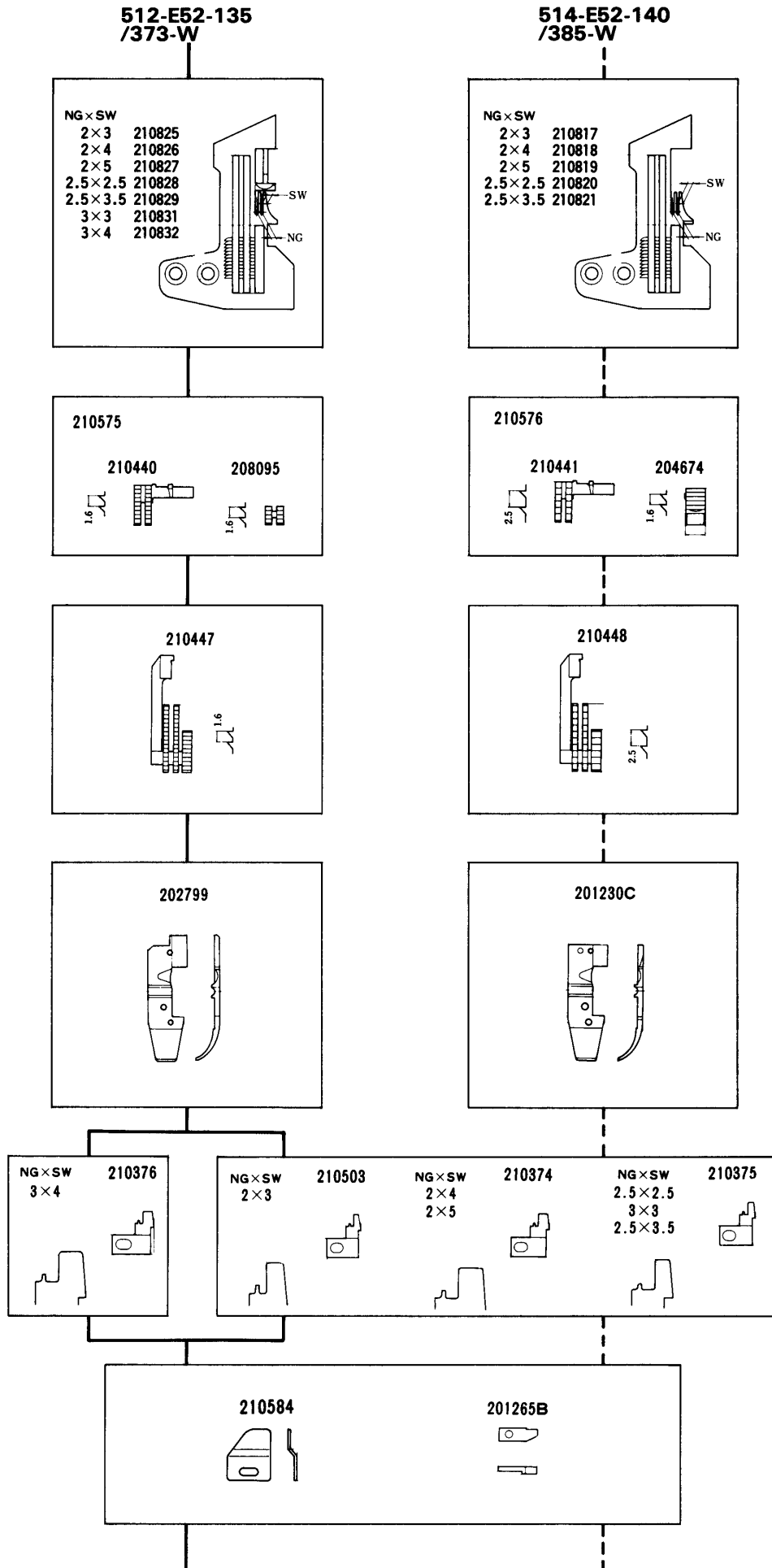


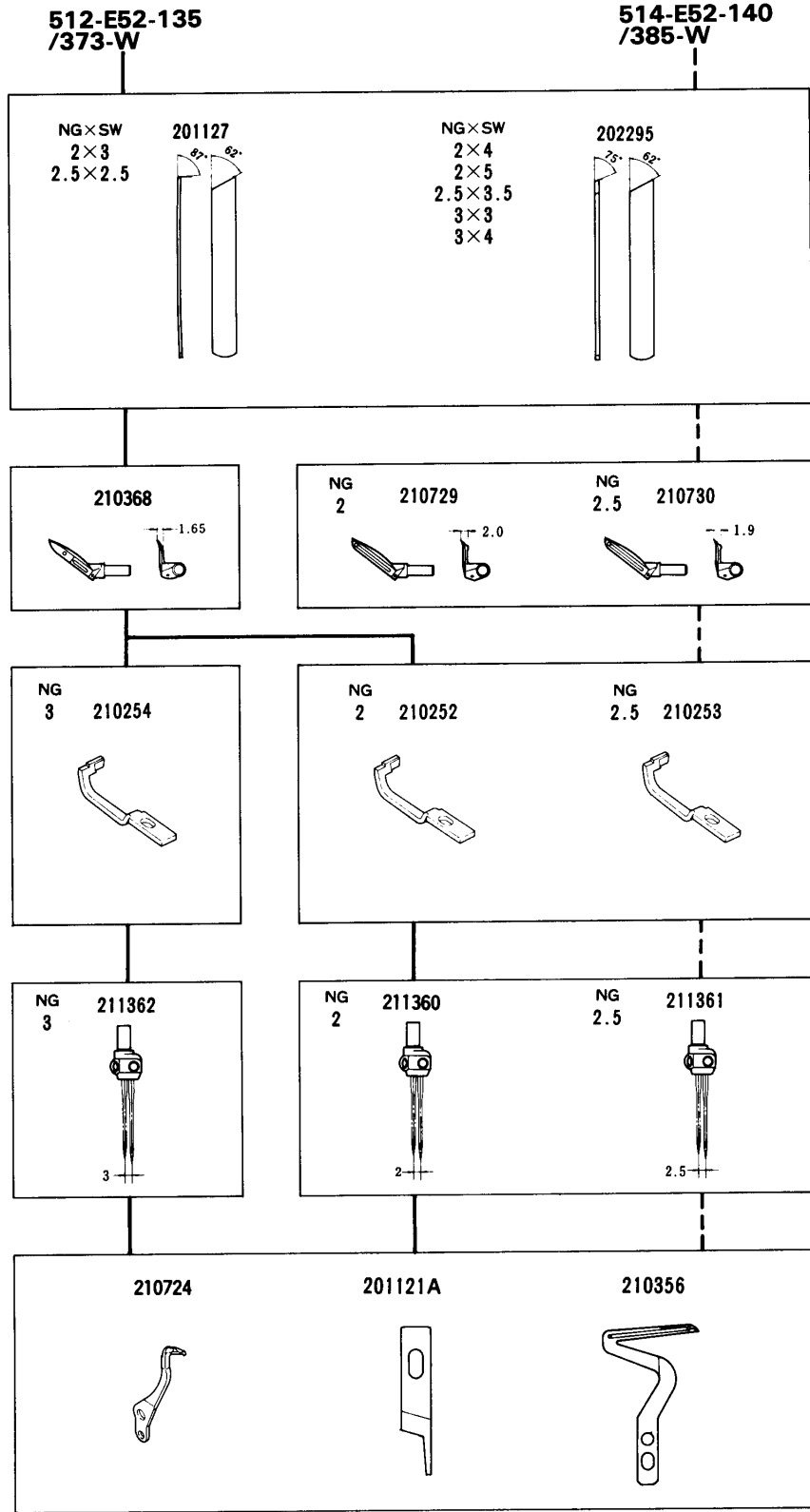









							MEMO	
512-E52-131/353-W	3.6	2	2·3·4·5	0.7~2	7,500			Closing and attaching sleeves and side closing on dress shirts blouses etc.
514-E52-131/353-W								
514-E52-132/363-W	2.5			1~3			Two needle machines for closing and attaching sleeves and side closing on light to medium weight materials.	
514-E52-133/363-N	3.6			0.7~2				
514-E52-133Z/363-N								Safte as E52-133 but the needle DC×1 is used.

512-E52-135
514-E52-140

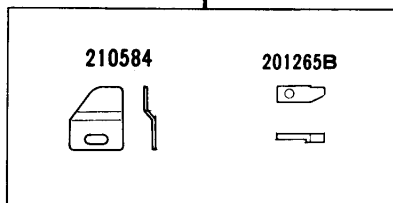
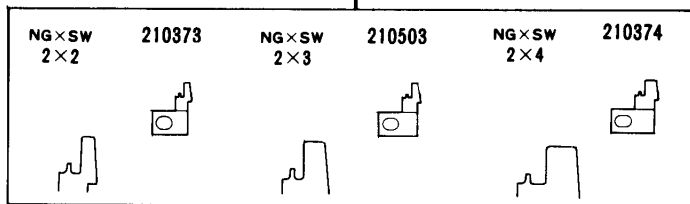
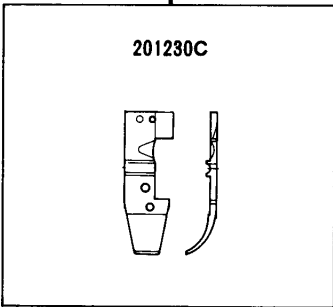
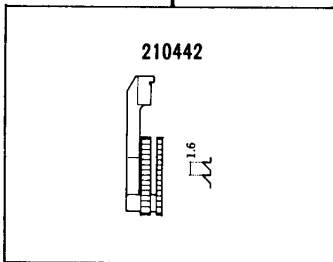
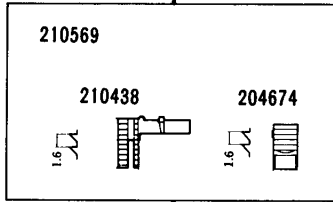
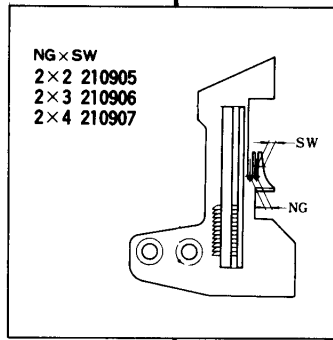
GAUGE PARTS
CONSTRUCTION CHART



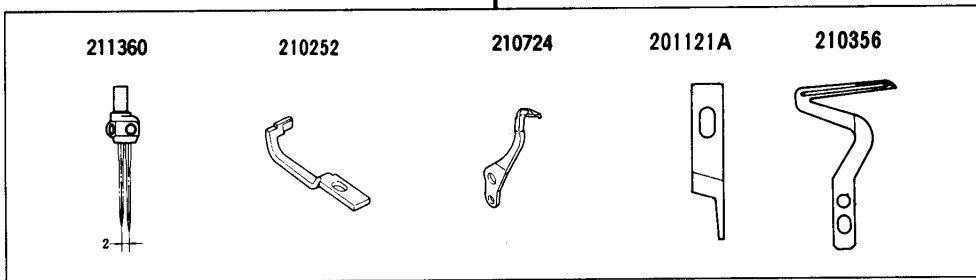
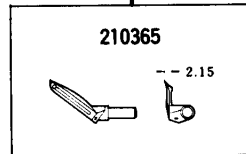
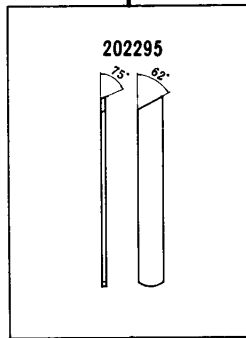









						MEMO	
512-E52-135/373-W	3.6	2	3·4·5	0.7~2	7,500		Closing and attaching sleeves and side closing on dress shirts blouses etc.
		2.5	2.5·3.5				
		3	3·4				
514-E52-140/385-W	2.5	2	3·4·5	1~3	7,000		Specially designed for seaming bulky knit materials such as sweaters, cardigans etc.
		2.5	2.5·3.5				

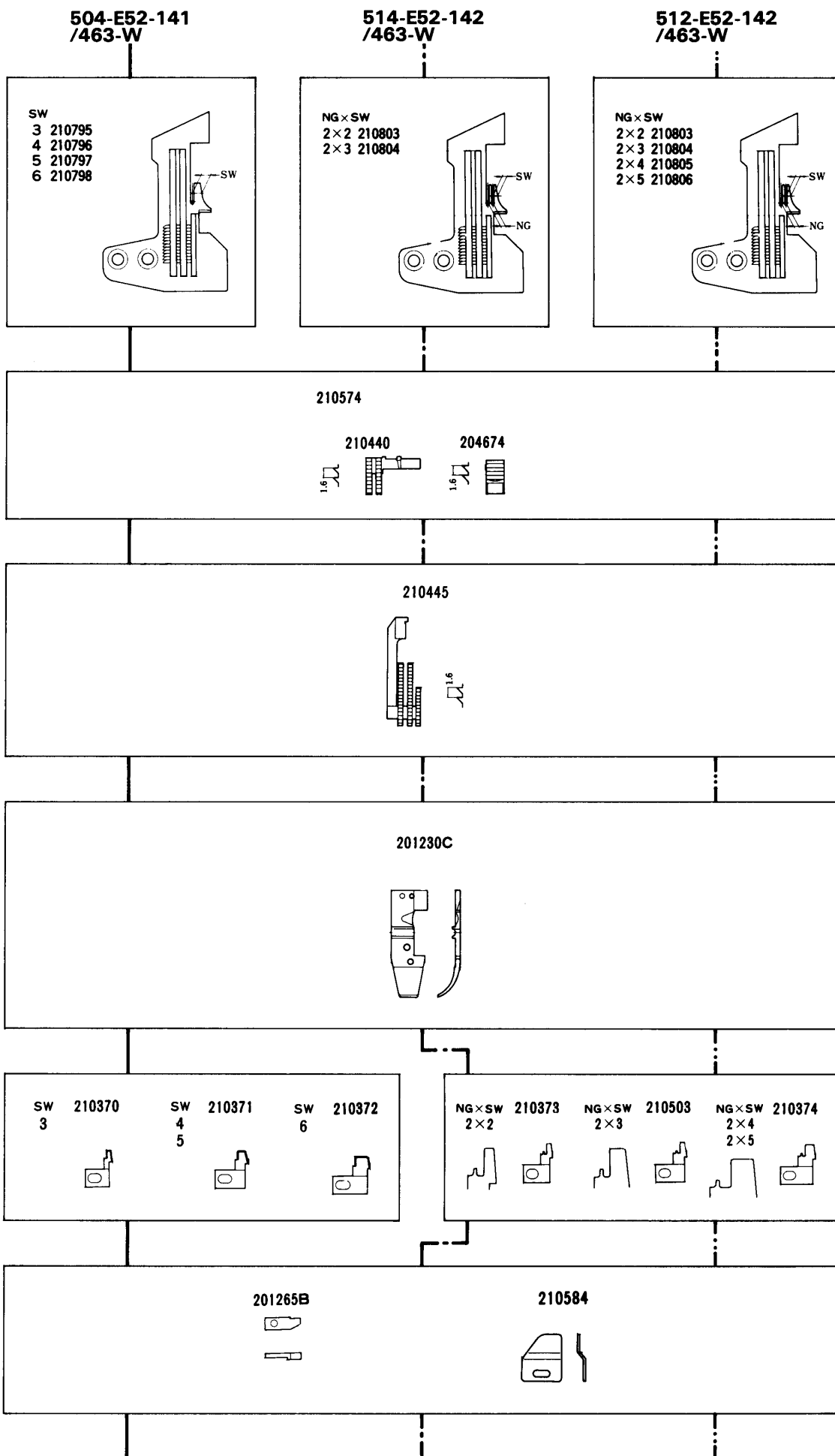
514-E52-137
/323-N

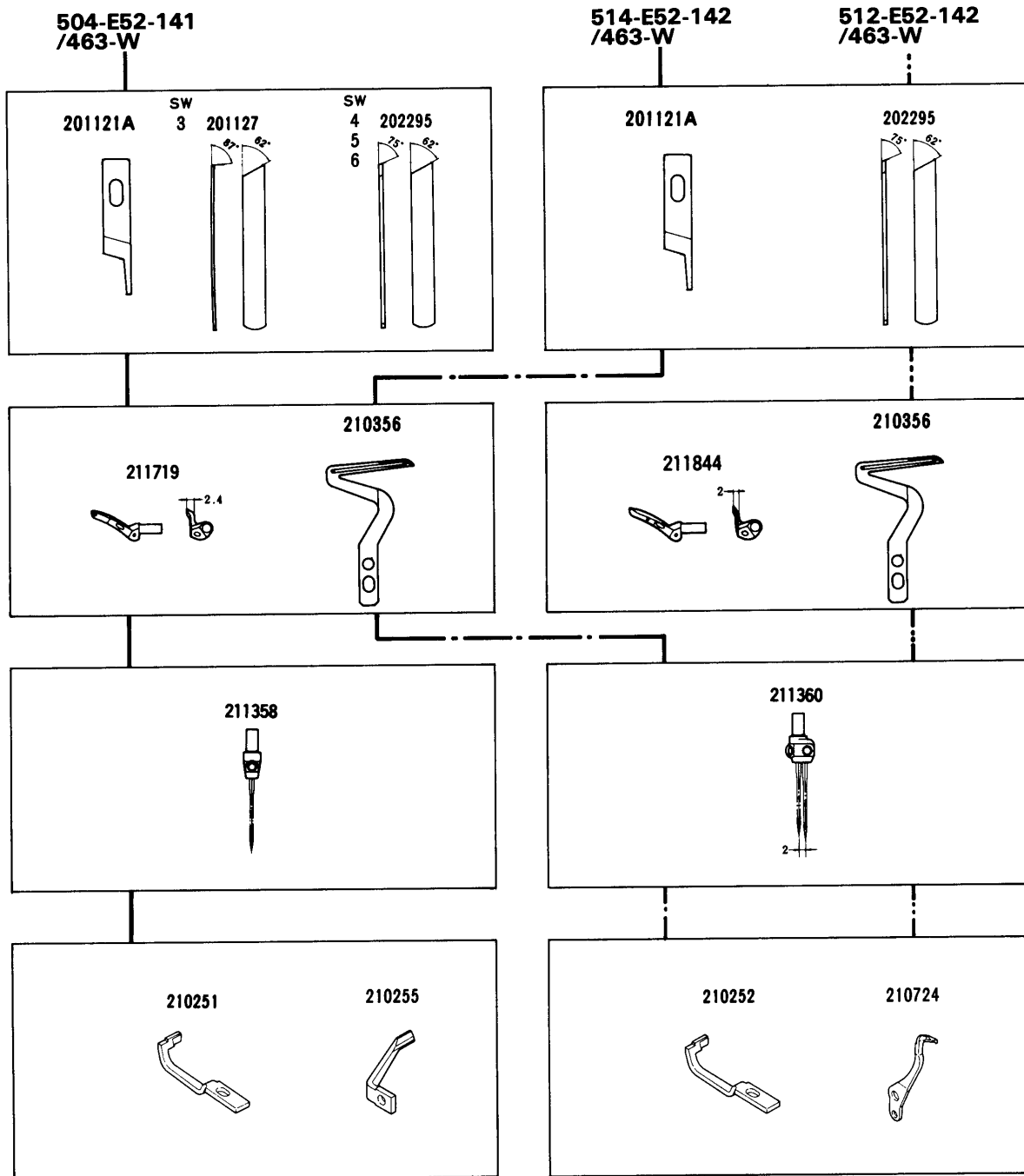









514-E52-137
/323-N



						MEMO	
514-E52-137/323-N	3.6	2	3-4	0.7~2	7,500		Two needle machines for closing and attaching sleeves and side closing on light to medium weight materials.





						MEMO	
504-E52-141/463-W	1.8~3.2	/	3·4·5·6	0.7~2	5,500		Seaming. Heavy fabrics. 1-needle. Used with the belt feeding device (BF-100, BF-200). ● Effective to prevent ply shift.
512-E52-142/463-W	1.8~3.2	2	2·3·4·5	0.7~2	5,500		Seaming. Heavy fabrics. Mock-safety. Used with the belt feeding device (BF-100, BF-200). ● Effective to prevent ply shift.
514-E52-142/463-W	1.8~3.2	2	2·3·4·5	0.7~2	5,500		Seaming. Heavy fabrics. 2-needle. Used with the belt feeding device (BF-100, BF-200). ● Effective to prevent ply shift.

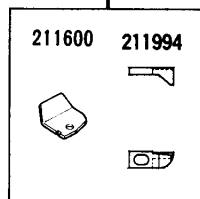
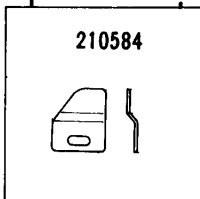
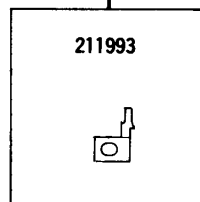
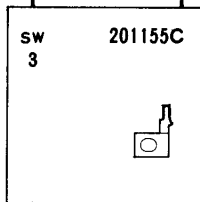
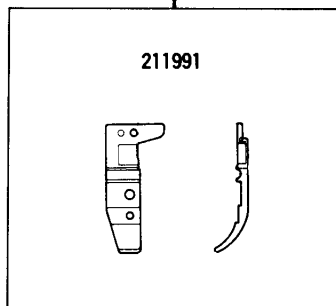
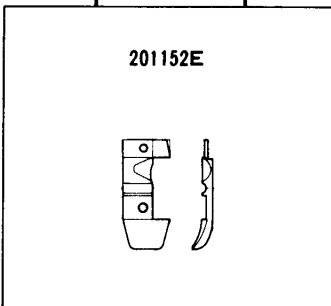
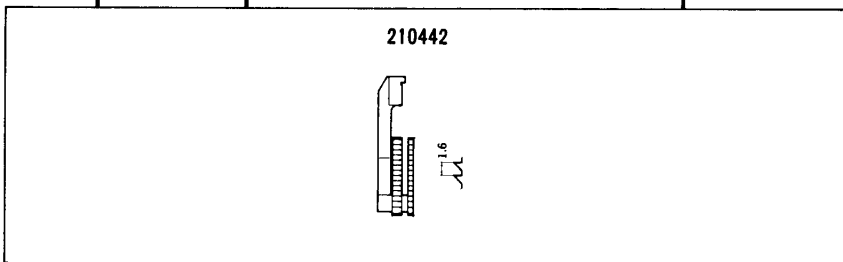
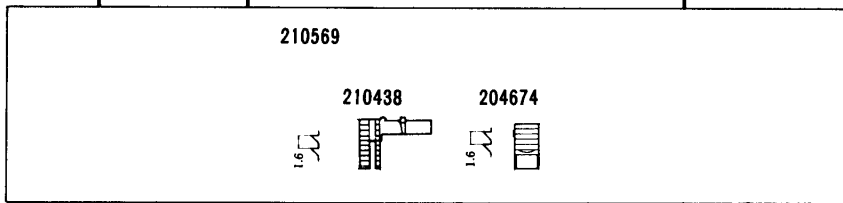
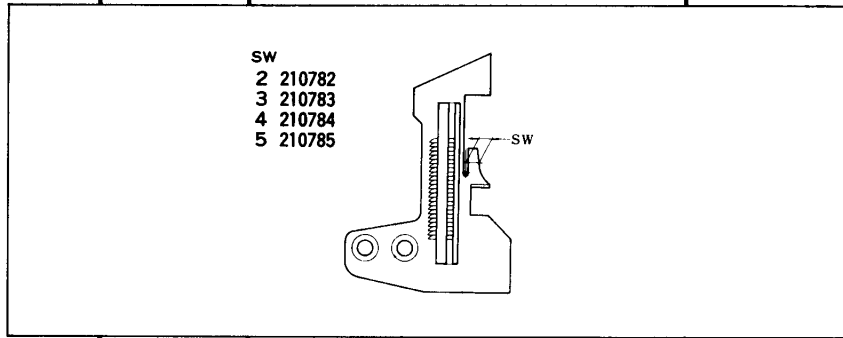
505-E52-210, 503-E52-211
 505-E52-210C, 505-E52-212

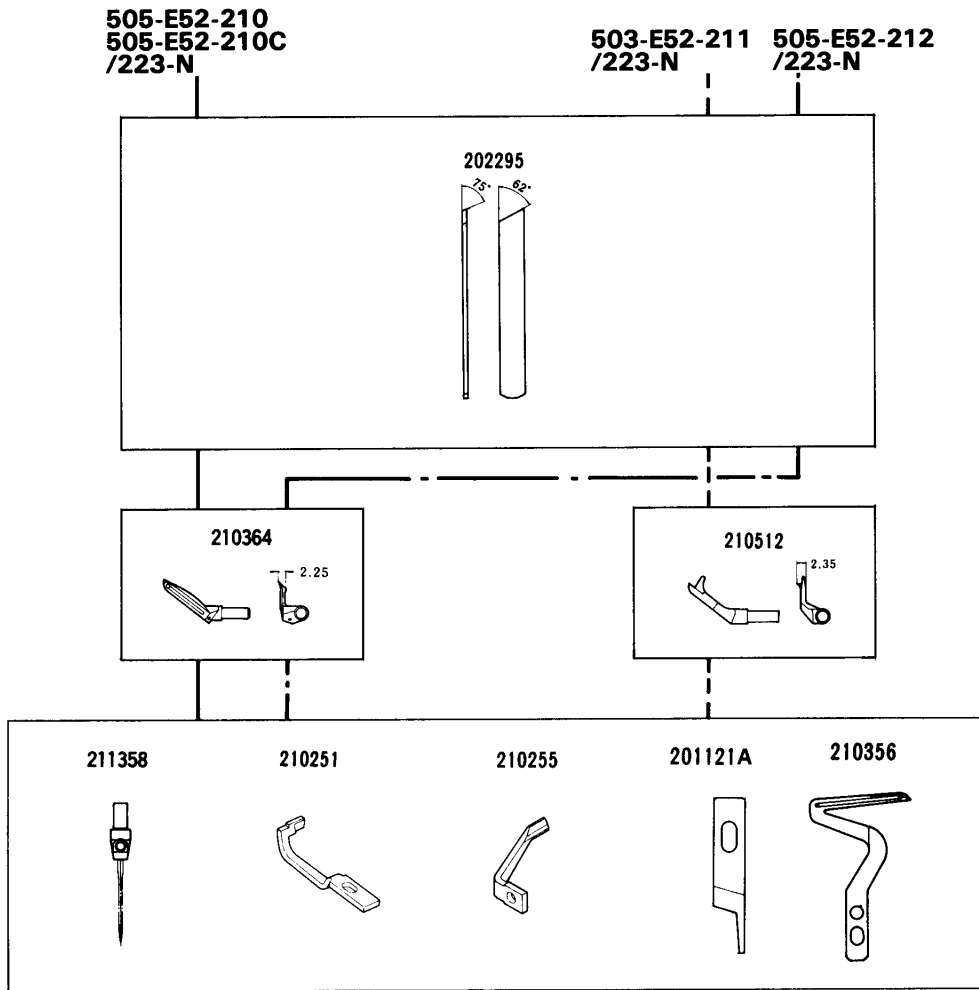
GAUGE PARTS
 CONSTRUCTION CHART








505-E52-210
 505-E52-210C
 /223-N

503-E52-211
 /223-N

505-E52-212
 /223-N

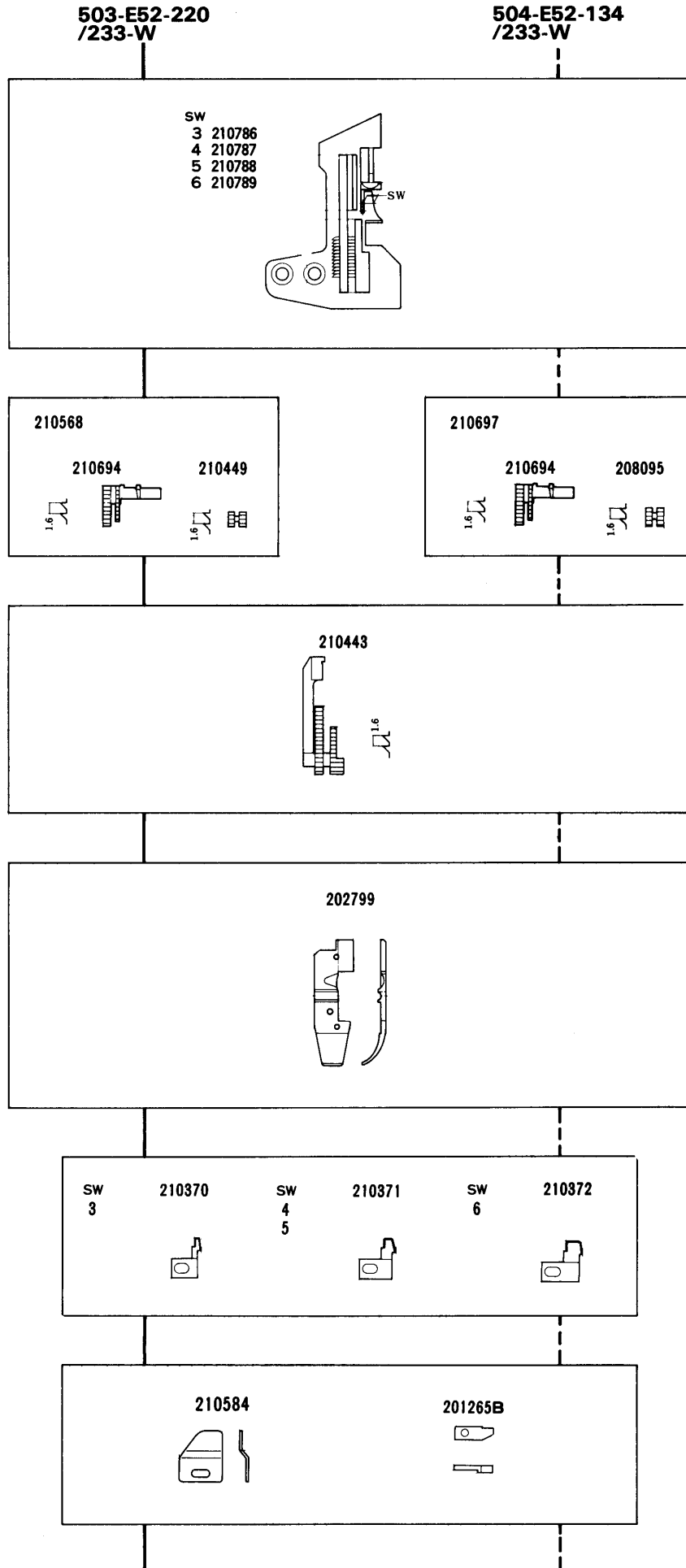


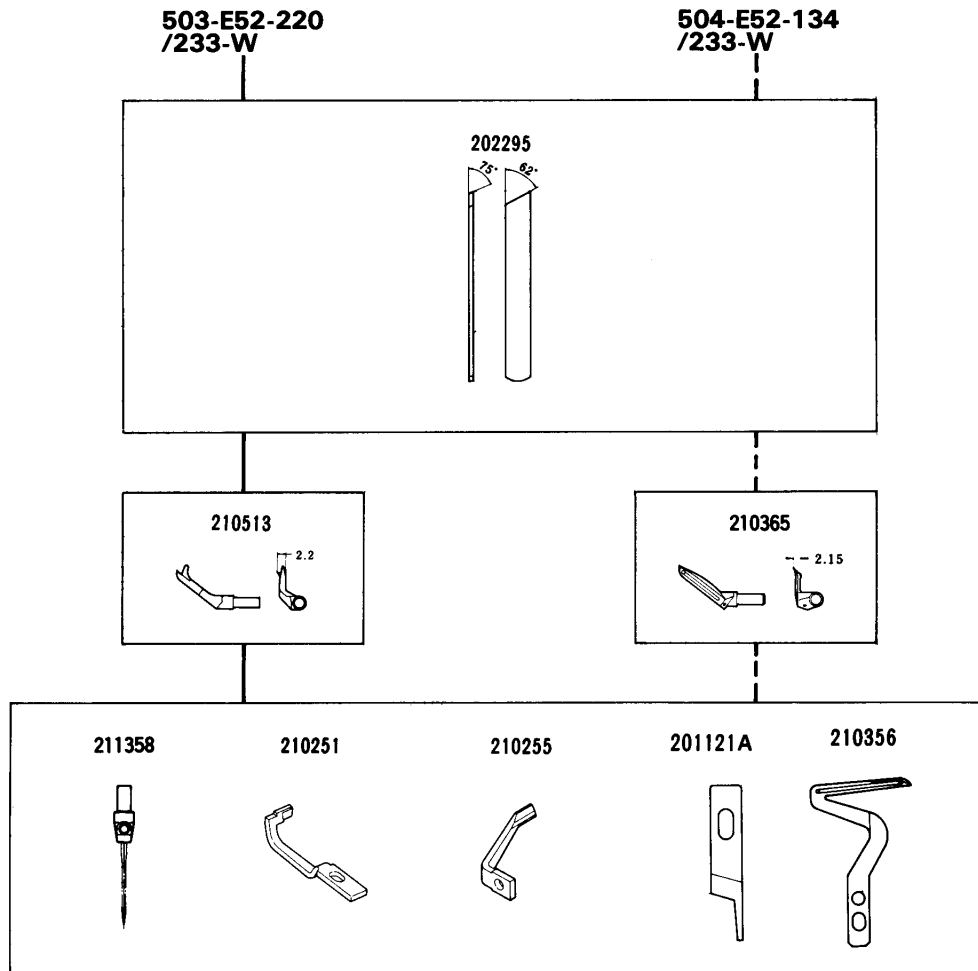





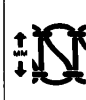



						MEMO	
505-E52-210/223-N	3.6	/	2·3·4·5	0.7~2	8,000		Three thread blindstitch hemming on U-necked undershirts athletic shirts, men's and women's briefs etc.
505-E52-210C/223-N	2.5			1~3		Blindstitch hemming/seaming on stretchy knits. The diff. feed ratio is 1:3.	
503-E52-211/223-N	3.6			0.7~2		Two thread blindstitch hemming on U-necked undershirts, athletic shirts, mens and womens briefs etc.	
505-E52-212/223-N				Three thread blindstitch hemming on light to medium weight materials such as U-neck undershirts, athletic shirts, briefs etc.			

503-E52-220
504-E52-134

GAUGE PARTS
CONSTRUCTION CHART

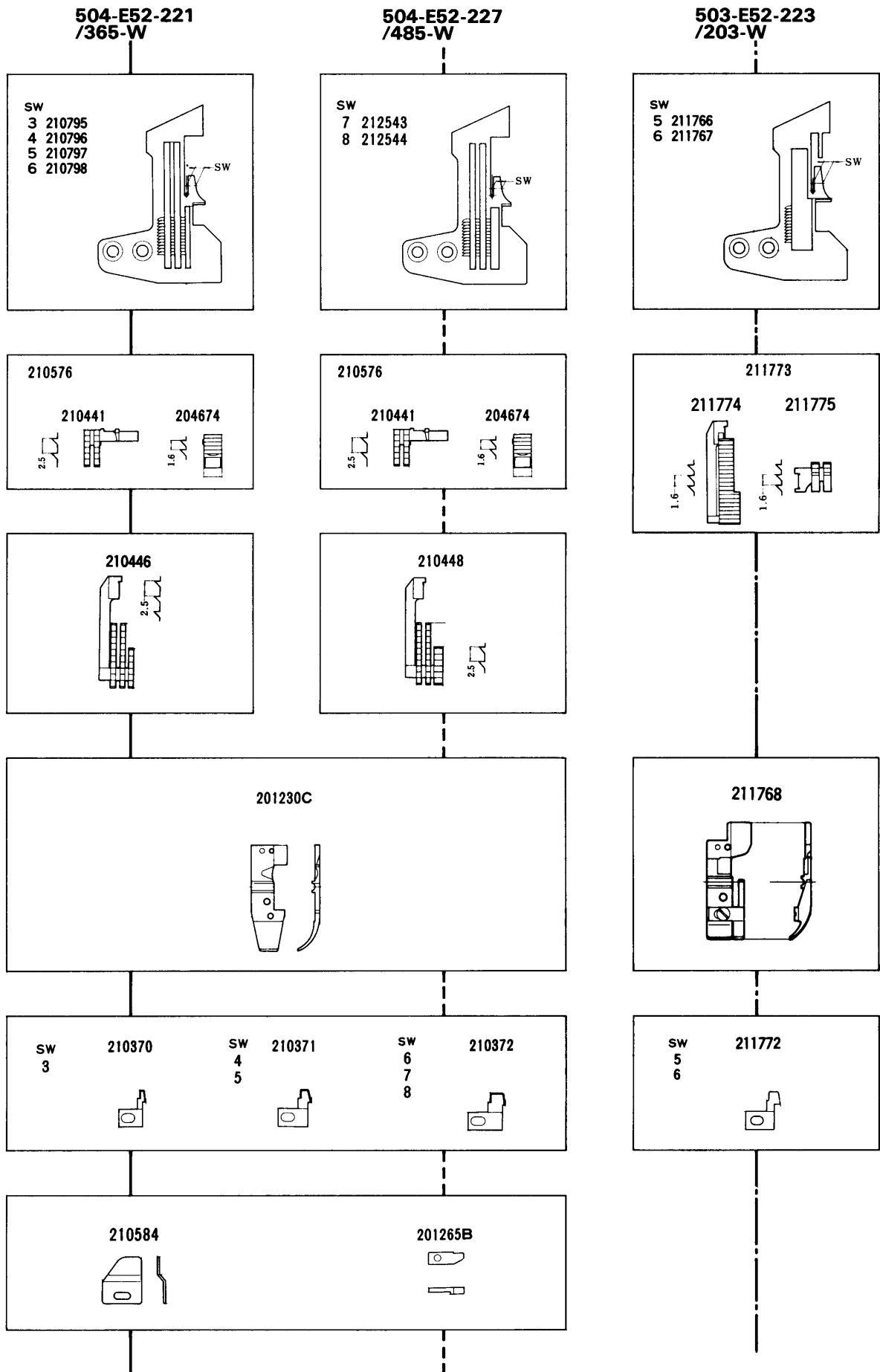


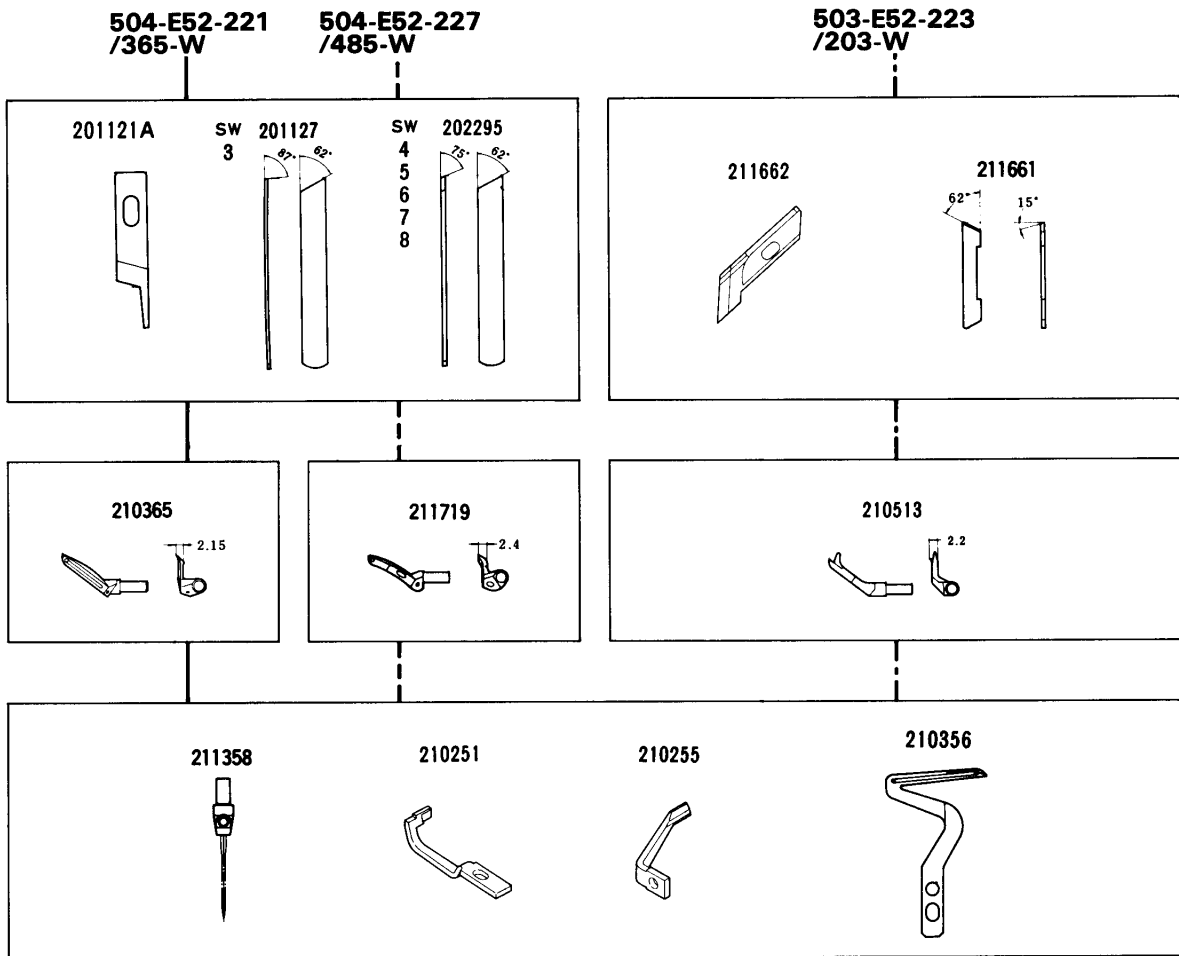









						MEMO	
503-E52-220/233-W	5.0	/	3·4·5·6	0.7~1.3	7,500		General serging operations on slacks, jackets, working wear etc.
504-E52-134/233-W	3.6			0.7~2	8,000		For sleeve, side and shoulder closing operations on light to medium weight materials such as underwear and ladies' and children's outerwear.

504-E52-221
 504-E52-227
 503-E52-223

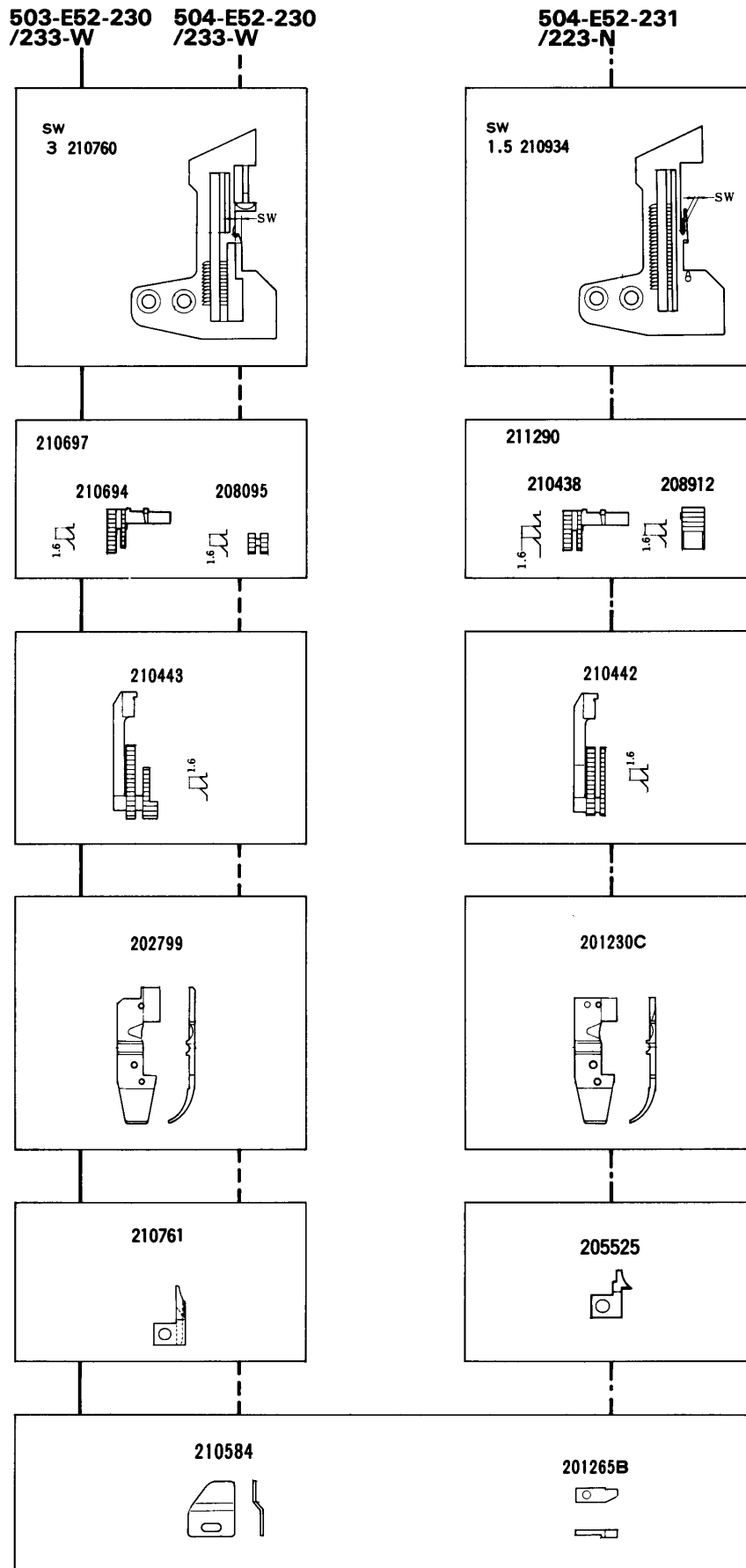
GAUGE PARTS
 CONSTRUCTION CHART

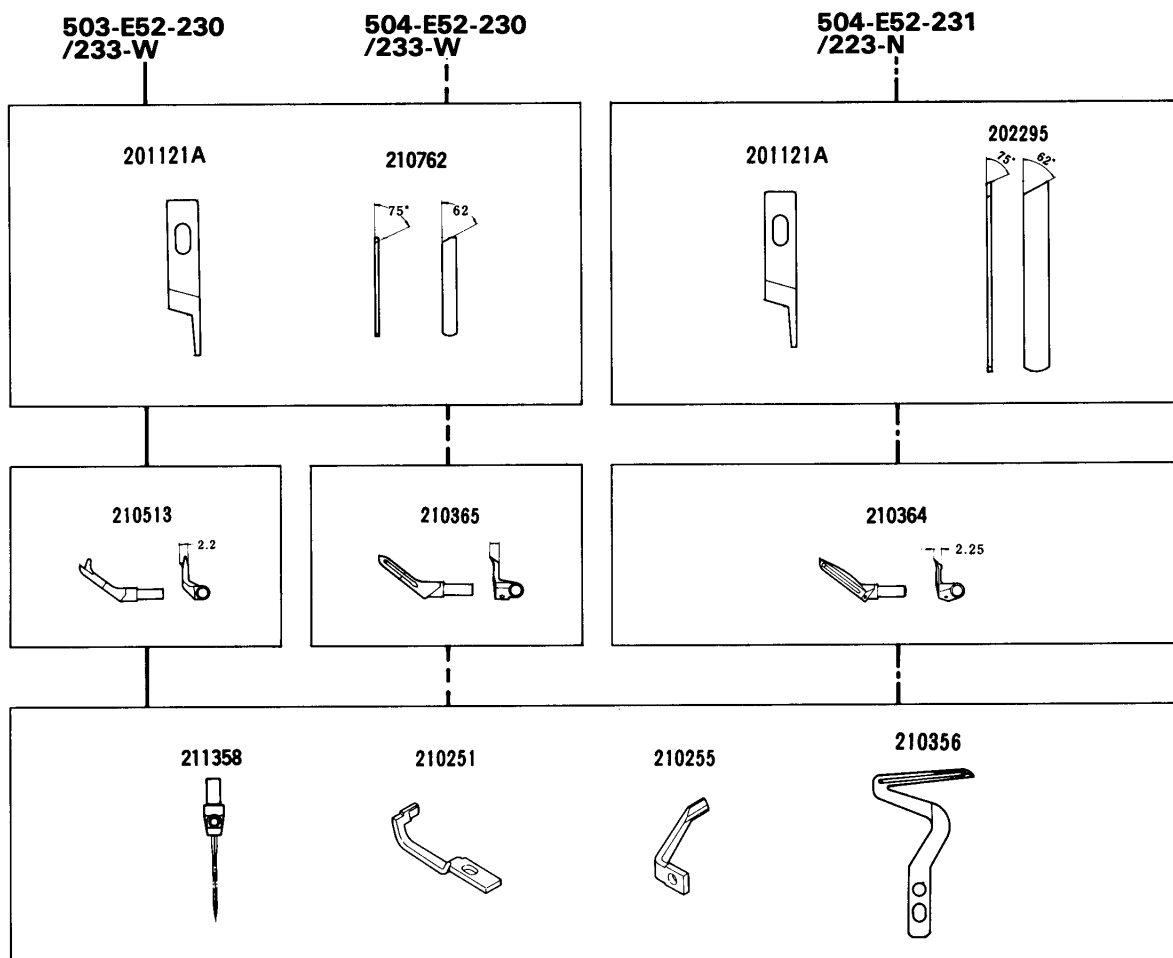











						MEMO	
504-E52-221/365-W	1.8~3.2	/	3·4·5·6	0.7~2	7,000		Serging. Heavy to extra heavy fabrics. Jeans, etc.
504-E52-227/485-W	1.8~3.6	/	7·8	0.7~2	6,300		Serging/seaming. Heavy to extra heavy fabrics. Upholsteries, curtains, jeans, etc. Extra wide seam width.
503-E52-223/203-W	5.1~6.4	/	5·6	—	7,500		Serging. Light to medium fabrics. Slacks, suits, jackets, etc. ● 1-row, plain feeding.

503-E52-230
 504-E52-230
 504-E52-231





						MEMO	
503-E52-230/233-W	1.8~3.6	/	3	0.7~2	7,500		Turn-down hemming. Light fabrics. Handkerchiefs, curtains, pillow cases, etc. ● 2-thread.
504-E52-230/233-W	1.8~3.6	/	3	0.7~2	7,500		Turn-down hemming. Light fabrics. Handkerchiefs, curtains, cuffs of blouses, etc. ● 3-thread.
504-E52-231/223-N	1.0~1.8	/	1.5	0.7~2	8,000		Turn-down hemming. Light fabrics. Handkerchiefs, curtains, cuffs of blouses, etc. ● 3-thread.

504-E52-130P1(P2), 514-E52-131P1(P2)
 504-E52-350P1(P2), 514-E52-351P1(P2)

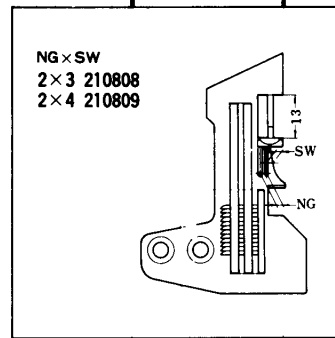
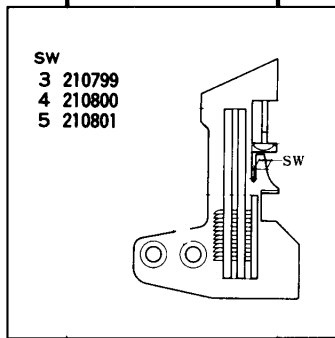
GAUGE PARTS
 CONSTRUCTION CHART

504-E52-350P1 504-E52-130P1
 504-E52-350P2 504-E52-130P2
 /253-W /253-W

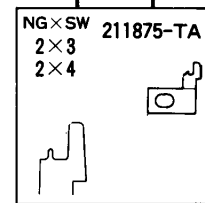
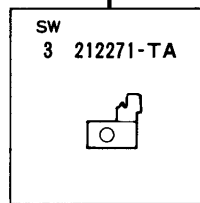
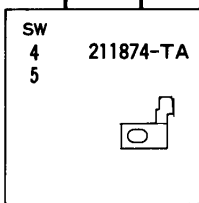
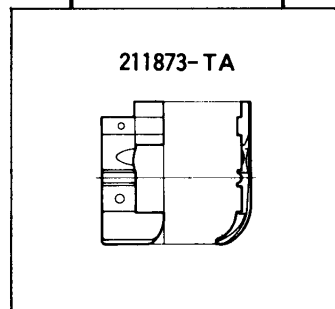
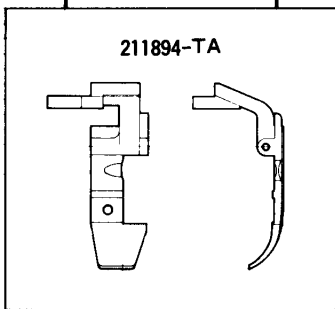
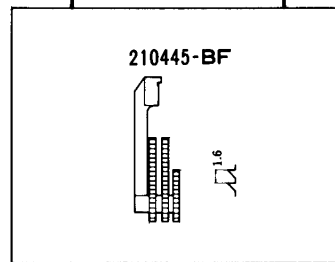
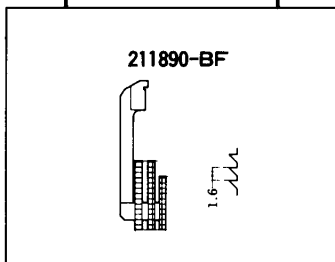
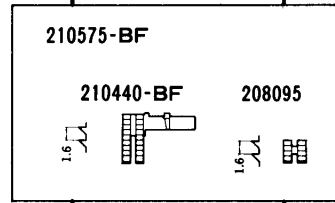
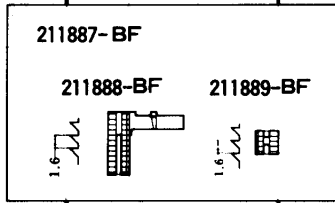
514-E52-351P1 514-E52-131P1
 514-E52-351P2 514-E52-131P2
 /353-W /353-W

The gauge for -350 is 5.

The gauge for -351 is 2×4.



The part numbers of feed dogs of -130P1(P2) and -131P1(P2) are the numbers without -BF.

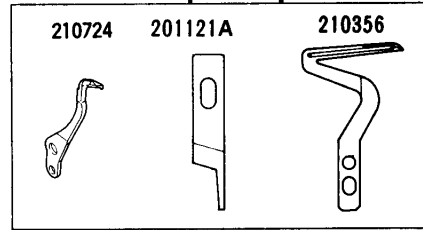
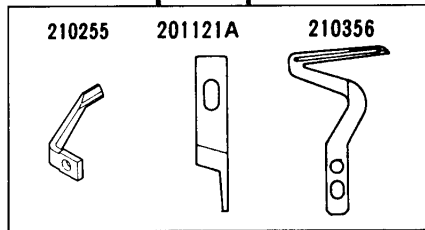
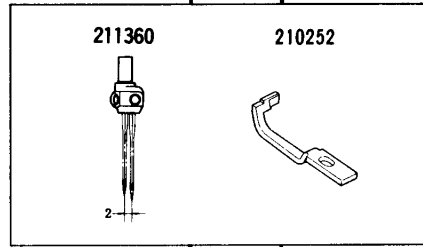
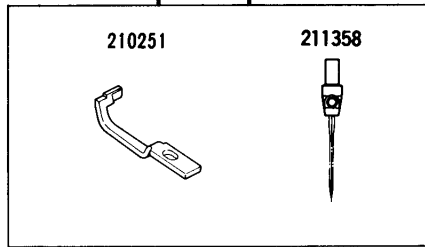
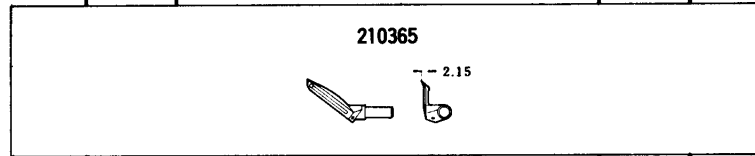
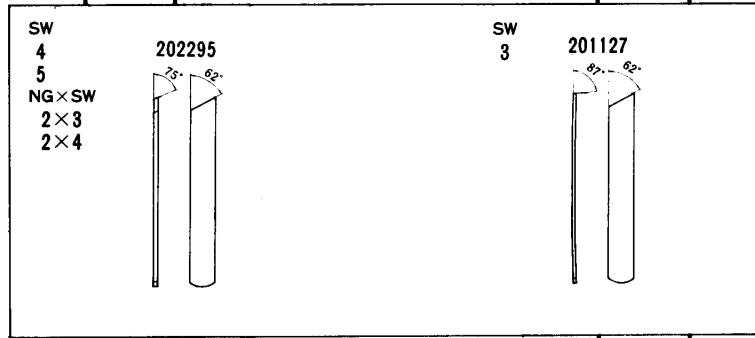









504-E52-350P1
504-E52-350P2
/253-W

504-E52-130P1
504-E52-130P2
/253-W

514-E52-351P1
514-E52-351P2
/353-W

514-E52-131P1
514-E52-131P2
/353-W



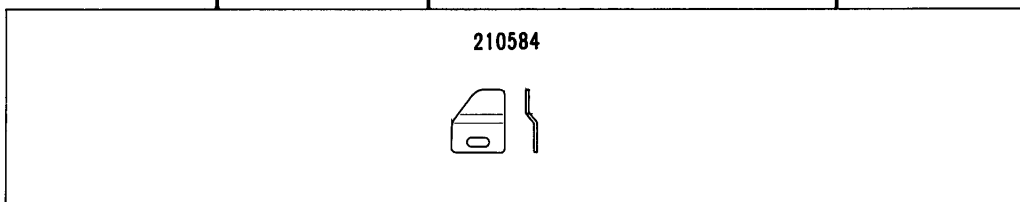
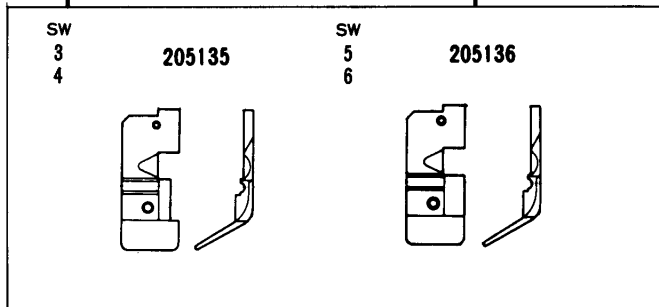
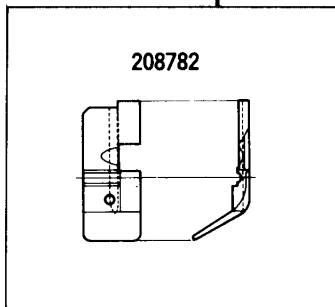
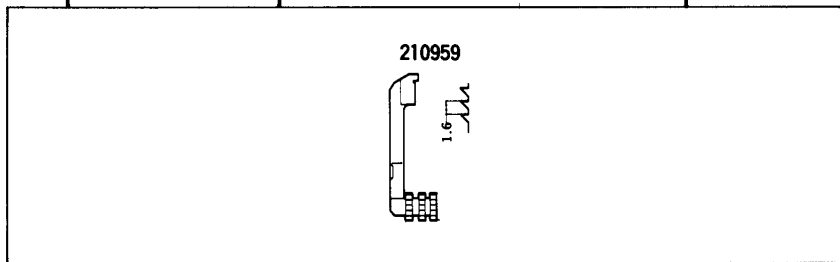
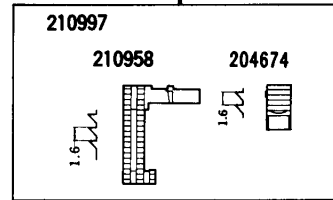
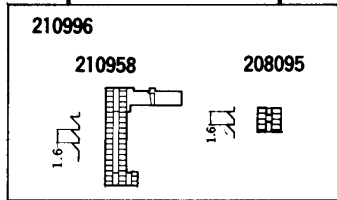
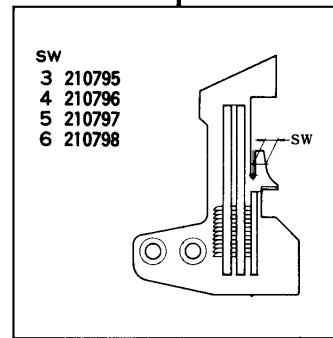
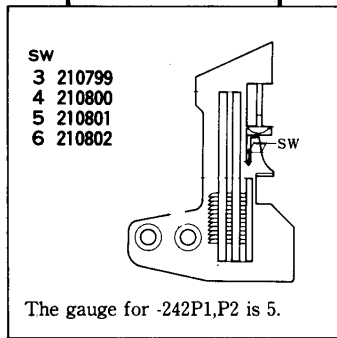
						MEMO	
504-E52-350P1/253-W	2.5	!	5	50	5,000		Piping on light to medium weight fabrics. Since the pivot point of the presser foot is at the back, curved seaming is easy, too. P1: The tape binder is an option. P2: The tape binder for a tape of 20mm wide is equipped with the machine.
504-E52-350P2/253-W							
504-E52-130P1/253-W	3.2	!	3·4·5	50	5,000		Piping on light to medium weight fabrics such as pajama, training wear, etc. P1: The tape binder is an option. P2: The tape binder for a tape of 20mm wide is equipped with the machine.
504-E52-130P2/253-W							
514-E52-351P1/353-W	2.5	2	4	50	5,000		Piping on light to medium weight fabrics. Since the pivot point of the presser foot is at the back, curved seaming is easy, too. P1: The tape binder is an option. P2: The tape binder for a tape of 20mm wide is equipped with the machine.
514-E52-351P2/353-W							
514-E52-131P1/353-W	3.2	2	3·4	50	5,000		Piping on light to medium weight fabrics such as pajama, training wear, etc. P1: The tape binder is an option. P2: The tape binder for a tape of 20mm wide is equipped with the machine.
514-E52-131P2/353-W							

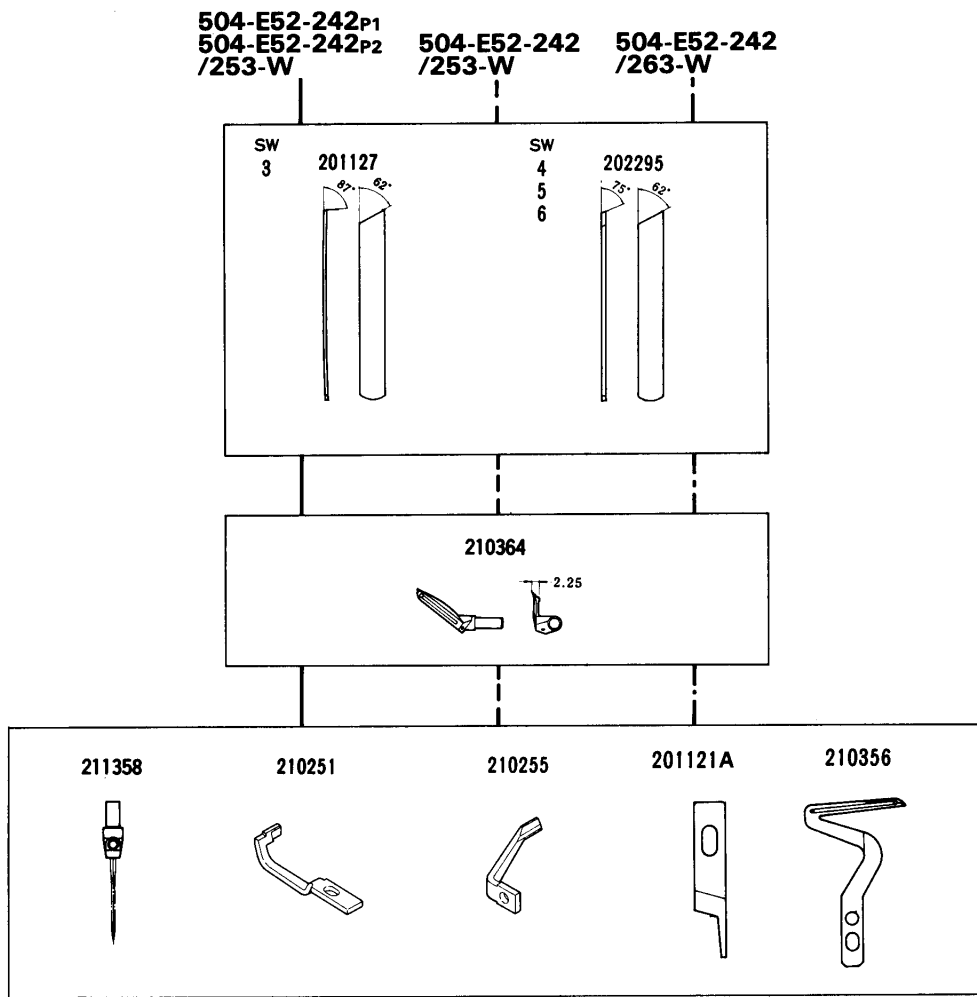
504-E52-242
504-E52-242P1(P2)








504-E52-242P1
504-E52-242P2
/253-W

504-E52-242
/253-W

504-E52-242
/263-W





						MEMO	
504-E52-242P1/253-W	3.2	/	3·4·5·6	0.8~3	5,000		Shirting/piping on light to medium weight fabrics such as pajamas, training wear. P1: The tape binder is an option. P2: The tape binder for a tape of 20mm wide is equipped with the machine.
504-E52-242P2/253-W							
504-E52-242/253-W					7,000		Single needle overedgers for intermittent shirring on light to medium weight materials such as negligee, curtains etc.
504-E52-242/263-W							

512-E52-243, 514-E52-243P1(P2)
514-E52-243

514-E52-243P1 514-E52-243
514-E52-243P2 /353-W

512-E52-243 514-E52-243
/363-W /363-W

512-E52-243 /353-W

NG×SW
2×2 210807
2×3 210808
2×4 210809
2×5 210810

2×2 and 2×5 are not available for -243P1, P2.

512-E52-243 /363-W 514-E52-243 /363-W

NG×SW
2×2 210803
2×3 210804
2×4 210805
2×5 210806

210996

210958 208095

210997

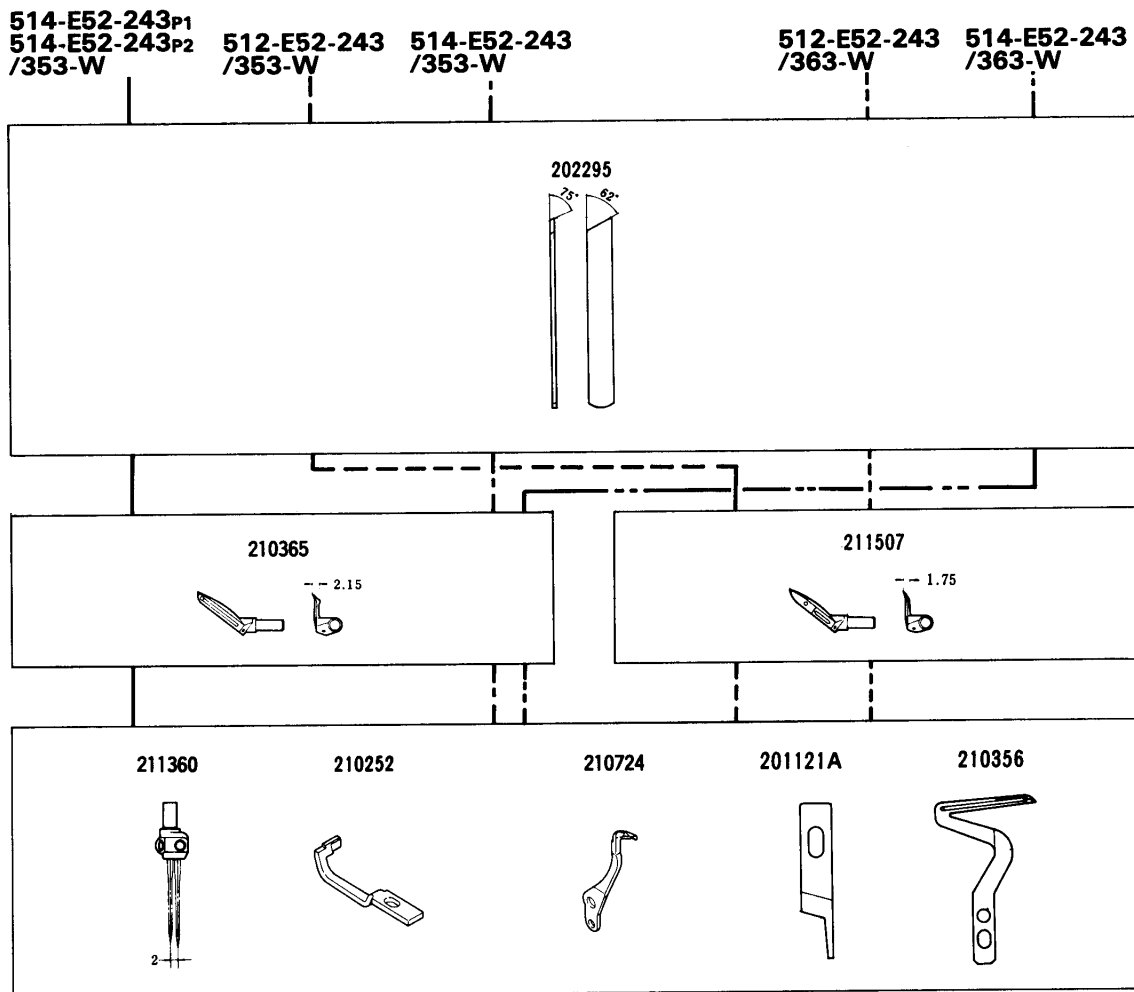
210958 204674






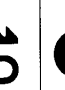


210959

NG×SW
2×3 208782
2×4

NG×SW 205135 NG×SW 205136
2×2 2×3 2×4 2×5

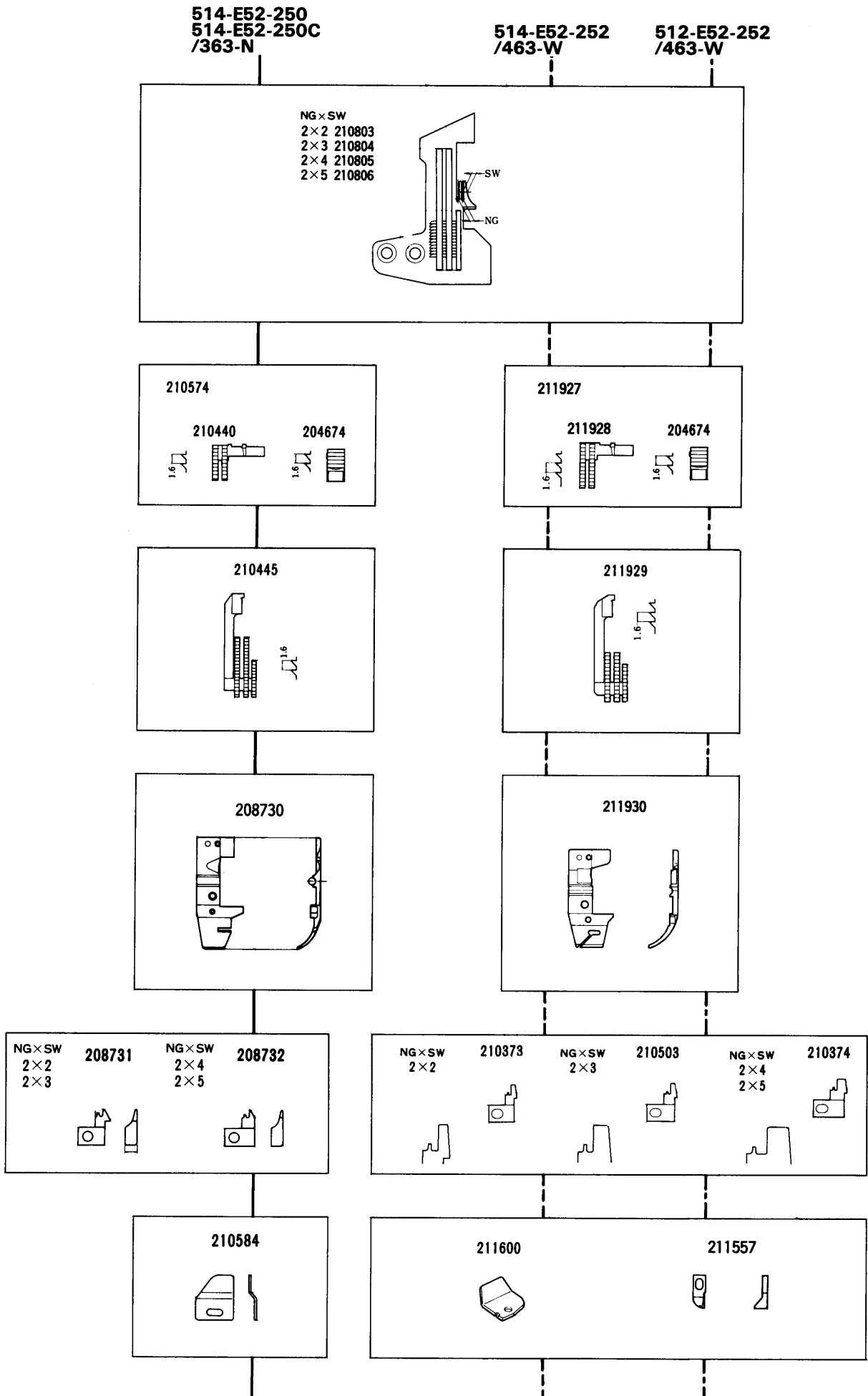
210584



							MEMO	
514-E52-243P1/353-W	3.2	2	2·3·4·5	0.8~3	C	5,000		Shirring/piping on light to medium weight fabrics such as pajamas, training wear. P1: The tape binder is an option. P2: The tape binder for a tape of 20mm wide is equipped with the machine.
514-E52-243P2/353-W								
512-E52-243/353-W						7,000		Mock safety stitch overedgers for intermittent shirring on light to medium weight materials such as negligee, curtains etc.
512-E52-243/363-W								
514-E52-243/353-W								
514-E52-243/363-W								

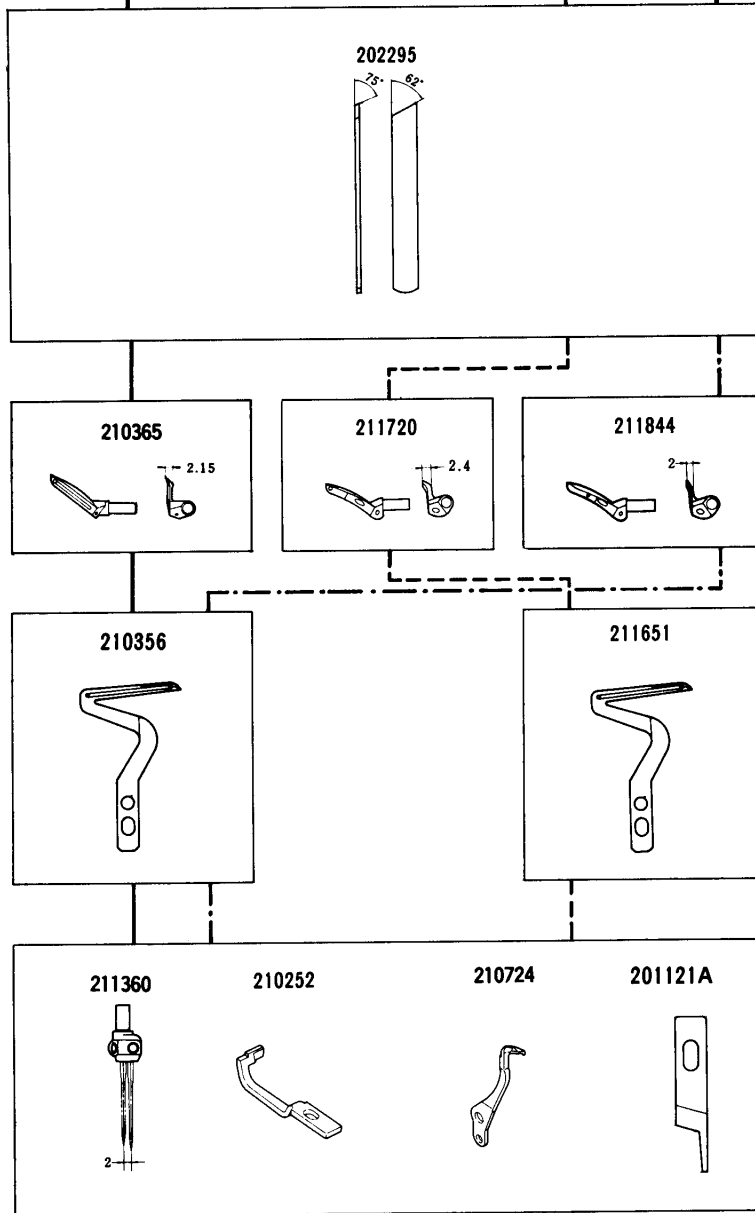
514-E52-250, 512-E52-252
 514-E52-250C, 514-E52-252




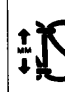



GAUGE PARTS
 CONSTRUCTION CHART



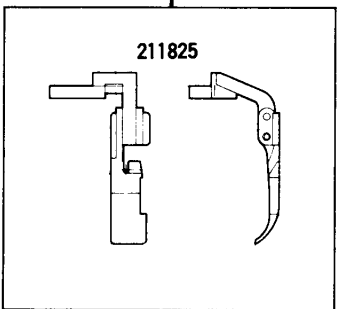
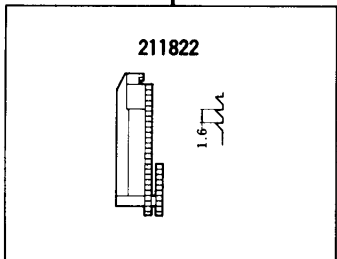
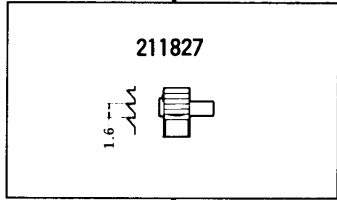
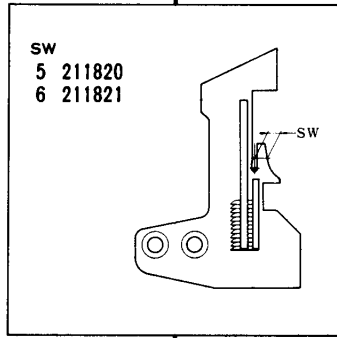
514-E52-250
514-E52-250C
/363-N

514-E52-252 512-E52-252
/463-W /463-W

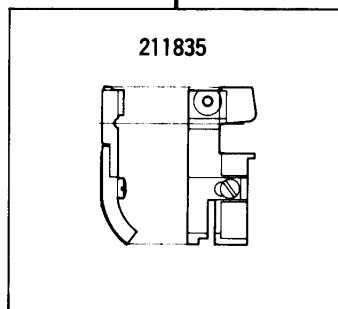
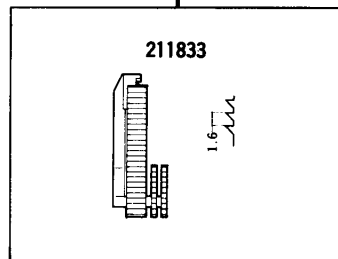
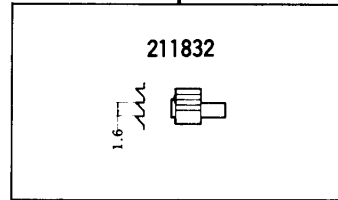
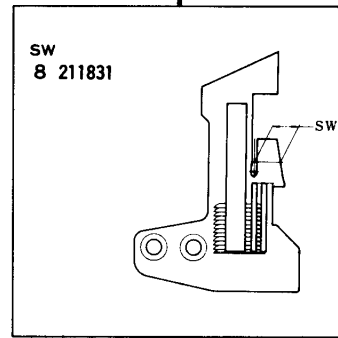


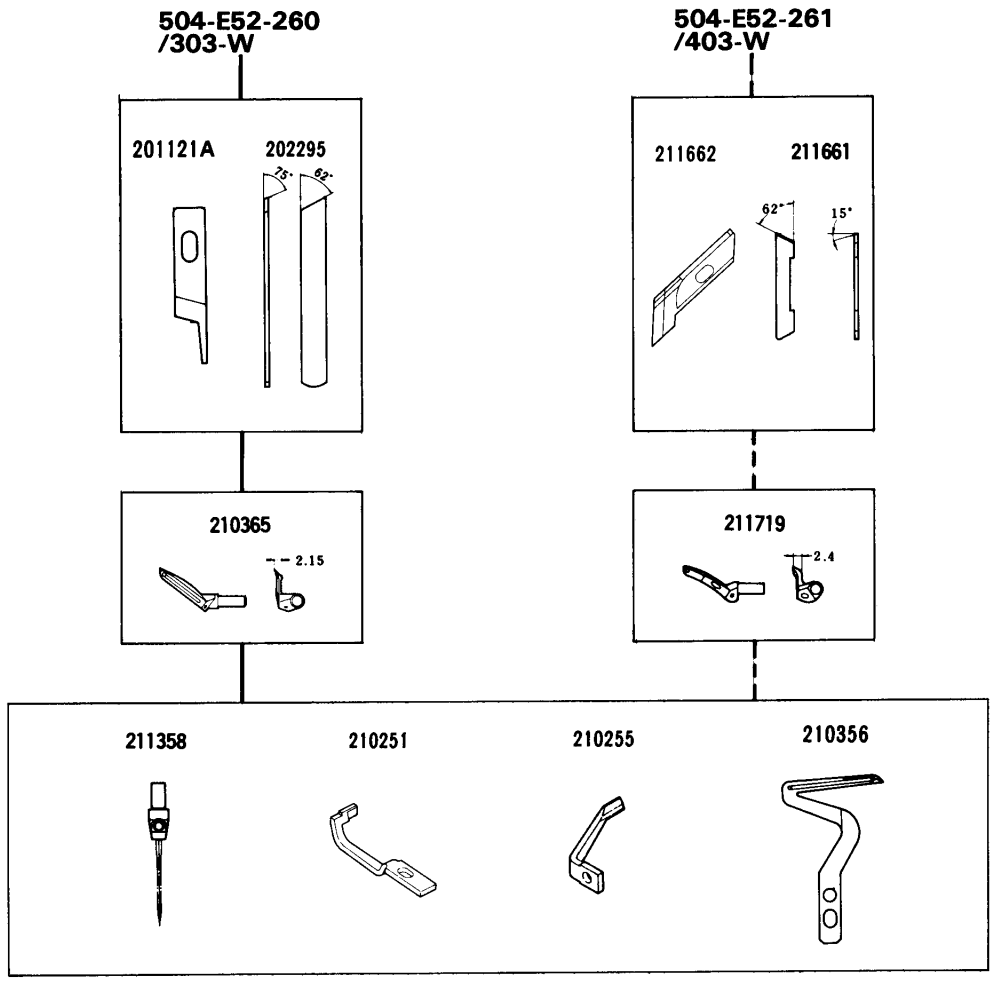
						MEMO	
514-E52-250/363-N	3.6	2	2·3·4·5	0.7~2	7,500		Specially designed presser foot for shoulder taping operations on light to medium weight materials such as sweatshirts, T-shirts etc.
514-E52-250C/363-N	3.2			1~3			Same as E52-250 but for more stretchy fabrics.
514-E52-252/463-W					6,000	Since the locus of the upper looper is high (extra-high lift) and the presser foot lift is big (7mm), it is ideal for taping/seaming on extra-heavy fabrics such as sweaters, etc.	








504-E52-260
/303-W

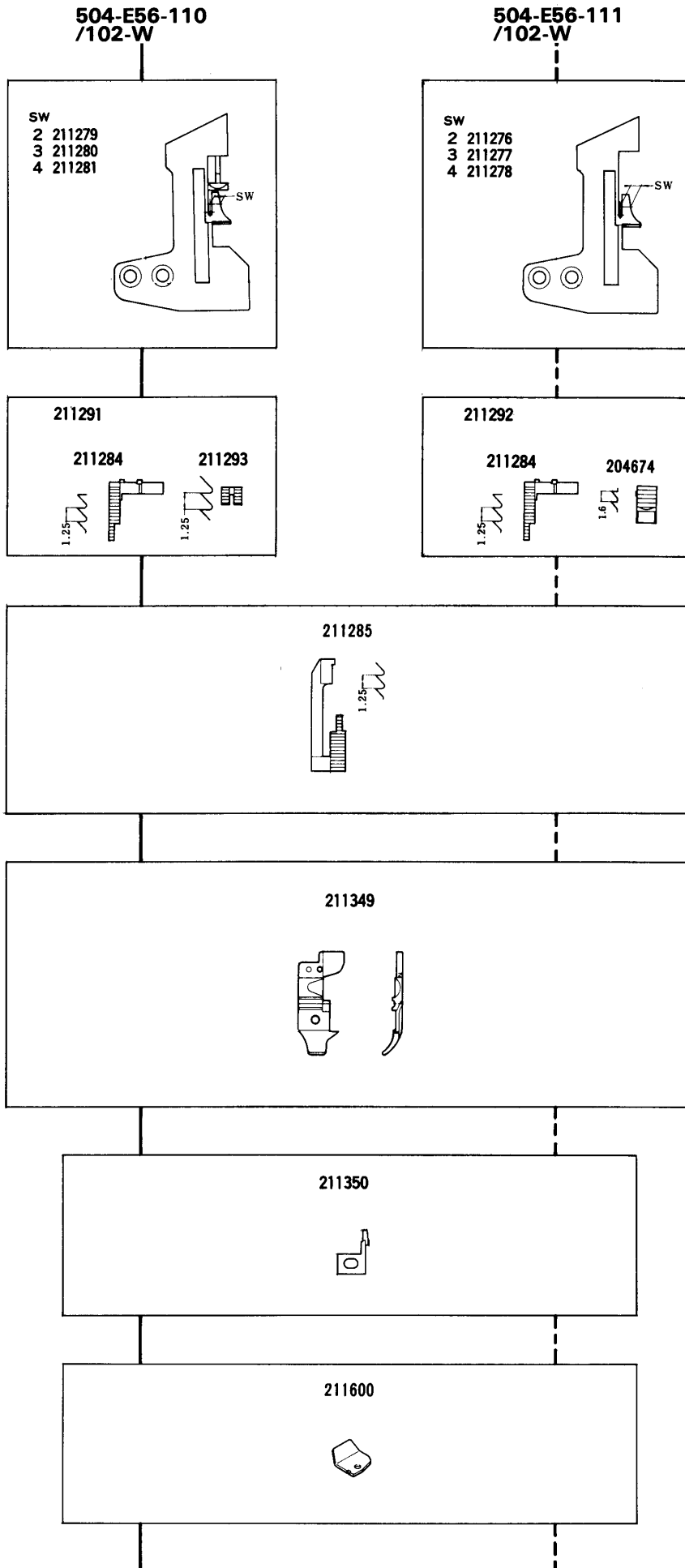


504-E52-261
/403-W

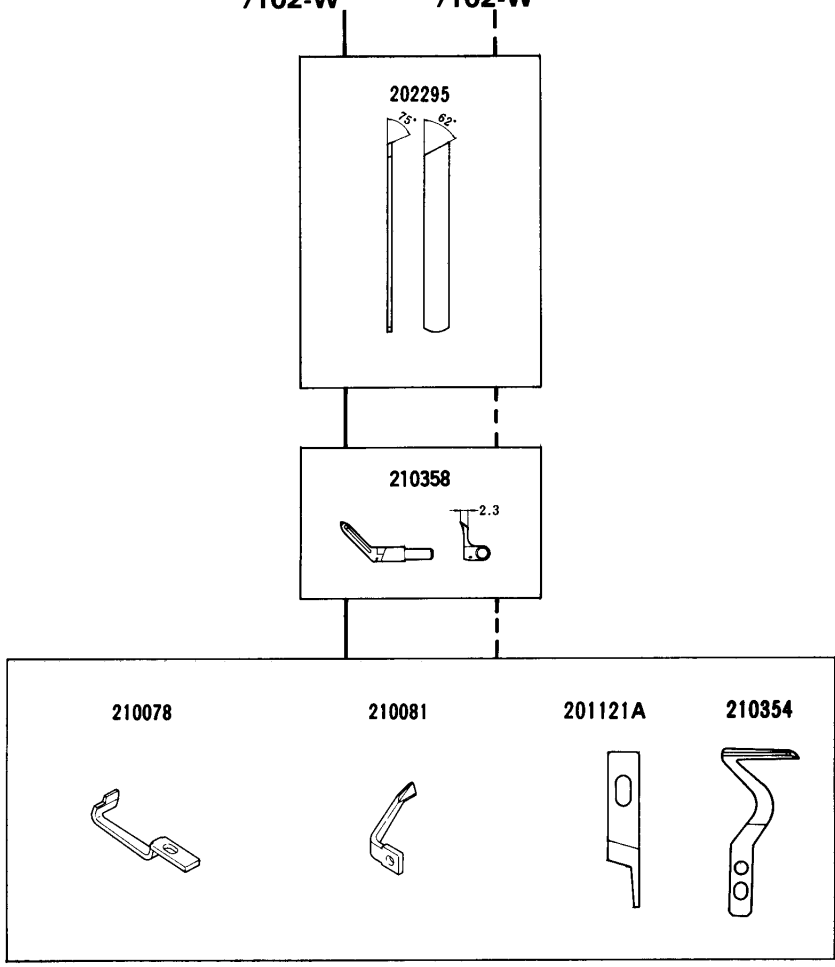











						MEMO	
504-E52-260/303-W	4.2	/	5-6	/	7,500		Attaching zipper which has a slider.
504-E52-261/403-W			8		6,500		Attaching zipper which does not have a slider.



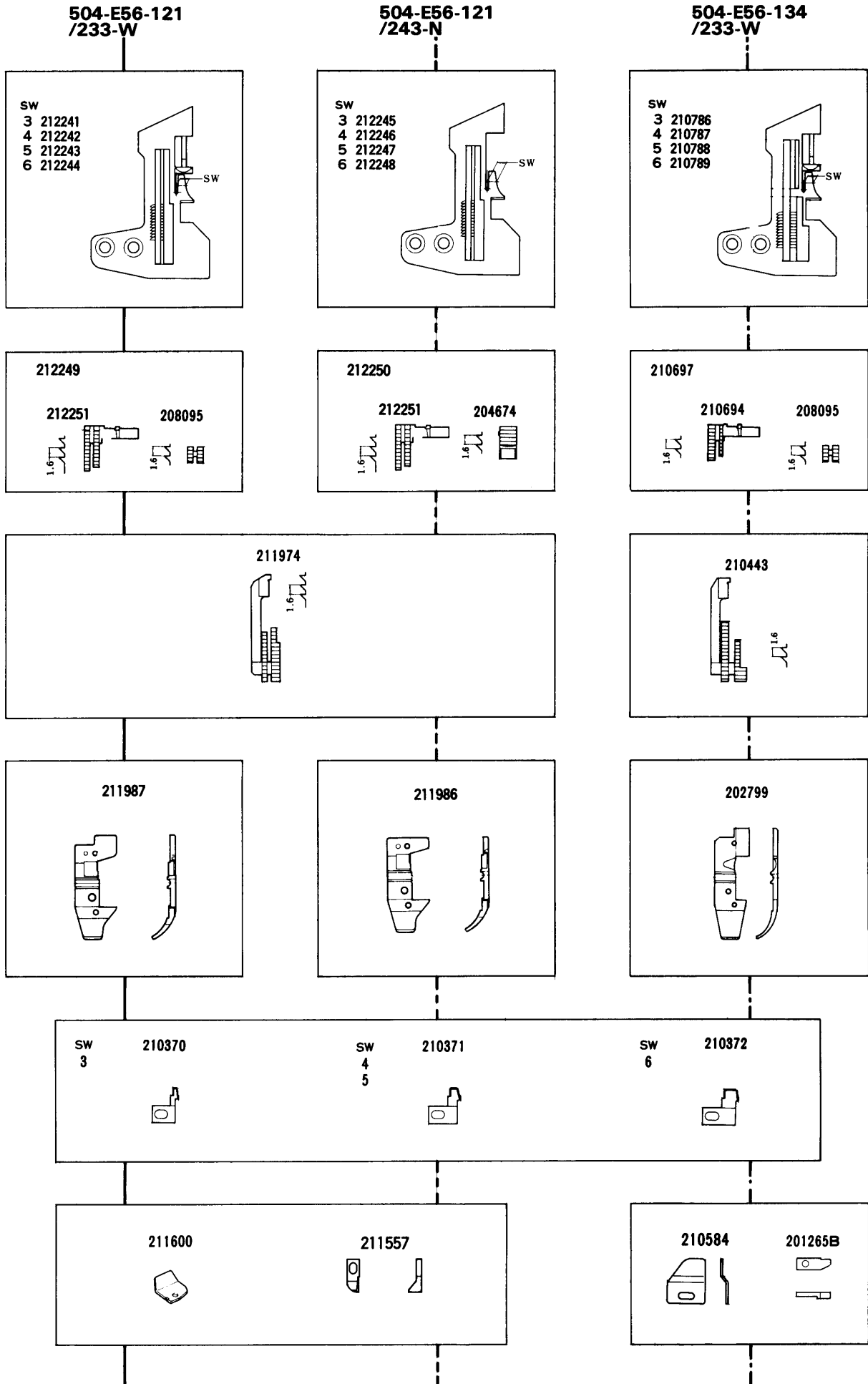
504-E56-110 /102-W 504-E56-111 /102-W

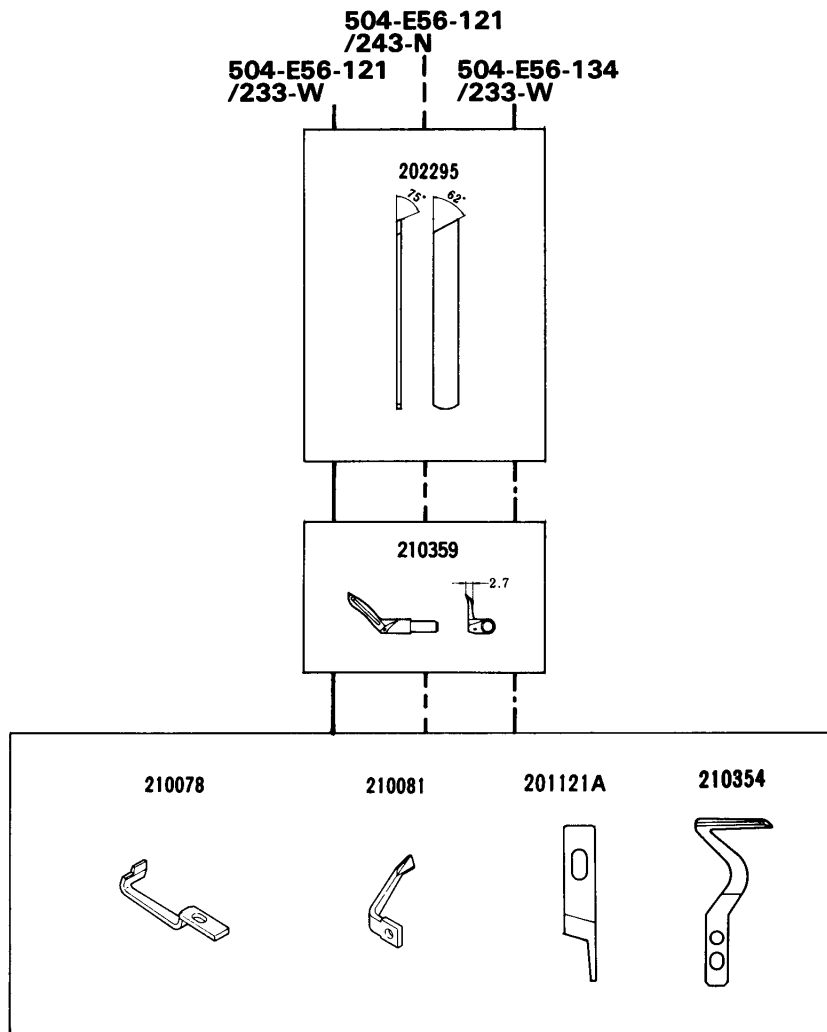









						MEMO	
504-E56-110/102-W	3.2	/	2·3·4	0.8~2	8,500		Specially designed for seaming on lingerie.
504-E56-111/102-W							

504-E56-121
504-E56-134

GAUGE PARTS
CONSTRUCTION CHART

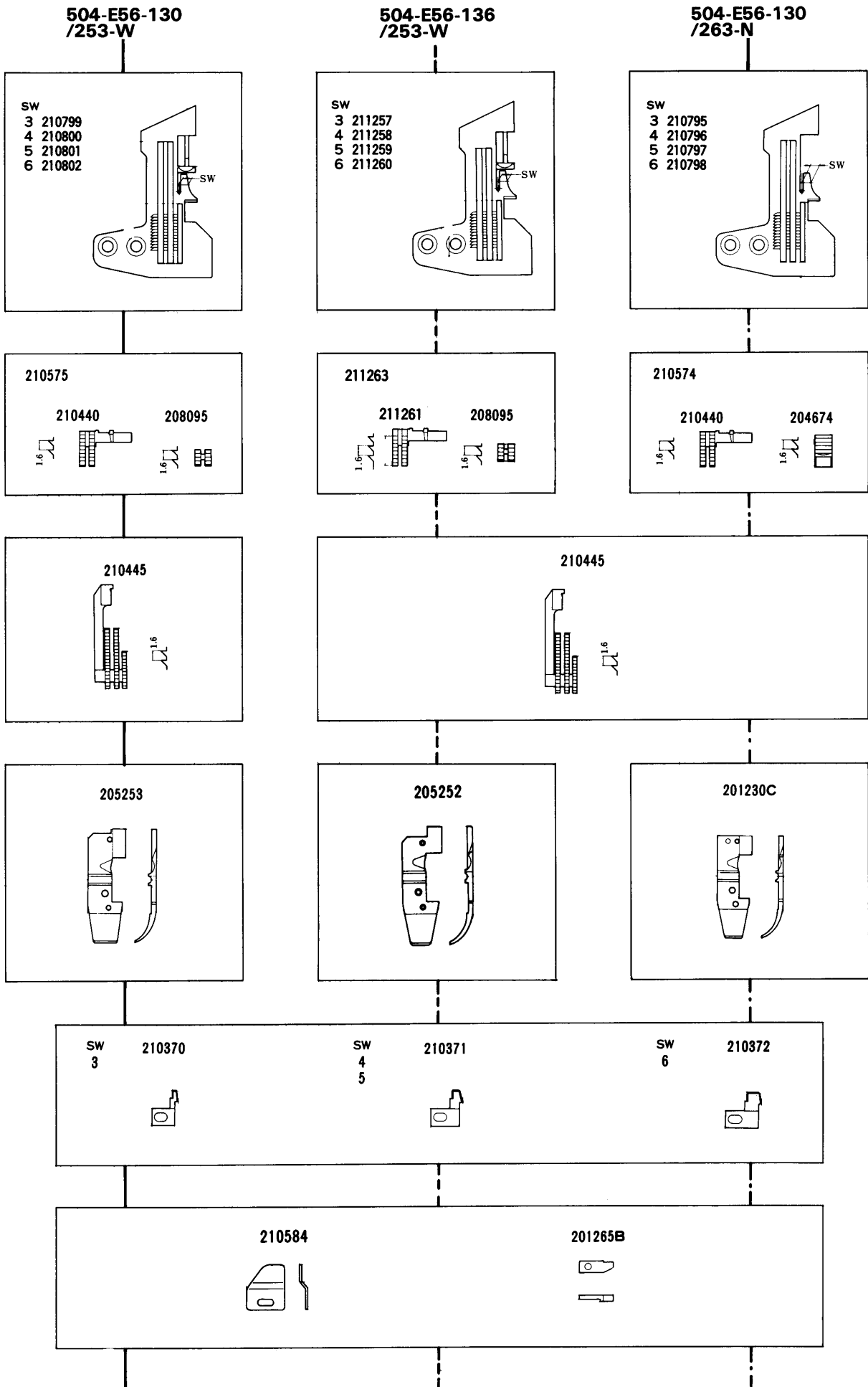


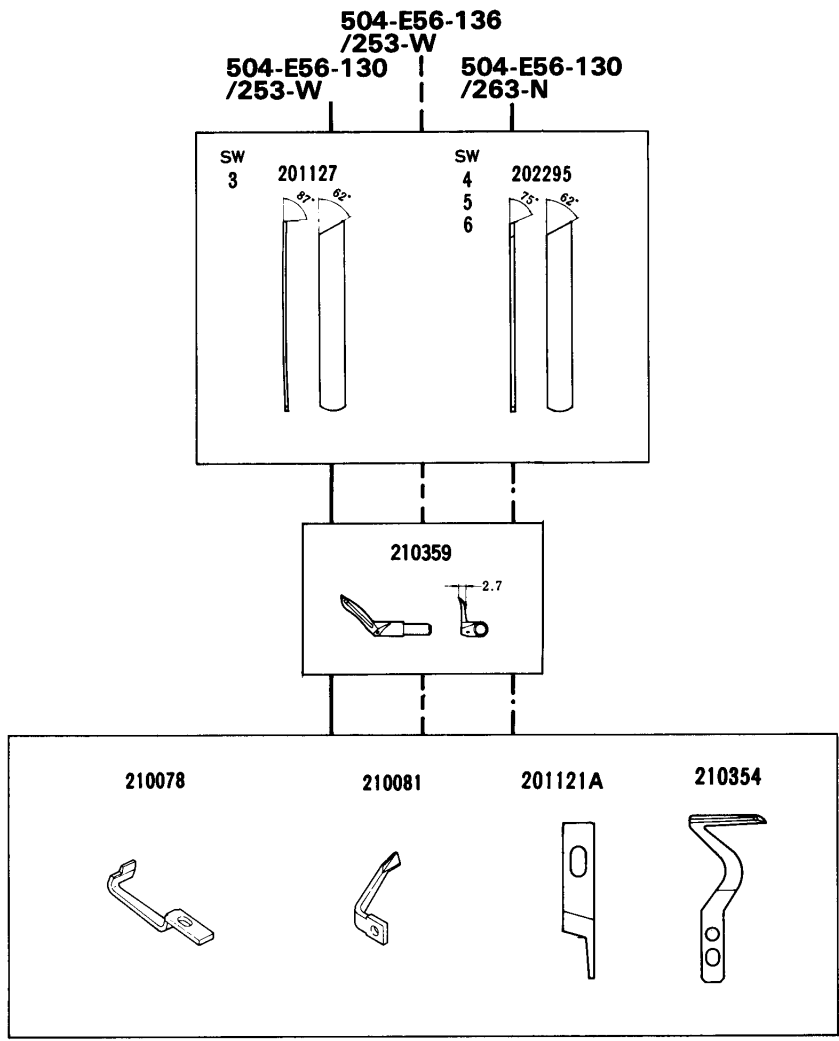









						MEMO	
504-E56-121/233-W	3.2	/					Seaming on foundations, light weight sweaters, dresses, etc.
504-E56-121/243-N							
504-E56-134/233-W	3.6					For sleeve, side and shoulder closing operations on light to medium weight materials such as underwear and ladies' and children's outerwear.	

504-E56-130
504-E56-136

GAUGE PARTS
CONSTRUCTION CHART

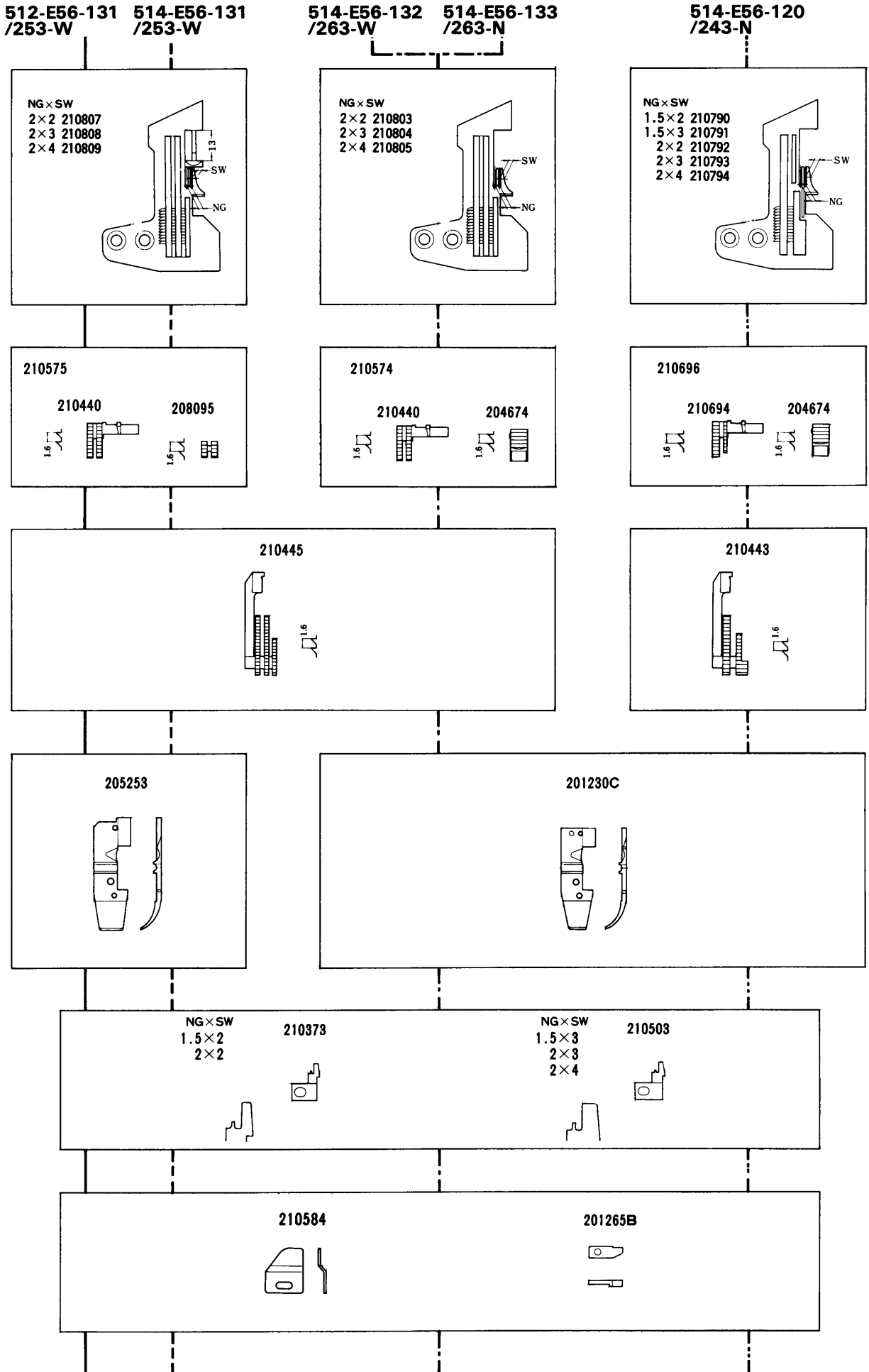


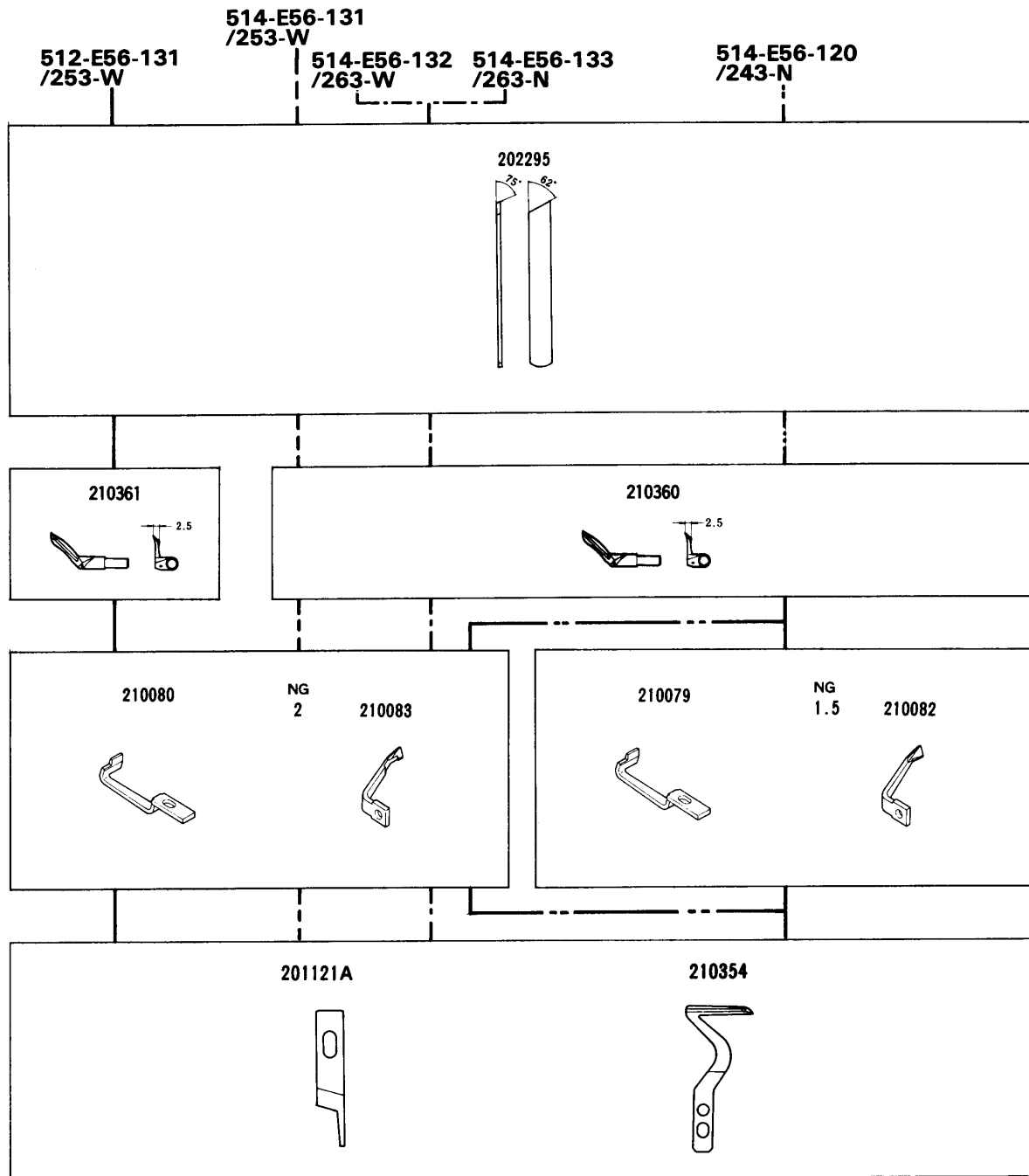





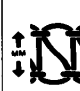



						MEMO	
504-E56-130/253-W	3.6	/	3-4-5-6	0.7~2	8,500		For sleeve, side and shoulder closing operations on light to medium weight materials such as underwear and ladies' and children's outerwear.
504-E56-130/263-N							
504-E56-136/253-W							

512-E56-131, 514-E56-132, 514-E56-120
 514-E56-131, 514-E56-133

GAUGE PARTS
 CONSTRUCTION CHART





						MEMO	
512-E56-131/253-W	3.6	2	2·3·4	0.7~2	8,000		Closing and attaching sleeves and side closing on dress shirts, blouses etc.
514-E56-131/253-W							
514-E56-132/263-W	3.2	1.5	2·3	0.7~2			
514-E56-133/263-N	3.6						
514-E56-120/243-N	1.5	2·3	0.7~2				
	2	2·3·4					

505-E56-210, 503-E56-220
503-E56-211, 503-E56-223

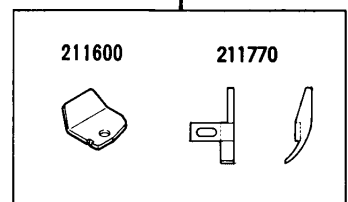
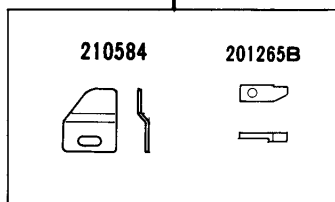
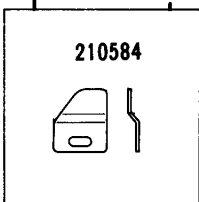
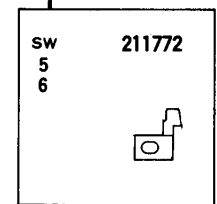
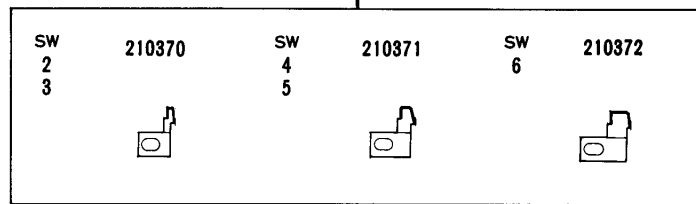
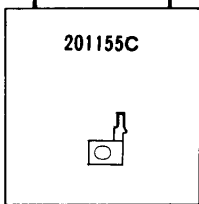
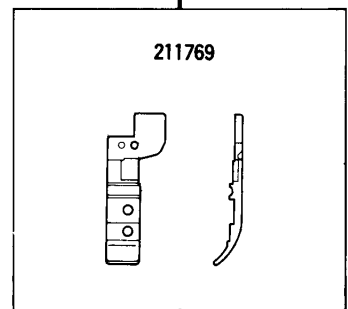
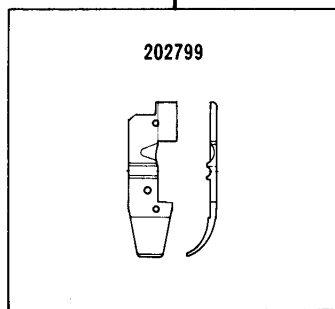
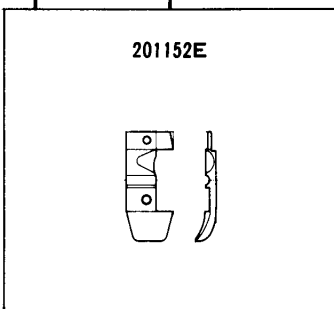
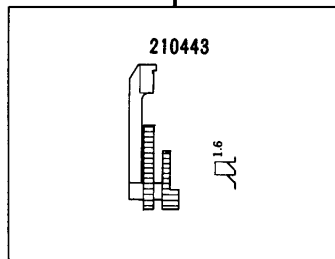
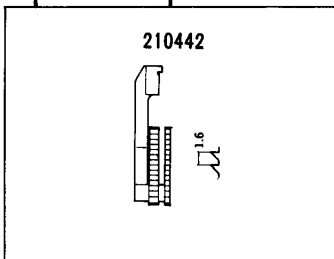
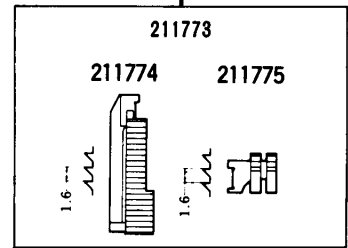
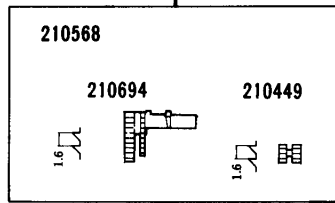
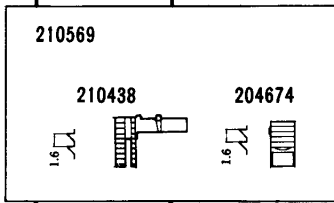
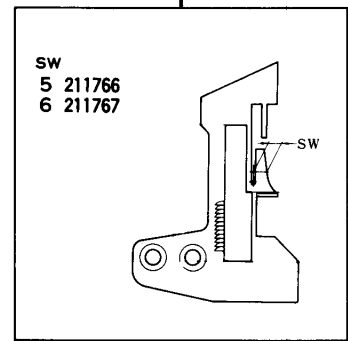
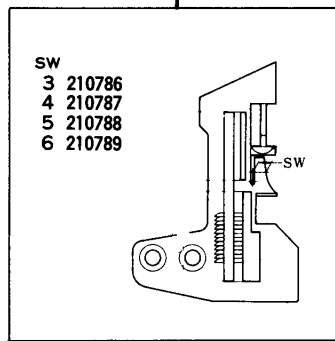
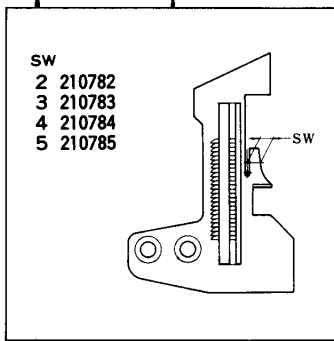
GUAGE PARTS
CONSTRUCTION CHART

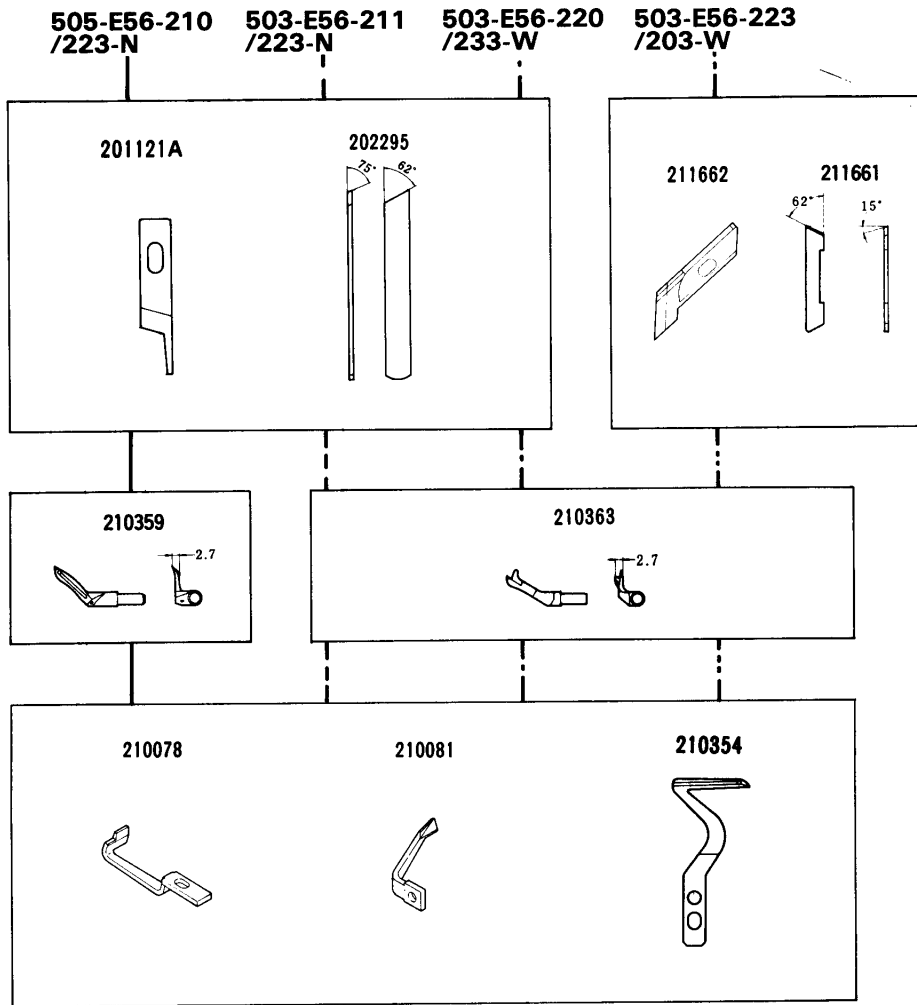
505-E56-210
/223-N









503-E56-211
/223-N

503-E56-220
/233-W

503-E56-223
/203-W





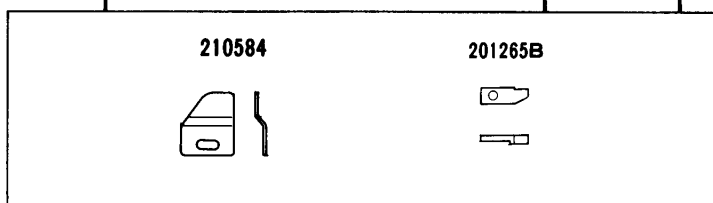
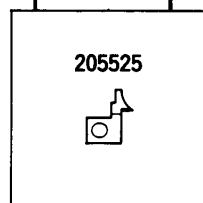
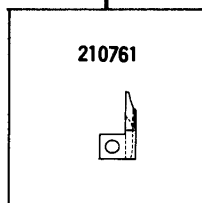
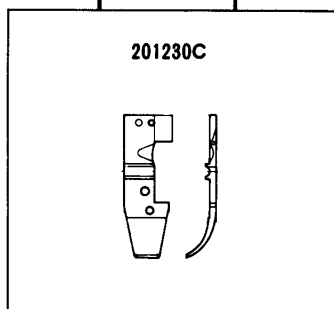
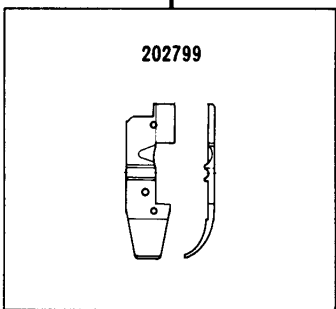
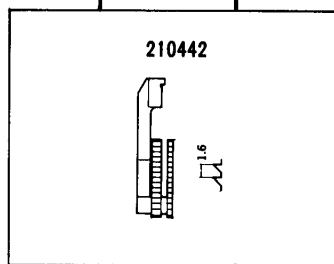
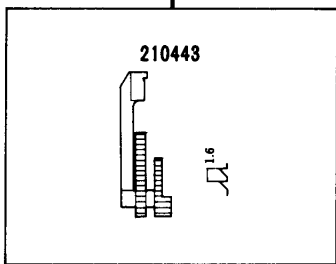
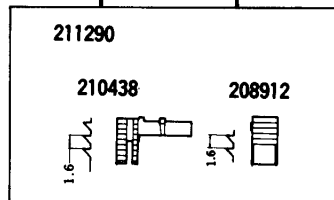
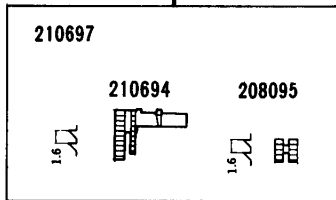
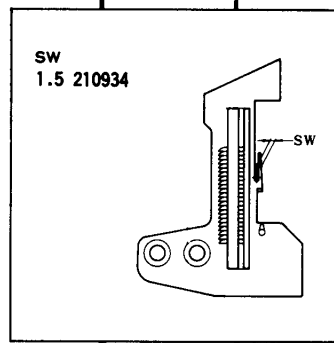
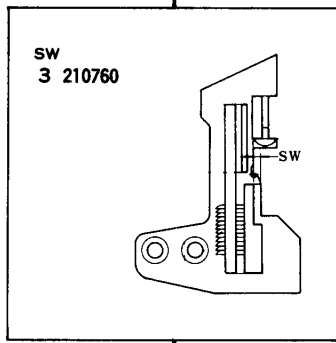
						MEMO		
505-E56-210/223-N	3.6		2·3·4·5	0.7~2	8,500		Three thread blindstitch hemming on light to medium weight materials such as U-neck undershirts, athletic shirts, briefs etc.	
503-E56-211/223-N							Two thread blindstitch hemming on light to medium weight materials such as U-neck undershirts, athletic shirts, briefs etc.	
503-E56-220/233-W			5.0	3·4·5·6	0.7~1.3	8,000		General serging operations on slacks, jackets, workingwear etc.
503-E56-223/203-W			6.2	5·6				

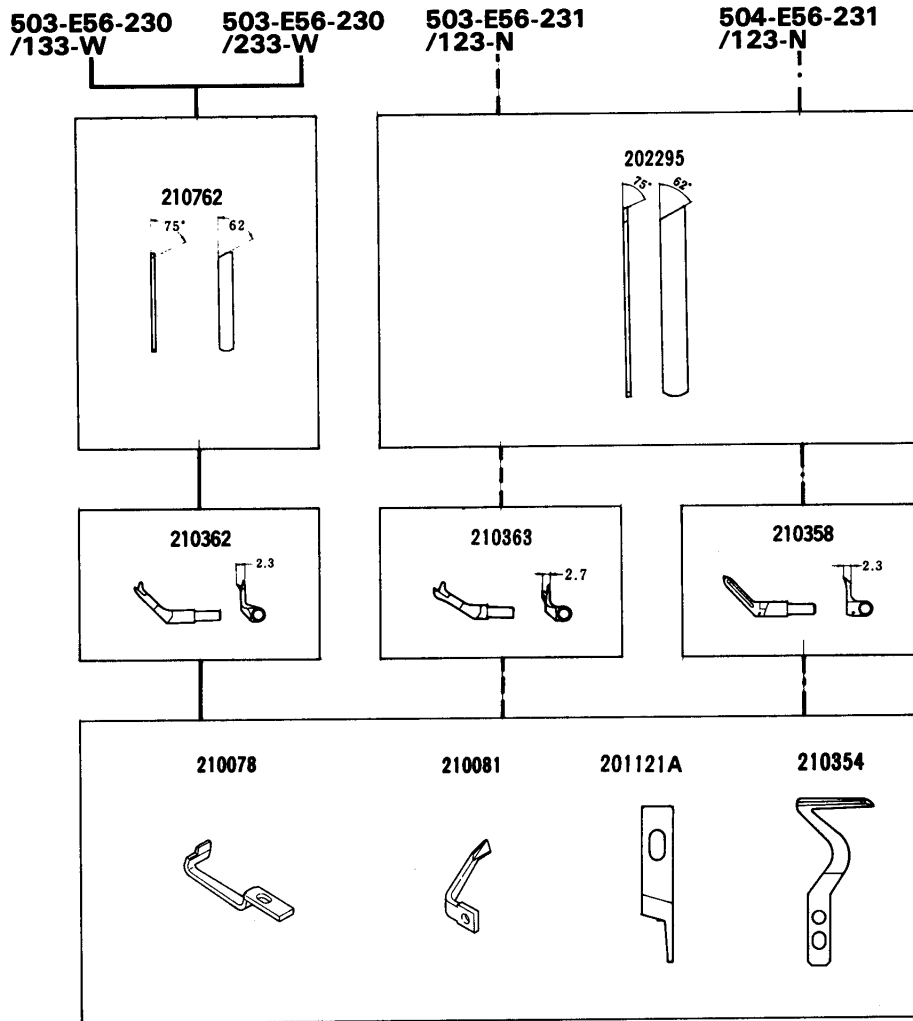
503-E56-230
503-E56-231








GAUGE PARTS
CONSTRUCTION CHART

503-E56-230 /133-W 503-E56-230 /233-W

503-E56-231 /123-N 504-E56-231 /123-N

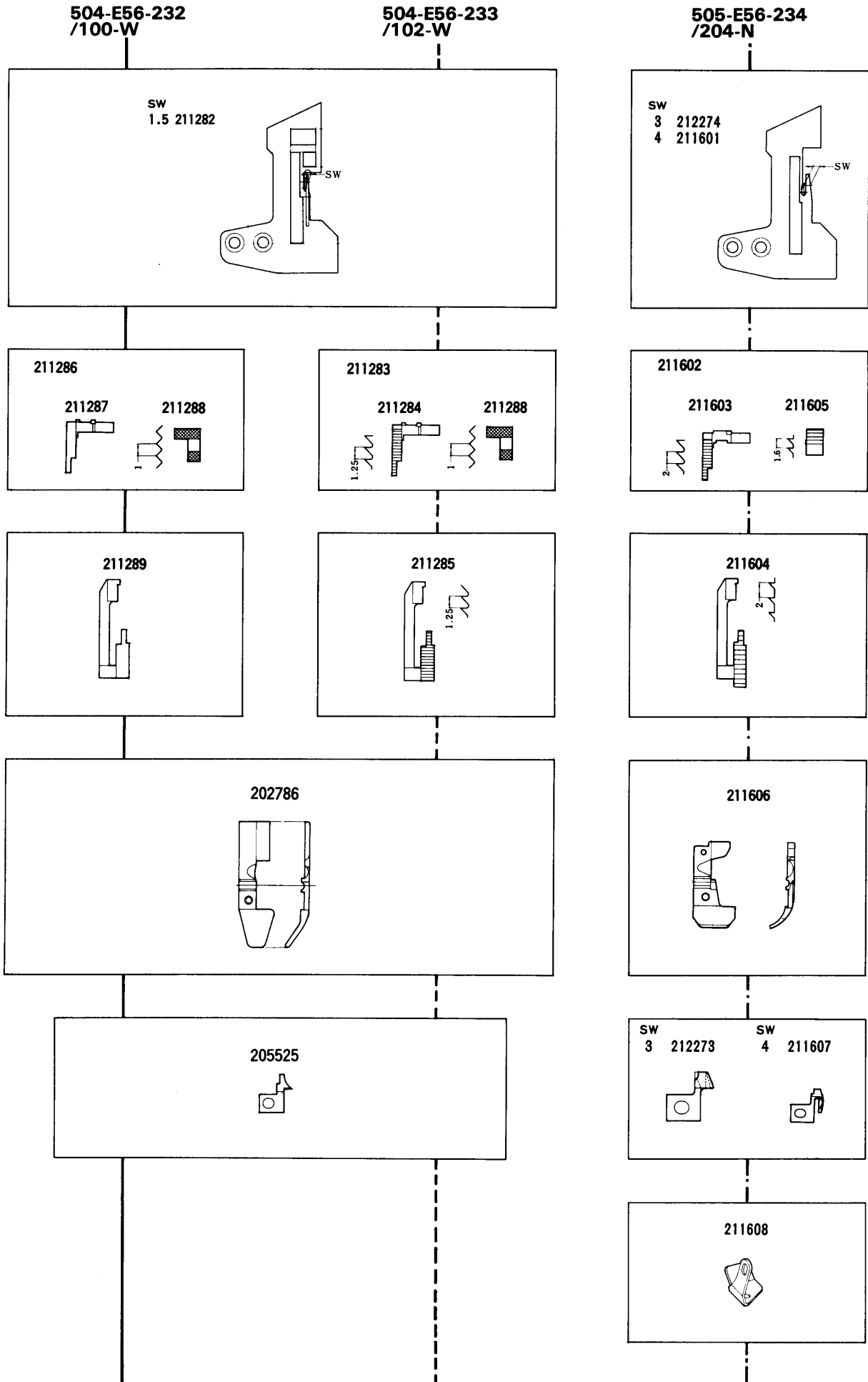


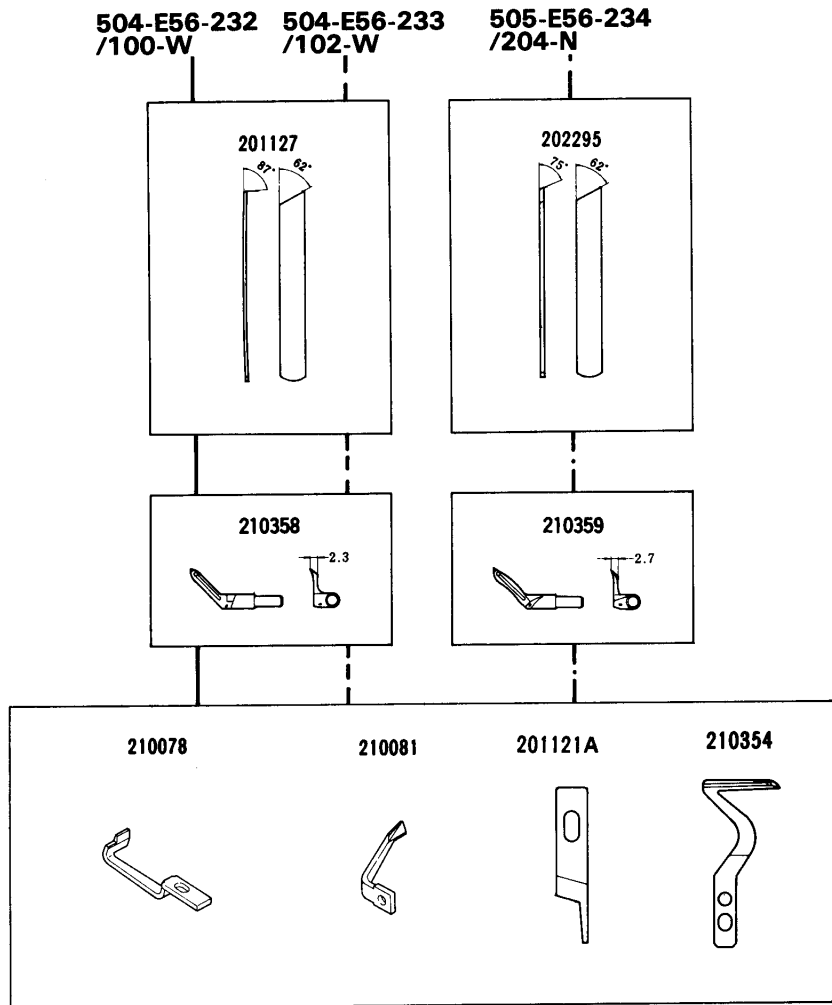





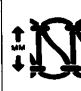



						MEMO	
503-E56-230/133-W	3.6	/	3	0.7~2	8,500		Two thread machine with low lift looper mechanism for light weight materials such as curtains, handkerchiefs etc.
503-E56-230/233-W	3.2						Two thread machine with standard lift looper mechanism for light to medium weight materials such as curtains.
503-E56-231/123-N	1.8		1.5	0.8~2			Two thread machine with low lift looper mechanism for light weight materials such as curtains, handkerchiefs etc.
504-E56-231/123-N							Three thread machine equipped with low lift looper mechanism for light weight materials such as handkerchiefs etc.

504-E56-232, 505-E56-234
504-E56-233

GAUGE PARTS
CONSTRUCTION CHART





						MEMO	
504-E56-232/100-W	1.8	/	1.5	0.7~1.7	8,500		Equipped with rubber coated feeds and low lift looper for extra light weight materials such as pantyhose, scarves etc.
504-E56-233/102-W							Equipped with fine-pitch feeds and low lift looper mechanism for extra lightweight materials such as curtains, scarves etc.
505-E56-234/204-N						3.6	3-4

504-E56-242, 514-E56-243
512-E56-243

GAUGE PARTS
CONSTRUCTION CHART

504-E56-242
/253-W

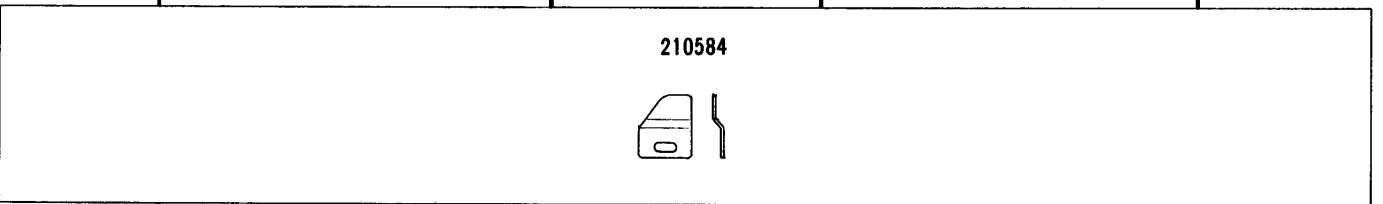
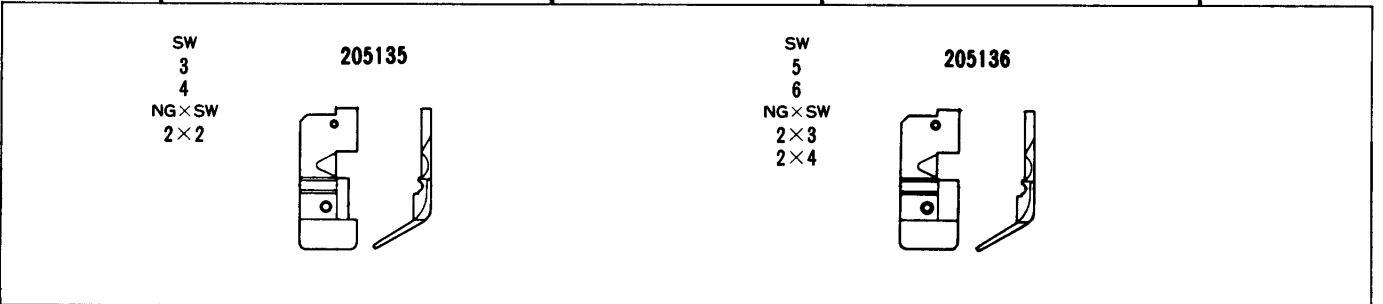
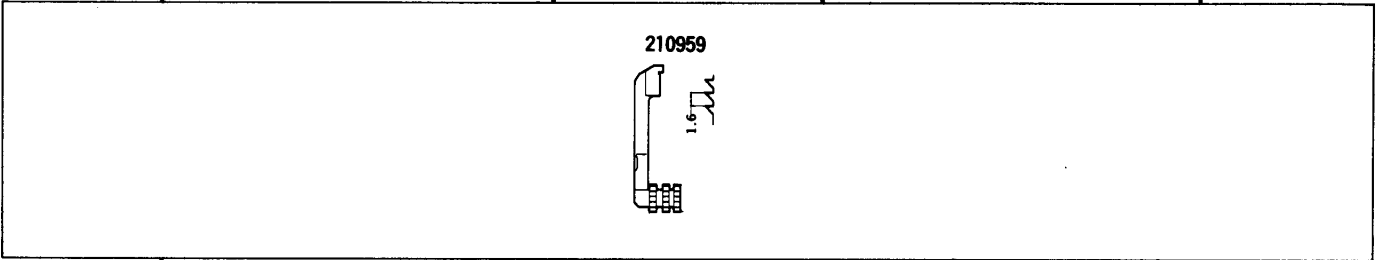
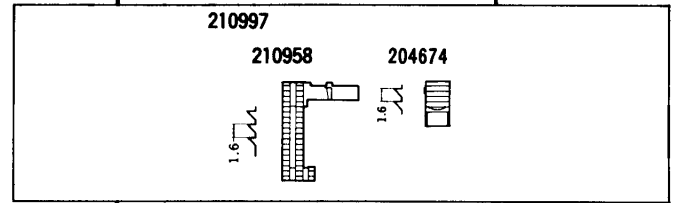
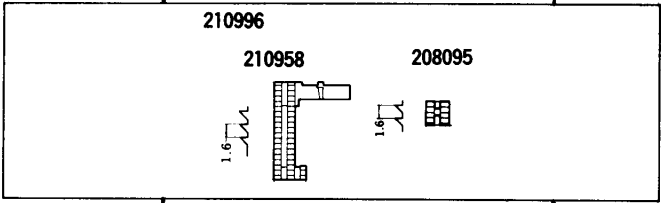
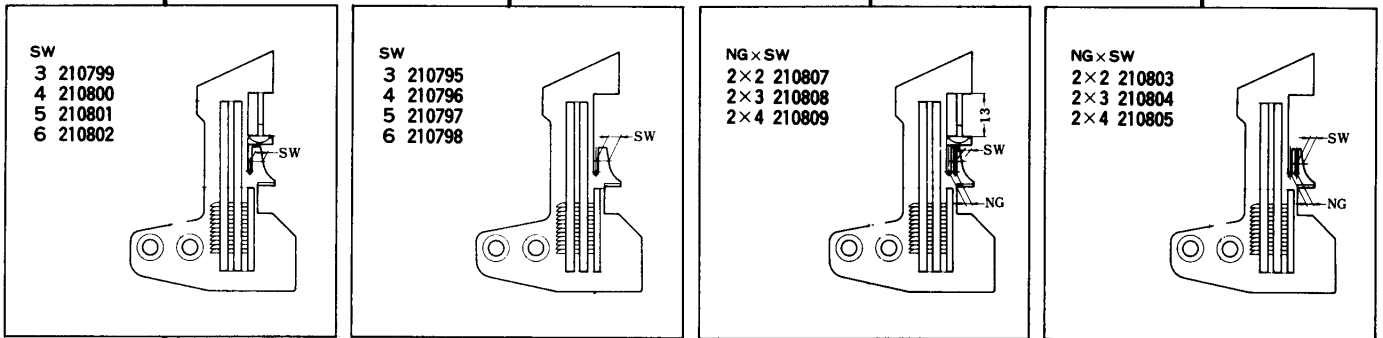
504-E56-242
/263-W

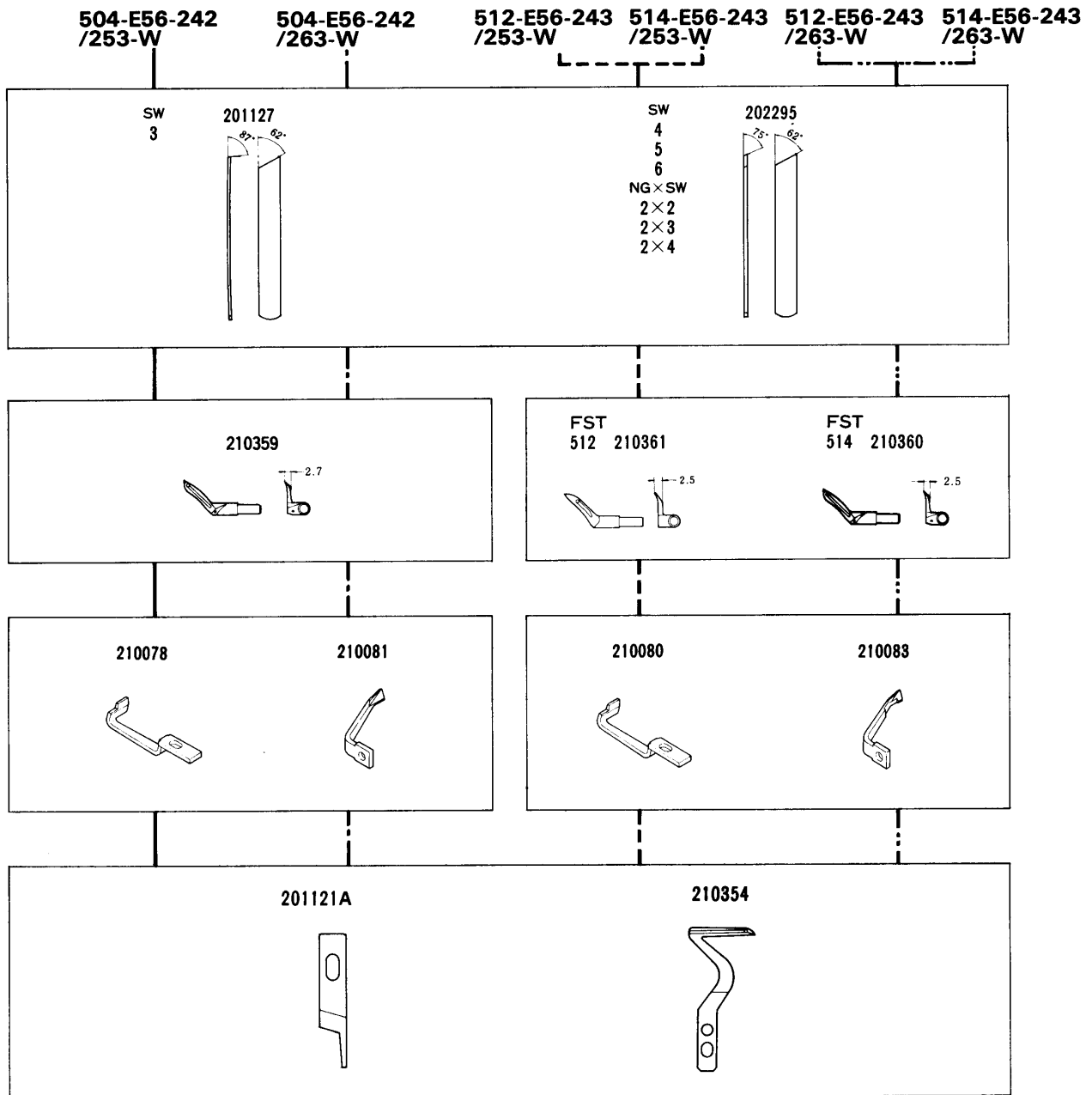
512-E56-243
/253-W









514-E56-243
/253-W

512-E56-243
/263-W

514-E56-243
/263-W

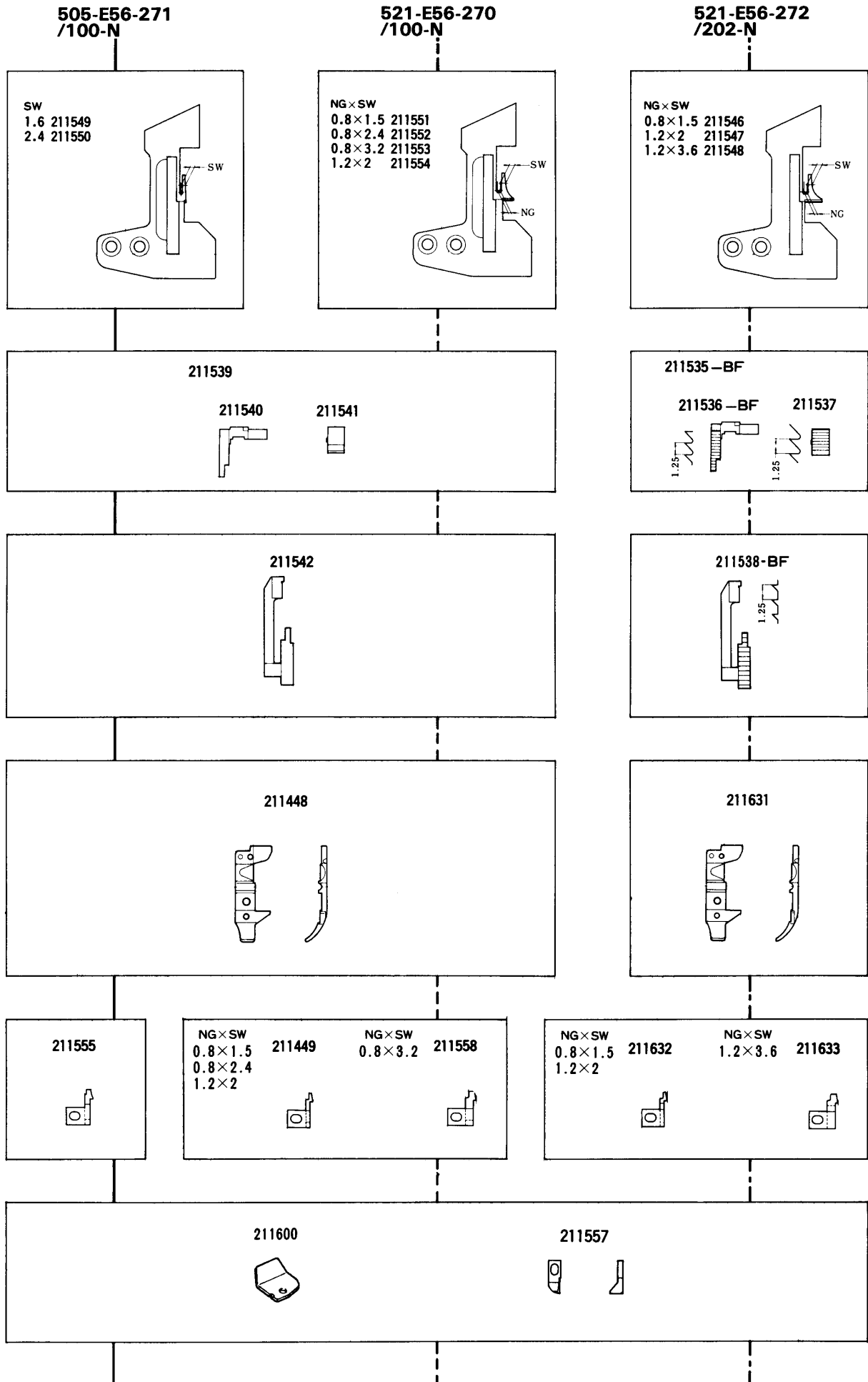


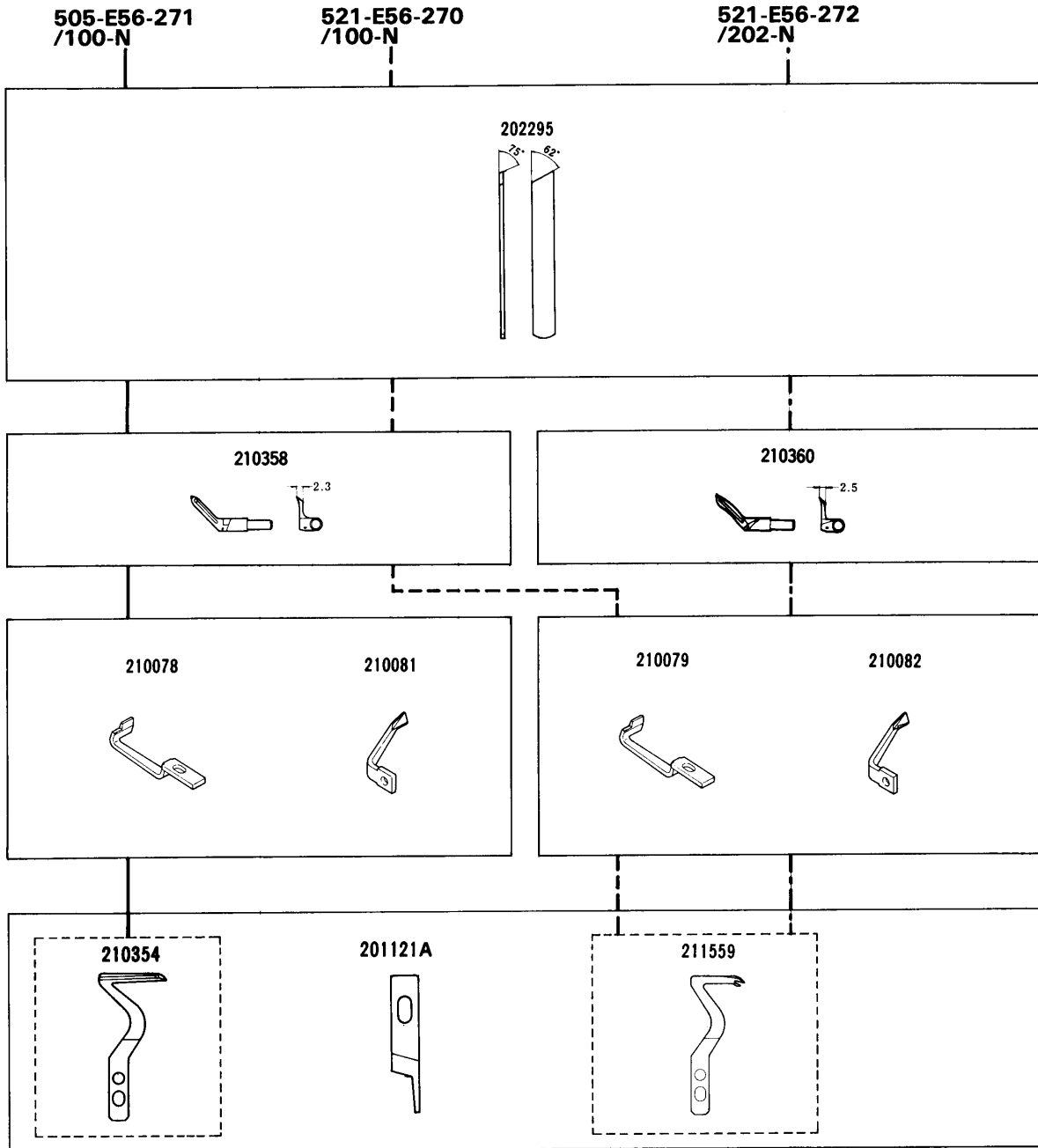









						MEMO					
504-E56-242/253-W	3.2	!	3·4·5·6	00	C						
504-E56-242/263-W											
512-E56-243/253-W			2					2·3·4	0.8~3	7,000	
512-E56-243/263-W											
514-E56-243-253-W											
514-E56-243/263-W											

521-E56-270, 521-E56-272
505-E56-271

GAUGE PARTS
CONSTRUCTION CHART





						MEMO		
505-E56-271/100-N	1.7	0.8	1.6·2.4	0.8~2	8,500		Single needle three thread machine with low lift looper mechanism for neat uniform toe closing and seaming of stockings and pantyhose.	
521-E56-270/100-N			1.2			1.5·2.4·3.2	2	
521-E56-272/202-N		0.8	1.5			8,000		Two needle three thread machine for toe closing of mens socks.
		1.2	2.0·3.6					

E32 GAUGE PARTS LIST (1)



MACHINE TYPE /SPEC.	GAUGE NG SW	NEEDLE PLATE	MAIN FEED COMPLETE	DIFF. FEED DOG	PRESSER FOOT COMPLETE	FAB. GUARD	UPPER LOOPER	UPPER SPREADER	NEEDLE HOLDER	NEEDLE GUARD	NEEDLE	
515-E32-410 /212-	2 3	210833	210892	210889	208503	208531	210364 #22	210512 #21	210272	210276	DCX27 #11	
	2 4	210834	"	"	"	"	"	"	"	"	"	
	2 5	210835	"	"	"	"	"	"	"	"	"	
	2 6	210836	"	"	"	"	"	"	"	"	"	
	3 3	210837	"	"	208504	"	"	"	210273	"	"	
	3 4	210838	"	"	"	"	"	"	"	"	"	
	3 5	210839	"	"	"	"	"	"	"	"	"	
	3 6	210840	"	"	"	"	"	"	"	"	"	
	515-E32-410 /211-	2 3	210833	210578	210491	208503	208531	210364 #22	210512 #21	210272	210276	DCX27 #11
		2 4	210834	"	"	"	"	"	"	"	"	"
		2 5	210835	"	"	"	"	"	"	"	"	"
		2 6	210836	"	"	"	"	"	"	"	"	"
3 3		210837	"	"	208504	"	"	"	210273	"	"	
3 4		210838	"	"	"	"	"	"	"	"	"	
515-E32-410A 515-E32-410B /212-	2 3	210833	210892	210889	211907	-----	210364 #22	210512 #21	210272	210276	DCX27 #11	
	2 4	210834	"	"	211908	-----	"	"	"	"	"	
	2 5	210835	"	"	211909	-----	"	"	"	"	"	
	2 6	210836	"	"	211910	-----	"	"	"	"	"	
	3 3	210837	"	"	208501	-----	"	"	210273	"	"	
	3 4	210838	"	"	"	-----	"	"	"	"	"	
	3 5	210839	"	"	"	-----	"	"	"	"	"	
	3 6	210840	"	"	"	-----	"	"	"	"	"	
	515-E32-411 /232-	2 3	210841	210893	210890	208500	208531	210364 #22	210512 #21	210272	210276	DCX27 #11
		2 4	210842	"	"	"	"	"	"	"	"	"
		2 5	210843	"	"	"	"	"	"	"	"	"
		2 6	210844	"	"	"	"	"	"	"	"	"
3 3		210845	"	"	208501	-----	"	"	210273	"	"	
3 4		210846	"	"	"	-----	"	"	"	"	"	
515-E32-420 /213 -	3 3	210837	210579	210492	208504	208531	210364 #22	210512 #21	210273	210276	DCX27 #11	
	3 4	210838	"	"	"	"	"	"	"	"	"	
	3 5	210839	"	"	"	"	"	"	"	"	"	
	3 6	210840	"	"	"	"	"	"	"	"	"	
	3 3	210837	210579	210492	211909	-----	210364 #22	210512 #21	210273	210276	DCX27 #11	
	3 4	210838	"	"	"	-----	"	"	"	"	"	
515-E32-420A 515-E32-420B /213 -	3 3	210837	210579	210492	211909	-----	210364 #22	210512 #21	210273	210276	DCX27 #11	
	3 4	210838	"	"	"	-----	"	"	"	"	"	
	3 5	210839	"	"	"	-----	"	"	"	"	"	
	3 6	210840	"	"	"	-----	"	"	"	"	"	
	3 3	210837	210579	210492	211909	-----	210364 #22	210512 #21	210273	210276	DCX27 #11	
	3 4	210838	"	"	"	-----	"	"	"	"	"	

COMMON GAUGE PARTS

- 210357 Chainstitch looper
- 210275 Overlock needle guard (front)
- 210278 Chainstitch needle guard (front)
- 210279 Chainstitch needle guard (rear)
- 201121A Upper knife
- 202295 Lower knife
- 210356 Lower looper

★ The upper knife is # 202527A.

E32 GAUGE PARTS LIST (2)



MACHINE TYPE /SPEC.	GAUGE NG SW	NEEDLE PLATE	MAIN FEED COMPLETE	DIFF. FEED DOG	PRESSER FOOT COMPLETE	FAB. GUARD	UPPER LOOPER	UPPER SPREADER	NEEDLE HOLDER	NEEDLE GUARD	NEEDLE
515-E32-430 /233-	2 3	210841	210581	210494	208500	208531	210365 #24	210513 #23	210272	210276	DCX27 #14
	2 4	210842	"	"	"	"	"	"	"	"	"
	2 5	210843	"	"	"	"	"	"	"	"	"
	2 6	210844	"	"	"	"	"	"	"	"	"
	3 3	210845	"	"	208501	"	"	"	210273	"	"
	3 4	210846	"	"	"	"	"	"	"	"	"
515-E32-431 /233-	3 5	210847	210581-SH	210494-SH	208501	208531	-----	210512 #21	210273	210276	DCX27 #11
	2 3	210855	210582	210498	208500	208531	210365 #24	210513 #23	210272	210276	DCX27 #16
	2 4	210856	"	"	"	"	"	"	"	"	"
	2 5	210857	"	"	"	"	"	"	"	"	"
	2 6	210858	"	"	"	"	"	"	210273	"	"
	3 3	210859	"	"	210501	208501	"	"	210274	"	"
515-E32-450 /335-	3 4	210860	"	"	"	"	"	"	"	"	"
	3 5	210861	"	"	"	"	"	"	"	"	"
	3 6	210862	"	"	"	"	"	"	"	"	"
	5 3	210863	"	"	208502	"	"	"	210274	"	"
	5 4	210864	"	"	"	"	"	"	"	"	"
	5 5	210865	"	"	"	"	"	"	"	"	"
515-E32-451 /355-	5 6	210866	"	"	"	"	"	"	"	"	"
	3 5	211371	210582	210495	211366	204683	210365 #24	210513 #23	210273	210276	See note below.
	3 6	211372	"	"	"	"	"	"	"	"	"
	5 5	210853	"	"	208955	"	"	"	210274	"	"
	5 6	210854	"	"	"	"	"	"	"	"	"
	5 5	210867	210582	210582	210501	208955	204683	210365 #24	210513 #23	210274	210276
515-E32-452 /435-	5 6	210868	"	"	"	"	"	"	"	"	"
	3 5	210371	210582	210495	211366	204683	211719 #38	211845 #29	210273	210276	"
	3 6	210372	"	"	"	"	"	"	"	"	"
	5 5	210853	"	"	208955	"	"	"	210274	"	"
	5 6	210854	"	"	"	"	"	"	"	"	"
	5 7	212117	"	"	"	"	"	"	"	"	"
515-E32-453 /455-	5 5	210867	210582	210501	208955	204683	211719 #38	211845 #29	210274	210276	"
	5 6	210868	"	"	"	"	"	"	"	"	"
	5 7	212190	"	"	"	"	"	"	"	"	"

★ Chainstitch looper is #210357-HC.
 Overlock needle is DC×1, #19.
 Chainstitch needle is DC×27, #19.

COMMON GAUGE PARTS
 210357 Chainstitch looper
 210275 Overlock needle guard (front)
 210278 Chainstitch needle guard (front)
 210279 Chainstitch needle guard (rear)

201121A Upper knife
 202295 Lower knife
 210356 Lower looper

E32 GAUGE PARTS LIST (3)



MACHINE TYPE /SPEC.	GAUGE NG SW	NEEDLE PLATE	MAIN FEED COMPLETE	DIFF. FEED DOG	PRESSER FOOT COMPLETE	FAB. GUARD	UPPER LOOPER	UPPER SPREADER	NEEDLE HOLDER	NEEDLE GUARD	NEEDLE
515-E32-540 /233-	2	210964	211000	211011	208507	208532	210364 #22	210512 #21	210272	210276	DCX27 #11
	2	210965	"	"	"	"	"	"	"	"	"
	2	210966	"	"	"	"	"	"	"	"	"
	2	210967	"	"	"	"	"	"	"	"	"
	3	210968	"	"	208508	"	210365 #24	210513 #23	210273	"	DCX27 #14
	3	210969	"	"	"	"	"	"	"	"	"
515-E32-541 /335-	3	210970	"	"	"	"	"	"	"	"	"
	3	210971	"	"	208509	"	"	"	210274	"	"
	5	210972	"	"	"	"	"	"	"	"	"
	5	210973	"	"	"	"	"	"	"	"	"
	5	210974	"	"	"	"	"	"	"	"	"
	5	210975	"	"	"	"	"	"	"	"	"
515-E32-542 /253-	3	210968	211001	211012	208508	208532	210367 #28	210514 #25	210273	210276	DCX27 #16
	3	210969	"	"	"	"	"	"	"	"	"
	3	210970	"	"	"	"	"	"	"	"	"
	3	210971	"	"	"	"	"	"	"	"	"
	5	210972	"	"	208509	"	"	"	210274	"	"
	5	210973	"	"	"	"	"	"	"	"	"
515-E32-542 /253-	5	210974	"	"	"	"	"	"	"	"	"
	5	210975	"	"	"	"	"	"	"	"	"
	2	210976	211002	210957	208507	208532	210364 #22	210512 #21	210272	210276	DCX27 #11
	2	210977	"	"	"	"	"	"	"	"	"
	2	210978	"	"	"	"	"	"	"	"	"
	2	210979	"	"	"	"	"	"	"	"	"
515-E32-542 /253-	3	210980	"	"	208508	"	210365 #24	210513 #23	210273	"	DCX27 #14
	3	210981	"	"	"	"	"	"	"	"	"
	3	210982	"	"	"	"	"	"	"	"	"
	3	210983	"	"	"	"	"	"	"	"	"
	5	210984	211003	"	208509	"	"	"	210274	"	"
	5	210985	"	"	"	"	"	"	"	"	"
515-E32-542P1 /253-	5	210986	"	"	"	"	"	"	"	"	"
	5	210987	"	"	"	"	"	"	"	"	"
	3	210980	211002	210957	204502A	204460	210365 #24	210513 #23	210273	210276	DCX27 #14
	3	210981	"	"	"	"	"	"	"	"	"
	3	210982	"	"	"	"	"	"	"	"	"
	3	210983	"	"	"	"	"	"	"	"	"
515-E32-542P2 /253-	5	210984	211003	"	204505A	"	"	"	210274	"	"
	5	210985	"	"	"	"	"	"	"	"	"
	5	210986	"	"	"	"	"	"	"	"	"
	5	210987	"	"	"	"	"	"	"	"	"
	5	210988	"	"	"	"	"	"	"	"	"
	5	210989	"	"	"	"	"	"	"	"	"

COMMON GAUGE PARTS

- 210357 Chainstitch looper
- 210275 Overlock needle guard (front)
- 210278 Chainstitch needle guard (front)
- 210279 Chainstitch needle guard (rear)
- 201121A Upper knife
- 202295 Lower knife
- 210356 Lower looper

E32 GAUGE PARTS LIST (4)



MACHINE TYPE /SPEC.	GAUGE NG SW	NEEDLE PLATE	MAIN FEED COMPLETE	DIFF. FEED DOG	PRESSER FOOT COMPLETE	FAB. GUARD	UPPER LOOPER	UPPER SPREADER	NEEDLE HOLDER	NEEDLE GUARD	NEEDLE
515-E32-543 /355-	3	210980	211004	211013	208508	208532	210367	210514	210273	210276	DCX27 #16
	4	210981	"	"	"	"	" #28	"	"	"	"
	5	210982	"	"	"	"	"	"	"	"	"
	3	210983	"	"	"	"	"	"	"	"	"
	6	210984	211005	"	208509	"	"	"	210274	"	"
	5	210985	"	"	"	"	"	"	"	"	"
515-E32-550 /213-	4	211379	210579	210492	208998	208531	210364	---	210273	210276	DCX27 #11
	5	211380	"	"	"	"	" #22	---	"	"	"
	3	211381	210581	210494	209202	208531	210364	---	210273	210276	DCX27 #11
515-E32-551 /233-	4	211382	"	"	"	"	" #22	---	"	"	"
	5	211383	"	"	209204	"	"	---	210274	"	"
	5	211384	"	"	"	"	"	---	"	"	"

★	516-E32-355	3 2	211569	210492	208649	208531	210365	---	211573	210724	DCX27 #11
★	516-E32-359	3 2	211570	210492	208649	208531	" #24	---	"	"	"
★	516-E32-555	3 2	211569	210492	208649	208531	211507	---	211573	210724	DCX27 #11
★	516-E32-559	3 2	211570	210494	209255	208531	" #36	---	"	"	"
★	516-E32-555	5 2	211574	210494	209255	208531	210365	---	211577	210724	DCX27 #11
★	516-E32-559	5 2	211575	210494	209255	208531	" #24	---	"	"	"
★	516-E32-559	5 2	211574	210494	209255	208531	211507	---	211577	210724	DCX27 #11
★	516-E32-559	5 2	211575	210494	209255	208531	" #36	---	"	"	"

COMMON GAUGE PARTS

- 210357 Chainstitch looper
- 210275 Overlock needle guard (front)
- 210278 Chainstitch needle guard (front)
- 210279 Chamstitch needle guard (rear)
- 201121A Upper knife
- 202295 Lower knife
- 210356 Lower looper

★ The overlock needle guard (front) is #211578.

E52 GAUGE PARTS LIST (1)



MACHINE TYPE /SPEC.	GAUGE NG SW	NEEDLE PLATE	MAIN FEED COMPLETE	DIFF. FEED DOG	PRESSER FOOT		FINGER	FAB. GRD	LOWER KNIFE	UPPER LOOPER	NEEDLE GUARD (FRONT)	NEEDLE GUARD (REAR)	NEEDLE HOLDER	NEEDLE
					BODY	TA								
★ 504-E52-121 /233-W	3	212241	212249	211974	211987	210370	211557	202295	210364	210251	210255	211358	DCX27 #11	
	4	212242	"	"	"	210371	"	"	"	"	"	"	"	
	5	212243	"	"	"	210372	"	"	"	"	"	"	"	
	6	212244	"	"	"	210370	211557	202295	210364	210251	210255	211358	DCX27 #11	
	3	212245	212250	211974	211986	210370	211557	202295	210364	210251	210255	211358	DCX27 #11	
	4	212246	"	"	"	210371	"	"	"	"	"	"	"	
★ 504-E52-121 /243-N	5	212247	"	"	"	210372	"	"	"	"	"	"	"	
	6	212248	"	"	"	210370	211557	202295	210364	210251	210255	211358	DCX27 #11	
	3	212241	212250	211974	211986	210370	211557	202295	210364	210251	210255	211358	DCX27 #11	
	4	212242	"	"	"	210371	"	"	"	"	"	"	"	
	3	210799	210575	210445	205253	210370	201265B	201127	210365	210251	210255	211358	DCX27 #14	
	4	210800	"	"	"	210371	"	"	"	"	"	"	"	
★ 504-E52-130 /253-W	5	210801	"	"	"	210372	"	"	"	"	"	"	"	
	6	210802	"	"	"	210370	201265B	201127	210364	210251	210255	211358	DCX27 #11	
	3	210795	210574	210445	201230C	210370	201265B	201127	210364	210251	210255	211358	DCX27 #11	
	4	210796	"	"	"	210371	"	"	"	"	"	"	"	
	5	210797	"	"	"	210371	"	"	"	"	"	"	"	
	6	210798	"	"	"	210372	"	"	"	"	"	"	"	
★ 504-E52-130P1 /253-W	3	210799	210575	210445	211873-TA	212271-TA	---	201127	210365	210251	210255	211358	DCX27 #11	
	4	210800	"	"	"	211874-TA	---	202295	"	"	"	"	"	
	5	210801	"	"	"	"	---	"	"	"	"	"	"	
	6	210798	"	"	"	"	---	"	"	"	"	"	"	
	3	210795	210574	210445	201230C	210370	201265B	201127	210364	210251	210255	211358	DCX27 #11	
	4	210796	"	"	"	"	"	"	"	"	"	"	"	
★ 512-E52-131M /353-W	2	210807	210575	210445	205253	210373	201265B	202295	210368	210252	210724	211360	DCX27 #14	
	3	210808	"	"	"	210503	"	"	"	"	"	"	"	
	2	210809	"	"	"	210374	"	"	"	"	"	"	"	
	2	210810	"	"	"	"	"	"	"	"	"	"	"	
	2	210807	210575	210445	205253	210370	201265B	201127	210364	210251	210255	211358	DCX27 #11	
	4	210796	"	"	"	"	"	"	"	"	"	"	"	
★ 514-E52-131M /353-W	2	210808	210575	210445	205253	210373	201265B	202295	210365	210252	210724	211360	DCX27 #11	
	3	210808	"	"	"	210503	"	"	"	"	"	"	"	
	2	210809	"	"	"	210374	"	"	"	"	"	"	"	
	2	210810	"	"	"	"	"	"	"	"	"	"	"	
	2	210807	210575	210445	205253	210370	201265B	201127	210364	210251	210255	211358	DCX27 #11	
	4	210796	"	"	"	"	"	"	"	"	"	"	"	
★ 514-E52-131MP1 /353-W	2	210808	210575	210445	211873-TA	211875-TA	---	202295	210365	210252	210724	211360	DCX27 #11	
	3	210808	"	"	"	"	---	"	"	"	"	"	"	
	2	210809	"	"	"	"	---	"	"	"	"	"	"	
	2	210810	"	"	"	"	---	"	"	"	"	"	"	
	2	210807	210575	210445	205253	210370	201265B	201127	210364	210251	210255	211358	DCX27 #11	
	4	210796	"	"	"	"	"	"	"	"	"	"	"	
★ 514-E52-132M /363-W	2	210803	210574	210445	201230C	210373	201265B	202295	210365	210252	210724	211360	DCX27 #11	
	3	210804	"	"	"	210503	"	"	"	"	"	"	"	
	2	210805	"	"	"	210374	"	"	"	"	"	"	"	
	2	210806	"	"	"	"	"	"	"	"	"	"	"	
	2	210807	210575	210445	205253	210370	201265B	201127	210364	210251	210255	211358	DCX27 #11	
	4	210796	"	"	"	"	"	"	"	"	"	"	"	

Lower looper (M-line machines) 212644

COMMON GAUGE PARTS
 201121A Upper knife
 210356 Lower looper
 210584 Presser foot uncurler

Model	Presser foot uncurler	Lower looper
E52-121	211600	210356
121T	"	212215
130P1,P2	---	210356
130T	210584	212215
131P1,P2	---	210356

E52 GAUGE PARTS LIST (2)



MACHINE TYPE /SPEC.	GAUGE NG SW	NEEDLE PLATE	MAIN FEED COMPLETE	DIFF. FEED DOG	PRESSER FOOT BODY	FINGER	FAB. GRD KNIFE	LOWER KNIFE	UPPER LOOPER	NEEDLE (FRONT)	NEEDLE GUARD (REAR)	NEEDLE HOLDER	NEEDLE
514-E52-133M /363-N	2	210803	210574	210445	201230C	210373	201265B	202295	210365	210252	210724	211360	DCX27 #11
	2	210804	"	"	"	210503	"	"	" #24	"	"	"	"
	2	210805	"	"	"	210374	"	"	"	"	"	"	"
	2	210806	"	"	"	"	"	"	"	"	"	"	"
	2	210803	210574	210445	201230C	210373	201265B	202295	210365	210252	210724	211360	DCX27 #11
514-E52-133MZ /363-N	2	210804	"	"	"	210503	"	"	" #24	"	"	"	"
	2	210805	"	"	"	210374	"	"	"	"	"	"	"
	2	210806	"	"	"	"	"	"	"	"	"	"	"
	3	210786	210697	210443	202799	210370	201265B	202295	210365	210251	210255	211358	DCX27 #14
	4	210787	"	"	"	210371	"	"	" #24	"	"	"	"
514-E52-135M /373-W	5	210788	"	"	"	"	"	"	"	"	"	"	"
	6	210789	"	"	"	210372	"	"	"	"	"	"	"
	2	210825	210575	210447	202799	210503	201265B	201127	210368	210252	210724	211360	DCX27 #14
	2	210826	"	"	"	210374	"	202295	" #34	"	"	"	"
	2	210827	"	"	"	"	"	"	"	210253	"	211361	"
504-E52-136 /253-W	2.5	210828	"	"	"	210375	"	201127	"	"	"	"	"
	2.5	210829	"	"	"	"	"	202295	"	210254	"	211362	"
	3	210831	"	"	"	"	"	"	"	"	"	"	"
	3	210832	"	"	"	210376	"	"	"	"	"	"	"
	3	211257	211263	210445	205252	210370	201265B	201127	210364	210251	210255	211358	DCX27 #11
514-E52-137M /323-N	4	211258	"	"	"	210371	"	202295	" #22	"	"	"	"
	5	211259	"	"	"	"	"	"	"	"	"	"	"
	6	211260	"	"	"	210372	"	"	"	"	"	"	"
	2	210905	210569	210442	201230C	210373	201265B	202295	210365	210252	210724	211360	DCX27 #11
	2	210906	"	"	"	210503	"	"	" #24	"	"	"	"
514-E52-140M /385-W	2	210907	"	"	"	210374	"	"	"	"	"	"	"
	2	210817	210576	210448	201230C	210503	201265B	201127	210729	210252	210724	211360	DCX27 #14
	2	210818	"	"	"	210374	"	202295	" #30	"	"	"	"
	2	210819	"	"	"	"	"	"	"	"	"	"	"
	2	210820	"	"	"	210375	"	201127	210730	210253	"	211361	"
504-E52-141 /463-W	2.5	210821	"	"	"	"	"	202295	" #32	"	"	"	"
	3	210795	210574	210445	201230C	210370	201265B	201127	211719	210251	210255	211358	DCX27 #11
	4	210796	"	"	"	210371	"	202295	" #38	"	"	"	"
	5	210797	"	"	"	"	"	"	"	"	"	"	"
	6	210798	"	"	"	210372	"	"	"	"	"	"	"
512-E52-142 /463-W	2	210803	210574	210445	201230C	210373	201265B	202295	211844	210252	210724	211360	DCX27 #11
	2	210804	"	"	"	210503	"	"	" #42	"	"	"	"
	2	210805	"	"	"	210374	"	"	"	"	"	"	"
	2	210806	"	"	"	"	"	"	"	"	"	"	"
	2	210803	210574	210445	201230C	210373	201265B	202295	211719	210252	210724	211360	DCX27 #11
514-E52-142 /463-W	2	210803	"	"	"	210503	"	"	" #38	"	"	"	"
	3	210804	"	"	"	"	"	"	"	"	"	"	"

Lower looper (M-line machines) 212644

COMMON GAUGE PARTS
 201121A Upper knife
 210356 Lower looper
 210584 Presser foot uncurler

E52 GAUGE PARTS LIST (3)



MACHINE TYPE /SPEC.	GAUGE NG SW	NEEDLE PLATE	MAIN FEED COMPLETE	DIFF. FEED DOG	PRESSER FOOT		FAB. GRD	LOWER KNIFE	UPPER LOOPER	NEEDLE GUARD		NEEDLE HOLDER	NEEDLE
					BODY	FINGER				(FRONT)	(REAR)		
505-E52-210 505-E52-210C /223-N	2	210782	210569	210442	201152E	201155C	---	202295	210364 #22	210251	210255	211358	DCX27 #11
	3	210783	"	"	"	"	---	"	"	"	"	"	"
	4	210784	"	"	"	"	---	"	"	"	"	"	"
	5	210785	"	"	"	"	---	"	"	"	"	"	"
	2	210782	210569	210442	201152E	201155C	---	202295	210512 #21	210251	210255	211358	DCX27
503-E52-211	3	210783	"	"	"	"	---	"	"	"	"	"	"
	4	210784	"	"	"	"	---	"	"	"	"	"	"
	5	210785	"	"	"	"	---	"	"	"	"	"	"
	2	210782	210569	210442	211991	211993	211994	202295	210364 #22	210251	210255	211358	DCX27 #11
	3	210783	"	"	"	"	"	"	"	"	"	"	"
505-E52-212 /223-N	4	210784	"	"	"	"	"	"	"	"	"	"	"
	5	210785	"	"	"	"	"	"	"	"	"	"	"
	2	210782	210568	210443	202799	210370 210371	201265B	202295	210513 #23	210251	210255	211358	DCX27 #14
	3	210786	"	"	"	210372	"	"	"	"	"	"	"
	4	210787	"	"	"	"	"	"	"	"	"	"	"
503-E52-220 /233-W	5	210788	"	"	"	"	"	"	"	"	"	"	"
	6	210789	"	"	"	"	"	"	"	"	"	"	"
	3	210795	210576	210446	201230C	210370 210371	201265B	201127 202295	210365 #24	210251	210255	211358	DCX27 #18
	4	210796	"	"	"	"	"	"	"	"	"	"	"
	5	210797	"	"	"	"	"	"	"	"	"	"	"
503-E52-221 /365-W	6	210798	"	"	"	210372	"	"	"	"	"	"	"
	5	211424	211425	210443	303718	210371	---	202295	210513 #23	210251	210255	211358	DCX27 #14
	5	211424	211425	210443	303718	210371	---	202295	210365 #24	210251	210255	211358	DCX27 #14
	5	211766	211773	---	211768	211772	---	211661	210513 #23	210251	210255	211358	DCX27 #14
	6	211767	"	---	"	"	---	"	"	"	"	"	"
503-E52-225A /393-	5	302205-50	302206-16	302208-16	302209	210371A	---	202295	210514 #25	210251	210255	211358	DCX27 #14
	5	302205-50	302206-16	302208-16	302209	210371A	---	202295	210367 #28	210251	210255	211358	DCX27 #14
	5	301974	301723	210443	301724	210371	301725	202295	210515 #27	210251	210255	211358	DCX27 #11
	5	301974	301723	210443	301724	210371	301725	202295	210366 #26	210251	210255	211358	DCX27 #11
	1.5	210934	211290	210442	201230C	205525	201265B	202295	210364 #22	210251	210255	211358	DCX27 #11

★ For E52-212, the presser foot uncurler is #211600.
 For E52-212, the presser foot uncurler is #211600.
 For E52-222, the presser foot uncurler is not fitted.
 For E52-223, the presser foot uncurler is not fitted and the upper knife is #211662.

COMMON GAUGE PARTS
 201121A Upper knife
 210356 Lower looper
 210584 Presser foot uncurler

E52 GAUGE PARTS LIST (4)



MACHINE TYPE /SPEC.	GAUGE NG. SW	NEEDLE PLATE	MAIN FEED COMPLETE	DIFF. FEED DOG	PRESSER FOOT BODY	FINGER	FAB. GRD.	LOWER KNIFE	UPPER LOOPER	NEEDLE GUARD (FRONT)	NEEDLE GUARD (REAR)	NEEDLE HOLDER	NEEDLE
504-E52-242 /253-W	3	210799	210996	210959	205135	---	---	201127	210364	210251	210255	211358	DCX27 #11
	4	210800	"	"	"	---	---	202295	"	"	"	"	"
	5	210801	"	"	205136	---	---	"	"	"	"	"	"
504-E52-242 /263-W	6	210802	"	"	"	---	---	"	"	"	"	"	"
	3	210795	210997	210959	205135	---	---	201127	210364	210251	210255	211358	DCX27 #11
	4	210796	"	"	"	---	---	202295	"	"	"	"	"
504-E52-242P1 504-E52-242P2 /253-W	5	210797	"	"	205136	---	---	"	"	"	"	"	"
	6	210798	"	"	"	---	---	"	"	"	"	"	"
	5	210801	210996	210959	208782	---	---	202295	210364	210251	210255	211358	DCX27 #11
512-E52-243M /353-W	2	210807	210996	210959	205135	---	---	202295	211507	210252	210724	211360	DCX27 #11
	3	210808	"	"	205136	---	---	"	"	"	"	"	"
	4	210809	"	"	"	---	---	"	"	"	"	"	"
	5	210810	"	"	"	---	---	"	"	"	"	"	"
	2	210803	210997	210959	205135	---	---	202295	211507	210252	210724	211360	DCX27 #11
514-E52-243M /353-W	3	210804	"	"	205136	---	---	"	"	"	"	"	"
	4	210805	"	"	"	---	---	"	"	"	"	"	"
	5	210806	"	"	"	---	---	"	"	"	"	"	"
	2	210807	210996	210959	205135	---	---	202295	210365	210252	210724	211360	DCX27 #11
	3	210808	"	"	205136	---	---	"	"	"	"	"	"
514-E52-243M /363-W	4	210809	"	"	"	---	---	"	"	"	"	"	"
	5	210810	"	"	"	---	---	"	"	"	"	"	"
	2	210803	210997	210959	205135	---	---	202295	210365	210252	210724	211360	DCX27 #11
	3	210804	"	"	205136	---	---	"	"	"	"	"	"
	4	210805	"	"	"	---	---	"	"	"	"	"	"
514-E52-243MP1 514-E52-243MP2 /353-W	5	210806	210996	210959	208782	---	---	202295	210365	210252	210724	211360	DCX27 #11
	2	210808	"	"	"	---	---	"	"	"	"	"	"
	3	210809	"	"	"	---	---	"	"	"	"	"	"
	4	210809	"	"	"	---	---	"	"	"	"	"	"
	2	210808	210996	210959	208782	---	---	202295	210365	210252	210724	211360	DCX27 #11

COMMON GAUGE PARTS
 201121A Upper knife
 210356 Lower looper
 210584 Presser foot uncurler

Lower looper (M-line machines) 212644

E52 GAUGE PARTS LIST (5)



MACHINE TYPE /SPEC.	GAUGE NG SW	NEEDLE PLATE	MAIN FEED COMPLETE	DIFF. FEED DOG	PRESSER FOOT BODY	FINGER	FAB. GRD	LOWER KNIFE	UPPER LOOPER	NEEDLE (FRONT)	NEEDLE GUARD (REAR)	NEEDLE HOLDER	NEEDLE
514-E52-250M 514-E52-250MC /363-N	2	210803	210574	210445	208730	208731	---	202295	210365	210252	210724	211360	DCX27 #11
	2	210804	"	"	"	"	---	"	" #24	"	"	"	"
	2	210805	"	"	"	"	---	"	"	"	"	"	"
	2	210806	"	"	"	"	---	"	"	"	"	"	"
	2	210806	"	"	"	"	---	"	"	"	"	"	"
512-E52-252 /463-W	2	210803	211927	211929	211930	210373	211557	202295	211844	210252	210724	211360	DCX27 #11
	2	211804	"	"	"	210503	"	"	" #42	"	"	"	"
	2	211805	"	"	"	210374	"	"	"	"	"	"	"
	2	211806	"	"	"	"	"	"	"	"	"	"	"
	2	211806	"	"	"	"	"	"	"	"	"	"	"
514-E52-252 /463-W	2	210803	211927	211929	211930	210373	211557	202295	211720	210252	210724	211360	DCX27 #11
	2	210804	"	"	"	210503	"	"	" #40	"	"	"	"
	2	210805	"	"	"	210374	"	"	"	"	"	"	"
	2	210806	"	"	"	"	"	"	"	"	"	"	"
	2	210806	"	"	"	"	"	"	"	"	"	"	"
504-E52-260 /303-W	5	211820	211827	211822	211825	---	---	202295	210365	210251	210255	211358	DCX27 #18
	6	211821	"	"	"	---	---	"	" #24	"	"	"	"
	8	211831	211832	211833	211835	---	---	211661	211719	210251	210255	211358	DCX27 #18
504-E52-350P1 504-E52-350P2 /253-W	5	210801	211887-BF	211890-BF	211894-TA	211874-TA	---	202295	210365	210251	210255	211358	DCX27 #11
	4	210809	211887-BF	211890-BF	211894-TA	211875-TA	---	202295	210365	210252	210724	211360	DCX27 #11

★ Lower looper is #211651.
Upper knife is #211662 (504-E52-261)
See page 171.

Lower looper (M-line machines) 212644

COMMON GAUGE PARTS
201121A Upper knife
210356 Lower looper
210584 Presser foot uncurler

E56 GAUGE PARTS LIST (1)

MACHINE TYPE /SPEC.	GAUGE ING SW	NEEDLE PLATE	MAIN FEED COMPLETE	DIFF. FEED DOG	PRESSER FOOT		LOWER KNIFE	UPPER LOOPER	NEEDLE (FRONT)	NEEDLE GUARD (REAR)	NEEDLE
					BODY	FINGER					
504-E56-110 /102-W	2	211279	211291	211285	211349	211350	202295	210358	210078	210081	154GAS #12
	3	211280	"	"	"	"	"	" #2	"	"	"
	4	211281	"	"	"	"	"	"	"	"	"
	2	211276	211292	211285	211349	211350	202295	210358	210078	210081	154GAS #12
504-E56-111 /102-W	3	211277	"	"	"	"	"	" #2	"	"	"
	4	211278	"	"	"	"	"	"	"	"	"
	1.5	210790	210696	210443	201230C	210373	202295	210360	210079	210082	154GDS #12
	3	210791	"	"	"	210503	"	" #6	"	"	"
514-E56-120 /243-N	2	210792	"	"	"	210373	"	"	210080	210083	"
	3	210793	"	"	"	210503	"	"	"	"	"
	2	210793	"	"	"	"	"	"	"	"	"
	2	210794	"	"	"	"	"	"	"	"	"
504-E56-121 /233-W	3	212241	212249	211974	211987	210370	202295	210359	210078	210081	154GAS #12
	4	212242	"	"	"	210371	"	" #4	"	"	"
	5	212243	"	"	"	"	"	"	"	"	"
	6	212244	"	"	"	210372	"	"	"	"	"
504-E56-121 /243-N	3	212245	212250	211974	211986	210370	202295	210359	210078	210081	154GAS #14
	4	212246	"	"	"	210371	"	" #4	"	"	"
	5	212247	"	"	"	"	"	"	"	"	"
	6	212248	"	"	"	210372	"	"	"	"	"

★ The presser foot uncurler is # 211600.

COMMON GAUGE PARTS

201121A Upper knife
210354 Lower looper
210584 Presser foot uncurler

E56 GAUGE PARTS LIST (2)

MACHINE TYPE /SPEC.	GAUGE NG SW	NEEDLE PLATE	MAIN FEED COMPLETE	DIFF. FEED DOG	PRESSER FOOT BODY	PRESSER FOOT		LOWER KNIFE	UPPER LOOPER	NEEDLE GUARD		NEEDLE
						FINGER	FAB. GRD			(FRONT)	(REAR)	
504-E56-130 /253-W	3	210799	210575	210445	205253	210370	201265B	201127	210359	210078	210081	154GAS #14
	4	210800	"	"	"	210371	"	202295	" #4	"	"	"
	5	210801	"	"	"	"	"	"	"	"	"	"
	6	210802	"	"	"	210372	"	"	"	"	"	"
504-E56-130 /263-N	3	210795	210574	210445	201230C	210370	201265B	201127	210359	210078	210081	154GAS #14
	4	210796	"	"	"	210371	"	202295	" #4	"	"	"
	5	210797	"	"	"	"	"	"	"	"	"	"
	6	210798	"	"	"	210372	"	"	"	"	"	"
512-E56-131 /253-W	2	210807	210575	210445	205253	210373	201265B	202295	210361	210080	210083	154GDS #12
	3	210808	"	"	"	210503	"	"	" #8	"	"	"
	4	210809	"	"	"	"	"	"	"	"	"	"
	2	210807	210575	210445	205253	210373	201265B	202295	210360	210080	210083	154GDS #12
514-E56-132 /263-W	2	210803	210574	210445	201230C	210373	201265B	202295	210360	210080	210083	154GDS #12
	3	210804	"	"	"	210503	"	"	" #6	"	"	"
	4	210805	"	"	"	"	"	"	"	"	"	"
	2	210803	210574	210445	201230C	210373	201265B	202295	210360	210080	210083	154GDS #12
504-E56-134 /233-W	3	210786	210697	210443	202799	210370	201265B	202295	210359	210078	210081	154GAS #12
	4	210787	"	"	"	210371	"	"	" #4	"	"	"
	5	210788	"	"	"	"	"	"	"	"	"	"
	6	210789	"	"	"	210372	"	"	"	"	"	"
504-E56-136 /253-W	3	211257	211263	210445	205252	210370	201265B	201127	210359	210078	210081	154GAS #12
	4	211258	"	"	"	210371	"	202295	" #4	"	"	"
	5	211259	"	"	"	"	"	"	"	"	"	"
	6	211260	"	"	"	210372	"	"	"	"	"	"

COMMON GAUGE PARTS
 201121A Upper knife
 210354 Lower looper
 210584 Presser foot uncurler

E56 GAUGE PARTS LIST (3)

MACHINE TYPE /SPEC.	GAUGE NG SW	NEEDLE PLATE	MAIN FEED COMPLETE	DIFF. FEED DOG	PRESSER BODY	PRESSER FOOT FINGER	FAB. GRD	LOWER KNIFE	UPPER LOOPER	NEEDLE (FRONT)	NEEDLE GUARD (REAR)	NEEDLE
505-E56-210 /223-N	2	210782	210569	210442	21152E	21155C		202295	210359	210078	210081	154GAS #12
	3	210783	"	"	"	"		"	" #4	"	"	
	4	210784	"	"	"	"		"	"	"	"	
	5	210785	"	"	"	"		"	"	"	"	
	2	210782	210569	210442	21152E	21155C		202295	210363	210078	210081	154GAS #12
503-E56-211 /223-N	3	210783	"	"	"	"		"	" #3	"	"	
	4	210784	"	"	"	"		"	"	"	"	
	5	210785	"	"	"	"		"	"	"	"	
	3	210786	210568	210443	202799	210370	201265B	202295	210363	210078	210081	154GAS #12
	4	210787	"	"	"	210371	"	"	" #3	"	"	
503-E56-220 /233-W	5	210788	"	"	"	"		"	"	"	"	
	6	210789	"	"	"	210372		"	"	"	"	
	5	211766	211773	-----	211769	211772	211770	211661	210363	210078	210081	154GAS #12
	6	211767	"	-----	"	"	"	"	" #3	"	"	
	5	301974	301723	210443	301724	210371	301725	202295	210363	210078	210081	154GAS #14
	5	301718	301719	301722	301724	210371	301725	202295	210363	210078	210081	154GAS #14
503-E56-230 /133-W	3	210760	210697	210443	202799	210761	201265B	210762	210362	210078	210081	154GAS #18
	3	210760	210697	210443	202799	210761	201265B	210762	210362	210078	210081	154GAS #18
	1.5	210934	211290	210442	201230C	205525	201265B	202295	210358	210078	210081	154GAS #12
504-E56-231 /123-N	1.5	210934	211290	210442	201230C	205525	201265B	202295	210363	210078	210081	154GAS #12
	1.5	211282	211286	211289	202786	205525	-----	201127	210358	210078	210081	154GAS #12
504-E56-232 /100-W	1.5	211282	211283	211285	202786	205525	-----	201127	210358	210078	210081	154GAS #12
	1.5	211282	211283	211285	202786	205525	-----	201127	210358	210078	210081	154GAS #12
505-E56-234 /204-N	3	212274	211602	211604	211606	212273	-----	202295	210359	210078	210081	154GAS #18
	4	211601	"	"	"	211607	-----	"	" #4	"	"	

COMMON GAUGE PARTS
 201121A Upper knife
 210354 Lower looper
 210584 Presser foot uncurler

★ For E56-232, the presser foot uncurler is not fitted.
 For E56-223, the presser foot uncurler is #211600.
 For E56-234, the presser foot uncurler is #211608.

E56 GAUGE PARTS LIST (4)

MACHINE TYPE /SPEC.	GAUGE NG SW	NEEDLE PLATE	MAIN FEED COMPLETE	DIFF. FEED DOG	PRESSER FOOT		LOWER KNIFE	UPPER LOOPER	NEEDLE GUARD		NEEDLE
					BODY	FINGER			(FRONT)	(REAR)	
504-E56-242 /253-W	3	210799	210996	210959	205135	---	201127	210359	210078	210081	154GAS #12
	4	210800	"	"	"	---	202295	" #4	"	"	
	5	210801	"	"	205136	---	"	"	"	"	
	6	210802	"	"	"	---	"	"	"	"	
	3	210795	210997	210997	210959	205135	---	201127	210359	210078	154GAS #12
	4	210796	"	"	"	"	---	202295	"	"	
512-E56-243 /253-W	5	210797	"	"	205136	---	"	"	"	"	
	6	210798	"	"	"	---	"	"	"	"	
	2	210807	210996	210996	205135	---	202295	210361	210080	210083	154GDS #12
	2	210808	"	"	205136	---	"	" #8	"	"	
	2	210809	"	"	"	---	"	"	"	"	
	2	210803	210997	210997	210959	205135	---	202295	210080	210083	154GDS #12
514-E56-243 /253-W	2	210804	"	"	205136	---	"	"	"	"	
	2	210805	"	"	"	---	"	"	"	"	
	2	210807	210996	210996	205135	---	202295	210360	210080	210083	154GDS #12
	2	210808	"	"	205136	---	"	" #6	"	"	
	2	210809	"	"	"	---	"	"	"	"	
	2	210803	210997	210997	210959	205135	---	202295	210080	210083	154GDS #12
514-E56-243 /263-W	2	210804	"	"	205136	---	"	"	"	"	
	2	210805	"	"	"	---	"	"	"	"	
	0.8	211551	211539	211542	211448	211557	202295	210358	210079	210082	154GFS #11
	0.8	211552	"	"	"	"	"	" #2	"	"	
	0.8	211553	"	"	"	"	"	"	"	"	
	1.2	211554	"	"	"	"	"	"	"	"	
505-E56-271 /100-N	1.6	211549	211539	211542	211448	211557	202295	210358	210078	210081	154GAS #11
	2.4	211550	"	"	"	"	"	" #2	"	"	
	0.8	211546	211535-BF	211538-BF	211631	211557	202295	210360	210079	210082	154GFS #11
	1.2	211547	"	"	"	"	"	"	"	"	
	1.2	211548	"	"	"	"	"	"	"	"	
	3.6	211548	"	"	"	"	"	"	"	"	

★ For these machines, the presser foot uncurler is #211600.
 For E56-270 and -272, the lower spreader is #211559.

COMMON GAUGE PARTS
 201121A Upper knife
 210354 Lower looper
 210584 Presser foot uncurler

NEEDLE SIZE AND UPPER LOOPER/SPREADER

Use Upper Loper/Spreader according to the needle size and stitch type as shown.

NEEDLE SIZE REFERENCE

E56

Stitch type	Needle size	Standard lift	Low lift
		Part No.	Part No.
503	9-18	210363 (#3)	210362 (#1)
504	"	210359 (#4)	210358 (#2)
505	"	"	"
512	"	210361 (#8)	————
514	9-12	210360 (#6)	210358 (#2)
	13-18	"	————
521	9-12	210360 (#6)	210358 (#2)
	13-18	"	————

Japan	U.S.A.	Germany
9	025	65
10	027	70
11	029	75
12	032	80
13		85
14	036	90
15		95
16	040	100
17	042	105
18	044	110
19	048	120
20	049	125
21		130

E32

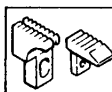
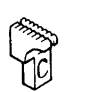

Stitch type	Needle size	Standard lift	High lift	Extra-high lift
		Part No.	Part No.	Part No.
515	9-12	210512 (#21)	210515 (#27)	211845 (#29)
	13-16	210513 (#23)	210514 (#25)	"
	17-21	————	210513 (#23)	"
516	9-12	210364 (#22)	210366 (#26)	211719 (#38)
	13-16	210365 (#24)	210367 (#28)	"
	17-21	————	210365 (#24)	"

E52

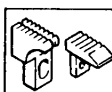
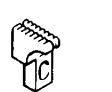

Stitch type	Needle size	Standard lift	High lift	Extra-high lift
		Part No.	Part No.	Part No.
503	9-12	210512 (#21)	210515 (#27)	————
	13-16	210513 (#23)	210514 (#25)	————
	17-21	————	210513 (#23)	————
504 505	9-12	210364 (#22)	210366 (#26)	211719 (#38)
	13-16	210365 (#24)	210367 (#28)	"
	17-21	————	210365 (#24)	"
512	9-12	————	211507 (#36)	211844 (#42)
	13-16	————	210368 (#34)	"
514 (NG=2mm)	9-12	————	210365 (#24)	211719 (#38) ←
	13-16	————	210729 (#30)	————
	17-21	————	————	————
514 (NG=2.5mm)	9-12	————	210729 (#30)	————
	13-16	————	210730 (#32)	————
	17-21	————	————	————

For woolen yarn.
211720 (#40)

COMPONENT PARTS LIST FOR MAIN FEED DOG COMPLETE

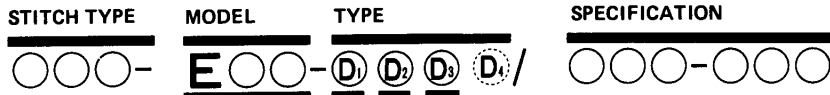
		mm		mm
210568	210694	1.6	210449	1.6
210569	210438	1.6	204674	1.6
210569-BF	210438-BF	1.6	204674	1.6
210570	210438	1.6	208095	1.6
210571	210695	2.5	210449	1.6
210572	210439	2.5	204674	1.6
210573	210439	2.5	208095	1.6
210574	210440	1.6	204674	1.6
210574-BF	210440-BF	1.6	204674	1.6
210575	210440	1.6	208095	1.6
210576	210441	2.5	204674	1.6
210576-BF	210441-BF	2.5	204674	1.6
210577	210441	2.5	208095	1.6
210578	210486	1.0	204425	1.0
210579	210487	1.6	208060	1.6
210580	210488	1.0	210522	1.0
210581	210489	1.6	210502	1.6
210581-SH	210489-SH	1.6	210502	1.6
210582	210490	2.5	210502	1.6
210696	210694	1.6	204674	1.6
210696-BF	210694-BF	1.6	204674	1.6
210697	210694	1.6	208095	1.6
210697-BF	210694-BF	1.6	208095	1.6
210698	210695	2.5	204674	1.6
210699	210695	2.5	208095	1.6
210892	210887	1.25	210919	1.25
210893	210888	1.25	210891	1.25
210996	210958	1.6	208095	1.6
210997	210958	1.6	204674	1.6
211000	211006	1.6	210502	1.6
211001	211007	2.5	210502	1.6
211002	211008	1.6	210502	1.6
211003	210956	1.6	210502	1.6
211004	211009	2.5	210502	1.6
211005	211010	2.5	210502	1.6
211263	211261	1.6	208095	1.6
211263-BF	211261-BF	1.6	208095	1.6
211283	211284	1.25	211288	1.0
211286	211287	---	211288	1.0
211290	210438	1.6	208912	1.6
211290-BF	210438-BF	1.6	208912	1.6
211291	211284	1.25	211293	1.25
211291-BF	211284-BF	1.25	211293	1.25
211292	211284	1.25	204674	1.6
211292-BF	211284-BF	1.25	204674	1.6
211425	210694	1.6	211426	1.6
211535	211536	1.25	211537	1.25
211535-BF	211536-BF	1.25	211537	1.25
211539	211540	---	211541	---

Screw 5492

		mm		mm
211602	211603	2.0	211605	1.6
211887-BF	211888-BF	1.6	211889-BF	1.6
211927	211928	1.6	204674	1.6
211927-BF	211928-BF	1.6	204674	1.6
211968-BF	211970-BF	1.6	211972	1.6
211969-BF	211971-BF	1.6	211972	1.6
212065	212066	1.6	212067	1.6
212095-BF	210440-BF	1.6	212096-BF	1.6
212249	212251	1.6	208095	1.6
212249-BF	212251-BF	1.6	208095	1.6
212250	212251	1.6	204674	1.6
212250-BF	212251-BF	1.6	204674	1.6
212272	211284	1.25	212264	1.6
301379	210440	1.6	204677	1.6
301379-BF	210440-BF	1.6	204677	1.6
301719	301720	1.6	301721	1.6

Screw 549L

E SERIES MACHINE CLASSIFICATION



Machine model	
E32	Ultra-high speed, straight needle, safety stitch machine.
E52	Ultra-high speed, straight needle overedger.
E56	Ultra-high speed, curved needle overedger.

Seam type	
Code No.	Meaning
1	Plain seaming of E52 and E56
2	Other than plain seaming of E52 and E56.
4	Plain seaming of E32.
5	Other than plain seaming of E32.

Material thickness if D1 shows 'plain seaming'.	
Code No.	Meaning (examples)
1	Fine (panty-hose, P.P. shirt, blouse, handkerchief, etc.)
2 and 3	Light to medium (knit underwear, knit dress shirt, swim suit/trunks, sport shirts, etc.)
4	Heavy (sweater, double knit slacks, blanket, working wear, etc.)
5	Extra heavy (jeans, bulky sweaters, quilted coat, etc.)

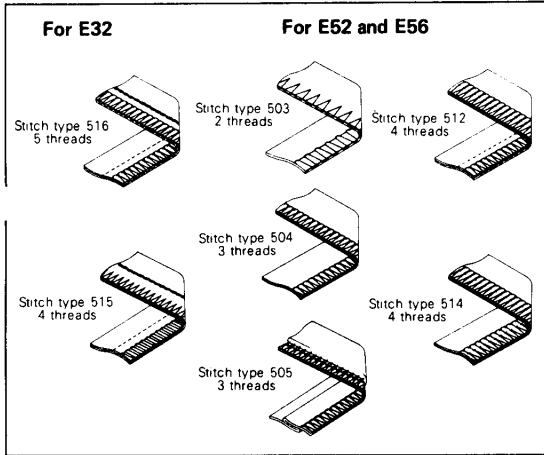
Type of operation if D1 shows 'other than plain seaming'.	
Code No.	Meaning
1	Blindstitch hemming
2	Serging
3	Turn up/down hemming. Roll up/down hemming.
4	Shirring.
5	Attaching tape.
6	Attaching zipper.
7	Toe closing.
8	
9	Miscellaneous.

Sequence code

Sequence numbers are used here as new machine becomes available.
Example

Plain seaming on light to medium weight material

130
131
132
133



D₁ denotes the special specifications of sewing within the same machine type. Case by case. **D₄** is assigned.

E52-250C E52-210C	C indicates diff. feed ratio 1:3.
E32-...P1 E52-...P2	P1 machines do not have the piping binder. P2 machines have the piping binder.
E32-410A E32-410B E32-420A E32-420B	Keen curved seaming available. A is the machine with the ordinary presser arm. B is the machine with the floating presser arm.



Sewing capacity

Sewing capacity means 'Sewing gauge' x 'Foot lift capacity'.

Code No.	Meaning
1	4x3mm (low lift)
2	5x5mm (standard lift)
3	6x6mm (high lift)
4	7x7mm (extra high lift)

Needle plate type

The needle plate type is coded by the number and the width of feed rows, and the chaining-land.

Chaining-land; No

Code No.	Meaning	
	No. of rows	★
0	1-row or plain feed	—
1	2N (2-row Narrow)	Yes
2	2N (2-row Narrow)	No
3	2W (2-row Wide)	Yes
4	2W (2-row Wide)	No
5	3N (3-row Narrow)	Yes
6	3N (3-row Narrow)	No
7	3W (3-row Wide)	Yes
8	3W (3-row Wide)	No
9	Special	—

Feed dog tooth pitch

Feed dog tooth pitch

Code No.	Meaning
0	Rubber coated or special
1	1.0mm tooth pitch
2	1.25mm tooth pitch
3	1.6mm tooth pitch
4	2.0mm tooth pitch
5	2.5mm tooth pitch
6	3.0mm tooth pitch

Sewing gauge

The sewing gauge is "the seam width" for 1-needle machine, and "the needle gauge x the seam width" for 2-needle machine.

A: Seam width
B: Needle gauge

Note: In case of E52 and E56, the type of Cloth Plate is also shown here. N: Narrow cloth plate W: Wide cloth plate

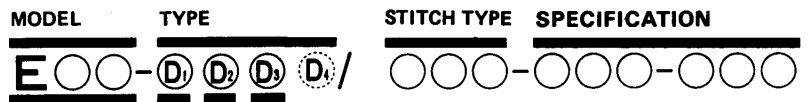
Example 353-W3
3mm seam width
Wide cloth plate

EXAMPLE

515-E32-430-233-3X3

515: Sewing gauge is 3x3mm.
E32: Tooth pitch is 1.6mm.
430: Needle plate type is 2-row wide with chaining-land.
233: Standard lift. (Sewing capacity is standard.)
3X3: Plain seaming on medium heavy materials. Machine model is E32.
Stitch type 515.

E SERIES MACHINE CLASSIFICATION



Machine model	
E32	Ultra-high speed, straight needle, safety stitch machine.
E52	Ultra-high speed, straight needle overedger.
E56	Ultra-high speed, curved needle overedger.

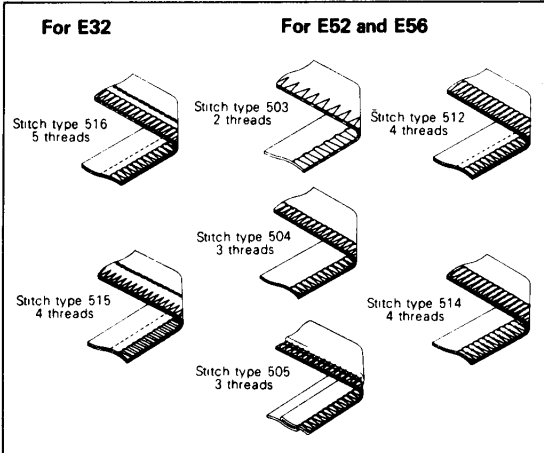
Seam type	
Code No.	Meaning
1	Plain seaming of E52 and E56
2	Other than plain seaming of E52 and E56.
4	Plain seaming of E32.
5	Other than plain seaming of E32.

Material thickness if D1 shows 'plain seaming'.	
Code No.	Meaning (examples)
1	Fine (panty-hose, P.P. shirt, blouse, handkerchief, etc.)
2 and 3	Light to medium (knit underwear, knit dress shirt, swim suit/trunks, sport shirts, etc.)
4	Heavy (sweater, double knit slacks, blanket, working wear, etc.)
5	Extra heavy (jeans, bulky sweaters, quilted coat, etc.)

Type of operation if D1 shows 'other than plain seaming'.	
Code No.	Meaning
1	Blindstitch hemming
2	Serging
3	Turn up/down hemming. Roll up/down hemming.
4	Shirring.
5	Attaching tape.
6	Attaching zipper.
7	Toe closing.
8	
9	Miscellaneous.

Sequence code

Sequence numbers are used here as new machine becomes available.
Example
Plain seaming on light to medium weight material



D₄ denotes the special specifications of sewing within the same machine type. Case by case, **D₄** is assigned.

E52-250C E52-210C	C indicates diff. feed ratio 1:3.
E32-...P1 E52-...P2	Piping machine. P1 machines do not have the piping binder. P2 machines have the piping binder.
E32-410A E32-410B E32-420A E32-420B	Keen curved seaming available. A is the machine with the ordinary presser arm. B is the machine with the floating presser arm.



Sewing capacity	
Sewing capacity means 'Sewing gauge' x 'Foot lift capacity'.	
Code No.	Meaning
1	4x3mm (low lift)
2	5x5mm (standard lift)
3	6x6mm (high lift)
4	7x7mm (extra high lift)

Needle plate type		
The needle plate type is coded by the number and the width of feed rows, and the chaining-land.		
Chaining-land; No		
Chaining-land; Yes		
Code No.	Meaning	
	No. of rows	★
0	1-row or plain feed	—
1	2N (2-row Narrow)	Yes
2	2N (2-row Narrow)	No
3	2W (2-row Wide)	Yes
4	2W (2-row Wide)	No
5	3N (3-row Narrow)	Yes
6	3N (3-row Narrow)	No
7	3W (3-row Wide)	Yes
8	3W (3-row Wide)	No
9	Special	—

Feed dog tooth pitch	
Feed dog tooth pitch	
Code No.	Meaning
0	Rubber coated or special
1	1.0mm tooth pitch
2	1.25mm tooth pitch
3	1.6mm tooth pitch
4	2.0mm tooth pitch
5	2.5mm tooth pitch
6	3.0mm tooth pitch

Sewing gauge	
The sewing gauge is "the seam width" for 1-needle machine, and "the needle gauge x the seam width" for 2-needle machine.	
A: Seam width B: Needle gauge	
Note: In case of E52 and E56, the type of Cloth Plate is also shown here. N: Narrow cloth plate W: Wide cloth plate	
Example 353-W3 → 3mm seam width → Wide cloth plate	

EXAMPLE

E32-430.516-233-3x3

Machine model is E32.
Plain seaming on medium heavy materials.
Standard lift. (Sewing capacity is standard.)
Stitch type 515.
Needle plate type is 2-row wide with chaining-land.
Tooth pitch is 1.6mm.
Sewing gauge is 3x3mm.

PART NO.	PAGE	REF.	PART NO.	PAGE	REF.	PART NO.	PAGE	REF.	PART NO.	PAGE	REF.	PART NO.	PAGE	REF.
123	77	26	410	59	19	1998-2	21	7	4803	73	25	5117	13	16
127	77	13	413	49	26	2022-4	23	34	4805	53	14	5117	13	20
128	77	14	413	49	35	2133-1	11	8	4818	49	23	5117	15	14
131	77	18	413	49	48	2133-1	31	17	4818	57	15	5117	15	18
132	77	3	413	57	18	2133-1	35	14	4818	59	18	5117	15	20
135A	77	4	413	59	21	2193	19	39	4904	75	12	5117	17	16
152	77	16	413	59	37	2193	23	42	4905	75	16	5117	17	18
153	77	17	467	53	18	2193	29	5	4908	49	25	5117	17	20
178	77	5	468	53	20	2193	33	32	4908	57	17	5117	29	38
179	77	15	905	77	1	2193	37	45	4908	57	20	5117	29	44
189	53	12	1174	5	18	2193	47	6	4911	53	10	5117	33	35
200	77	12	1174	63	4	2193	59	4	4913	73	34	5117	35	23
233-FA	73	20	1174	63	14	2193	59	30	5002	13	35	5117	39	10
245	77	20	1175-2	23	51	2193	65	4	5002	41	19	5117	39	56
272	77	11	1175-2	25	5	2285	35	2	5003	37	33	5118	29	52
282	77	6	1175-2	31	29	2430	55	9	5003	37	37	5118	39	17
283	77	7	1175-2	31	41	2430	55	32	5010	7	27	5118	43	12
284	77	8	1175-3	7	19	2902	19	46	5012	5	13	5118	47	21
285	77	9	1175-3	13	18	2902	23	55	5012	7	59	5118	47	53
293	73	23	1175-3	15	16	2902	31	48	5012	21	30	5133	39	58
322	77	10	1175-3	15	47	2902	33	6	5022	11	15	5138B	39	52
326	77	2	1175-3	17	57	2905	5	31	5029	9	6	5142	47	17
337	53	8	1186	67	20	2905	7	31	5029	9	8	5143A	53	34
338	53	15	1196	17	32	2905	7	36	5029	35	32	5157	37	15
339	53	16	1196	59	3	2905	7	53	5029	47	35	5157	55	8
339	53	21	1196	59	29	2905	17	14	5029	47	44	5157	55	31
340	53	17	1196	65	3	2905	19	13	5030	37	9	5157	65	29
341	53	11	1202	7	47	2905	19	18	5030	37	26	5163	3	9
343	53	19	1202	15	49	2905	29	48	5050	9	33	5184	43	4
344	53	9	1202	41	4	2905	39	50	5053	7	57	5198	7	4
369-FD	73		1202	41	9	2905	53	7	5053	43	8	5205	31	46
370-FD	73		1202	43	18	2905	55	10	5057	55	6	5210	49	10
371-FD	73		1202	49	13	2905	55	33	5057	55	29	5210	49	29
372-FD	73		1202	49	32	2906	43	11	5059	11	30	5210	49	42
373-FD	73	4	1202	49	45	2913-1	3	23	5060	7	6	5223	37	6
374-FD	73	6	1206	17	59	2918	7	23	5060	11	38	5231	31	39
375	73	27	1206	47	27	2921	19	20	5060	17	37	5232	35	42
375-FD	73	5	1206	47	29	2921	19	23	5060	31	4	5276	35	9
376	73	32	1206	55	13	2921	35	21	5060	33	22	5282	21	25
377-FD	73	26	1206	55	36	2921	37	11	5060	39	4	5284	21	2
378-FD	73	28	1216	7	16	2921	37	28	5077	27	37	5292	7	14
379-FD	73	29	1216	7	51	2921	37	49	5077	49	8	5292	7	43
380	73	9	1216	27	35	2921	49	6	5078	3	3	5292	11	19
381-FA	73	12	1216	53	4	2921	51	4	5082A	13	8	5292	11	25
382-FA	73	13	1227	65	33	2921	51	7	5082A	15	8	5292	13	27
383-FA	73	14	1227	67	22	2922	25	7	5082A	17	8	5292	13	29
384	73	17	1229	13	23	2922	37	35	5082A	19	8	5292	15	29
385-FD	73	1	1229	15	23	2922	63	36	5082A	23	8	5292	15	31
386	73	36	1229	69	29	3044	5	17	5082A	47	49	5292	21	10
387-FD	73	3	1229	71	41	3044	17	29	5082A	53	31	5292	21	32
388-FD	73	2	1231	19	29	3044	27	11	5082A	61	29	5292	27	30
392	77	19	1231	23	29	3044	43	6	5082A	67	8	5292	29	19
403	49	15	1231	37	24	3044	53	35	5082A	69	24	5292	29	59
403	49	34	1234	27	41	3091	5	19	5082A	71	12	5292	35	12
403	49	47	1234	47	19	3091	7	28	5082A	71	34	5292	35	19
403	57	7	1234	47	56	3091	37	41	5084	25	14	5292	47	41
403	57	29	1333	55	39	4009-1	5	5	5084	25	25	5292	77	24
403	57	30	1333	57	3	4009-1	7	8	5084	27	14	5299	55	21
403	59	10	1333	57	25	4009-1	21	19	5084	27	17	5304	11	21
403	59	36	1333	61	15	4009-1	23	24	5084	29	34	5316	29	26
404	49	17	1333	63	38	4009-1	27	44	5084	31	19	5316	47	10
404	57	9	1333	69	7	4009-1	31	15	5088	33	8	5316	47	15
404	59	12	1333	69	28	4009-1	33	26	5088	43	16	5317	31	22
405	49	21	1333	71	4	4009-1	35	25	5088	55	3	5328	7	55
405	57	13	1333	71	21	4012	49	18	5088	55	26	5328	9	11
405	59	16	1333	71	26	4012	57	10	5089	37	20	5328	13	33
406	49	16	1435	5	26	4012	59	13	5091	29	56	5328	15	35
406	57	8	1435	47	40	4012	73	18	5091	41	17	5328	17	50
406	59	11	1448	9	4	4012	73	21	5094	33	29	5328	25	13
407	49	19	1457	11	10	4012	73	24	5094	47	12	5328	37	7
407	57	11	1457-1	47	34	4013	73	7	5095	7	2	5328	37	18
407	59	14	1458	39	8	4013	73	30	5095	39	11	5328	47	31
408	49	20	1458	39	25	4014	73	15	5095	39	23	5328	49	5
408	57	12	1459	5	27	4513	75	5	5104	47	25	5328	51	2
408	59	15	1459	9	3	4750	73	8	5104	47	38	5332	3	24
409	49	22	1459	13	51	4750	73	31	5117	7	10	5336	51	16
409	57	14	1459	15	45	4803	73	11	5117	7	25	5336	63	19
409	59	17	1459	17	55	4803	73	16	5117	7	34	5336	65	12
410	49	24	1732	29	46	4803	73	19	5117	9	28	5346	31	12
410	57	16	1817-2A	59	46	4803	73	22	5117	13	14	5346	31	51

PART NO.	PAGE	REF.	PART NO.	PAGE	REF.	PART NO.	PAGE	REF.	PART NO.	PAGE	REF.	
5353	25	26	5519	23	13	201121A	154		202295	153	204683	149
5357	3	7	5519	23	18	201121A	155		202295	154	204737	9 10
5357	13	46	5519	23	21	201121A	156		202295	155	204754	29 33
5357	15	40	5522	9	35	201121A	157		202295	156	204756	29 35
5357	17	48	5523	9	32	201121A	158		202295	157	204757	29 36
5376	11	34	5526	27	7	201121A	159		202295	158	204789	9 17
5376	17	40	5538	37	40	201121A	160		202295	159	204789	23 35
5376	19	26	5539	37	42	201127	152		202295	160	204828	3 26
5376	23	26	5546	19	31	201127	153		202340	33 33	204828	3 27
5376	33	14	5546	23	31	201127	154		202433	27 27	204873	9 13
5408	21	24	5554	35	40	201127	155		202451	35 20	204881	9 9
5409	37	3	5590	31	34	201127	158		202476-1	41 5	204888	47 24
5409	37	43	5598	7	12	201127	159		202476-3	41 7	205015	27 23
5426	35	10	5600	61	21	201127	160		202476-4	41 6	205088	27 19
5427	29	18	9029	75	2	201152E	154		202516-HD	7 21	205135	155
5434	3	22	9106	75	13	201152E	159		202522	29 27	205135	160
5437	29	12	137108	27	9	201155C	154		202526	3 36	205136	155
5441	23	16	137142	47	13	201155C	159		202527A	148	205136	160
5453	27	39	137142	55	11	201156	37	19	202577	11 23	205252	153
5453	63	2	137142	55	34	201185	29	49	202588	49 27	205252	158
5453	63	12	137906	5	9	201185	33	28	202588	49 49	205253	152
5455	27	28	137906	7	29	201185	37	46	202588	59 6	205253	158
5455	31	9	137906	7	46	201185	59	5	202588	59 32	205361	55 5
5457	11	32	137906	27	42	201185	59	31	202645	35 29	205418	31 20
5457	17	42	137906	47	57	201185	65	5	202645	35 34	205456	55 18
5457	19	34	137906	63	5	201191	29	50	202786	159	205457	55 15
5457	23	37	137906	63	15	201191	43	5	202799	153	205466	75 1
5457	25	9	167066	43	17	201211B	55	14	202799	154	205467	75 9
5457	27	21	167066	43	19	201230C	152		202799	158	205468	75 14
5457	29	24	167066	49	14	201230C	153		202799	159	205469	75 15
5457	29	29	167066	49	33	201230C	154		202849	13 11	205470	75 11
5457	31	6	167066	49	46	201230C	157		202849	15 11	205473	75 3
5457	31	11	167066	55	4	201230C	158		202849	17 11	205525	154
5457	33	18	167066	55	27	201230C	159		202849	19 9	205525	159
5457	35	7	167079	61	33	201233A	43	21	202849	23 9	205635	39 24
5458	3	17	192130	5	15	201239A	17	28	202859	23 20	205678	55 16
5458	5	33	198192	3	14	201252	73	10	202860	19 22	205679	55 17
5458	7	49	200098	47	7	201265B	152		202875	5 12	205688	7 26
5458	27	2	200136	39	18	201265B	153		202875	19 16	205722	7 17
5459	3	33	200136	39	26	201265B	154		202875	19 21	205737	17 33
5459	27	6	200136	39	30	201265B	157		202875	19 24	205763	39 29
5459	41	10	200144	39	33	201265B	158		202875	23 14	205764	75 7
5459	41	26	200152	39	19	201265B	159		202875	23 19	205765	75 8
5461	9	22	200152	39	27	201293A	39	9	202875	23 22	205834	55 20
5461	11	36	200152	39	31	201295	39	6	202875	37 16	205835	55 19
5461	25	21	200152	39	34	201395	35	30	202875	49 7	206115	27 4
5461	29	7	200555	7	42	201439A	19	10	204006	3 39	206128	31 43
5461	29	21	201002	3	11	201439A	23	10	204010	9 16	206129	31 44
5461	33	20	201002	3	25	201635	11	37	204052A	29 32	206180	17 43
5476	73	35	201031A	17	25	201635	17	36	204084	29 14	206180	33 12
5480	5	29	201037	13	4	201635	31	3	204091	47 48	206180	49 39
5481	35	4	201037	15	4	201635	33	21	204107	23 41	206180	53 41
5482	3	18	201037	17	4	202045	39	59	204107	53 23	206180	57 22
5483	5	16	201037	53	27	202058	5	6	204114	31 37	206180	59 26
5484-HC	13	31	201037	67	10	202058	61	20	204115	31 26	206180	61 4
5484-HC	15	33	201037	67	16	202174	3	15	204128A	31 18	206180	61 9
5484-HC	17	46	201056	11	9	202174	11	26	204129A	31 16	206180	61 14
5485	11	3	201056	27	13	202174	21	16	204146	11 35	206180	63 10
5485	17	23	201068	19	4	202175	11	12	204184	39 7	206180	63 22
5486	29	40	201068	67	4	202175	11	20	204185	29 3	206225	47 33
5487	23	49	201068	67	14	202175	21	11	204185	39 12	206233	39 13
5487	25	2	201086	13	10	202175	21	27	204270	41 11	206233	77 21
5488	5	23	201086	15	10	202176	11	24	204270	41 22	206336	75 6
5489	31	27	201086	17	10	202176	25	15	204274	21 12	206337	75 10
5492	13	37	201086	23	4	202199	39	20	204274	21 13	206337	75 17
5492	13	39	201086	53	33	202199	39	28	204293	9 34	206431	39 16
5492	13	41	201086	59	42	202199	39	35	204293	25 3	207924	35 43
5492	31	33	201086	61	25	202199	41	21	204293	25 10	208009	7 41
5494	27	32	201086	67	12	202273	17	27	204319	9 12	208028	25 23
5495	27	25	201086	67	18	202286	19	32	204439A	31 21	208029	25 24
5497	9	14	201086	69	20	202286	19	40	204460	150	208168	31 49
5501	13	43	201086	71	30	202286	23	32	204466	41 23	208173	3 28
5501	13	48	201089	23	17	202286	23	43	204502A	150	208173	21 33
5501	15	37	201089	61	32	202286	43	13	204505A	150	208194	25 11
5501	15	42	201121A	148		202287A	39	53	204520	9 15	208195	25 12
5501	17	52	201121A	149		202295	148		204657	19 11	208196	25 16
5504	65	36	201121A	150		202295	149		204657	21 31	208235	51 30
5504	67	25	201121A	151		202295	150		204657	23 11	208235	63 33
5513	47	23	201121A	152		202295	151		204667	43 20	208235	65 25
5519	19	15	201121A	153		202295	152		204683	37 14	208245	5 25

PART NO.	PAGE	REF.	PART NO.	PAGE	REF.	PART NO.	PAGE	REF.	PART NO.	PAGE	REF.	PART NO.	PAGE	REF.
208245	31	38	208687	39	5	210069	33	10	210141	29	23	210231	61	1
208411	29	8	208730	156		210070	17	21	210143	31	13	210232	65	6
208415	29	9	208731	156		210071	17	22	210144	31	5	210233	11	16
208447	13	2	208732	156		210078	157		210145	31	7	210233	11	39
208447	15	2	208735	63	37	210078	158		210146	31	8	210234	11	28
208447	17	2	208747	7	18	210078	159		210147	31	24	210235	11	11
208447	19	2	208774	35	28	210078	160		210148	31	25	210236	11	14
208447	23	2	208782	155		210079	157		210152	31	10	210237	11	18
208447	47	45	208913	37	4	210079	160		210153	31	36	210238	11	13
208447	53	25	208953	67	19	210080	157		210154	31	23	210239	11	1
208447	59	40	208953	69	4	210080	158		210155	31	35	210240	11	2
208447	61	23	208953	69	14	210080	160		210156	31	42	210241	11	4
208447	67	2	208953	71	42	210081	157		210157	31	45	210242	11	7
208447	69	18	208955	149		210081	158		210158	31	47	210243	11	17
208447	71	6	208958	37	13	210081	159		210159	31	52	210244	11	22
208447	71	28	208960	51	13	210081	160		210160	31	50	210251	152	
208448	13	3	208994	53	1	210082	157		210161	29	25	210251	153	
208448	15	3	208997	53	3	210082	160		210162	29	28	210251	154	
208448	17	3	208998	151		210083	157		210163	29	30	210251	155	
208448	19	3	209084	3	31	210083	158		210164	29	31	210251	156	
208448	23	3	209200	53	2	210083	160		210166	29	37	210252	152	
208448	47	46	209202	151		210084	15	46	210167	29	39	210252	153	
208448	53	26	209204	151		210084	17	56	210168	29	42	210252	155	
208448	59	41	209255	151		210085	17	31	210170	29	43	210252	156	
208448	61	24	209314	37	48	210086	17	19	210171	29	47	210253	153	
208448	67	3	210001-HD	3	2	210087	17	15	210172	29	54	210254	153	
208448	69	19	210002	3	4	210088	17	17	210173	33	13	210260	13	22
208448	71	7	210003	3	29	210089	17	13	210174	33	17	210260	15	22
208448	71	29	210005	3	32	210090	13	12	210175	33	19	210264	13	13
208449	13	7	210006	5	28	210090	15	12	210176	33	2	210264	15	13
208449	15	7	210007	5	30	210090	17	12	210178	33	5	210267	49	3
208449	17	7	210008	3	16	210090	71	13	210179	33	25	210267	49	38
208449	19	7	210009	3	19	210091	19	25	210180	33	27	210267	51	11
208449	23	7	210010	3	35	210091	23	25	210183	33	34	210267	51	18
208449	53	30	210020	5	14	210092	19	30	210184	33	31	210267	53	40
208449	59	45	210021	5	22	210092	23	30	210188	39	2	210267	57	21
208449	61	28	210022	5	8	210093	19	27	210190	39	39	210267	59	25
208449	67	7	210022	5	20	210093	23	27	210191	39	46	210267	61	3
208449	69	23	210023	5	24	210098	19	36	210192	39	47	210267	61	8
208449	71	11	210024	5	11	210099	19	37	210193	39	45	210267	61	13
208449	71	33	210025	5	7	210100	19	38	210194	39	48	210267	63	9
208450	13	5	210025	5	21	210100	31	14	210198	39	37	210267	63	21
208450	15	5	210026-FB	5	4	210101	19	42	210199	39	38	210267	65	8
208450	17	5	210027-FB	5	2	210102	19	41	210200	39	14	210267	65	14
208450	19	5	210028-FD	7	9	210102	31	2	210201-FD	39	15	210268	33	16
208450	23	5	210029-HB	7	20	210103	19	43	210202	39	41	210269	33	1
208450	53	28	210030	7	22	210104	21	1	210204	39	44	210270	7	37
208450	59	43	210031	7	24	210105	21	9	210205	39	43	210272	148	
208450	61	26	210032	7	32	210106	21	4	210207	39	22	210272	149	
208450	67	5	210033	7	33	210107	21	5	210208	39	36	210272	150	
208450	69	21	210034-HD	7	1	210107	51	22	210211	39	51	210273	148	
208450	71	9	210035	7	3	210107	63	26	210212	39	57	210273	149	
208450	71	31	210036	7	5	210107	65	18	210213	41	15	210273	150	
208500	148		210037	7	7	210108	21	22	210214	41	2	210273	151	
208500	149		210041	7	39	210109	21	23	210214	41	16	210274	149	
208501	148		210042	7	40	210110	21	14	210215	41	18	210274	150	
208501	149		210043	7	44	210111	21	15	210218-HD	3	1	210274	151	
208502	149		210044	7	52	210112	21	17	210219-HD	3	8	210275	13	40
208503	148		210045	7	50	210113	21	18	210220	3	10	210275	148	
208504	148		210046	7	48	210114	21	28	210221	7	35	210275	149	
208507	150		210047	7	45	210115	21	29	210223	7	15	210275	150	
208508	150		210048	9	2	210117	5	32	210224	7	30	210275	151	
208508	151		210055	9	29	210118	21	26	210225	7	38	210276	13	38
208509	150		210056	9	25	210122	23	38	210228	9	1	210276	149	
208509	151		210057	9	26	210123	23	40	210228-PA	51	8	210277	13	34
208525	37	17	210057	11	6	210124	23	45	210228-PB	51	12	210278	13	32
208527	37	5	210058	9	30	210125	23	44	210228-PB	51	27	210278	148	
208528	37	2	210062	9	5	210126	23	48	210228-PB	63	32	210278	149	
208531	37	8	210063	17	39	210127	29	15	210228-PB	65	24	210278	150	
208531	148		210064	17	41	210128	29	22	210229	11	33	210278	151	
208531	149		210065	69	2	210128	71	2	210230	11	31	210279	13	36
208531	151		210065	69	9	210128	71	19	210230	61	6	210279	148	
208532	150		210065	69	12	210128	71	24	210230	61	11	210279	149	
208532	151		210066	17	38	210129	29	16	210230	63	7	210279	150	
208537	35	26	210067	17	44	210130	29	17	210231	49	1	210279	151	
208554	49	4	210067	33	23	210136	29	6	210231	49	36	210281	23	39
208579	33	3	210068	17	35	210137	29	1	210231	51	9	210282	29	20
208598	35	33	210068	33	11	210138	29	4	210231	53	38	210283	27	24
208599	35	31	210069	11	27	210139	29	2	210231	57	19	210284	27	22
208649	151		210069	17	34	210140	29	13	210231	59	23	210285	27	26

PART NO.	PAGE REF.	PART NO.	PAGE REF.	PART NO.	PAGE REF.	PART NO.	PAGE REF.	PART NO.	PAGE REF.
210287	27 20	210356	155	210443	157	210575	152	210731	61 7
210288	25 20	210356	156	210445	152	210575	153	210731	61 12
210289	25 22	210357	25 4	210445	158	210575	158	210731	63 8
210290	27 12	210357	148	210445	152	210575	152	210731	63 20
210291	27 15	210357	149	210445	153	210575	158	210731	65 7
210292	27 18	210357	150	210445	156	210576	154	210731	65 13
210293	27 16	210357	151	210445	158	210576	153	210732	69 3
210294	25 8	210357-	149	210446	154	210576	154	210732	69 10
210296	25 17	210358	157	210447	153	210578	148	210732	69 13
210297	25 18	210358	159	210448	153	210579	148	210733	19 33
210298	25 1	210358	160	210448	154	210579	151	210734	23 36
210299	25 6	210359	157	210491	148	210581	149	210736	23 33
210300	27 29	210359	158	210492	148	210581	151	210744	39 32
210302	27 34	210359	159	210492	151	210581-SH	149	210748	21 3
210303	27 36	210359	160	210494	149	210582	149	210749	13 21
210304	27 31	210360	157	210494	151	210583	3 34	210749	15 21
210306	27 40	210360	158	210494-SH	149	210584	152	210749	61 19
210307	27 33	210360	160	210495	149	210584	153	210750	13 24
210307	35 41	210361	158	210498	149	210584	154	210750	15 24
210308	27 38	210361	160	210501	149	210584	155	210751	13 25
210309	27 1	210362	159	210503	152	210584	156	210751	15 25
210310	27 3	210363	159	210503	153	210584	157	210753	69 1
210311	27 43	210364	148	210503	156	210584	158	210753	69 8
210313	13 19	210364	150	210503	157	210584	159	210753	69 11
210314	33 15	210364	151	210503	158	210584	160	210756	65 35
210315	33 4	210364	152	210510	39 49	210585	19 28	210756	67 24
210316	33 24	210364	153	210511	11 29	210585	23 28	210758	65 37
210317	41 14	210364	154	210512	148	210585	55 38	210758	67 26
210319	13 6	210364	155	210512	149	210586	23 46	210759	65 38
210319	15 6	210365	149	210512	150	210586	25 19	210759	67 27
210319	17 6	210365	150	210512	154	210679	3 38	210760	154
210319	19 6	210365	151	210513	149	210680	43 2	210760	159
210319	23 6	210365	152	210513	150	210681	43 3	210761	154
210319	53 29	210365	153	210513	154	210682	43 7	210761	159
210319	59 44	210365	154	210514	150	210683	43 9	210762	154
210319	61 27	210365	155	210514	151	210684	43 10	210762	159
210319	67 6	210365	156	210514	154	210685	43 1	210766	41 24
210319	69 22	210366	154	210515	154	210686	43 14	210782	154
210319	71 10	210367	150	210515	17 30	210687	43 15	210782	159
210319	71 32	210367	151	210516	157	210689	55 7	210783	154
210321	35 16	210367	154	210516	158	210689	55 30	210783	159
210322	35 17	210368	152	210516	160	210690	55 2	210784	154
210323	35 18	210368	153	210517	35 22	210690	55 25	210784	159
210324	35 37	210370	152	210520	39 54	210691	55 1	210785	154
210325	35 24	210370	153	210521	39 55	210692	55 12	210785	159
210326	35 15	210370	154	210523	75 4	210696	157	210786	153
210328	35 38	210370	157	210525	3 6	210697	153	210786	154
210329	35 6	210370	158	210528	3 13	210697	154	210786	158
210330	35 8	210370	159	210529	13 1	210697	158	210786	159
210335	35 5	210371	149	210529	15 1	210697	159	210787	153
210336	35 35	210371	152	210529	17 1	210700	29 45	210787	154
210337	35 27	210371	153	210529	53 24	210701	39 21	210787	158
210337	35 36	210371	154	210529	67 9	210721	21 20	210787	159
210338	35 39	210371	157	210529	67 15	210722	13 15	210788	153
210340	37 27	210371	158	210530	13 9	210722	61 17	210788	154
210341	37 10	210371	159	210530	15 9	210724	13 42	210788	158
210343	31 28	210372	149	210530	17 9	210724	15 36	210788	159
210344	19 17	210372	152	210530	23 1	210724	148	210789	153
210345	19 19	210372	153	210530	61 22	210724	149	210789	154
210346	19 45	210372	154	210530	67 1	210724	150	210789	158
210347	23 23	210372	157	210530	67 11	210724	151	210789	159
210348	23 54	210372	158	210530	67 13	210724	152	210790	157
210349	19 12	210372	159	210530	67 17	210724	153	210791	157
210350	19 14	210373	152	210530	69 17	210724	154	210792	157
210351	19 44	210373	153	210530	71 27	210724	155	210793	157
210351	51 26	210373	156	210531	19 1	210724	156	210794	157
210351	63 30	210373	157	210532	29 58	210725	23 47	210795	152
210351	65 22	210373	158	210533	29 57	210727	35 13	210795	153
210353	23 52	210374	152	210534	29 55	210728	35 11	210795	155
210354	157	210374	153	210535	29 53	210729	153	210795	158
210354	158	210374	156	210539	41 25	210730	153	210795	160
210354	159	210375	153	210568	154	210731	19 35	210795A	154
210354	160	210376	153	210568	159	210731	49 2	210796	152
210356	148	210442	153	210569	153	210731	49 37	210796	153
210356	149	210442	154	210569	154	210731	51 10	210796	155
210356	150	210442	159	210569	159	210731	51 17	210796	158
210356	151	210443	153	210574	152	210731	53 39	210796	160
210356	152	210443	154	210574	153	210731	57 20	210796A	154
210356	153	210443	158	210574	156	210731	59 24	210797	152
210356	154	210443	159	210574	158	210731	61 2	210797	153

PART NO.	PAGE REF.	PART NO.	PAGE REF.	PART NO.	PAGE REF.	PART NO.	PAGE REF.	PART NO.	PAGE REF.
210797	155	210837	148	210954	47 3	211276	157	211453	71 38
210797	158	210838	148	210955	47 36	211277	157	211453	160
210797	160	210839	148	210957	150	211278	157	211507	151
210797A	154	210840	148	210959	155	211279	157	211507	155
210798	152	210841	148	210959	160	211280	157	211509	37 30
210798	153	210841	149	210961	47 55	211281	157	211510	37 31
210798	155	210842	148	210962	49 9	211282	159	211511	37 32
210798	158	210842	149	210962	49 28	211283	159	211512	37 34
210798	160	210843	148	210962	49 41	211285	159	211513	37 36
210798A	154	210843	149	210964	150	211285	157	211514	37 38
210799	152	210844	148	210965	150	211286	159	211515	37 39
210799	155	210844	149	210966	150	211289	159	211516	37 44
210799	158	210845	148	210967	150	211290	154	211517	37 47
210799	160	210845	149	210968	150	211290	159	211517	51 29
210800	152	210846	148	210969	150	211291	157	211525	9 20
210800	155	210846	149	210970	150	211292	157	211526	9 23
210800	158	210847	148	210971	150	211300	5 10	211527	9 19
210800	160	210847	149	210972	150	211301	29 41	211528	9 27
210801	152	210848	148	210973	150	211314	29 51	211529	9 24
210801	155	210848	149	210974	150	211315-ME	41 1	211530	9 21
210801	156	210849	149	210975	150	211316	41 3	211531	39 3
210801	158	210850	149	210976	150	211317	41 8	211532	39 1
210801	160	210851	149	210977	150	211318	41 12	211533	9 18
210802	152	210852	149	210978	150	211319	41 13	211534	69 6
210802	155	210853	149	210979	150	211341	9 7	211534	69 16
210802	158	210854	149	210980	150	211342	3 5	211534	71 40
210802	160	210855	149	210980	151	211345-HD	9 31	211535	160
210803	152	210856	149	210981	150	211348	15 26	211538	160
210803	153	210857	149	210981	151	211349	157	211539	160
210803	155	210858	149	210982	150	211350	157	211542	160
210803	156	210859	149	210982	151	211358	15 27	211546	160
210803	158	210860	149	210983	150	211358	152	211547	160
210803	160	210861	149	210983	151	211358	153	211548	160
210804	152	210862	149	210984	150	211358	154	211549	160
210804	153	210863	149	210984	151	211358	155	211550	160
210804	155	210864	149	210985	150	211358	156	211551	160
210804	156	210865	149	210985	151	211360	152	211552	160
210804	158	210866	149	210986	150	211360	153	211553	160
210804	160	210867	149	210986	151	211360	155	211554	160
210805	152	210868	149	210987	150	211360	156	211555	160
210805	153	210881	5 3	210987	151	211361	153	211556	71 5
210805	155	210883	5 1	210996	155	211362	153	211556	71 22
210805	156	210885	5 34	210996	160	211366	149	211557	152
210805	158	210889	148	210997	155	211369	39 40	211557	156
210805	160	210890	148	210997	160	211371	149	211557	157
210806	152	210892	148	211000	150	211372	149	211557	160
210806	153	210893	148	211001	150	211376	33 9	211558	160
210806	155	210898	13 49	211002	150	211377	53 5	211559	160
210806	156	210898	15 43	211003	150	211379	151	211560	71 16
210807	152	210898	17 53	211004	151	211380	151	211560	71 35
210807	155	210905	153	211005	151	211381	151	211561	71 17
210807	158	210906	153	211011	150	211382	151	211561	71 36
210807	160	210907	153	211012	150	211383	151	211562	71 8
210808	152	210922	13 47	211013	151	211384	151	211563	69 25
210808	155	210922	15 41	211092	47 5	211385	3 12	211563	71 1
210808	158	210922	17 51	211093	47 8	211386	27 5	211563	71 18
210808	160	210923	13 50	211094	47 9	211387	27 10	211563	71 23
210809	152	210923	15 44	211095	47 11	211388	27 8	211568	37 29
210809	155	210923	17 54	211096	47 14	211389	7 54	211569	151
210809	156	210930	13 44	211097	47 16	211390	7 56	211570	151
210809	158	210930	15 38	211098	47 18	211391	23 12	211573	151
210809	160	210933	69 5	211099	47 43	211392	13 45	211574	151
210810	152	210933	69 15	211100	47 1	211392	15 39	211575	151
210810	155	210933	69 27	211101	47 2	211392	17 47	211577	151
210817	153	210933	71 39	211257	153	211395	53 6	211578	151
210818	153	210934	154	211257	158	211398	15 15	211580	53
210819	153	210934	159	211258	153	211399	15 19	211581	53 32
210820	153	210935	47 20	211258	158	211399	53 37	211600	152
210821	153	210936	47 22	211259	153	211400	15 17	211600	154
210825	153	210937	47 32	211259	158	211400	53 36	211600	156
210826	153	210938	47 52	211260	153	211401	23 53	211600	157
210827	153	210939	47 54	211260	158	211402	23 15	211600	159
210828	153	210940	47 47	211263	153	211424	154	211600	160
210829	153	210944	47 50	211263	158	211425	154	211601	159
210831	153	210945	47 30	211264	63 1	211448	160	211602	159
210832	153	210946	47 28	211264	63 11	211449	160	211604	159
210833	148	210947	47 26	211265	63 3	211452	71 14	211606	159
210834	148	210948	47 37	211265	63 13	211452	71 37	211607	159
210835	148	210952	47 42	211266	63 6	211452	160	211608	159
210836	148	210953	47 4	211267	63 16	211453	71 15	211609	69 30

PART NO.	PAGE REF.	PART NO.	PAGE REF.	PART NO.	PAGE REF.	PART NO.	PAGE REF.	PART NO.	PAGE REF.
211613	47 51	211823	65 1	212117	149				
211614	47 39	211824	59 2	212186	11 5				
211631	160	211824	59 28	212188	39 42				
211632	160	211824	65 2	212190	149				
211633	160	211825	156	212212	61 16				
211636	35 1	211827	156	212213	61 18				
211637	35 3	211831	156	212214	61 30				
211639	41 20	211832	156	212215	152				
211649	51 14	211833	156	212216	61 31				
211649	63 17	211835	156	212217	61 34				
211649	65 10	211838	65 27	212241	152				
211650	51 15	211839	65 28	212241	157				
211650	63 18	211844	153	212242	152				
211650	65 11	211844	156	212242	157				
211651	156	211845	149	212243	152				
211652	63 27	211868	65 9	212243	157				
211652	65 19	211868	65 26	212244	152				
211653	51 23	211873-TA	152	212244	157				
211654	51 21	211874-TA	152	212245	152				
211654	63 25	211874-TA	156	212245	157				
211654	65 17	211875-TA	152	212246	152				
211655	51 19	211875-TA	156	212246	157				
211655	63 23	211876	57 1	212247	152				
211655	65 15	211876	57 23	212247	157				
211657	51 28	211877	57 2	212248	152				
211657	63 31	211877	57 24	212248	157				
211657	65 23	211879	57 4	212249	152				
211658	51 24	211879	57 26	212249	157				
211658	63 28	211879	59 7	212250	152				
211658	65 20	211879	59 33	212250	157				
211659	51 25	211880	57 5	212265	55 24				
211659	63 29	211880	57 27	212266	55 28				
211659	65 21	211880	59 8	212267	55 35				
211660	65 31	211880	59 34	212268	55 37				
211661	65 39	211885	49 11	212271-TA	152				
211661	67 28	211885	49 30	212273	159				
211661	154	211885	49 43	212274	159				
211661	156	211886	49 12	212279	3 37				
211661	159	211886	49 31	212327-FD	3 20				
211662	65 32	211886	49 44	212328-FD	3 21				
211662	67 21	211887	156	212543	154				
211662	154	211890	156	212544	154				
211662	156	211894-TA	156	218173	3 30				
211662	159	211898	13 17	300248	65 34				
211702	49 40	211903	51 5	300248	67 23				
211702	61 5	211904	51 6	301715	154				
211702	61 10	211905	51 1	301718	154				
211719	149	211906	51 3	301718	159				
211719	153	211907	148	301719	154				
211719	154	211908	148	301719	159				
211719	156	211909	148	301722	154				
211720	156	211910	148	301722	159				
211766	154	211926	51 20	301723	154				
211766	159	211926	63 24	301723	159				
211767	154	211926	65 16	301724	154				
211767	159	211927	156	301724	159				
211768	154	211929	156	301725	154				
211769	159	211930	156	301725	159				
211770	159	211931	63 35	301974	154				
211772	154	211941	63 34	301974	159				
211772	159	211946	57 6	303067	53 13				
211773	154	211946	57 28	303312A	55 22				
211773	159	211946	59 9	303313	55 23				
211794	65 30	211946	59 35	303718	154				
211802	29 10	211949	59 22	306468-FD	73 33				
211804	7 58	211949	59 38						
211804	29 11	211951	59 39						
211804	156	211958	7 13						
211805	69 26	211959-HD	7 11						
211805	71 3	211974	152						
211805	71 20	211974	157						
211805	71 25	211986	152						
211805	156	211986	157						
211806	156	211987	152						
211808	69 31	211987	157						
211820	156	211991	154						
211821	156	211993	154						
211822	156	211994	154						
211823	59 1	211995	21 21						
211823	59 27	212028	31 1						

E52 GAUGE PARTS LIST (6)

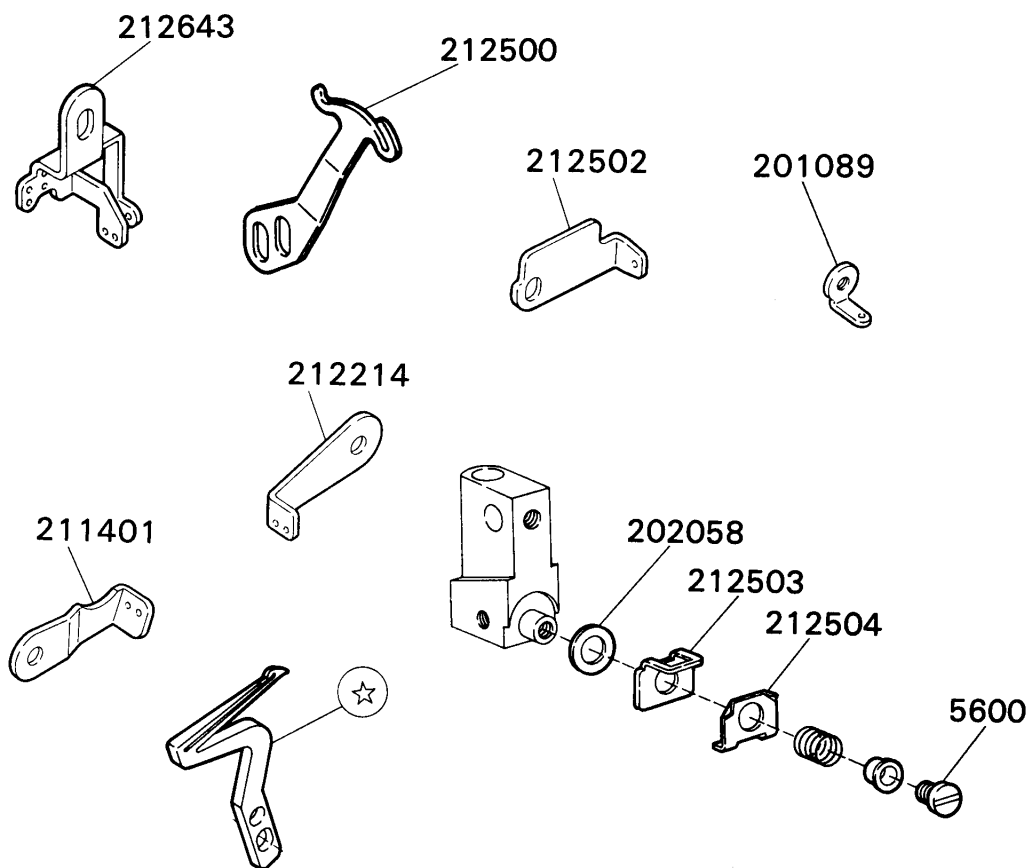


MACHINE TYPE / SPEC.	GAUGE NG SW	NEEDLE PLATE	MAIN FEED COMPLETE	DIFF. FEED DOG	PRESSER FOOT		LOWER KNIFE	UPPER LOOPER	NEEDLE GUARD		NEEDLE HOLDER	NEEDLE	
					BODY	FINGER			(FRONT)	(REAR)			
514-E52-253 /493-W	2 3	212730-30	212733-16	212735-16	209386	210503	202295	211720	210252	210724	211360	DCX27 #11	
	2 4	" -40	"	"	"	210374	"	" #40	"	"	"	"	
	2 5	" -50	"	"	"	"	"	"	"	"	"	"	
	2 5 2.5	212731-25	"	"	"	210375	"	"	210253	"	211361	"	
	2 5 3.5	" -35	"	"	"	"	"	"	"	"	"	"	
	2 5 4.5	" -45	"	"	"	210376	"	"	210254	"	211362	"	
	3 4	212774-40	"	"	"	"	"	"	"	"	"	"	
	3 5	" -50	"	"	"	"	"	"	"	"	"	"	
	512-E52-253 /493-W	2 3	212730-30	212733-16	212735-16	209386	210503	202295	211844	210252	210724	211360	DCX27 #11
		2 4	" -40	"	"	"	210374	"	" #42	"	"	"	"
		2 5	" -50	"	"	"	"	"	"	"	"	"	"
		2 5 2.5	212731-25	"	"	"	210375	"	"	210253	"	211361	"
		2 5 3.5	" -35	"	"	"	"	"	"	"	"	"	"
		2 5 4.5	" -45	"	"	"	210376	"	"	210254	"	211362	"
		3 4	212774-40	"	"	"	"	"	"	"	"	"	"
3 5		" -50	"	"	"	"	"	"	"	"	"	"	
514-E52-253K /493-W		2 3	212730-30	212733-16	212735-16	209386	210503	202295	211720	210252	210724	211360	DCX27 #11
		2 4	" -40	"	"	"	210374	"	" #40	"	"	"	"
		2 5	" -50	"	"	"	"	"	"	"	"	"	"
		2 5 2.5	212731-25	"	"	"	210375	"	"	210253	"	211361	"
		2 5 3.5	" -35	"	"	"	"	"	"	"	"	"	"
		2 5 4.5	" -45	"	"	"	210376	"	"	210254	"	211362	"
		3 4	212774-40	"	"	"	"	"	"	"	"	"	"
	3 5	" -50	"	"	"	"	"	"	"	"	"	"	
	512-E52-253K /493-W	2 3	212730-30	212733-16	212735-16	209386	210503	202295	211844	210252	210724	211360	DCX27 #11
		2 4	" -40	"	"	"	210374	"	" #42	"	"	"	"
		2 5	" -50	"	"	"	"	"	"	"	"	"	"
		2 5 2.5	212731-25	"	"	"	210375	"	"	210253	"	211361	"
		2 5 3.5	" -35	"	"	"	"	"	"	"	"	"	"
		2 5 4.5	" -45	"	"	"	210376	"	"	210254	"	211362	"
		3 4	212774-40	"	"	"	"	"	"	"	"	"	"
3 5		" -50	"	"	"	"	"	"	"	"	"	"	

COMMON GAUGE PARTS
211600 Presser foot uncurler

201121A (514, 512-E52-253) Upper knife
211771 (514, 512-E52-253K) "
210356 (512-E52-253, 253K) Lower looper
211651 (514-E52-253, 253K) "

2-needle E52 M-line machines
manufactured from March, 1984;
the starting series number #7649832



PLEASE NOTE:

☆This is one of the gauge parts. Please confirm the correct part by the lists on pages 152~156.

WILCOX & GIBBS

Copyright 1983 by Pegasus Sewing Machine Mfg. Co., Ltd.

Fifth edition September, 1983 (09831T1000D)