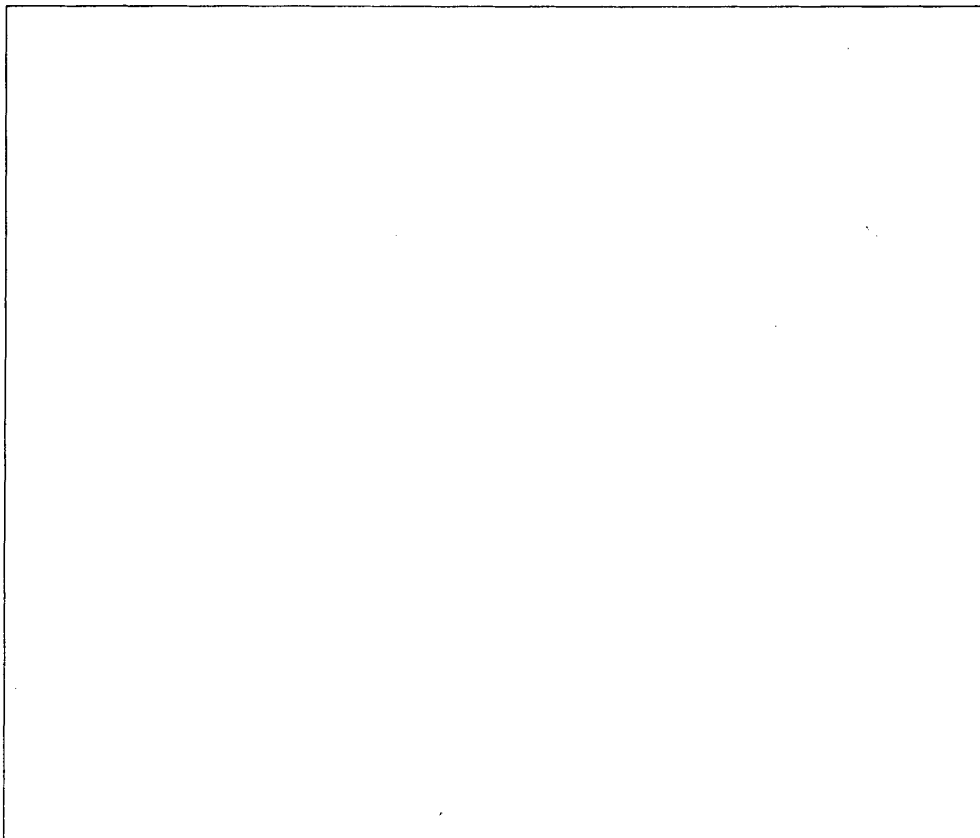


401 SERIES

MODELS: 401-02.03.04.13



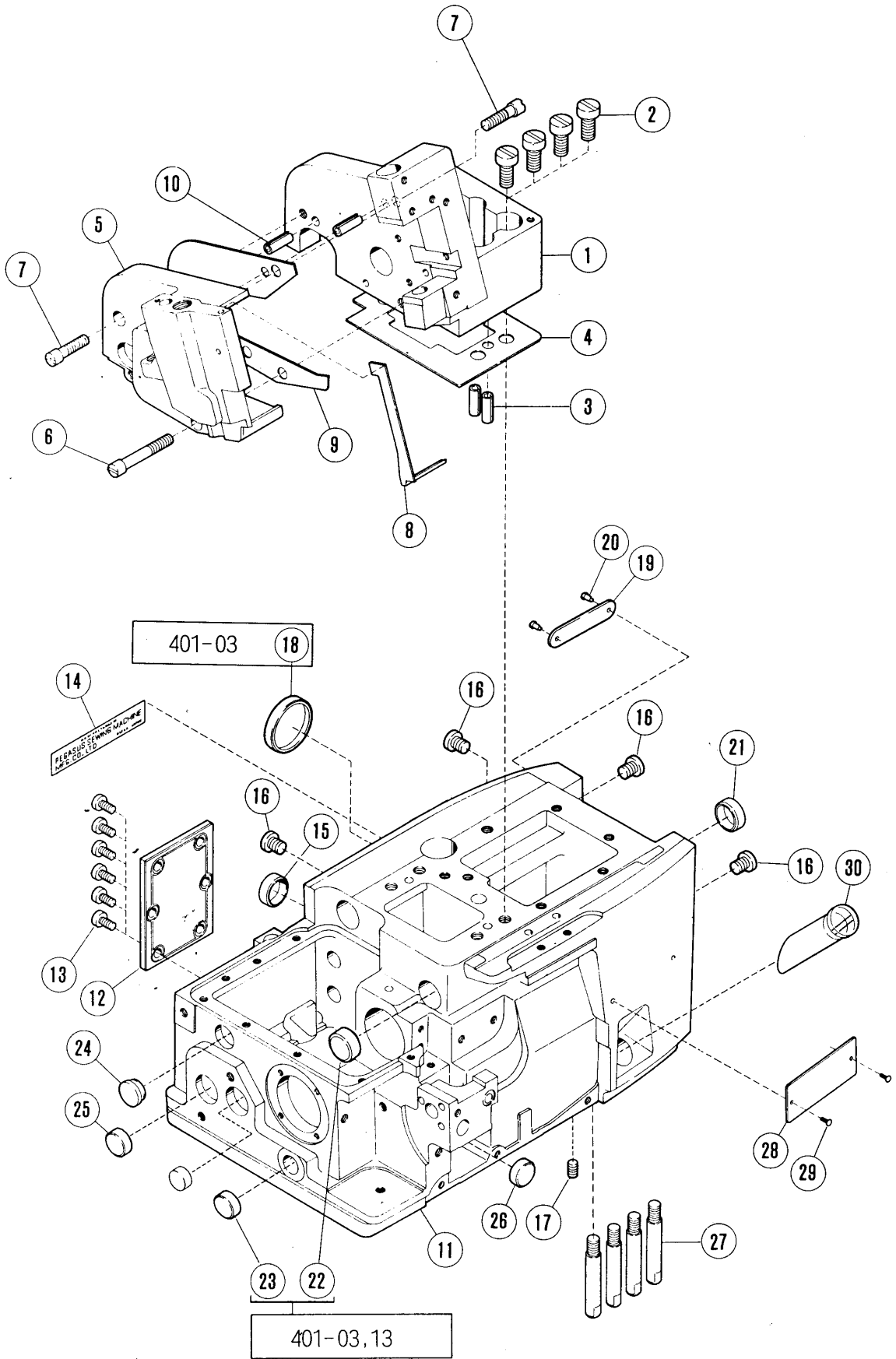
INTRODUCTION

- This parts catalog covers the 401 machine manufactured December, 1990.
- On pages 2~43, each mechanism is arranged on facing pages, the first page containing the illustrations and the second page containing the data of the individual parts.
The number given to each illustration is the REF. NO. on the parts list.
- Gauge parts construction charts/gauge parts lists.
Gauge parts are used in some machine types and sewing gauges only. Pages 44 ~ 45 contain the gauge parts construction charts in order to know the illustrations and the combinations of the parts, and page 46 contain the gauge parts lists to obtain the data at a glance.
- A part number index is attached to the back of this catalog for convenience.
- When placing orders for parts from this catalog, use ONLY THE PART NUMBER.
- This parts catalog is applicable to your machine and is subject to change without notification.

TABLE OF CONTENTS

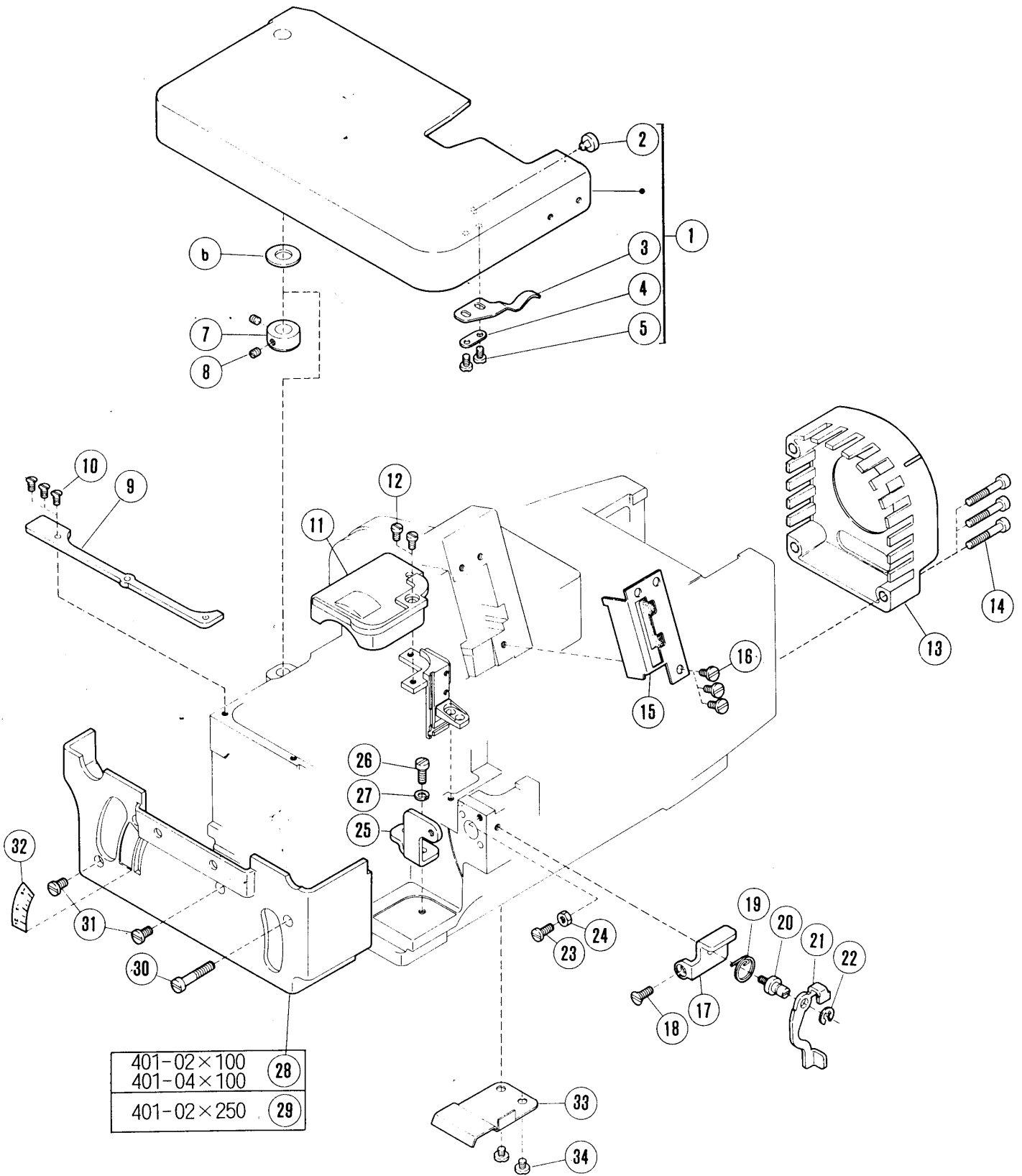
Page

| | |
|---|-------|
| Machine bed frame | 2— 3 |
| Cover (1)..... | 4— 5 |
| Cover (2)..... | 6— 7 |
| Crankshaft drive mechanism (1) | 8— 9 |
| Crankshaft drive mechanism (2) | 10—11 |
| Needle drive mechanism (1) | 12—13 |
| Needle drive mechanism (2) | 14—15 |
| Looper drive mechanism (1) | 16—17 |
| Looper drive mechanism (2) | 18—19 |
| Feed mechanism (1) | 20—21 |
| Feed mechanism (2) | 22—23 |
| Feed mechanism (3) | 24—25 |
| Knife drive mechanism | 26—27 |
| Presser foot mechanism (1) | 28—29 |
| Presser foot mechanism (2) | 30—31 |
| Lubrication mechanism | 32—33 |
| H. R. device | 34—35 |
| Attachment | 36—37 |
| Parts for semi-submerged installation | 38—39 |
| Thread stand | 40—41 |
| Accessories | 42—43 |
| Gauge parts construction charts | 44—45 |
| Gauge parts lists..... | 46 |
| Part number index | 47—48 |



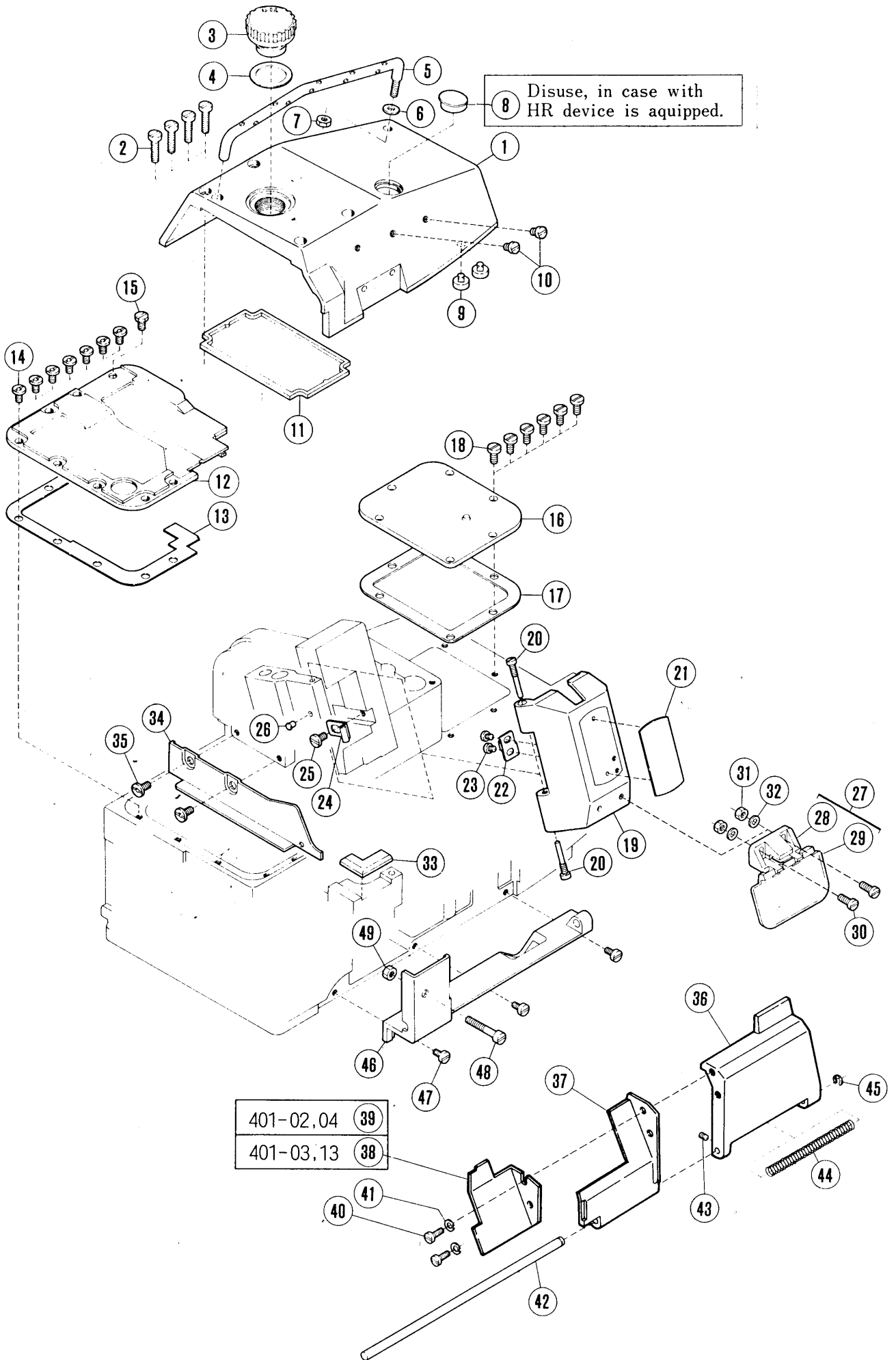
MACHINE BED FRAME

| REF. NO. | PART NO. | NAME | QT. |
|-------------|-----------|---------------------|-----|
| 1 | 208602-FD | MACHINE ARM (RIGHT) | 1 |
| 2 | 5078 | SCREW | 4 |
| 3 | 201002 | PIN | 2 |
| 4 | 204251 | GASKET | 1 |
| 5 | 208603-FD | MACHINE ARM (LEFT) | 1 |
| 6 | 5237 | SCREW | 1 |
| 7 | 5163 | SCREW | 2 |
| 8 | 208434 | OIL SHIELD | 1 |
| 9 | 208169A | GASKET | 1 |
| 10 | 201002 | PIN | 2 |
| 11 | 208624AFD | MACHINE BED | 1 |
| 12 | 210005 | COVER PLATE | 1 |
| 13 | 5117 | SCREW | 6 |
| 14 | 202526 | NAME PLATE | 1 |
| 15 | 210003 | PLUG | 1 |
| 16 | 5332A | SCREW | 4 |
| 17 | 2022 | SCREW | 1 |
| 18 | 206707 | PLUG | 1 |
| 19 | 230047A | SERIAL NUMBER PLATE | 1 |
| 20 | 210679 | PIN | 2 |
| 21 | 204828 | PLUG | 1 |
| 22 | 210003 | PLUG | 1 |
| 23 | 208173 | PLUG | 1 |
| 24 | 240162 | PLUG | 1 |
| 25 | 210003 | PLUG | 1 |
| 26 | 208173 | PLUG | 1 |
| 27 | 204006 | BED PIN | 4 |
| 28 | 212280A | TYPE PLATE | 1 |
| 29 | 210679 | PIN | 2 |



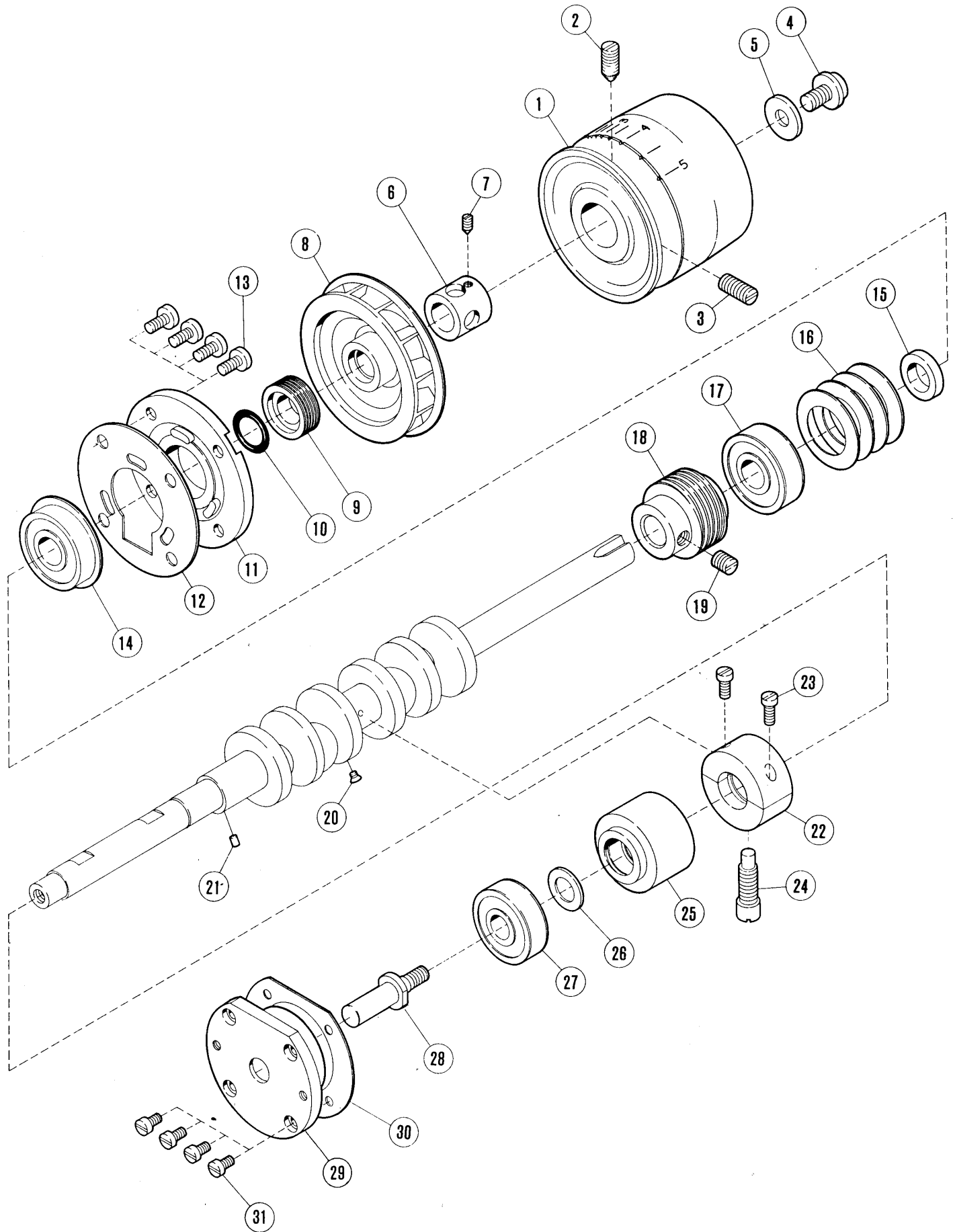
COVER (1)

| REF. NO. | PART NO. | NAME | QT. |
|-------------|-----------|----------------------|-----|
| 1 | 208610 | CLOTH PLATE COMPLETE | 1 |
| 2 | 210025 | CUSHION | 1 |
| 3 | 204218 | FLAT SPRING | 1 |
| 4 | 200162A | WASHER | 1 |
| 5 | 1216 | SCREW | 2 |
| 6 | 202576 | WASHER | 1 |
| 7 | 201139 | COLLAR | 1 |
| 8 | 1457 | SCREW | 2 |
| 9 | 204242 | RUBBER PLUG | 1 |
| 10 | 5022 | SCREW | 3 |
| 11 | 208945 | COVER/FEED ECCENTRIC | 1 |
| 12 | 5328 | SCREW | 2 |
| 13 | 204650A | COVER | 1 |
| 14 | 5094 | SCREW | 3 |
| 15 | 208430 | FACE PLATE COMPLETE | 1 |
| 16 | 5535 | SCREW | 3 |
| 17 | 208741 | STOPPER | 1 |
| 18 | 1732 | SCREW | 1 |
| 19 | 208740 | SPRING | 1 |
| 20 | 208738 | PIN | 1 |
| 21 | 208737 | LEVER | 1 |
| 22 | 201629 | RING | 1 |
| 23 | 5002 | SCREW | 1 |
| 24 | 3044 | NUT | 1 |
| 25 | 204868 | SPACER | 1 |
| 26 | 2902 | SCREW | 1 |
| 27 | 202286 | SPRING WASHER | 1 |
| 28 | 204865AFA | SIDE COVER | 1 |
| 29 | 208570-FA | SIDE COVER | 1 |
| 30 | 5182 | SCREW | 1 |
| 31 | 5091 | SCREW | 2 |
| 32 | 209405 | INDICATION PLATE | 1 |
| 33 | 210007 | FEED BAR COVER | 1 |
| 34 | 2905 | SCREW | 2 |



COVER (2)

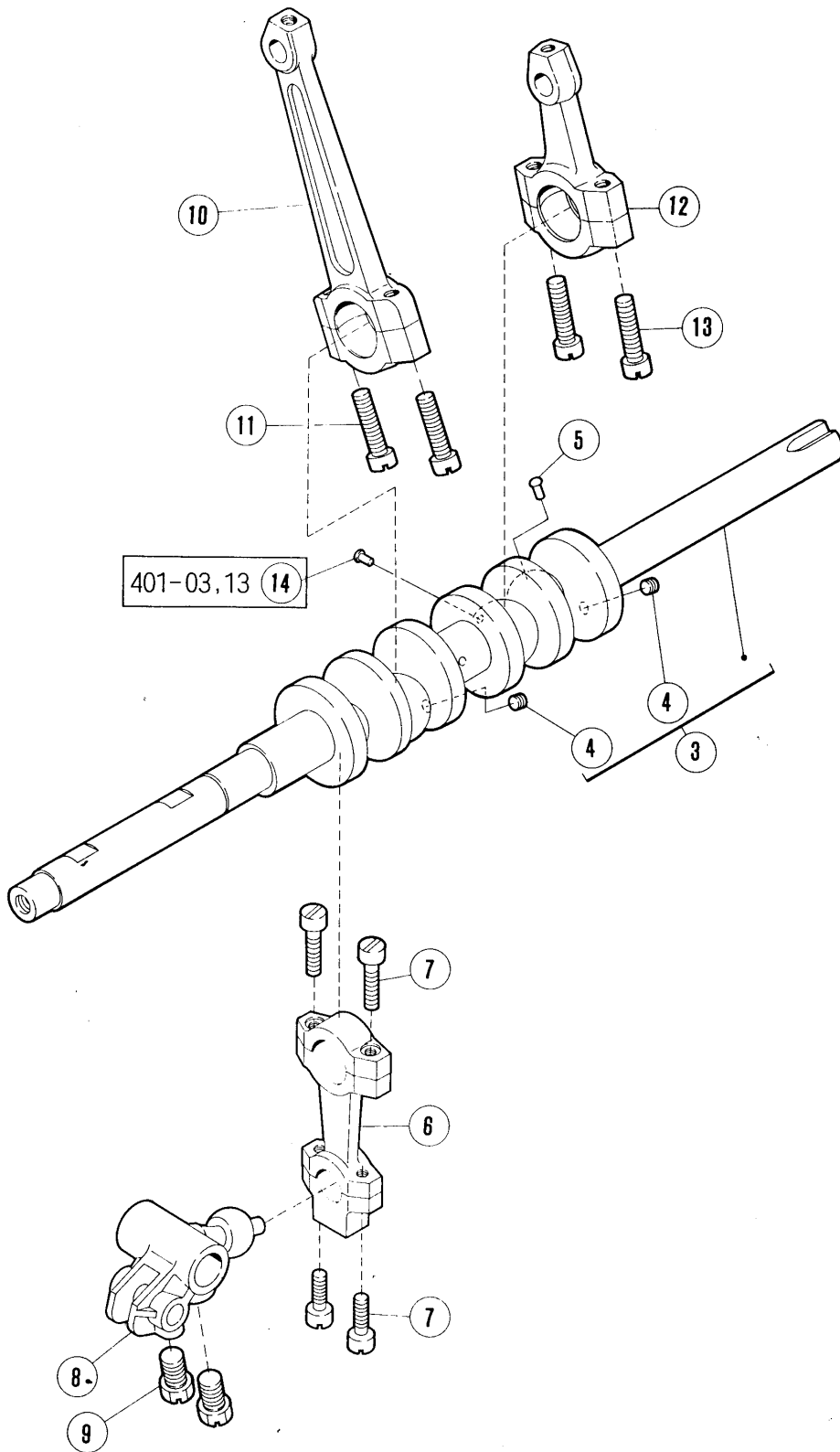
| REF. NO. | PART NO. | NAME | QT. |
|-------------|------------|-------------------------------|-----|
| 1 | 208581-HD | TOP COVER | 1 |
| 2 | 5152 | SCREW | 4 |
| 3 | 206457 | OIL SIGHT WINDOW | 1 |
| 4 | 206682 | GASKET | 1 |
| 5 | 208802 | THREAD GUIDE BAR | 1 |
| 6 | 200098 | WASHER | 1 |
| 7 | 3044 | NUT | 1 |
| 8 | 208339 | PLUG | 1 |
| 9 | 208482 | CUSHION RUBBER | 2 |
| 10 | 5091 | SCREW | 2 |
| 11 | 208481 | O RING | 1 |
| 12 | 208919 | BED PLATE COMPLETE (LEFT) | 1 |
| 13 | 208921 | GASKET | 1 |
| 14 | 4009-1 | SCREW | 7 |
| 15 | 5482 | SCREW | 1 |
| 16 | 208341 | BED COVER PLATE (RIGHT) | 1 |
| 17 | 208342 | GASKET | 1 |
| 18 | 5117 | SCREW | 6 |
| 19 | 208023A-HD | NEEDLE BAR COVER | 1 |
| 20 | 202653 | SCREW | 2 |
| 21 | 208725 | NAME PLATE | 1 |
| 22 | 202689 | FLAT SPRING | 1 |
| 23 | 1234 | SCREW | 2 |
| 24 | 204223 | FLAT SPRING | 1 |
| 25 | 4009-1 | SCREW | 1 |
| 26 | 198192 | CUSHION RUBBER | 1 |
| 27 | 208747 | EYE GUARD COMPLETE | 1 |
| 28 | 208744 | EYE GUARD BRACKET COMPLETE | 1 |
| 29 | 205685 | EYE GUARD | 1 |
| 30 | 1175-3 | SCREW | 2 |
| 31 | 3091 | NUT | 2 |
| 32 | 137906 | WASHER | 2 |
| 33 | 204243 | RUBBER PLUG | 1 |
| 34 | 204848A | FABRIC GUARD | 1 |
| 35 | 5458 | SCREW | 2 |
| 36 | 208383 | FRONT COVER (RIGHT) | 1 |
| 37 | 208384 | FRONT COVER (LEFT) | 1 |
| 38 | 208583 | AUX. PLATE (LEFT)/FRONT COVER | 1 |
| 39 | 208645 | AUX. PLATE (LEFT)/FRONT COVER | 1 |
| 40 | 1175-3 | SCREW | 2 |
| 41 | 201252 | SPRING WASHER | 2 |
| 42 | 208009 | PIN | 1 |
| 43 | 5146 | SCREW | 2 |
| 44 | 208010 | SPRING | 1 |
| 45 | 200555 | RING | 1 |
| 46 | 208008-FD | HINGE/FRONT COVER | 1 |
| 47 | 1216 | SCREW | 3 |
| 48 | 5094 | SCREW | 1 |
| 49 | 5137 | NUT | 1 |



CRANKSHAFT DRIVE MECHANISM (1)

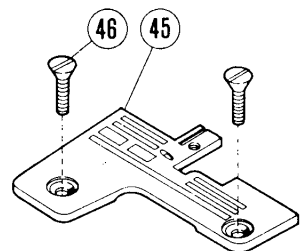
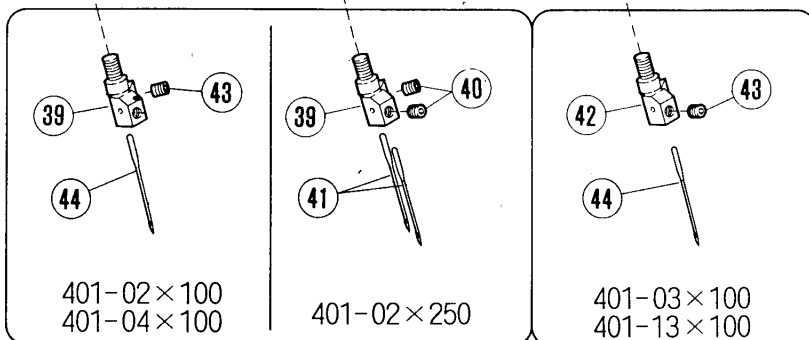
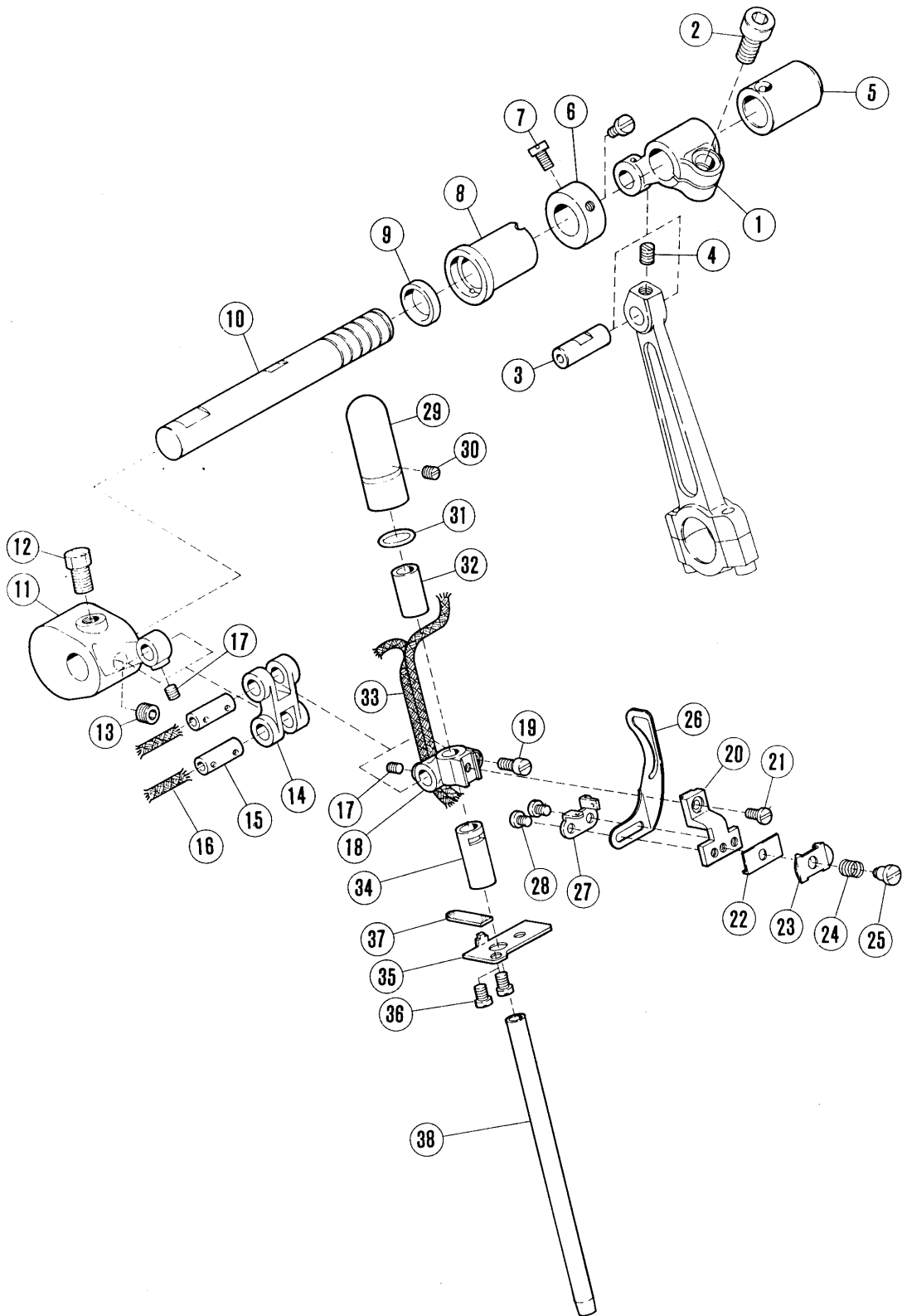
| REF. NO. | PART NO. | NAME | QT. |
|-------------|-----------|-----------------------|-----|
| 1 | 208932-HD | MACHINE PULLEY | 1 |
| 2 | 5080 | SCREW | 1 |
| 3 | 5081 | SCREW | 1 |
| 4 | 5549 | SCREW | 1 |
| 5 | 204023 | WASHER | 1 |
| 6 | 204026 | SPACER | 1 |
| 7 | 5267 | SCREW | 1 |
| 8 | 204198 | COOLING FAN | 1 |
| 9 | 208476 | OIL SEAL COLLAR | 1 |
| 10 | 208272 | O RING | 1 |
| 11 | 208477 | PLATE | 1 |
| 12 | 204022 | GASKET | 1 |
| 13 | 5117 | SCREW | 4 |
| 14 | 204020A | BUSHING | 1 |
| 15 | 204019A | SPACER | 1 |
| 16 | 204018 | SPRING | 4 |
| 17 | 201523A | BALL BEARING | 1 |
| 18 | 204186A | WORM | 1 |
| 19 | 2022 | SCREW | 1 |
| 20 | 5304 | SCREW | 1 |
| 21 | 207358 | OIL FELT | 1 |
| 22 | 204016 | BUSHING | 1 |
| 23 | 1170-1 | SCREW | 2 |
| 24 | 5240 | SCREW | 1 |
| 25 | 204014 | BUSHING | 1 |
| 26 | 240102 | WASHER | 1 |
| 27 | 204010 | BUSHING | 1 |
| 28 | 204873 | CRANK SHAFT EXTENSION | 1 |
| 29 | 204881 | HOUSING | 1 |
| 30 | 204319 | GASKET | 1 |
| 31 | 5328 | SCREW | 4 |

| | | |
|---|-------------|-----------|
| 1 | 3 ~ 13 | 401-02,04 |
| 2 | 3 ~ 11 • 14 | 401-03,13 |



CRANKSHAFT DRIVE MECHANISM (2)

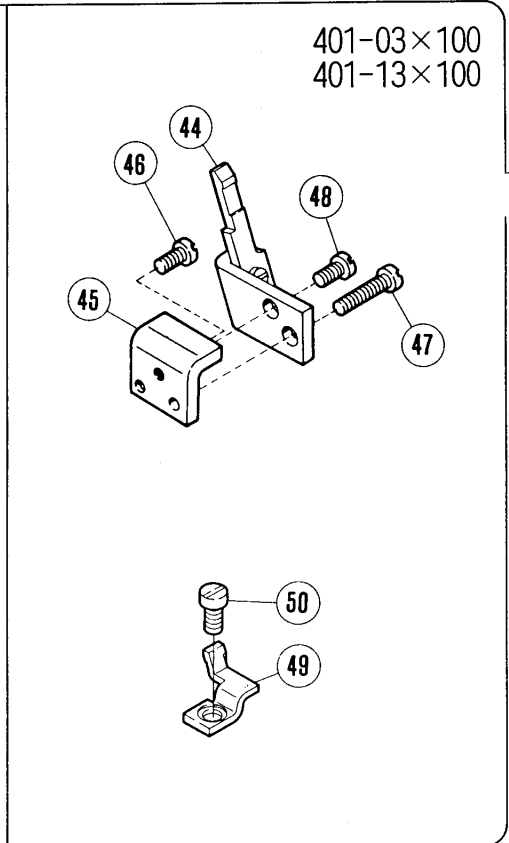
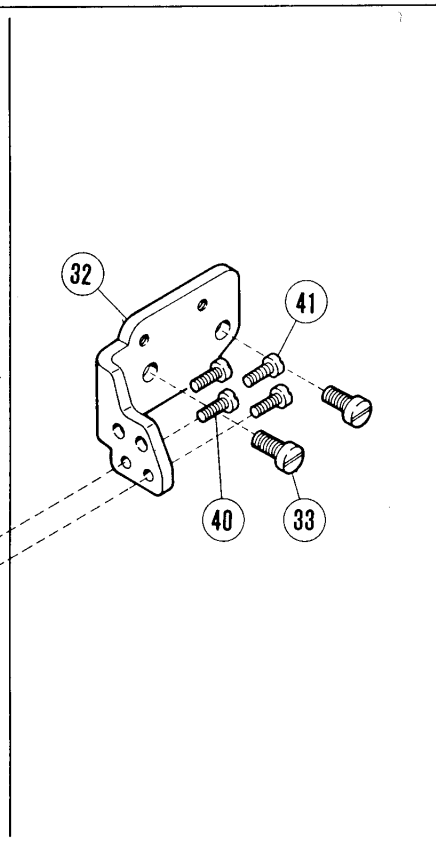
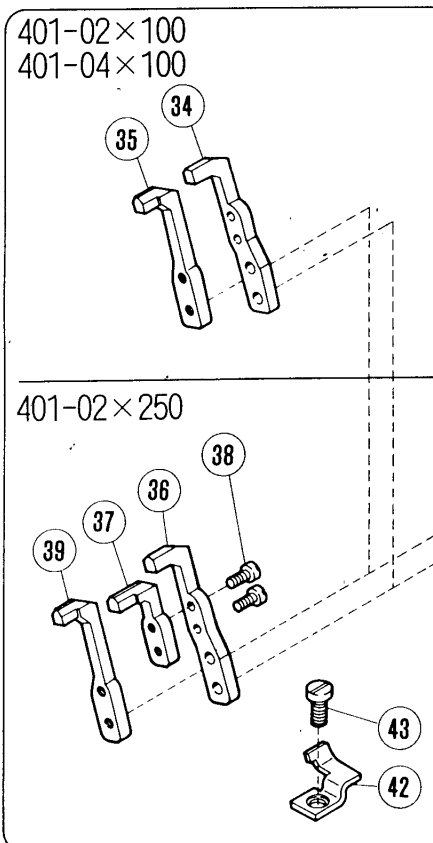
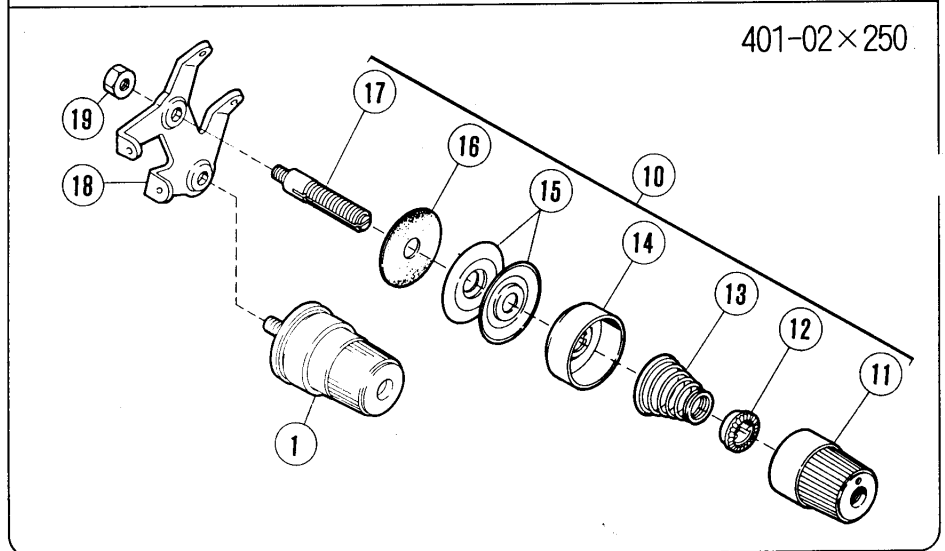
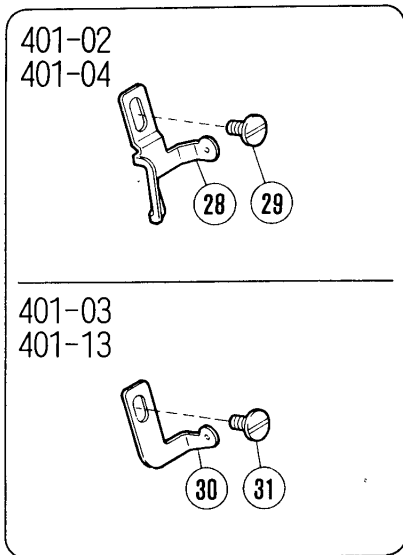
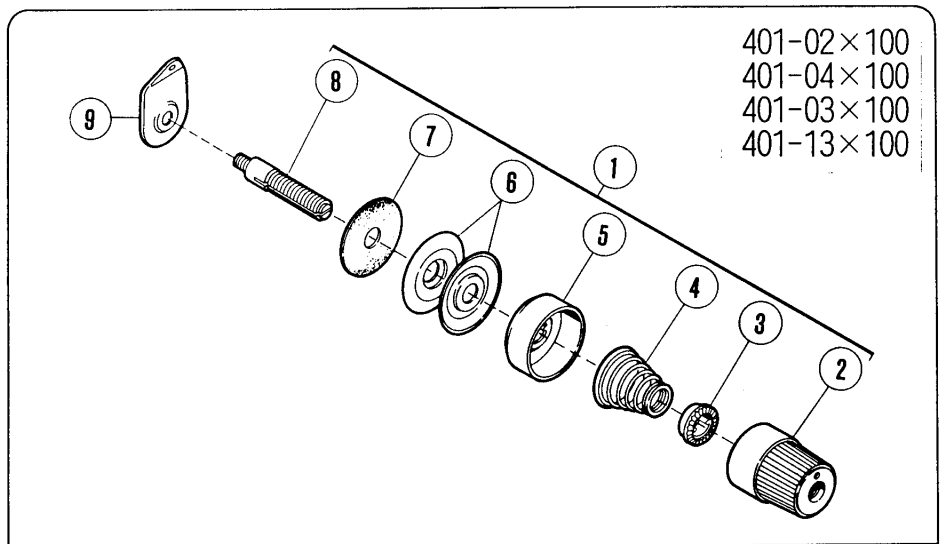
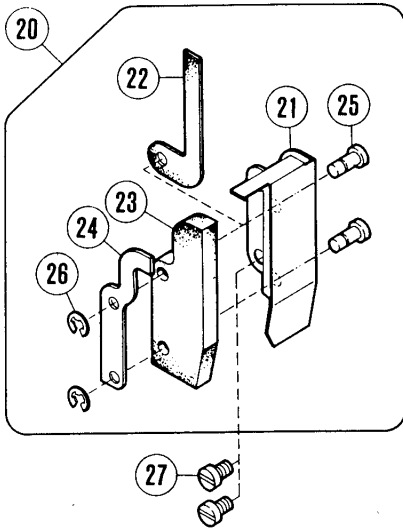
| REF. NO. | PART NO. | NAME | QT. |
|----------|----------|------------------------------|-----|
| 1 | 209367HY | CRANKSHAFT ASSEMBLY | 1 |
| 2 | 209367JY | CRANKSHAFT ASSEMBLY | 1 |
| 3 | 208951 | CRANKSHAFT | 1 |
| 4 | 1459 | SCREW | 2 |
| 5 | 208627 | OIL PLUG | 1 |
| 6 | 208346 | CONNECTION | 1 |
| 7 | 5376 | SCREW | 4 |
| 8 | 208192 | CRANK | 1 |
| 9 | 2022-4 | SCREW | 2 |
| 10 | 204029 | CONNECTION | 1 |
| 11 | 5233 | SCREW | 2 |
| 12 | 204145A | DRIVE CONNECTION/UPPER KNIFE | 1 |
| 13 | 5233 | SCREW | 2 |
| 14 | 208267 | PLUG | 1 |



NEEDLE DRIVE MECHANISM (1)

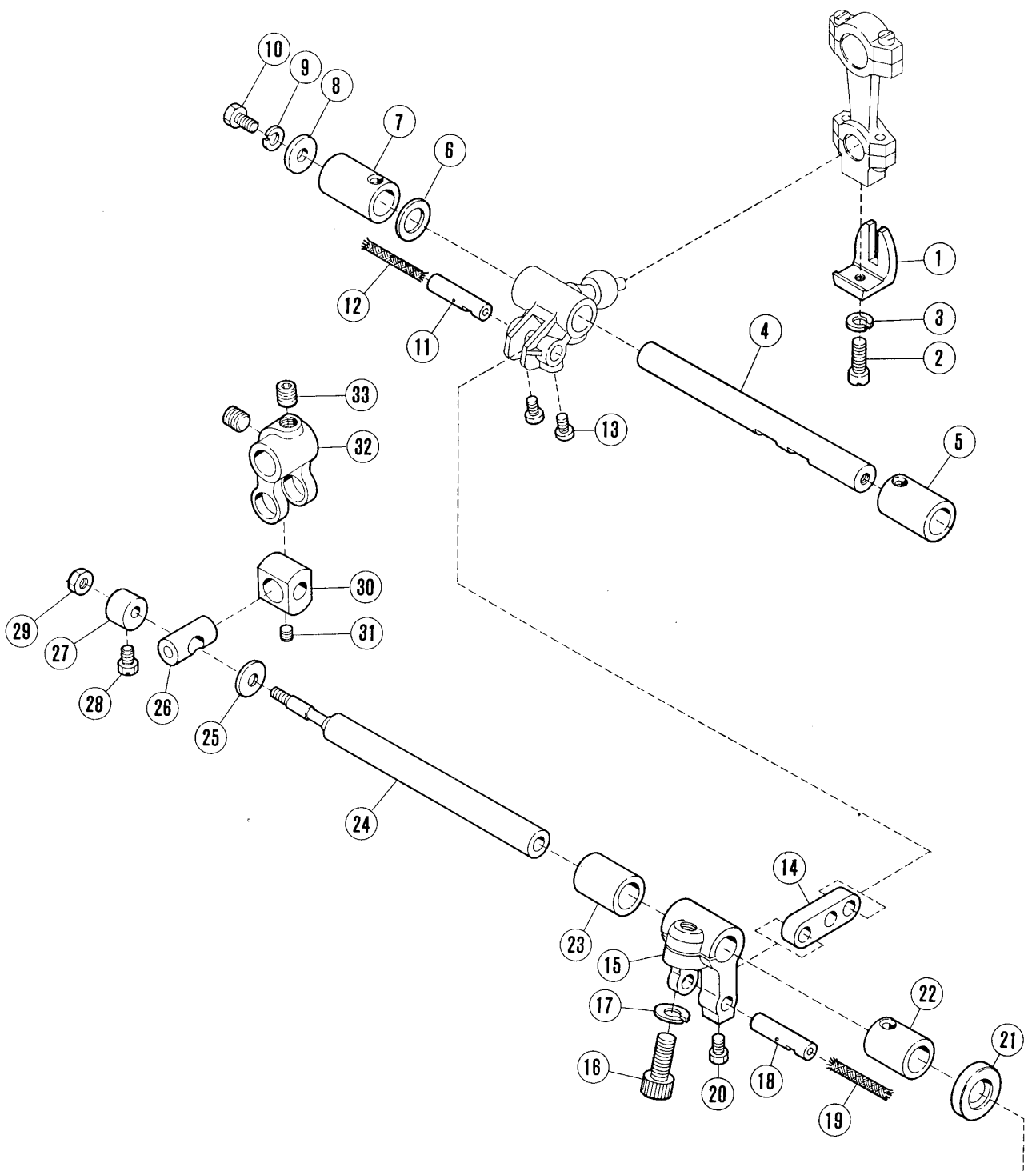
PLEASE NOTE : 「××××××」 is one of the gauge parts.
So please refer to pages 44~46 and confirm the correct parts.

| REF. NO. | PART NO. | NAME | QT. |
|----------|----------|--------------------------------|-----|
| 1 | 201360B | CRANK | 1 |
| 2 | 5381 | SCREW | 1 |
| 3 | 205495 | PIN | 1 |
| 4 | 5234 | SCREW | 1 |
| 5 | 208249 | BUSHING | 1 |
| 6 | 201117 | COLLAR | 1 |
| 7 | 5328 | SCREW | 2 |
| 8 | 208248 | BUSHING | 1 |
| 9 | 208250 | OIL SEAL | 1 |
| 10 | 208247 | SHAFT | 1 |
| 11 | 208424 | CRANK/NEEDLE BAR | 1 |
| 12 | 2022-4 | SCREW | 1 |
| 13 | 5312 | SCREW | 1 |
| 14 | 208425 | LINK/NEEDLE BAR DRIVE | 1 |
| 15 | 200654 | PIN | 2 |
| 16 | 202176 | OIL WICK | 2 |
| 17 | 5292 | SCREW | 2 |
| 18 | 208427 | NEEDLE BAR CLAMP | 1 |
| 19 | 1170-3 | SCREW | 1 |
| 20 | 208382 | NEEDLE THREAD RETAINER BRACKET | 1 |
| 21 | 5359 | SCREW | 1 |
| 22 | 202495 | GUIDE | 1 |
| 23 | 200041 | GUIDE | 1 |
| 24 | 209068 | SPRING | 1 |
| 25 | 9070-2 | SCREW | 1 |
| 26 | 202706A | THREAD TAKEUP | 1 |
| 27 | 208381 | THREAD GUIDE | 1 |
| 28 | 1186 | SCREW | 2 |
| 29 | 208621 | CAP | 1 |
| 30 | 1457 | SCREW | 1 |
| 31 | 200030 | O RING | 1 |
| 32 | 204625A | BUSHING | 1 |
| 33 | 212186 | OIL WICK | 1 |
| 34 | 204627A | BUSHING | 1 |
| 35 | 208616 | DUST SHIELD | 1 |
| 36 | 5053 | SCREW | 2 |
| 37 | 208617 | OIL FELT | 1 |
| 38 | 208903 | NEEDLE BAR | 1 |
| 39 | XXXXXX | NEEDLE HOLDER | 1 |
| 40 | 5292 | SCREW | 2 |
| 41 | DCX27 | NEEDLE | 2 |
| 42 | XXXXXX | NEEDLE HOLDER | 1 |
| 43 | 5292 | SCREW | 1 |
| 44 | DCX27 | NEEDLE | 1 |
| 45 | XXXXXX | NEEDLE PLATE | 1 |
| 46 | 1732-HC | SCREW | 2 |

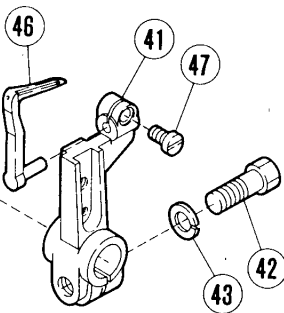


NEEDLE DRIVE MECHANISM (2)

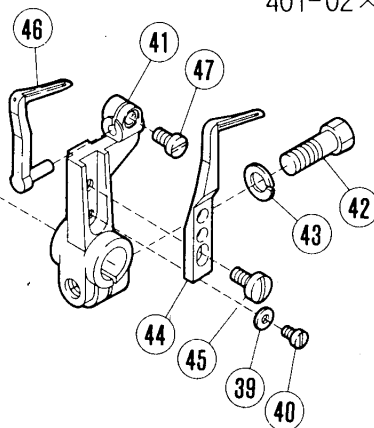
| REF. NO. | PART NO. | NAME | QT. |
|-------------|----------|--------------------------------|-----|
| 1 | 210529 | THREAD TENSION COMPLETE | 1 |
| 2 | 208447 | POST NUT | 1 |
| 3 | 208448 | SPRING BUSHING | 1 |
| 4 | 201037 | SPRING (HEAVY) | 1 |
| 5 | 208450 | CUP | 1 |
| 6 | 210319 | TENSION DISC | 2 |
| 7 | 208449 | FELT | 1 |
| 8 | 5082A | SCREW STUD | 1 |
| 9 | 202849 | TENSION GUIDE | 1 |
| 10 | 209174 | THREAD TENSION COMPLETE | 1 |
| 11 | 208447 | POST NUT | 1 |
| 12 | 208448 | SPRING BUSHING | 1 |
| 13 | 201037 | SPRING (HEAVY) | 1 |
| 14 | 208450 | CUP | 1 |
| 15 | 210319 | TENSION DISC | 2 |
| 16 | 208449 | FELT | 1 |
| 17 | 5143A | STUD | 1 |
| 18 | 208307 | TENSION GUIDE | 1 |
| 19 | 5137 | NUT | 1 |
| 20 | 208568 | NEEDLE BAR LINK COVER COMPLETE | 1 |
| 21 | 208560 | NEEDLE BAR LINK COVER | 1 |
| 22 | 208561 | OIL FELT | 1 |
| 23 | 208562 | OIL FELT | 1 |
| 24 | 208563 | OIL FELT PLATE | 1 |
| 25 | 208713 | PIN | 2 |
| 26 | 200555 | RING | 2 |
| 27 | 5113 | SCREW | 2 |
| 28 | 208312 | THREAD GUIDE | 1 |
| 29 | 4009-1 | SCREW | 1 |
| 30 | 208400 | THREAD GUIDE | 1 |
| 31 | 4009-1 | SCREW | 1 |
| 32 | 208359 | NEEDLE GUARD BRACKET | 1 |
| 33 | 5117 | SCREW | 2 |
| 34 | 208357 | NEEDLE GUARD (FRONT) | 1 |
| 35 | 208356 | NEEDLE GUARD (REAR) | 1 |
| 36 | 208357 | NEEDLE GUARD (FRONT) | 1 |
| 37 | 208358 | NEEDLE GUARD (FRONT) | 1 |
| 38 | 5336 | SCREW | 2 |
| 39 | 208356 | NEEDLE GUARD (REAR) | 1 |
| 40 | 5029 | SCREW | 2 |
| 41 | 5029 | SCREW | 2 |
| 42 | 204042 | NEEDLE GUARD (FRONT) | 1 |
| 43 | 5227 | SCREW | 1 |
| 44 | 204521 | NEEDLE GUARD (REAR) | 1 |
| 45 | 204160A | GUIDE/LOWER BAR | 1 |
| 46 | 1175-2 | SCREW | 1 |
| 47 | 5010 | SCREW | 1 |
| 48 | 1216 | SCREW | 1 |
| 49 | 204536 | NEEDLE GUARD (FRONT) | 1 |
| 50 | 5227 | SCREW | 1 |



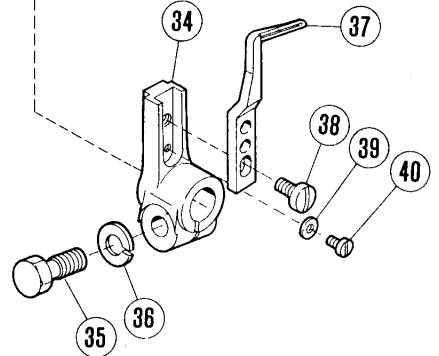
401-02×100
401-04×100



401-02×250

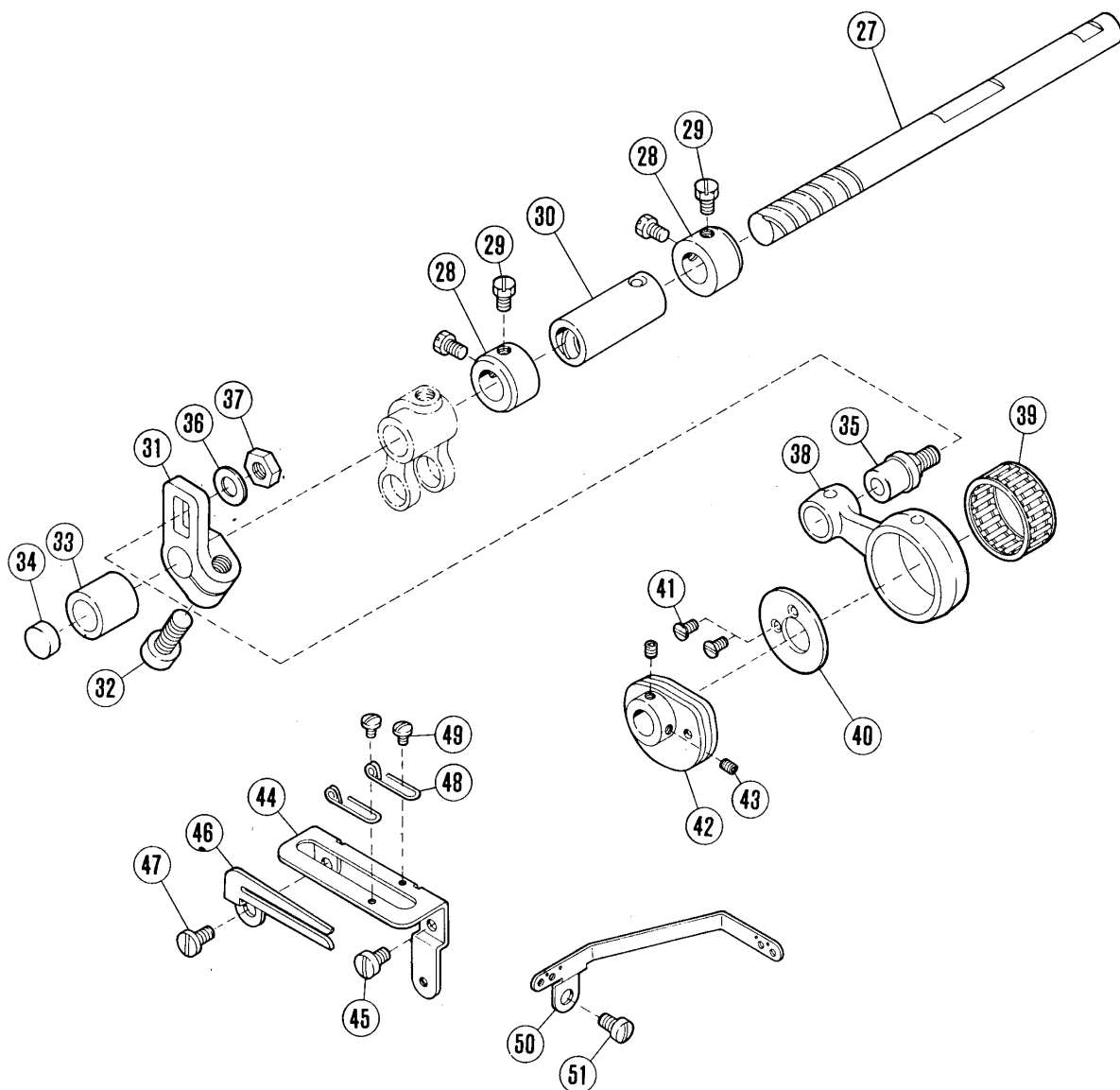
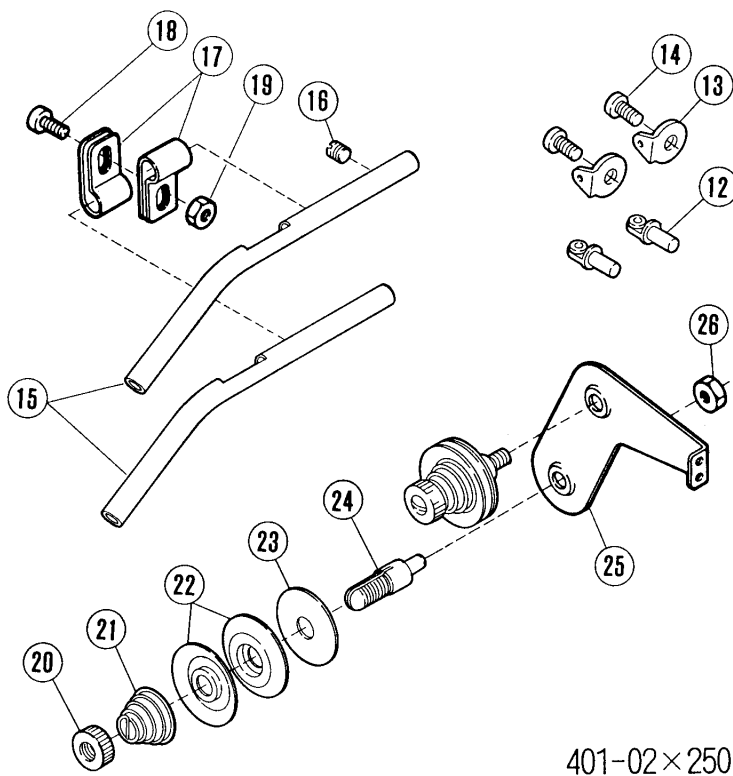
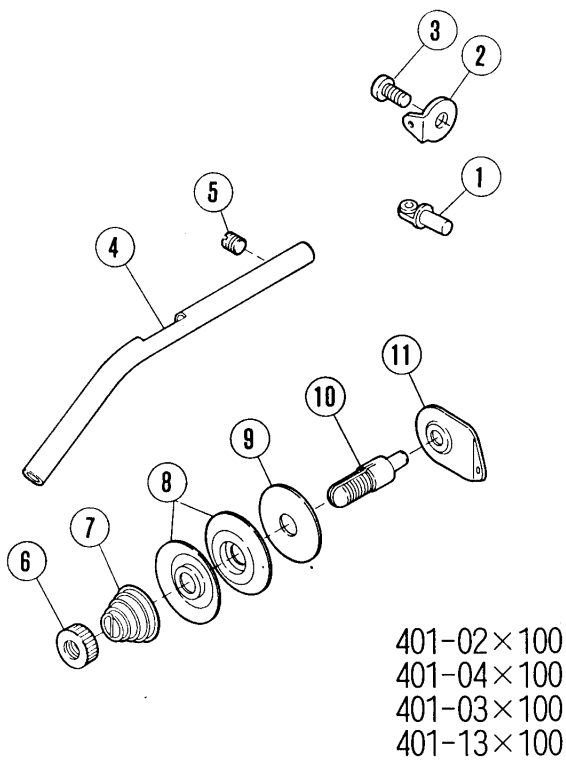


401-03×100
401-13×100



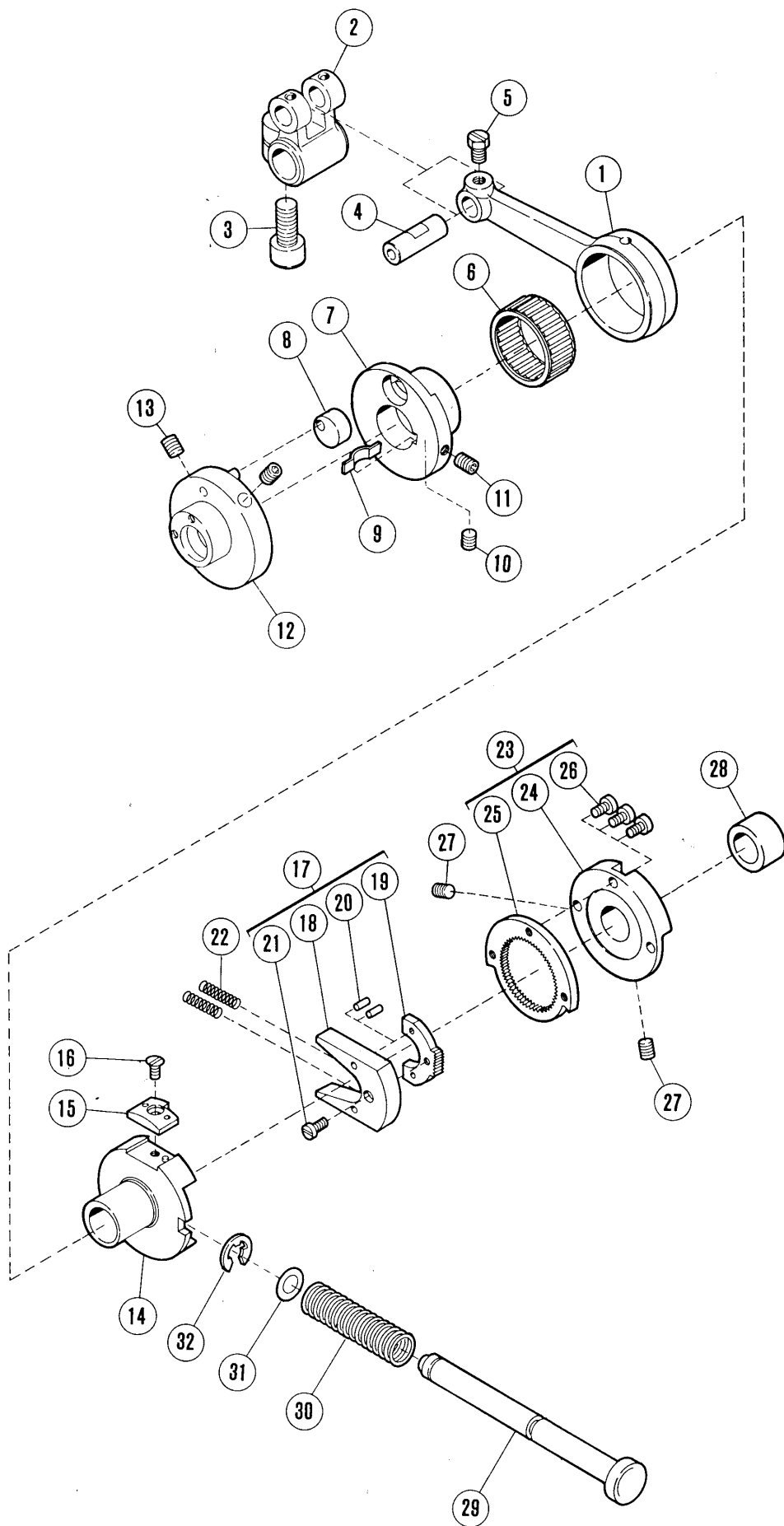
LOOPER DRIVE MECHANISM (1)

| REF. NO. | PART NO. | NAME | QT. |
|-------------|----------|---------------------------|-----|
| 1 | 201074A | GUIDE | 1 |
| 2 | 5546 | SCREW | 1 |
| 3 | 202286 | SPRING WASHER | 1 |
| 4 | 208582 | CRANKSHAFT | 1 |
| 5 | 210124 | BUSHING | 1 |
| 6 | 240102 | WASHER | 1 |
| 7 | 210125 | BUSHING | 1 |
| 8 | 204107 | WASHER | 1 |
| 9 | 202286 | SPRING WASHER | 1 |
| 10 | 2193 | SCREW | 1 |
| 11 | 208195 | PIN | 1 |
| 12 | 202176 | OIL WICK | 1 |
| 13 | 5328 | SCREW | 2 |
| 14 | 208194 | LINK/LOOPER DRIVE | 1 |
| 15 | 210294 | CRANK/LOOPER DRIVE | 1 |
| 16 | 5457 | SCREW | 1 |
| 17 | 204293 | SPRING WASHER | 1 |
| 18 | 208195 | PIN | 1 |
| 19 | 202176 | OIL WICK | 1 |
| 20 | 5084 | SCREW | 1 |
| 21 | 210586 | OIL SEAL | 1 |
| 22 | 210296 | BUSHING | 1 |
| 23 | 210297 | BUSHING | 1 |
| 24 | 208196 | SHAFT/LOOPER DRIVE | 1 |
| 25 | 208028 | WASHER | 1 |
| 26 | 208026 | PIN | 1 |
| 27 | 208029 | COLLAR | 1 |
| 28 | 5084 | SCREW | 1 |
| 29 | 4802 | NUT | 1 |
| 30 | 208027 | BLOCK | 1 |
| 31 | 5292 | SCREW | 1 |
| 32 | 208025 | LINK/LOOPER AVOIDING | 1 |
| 33 | 5385 | SCREW | 2 |
| 34 | 204093 | LEVER | 1 |
| 35 | 5284 | SCREW | 1 |
| 36 | 204293 | SPRING WASHER | 1 |
| 37 | 204314A | DOUBLE CHAINSTITCH LOOPER | 1 |
| 38 | 1189 | SCREW | 1 |
| 39 | 204172 | WASHER | 1 |
| 40 | 2922 | SCREW | 1 |
| 41 | 208361 | DOUBLE CHAINSTITCH LOOPER | 1 |
| 42 | 5284 | SCREW | 1 |
| 43 | 204293 | SPRING WASHER | 1 |
| 44 | 204431 | DOUBLE CHAINSTITCH LOOPER | 1 |
| 45 | 1189 | SCREW | 1 |
| 46 | 208360 | DOUBLE CHAINSTITCH LOOPER | 1 |
| 47 | 5328 | SCREW | 1 |



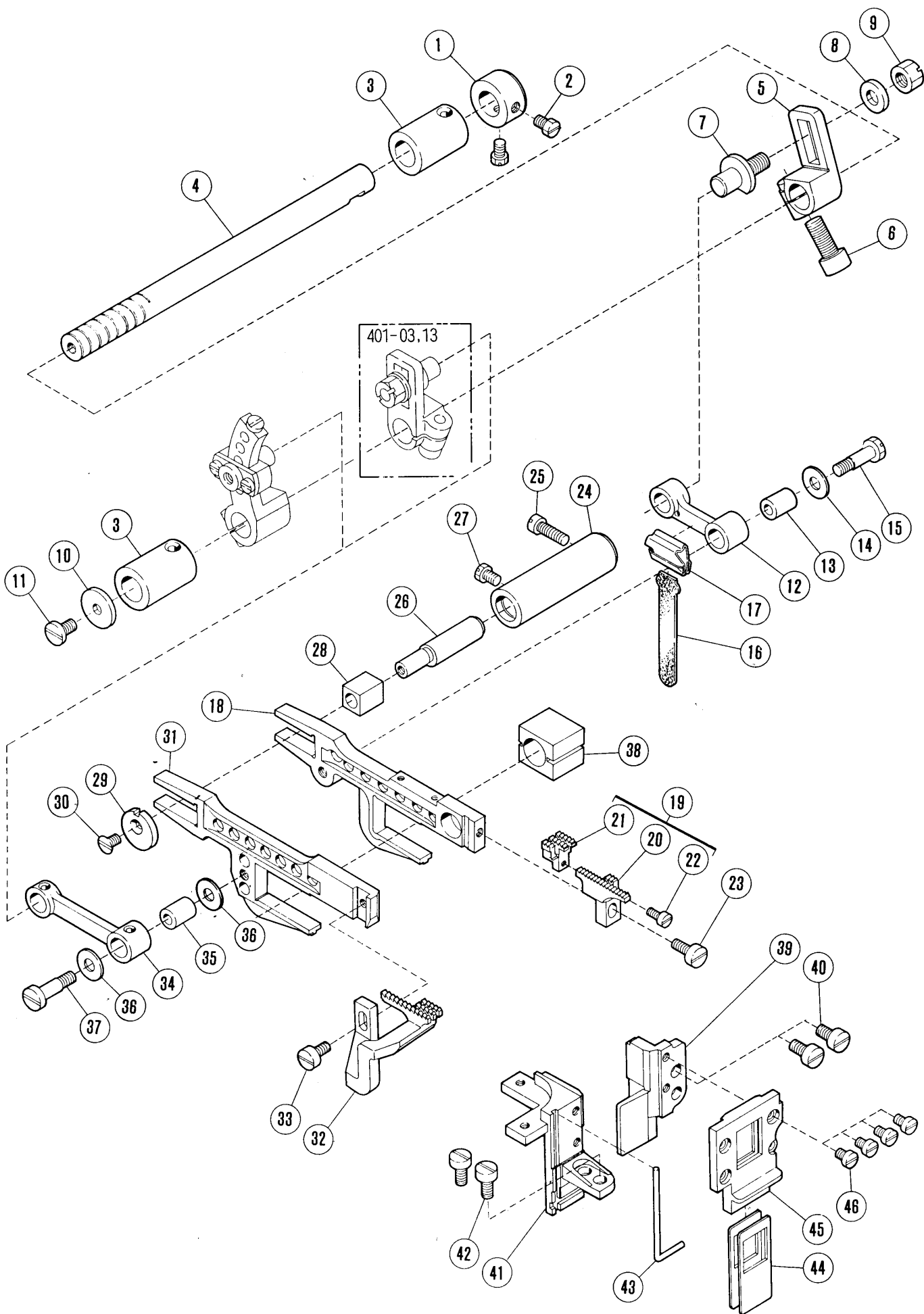
LOOPER DRIVE MECHANISM (2)

| REF. NO. | PART NO. | NAME | QT. |
|-------------|----------|----------------------------|-----|
| 1 | 201048A | THREAD EYELET | 1 |
| 2 | 167079 | THREAD EYELET | 1 |
| 3 | 5091 | SCREW | 1 |
| 4 | 204099 | PIPE | 1 |
| 5 | 1457 | SCREW | 1 |
| 6 | 3056 | NUT | 1 |
| 7 | 167077 | SPRING | 1 |
| 8 | 210319 | TENSION DISC | 1 |
| 9 | 208449 | FELT | 1 |
| 10 | 167072 | TENSION POST | 1 |
| 11 | 202849 | TENSION GUIDE | 1 |
| 12 | 201048A | THREAD EYELET | 2 |
| 13 | 167079 | THREAD EYELET | 2 |
| 14 | 5091 | SCREW | 2 |
| 15 | 204099 | PIPE | 2 |
| 16 | 1457 | SCREW | 1 |
| 17 | 206115 | HOLDER | 2 |
| 18 | 2905 | SCREW | 1 |
| 19 | 3044 | NUT | 1 |
| 20 | 3056 | NUT | 2 |
| 21 | 167077 | SPRING | 2 |
| 22 | 210319 | TENSION DISC | 4 |
| 23 | 208449 | FELT | 2 |
| 24 | 167072 | TENSION POST | 2 |
| 25 | 208363 | THREAD TENSION BRACKET | 1 |
| 26 | 3044 | NUT | 1 |
| 27 | 204874 | SHAFT/LOOPER AVOIDING | 1 |
| 28 | 201056 | COLLAR | 2 |
| 29 | 5084 | SCREW | 4 |
| 30 | 204089 | BUSHING | 1 |
| 31 | 210287 | CRANK/LOOPER AVOIDING | 1 |
| 32 | 5457 | SCREW | 1 |
| 33 | 210292 | BUSHING | 1 |
| 34 | 205088 | PLUG | 1 |
| 35 | 210285 | PIN | 1 |
| 36 | 202433 | WASHER | 1 |
| 37 | 5455 | NUT | 1 |
| 38 | 210284 | CONNECTION/LOOPER AVOIDING | 1 |
| 39 | 205015 | NEEDLE BEARING | 1 |
| 40 | 210283 | COLLAR | 1 |
| 41 | 5259 | SCREW | 2 |
| 42 | 204095A | THREAD TAKEUP | 1 |
| 43 | 5292 | SCREW | 2 |
| 44 | 204097A | BRACKET | 1 |
| 45 | 5113 | SCREW | 1 |
| 46 | 204096 | THREAD TAKEUP | 1 |
| 47 | 4009-1 | SCREW | 1 |
| 48 | 204324 | THREAD EYELET | 2 |
| 49 | 5077 | SCREW | 2 |
| 50 | 208362 | THREAD GUIDE | 1 |
| 51 | 5113 | SCREW | 1 |



FEED MECHANISM (1)

| REF. NO. | PART NO. | NAME | QT. |
|-------------|----------|---------------------------|-----|
| 1 | 204100 | CONNECTION | 1 |
| 2 | 204085 | CRANK/FEED DRIVE | 1 |
| 3 | 5381 | SCREW | 1 |
| 4 | 205495 | PIN | 1 |
| 5 | 5084 | SCREW | 1 |
| 6 | 204084 | NEEDLE BEARING | 1 |
| 7 | 210127 | ECCENTRIC/FEED DRIVE | 1 |
| 8 | 210129 | GUIDE/FEED ECCENTRIC | 1 |
| 9 | 210130 | FLAT SPRING | 1 |
| 10 | 5292 | SCREW | 1 |
| 11 | 5427 | SCREW | 1 |
| 12 | 210282A | ECCENTRIC/LOOPER AVOIDING | 1 |
| 13 | 5461 | SCREW | 2 |
| 14 | 211802A | ECCENTRIC/FEED REGULATING | 1 |
| 15 | 211804 | STOPPER | 1 |
| 16 | 5437 | SCREW | 1 |
| 17 | 208411 | FEED REGULATING RATCHET | 1 |
| 18 | 208413 | BRACKET | 1 |
| 19 | 208412 | RATCHET | 1 |
| 20 | 206781 | PIN | 2 |
| 21 | 5336 | SCREW | 1 |
| 22 | 208415 | SPRING | 2 |
| 23 | 210136 | RATCHET WHEEL COMPLETE | 1 |
| 24 | 211807 | BRACKET | 1 |
| 25 | 211806 | WHEEL | 1 |
| 26 | 5157 | SCREW | 3 |
| 27 | 5461 | SCREW | 2 |
| 28 | 208944 | SPACER | 1 |
| 29 | 209304 | PUSH BUTTON | 1 |
| 30 | 208421 | SPRING | 1 |
| 31 | 208949 | O. RING | 1 |
| 32 | 202522 | RING | 1 |

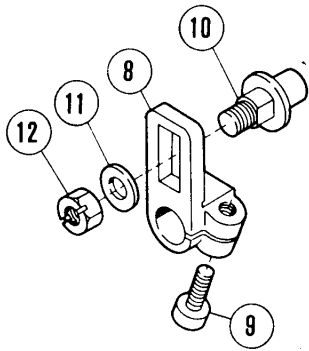


FEED MECHANISM (2)

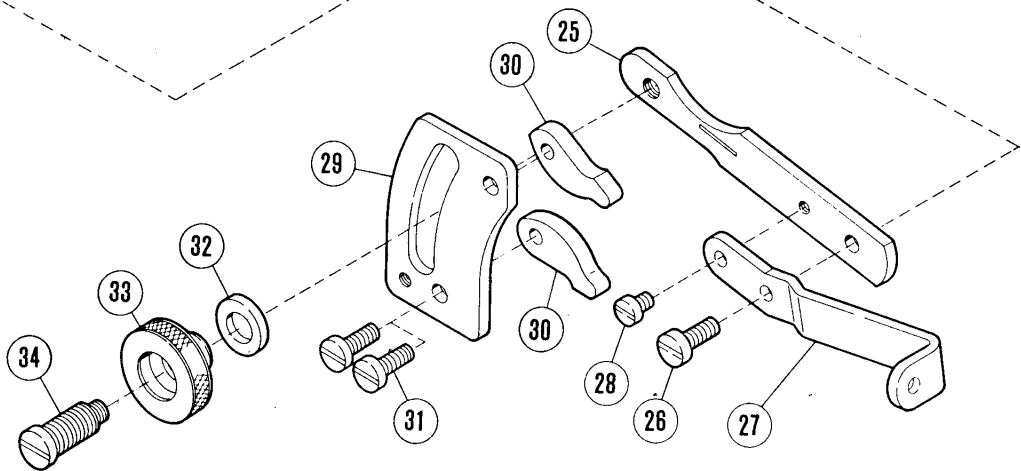
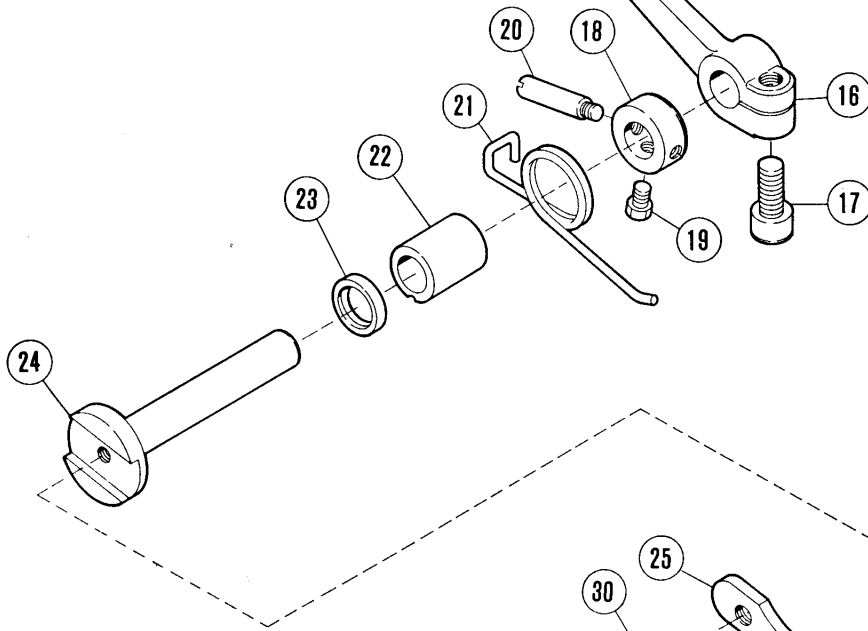
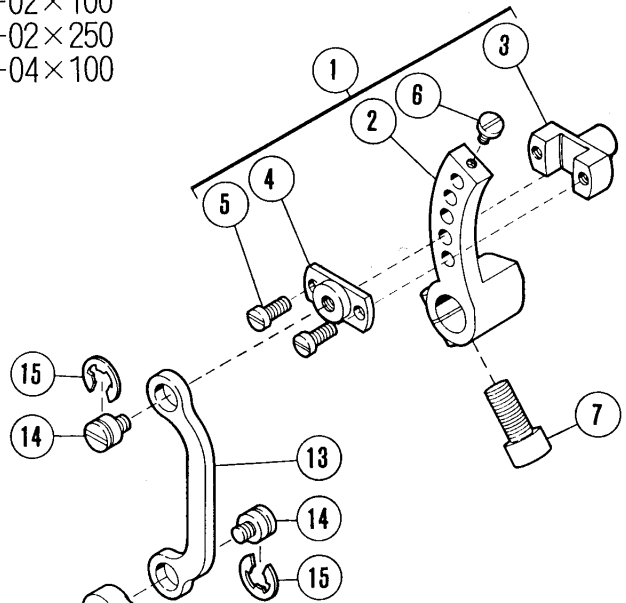
PLEASE NOTE : 「×××××」 is one of the gauge parts.
So please refer to pages 44~46 and confirm the correct parts.

| REF. NO. | PART NO. | NAME | QT. |
|----------|----------|---------------------------|-----|
| 1 | 201056 | COLLAR | 1 |
| 2 | 5084 | SCREW | 2 |
| 3 | 209169 | BUSHING | 2 |
| 4 | 204751 | SHAFT | 1 |
| 5 | 208284 | CRANK/MAIN FEED | 1 |
| 6 | 5381 | SCREW | 1 |
| 7 | 208285 | SCREW | 1 |
| 8 | 208286 | WASHER | 1 |
| 9 | 5455 | NUT | 1 |
| 10 | 204107 | WASHER | 1 |
| 11 | 4009-1 | SCREW | 1 |
| 12 | 204111A | LINK/MAIN FEED | 1 |
| 13 | 204114 | BUSHING | 1 |
| 14 | 204115 | WASHER | 1 |
| 15 | 5231 | SCREW | 1 |
| 16 | 204618 | OIL WICK | 1 |
| 17 | 204588 | RETAINER | 1 |
| 18 | 204123A | MAIN FEED BAR | 1 |
| 19 | XXXXXX | MAIN FEED DOG COMPLETE | 1 |
| 20 | XXXXXX | MAIN FEED DOG | 1 |
| 21 | XXXXXX | AUXILIARY FEED DOG | 1 |
| 22 | 2922 | SCREW | 1 |
| 23 | 1175-2 | SCREW | 1 |
| 24 | 204129A | BUSHING | 1 |
| 25 | 2133-1 | SCREW | 1 |
| 26 | 204128A | PIN | 1 |
| 27 | 5084 | SCREW | 1 |
| 28 | 205857 | BLOCK/FEED BAR GUIDE | 1 |
| 29 | 204439A | WASHER | 1 |
| 30 | 5317 | SCREW | 1 |
| 31 | 204124 | DIFFERENTIAL FEED BAR | 1 |
| 32 | XXXXXX | DIFFERENTIAL FEED DOG | 1 |
| 33 | 1189 | SCREW | 1 |
| 34 | 204122 | LINK/DIFFERENTIAL FEED | 1 |
| 35 | 204114 | BUSHING | 1 |
| 36 | 204115 | WASHER | 2 |
| 37 | 5231 | SCREW | 1 |
| 38 | 204810 | BLOCK/FEED BAR LIFT | 1 |
| 39 | 208108 | GUIDE (RIGHT)/FEED BAR | 1 |
| 40 | 5205 | SCREW | 2 |
| 41 | 208952 | GUIDE (LEFT)/FEED BAR | 1 |
| 42 | 5205 | SCREW | 2 |
| 43 | 208168 | GASKET | 1 |
| 44 | 208109 | OIL SHIELD/FEED BAR GUIDE | 2 |
| 45 | 208625 | INSERT PLATE | 1 |
| 46 | 5346 | SCREW | 4 |

401-03×100
401-13×100



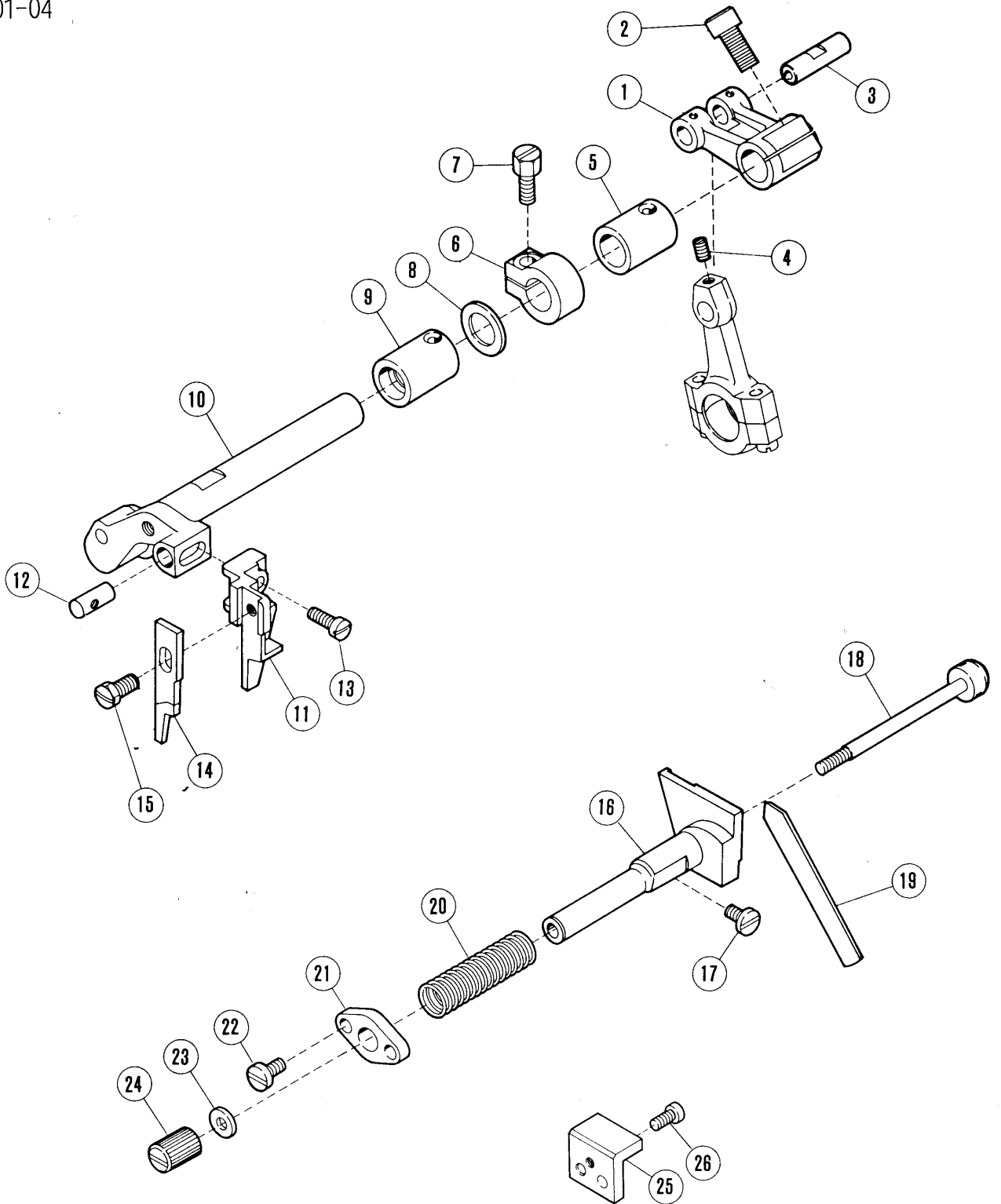
401-02×100
401-02×250
401-04×100



FEED MECHANISM (3)

| REF. NO. | PART NO. | NAME | QT. |
|-------------|----------|-------------------------------|-----|
| 1 | 208273 | REGULATOR COMPLETE/DIFF. FEED | 1 |
| 2 | 208274 | CRANK | 1 |
| 3 | 208275 | BLOCK | 1 |
| 4 | 208276 | COVER | 1 |
| 5 | 5029 | SCREW | 2 |
| 6 | 5141 | SCREW | 1 |
| 7 | 5381 | SCREW | 1 |
| 8 | 208755 | CRANK/DIFFERENTIAL FEED | 1 |
| 9 | 5381 | SCREW | 1 |
| 10 | 208285 | SCREW | 1 |
| 11 | 208286 | WASHER | 1 |
| 12 | 5455 | NUT | 1 |
| 13 | 204140A | LINK/DIFF. FEED REGULATING | 1 |
| 14 | 5316 | SCREW | 2 |
| 15 | 202522 | RING | 2 |
| 16 | 204139A | LEVER/DIFF. FEED REGULATING | 1 |
| 17 | 5381 | SCREW | 1 |
| 18 | 204754A | COLLAR | 1 |
| 19 | 5084 | SCREW | 1 |
| 20 | 204757 | PIN | 1 |
| 21 | 204756 | SPRING | 1 |
| 22 | 210164 | BUSHING | 1 |
| 23 | 204052A | OIL SEAL | 1 |
| 24 | 204752 | SHAFT | 1 |
| 25 | 204755 | LEVER/DIFF. FEED REGULATING | 1 |
| 26 | 5118 | SCREW | 1 |
| 27 | 204883 | LEVER | 1 |
| 28 | 1216 | SCREW | 1 |
| 29 | 204142B | REGULATING PLATE | 1 |
| 30 | 204143A | STOPPER | 2 |
| 31 | 5118 | SCREW | 2 |
| 32 | 202868 | WASHER | 1 |
| 33 | 204870 | THUMB NUT | 1 |
| 34 | 5321A | SCREW | 1 |

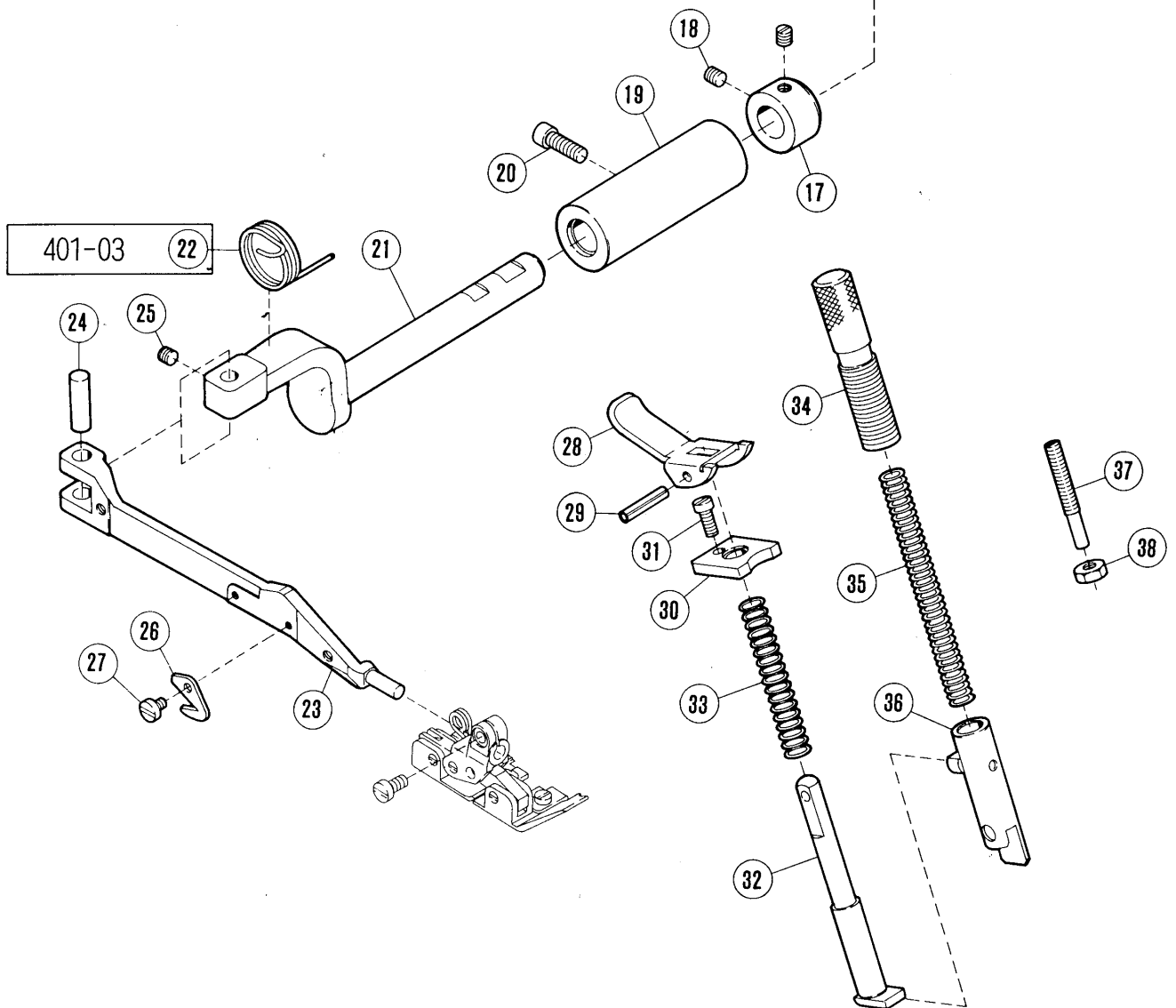
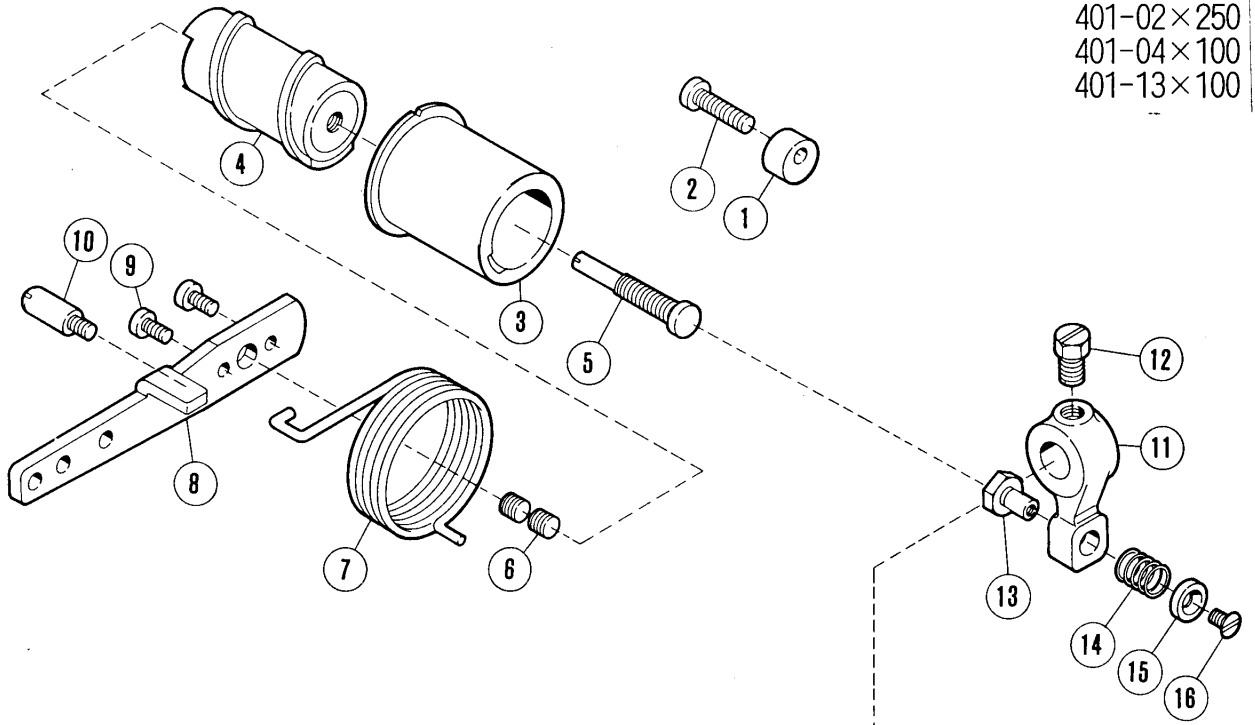
401-02
401-04



KNIFE DRIVE MECHANISM

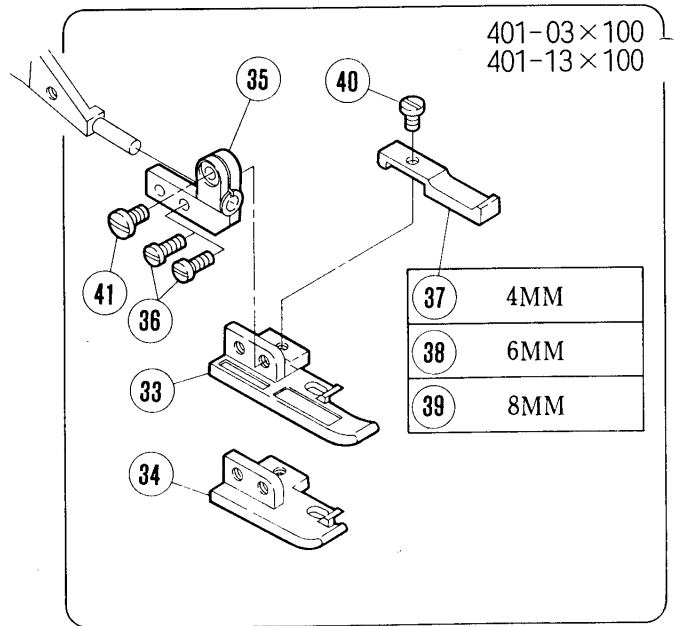
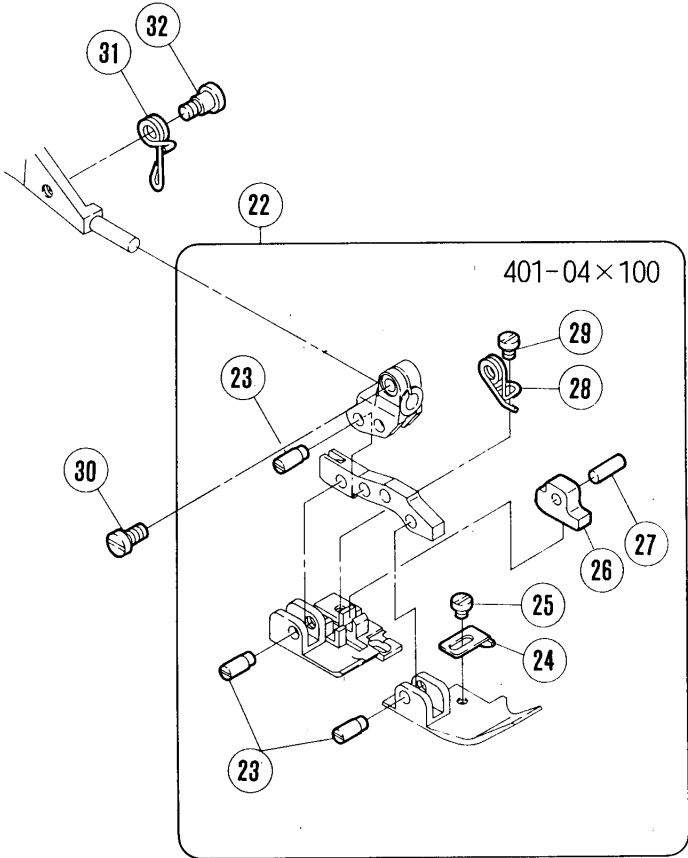
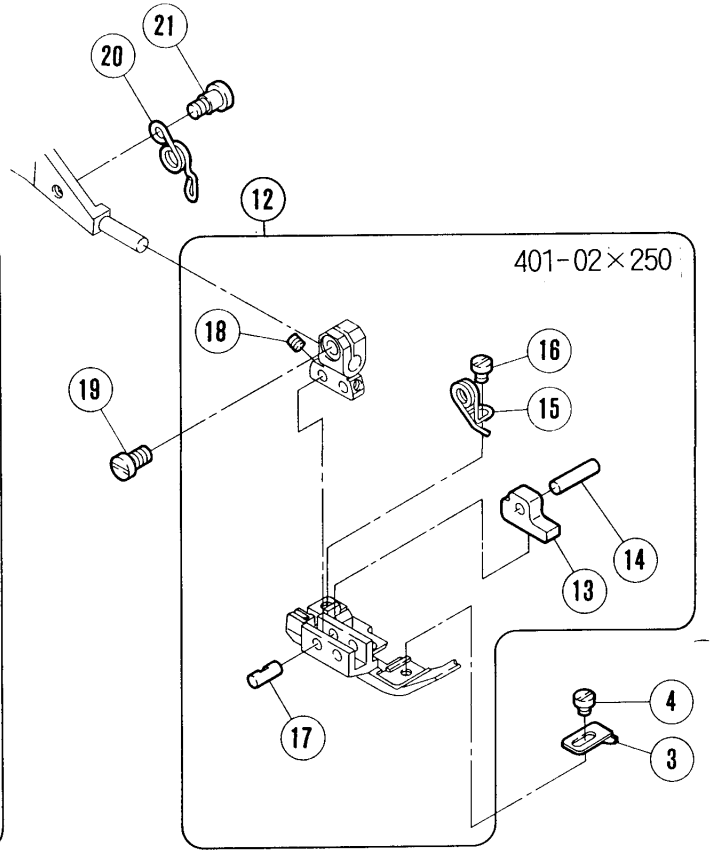
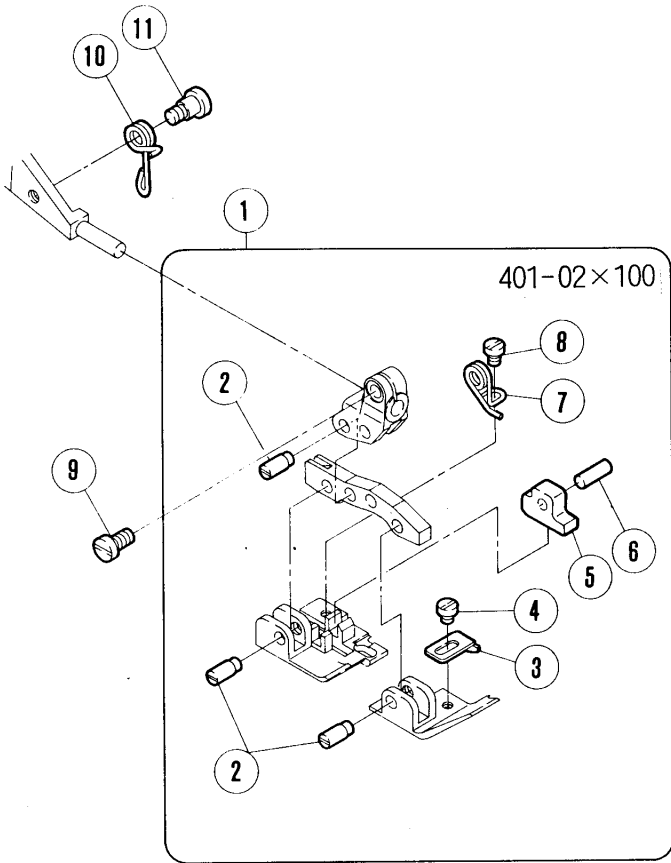
| REF. NO. | PART NO. | NAME | QT. |
|----------|----------|------------------------|-----|
| 1 | 204147 | CRANK/UPPER KNIFE | 1 |
| 2 | 5381 | SCREW | 1 |
| 3 | 204146 | PIN | 1 |
| 4 | 1458 | SCREW | 1 |
| 5 | 210067 | BUSHING | 1 |
| 6 | 206181B | COLLAR | 1 |
| 7 | 5001 | SCREW | 1 |
| 8 | 208235 | WASHER | 1 |
| 9 | 204149 | BUSHING | 1 |
| 10 | 208696 | UPPER KNIFE LEVER | 1 |
| 11 | 208578 | UPPER KNIFE CLAMP | 1 |
| 12 | 208579 | PIN | 1 |
| 13 | 5118 | SCREW | 1 |
| 14 | 202527A | UPPER KNIFE (NARROW) | 1 |
| 15 | 5088 | SCREW | 1 |
| 16 | 208580 | LOWER KNIFE HOLDER | 1 |
| 17 | 4009-1 | SCREW | 1 |
| 18 | 204162 | CLAMP STUD/LOWER KNIFE | 1 |
| 19 | 208393 | LOWER KNIFE | 1 |
| 20 | 204158 | SPRING | 1 |
| 21 | 204159 | STOPPER | 1 |
| 22 | 5117 | SCREW | 1 |
| 23 | 200098 | WASHER | 1 |
| 24 | 5260 | NUT | 1 |
| 25 | 204160A | GUIDE/LOWER BAR | 1 |
| 26 | 1175-2 | SCREW | 1 |

401-02×100
 401-02×250
 401-04×100
 401-13×100



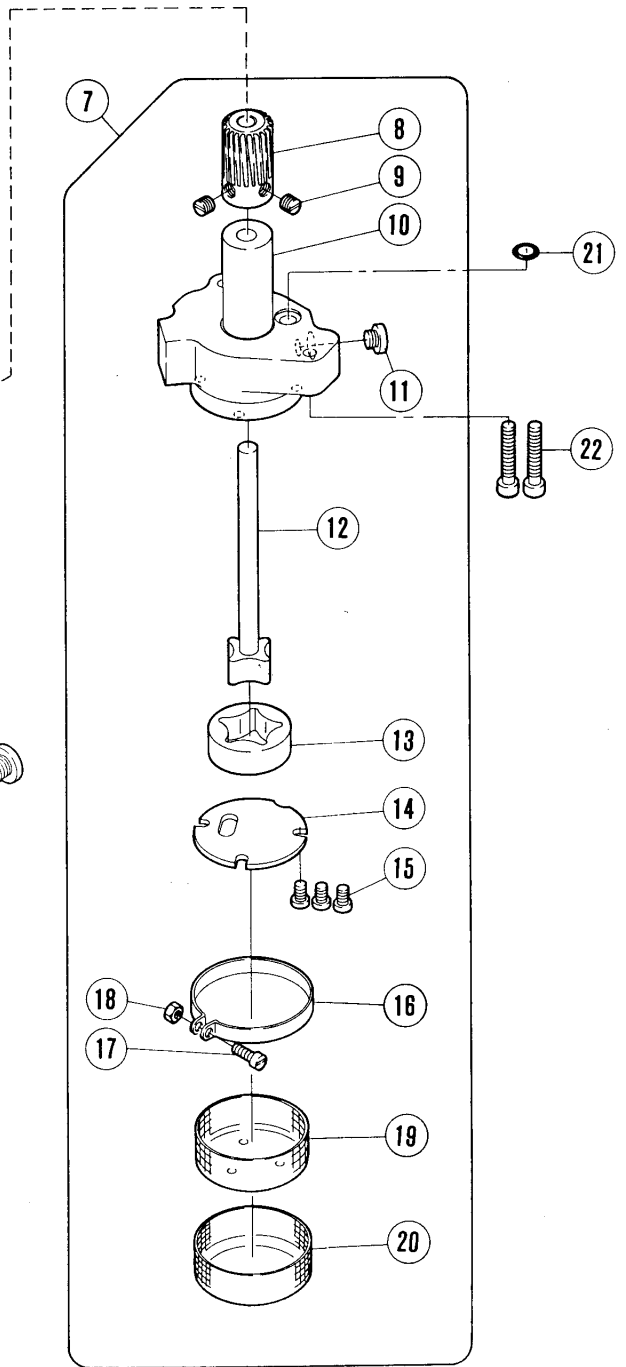
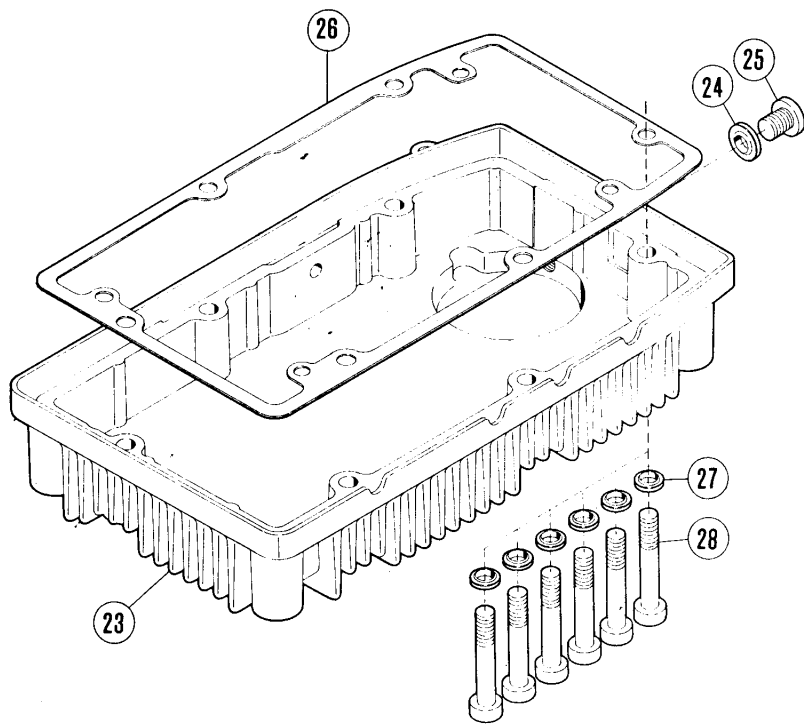
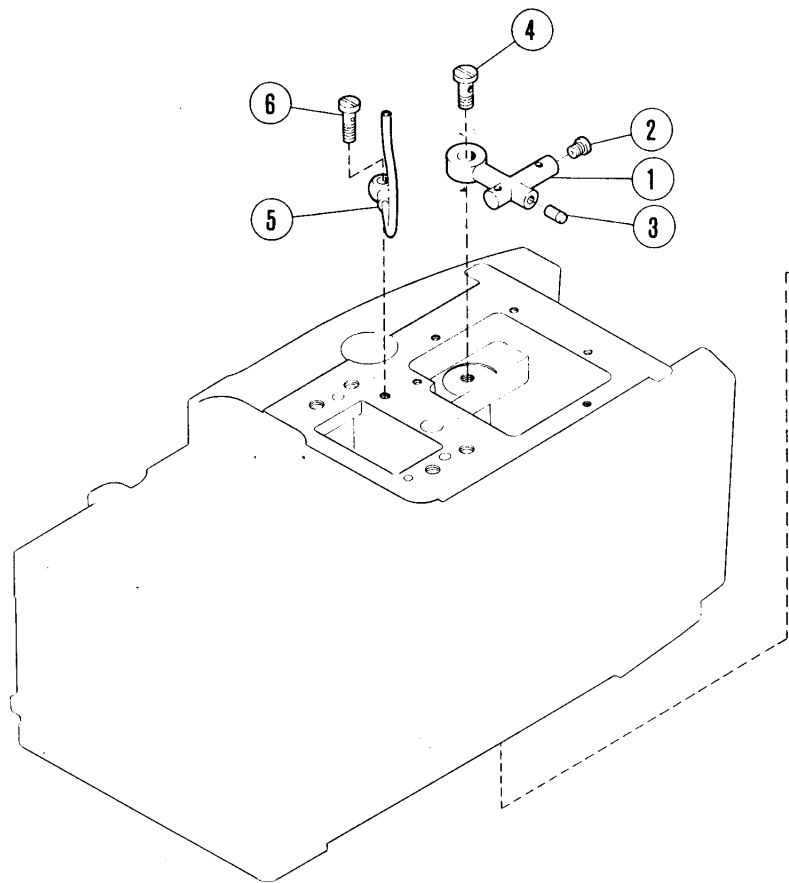
PRESSER FOOT MECHANISM (1)

| REF. NO. | PART NO. | NAME | QT. |
|-------------|----------|----------------------|-----|
| 1 | 202683 | STOPPER | 1 |
| 2 | 5152 | SCREW | 1 |
| 3 | 204930 | BUSHING | 1 |
| 4 | 204929 | FOOT LIFT CAM | 1 |
| 5 | 208316 | SCREW | 1 |
| 6 | 2913-2 | SCREW | 2 |
| 7 | 204178 | SPRING | 1 |
| 8 | 204177B | LEVER/FOOT LIFT | 1 |
| 9 | 1202 | SCREW | 2 |
| 10 | 5232 | SCREW | 1 |
| 11 | 208313 | LEVER/INTERMEDIATE | 1 |
| 12 | 2022-4 | SCREW | 1 |
| 13 | 208314 | PIN | 1 |
| 14 | 208315 | SPRING | 1 |
| 15 | 202757A | WASHER | 1 |
| 16 | 5317 | SCREW | 1 |
| 17 | 201056 | COLLAR | 1 |
| 18 | 1457 | SCREW | 2 |
| 19 | 208535 | BUSHING | 1 |
| 20 | 2133-1 | SCREW | 1 |
| 21 | 208534 | SHAFT/FOOT LIFT | 1 |
| 22 | 208637 | SPRING | 1 |
| 23 | 208526 | PRESSER ARM | 1 |
| 24 | 208549 | PIN | 1 |
| 25 | 1457 | SCREW | 1 |
| 26 | 202451 | CHAIN CUTTER | 1 |
| 27 | 2921 | SCREW | 1 |
| 28 | 211657 | LEVER/HAND LIFT | 1 |
| 29 | 202647A | PIN | 1 |
| 30 | 208599 | BUSHING | 1 |
| 31 | 5029 | SCREW | 1 |
| 32 | 202645 | PLUNGER | 1 |
| 33 | 201395 | SPRING | 1 |
| 34 | 208774 | THUMB SCREW | 1 |
| 35 | 208773 | SPRING | 1 |
| 36 | 208537 | PRESSER BAR COMPLETE | 1 |
| 37 | 5271 | SCREW | 1 |
| 38 | 3044 | NUT | 1 |



PRESSER FOOT MECHANISM (2)

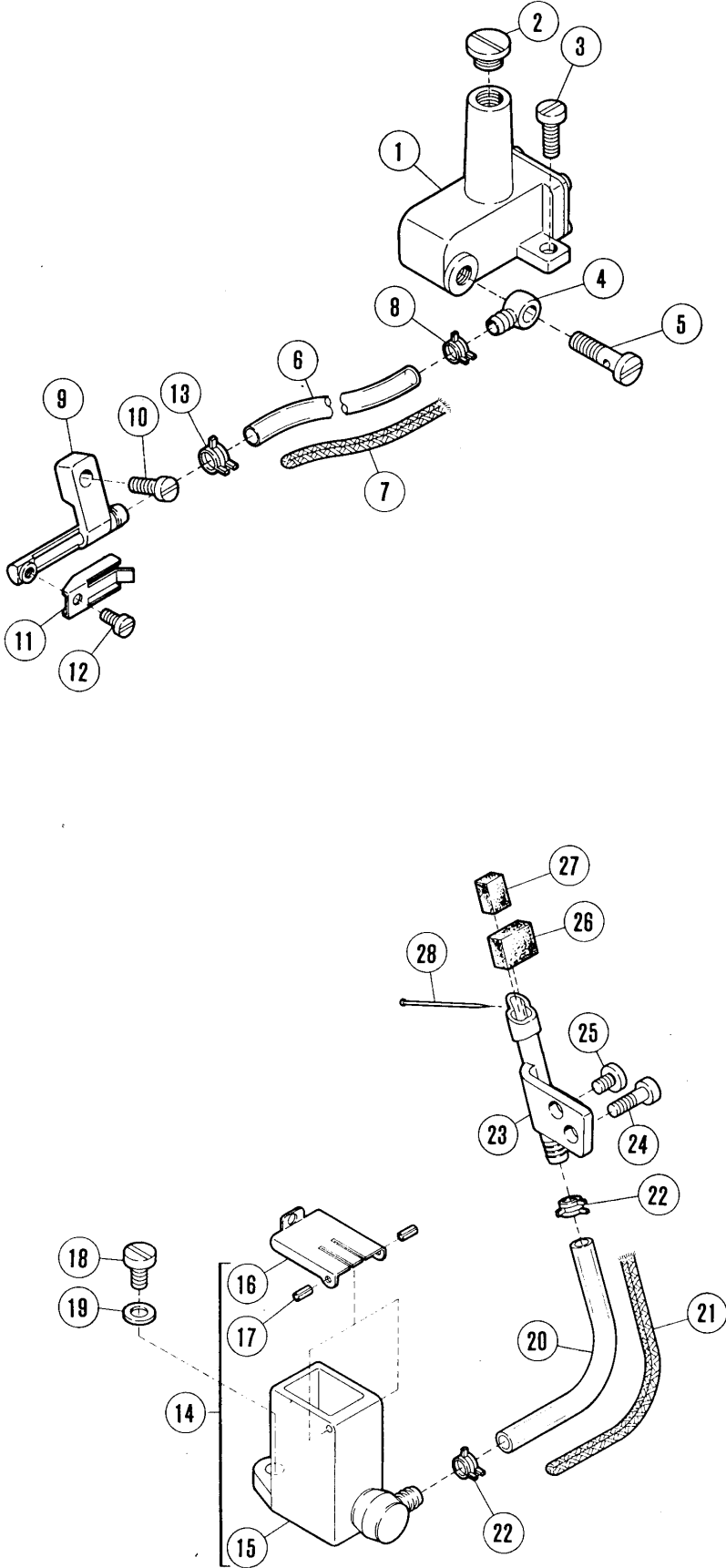
| REF. NO. | PART NO. | NAME | QT. |
|-------------|----------|--------------------------------|-----|
| 1 | 209238 | PRESSER FOOT COMPLETE | 1 |
| 2 | 208958-B | SCREW | 3 |
| 3 | 208575 | FABRIC GUARD | 1 |
| 4 | 5030 | SCREW | 1 |
| 5 | 208899 | CLAMP/THREAD CHAIN | 1 |
| 6 | 208900 | PIN | 1 |
| 7 | 208374 | SPRING | 1 |
| 8 | 1231 | SCREW | 1 |
| 9 | 5328 | SCREW | 1 |
| 10 | 208978 | SPRING | 1 |
| 11 | 5291 | SCREW | 1 |
| 12 | 209241 | PRESSER FOOT COMPLETE/2-NEEDLE | 1 |
| 13 | 209243 | CLAMP/THREAD CHAIN | 1 |
| 14 | 208395 | PIN | 1 |
| 15 | 208374 | SPRING | 1 |
| 16 | 1231 | SCREW | 1 |
| 17 | 208527 | PIN | 1 |
| 18 | 5223 | SCREW | 1 |
| 19 | 5328 | SCREW | 1 |
| 20 | 208529 | SPRING | 1 |
| 21 | 5291 | SCREW | 1 |
| 22 | 209233 | PRESSER FOOT COMPLETE | 1 |
| 23 | 208958-B | SCREW | 3 |
| 24 | 208575 | FABRIC GUARD | 1 |
| 25 | 5030 | SCREW | 1 |
| 26 | 208899 | CLAMP/THREAD CHAIN | 1 |
| 27 | 208900 | PIN | 1 |
| 28 | 208374 | SPRING | 1 |
| 29 | 1231 | SCREW | 1 |
| 30 | 5328 | SCREW | 1 |
| 31 | 208978 | SPRING | 1 |
| 32 | 5291 | SCREW | 1 |
| 33 | 208767 | PRESSER FOOT (LONG) | 1 |
| 34 | 208632 | PRESSER FOOT (SHORT) | 1 |
| 35 | 208636 | BRACKET/PRESSER FOOT | 1 |
| 36 | 1196 | SCREW | 2 |
| 37 | 208768 | SHOE/PRESSER FOOT (4) | 1 |
| 38 | 208769 | SHOE/PRESSER FOOT (6) | 1 |
| 39 | 208770 | SHOE/PRESSER FOOT (8) | 1 |
| 40 | 1229 | SCREW | 1 |
| 41 | 5328 | SCREW | 1 |



LUBRICATION MECHANISM

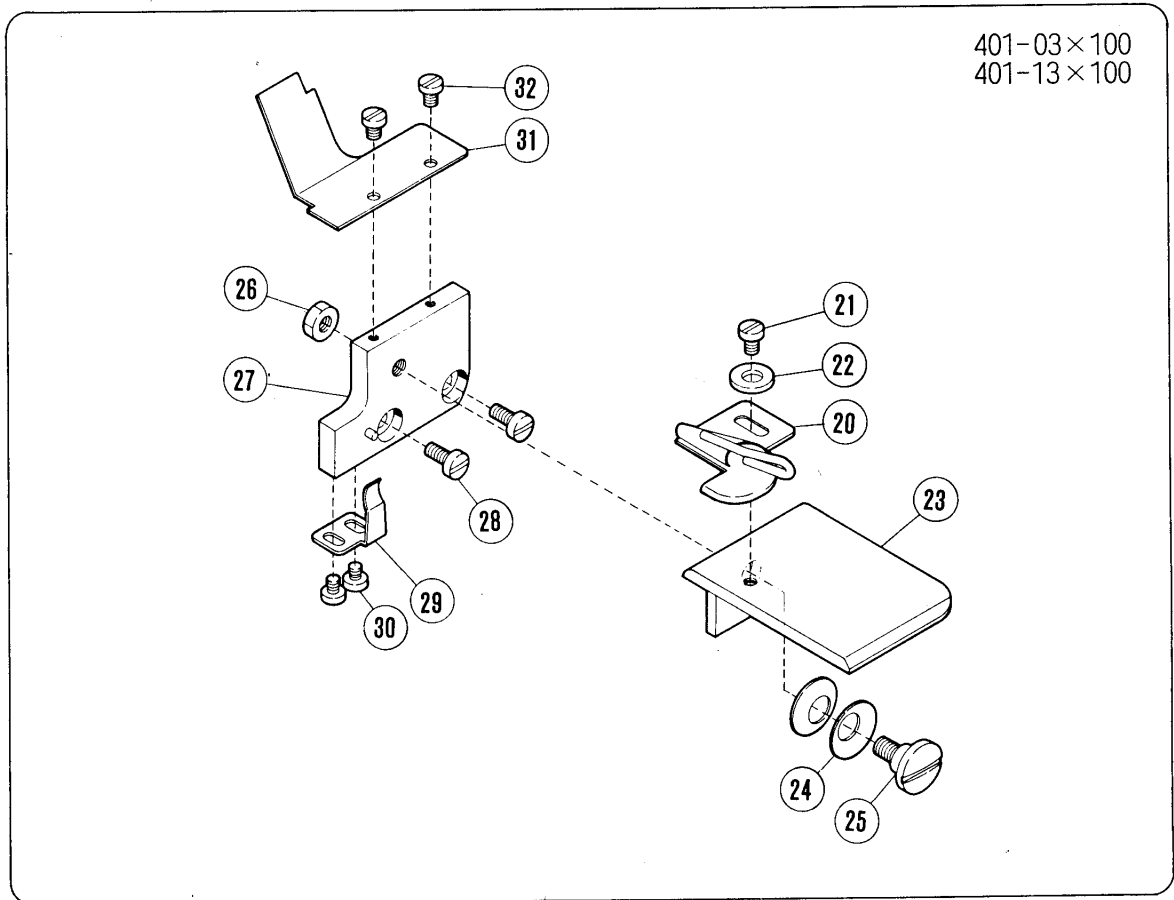
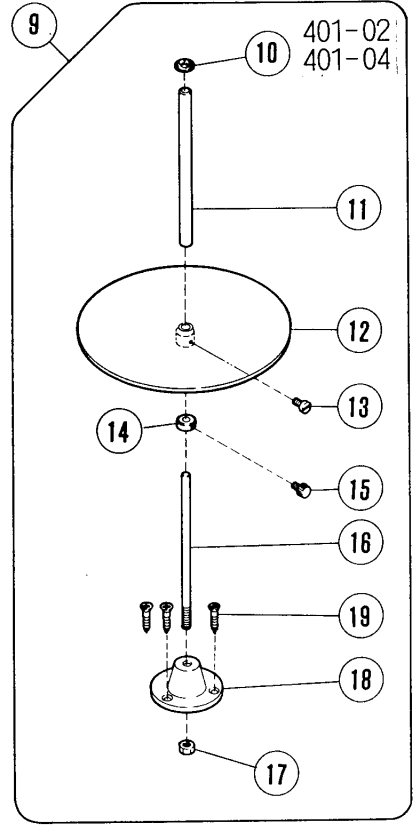
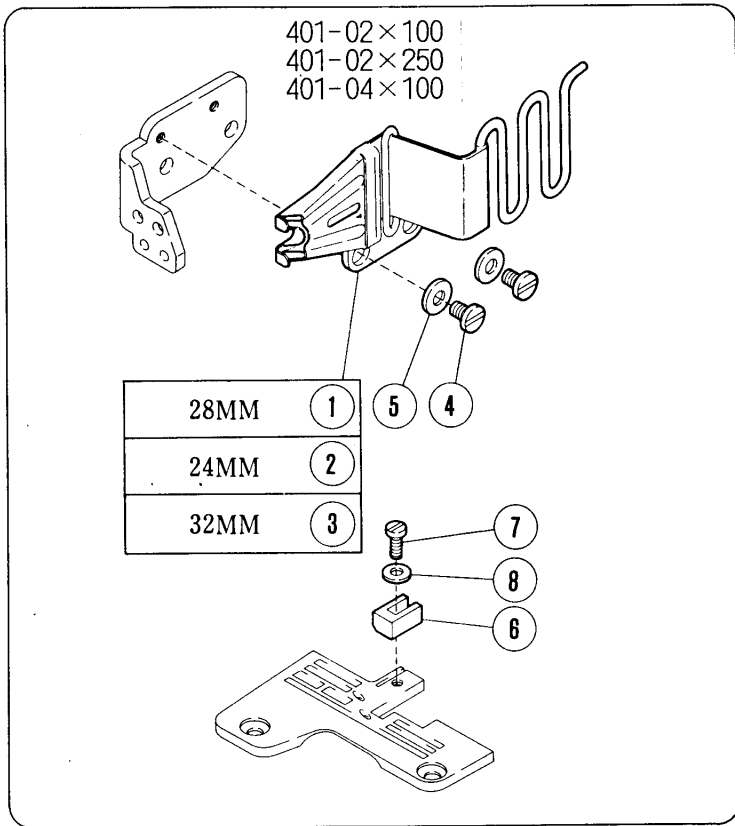
| REF. NO. | PART NO. | NAME | QT. |
|-------------|-----------|------------------------|-----|
| 1 | 204193 | OIL DISTRIBUTOR | 1 |
| 2 | 201323 | SCREW | 1 |
| 3 | 202903 | PLUG | 1 |
| 4 | 200152 | JOINT SCREW | 1 |
| 5 | 204194 | PIPE COMPLETE | 1 |
| 6 | 201758 | JOINT SCREW | 1 |
| 7 | 204593 | TROCHOID PUMP ASSEMBLY | 1 |
| 8 | 204187 | WORM WHEEL | 1 |
| 9 | 5060 | SCREW | 2 |
| 10 | 209407 | TROCHOID PUMP | 1 |
| 11 | 5145 | SCREW | 1 |
| 12 | 212978-91 | ROTOR (INSIDE) SHAFT | 1 |
| 13 | 212981 | ROTOR (OUTSIDE) | 1 |
| 14 | 212982A | PLATE | 1 |
| 15 | 5328 | SCREW | 3 |
| 16 | 209410 | CLAMP | 1 |
| 17 | 1170-1 | SCREW | 1 |
| 18 | 3091 | NUT | 1 |
| 19 | 209408 | FILTER (INSIDE) | 1 |
| 20 | 209409 | FILTER (OUTSIDE) | 1 |
| 21 | 204185 | O RING | 1 |
| 22 | 5095 | SCREW | 2 |
| 23 | 208260 | OIL RESERVOIR | 1 |
| 24 | 202287A | WASHER | 1 |
| 25 | 5138B | SCREW | 1 |
| 26 | 208318 | GASKET | 1 |
| 27 | 204806 | WASHER | 6 |
| 28 | 5150B | BOLT | 6 |

OPTION



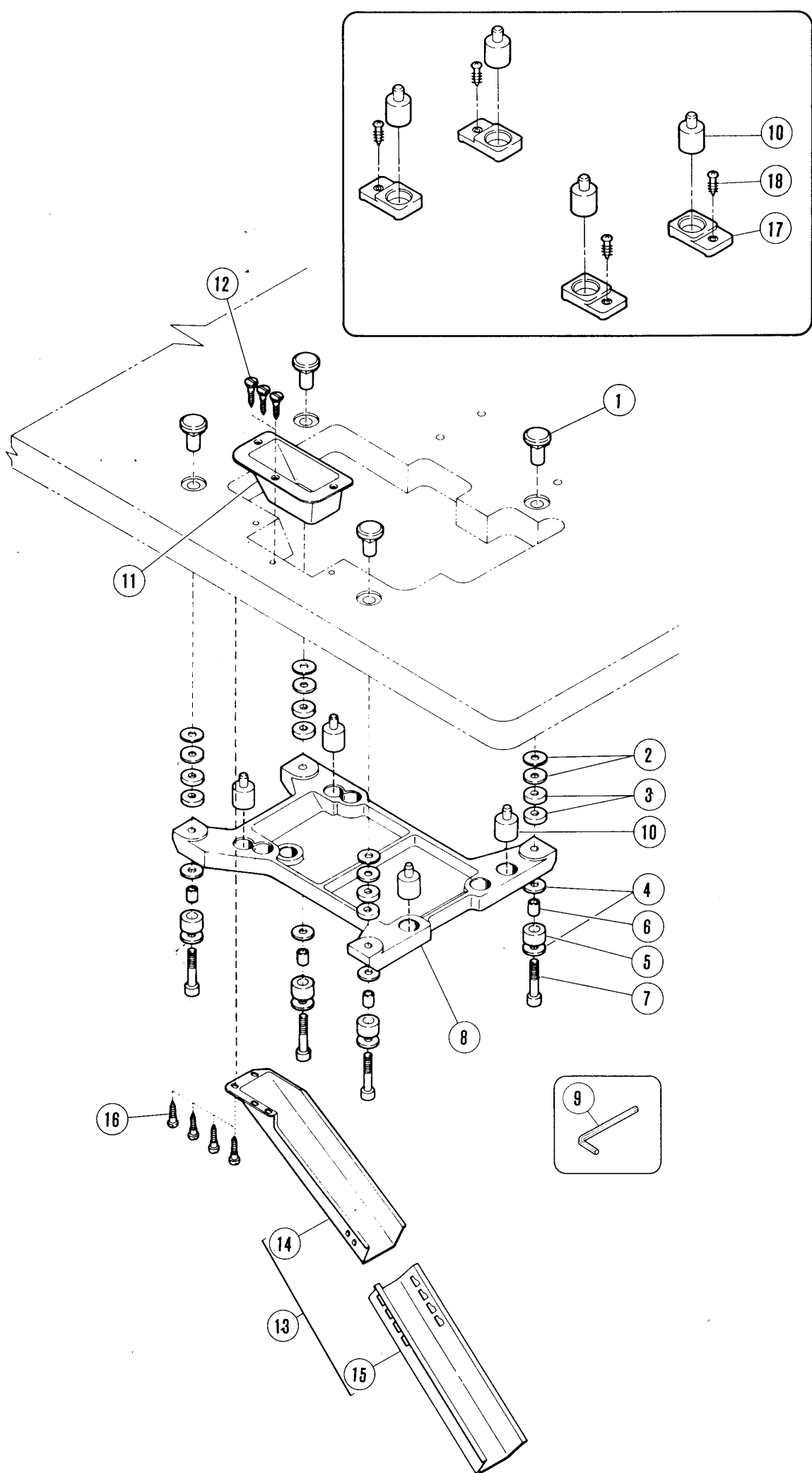
H. R. DEVICE (OPTION)

| REF. NO. | PART NO. | NAME | QT. |
|-------------|-----------|--------------------------------|-----|
| 1 | 208308 | SILICONE OIL RESERVOIR (UPPER) | 1 |
| 2 | 5242 | SCREW | 1 |
| 3 | 5118 | SCREW | 1 |
| 4 | 200136 | JOINT | 1 |
| 5 | 200152 | JOINT SCREW | 1 |
| 6 | 204921 | TUBE | 1 |
| 7 | 202176 | OIL WICK | 1 |
| 8 | 200155 | TUBE CLAMP | 1 |
| 9 | 208486 | THREAD LUBRICATOR | 1 |
| 10 | 5345 | SCREW | 1 |
| 11 | 208487 | PLATE | 1 |
| 12 | 5012 | SCREW | 1 |
| 13 | 202199 | CLAMP | 1 |
| 14 | 209411-91 | SILICONE OIL RESERVOIR (LOWER) | 1 |
| 15 | 209412-91 | SILICONE OIL RESERVOIR (LOWER) | 1 |
| 16 | 204862 | CAP COVER | 1 |
| 17 | 206781 | PIN | 2 |
| 18 | 5345 | SCREW | 1 |
| 19 | 201185 | WASHER | 1 |
| 20 | 204921 | TUBE | 1 |
| 21 | 202176 | OIL WICK | 1 |
| 22 | 200155 | TUBE CLAMP | 2 |
| 23 | 208387 | NEEDLE LUBRICATOR | 1 |
| 24 | 5010 | SCREW | 1 |
| 25 | 1216 | SCREW | 1 |
| 26 | 204466 | OIL WICK | 1 |
| 27 | 240178 | OIL FELT | 1 |
| 28 | 210766 | PIN | 1 |



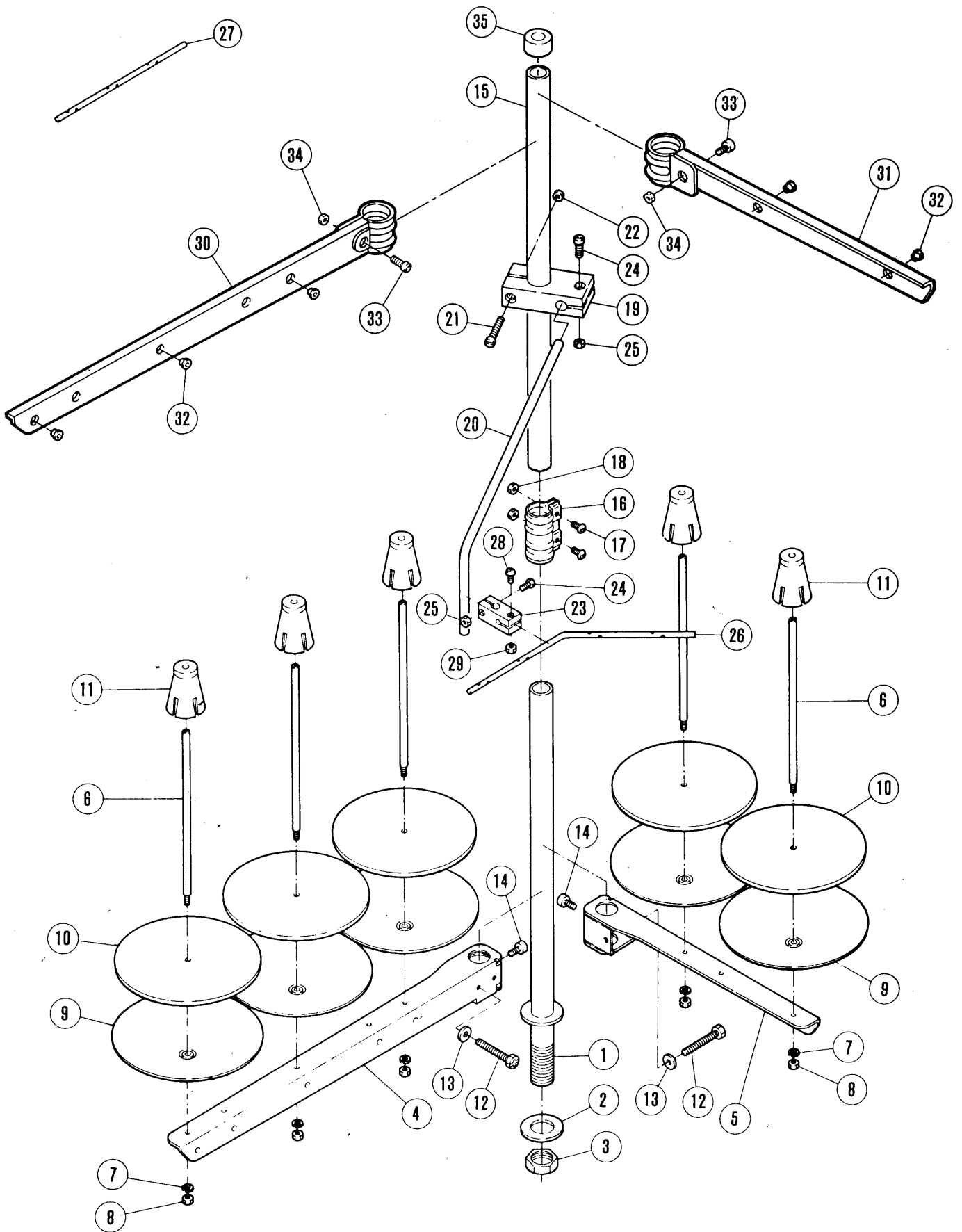
ATTACHMENT

| REF. NO. | PART NO. | NAME | QT. |
|-------------|----------|-----------------------|-----|
| 1 | 208389 | BINDER COMPLETE (28) | 1 |
| 2 | 208390 | BINDER COMPLETE (24) | 1 |
| 3 | 208757 | BINDER COMPLETE (32) | 1 |
| 4 | 1216 | SCREW | 2 |
| 5 | 137142 | WASHER | 2 |
| 6 | 208569 | TAPE GUIDE | 1 |
| 7 | 2918 | SCREW | 1 |
| 8 | 202875 | WASHER | 1 |
| 9 | 403 | TAPE DISC ASSEMBLY | 1 |
| 10 | 406 | FELT | 1 |
| 11 | 405 | FIXING ROD | 1 |
| 12 | 404 | TAPE DISC | 1 |
| 13 | 4012 | SCREW | 1 |
| 14 | 407 | COLLAR | 1 |
| 15 | 408 | ADJUSTING SCREW | 1 |
| 16 | 409 | SHAFT | 1 |
| 17 | 4818 | NUT | 1 |
| 18 | 410-JA | BRACKET | 1 |
| 19 | 4908 | SCREW | 3 |
| 20 | 208638 | BINDER COMPLETE | 1 |
| 21 | 1216 | SCREW | 1 |
| 22 | 137142 | WASHER | 1 |
| 23 | 208642 | BRACKET/BINDER | 1 |
| 24 | 204888 | SPRING | 2 |
| 25 | 5380 | SCREW | 1 |
| 26 | 5104 | NUT | 1 |
| 27 | 208643 | BRACKET BASE COMPLETE | 1 |
| 28 | 5117 | SCREW | 2 |
| 29 | 202689 | FLAT SPRING | 1 |
| 30 | 1234 | SCREW | 2 |
| 31 | 208646 | CHIP CHUTE | 1 |
| 32 | 1234 | SCREW | 2 |



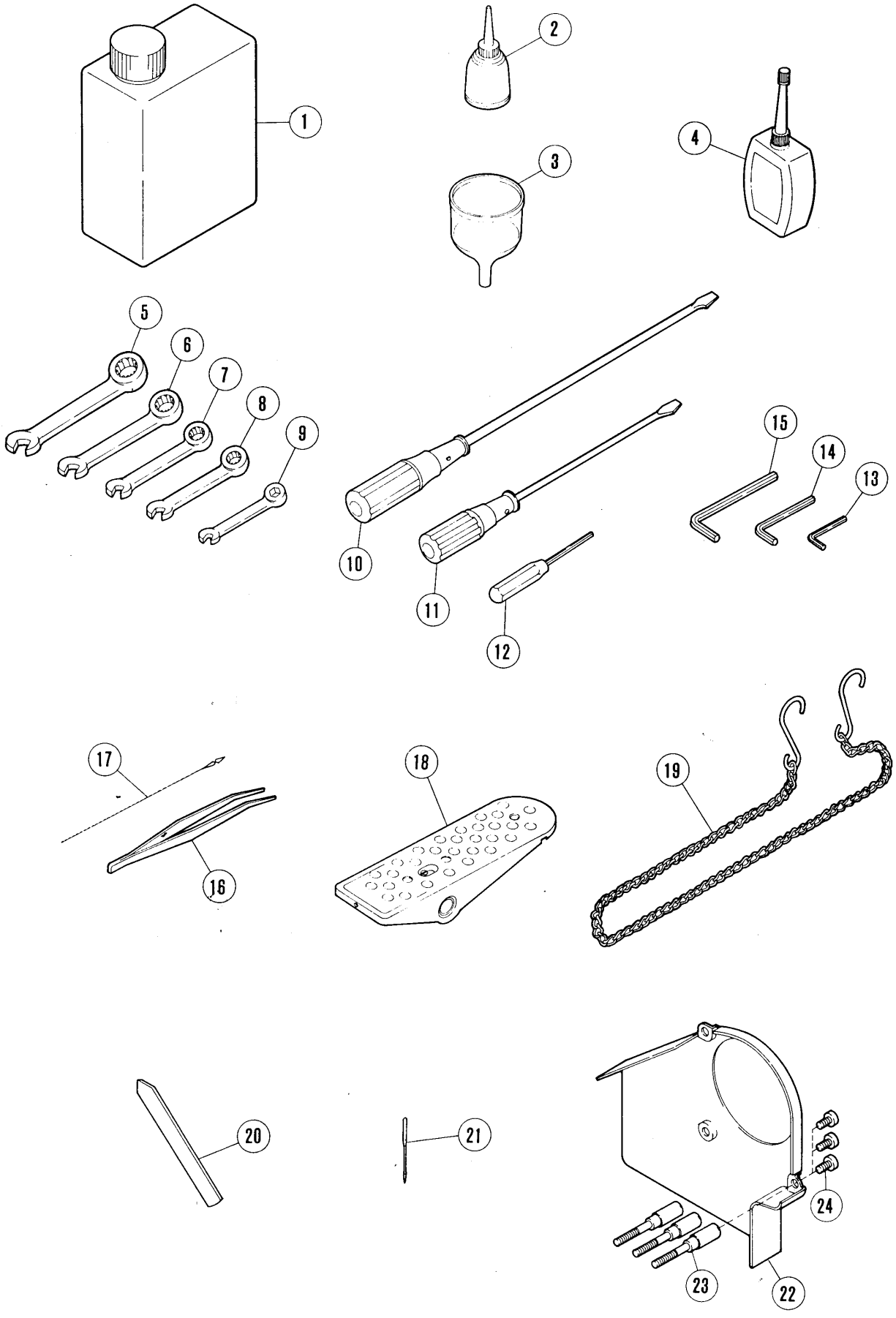
PARTS FOR SEMI-SUBMERGED INSTALLATION

| REF. NO. | PART NO. | NAME | QT. |
|-------------|-----------|------------------------|-----|
| 1 | 206336 | NUT | 4 |
| 2 | 206337 | WASHER | 8 |
| 3 | 205467 | SPACER | 8 |
| 4 | 206337 | WASHER | 8 |
| 5 | 205764 | CUSHION RUBBER | 4 |
| 6 | 205765 | LINER | 4 |
| 7 | 4512 | SCREW | 4 |
| 8 | 205466 | MACHINE REST BOARD | 1 |
| 9 | 272 | ALLEN KEY/6MM | 1 |
| 10 | 205473 | CUSHION RUBBER | 4 |
| 11 | 205470-JA | WASTE CHUTE TOP | 1 |
| 12 | 4904 | SCREW | 3 |
| 13 | 9050 | WASTE CHUTE SET | 1 |
| 14 | 205468-JA | WASTE CHUTE TOP | 1 |
| 15 | 205469-JA | WASTE CHUTE TOP (B) | 1 |
| 16 | 4905 | SCREW | 4 |
| 17 | 208756 | BRACKET/CUSHION RUBBER | 4 |
| 18 | 4905 | SCREW | 4 |



THREAD STAND

| REF. NO. | PART NO. | NAME | QT. | |
|-------------|----------|------------------------------|-----|---|
| | 486C9C | THREAD STAND ASS. (3-SPOOLS) | 1 | |
| | 486B9C | THREAD STAND ASS. (4-SPOOLS) | | 1 |
| 1 | 503-CA | THREAD STAND ROD (LOWER) | 1 | 1 |
| 2 | 509 | WASHER | 1 | 1 |
| 3 | 5476 | NUT | 1 | 1 |
| 4 | 505-CA | BRACKET | 1 | |
| 5 | 505ACA | BRACKET | | 2 |
| 6 | 380A | SPOOL PIN | 3 | 4 |
| 7 | 201252 | SPRING WASHER | 3 | 4 |
| 8 | 4803 | NUT | 3 | 4 |
| 9 | 381-CA | SPOOL TRAY | 3 | 4 |
| 10 | 507 | CUSHION | 3 | 4 |
| 11 | 382-CA | SPOOL RETAINING FIN | 3 | 4 |
| 12 | 7102 | SCREW | 1 | 2 |
| 13 | 512 | WASHER | 1 | 2 |
| 14 | 4022 | SCREW | 1 | 2 |
| 15 | 502-CA | THREAD STAND ROD (UPPER) | 1 | 1 |
| 16 | 504-CA | JOINT | 1 | 1 |
| 17 | 4021 | SCREW | 2 | 2 |
| 18 | 4805 | NUT | 2 | 2 |
| 19 | 383-CA | BRACKET | 1 | 1 |
| 20 | 384 | THREAD GUIDE BAR ROD | 1 | 1 |
| 21 | 4014 | SCREW | 1 | 1 |
| 22 | 4803 | NUT | 1 | 1 |
| 23 | 233-CA | HOLDER | 1 | 1 |
| 24 | 4012 | SCREW | 2 | 2 |
| 25 | 4803 | NUT | 2 | 2 |
| 26 | 293B | THREAD GUIDE BAR (4-SPOOLS) | | 1 |
| 27 | 293C | THREAD GUIDE BAR (3-SPOOLS) | 1 | |
| 28 | 4012 | SCREW | 1 | 1 |
| 29 | 4803 | NUT | 1 | 1 |
| 30 | 527-CA | BRACKET | 1 | |
| 31 | 527ACA | BRACKET | | 2 |
| 32 | 506 | THREAD GUIDE | 3 | 4 |
| 33 | 4117 | SCREW | 1 | 2 |
| 34 | 4805 | NUT | 1 | 2 |
| 35 | 386 | ROD CAP | 1 | 1 |



ACCESSORIES

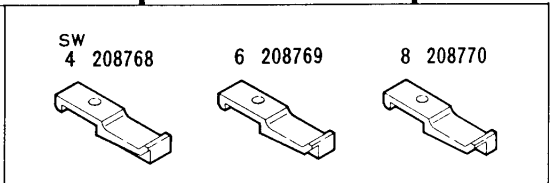
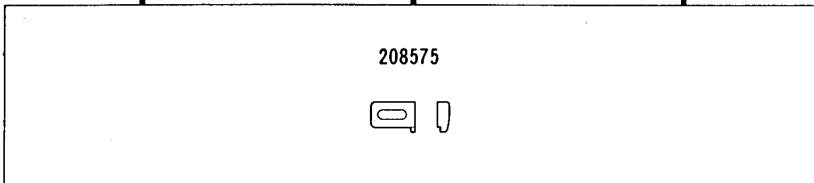
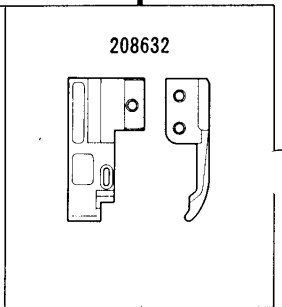
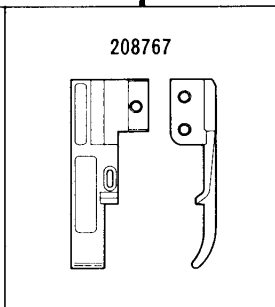
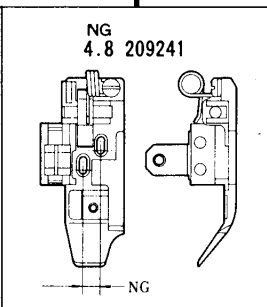
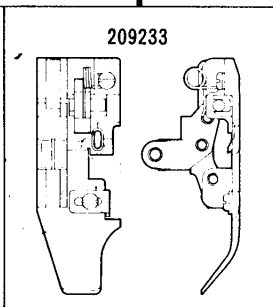
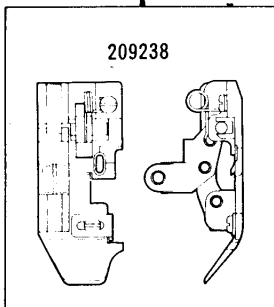
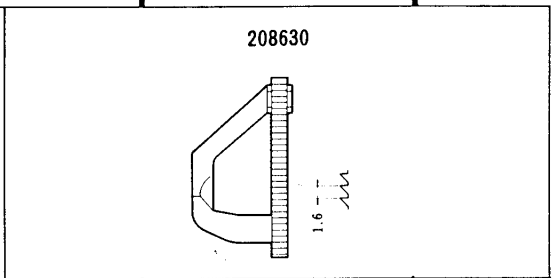
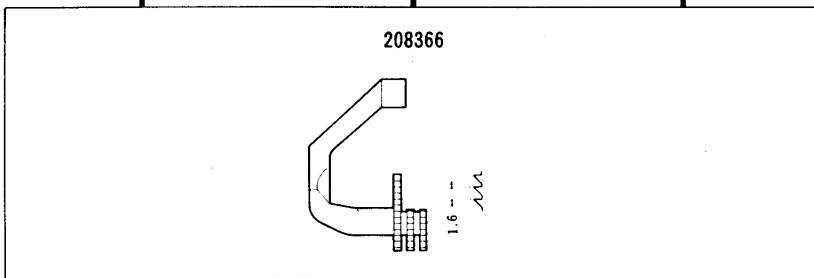
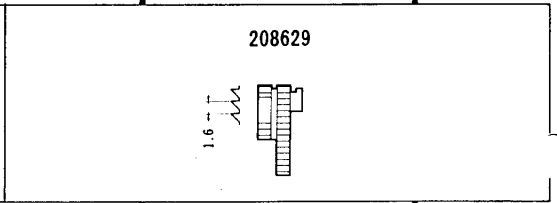
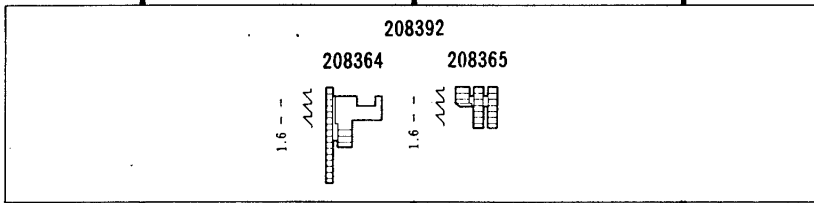
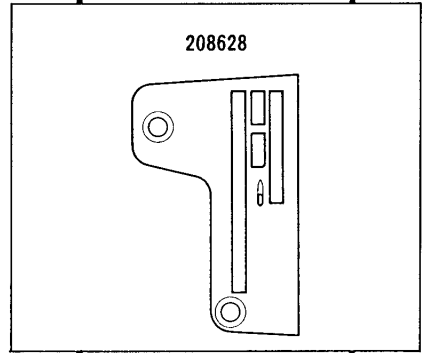
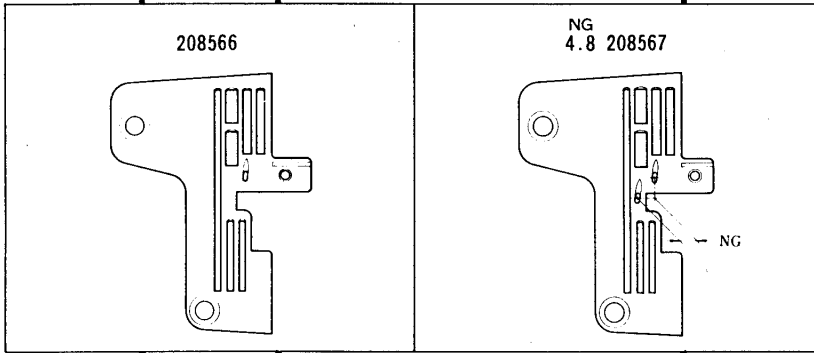
| REF. NO. | PART NO. | NAME | QT. |
|-------------|----------|----------------------|-----|
| 1 | 452 | OIL CONTAINER/750CC | 1 |
| 2 | 485 | OILER | 1 |
| 3 | 484 | OIL FUNNEL | 1 |
| 4 | 178 | CONTAINER - SILICONE | 1 |
| 5 | 286 | WRENCH/9.5MM | 1 |
| 6 | 285 | WRENCH/8MM | 1 |
| 7 | 284 | WRENCH/7MM | 1 |
| 8 | 283 | WRENCH/6MM | 1 |
| 9 | 391 | WRENCH/5MM | 1 |
| 10 | 127 | SCREWDRIVER (LARGE) | 1 |
| 11 | 128 | SCREWDRIVER (MEDIUM) | 1 |
| 12 | 179 | ALLEN KEY DRIVER | 1 |
| 13 | 322 | ALLEN KEY/2.38MM | 1 |
| 14 | 182 | ALLEN KEY | 1 |
| 15 | 200 | ALLEN KEY/4.76MM | 1 |
| 16 | 131 | TWEEZERS | 1 |
| 17 | 153 | THREADING WIRE | 1 |
| 18 | 478 | PEDAL | 1 |
| 19 | 392 | CHAIN | 1 |
| 20 | 208393 | LOWER KNIFE | 2 |
| 21 | DCX27 | NEEDLE | 5 |
| 22 | 205216A | BELT COVER | 1 |
| 23 | 205217 | SCREW | 3 |
| 24 | 5117 | SCREW | 3 |

401-02x100 401-04x100

401-02x250

401-03x100L
401-13x100L

401-03x100S
401-13x100S



NG=NEEDLE GAUGE
SW=SEAM WIDTH

401-02x100

401-04x100

401-02x250

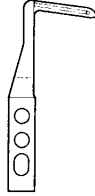
401-03x100L 401-03x100S

401-13x100L 401-13x100S

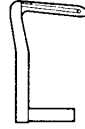
208360



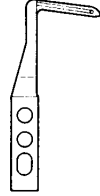
204431



208360



204314A



208356



208357



208358



204042



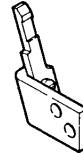
208356



208357



204521



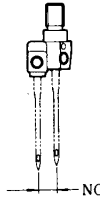
204356



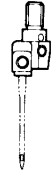
208914



NG
4.8 208914



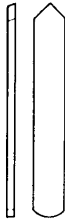
208909



202527A



208393



GAUGE PARTS LIST

| MACHINE TYPE /SPEC. | GAUGE | | NEEDLE PLATE | MAIN FEED DOG ASS. | MAIN FEED DOG | AUX. FEED DOG | DIFF. FEED DOG | PRESSER FOOT | FABRIC GUARD | RIGHT LOOPER | LEFT LOOPER |
|---------------------|-------|----|--------------|--------------------|---------------|---------------|----------------|--------------|--------------|--------------|-------------|
| | NG | SW | | | | | | | | | |
| 401-02×100 | | | 208566 | 208392 | 208364 | 208355 | 208366 | 209238 | 208575 | 208360 | — |
| 401-02×250 | 4.8 | | 208567 | 208392 | 208364 | 208365 | 208366 | 209241 | 208575 | 208360 | 204431 |
| 401-04×100 | | | 208566 | 208392 | 208364 | 208355 | 208366 | 209233 | 208575 | 208360 | — |

| MACHINE TYPE /SPEC. | GAUGE | | LEFT NEEDLE | | | RIGHT NEEDLE | | | UPPER KNIFE | LOWER KNIFE | NEEDLE HOLDER | NEEDLE |
|---------------------|-------|----|-------------------|------------------|-------------------|------------------|-------------------|------------------|-------------|-------------|---------------|--------|
| | NG | SW | NDL GUARD (FRONT) | NDL GUARD (REAR) | NDL GUARD (FRONT) | NDL GUARD (REAR) | NDL GUARD (FRONT) | NDL GUARD (REAR) | | | | |
| 401-02×100 | | | — | — | 208357 | 208356 | 208356 | 208914 | 202527A | 208393 | DC×27 #14 | |
| 401-02×250 | 4.8 | | 204042 | 208358 | 208357 | 208356 | 208356 | 208914 | 202527A | 208393 | DC×27 #14 | |
| 401-04×100 | | | — | — | 208357 | 208356 | 208356 | 208914 | 202527A | 208393 | DC×27 #14 | |

| MACHINE TYPE /SPEC. | GAUGE | | NEEDLE PLATE | MAIN FEED DOG | DIFF. FEED DOG | PRESSER FOOT | SHOE | LOOPER | NDL GUARD (FRONT) | NDL GUARD (REAR) | NEEDLE HOLDER | UPPER KNIFE | LOWER KNIFE | NEEDLE |
|---------------------|-------|----|--------------|---------------|----------------|--------------|--------|---------|-------------------|------------------|---------------|-------------|-------------|-----------|
| | NG | SW | | | | | | | | | | | | |
| 401-03×100L | | 4 | 208628 | 208629 | 208630 | 208767 | 208768 | 204314A | 204536 | 204521 | 208909 | — | — | DC×27 #16 |
| 401-13×100L | | 6 | | | | | 208769 | | | | | | | |
| | | 8 | | | | | 208770 | | | | | | | |
| 401-03×100S | | 4 | 208628 | 208629 | 208630 | 208632 | 208768 | 204314A | 204536 | 204521 | 208909 | — | — | DC×27 #16 |
| 401-13×100S | | 6 | | | | | 208769 | | | | | | | |
| | | 8 | | | | | 208770 | | | | | | | |

NG = NEEDLE GAUGE
SW = SEAM WIDTH

INDEX

| PART NO. | PAGE | NO. REF. | PART NO. | PAGE | NO. REF. | PART NO. | PAGE | NO. REF. | PART NO. | PAGE | NO. REF. | PART NO. | PAGE | NO. REF. |
|-----------|------|----------|----------|------|----------|----------|------|----------|----------|------|----------|----------|------|----------|
| DC×27 | 13 | 41 | 1202 | 29 | 9 | 5002 | 5 | 23 | 5304 | 9 | 20 | 201252 | 41 | 7 |
| DC×27 | 13 | 44 | 1216 | 5 | 5 | 5010 | 15 | 47 | 5312 | 13 | 13 | 201252 | 41 | 7 |
| DC×27 | 43 | 21 | 1216 | 7 | 47 | 5010 | 35 | 24 | 5316 | 25 | 14 | 201323 | 33 | 2 |
| DC×27 #14 | 46 | | 1216 | 15 | 48 | 5012 | 35 | 12 | 5317 | 23 | 30 | 201360B | 13 | 1 |
| DC×27 #16 | 46 | | 1216 | 25 | 28 | 5022 | 5 | 10 | 5317 | 29 | 16 | 201395 | 29 | 33 |
| 127 | 43 | 10 | 1216 | 35 | 25 | 5029 | 15 | 40 | 5321A | 25 | 34 | 201523A | 9 | 17 |
| 128 | 43 | 11 | 1216 | 37 | 4 | 5029 | 15 | 41 | 5328 | 5 | 12 | 201629 | 5 | 22 |
| 131 | 43 | 16 | 1216 | 37 | 21 | 5029 | 25 | 5 | 5328 | 9 | 31 | 201758 | 33 | 6 |
| 153 | 43 | 17 | 1229 | 31 | 40 | 5029 | 29 | 31 | 5328 | 13 | 7 | 202176 | 13 | 16 |
| 178 | 43 | 4 | 1231 | 31 | 8 | 5030 | 31 | 4 | 5328 | 17 | 13 | 202176 | 17 | 12 |
| 179 | 43 | 12 | 1231 | 31 | 16 | 5030 | 31 | 25 | 5328 | 17 | 47 | 202176 | 17 | 19 |
| 182 | 43 | 14 | 1231 | 31 | 29 | 5053 | 13 | 36 | 5328 | 31 | 9 | 202176 | 35 | 7 |
| 200 | 43 | 15 | 1234 | 7 | 23 | 5060 | 33 | 9 | 5328 | 31 | 19 | 202176 | 35 | 21 |
| 233-CA | 41 | 23 | 1234 | 37 | 30 | 5077 | 19 | 49 | 5328 | 31 | 30 | 202199 | 35 | 13 |
| 233-CA | 41 | 23 | 1234 | 37 | 32 | 5078 | 3 | 2 | 5328 | 31 | 41 | 202286 | 5 | 27 |
| 272 | 39 | 9 | 1457 | 5 | 8 | 5080 | 9 | 2 | 5328 | 33 | 15 | 202286 | 17 | 3 |
| 283 | 43 | 8 | 1457 | 13 | 30 | 5081 | 9 | 3 | 5332A | 3 | 16 | 202286 | 17 | 9 |
| 284 | 43 | 7 | 1457 | 19 | 5 | 5082A | 15 | 8 | 5336 | 15 | 38 | 202287A | 33 | 24 |
| 285 | 43 | 6 | 1457 | 19 | 16 | 5084 | 17 | 20 | 5336 | 21 | 21 | 202433 | 19 | 36 |
| 286 | 43 | 5 | 1457 | 29 | 18 | 5084 | 17 | 28 | 5345 | 35 | 10 | 202451 | 29 | 26 |
| 293A | 41 | 26 | 1457 | 29 | 25 | 5084 | 19 | 29 | 5345 | 35 | 18 | 202495 | 13 | 22 |
| 293A | 41 | 26 | 1458 | 27 | 4 | 5084 | 21 | 5 | 5346 | 23 | 46 | 202522 | 21 | 32 |
| 293B | 41 | 27 | 1459 | 11 | 4 | 5084 | 23 | 2 | 5359 | 13 | 21 | 202522 | 25 | 15 |
| 293B | 41 | 27 | 1732 | 5 | 18 | 5084 | 23 | 27 | 5376 | 11 | 7 | 202526 | 3 | 14 |
| 293C | 41 | 28 | 1732-HC | 13 | 46 | 5084 | 25 | 19 | 5380 | 37 | 25 | 202527A | 27 | 14 |
| 293C | 41 | 28 | 2022 | 3 | 17 | 5088 | 27 | 15 | 5381 | 13 | 2 | 202527A | 46 | |
| 322 | 43 | 13 | 2022 | 9 | 19 | 5091 | 5 | 31 | 5381 | 21 | 3 | 202576 | 5 | 6 |
| 380A | 41 | 6 | 2022-4 | 11 | 9 | 5091 | 7 | 10 | 5381 | 23 | 6 | 202645 | 29 | 32 |
| 380A | 41 | 6 | 2022-4 | 13 | 12 | 5091 | 19 | 3 | 5381 | 25 | 7 | 202647A | 29 | 29 |
| 381-CA | 41 | 9 | 2022-4 | 29 | 12 | 5091 | 19 | 14 | 5381 | 25 | 9 | 202653 | 7 | 20 |
| 381-CA | 41 | 9 | 2133-1 | 23 | 25 | 5094 | 5 | 14 | 5381 | 25 | 17 | 202683 | 29 | 1 |
| 382-CA | 41 | 11 | 2133-1 | 29 | 20 | 5094 | 7 | 48 | 5381 | 27 | 2 | 202689 | 7 | 22 |
| 382-CA | 41 | 11 | 2193 | 17 | 10 | 5095 | 33 | 22 | 5385 | 17 | 33 | 202689 | 37 | 29 |
| 383-CA | 41 | 19 | 2902 | 5 | 26 | 5104 | 37 | 26 | 5427 | 21 | 11 | 202706A | 13 | 26 |
| 383-CA | 41 | 19 | 2905 | 5 | 34 | 5113 | 15 | 27 | 5437 | 21 | 16 | 202757A | 29 | 15 |
| 384 | 41 | 20 | 2905 | 19 | 18 | 5113 | 19 | 45 | 5455 | 19 | 37 | 202849 | 15 | 9 |
| 384 | 41 | 20 | 2913-2 | 29 | 6 | 5113 | 19 | 51 | 5455 | 23 | 9 | 202849 | 19 | 11 |
| 386 | 41 | 36 | 2918 | 37 | 7 | 5117 | 3 | 13 | 5455 | 25 | 12 | 202868 | 25 | 32 |
| 386 | 41 | 36 | 2921 | 29 | 27 | 5117 | 7 | 18 | 5457 | 17 | 16 | 202875 | 37 | 8 |
| 391 | 43 | 9 | 2922 | 17 | 40 | 5117 | 9 | 13 | 5457 | 19 | 32 | 202903 | 33 | 3 |
| 392 | 43 | 19 | 2922 | 23 | 22 | 5117 | 15 | 33 | 5458 | 7 | 35 | 204006 | 3 | 27 |
| 403 | 37 | 9 | 3044 | 5 | 24 | 5117 | 27 | 22 | 5461 | 21 | 13 | 204010 | 9 | 27 |
| 404 | 37 | 12 | 3044 | 7 | 7 | 5117 | 37 | 28 | 5461 | 21 | 27 | 204014 | 9 | 25 |
| 405 | 37 | 11 | 3044 | 19 | 19 | 5117 | 43 | 24 | 5476 | 41 | 3 | 204016 | 9 | 22 |
| 406 | 37 | 10 | 3044 | 19 | 26 | 5118 | 25 | 26 | 5476 | 41 | 3 | 204018 | 9 | 16 |
| 407 | 37 | 14 | 3044 | 29 | 38 | 5118 | 25 | 31 | 5482 | 7 | 15 | 204019A | 9 | 15 |
| 408 | 37 | 15 | 3056 | 19 | 6 | 5118 | 27 | 13 | 5535 | 5 | 16 | 204020A | 9 | 14 |
| 409 | 37 | 16 | 3056 | 19 | 20 | 5118 | 35 | 3 | 5546 | 17 | 2 | 204022 | 9 | 12 |
| 410-JA | 37 | 18 | 3091 | 7 | 31 | 5137 | 7 | 49 | 5549 | 9 | 4 | 204023 | 9 | 5 |
| 452 | 43 | 1 | 3091 | 33 | 18 | 5137 | 15 | 19 | 7102 | 41 | 12 | 204026 | 9 | 6 |
| 478 | 43 | 18 | 4009-1 | 7 | 14 | 5138B | 33 | 25 | 7102 | 41 | 12 | 204029 | 11 | 10 |
| 484 | 43 | 3 | 4009-1 | 7 | 25 | 5141 | 25 | 6 | 9050 | 39 | 13 | 204042 | 15 | 42 |
| 485 | 43 | 2 | 4009-1 | 15 | 29 | 5143A | 15 | 17 | 9070-2 | 13 | 25 | 204042 | 46 | |
| 486B9C | 41 | | 4009-1 | 15 | 31 | 5145 | 33 | 11 | 137142 | 37 | 5 | 204052A | 25 | 23 |
| 486C9C | 41 | | 4009-1 | 19 | 47 | 5146 | 7 | 43 | 137142 | 37 | 22 | 204084 | 21 | 6 |
| 502-CA | 41 | 15 | 4009-1 | 23 | 11 | 5150B | 33 | 28 | 137906 | 7 | 32 | 204085 | 21 | 2 |
| 502-CA | 41 | 15 | 4009-1 | 27 | 17 | 5152 | 7 | 2 | 167072 | 19 | 10 | 204089 | 19 | 30 |
| 503-CA | 41 | 1 | 4012 | 37 | 13 | 5152 | 29 | 2 | 167072 | 19 | 24 | 204093 | 17 | 34 |
| 503-CA | 41 | 1 | 4012 | 41 | 24 | 5157 | 21 | 26 | 167077 | 19 | 7 | 204095A | 19 | 42 |
| 504-CA | 41 | 16 | 4012 | 41 | 29 | 5163 | 3 | 7 | 167077 | 19 | 21 | 204096 | 19 | 46 |
| 504-CA | 41 | 16 | 4012 | 41 | 24 | 5182 | 5 | 30 | 167079 | 19 | 2 | 204097A | 19 | 44 |
| 505-CA | 41 | 4 | 4012 | 41 | 29 | 5205 | 23 | 40 | 167079 | 19 | 13 | 204099 | 19 | 4 |
| 505-CA | 41 | 4 | 4014 | 41 | 21 | 5205 | 23 | 42 | 198192 | 7 | 26 | 204099 | 19 | 15 |
| 505ACA | 41 | 5 | 4014 | 41 | 21 | 5223 | 31 | 18 | 200030 | 13 | 31 | 204100 | 21 | 1 |
| 505ACA | 41 | 5 | 4021 | 41 | 17 | 5227 | 15 | 43 | 200041 | 13 | 23 | 204107 | 17 | 8 |
| 506 | 41 | 33 | 4021 | 41 | 17 | 5227 | 15 | 50 | 200098 | 7 | 6 | 204107 | 23 | 10 |
| 506 | 41 | 33 | 4022 | 41 | 14 | 5231 | 23 | 15 | 200098 | 27 | 23 | 204111A | 23 | 12 |
| 507 | 41 | 10 | 4022 | 41 | 14 | 5231 | 23 | 37 | 200136 | 35 | 4 | 204114 | 23 | 13 |
| 507 | 41 | 10 | 4117 | 41 | 34 | 5232 | 29 | 10 | 200152 | 33 | 4 | 204114 | 23 | 35 |
| 509 | 41 | 2 | 4117 | 41 | 34 | 5233 | 11 | 11 | 200152 | 35 | 5 | 204115 | 23 | 14 |
| 509 | 41 | 2 | 4512 | 39 | 7 | 5233 | 11 | 13 | 200155 | 35 | 8 | 204115 | 23 | 36 |
| 512 | 41 | 13 | 4802 | 17 | 29 | 5234 | 13 | 4 | 200155 | 35 | 22 | 204122 | 23 | 34 |
| 512 | 41 | 13 | 4803 | 41 | 8 | 5237 | 3 | 6 | 200162A | 5 | 4 | 204123A | 23 | 18 |
| 527-CA | 41 | 31 | 4803 | 41 | 22 | 5240 | 9 | 24 | 200555 | 7 | 45 | 204124 | 23 | 31 |
| 527-CA | 41 | 31 | 4803 | 41 | 25 | 5242 | 35 | 2 | 200555 | 15 | 26 | 204128A | 23 | 26 |
| 527ACA | 41 | 32 | 4803 | 41 | 30 | 5259 | 19 | 41 | 200654 | 13 | 15 | 204129A | 23 | 24 |
| 527ACA | 41 | 32 | 4803 | 41 | 8 | 5260 | 27 | 24 | 201002 | 3 | 3 | 204139A | 25 | 16 |
| 1170-1 | 9 | 23 | 4803 | 41 | 22 | 5267 | 9 | 7 | 201002 | 3 | 10 | 204140A | 25 | 13 |
| 1170-1 | 33 | 17 | 4803 | 41 | 25 | 5271 | 29 | 37 | 201037 | 15 | 4 | 204142B | 25 | 29 |
| 1170-3 | 13 | 19 | 4803 | 41 | 30 | 5284 | 17 | 35 | 201037 | 15 | 13 | 204143A | 25 | 30 |
| 1175-2 | 15 | 46 | 4805 | 41 | 18 | 5284 | 17 | 42 | 201048A | 19 | 1 | 204145A | 11 | 12 |
| 1175-2 | 23 | 23 | 4805 | 41 | 35 | 5291 | 31 | 11 | 201048A | 19 | 12 | 204146 | 27 | 3 |
| 1175-2 | 27 | 26 | 4805 | 41 | 18 | 5291 | 31 | 21 | 201056 | 19 | 28 | 204147 | 27 | 1 |
| 1175-3 | 7 | 30 | 4805 | 41 | 35 | 5291 | 31 | 32 | 201056 | 23 | 1 | 204149 | 27 | 9 |
| 1175-3 | 7 | 40 | 4818 | 37 | 17 | 5292 | 13 | 17 | 201056 | 29 | 17 | 204158 | 27 | 20 |
| 1186 | 13 | 28 | 4904 | 39 | 12 | 5292 | 13 | 40 | 201074A | 17 | 1 | 204159 | 27 | 21 |
| 1189 | 17 | 38 | 4905 | 39 | 16 | 5292 | 13 | 43 | 201117 | 13 | 6 | 204160A | 15 | 45 |
| 1189 | 17 | 45 | 4905 | 39 | 18 | 5292 | 17 | 31 | 201139 | 5 | 7 | 204160A | 27 | 25 |
| 1189 | 23 | 33 | 4908 | 37 | 19 | 5292 | 19 | 43 | 201185 | 35 | 19 | 204162 | 27 | 18 |
| 1196 | 31 | 36 | 5001 | 27 | 7 | 5292 | 21 | 10 | 201252 | 7 | 41 | 204172 | 17 | 39 |

INDEX

| PART NO. | PAGE | NO. REF. | PART NO. | PAGE | NO. REF. | PART NO. | PAGE | NO. REF. | PART NO. | PAGE | NO. REF. | PART NO. | PAGE | NO. REF. |
|------------|------|----------|----------|------|----------|-----------|------|----------|-----------|------|----------|----------|------|----------|
| 204177B | 29 | 8 | 208027 | 17 | 30 | 208449 | 15 | 7 | 208921 | 7 | 13 | | | |
| 204178 | 29 | 7 | 208028 | 17 | 25 | 208449 | 15 | 16 | 208932-HD | 9 | 1 | | | |
| 204185 | 33 | 21 | 208029 | 17 | 27 | 208449 | 19 | 9 | 208944 | 21 | 28 | | | |
| 204186A | 9 | 18 | 208108 | 23 | 39 | 208449 | 19 | 23 | 208945 | 5 | 11 | | | |
| 204187 | 33 | 8 | 208109 | 23 | 44 | 208450 | 15 | 5 | 208949 | 21 | 31 | | | |
| 204193 | 33 | 1 | 208168 | 23 | 43 | 208450 | 15 | 14 | 208951 | 11 | 3 | | | |
| 204194 | 33 | 5 | 208169A | 3 | 9 | 208476 | 9 | 9 | 208952 | 23 | 41 | | | |
| 204198 | 9 | 8 | 208173 | 3 | 23 | 208477 | 9 | 11 | 208958-B | 31 | 2 | | | |
| 204218 | 5 | 3 | 208173 | 3 | 26 | 208481 | 7 | 11 | 208958-B | 31 | 23 | | | |
| 204223 | 7 | 24 | 208192 | 11 | 8 | 208482 | 7 | 9 | 208978 | 31 | 10 | | | |
| 204242 | 5 | 9 | 208194 | 17 | 14 | 208486 | 35 | 9 | 208978 | 31 | 31 | | | |
| 204243 | 7 | 33 | 208195 | 17 | 11 | 208487 | 35 | 11 | 209068 | 13 | 24 | | | |
| 204251 | 3 | 4 | 208195 | 17 | 18 | 208526 | 29 | 23 | 209169 | 23 | 3 | | | |
| 204293 | 17 | 17 | 208196 | 17 | 24 | 208527 | 31 | 17 | 209174 | 15 | 10 | | | |
| 204293 | 17 | 36 | 208235 | 27 | 8 | 208529 | 31 | 20 | 209233 | 31 | 22 | | | |
| 204293 | 17 | 43 | 208247 | 13 | 10 | 208534 | 29 | 21 | 209233 | 46 | | | | |
| 204314A | 17 | 37 | 208248 | 13 | 8 | 208535 | 29 | 19 | 209238 | 31 | 1 | | | |
| 204314A | 46 | | 208249 | 13 | 5 | 208537 | 29 | 36 | 209238 | 46 | | | | |
| 204319 | 9 | 30 | 208250 | 13 | 9 | 208549 | 29 | 24 | 209241 | 31 | 12 | | | |
| 204324 | 19 | 48 | 208260 | 33 | 23 | 208560 | 15 | 21 | 209241 | 46 | | | | |
| 204431 | 17 | 44 | 208267 | 11 | 14 | 208561 | 15 | 22 | 209243 | 31 | 13 | | | |
| 204431 | 46 | | 208272 | 9 | 10 | 208562 | 15 | 23 | 209304 | 21 | 29 | | | |
| 204439A | 23 | 29 | 208273 | 25 | 1 | 208563 | 15 | 24 | 209367HY | 11 | 1 | | | |
| 204466 | 35 | 26 | 208274 | 25 | 2 | 208566 | 46 | | 209367JY | 11 | 2 | | | |
| 204521 | 15 | 44 | 208275 | 25 | 3 | 208567 | 46 | | 209405 | 5 | 32 | | | |
| 204521 | 46 | | 208276 | 25 | 4 | 208568 | 15 | 20 | 209407 | 33 | 10 | | | |
| 204536 | 15 | 49 | 208284 | 23 | 5 | 208569 | 37 | 6 | 209408 | 33 | 19 | | | |
| 204536 | 46 | | 208285 | 23 | 7 | 208570-FA | 5 | 29 | 209409 | 33 | 20 | | | |
| 204588 | 23 | 17 | 208285 | 25 | 10 | 208575 | 31 | 3 | 209410 | 33 | 16 | | | |
| 204593 | 33 | 7 | 208286 | 23 | 8 | 208575 | 31 | 24 | 209411-91 | 35 | 14 | | | |
| 204618 | 23 | 16 | 208286 | 25 | 11 | 208575 | 46 | | 209412-91 | 35 | 15 | | | |
| 204625A | 13 | 32 | 208307 | 15 | 18 | 208578 | 27 | 11 | 210003 | 3 | 15 | | | |
| 204627A | 13 | 34 | 208308 | 35 | 1 | 208579 | 27 | 12 | 210003 | 3 | 22 | | | |
| 204650A | 5 | 13 | 208312 | 15 | 28 | 208580 | 27 | 16 | 210003 | 3 | 25 | | | |
| 204751 | 23 | 4 | 208313 | 29 | 11 | 208581-HD | 7 | 1 | 210005 | 3 | 12 | | | |
| 204752 | 25 | 24 | 208314 | 29 | 13 | 208582 | 17 | 4 | 210007 | 5 | 33 | | | |
| 204754A | 25 | 18 | 208315 | 29 | 14 | 208583 | 7 | 38 | 210025 | 5 | 2 | | | |
| 204755 | 25 | 25 | 208316 | 29 | 5 | 208599 | 29 | 30 | 210067 | 27 | 5 | | | |
| 204756 | 25 | 21 | 208318 | 33 | 26 | 208602-FD | 3 | 1 | 210124 | 17 | 5 | | | |
| 204757 | 25 | 20 | 208339 | 7 | 8 | 208603-FD | 3 | 5 | 210125 | 17 | 7 | | | |
| 204806 | 33 | 27 | 208341 | 7 | 16 | 208610 | 5 | 1 | 210127 | 21 | 7 | | | |
| 204810 | 23 | 38 | 208342 | 7 | 17 | 208616 | 13 | 35 | 210129 | 21 | 8 | | | |
| 204828 | 3 | 21 | 208346 | 11 | 6 | 208617 | 13 | 37 | 210130 | 21 | 9 | | | |
| 204848A | 7 | 34 | 208356 | 15 | 35 | 208621 | 13 | 29 | 210136 | 21 | 23 | | | |
| 204862 | 35 | 16 | 208356 | 15 | 39 | 208624AFD | 3 | 11 | 210164 | 25 | 22 | | | |
| 204865AFA | 5 | 28 | 208356 | 46 | | 208625 | 23 | 45 | 210282A | 21 | 12 | | | |
| 204868 | 5 | 25 | 208357 | 15 | 34 | 208627 | 11 | 5 | 210283 | 19 | 40 | | | |
| 204870 | 25 | 33 | 208357 | 15 | 36 | 208628 | 46 | | 210284 | 19 | 38 | | | |
| 204873 | 9 | 28 | 208357 | 46 | | 208629 | 46 | | 210285 | 19 | 35 | | | |
| 204874 | 19 | 27 | 208358 | 15 | 37 | 208630 | 46 | | 210287 | 19 | 31 | | | |
| 204881 | 9 | 29 | 208358 | 46 | | 208632 | 31 | 34 | 210292 | 19 | 33 | | | |
| 204883 | 25 | 27 | 208359 | 15 | 32 | 208632 | 46 | | 210294 | 17 | 15 | | | |
| 204888 | 37 | 24 | 208360 | 17 | 46 | 208636 | 31 | 35 | 210296 | 17 | 22 | | | |
| 204921 | 35 | 6 | 208360 | 46 | | 208637 | 29 | 22 | 210297 | 17 | 23 | | | |
| 204921 | 35 | 20 | 208361 | 17 | 41 | 208638 | 37 | 20 | 210319 | 15 | 6 | | | |
| 204929 | 29 | 4 | 208362 | 19 | 50 | 208642 | 37 | 23 | 210319 | 15 | 15 | | | |
| 204930 | 29 | 3 | 208363 | 19 | 25 | 208643 | 37 | 27 | 210319 | 19 | 8 | | | |
| 205015 | 19 | 39 | 208364 | 46 | | 208645 | 7 | 39 | 210319 | 19 | 22 | | | |
| 205088 | 19 | 34 | 208365 | 46 | | 208646 | 37 | 31 | 210529 | 15 | 1 | | | |
| 205216A | 43 | 22 | 208366 | 46 | | 208696 | 27 | 10 | 210586 | 17 | 21 | | | |
| 205217 | 43 | 23 | 208374 | 31 | 7 | 208713 | 15 | 25 | 210679 | 3 | 20 | | | |
| 205466 | 39 | 8 | 208374 | 31 | 15 | 208725 | 7 | 21 | 210679 | 3 | 29 | | | |
| 205467 | 39 | 3 | 208374 | 31 | 28 | 208737 | 5 | 21 | 210766 | 35 | 28 | | | |
| 205468-JA | 39 | 14 | 208381 | 13 | 27 | 208738 | 5 | 20 | 211657 | 29 | 28 | | | |
| 205469-JA | 39 | 15 | 208382 | 13 | 20 | 208740 | 5 | 19 | 211802A | 21 | 14 | | | |
| 205470-JA | 39 | 11 | 208383 | 7 | 36 | 208741 | 5 | 17 | 211804 | 21 | 15 | | | |
| 205473 | 39 | 10 | 208384 | 7 | 37 | 208744 | 7 | 28 | 211806 | 21 | 25 | | | |
| 205495 | 13 | 3 | 208387 | 35 | 23 | 208747 | 7 | 27 | 211807 | 21 | 24 | | | |
| 205495 | 21 | 4 | 208389 | 37 | 1 | 208755 | 25 | 8 | 212186 | 13 | 33 | | | |
| 205685 | 7 | 29 | 208390 | 37 | 2 | 208756 | 39 | 17 | 212280A | 3 | 28 | | | |
| 205764 | 39 | 5 | 208392 | 46 | | 208757 | 37 | 3 | 212978-91 | 33 | 12 | | | |
| 205765 | 39 | 6 | 208393 | 27 | 19 | 208767 | 31 | 33 | 212981 | 33 | 13 | | | |
| 205857 | 23 | 28 | 208393 | 43 | 20 | 208767 | 46 | | 212982A | 33 | 14 | | | |
| 206115 | 19 | 17 | 208393 | 46 | | 208768 | 31 | 37 | 230047A | 3 | 19 | | | |
| 206181B | 27 | 6 | 208395 | 31 | 14 | 208768 | 46 | | 240102 | 9 | 26 | | | |
| 206336 | 39 | 1 | 208400 | 15 | 30 | 208769 | 31 | 38 | 240102 | 17 | 6 | | | |
| 206337 | 39 | 2 | 208411 | 21 | 17 | 208769 | 46 | | 240162 | 3 | 24 | | | |
| 206337 | 39 | 4 | 208412 | 21 | 19 | 208770 | 31 | 39 | 240178 | 35 | 27 | | | |
| 206457 | 7 | 3 | 208413 | 21 | 18 | 208770 | 46 | | | | | | | |
| 206682 | 7 | 4 | 208415 | 21 | 22 | 208773 | 29 | 35 | | | | | | |
| 206707 | 3 | 18 | 208421 | 21 | 30 | 208774 | 29 | 34 | | | | | | |
| 206781 | 21 | 20 | 208424 | 13 | 11 | 208802 | 7 | 5 | | | | | | |
| 206781 | 35 | 17 | 208425 | 13 | 14 | 208899 | 31 | 5 | | | | | | |
| 207358 | 9 | 21 | 208427 | 13 | 18 | 208899 | 31 | 26 | | | | | | |
| 208008-FD | 7 | 46 | 208430 | 5 | 15 | 208900 | 31 | 6 | | | | | | |
| 208009 | 7 | 42 | 208434 | 3 | 8 | 208900 | 31 | 27 | | | | | | |
| 208010 | 7 | 44 | 208447 | 15 | 2 | 208903 | 13 | 38 | | | | | | |
| 208023A-HD | 7 | 19 | 208447 | 15 | 11 | 208909 | 46 | | | | | | | |
| 208025 | 17 | 32 | 208448 | 15 | 3 | 208914 | 46 | | | | | | | |
| 208026 | 17 | 26 | 208448 | 15 | 12 | 208919 | 7 | 12 | | | | | | |

