

Parts list

High Speed Direct Drive

Automatic Lockstitch Machine

with Built-in Energy Saving Motor

Tronic 5

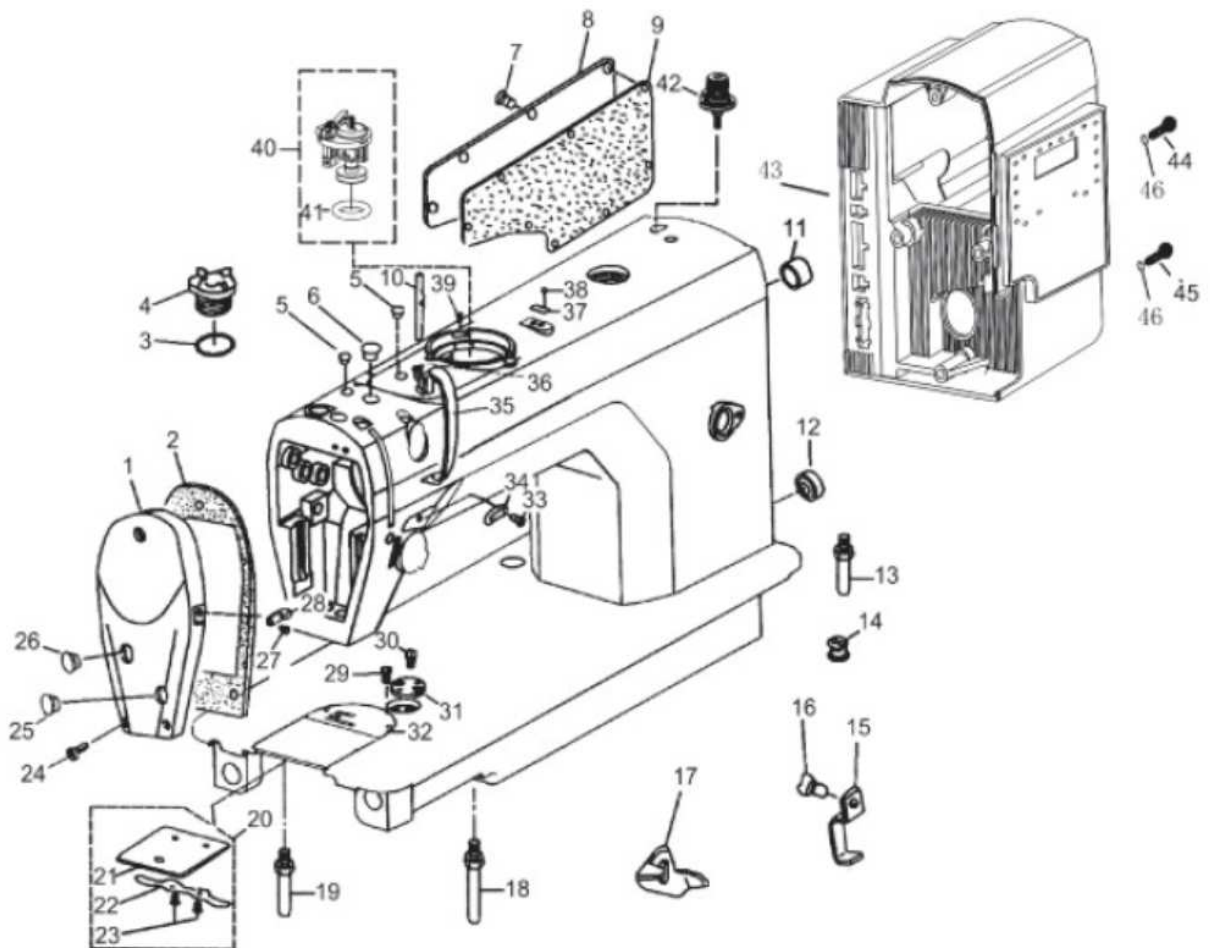
The logo for Texi features a stylized purple icon of three overlapping teardrop shapes to the left of the word "texi" in a lowercase, italicized serif font.

texi

CONTENTS

1.	Machine frame & miscellaneous cover components.....	2
2.	Main shaft & thread take-up components.....	4
3.	Needle bar & thread tension components.....	6
4.	Presser bar & tension release components	8
5.	Hook of driving shaft components.....	10
6.	Feed mechanism components.....	12
7.	Feed regulating components.....	14
8.	Thread trimmer components – round knife.....	16
9.	Bobbin thread tension components.....	18
10.	Lubrication components	19
11.	Knee lifter and oil reservoir components.....	21
12.	Thread stand components.....	23
13.	Accessories.....	25

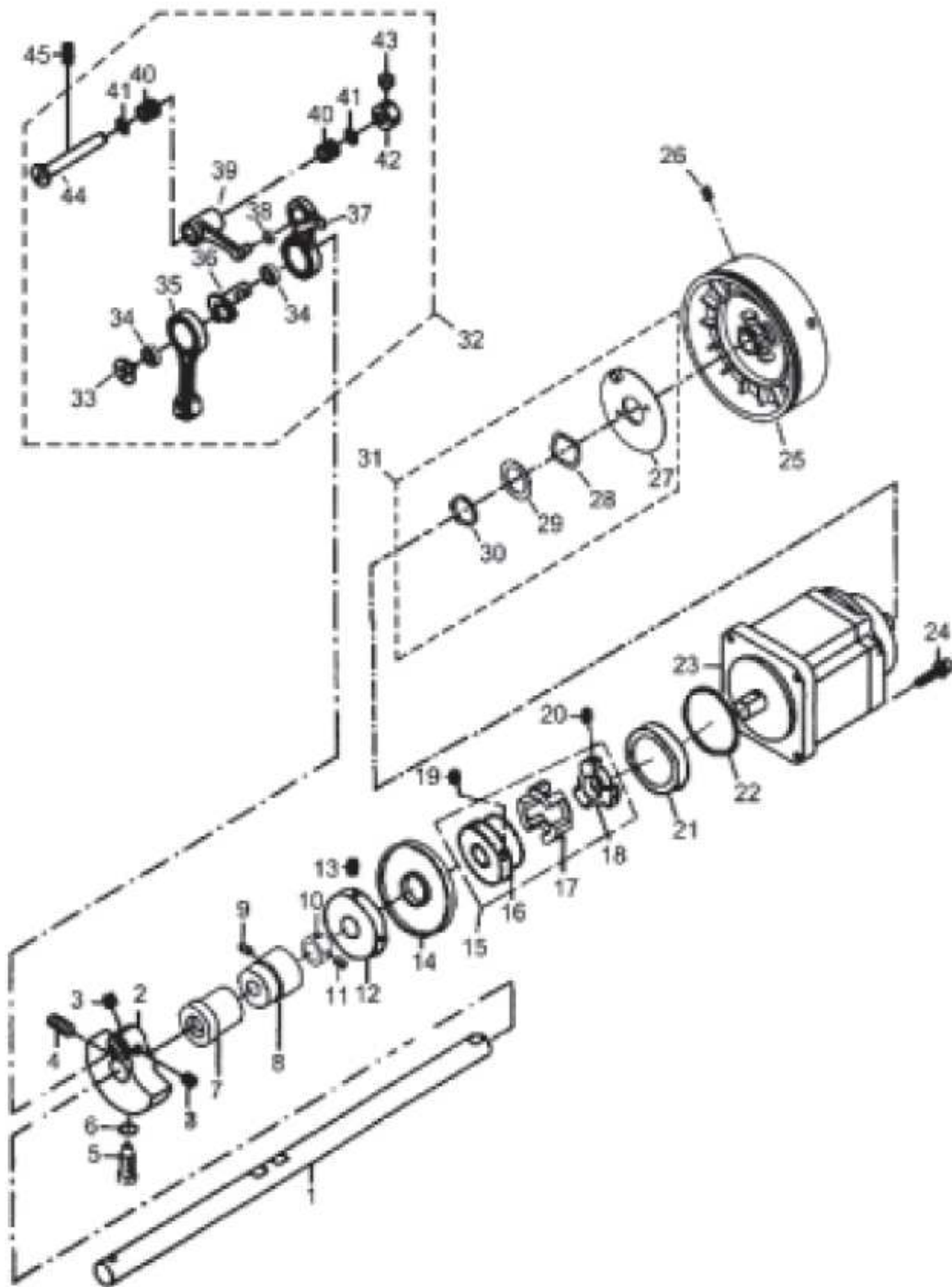
1. Machine frame & miscellaneous cover components



1. Machine frame & miscellaneous cover components

Ref. No.	Part No.	Description	QTY
1	10039361	FACE PLATE	1
2	10039362	FACE PLATE GASKET	1
3	10008939	O-RING	1
4	10008938	OIL WINDOW	1
5	10008943	RUBBER PLUG	2
6	10008942	RUBBER PLUG	1
7	10008972	SCREW	8
8	10039363	SIDE PLATE	1
9	10039364	SIDE PLATE GASKET	1
10	10005639	NEEDLE THREAD GUIDE PIN	1
11	10008975	RUBBER PLUG	1
12	10008941	RUBBER PLUG	1
13	10002577	BED SCREW STUD	2
14	10008823	NEEDLE BEARING	1
15	10012464	CORD HOLDER	1
16	10008972	SCREW	1
17	10008867	CORD HOLDER	1
18	10008871	BED SCREW STUD	1
19	10008830	BED SCREW STUD	1
20	10013706	SLIDE PLATE ASM.	1
21	10003960	SLIDE PLATE	1
22	10003963	SPRING OF SLIDE PLATE	1
23	10010080	SCREW	2
24	10008972	SCREW	3
25	10008977	RUBBER PLUG	1
26	10008977	RUBBER PLUG	1
27	10008973	SCREW	1
28	10008937	ARM THREAD GUIDE LEFT	1
29	10009005	SCREW	2
30	10004374	SCREW	2
31	10004373	RULLER PLATE	1
32	10008805	NEEDLE PLATE	1
33	10008973	SCREW	1
34	10008940	ARM THREAD GUIDE RIGHT	1
35	10014082	THREAD TAKE-UP LEVER COVER	1
36	10008934	SCREW	1
37	10011149	THREAD CUTTER	1
38	10013504	SCREW	2
39	10004380	SCREW	3
40	10013967	BOBBIN WINDER ASM.	1
41	10008773	O-RING	1
42	10013064	BOBBIN THREAD TENSION ASM.	1
43	10031420	ELECTRIC CABINET	1
44	10001497	SCREW	2
45	10007637	SCREW	1
46	10006115	WASHER	3

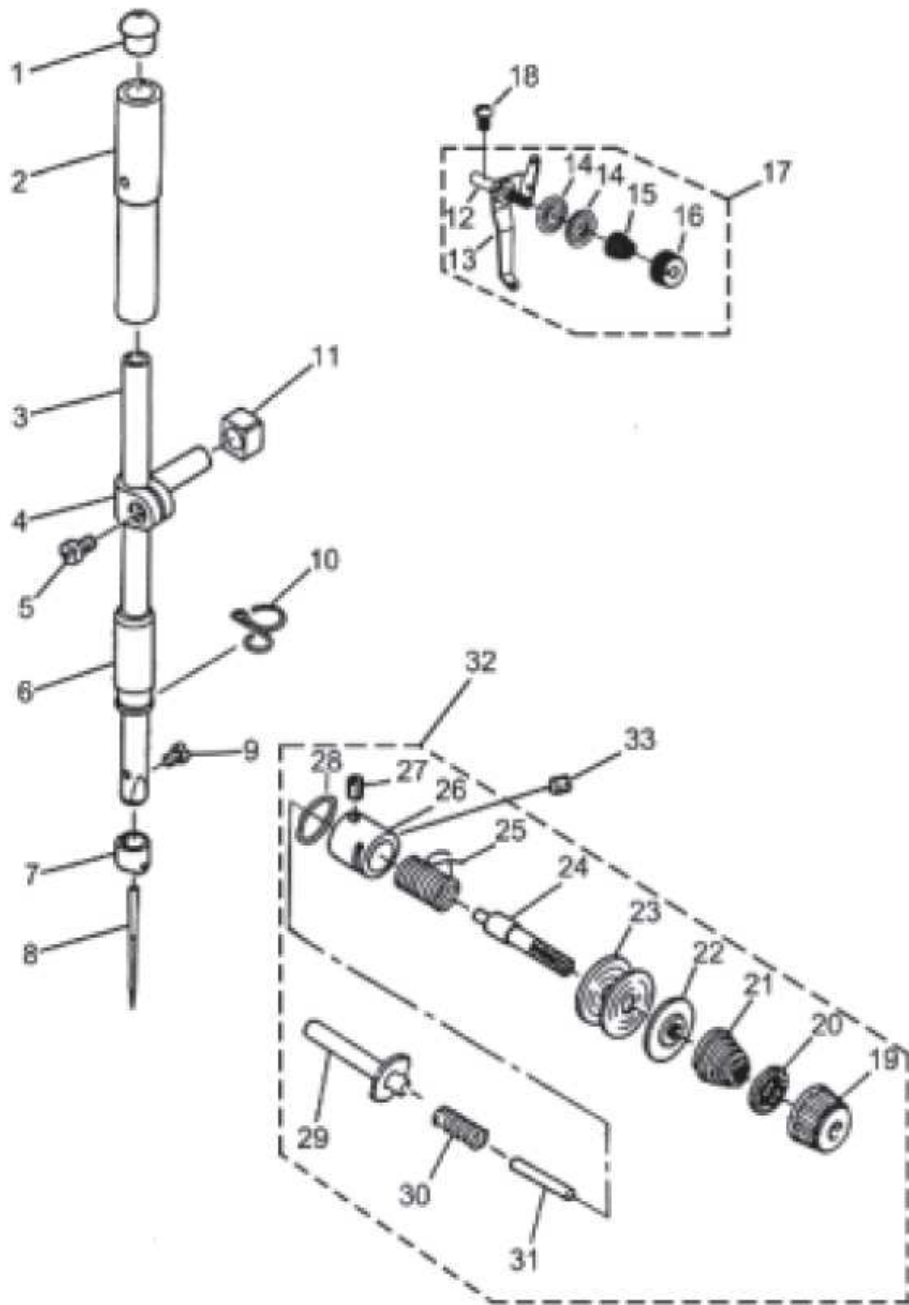
2. Main shaft & thread take-up components



2. Main shaft & thread take-up components

Ref. No.	Part No.	Description	QTY
1	10008910	MAIN SHAFT	1
2	10012203	COUNTER WEIGHT	1
3	10005020	SCREW	2
4	10010082	SCREW	1
5	10010545	SCREW	1
6	10010534	O-RING	1
7	10008820	BEARING SUPPORT	1
8	10007239	BEARING SUPPORT	1
9	10010593	SCREW	1
10	10010542	THRUST COLLAR	1
11	10005020	SCREW	2
12	10004472	WHEEL	1
13	10011062	SCREW	2
14	10008803	OIL SEAL	1
15	20000325	COUPLING ASM	1
16	10008907	COUPLING ASM	1
17	10008909	WASHER	1
18	10008908	COUPLING	1
19	10012161	SCREW	2
20	10011232	SCREW	3
21	10024755	BEARING	1
22	10003796	O-RING	1
23	10008841	MOTOR	1
24	10006157	SCREW	4
25	20003384	HEAD WHEEL	1
26	10002436	SCREW	2
27	10006898	STOP NEEDLE MAGNETIC TRON	1
28	10003364	WAVE DORM WASHER	1
29	10003845	WASHER	1
30	10003365	WASHER	1
31	10027624	STOP NEEDLE MAGNETIC TRON	1
32	10012458	THREAD TAKE UP ASM	1
33	10010537	SCREW	1
34	10003607	BEARING	2
35	10005712	NEEDLE BAR CRANK ROD	1
36	10005748	NEEDLE BAR CRANK	1
37	10038474	THREAD TAKE-UP ASM	1
38	10003595	BEARING	1
39	10005788	THREAD TAKE-UP BAR	1
40	10005747	BEARING	2
41	10005786	WASHER	2
42	10005745	WASHER	1
43	10013590	SCREW	2
44	10005794	THREAD TAKE-UP CRANK SHAFT	1
45	10010083	SCREW	1

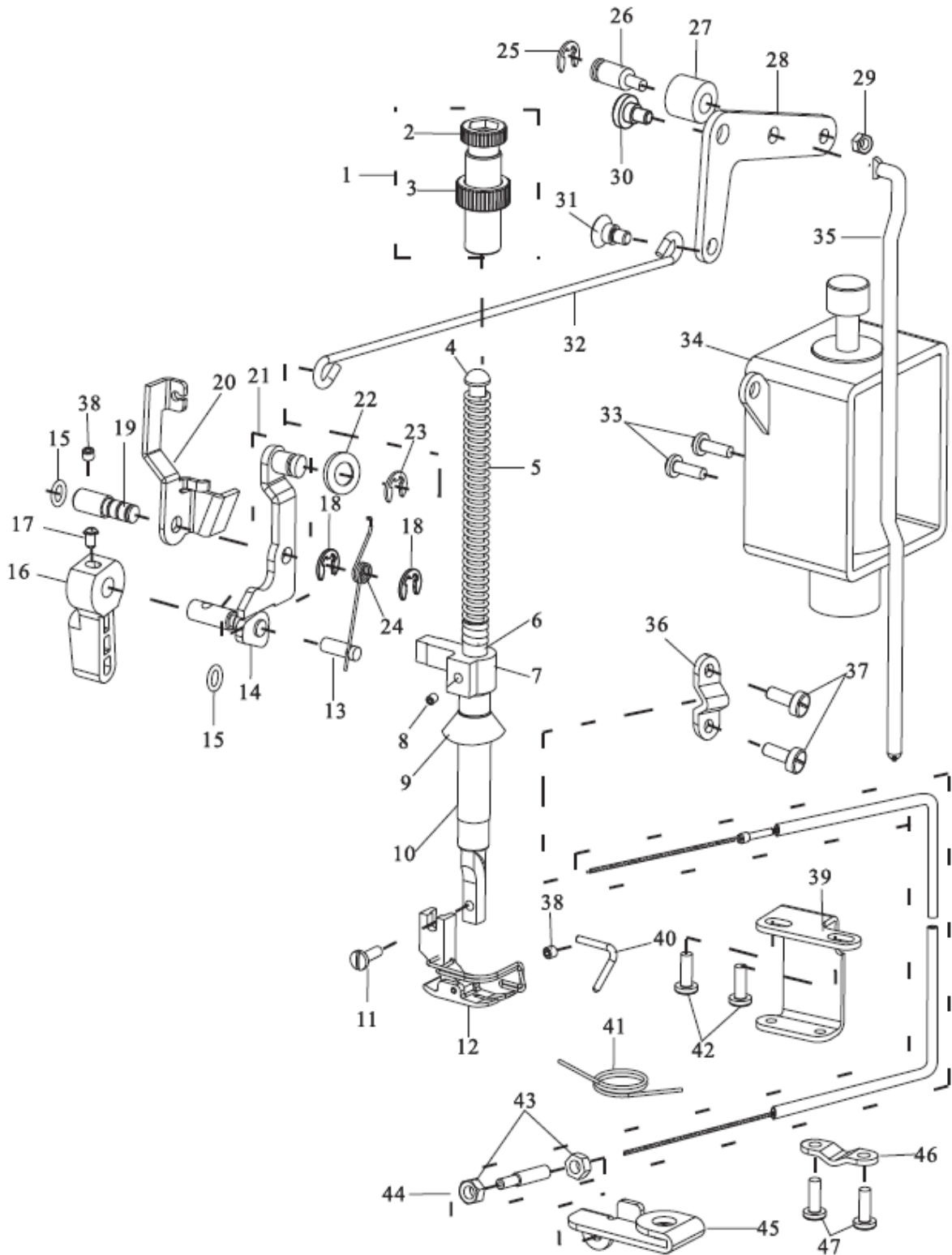
3. Needle bar & thread tension components



3. Needle bar & thread tension components

Ref. No.	Part No.	Description	QTY
1	10010587	RUBBER PLUG	1
2	10011063	NEEDLE BAR BUSHING, UPPER	1
3	10008825	NEEDLE BAR	1
4	10010590	NEEDLE BAR HOLDER	1
5	10010643	SCREW	1
6	10008955	NEEDLE BAR BUSHING, LOWER	1
6	10014117	NEEDLE BAR BUSHING, LOWER	1
7	10010591	NEEDLE BAR THREAD GUIDE	1
8	10004898	NEEDLE	1
9	10010588	SCREW	1
10	10010638	NEEDLE BAR THREAD GUIDE	1
11	10010586	SLIDE BLOCK	1
12	10005841	SCREW	1
13	10012589	THREAD TENSION POST	1
14	10005839	BOBBIN WINDER TENSION DISC	2
15	10005838	SPRING	1
16	10006022	TENSION NUT	1
17	10012867	BOBBIN THREAD TENSION ASM.	1
18	10008934	SCREW	1
19	10012981	TENSION NUT	1
20	10004199	TENSION DISC STOPPER	1
21	10004176	SPRING	1
22	10004179	TENSION DISC HOLDER	1
23	10004180	TENSION DISC	2
24	10004177	SCREW	1
25	10004201	SPRING	1
26	10010639	TENSION POST SOCKET	1
27	10004200	SCREW	1
28	10004183	O-RING	1
29	10008839	TENSION RELEASE SUPPORTING PIN	1
30	10010642	SPRING	1
31	10004184	THREAD RELEASE PIN	1
32	10013000	BOBBIN THREAD TENSION ASM	1
33	10008934	SCREW	1

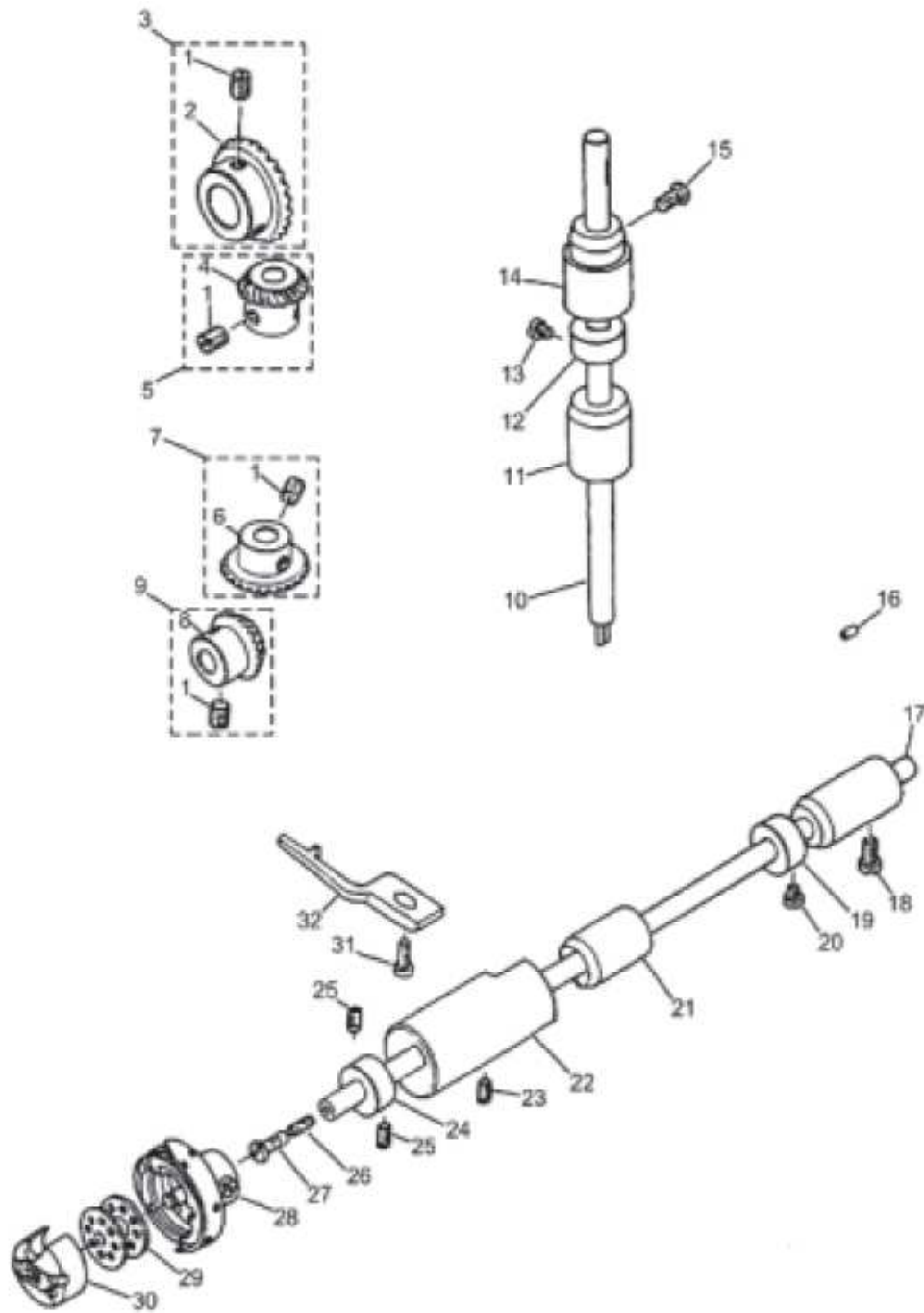
4. Presser bar & tension release components



4. Presser bar & tension release components

Ref No.	Part No.	Description	QTY
1	10008409	PRESSER RING REGULATOR ASM	1
2	10011022	SCREW	1
3	10011023	NUT	1
4	10004439	PRESSER GUIDE BAR	1
5	10004473	SPRING	1
6	10010646	PRESSER GUIDE BAR	1
7	10039365	NEEDLE BAR GUIDE BRACKET	1
8	10000325	SCREW	1
9	10011457	PRESSER BAR OIL SEAL	1
10	10014118	PRESSER BAR BUSHING LOWER	1
11	10010650	SCREW	1
12	10012449	PRESSER FOOT ASM.	1
13	10039374	SHAFT	1
14	10039366	HAND LIFTER CAM ASM.	1
15	10010027	O-RING	1
16	10011064	HAND LIFTER	1
17	10010016	SCREW	1
18	10013038	SNAP RING	2
19	10039373	LINK SHAFT	1
20	10039371	LIFTING LEVER	1
21	10039369	LIFTING PLATE ASM.	1
22	10014124	WASHER	1
23	10010026	SNAP RING	2
24	10039381	SPRING	1
25	10008989	SNAP RING	1
26	10039376	SHAFT	1
27	10039382	NYLON SUPPORT	1
28	10039379	LIFTING LEVER LINK	1
29	10010133	NUT	1
30	10010652	SCREW	1
31	10010651	SCREW	1
32	10010025	LIFTING LEVER CONNECTING ROD	1
33	10000134	SCREW	2
34	10039383	MAGNETIC PLUG	1
35	10039377	CONNECTING ROD VERTICAL	1
36	10039378	FIXING SHUTTER	1
37	10009037	SCREW	1
38	10009074	SCREW	2
39	10008811	LOOSING LINE PLATE	1
40	10039823	PRESSER BAR GUIDE BRACKET	1
41	10008834	SPRING	1
42	10008972	SCREW	2
43	10005834	NUT	2
44	10039380	LOOSING LINE ASM	1
45	10008860	LOOSING PLATE	1
46	10012445	WIRE HOLDER	1
47	10010074	SCREW	2

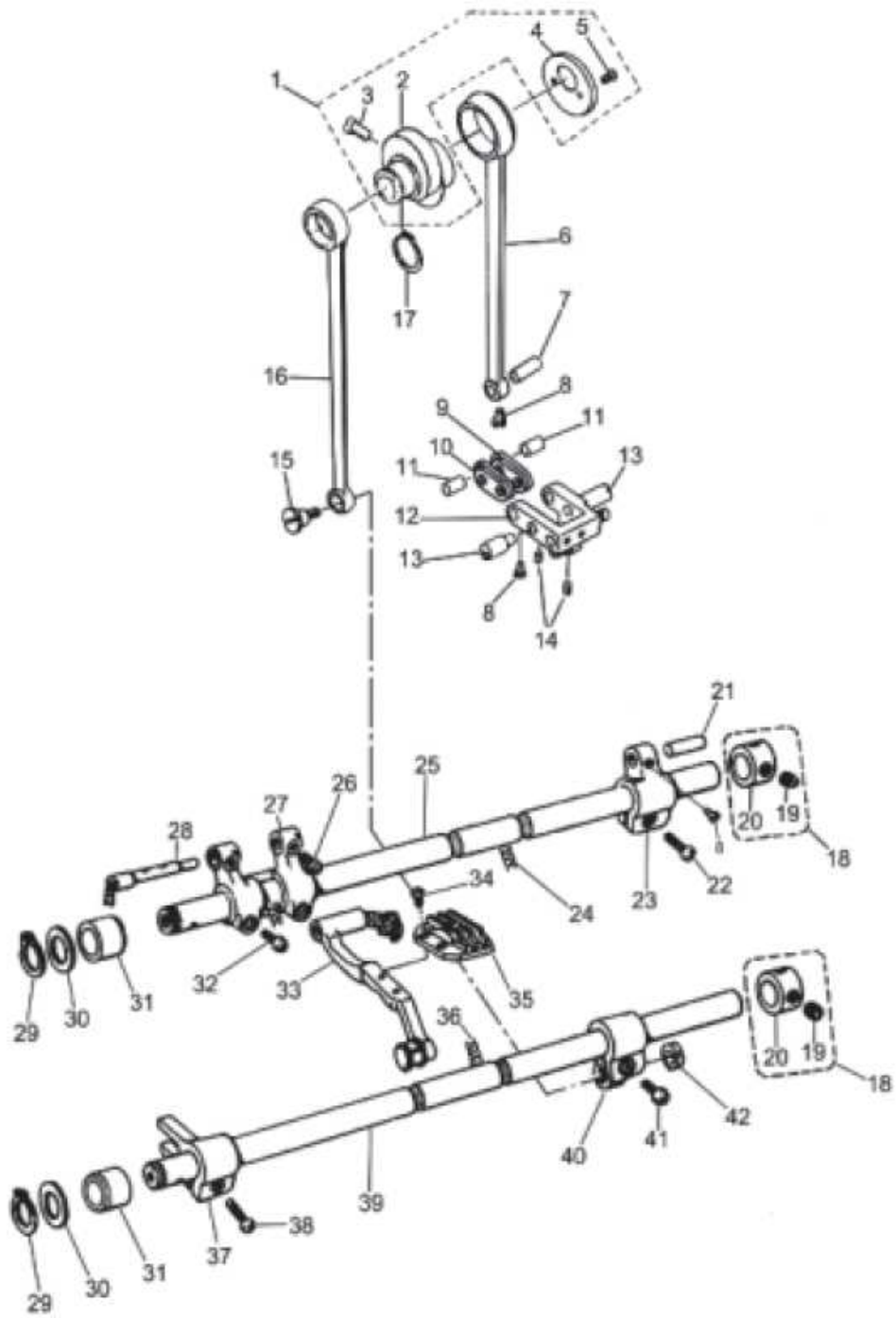
5. Hook of driving shaft components



5. Hook of driving shaft components

Ref. No.	Part No.	Description	QTY
1	10010065	SCREW	8
2	10010056	GEAR	1
3	10002445	GEAR ASM	1
4	10010062	GEAR	1
5	10002561	GEAR ASM	1
6	10010029	GEAR	1
7	10002509	GEAR ASM	1
8	10003937	GEAR	1
9	10002560	GEAR ASM	1
10	10010057	UPRIGHT SHAFT	1
11	10007235	UPRIGHT SHAFT BUSHING, LOWER	1
12	10010058	THRUST COLLAR	2
13	10010059	SCREW	1
14	10007267	BUSHING, UPPER	1
15	10008972	SCREW	1
16	10008864	RUBBER PLUG	1
17	10008821	KOOK DRIVING SHAFT	1
18	10010030	SCREW	1
19	10010058	THRUST COLLAR	2
20	10010059	SCREW	1
21	10008857	BUSHING MIDDLE	1
22	10014142	BUSHING ASM FRONT	1
23	10010593	SCREW	1
24	10009997	THRUST COLLAR	2
25	10008833	SCREW	1
26	10010063	OIL WICK	1
27	10010064	SCREW	1
28	10037513	HOOK ASM	1
29	10025484	BOBBIN	1
30	10006924	BOBBIN CASE ASM	1
31	10010373	SCREW	1
32	10009998	POSITIONING FINGER	1

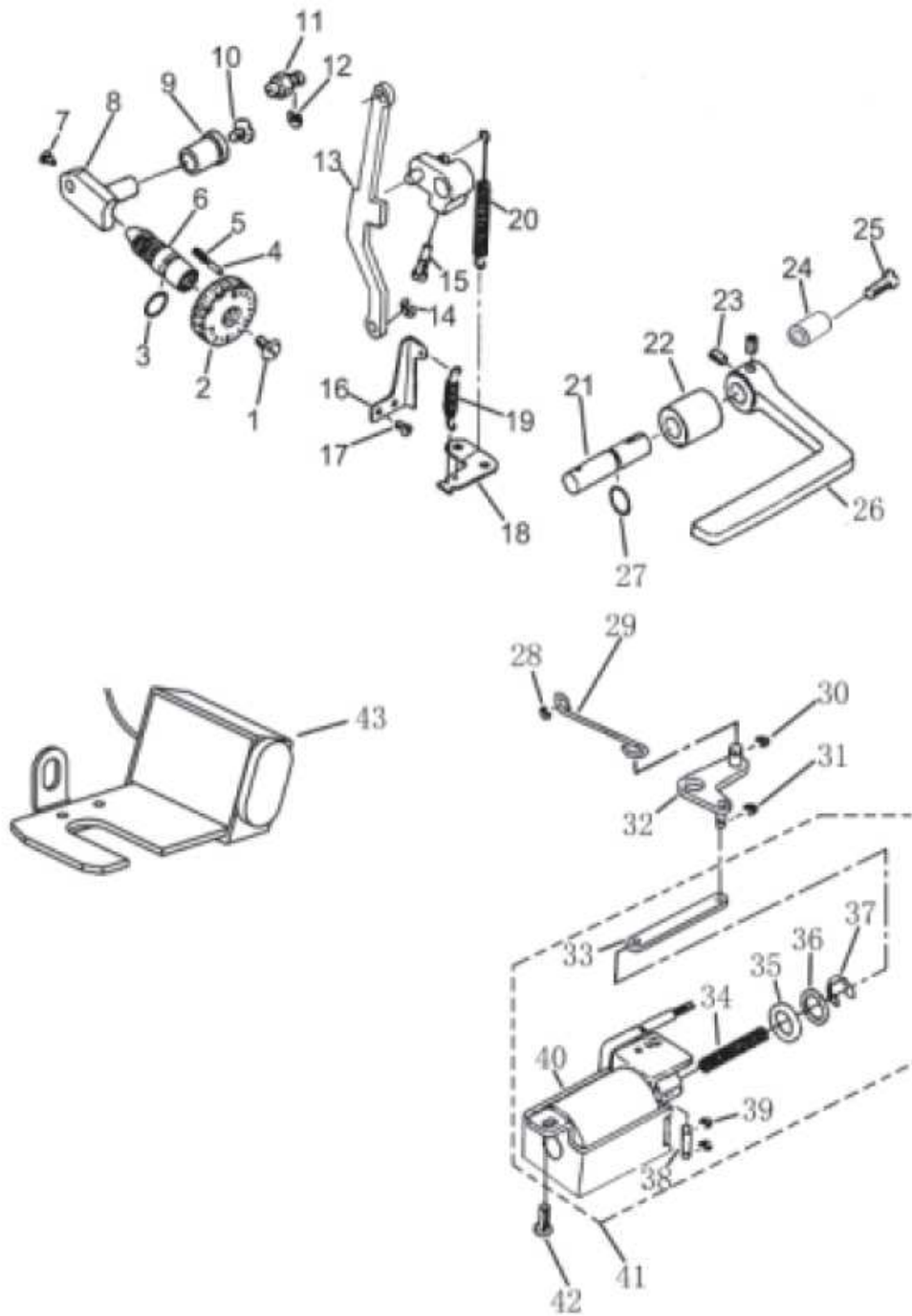
6. Feed mechanism components



6. Feed mechanism components

Ref. No.	Part No.	Description	QTY
1	20004564	FEED DRIVE ECCENTRIC CAM ASM.	1
2	10010115	FEED DRIVE ECCENTRIC CAM	1
3	10010092	SCREW	2
4	10010098	THRUST COLLAR	1
5	10010643	SCREW	2
6	10010072	ROCKER SHAFT CONNECTING ROD	1
7	10010069	WALKING FOOT PIN	1
8	10010071	SCREW	4
9	10010068	LINK (LONG)	2
10	10010075	LINK (SHORT)	2
11	10010087	PIN	2
12	10012775	FEED ADJUSTING ASM	1
13	10010102	ADJUSTING LINK SHAFT	2
14	10010506	SCREW	2
15	10010091	SCREW	1
16	10010084	CONNECTING ROD	1
17	10010089	SNAP RING	1
18	20000348	RETAINING RING ASM	2
19	10012014	SCREW	4
20	10008851	RETAINING RING	2
21	10010096	WALKING FOOT PIN	1
22	10010095	SCREW	1
23	10010076	FEED ROCKER SHAFT CRANK ASM	1
24	10008067	OIL WICK	1
25	10008840	FEED ROCKER SHAFT	1
262	10010901	SCREW	2
27	10008842	FEED CRACKET	1
28	10008824	FEED BAR SHAFT	1
29	10010090	SNAP RING	2
30	10010902	WASHER	2
31	10008906	DEED ROCKER SHAFT BUSHING	2
32	10010900	SCREW	2
33	20001964	FEED ROCKER BASE ASM	1
34	10010099	SCREW	2
35	10008853	FEED DOG	1
36	10008067	OIL WICK	1
37	10010100	DRIVING SHAFT CRANK ASM FRONT	1
38	10010093	SCREW	1
39	10008804	FEED DRIVING SHAFT	1
40	10010086	REAR CRACK ASM	1
41	10010091	SCREW	1
42	10004475	NUT	1

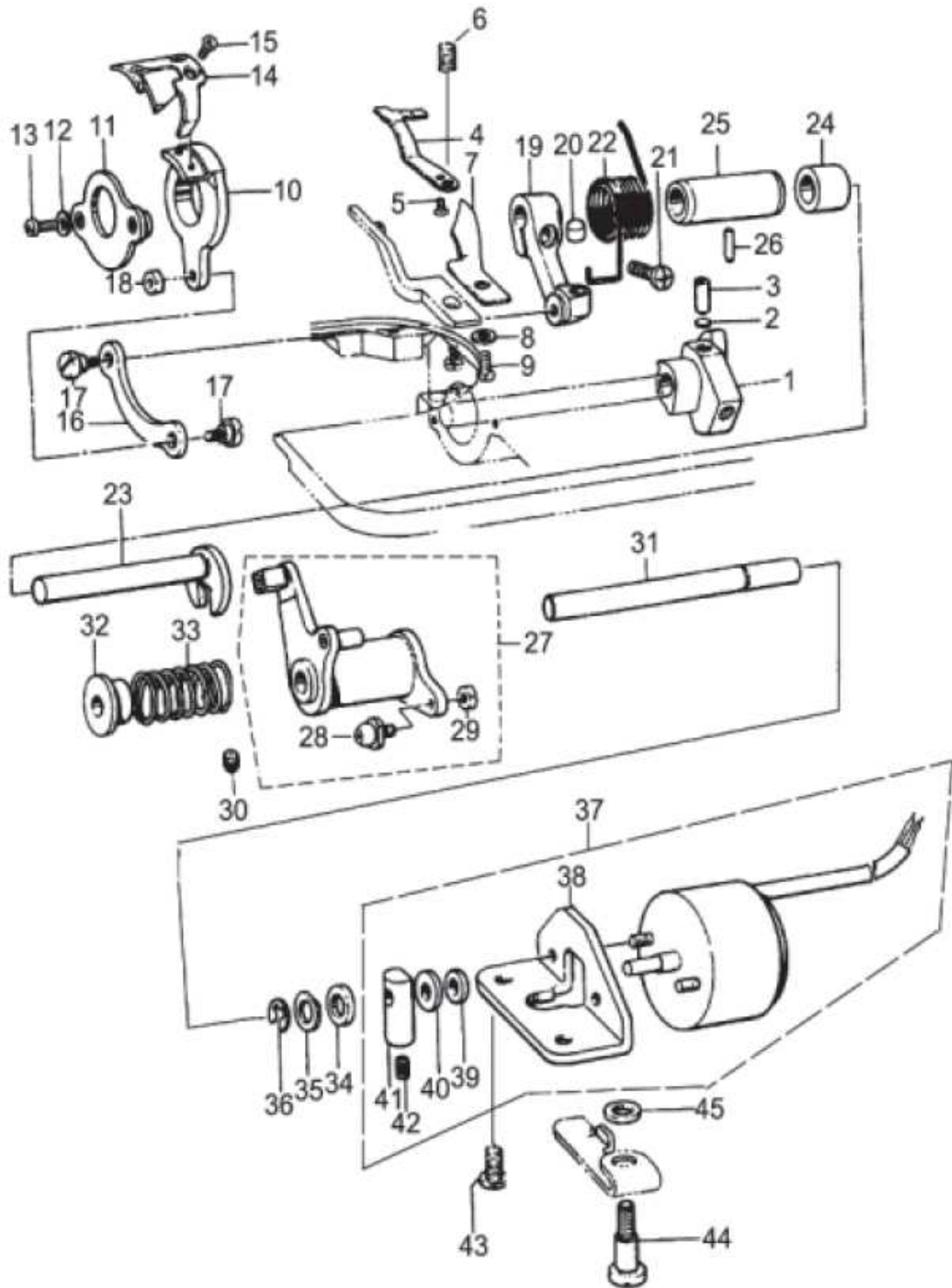
7. Feed regulating components



7. Feed regulating components

Ref. No.	Part No.	Description	QTY
1	10010281	SCREW	1
2	10011024	FEED DIAL	1
3	10010240	O-RING	1
4	10013870	PIN	1
5	10013869	SPRING	1
6	10008829	FEED REGULATOR SCREW	1
7	10010643	SCREW	2
8	10008848	FEED REGULATOR SCREW	1
9	10008956	FEED REGULATOR BUSHING	1
10	10010238	SCREW	1
11	10026886	FEED REGULATOR PIN	1
12	10010649	SNAP RING	1
13	10008852	FEED REGULATOR CONNECTING ROD	1
14	10010649	SNAP RING	1
15	10010236	SCREW	1
16	10010282	ADJUSTING LINK SPRING GUIDE	1
17	10010285	SCREW	2
18	10010235	FEED REVERSE HOOK	1
19	10012796	SPRING	1
20	10004430	SPRING	1
21	10008827	FEED REVERSE SHAFT	1
22	10014119	FEED LEVER METAL	1
23	10003921	SCREW	2
24	10012823	SNAP RING	1
25	10012799	SCREW	2
26	20003459	REVERSE FEED CONTROL LEVER	1
27	10010243	O-RING	1
28	10010649	SNAP RING	1
29	10012797	REVERSE FEED CONNECTING SHAFT	1
30	10010649	SNAP RING	1
31	10012795	SNAP RING	1
32	10012824	CONNECTING ARM ASM	1
33	10005964	REVERSE FEED CONNECTING SHAFT	1
34	10005995	SPRING	1
35	10005961	WASHER	1
36	10005966	WASHER	1
37	10003232	SNAP RING	1
38	10005993	PIN	1
39	10012795	SNAP RING	2
40	10031419	REVERSE FEED MAGNET ASM	1
41	10012825	REVERSE FEED MAGNET ASM	1
42	10012473	SCREW	2
43	10031417	OPTION SWITCH ASM	1

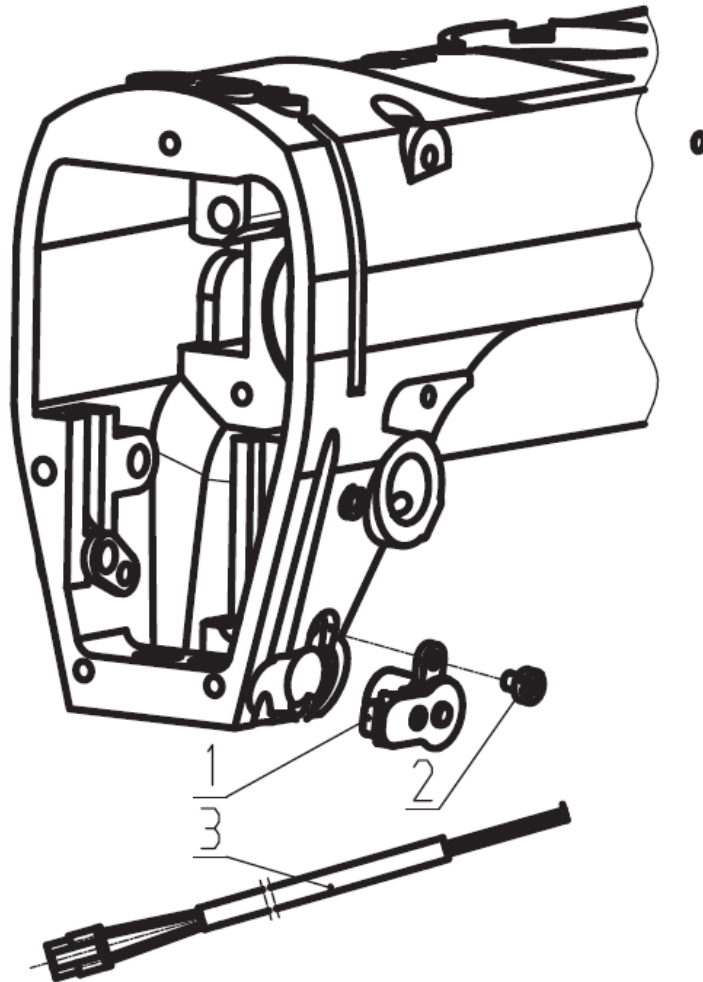
8. Thread trimmer components – round knife



8. Thread trimmer components – round knife

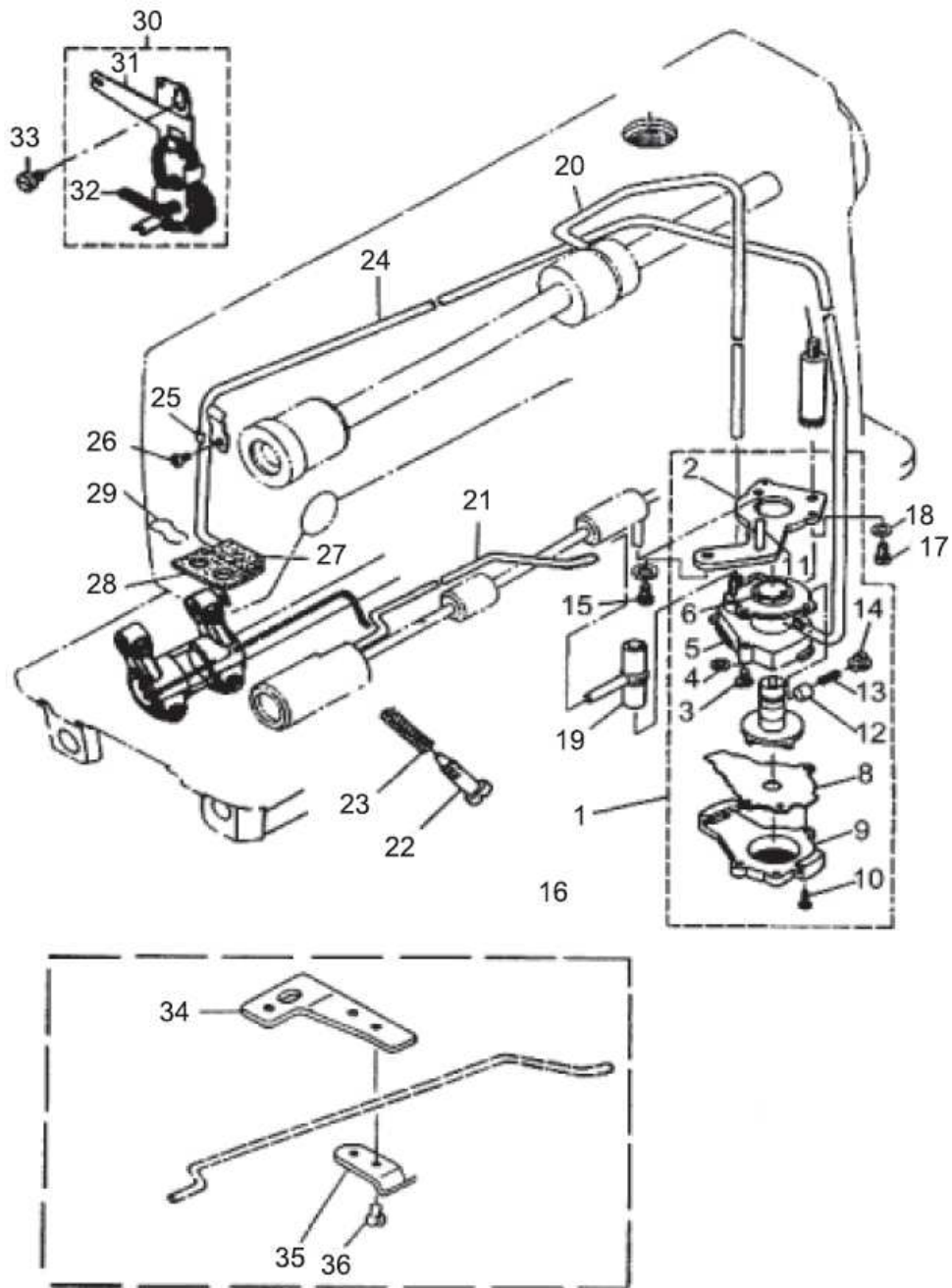
Ref. No.	Part No.	Description	QTY
1	10010736	THREAD TRIMMER CAM	1
2	10023739	CAM COLLER	2
3	10013465	SCREW	2
4	10011421	COUNTER KNIFE	1
5	10011422	SCREW	1
6	10024496	SCREW	1
7	10011584	DISPART THREAD SHUTTLE	1
8	10013154	WASHER	1
9	10011497	SCREW	1
10	10004640	ROUND KNIFE BRACKET	1
11	10008856	KNIFE HOLDER ASM	1
12	10013154	WASHER	2
13	10013541	SCREW	2
14	10011494	ROUND KNIFE	1
15	10011588	SCREW	2
16	10011577	KNIFE SHAFT CRACK ROD	1
17	10011514	SCREW	1
18	10011578	NUT	1
19	10011579	TRIMMING CRANK	1
20	10011580	BLOCK	1
21	10008863	SCREW	1
22	10011649	REPLACE SPRING	1
23	10008866	TRIMMING CRANK SHAFT	1
24	10011630	SHORT BUSHING	1
25	10012454	BUSHING	1
26	10012062	SCREW	1
27	10011686	TRIMMING CRANK CAM	1
28	10004650	ROLLER BEARING SHAFT ASM	
29	10011578	NUT	1
30	10008862	SCREW	1
31	10011697	TRIMMING SHAFT	1
32	10014196	SPRING COVER	1
33	10008812	SPRING	1
34	10011650	WASHER	1
35	10003020	CLIP	1
36	10009654	WASHER	1
37	10021414	THREAD TRIMMER SOLENOID ASM	1
38	10008854	SOLENOID BASE	1
39	10011606	WASHER	1
40	10011845	WASHER	1
41	10011607	SOLENOID CONNECTING SHAFT	1
42	10013590	SCREW	1
43	10011605	SCREW	1
44	10012467	SCREW	1
45	10008865	WASHER	1

9. Bobbin thread tension components



Ref. No.	Part No.	Description	QTY
1	3946000	SOLENOID	1
2	0520400	SCREW	1
3	3542200	WIRE	1

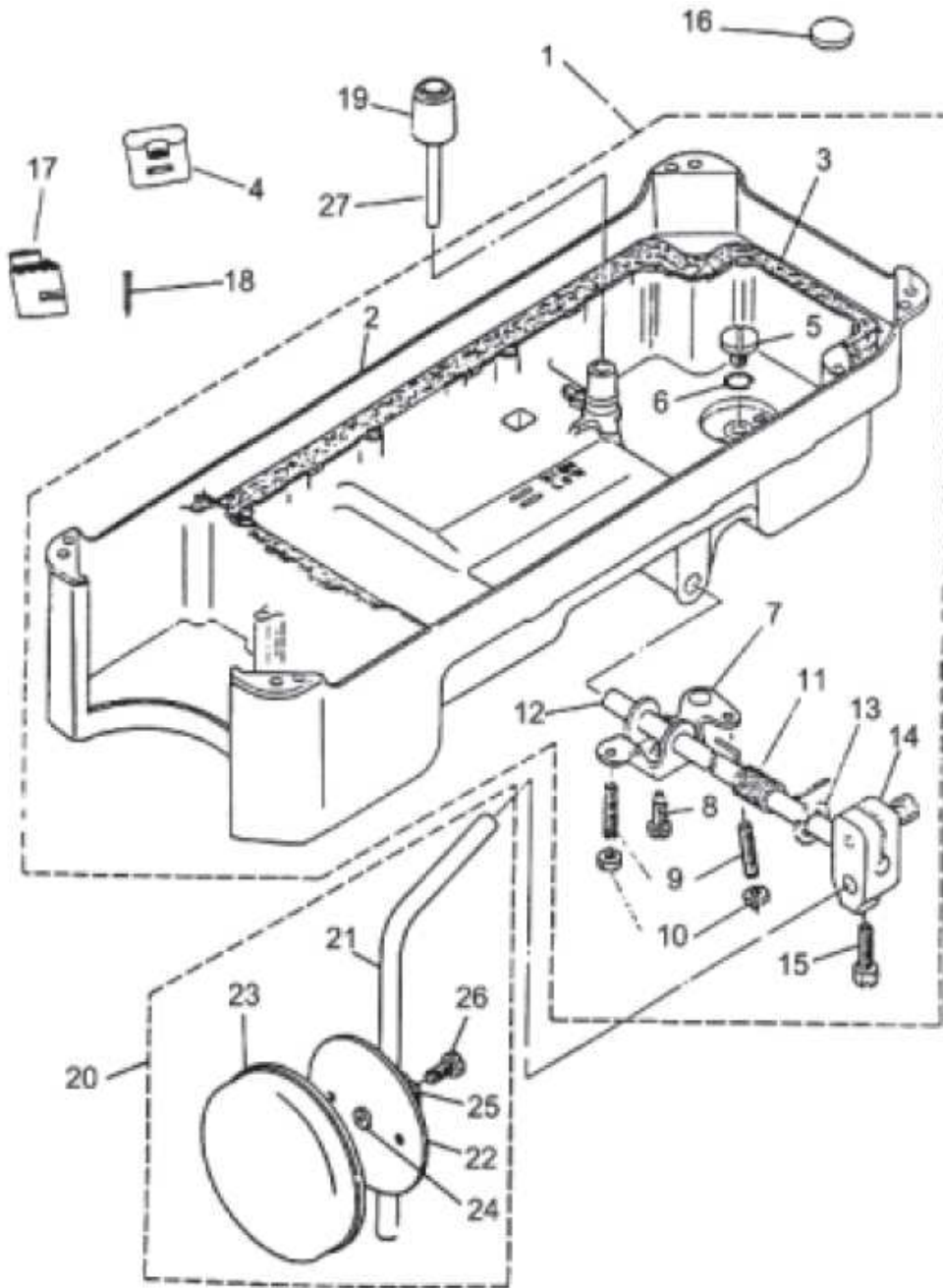
10. Lubrication components



10. Lubrication components

Ref. No.	Part No.	Description	QTY
1	10008817	LUBRICATING OIL PUMP ASM	1
2	10004046	OIL PUMP INSTALLING BASE	1
3	10004062	SCREW	3
4	10004057	WASHER	3
5	10002476	OIL PUMP	1
6	10004061	OIL PUMP BUSHING	1
7	10004063	OIL PUMP IMPELLER	1
8	10004066	OIL PUMP IMPELLER COVER	1
9	10004058	LUBRICATING OIL PUMP COVER	1
10	10004064	SCREW	3
11	10004060	HOOK DRIVING SHAFT OIL TUBE	1
12	10004056	PLUNGER	1
13	10004059	PLUNGER SPRING	1
14	10004043	SCREW	1
15	10004064	SCREW	1
16	10012505	OIL PUMP SUPPORT	1
17	10010066	SCREW	1
18	10003281	WASHER	1
19	10010340	RUBBER JOINT	1
20	10039384	MAIN SHAFT OIL TUBE	1
21	10008807	OIL TUBE	1
22	10008831	OIL ADJUSTING SCREW	1
23	10008806	SPRING	1
24	10007795	OIL RETURN GUARD	1
25	10004476	OIL RETURN TUBE HOLDER	1
26	10008934	SCREW	1
27	10040917	ANTI-DUST OIL FELT	1
28	10010342	OIL FELT	1
29	10010294	OIL FELT PRESSER	1
30	10010339	OIL WICK SUPPORT ASM	1
31	10004065	OIL WICK SUPPORT	1
32	10004045	OIL WICK	1
33	10005558	SCREW	1
34	10012443	WIRE HOLDER BRACKET (LOWER)	1
35	10012445	WIRE HOLDER	1
36	10010074	SCREW	1

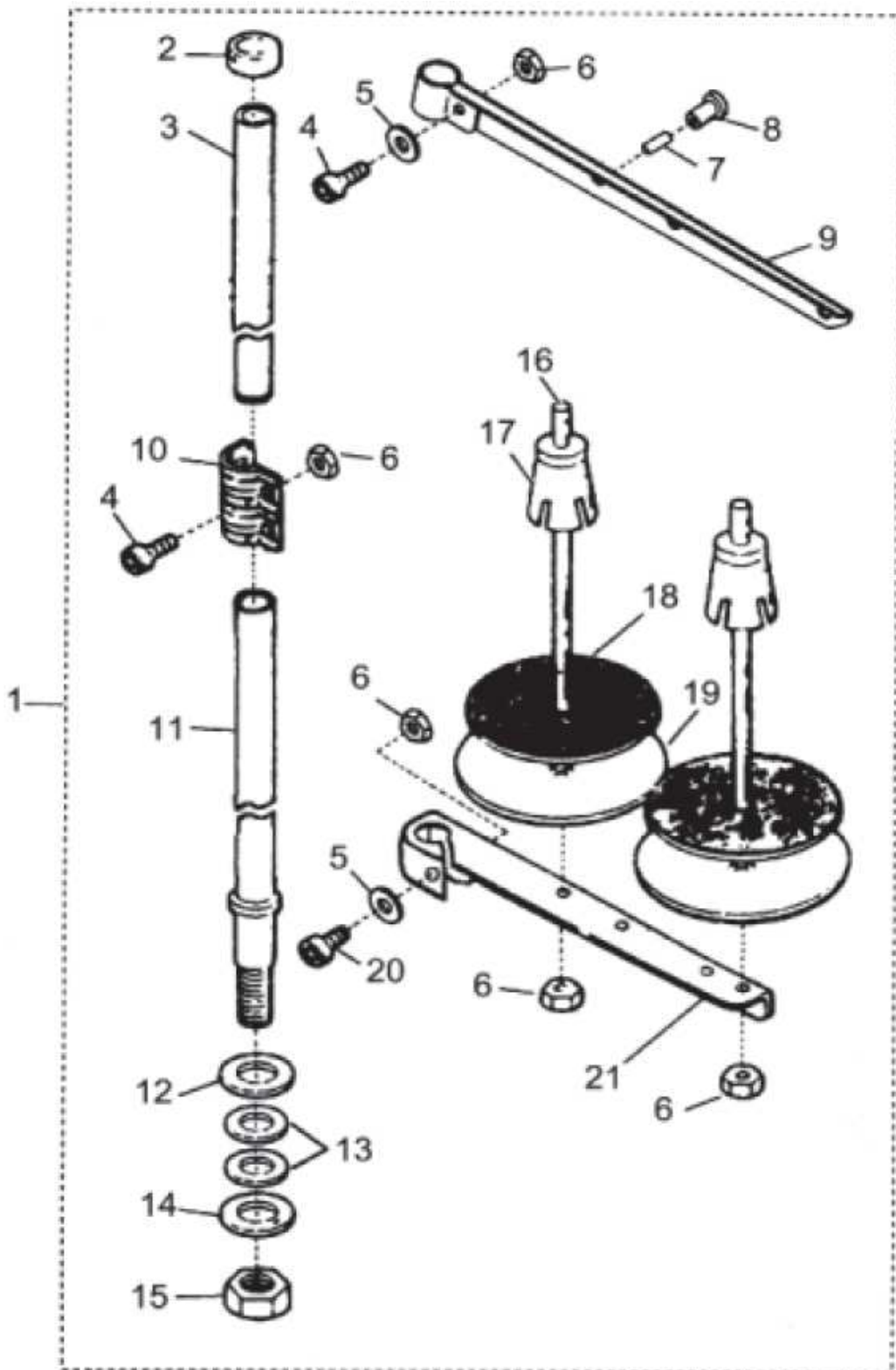
11. Knee lifter and oil reservoir components



11. Knee lifter and oil reservoir components

Ref. No.	Part No.	Description	QTY
1	20002951	OIL PLATE COMPONENTS	1
2	10008313	OIL PLATE	1
3	10014194	OIL PLATE BED	1
4	10009993	MACHINE HEAD BED	4
5	10009991	OIL EXTRACTION HOLE SCREW	1
6	10009988	O-RING OF OIL EXTRACTION HOLE	1
7	10009987	TWO-WAY CRANK OF LIFTING	1
8	10003898	SCREW	1
9	10003895	BANKING SCREW OF TWO-WAY CRANK	2
10	10003890	BANKING NUT OF TWO-WAY CRANK	3
11	10003893	TWISTING SPRING	1
12	10003899	LIFTING PRESSER FOOT SHAFT	1
13	10002559	OPEN SHIELD RING	1
14	10002896	OPERATING BAR HEAD OF LIFTING	1
15	10002613	OPERATING BAR HEAD SCREW	1
16	10003892	OIL PLATE MAGNET	1
17	10009986	OIL PLATE SEAT	2
18	10003889	OIL PLATE NAIL	4
19	10009984	TOP PIN OF LIFTING PRESSER	1
20	10009985	OPERATING BAR COMPONENTS	1
21	10003901	OPERATING BAR	1
22	10003891	OPERATING PLATE	1
23	10004223	SOFT CUSHION OF OPERATING BAR	1
24	10003900	OPERATING BAR BED	1
25	10003897	OPERATING BAR TIP	1
26	10003894	TIP SCREW	1
27	10004222	PIN OF LIFTING PRESSER FOOT	1

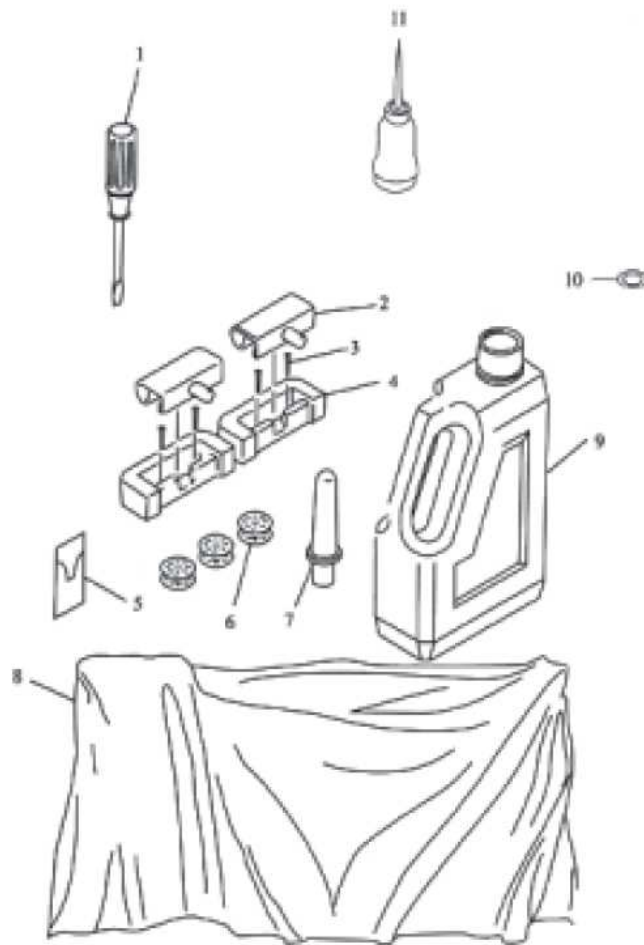
12. Thread stand components



12. Thread stand components

Ref No.	Part No.	Description	QTY
1	10007130	THREAD STAND ASM	
2	10004282	COLUMN CAP	1
3	10004293	COLUMN PIPE (UPPER)	2
4	10003301	SCREW	2
5	10003022	WASHER	5
6	10002953	NUT	1
7	10004289	THREAD GUIDE PIPE	1
8	10004285	THREAD GUIDE BUSHING	1
9	10004298	THREAD HANGER (2 SPOOLS TUBE)	1
10	10004286	COLUMN PIPE CONNECTOR	1
11	10004291	COLUMN PIPE (LOWER)	1
12	10004295	WASHER	1
13	10004290	WASHER	1
14	10004295	WASHER	2
15	10002953	NUT	1
16	10004288	SPOOL PIN	2
17	10004287	SPOOL CUSHION	2
18	10004281	SOFT CUSHION OF THREAD PLATE	2
19	10004299	THREAD PLATE	2
20	10003312	SCREW	1
21	10004284	THREAD HANGER	1

13. Accessories



Ref. No.	Part No.	Description	QTY
1	10010995	SCREW DRIVER, MEDIUM	1
2	10004466	HINGE COMPL.	2
3	10003889	NAIL	6
4	10011041	RUBBER CUSHION	2
5	10003468	NEEDLE	1
6	10025484	BOBBIN	3
7	10004514	FRAME SUPPORT BAR	1
8	10008849	FRAME VINYL COVER	1
9	10004455	OIL BOTTLE WITH OIL	1
10	10008773	RUBBER RING	1
11	10004455	OILER ASM.	1



Dealer:

--