

Parts book  
for high speed direct drive  
automatic lockstitch machine  
with built-in energy saving motor

*Tronic 6*

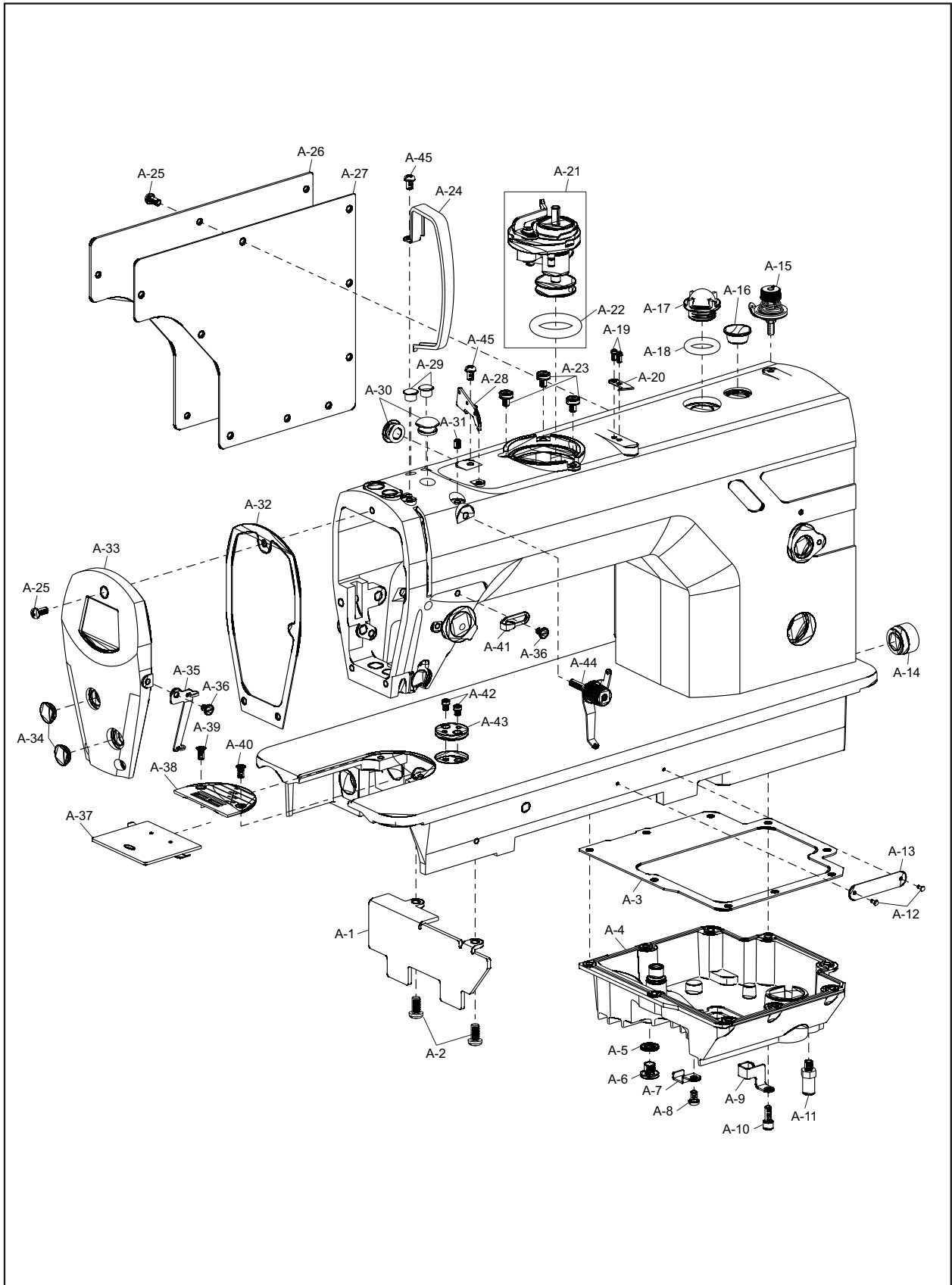
 *texi*



## CONTENTS

A. Machine Frame & Miscellaneous Cover Components.....	1
B. Main Shaft & Thread Take-up Cover Components.....	3
C. Hang Lifter & Tension Release Components.....	5
D. Hook of Driving Shaft Components .....	9
E. Feed Mechanism Components.....	11
F. Thread Trimmer Components.....	15
G. Lubrication Components.....	17
H. Drive-by-wire Components.....	19
I. Thread Stand Components.....	21
J. Auxiliaries.....	23

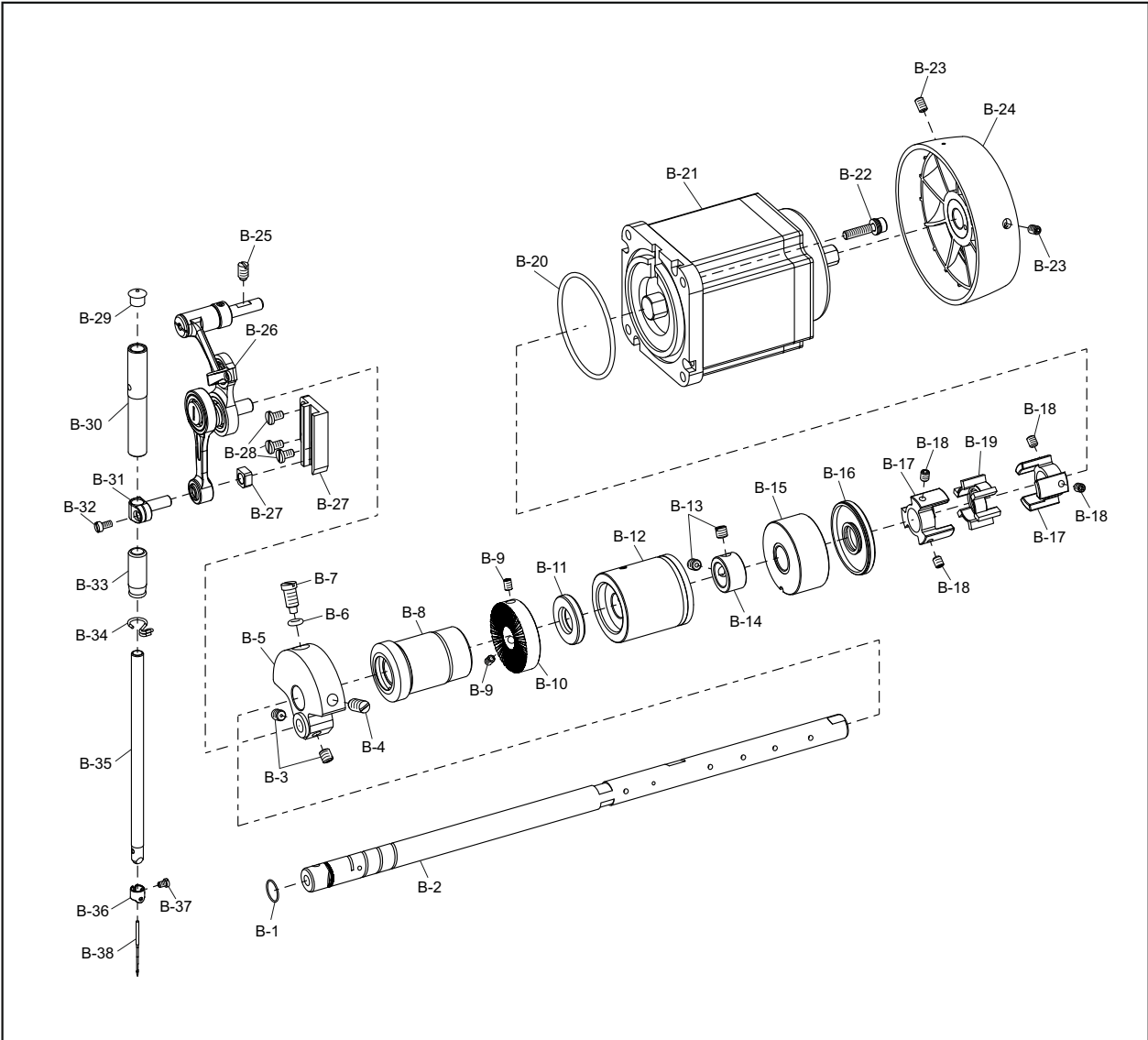
# A. Machine Frame & Miscellaneous Cover Components



## A. Machine Frame & Miscellaneous Cover Components

Ref. No.	Part No.	Description	QTY
A-1	10052014	Front Shaft sleeve plate	1
A-2	10010292	Screw SM15/64"×28	2
A-3	10050168	Tank cover gasket	1
A-4	10050169	Tank cover	1
A-5	10009988	Washer 7.8×13.5×1.3	1
A-6	10009991	Screw SM5/16"×25	1
A-7	10052301	Wire holder	1
A-8	10010899	Screw SM3/16"×28	1
A-9	10052302	Wire holder	1
A-10	10004611	Screw SM3/16"×28	9
A-11	10051330	Bed screw stud	2
A-12	10002840	Rivet 2×5	2
A-13	10041059	Nubering card	1
A-14	10040969	Rubber plug	1
A-15	10051431	Bobbin thread tension ASM.	1
A-16	10009576	Rubber plug	1
A-17	10008938	Oil window	1
A-18	10008939	O-ring 19×3	1
A-19	10050423	Screw SM9/64"×40	2
A-20	10011149	Thread cutter	1
A-21	10031086	Bobbin wider ASM.	1
A-22	10008773	Rubber ring	1
A-23	10004380	Screw SM3/16"×32	3
A-24	10014082	Thread take-up lever cover	1
A-25	10008972	Screw SM3/16"×28	12
A-26	20019350	Side plate	1
A-27	10052026	Side plate gasket	1
A-28	10052992	Thread guide plate	1
A-29	10008943	Rubber plug	2
A-30	10008942	Rubber plug	2
A-31	10041529	Screw SM3/16"×28	1
A-32	10039362	Face plate gasket	1
A-33	20013583	Face plate	1
A-34	10008977	Rubber plug	2
A-35	10040996	Arm thread guide left	1
A-36	10008973	Screw SM11/64"×40	2
A-37	10013706	Push plate ASM.	1
A-38	10053850	Needle plate	1
A-39	10012463	Screw SM11/64"×40	1
A-40	10009005	Screw SM11/64"×40	1
A-41	10008940	Arm thread guide right	1
A-42	10004374	Screw SM11/64"×40	2
A-43	10004373	Ruler plate	1
A-44	10051703	Upper thread take-up device ASM.	1
A-45	10008934	Screw SM3/16"×28	2

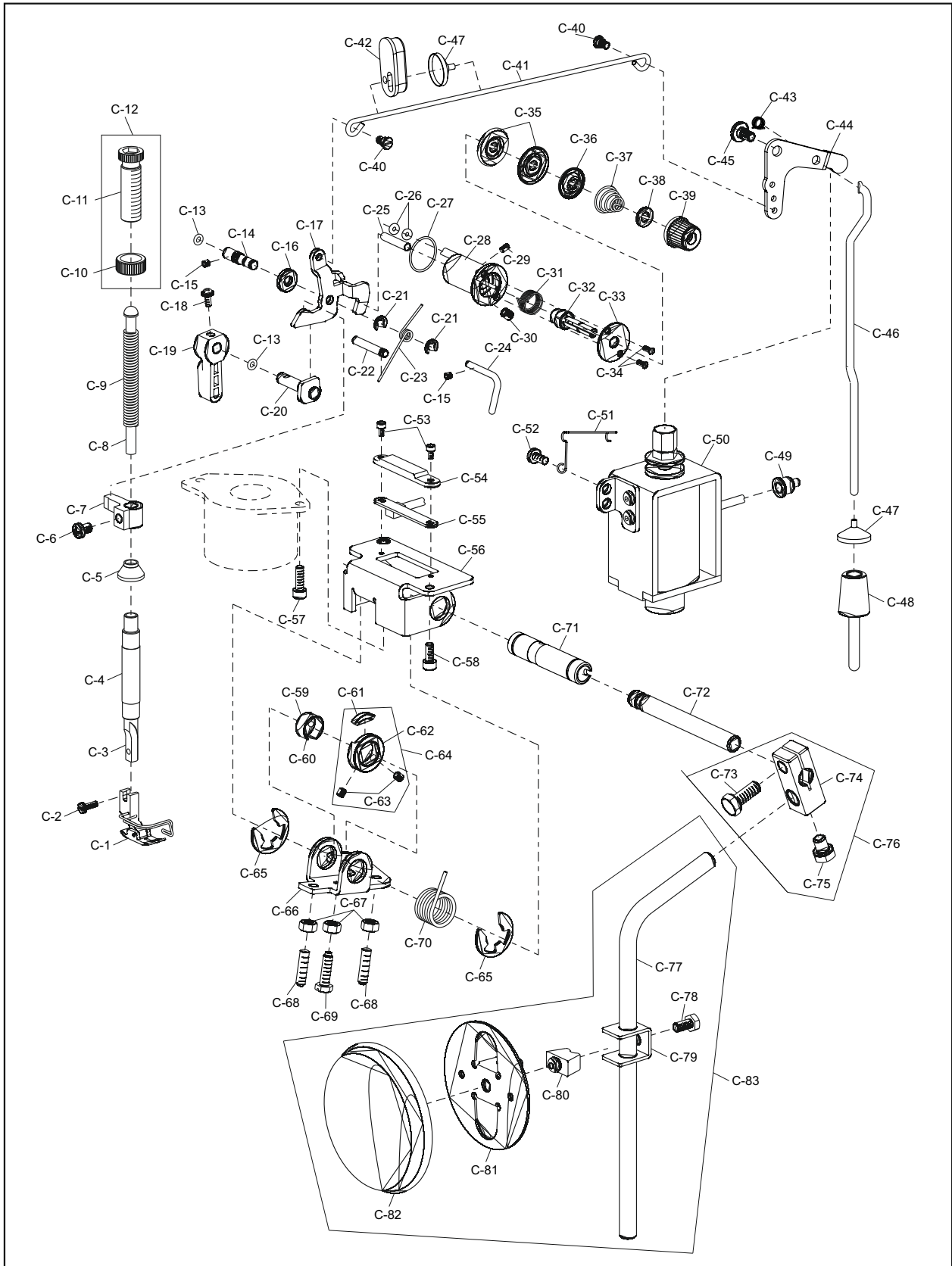
### B. Main Shaft & Thread Take-up Cover Components



## B. Main Shaft & Thread Take-up Cover Components

Ref. No.	Part No.	Description	QTY
B-1	10008886	O-ring 12.2×0.8	1
B-2	10052729	Main shaft	1
B-3	10010065	Screw SM1/4"×40	2
B-4	10010082	Screw SM9/32"×28	1
B-5	10008850	Counter weight	1
B-6	10010534	O-ring 9.2×2.4	1
B-7	10010545	Screw SM9/32"×28	1
B-8	10053352	Shaft sleeve	1
B-9	10012062	Screw SM11/64"×40	2
B-10	10004472	Driving wheel	1
B-11	10013448	Oil seal 30×13.8	1
B-12	10040992	Shaft sleeve	1
B-13	10005020	Screw SM1/4"×40	2
B-14	10051571	Thrust collar	1
B-15	10052723	Shaft sleeve	1
B-16	10052728	Oil seal 45×13.5	1
B-17	10043231	Coupling	2
B-18	10011803	Screw M5×6	4
B-19	10043233	Washer	1
B-20	10002436	O-ring 63×2.65	1
B-21	10052995	Motor	1
B-22	10006157	Screw M5 ASM.	4
B-23	10002436	Screw M5×8	2
B-24	10054357	Head wheel ASM.	1
B-25	10010083	Screw SM15/64"×28	1
B-26	10052994	Thread take-up lever ASM.	1
B-27	10054365	Rail side ASM	1
B-28	10043360	Screw SM11/64"×40	3
B-29	10010587	Rubber plug	1
B-30	10053132	Shaft sleeve	1
B-31	10052735	Needle bar holder	1
B-32	10030286	Screw SM9/64"×40	1
B-33	10008955	Shaft sleeve	1
B-34	10005943	Needle bar thread guide	1
B-35	10029607	Needle bar 135x5	1
B-36	10013181	Needle bar thread guide	1
B-37	10013182	Screw SM1/8"×40	1
B-38		Needle 135x5	1

### C. Hang Lifter & Tension Release Components

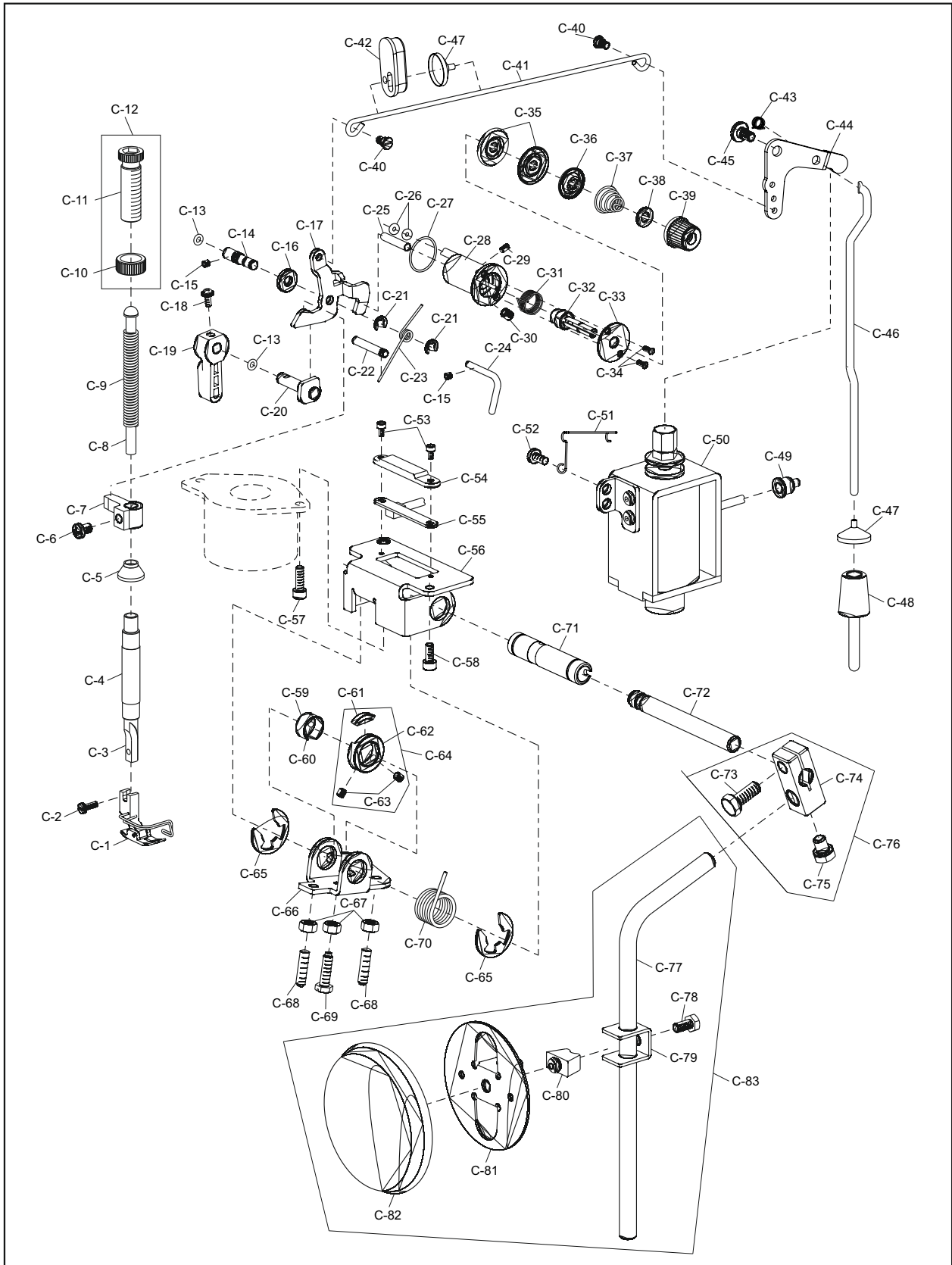




### C. Hang Lifter & Tension Release Components

Ref. No.	Part No.	Description	QTY
C-1	10052532	Presser foot ASM.	1
C-2	10010650	Screw SM9/64"×40	1
C-3	10010646	Presser bar	1
C-4	10014118	Shaft sleeve	1
C-5	10011457	Oil protector cover	1
C-6	10000325	Screw M6×8	1
C-7	10039365	Presser guide bar bracket	1
C-8	10004439	Presser guide bar	1
C-9	10004473	Spring	1
C-10	10051429	Nut	1
C-11	10051428	Screw	1
C-12	10051433	Screw ASM.	1
C-13	10010027	O-ring 3.68×1.78	2
C-14	10039373	Pin	1
C-15	10009074	Screw M4×4	2
C-16	10051244	Gasket 6.2×15×2.7	1
C-17	10051168	Lifting lever	1
C-18	10010016	Screw SM9/64"×40	1
C-19	10051430	Hand lifter	1
C-20	10050190	Hand lifter CAM ASM.	1
C-21	10013038	Closing ring 5×0.8	2
C-22	10039374	Pin	1
C-23	10052046	Spring	1
C-24	10039823	Presser bar thread guide	1
C-25	10037578	Tension release supporting pin	1
C-26	10053384	O-ring 2×1.8	1
C-27	10053484	O-ring 17×1	1
C-28	10053473	Electromagnetic	1
C-29	10002896	Screw M4×5	1
C-30	10010678	Screw SM15/64"×28	1
C-31	10053259	Spring	1
C-32	10037581	Screw	1
C-33	10051910	Lock plate	1
C-34	10010399	Screw SM3/32"×56	2
C-35	10005489	Thread tension disk	2
C-36	10004625	Thread tension disk presser	1
C-37	10004176	Spring	1
C-38	10004199	Rotating stopper	1
C-39	10051457	Thread tension nut	1
C-40	10010651	Screw SM3/16"×32	2
C-41	10053854	Lifting lever connecting rod	1
C-42	10053578	Rubber plug	1
C-43	10009205	Spring	1
C-44	10051828	Lifting lever link	1
C-45	10010652	Screw	1
C-46	10050667	Connecting rod vertical	1
C-47	10053351	Oil shield	2

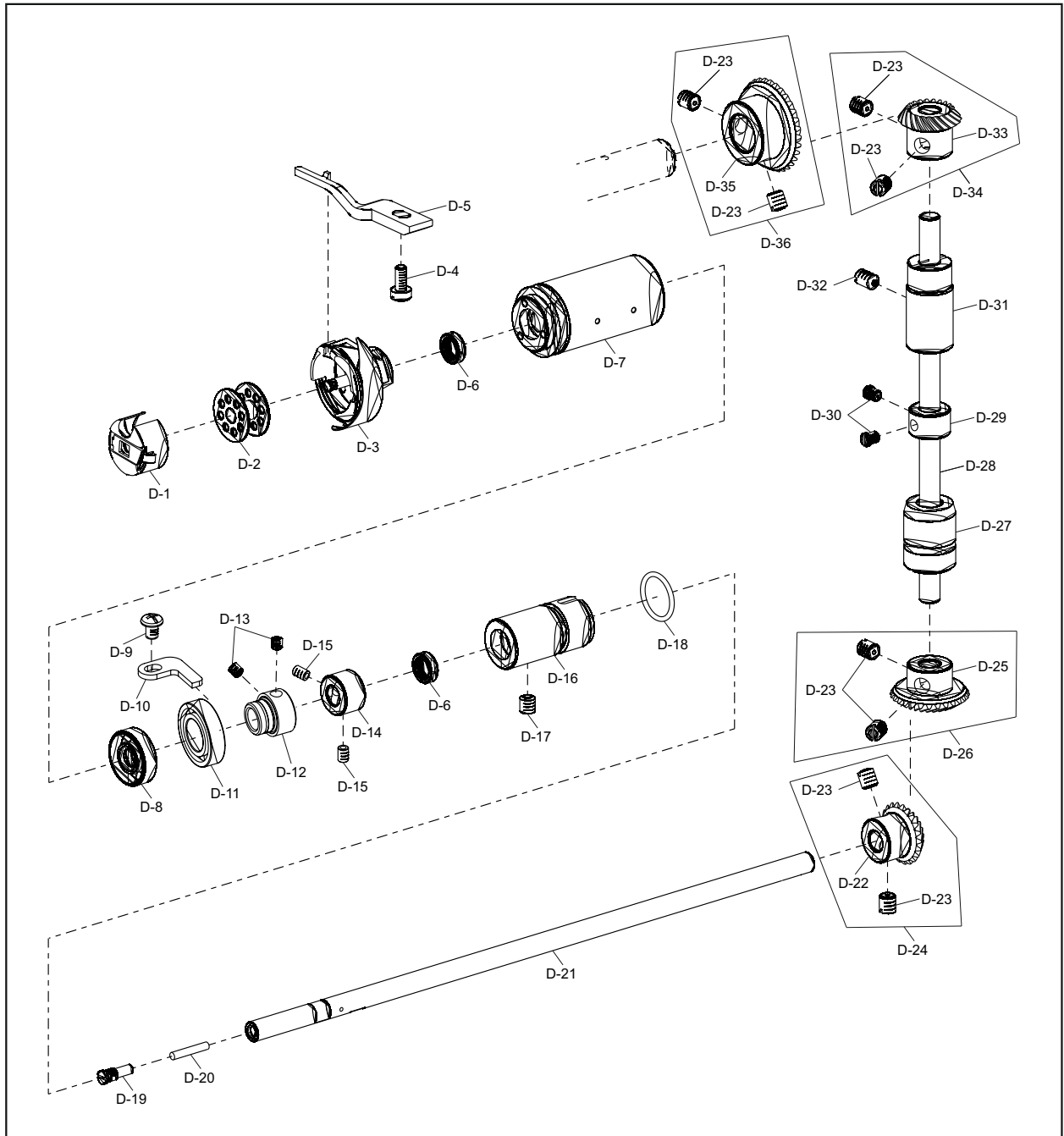
### C. Hang Lifter & Tension Release Components



### C. Hang Lifter & Tension Release Components

Ref. No.	Part No.	Description	QTY
C-48	10051176	Lifting mandril	1
C-49	10040990	Cable sleeve	1
C-50	10051708	Electromagnetic	1
C-51	10053527	Wire holder	1
C-52	10000134	Screw M5×10	4
C-53	10002975	Screw M3×6	2
C-54	10052808	Cover	1
C-55	10052527	Force sensor cluster	1
C-56	10051700	Knee pressing rod bracket ASM.	1
C-57	10054287	Screw SM3/16"×28 L=20	1
C-58	10054531	Screw SM3/16"×28 L=12	1
C-59	10051622	Ball retainer	1
C-60	10051704	Iron shot	1
C-61	10052525	Magnet	1
C-62	10052526	Aluminum ring	1
C-63	10003153	Screw M5×5	2
C-64	10052524	Magnet ASM.	1
C-65	10003229	Closing ring 15×1.5	2
C-66	10051174	Crank	1
C-67	10003890	Nut M6×3.2	3
C-68	10054545	Screw M6×24	2
C-69	10051614	Screw M6	1
C-70	10051175	Spring	1
C-71	10051178	Knee pressing shaft	1
C-72	10051169	Knee pressing rod ASM.	1
C-73	10002613	Bolt M8×20	1
C-74	10003896	Connection	1
C-75	10002610	Bolt M8×10	1
C-76	10002562	Connection ASM.	1
C-77	10052479	Knee pressing rod	1
C-78	10003894	Screw SM15/64"×28	1
C-79	10003897	Connection	1
C-80	10003900	Knee pressing plate rubber	1
C-81	10003891	Knee pressing plate	1
C-82	10004223	Knee pressing cover	1
C-83	10052476	Knee pressing rod ASM.	1

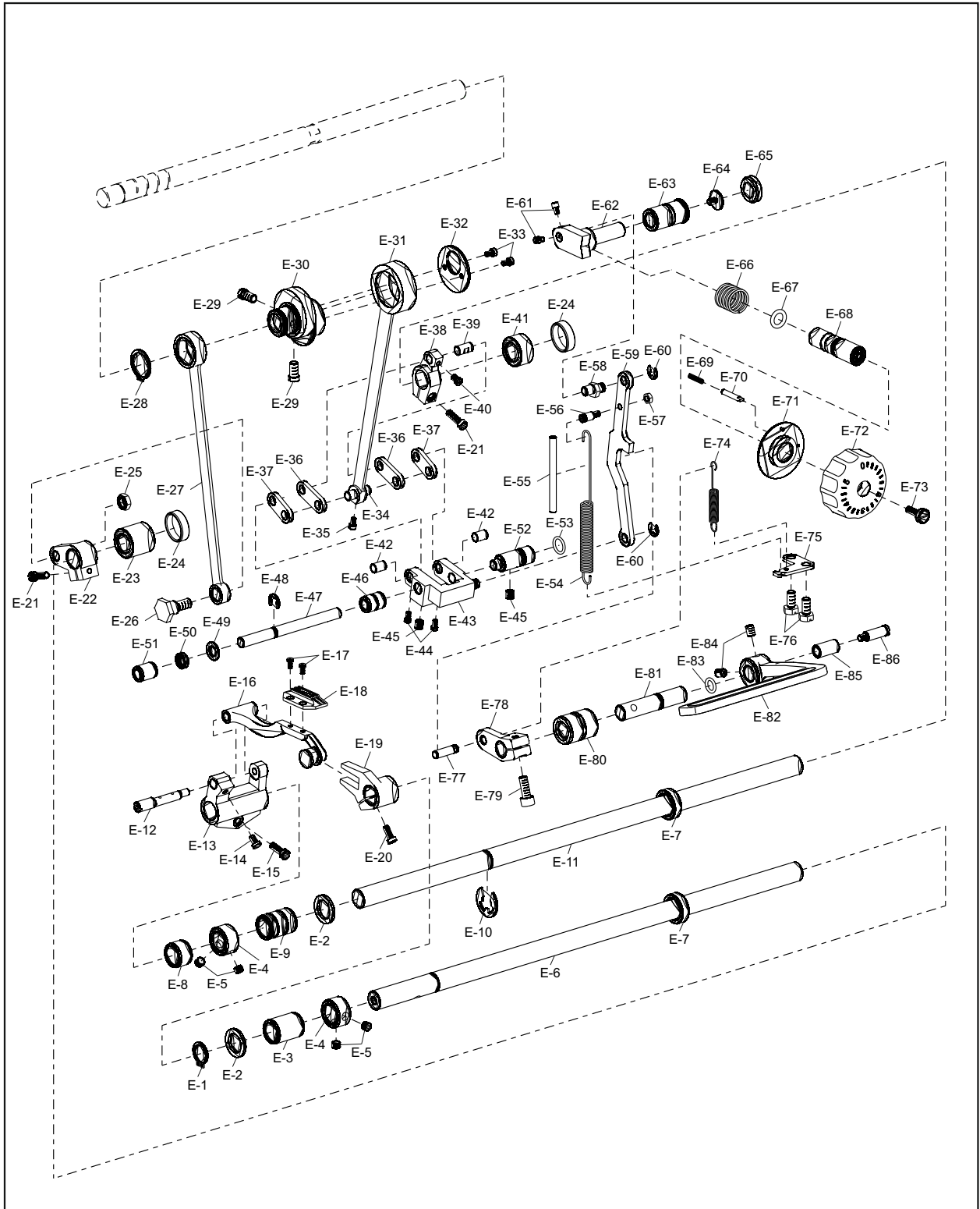
### D. Hook of Driving Shaft Components



## D. Hook of Driving Shaft Components

Ref. No.	Part No.	Description	QTY
D-1	10006924	Bobbin case	1
D-2	10025484	Bobbin	1
D-3	10038530	Hook	1
D-4	10011101	Screw SM11/64"×40	1
D-5	10031260	Positioning finger	1
D-6	10013029	Oil sealing 7.94×12×3.5	2
D-7	10040984	Bearing Shaft sleeve	1
D-8	10014503	Oil sealing 7.94×22×6.5	1
D-9	10013128	Screw SM11/64"×40	1
D-10	10053633	Bearing baffle	1
D-11	10026221	Bearing	1
D-12	10000458	Bearing sleeve	1
D-13	10013590	Screw SM11/64"×40	2
D-14	10052812	Thrust collar	2
D-15	10012062	Screw SM11/64"×40	4
D-16	10041546	Bearing Shaft sleeve	1
D-17	10013538	Screw SM15/64"×28	1
D-18	10003794	O-ring 16×1.8	1
D-19	10010064	Screw	1
D-20	10010063	Oil wick	1
D-21	10041001	Hook driving shaft	1
D-22	10010062	Gear	1
D-23	10010065	Screw SM1/4"×40	8
D-24	10002561	Gear ASM.	1
D-25	10010029	Gear	1
D-26	10002509	Gear ASM.	1
D-27	10007235	Shaft sleeve	1
D-28	10051572	Upright shaft	1
D-29	10010058	Thrust collar	1
D-30	10010059	Screw SM11/64"×40	2
D-31	10052730	Shaft sleeve	1
D-32	10039610	Screw SM3/16"×28	1
D-33	10003937	Gear	1
D-34	10002560	Gear ASM.	1
D-35	10010056	Gear	1
D-36	10002445	Gear ASM.	1

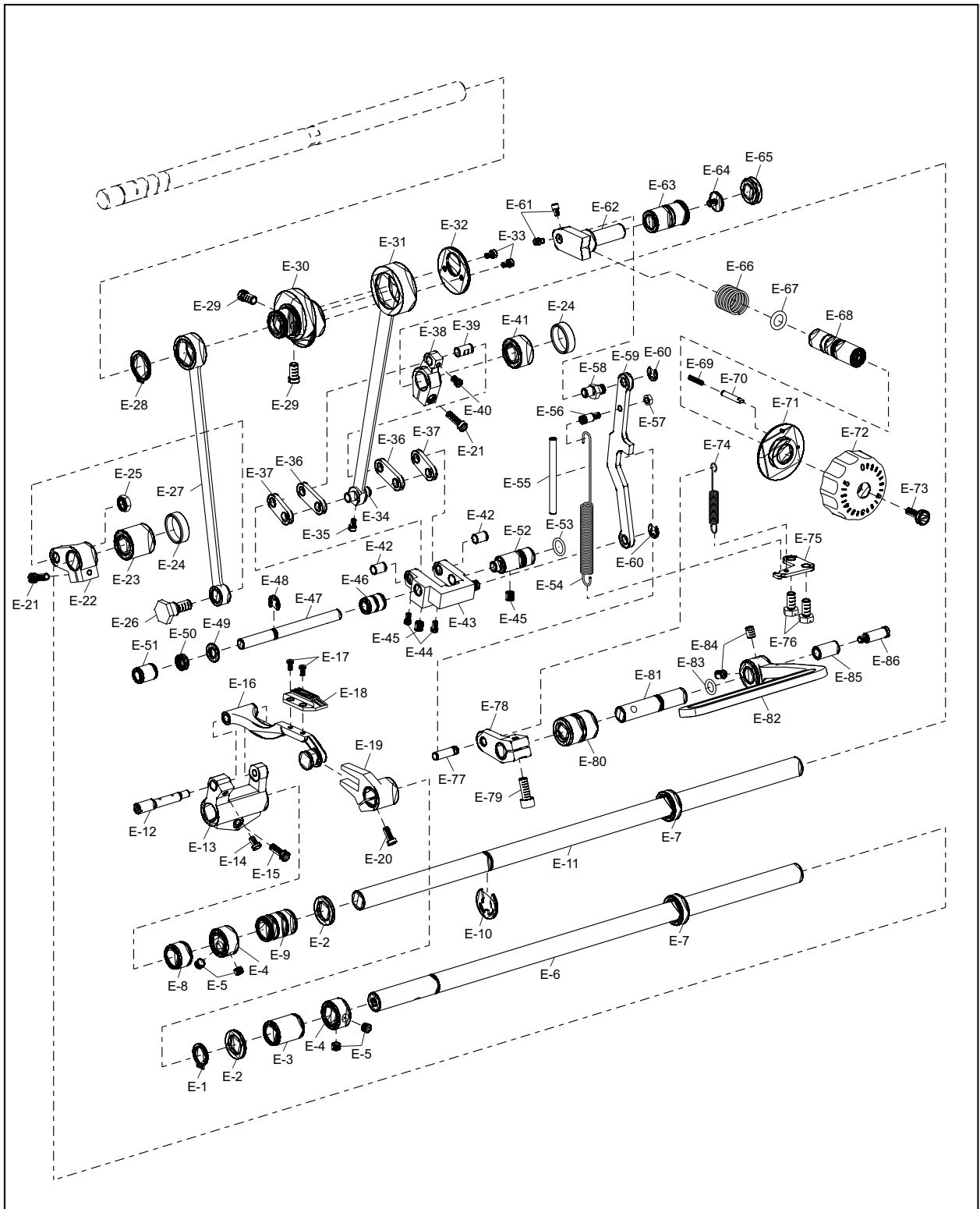
# E. Feed Mechanism Components



## E. Feed Mechanism Components

Ref. No.	Part No.	Description	QTY
E-1	10010090	Closing ring 13.8×1	1
E-2	10010902	Washer 15×23×2	2
E-3	10040977	Shaft sleeve	1
E-4	10010542	Closing ring	2
E-5	10038073	Screw SM1/4"×40	4
E-6	10040985	Feed driving shaft	1
E-7	10012536	Oil seal 14.72×22×7	2
E-8	10050164	Shaft sleeve	1
E-9	10052043	Shaft sleeve	1
E-10	10003232	Closing ring 12×1.2	1
E-11	10040983	Feed rocker shaft	1
E-12	10004440	Pin	1
E-13	10004474	Feed bar driving crank	1
E-14	10010074	Screw SM11/64"×40	1
E-15	10004993	Screw SM3/16"×28	1
E-16	20019012	Feed bar ASM.	1
E-17	10010099	Screw SM1/8"×44	2
E-18	10052531	Feed dog	1
E-19	10010100	Crank	1
E-20	10004628	Screw SM11/64"×40	1
E-21	10010095	Screw SM3/16"×28	2
E-22	10010086	Crank	1
E-23	10052944	Shaft sleeve	1
E-24	10054363	Rubber plug	2
E-25	10004475	Nut SM9/32"×28	1
E-26	10051856	Screw SM9/32"×28	1
E-27	10010084	Connecting rod	1
E-28	10010089	Closing ring 18.5×1.2	1
E-29	10010092	Screw SM1/4"×40	2
E-30	10010115	Feed drive eccentric cam	1
E-31	10010072	Connecting rod	1
E-32	10010098	Thrust cover	1
E-33	10010643	Screw SM9/64"×40	2
E-34	10010069	Pin	1
E-35	10010071	Screw SM9/64"×40	1
E-36	10010068	Long link	2
E-37	10010075	Short link	2
E-38	10010076	Crank	1
E-39	10010096	Pin	1
E-40	10013015	Screw SM11/64"×40	1
E-41	10040989	Shaft sleeve	1
E-42	10010087	Pin	2
E-43	10050387	Feed adjusting ASM.	1
E-44	10010197	Screw SM9/64"×40	2
E-45	10010678	Screw SM15/64"×28	2
E-46	10041003	Shaft sleeve	1
E-47	10040965	Automated reverse feed shaft	1

## E. Feed Mechanism Components

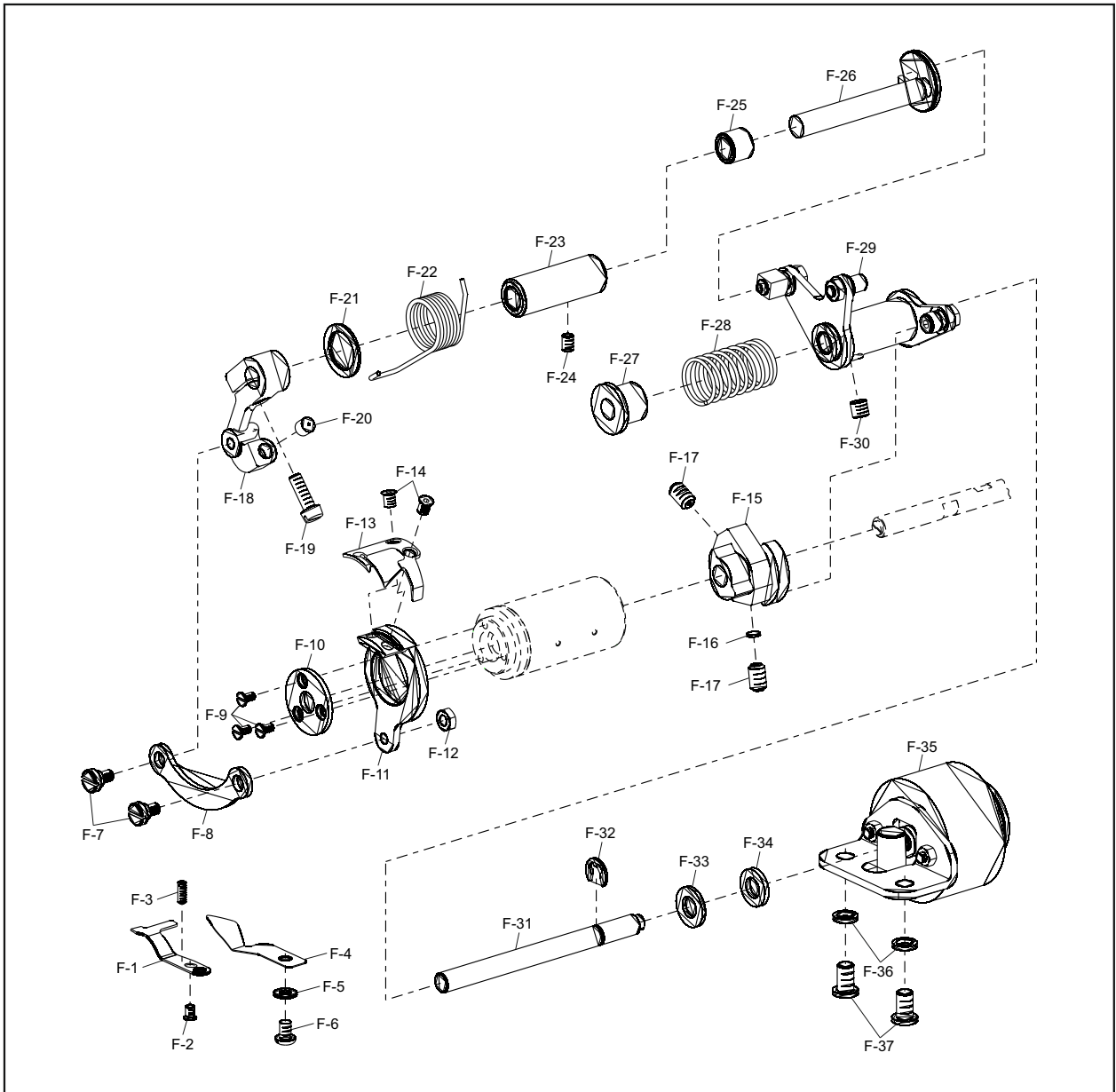




## E. Feed Mechanism Components

Ref. No.	Part No.	Description	QTY
E-48	10009654	Closing ring 6×1	1
E-49	10010932	Washer 8.2×14.2×1	1
E-50	10013029	Oil seal 7.94×12×3.5	1
E-51	10040966	Shaft sleeve	1
E-52	10040974	Pin	1
E-53	10006281	O-ring 10×1.8	1
E-54	10040997	Spring	1
E-55	10007800	Vitta 3×5	1
E-56	10051074	Screw	1
E-57	10010370	Nut SM11/64'×40	1
E-58	10026886	Pin	1
E-59	10051073	Feed adjust rod	1
E-60	10010649	Closing ring 5.1×0.6	2
E-61	10051742	Screw SM9/64"×40	2
E-62	10008848	Feed regulator	1
E-63	10008956	Shaft sleeve	1
E-64	10010238	Screw	1
E-65	10008975	Rubber plug	1
E-66	10051621	Spring	1
E-67	10010240	O-ring 9.2×2.7	1
E-68	10036738	Screw	1
E-69	10013869	Spring	1
E-70	10051619	Pin	1
E-71	10051578	Arresting disc ASM.	1
E-72	10051615	Feed dial	1
E-73	10051845	Screw SM3/16"×28	1
E-74	10010237	Spring	1
E-75	10051180	Plate	1
E-76	10050422	Screw SM15/64"×28	2
E-77	10010287	Pin	1
E-78	10039853	Reverse feed crank	1
E-79	10009008	Screw M6×16	1
E-80	10014119	Shaft sleeve	1
E-81	10008827	Reverse feed shaft	1
E-82	20008375	Reverse feed control lever	1
E-83	10010243	O-ring 7.8×2	1
E-84	10040504	Screw M6	2
E-85	10050706	Rubber sleeve	1
E-86	10050707	Screw	1

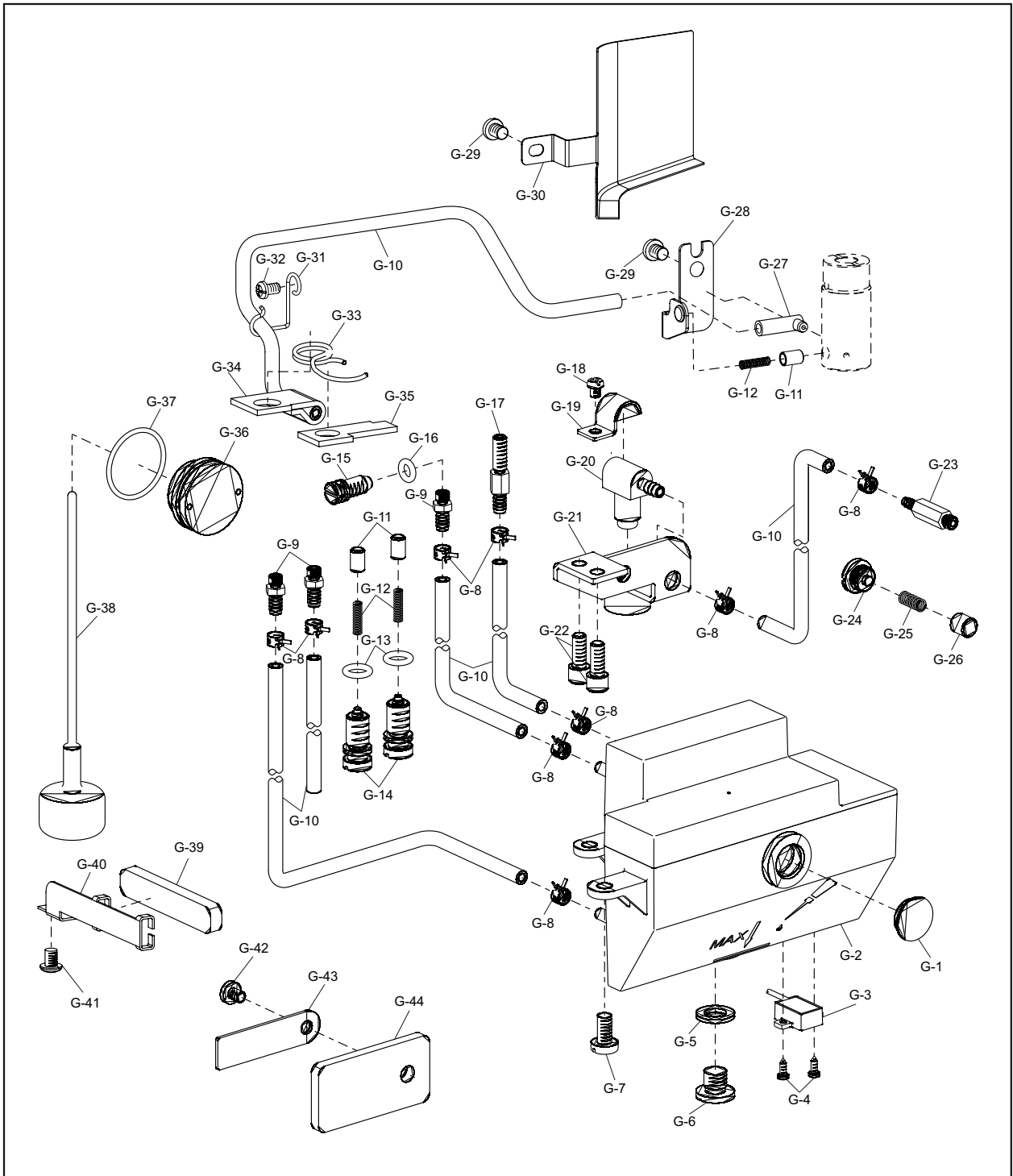
## F. Thread Trimmer Components



## F. Thread Trimmer Components

Ref. No.	Part No.	Description	QTY
F-1	10011421	Fixed knife	1
F-2	10011422	Screw SM9/64"×40	1
F-3	10024496	Screw SM1/8"×40	1
F-4	10011584	Dispart	1
F-5	10013154	Washer 9×4.5×0.8	1
F-6	10014474	Screw SM11/64"×40	1
F-7	10011514	Screw SM11/64"×40	2
F-8	10011577	Knife shaft crack rod	1
F-9	10009626	Screw M3×4.35	3
F-10	10013026	Knife holder	1
F-11	10050165	Round knife bracket	1
F-12	10011578	Nut SM11/64"×40	1
F-13	10011494	Round knife	1
F-14	10011588	Screw SM11/64"×40	2
F-15	10010736	Thread trimmer cam	1
F-16	10023739	Cam collar	1
F-17	10013465	Screw SM1/4"×40	2
F-18	10052403	Trimming crank	1
F-19	10008863	Screw SM3/16"×32	1
F-20	10011580	Block	1
F-21	10008865	Washer 15.3×21×1	1
F-22	10011649	Spring	1
F-23	10051577	Shaft sleeve	1
F-24	10012062	Screw SM11/64"×40	1
F-25	10011630	Short bushing	1
F-26	10008866	Trimming crank shaft	1
F-27	10014196	Spring cover	1
F-28	10008812	Spring	1
F-29	10011686	Trimming cam crank ASM.	1
F-30	10008862	Screw SM1/4"×40	1
F-31	10054362	Trimming shaft ASM.	1
F-32	10009654	Closing ring 6×1	1
F-33	10003031	Washer 8.4×16×1.6	1
F-34	10011650	Washer 8.2×15×2	1
F-35	10050154	Thread trimmer solenoid ASM.	1
F-36	10054384	Washer 5	2
F-37	10011605	Screw SM1/4"×28	2

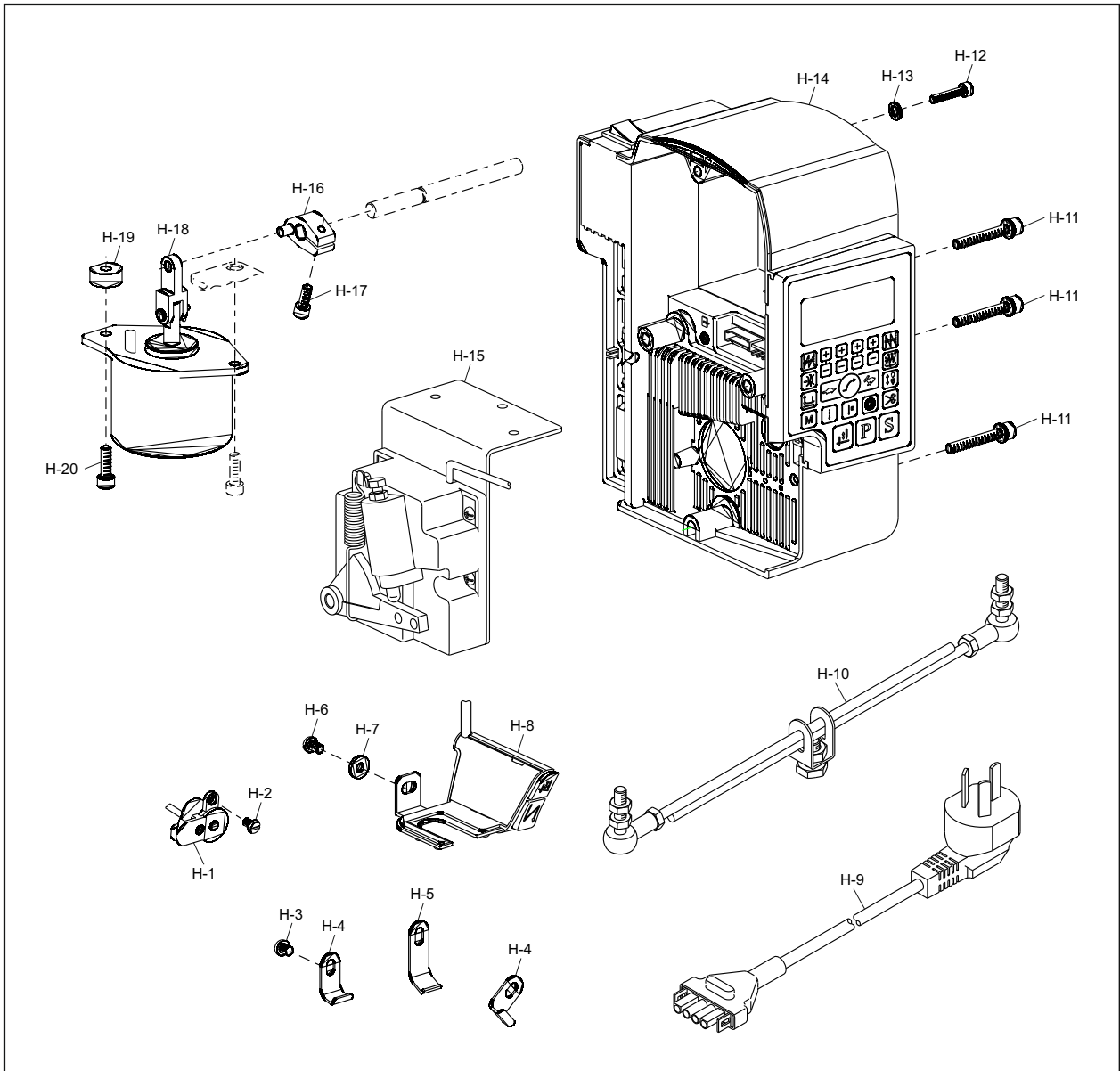
# G. Lubrication Components



## G. Lubrication Components

Ref. No.	Part No.	Description	QTY
G-1	10008977	Rubber plug	1
G-2	10050156	Oil box	1
G-3	10051706	Oil mass annunciator ASM.	1
G-4	10053851	Screw PA1.6×6	2
G-5	10010240	O-ring 9.2×2.7	1
G-6	10008783	Screw SM5/16"×24	1
G-7	10008972	Screw SM3/16"×28	3
G-8	10012160	Clamp	9
G-9	10052811	Oil connection	3
G-10	10007800	Oil tube 3×5	6
G-11	10052045	Plunger	3
G-12	10014386	Spring	3
G-13	10014461	O-ring 6.5×2	2
G-14	10013025	Screw SM1/16"×24	2
G-15	10052049	Screw	1
G-16	10012606	O-ring 4.5×2	1
G-17	10052050	Oil connection	1
G-18	10010797	Screw SM9/64"×40	1
G-19	10052015	Oil connection holder	1
G-20	10000468	Oil connection	1
G-21	10052013	Oil pipe bracket	1
G-22	10014477	Screw SM3/16"×28	2
G-23	10052044	Oil connection	1
G-24	10051081	Screw	1
G-25	10051079	Spring	1
G-26	10051080	Plunger	1
G-27	10052731	Oil connection	1
G-28	10052732	Plunger holder	1
G-29	10000098	Screw SM3/16"×28	2
G-30	10052810	Oil drip pan	1
G-31	10053704	Tubing buckle	1
G-32	10008934	Screw SM3/16"×28	1
G-33	10042077	Oil felt presser	1
G-34	10053465	Wool felt	1
G-35	10053466	Wool felt	1
G-36	10009118	Indicator ASM.	1
G-37	10008980	O-ring 1.4×23	1
G-38	10052048	Oil pointer ASM.	1
G-39	10051592	Wool felt	1
G-40	10051595	Felt pressure plate	1
G-41	10042077	Screw SM11/64"×40	1
G-42	10009556	Screw M4×7	1
G-43	10051594	Felt pressure plate	1
G-44	10051593	Wool felt	1

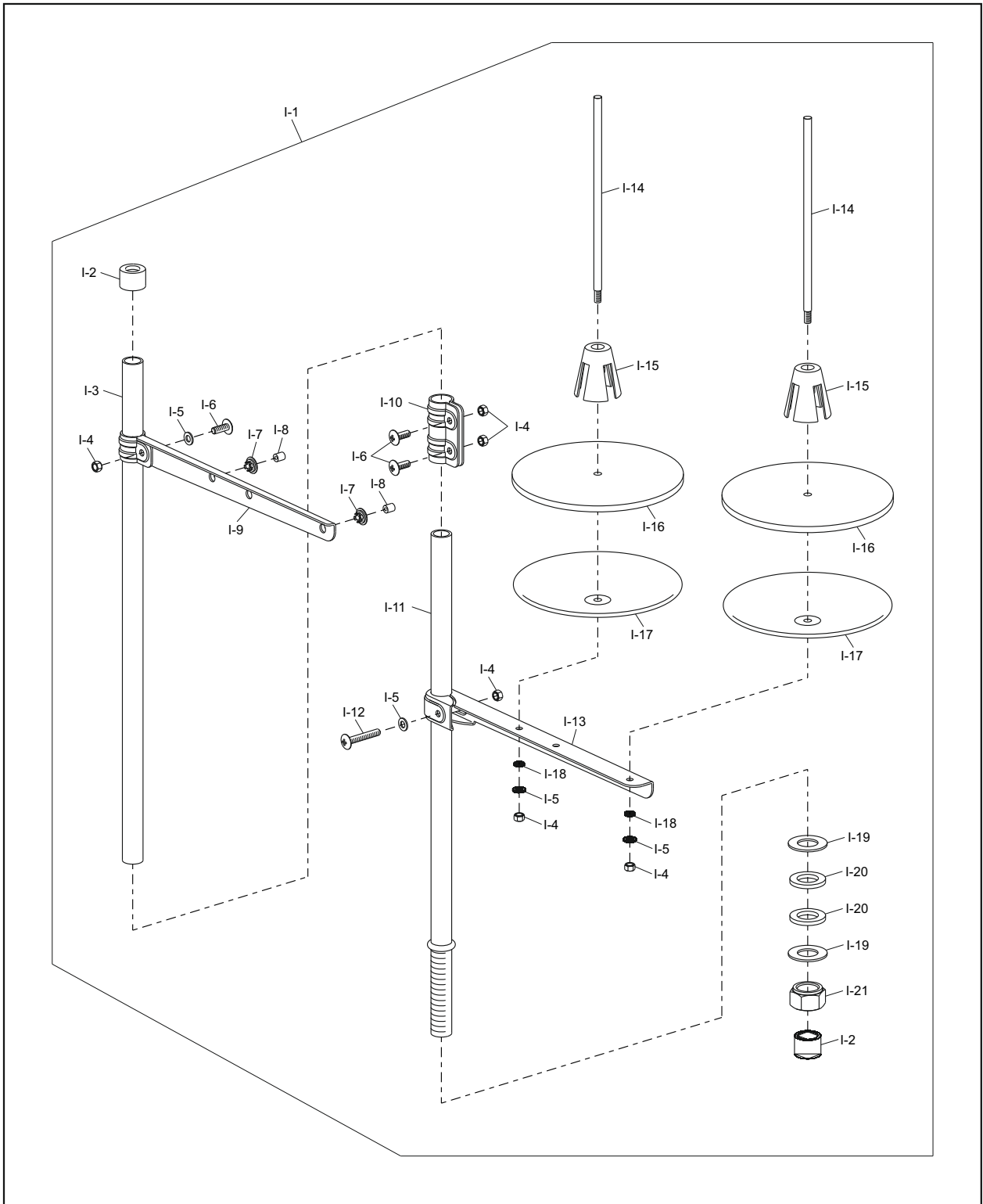
## H. Drive-by-wire Components



## H. Drive-by-wire Components

Ref. No.	Part No.	Description	QTY
H-1	10039460	Electromagnet tension disk	1
H-2	10005204	Screw M4×6	1
H-3	10010899	Screw SM3/16"×28	1
H-4	10035172	Cord holder	2
H-5	10031556	Cord holder	1
H-6	10008934	Screw SM3/16"×28	1
H-7	10011168	Washer 4.8×11.6×1.6	1
H-8	10052993	Led lamp ASM.	1
H-9	10042942	Cable	1
H-10	10042945	Pedal control rod ASM.	1
H-11	10049837	Screw M5	3
H-12	10012080	Screw M4×20	1
H-13	10006115	Washer 5.3×9×1	1
H-14	10052996	Control box	1
H-15	10031424	Pedal unit ASM.	1
H-16	10051173	Crank ASM.	1
H-17	10004611	Screw SM3/16"×28	1
H-18	10051241	Backstitch electromagnet ASM.	1
H-19	10051620	Washer	1
H-20	10054287	Screw SM3/16"×28	1

# I. Thread Stand Components

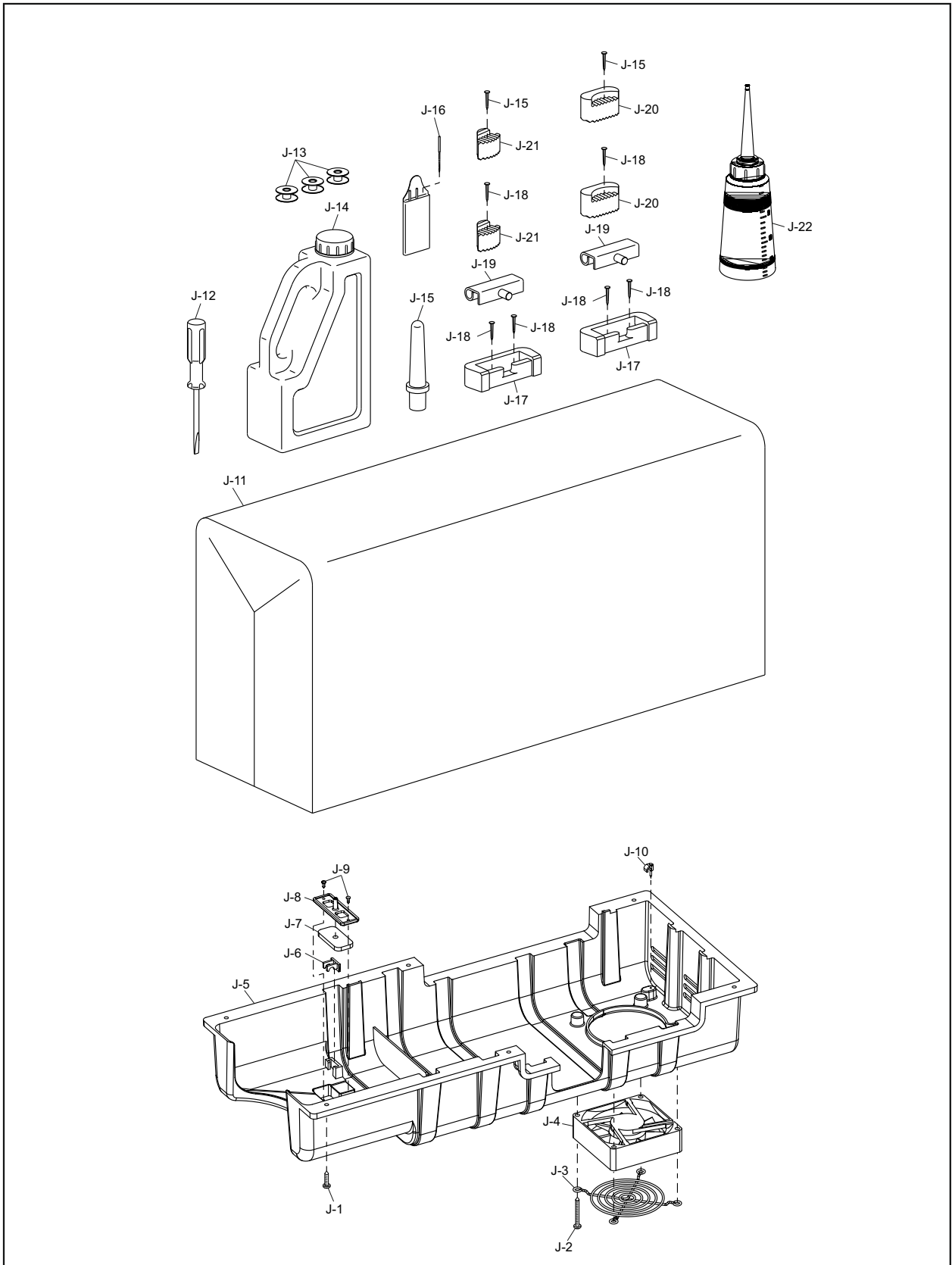




## I. Thread Stand Components

Ref. No.	Part No.	Description	QTY
I-1	10007130	Thread stand ASM.	1
I-2	10004282	Column cap	2
I-3	10004293	Column pipe(upper)	1
I-4	10002953	Nut M5	6
I-5	10003022	Washer 5	4
I-6	10003301	Screw M5×14	3
I-7	10004285	Thread guide bushing	2
I-8	10004289	Thread guide pipe	2
I-9	10004298	Thread hanger(upper)	1
I-10	10004286	Column pipe connector	1
I-11	10004291	Column pipe(lower)	1
I-12	10003312	Screw M5×30	1
I-13	10004284	Thread hanger(lower)	1
I-14	10004288	Spool pin	2
I-15	10004287	Spool cushion	2
I-16	10004281	Spool mat	2
I-17	10004299	Spool seat disc	2
I-18	10003077	Washer 5	2
I-19	10004290	Washer 16×30×1.5	2
I-20	10004295	Washer 16.5×27.5×3	2
I-21	10002985	Nut M16	1

# J. Auxiliaries



## J. Auxiliaries

Ref. No.	Part No.	Description	QTY
J-1	10008323	Screw ST 4.2×20	6
J-2	10054672	Screw ST 3.5×32	4
J-3	10054673	Fan protective cover	1
J-4	10054470	Fan	1
J-5	10051332	Oil reservoir	1
J-6	10051652	Holder	1
J-7	10051707	Scavenging felt	1
J-8	10051651	Scavenging felt holder	1
J-9	10003185	Screw ST2.2×6.5	2
J-10	10054910	Wire clamp ASM.	1
J-11	*	Head cover	1
J-12	10010995	Screw driver	1
J-13	10025484	Bobbin	3
J-14	10004455	Oil box	1
J-15	10050425	Head pole	1
J-16	10034917	Needle DB×1 14#	3
J-17	10011041	Head connecting hook socket	2
J-18	10003889	Nail	8
J-19	10004466	Head connecting hook	2
J-20	10051245	Oil reservoir cushion	2
J-21	10051246	Oil reservoir seat	2
J-22	10054706	Oil bottle ASM.	1



Dealer:

--