

Parts list

High Speed Direct Drive

Automatic Lockstitch Machine

with Built-in Energy Saving Motor

## **Tronic 7**



*texi*

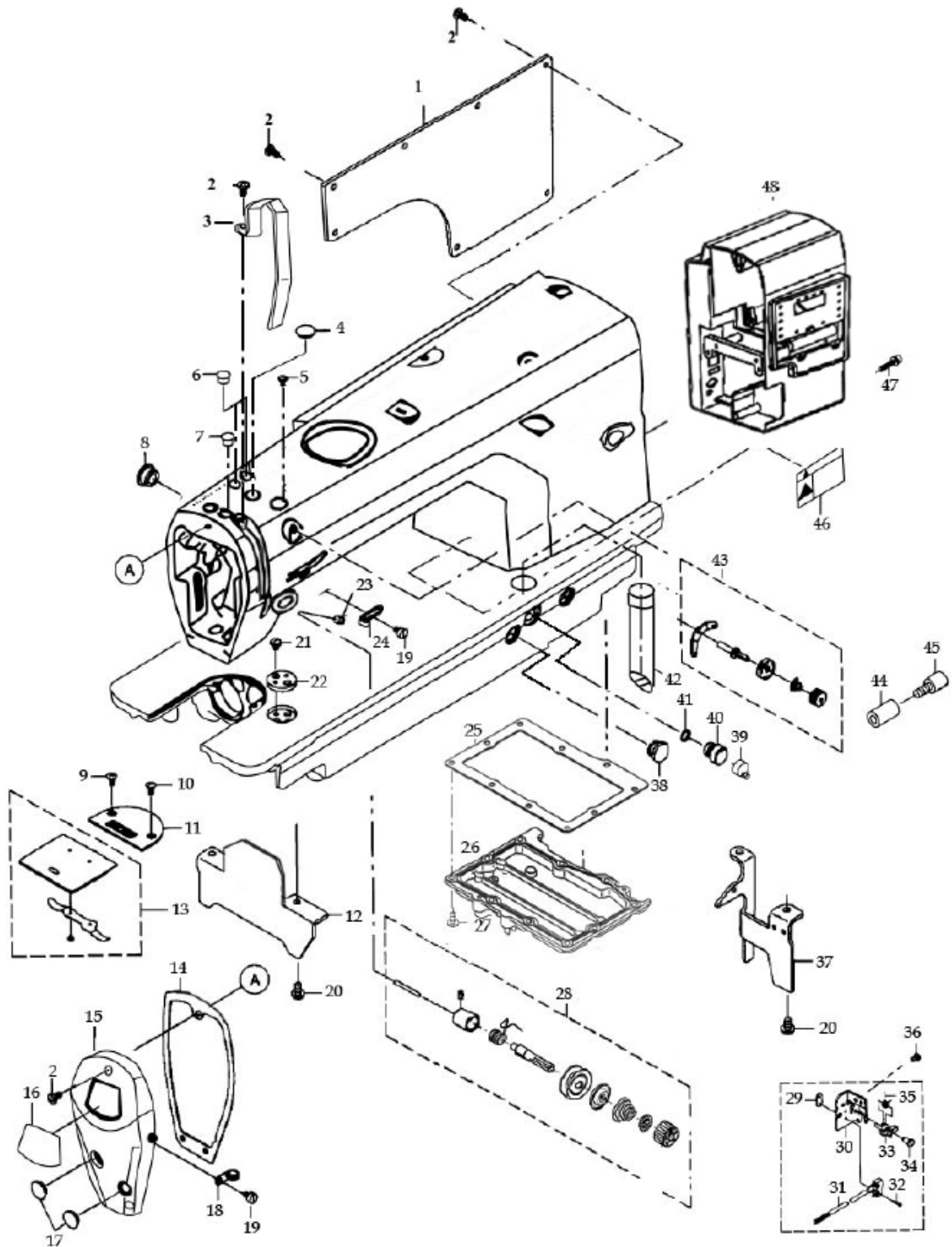
The logo for Texi features a stylized purple icon of three overlapping teardrop shapes to the left of the word "texi" written in a purple, lowercase, serif font.



## CONTENTS

1.	Machine frame & miscellaneous cover components.....	2
2.	Main shaft & needle bar components.....	4
3	Horizontal feed & vertical feed and hook driving shaft components – Round Knife.....	6
4.	Hang lifter & tension release components .....	9
5.	Feed adjust mechanism components.....	11
6.	Under cover components.....	13
7.	Bobbin winder components.....	15
8.	Thread stand components.....	17
9.	Automatic reverse feed components.....	19
10.	Wiper components.....	21
11.	Thread trimmer components (Round knife).....	23
12	Oil lubrication components.....	25
13.	Accessories Part Components.....	27

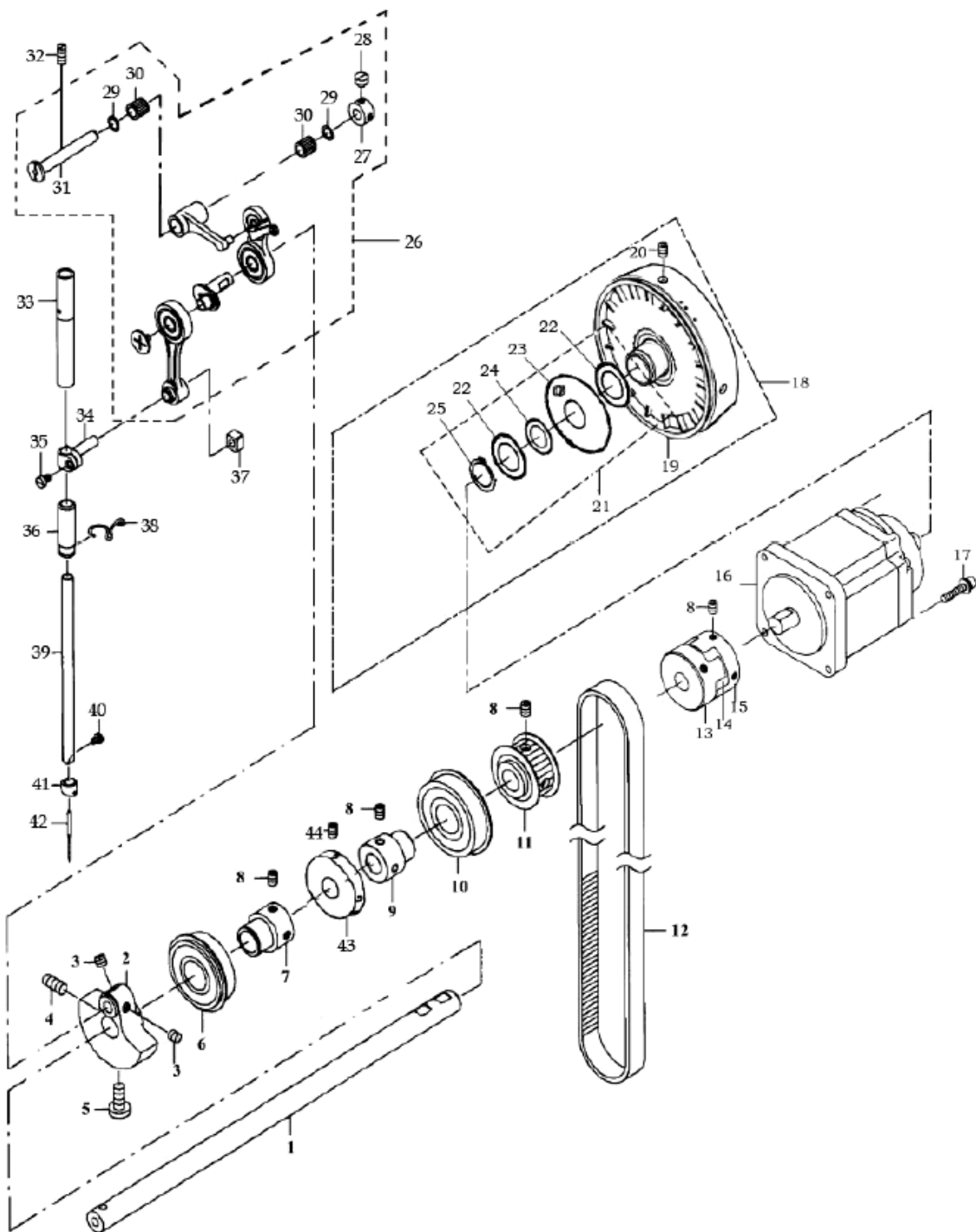
1. Machine frame & miscellaneous cover components



**1. Machine frame & miscellaneous cover components**

Ref. No.	Part No.	Description	QTY
1	20003404	SIDE PLATE	1
2	10008972	SCREW 3/16-28 L=10	12
3	20003407	THREAD TAKE-UP LEVER COVER	1
4	10012136	RUBBER PLUG D=12.8 L=4	1
5	10010666	SCREW 11/64-40 L=14	1
6	10008943	RUBBER PLUG	2
7	10012460	RUBBER PLUG	1
8	10012147	RUBBER PLUG	1
9	10009005	SCREW 11/64-40 L=8.5	1
10	10012463	SCREW 11/64-40 L=8.5	1
11	10012131	NEEDLE PLATE	1
12	10012135	FRONT PLATE	1
13	10013706	SLIDE PLATE ASM	1
14	10013009	FACE PLATE PACKING	1
15	20003406	FACE PLATE	1
16	10005468	FACE PLATE ADORNING	1
17	10008977	RUBBER PLUG D=12.5 L=4	2
18	10008937	ARM THREAD GUIDE B	1
19	10008973	SCREW 11/64-40 L=6	2
20	10012142	SCREW 15/64-28 L=9	4
21	10004374	SCREW 11/64-40 L=4.8	2
22	10004373	RULER STOP SEAT	1
23	10010593	SCREW 15/64-28 L=7.5	1
24	10008940	ARM THREAD GUIDE A	1
25	10012143	GEAR BOX PACKING	1
26	10012145	GEAR BOX COVER	1
27	10012146	SCREW 3/16-28 L=15	10
28	10013000	THREAD TENSION ASM	1
29	10005877	NUT	1
30	10006133	SAFETY SWITCH BASE	1
31	10006284	SAFETY SWITCH	1
32	10003052	SCREW	2
33	10006132	SAFETY SWITCH ARM	1
34	10012612	SAFETY SWITCH ARM SHAFT	1
35	10005855	SPRING	1
36	10013608	SCREW	1
37	10012148	BACK PLATE	1
38	10012128	RUBBER PLUG	1
39	10008771	AIR-DISCHARGING CAP	1
40	10012141	AIR-DISCHARGING	1
41	10012139	RUBBER RING	1
42	10012138	GEAR BOX FLOATER ASM	1
43	10012867	THREAD TENSION GUIDE	1
44	10013621	REVERSE FEED LEVER STOPPER	1
45	10012149	SCREW 9/64-40	1
46	10008936	SAFETY LABEL	1
47	10006157	BOLT	5
48	10034326	ELECTRIC CABINET 02	1

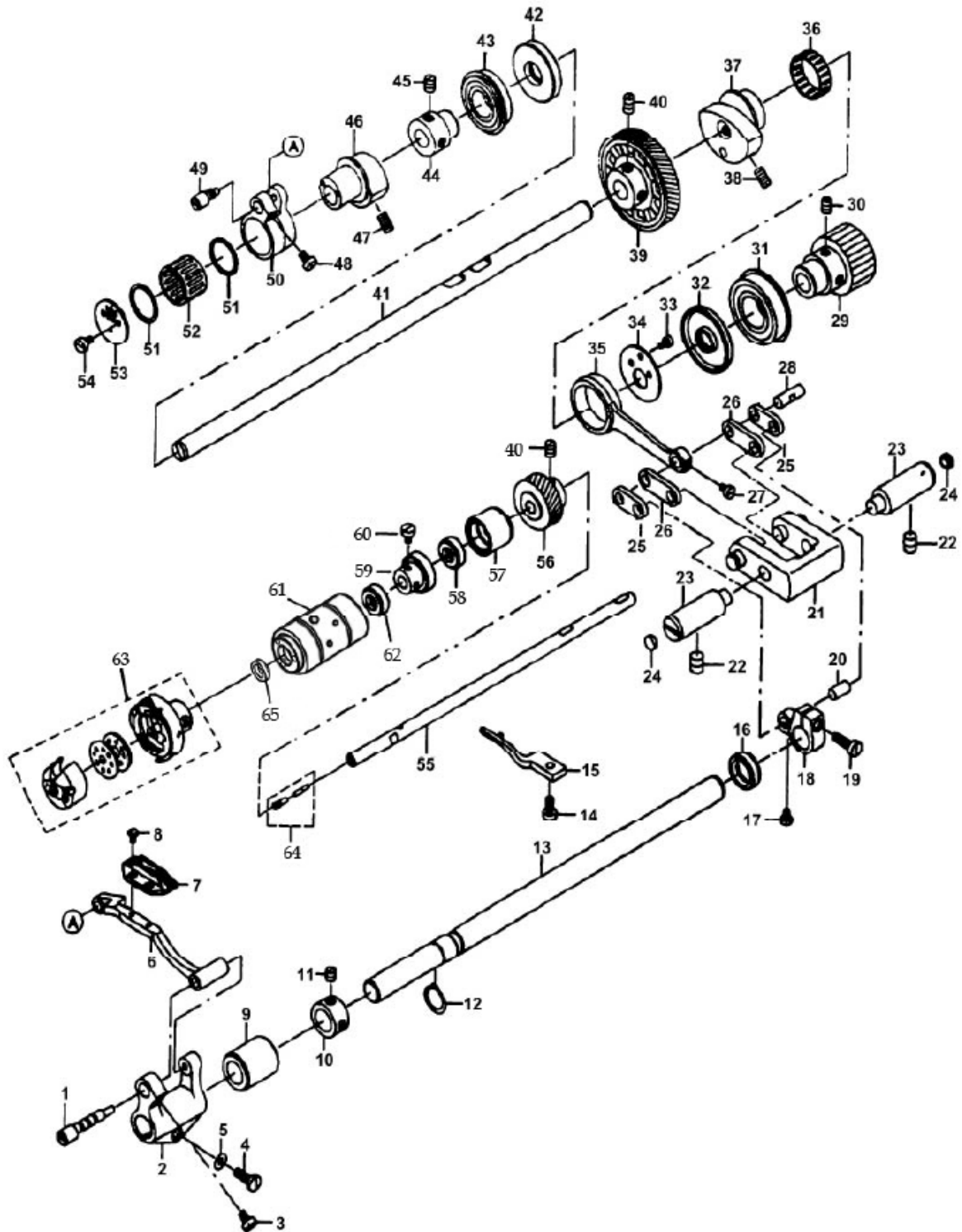
## 2. Main shaft & needle bar components



**2. Main shaft & needle bar components**

Ref. No.	Part No.	Description	QTY
1	10012663	MAIN SHAFT	1
2	10012607	NEEDLE BAR CRANK	1
3	10005020	SCREW 1/4-40 L=6	2
4	10010082	SCREW 9/32-28 L=16	1
5	10010545	SCREW 9/32-28 L=16	1
6	10009781	BEARING	1
7	10012668	BEARING SUPPORT	1
8	10009187	SCREW M6 L=8	6
9	10012611	BEARING SUPPORT	1
10	10009791	BEARING	1
11	10006241	SPROCKET, UPPER	1
12	10014095	TIMING BELT	1
13	10012613	COUPLING JOINT	1
14	10011227	CONNECTING RUBBER BLOCK	1
15	10012615	COUPLING JOINT	1
16	10006316	MOTOR	1
17	10006157	BOLT	4
18	20002766	HEAD WHEEL ASM	1
19	20003408	HEAD WHEEL	1
20	10002436	SCREW M6 L=8	2
21	10023937	PARCEL ASM	1
22	10003845	WASHER	2
23	10006898	SEPARATE PARCEL	1
24	10003364	SPRING WASHER	1
25	10003365	E-RING	1
26	10012458	THREAD TAKE-UP ASM	1
27	10005745	THRUST COLLAR	1
28	10013590	SCREW 11/64-40 L=4	2
29	10005786	BEARING SUPPORT	2
30	10005747	BEARING	2
31	10005794	THREAD TAKE-UP CRANK SHAFT	1
32	10010083	SCREW 15/64-28	1
33	10013793	NEEDLE BAR METAL UPPER	1
34	10010590	NEEDLE ROD HOLDER	1
35	10010643	SCREW 9/64-40	1
36	10012493	NEEDLE BAR METAL LOWER	1
37	10010586	SLIDE BLOCK	1
38	10010638	NEEDLE BAR THREAD GUIDE	1
39	10006378	NEEDLE BAR	1
40	10013182	SCREW	1
41	10013181	NEEDLE BAR THREAD GUIDE	1
42	10004898	NEEDLE	1
43	10013112	BOBBLE WINDER DRIVING WHEEL	1
44	10011062	SCREW 11/64-40	2

### 3. Horizontal feed & vertical feed and hook driving shaft components – Round Knife





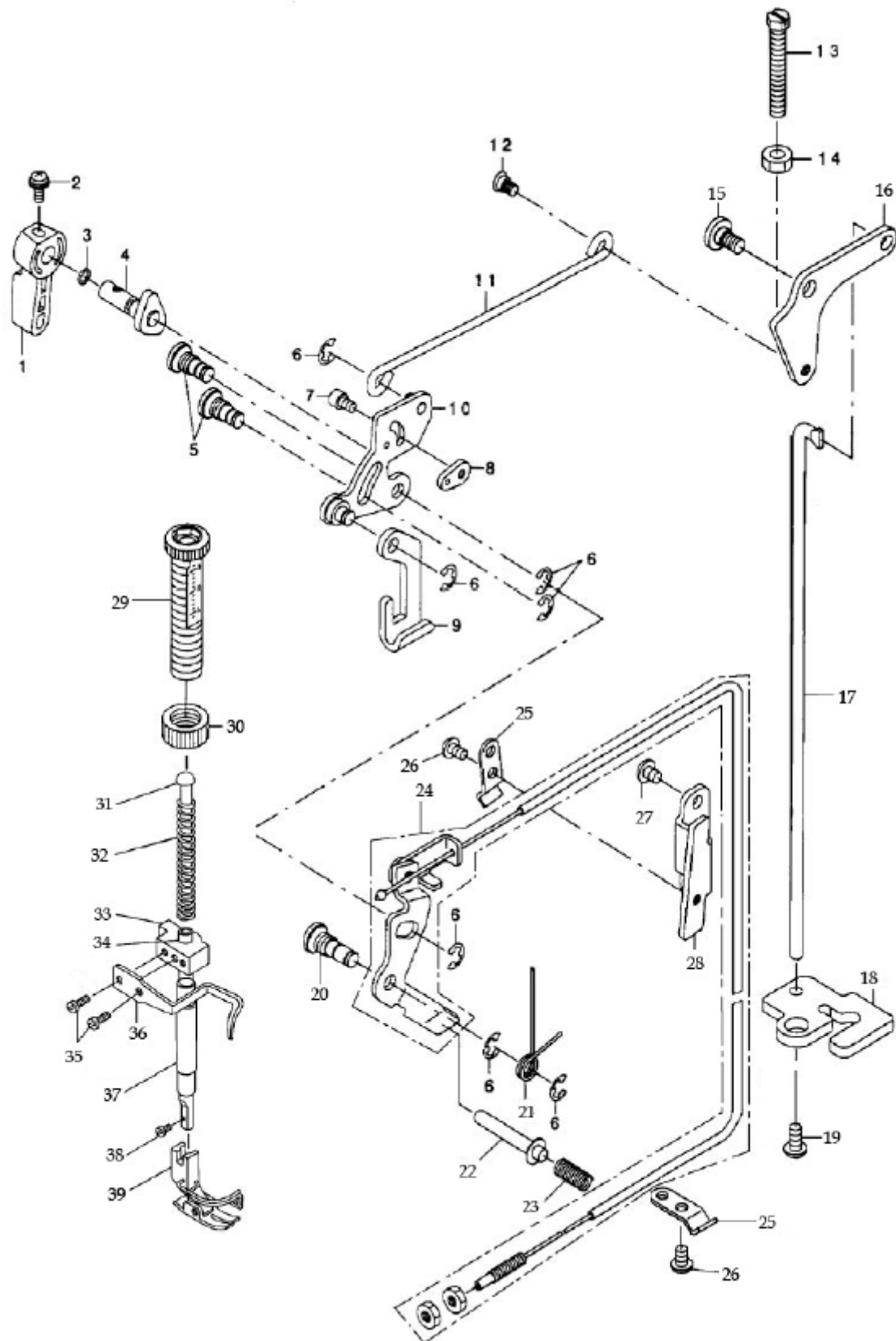
**3. Horizontal feed & vertical feed and hook driving shaft components – Round Knife**

Ref. No.	Part No.	Description	QTY
1	10012490	FEED ROCKER BASE SHAFT	1
2	10012540	FEED ROCKER BASE ARM	1
3	10010074	SCREW 11/64-40 L=7	1
4	10025329	SCREW 3/16-28 L=14	1
5	10012531	FEED BASE	1
6	10025331	FEED DOG	1
7	10010099	SCREW 1/8-44 L=6	2
8	10013006	FEED ROCKER SHAFT METAL	1
9	10006134	FEED SHAFT THRUST COLLAR	1
10	10012162	SCREW M5 L=5	2
11	10003290	RETAINING RING	1
12	10013022	FEED ROCKER SHAFT METAL	1
13	10010066	SCREW 11/64-40 L=9.5	1
14	10012530	BOBBIN CASE HOLDER	1
15	10012536	OIL SEAL	1
16	10010071	SCREW 9/64-40	1
17	10012492	FEED ROCKER ARM	1
18	10010095	SCREW 3/16-28 L=15.5	1
19	10010096	WALKING FOOT PIN B	1
20	10012500	ADJUSTING LINK ASM	1
21	10010593	SCREW 15/64-28	2
22	10012532	ADJUSTING LINK ASM FULCRUM	2
23	10012495	RUBBER PLUG	2
24	10010075	CONNECTING LINK B	2
25	10012537	CONNECTING LINK A	2
26	10010071	SCREW 9/64-40	1
27	10010069	WALKING FOOT PIN C	1
28	10012535	LOWER SPROCKET	1
29	10009187	SCREW M6 L=8	2
30	10003542	BEARING	1
31	10012538	OIL SEAL 9/64-40 L=6	2
32	10010643	FEED ROCKER CAM PLATE	2
33	10005742	FEED ROCKER ROD	1
34	10005787	NEEDLE BEARING	1
35	10005792	FEED ROCKER CAM PLATE	1
36	10005740	SCREW 15-64-28 L=10.5	1
37	10010083	GEAR, LARGE	2
38	10012462	SCREW ¼-40 L=5.8	1
39	10008862	FEED DRIVING SHAFT	4
40	10012489	OIL SEAL	1
41	10012533	BEARING	1
42	10009782	BEARING SUPPORT	1
43	10012501	SCREW 1/4-40 FEED DRIVING CAM	1
44	10003921	SCREW 15/64-28	2
45	10005750	SCREW 11/64-40	1
46	10010083	SCREW 11/64-40	2
47	10010074	FEED DRIVING BASE SHAFT	1
48	10012498	FEED DRIVING BASE ARM	1
49	10005789	FEED DRIVING CAM THRUST BU	1
50	10005790	FEED DRIVING CAM THRUST BU	2

**3. Horizontal feed & vertical feed and hook driving shaft components – Round Knife**

Ref. No.	Part No.	Description	QTY
51	10005744	BEARING	1
52	10012503	FEED DRIVING CAM PLATE	1
53	10010643	SCREW 9/64-40	2
54	10012534	HOOK SHAFT	1
55	10012554	GEAR SMALL	1
56	10012678	HOOK SHAFT REAR METAL	1
57	10012423	HOOK DRIVING SHAFT OIL SEAL	1
58	20000175	BEARING SUPPORT ASM	1
59	10013608	SCREW 11/64-40	2
60	10014463	HOOK SHAFT METAL COMPL	1
61	10014503	OIL SEAL	2
62	10013921	HOOK ASM	1
63	20001663	SCREW ASM	1
64	10013029	OIL SEAL	1

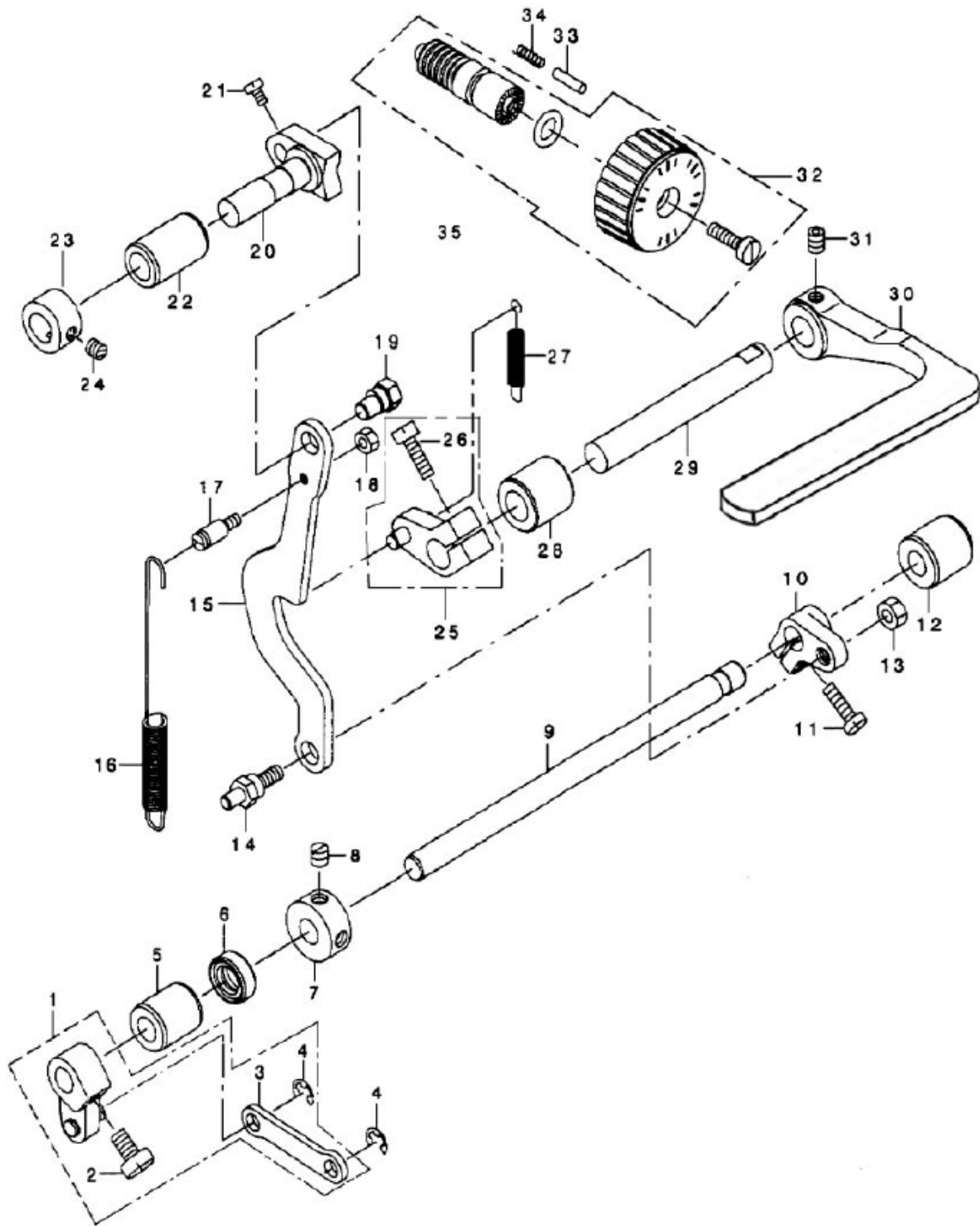
#### 4. Hang lifter & tension release components



4. Hang lifter & tension release components

Ref No.	Part No.	Description	QTY
1	10011064	HAND LIFTER	1
2	10010016	SCREW	1
3	10010027	RUBBER RING	1
4	10013809	HAND LIFTER CAM ASM	1
5	10010653	PIN	2
6	10010649	E-RING	7
7	10002976	SCREW M4 L=6	1
8	10005833	CONNECTING PLATE	1
9	10010648	LIFTING PLATE	1
10	10005685	LIFTING LINK COMPL	1
11	10012582	LIFTING LEVER CONNECT ROD	1
12	10005882	SCREW 3/16-32	1
13	10012633	SCREW 15/64-28	1
14	10012625	NUT 15/64-28	1
15	10012430	SCREW 15/64-28	1
16	10012584	LIFTING LEVER LINK	1
17	10005836	CONNECTING ROD	1
18	10012429	CONNECTING ROD GUIDE	1
19	10012637	SCREW 3/16-28 L=10	1
20	10010022	TENSION RELEASE SHAFT	1
21	10010647	TENSION RELEASE RETURN SPRING	1
22	10012140	TENSION RELEASE SUPPORTING PIN	1
23	10010642	TENSION RELEASE PIN SPRING	1
24	10012623	KNEE LIFTING TENSION RELEASE	1
25	10012445	WIRE HOLDER A	1
26	10012130	SCREW 11/64-40 L=7	1
27	10012621	SCREW 3/16-28 L=6	1
28	10005881	WIRE HOLDER BRACKET	1
29	10013325	SCREW	1
30	10011023	NUT 1/2-28	1
31	10012426	PRESSER GUIDE BAR C	1
32	10004473	PRESSER SPRING	1
33	10012679	PRESSER BAR BRACKET	1
34	10013322	PRESSER BAR	1
35	10010018	SCREW 9/64-40	2
36	10012422	PRESSER BAR THREAD GUIDE	1
37	10014141	BUSHING	1
38	10010650	SCREW 9/64-40 L=10.5	1
39	10012449	PRESSER FOOT ASM	1

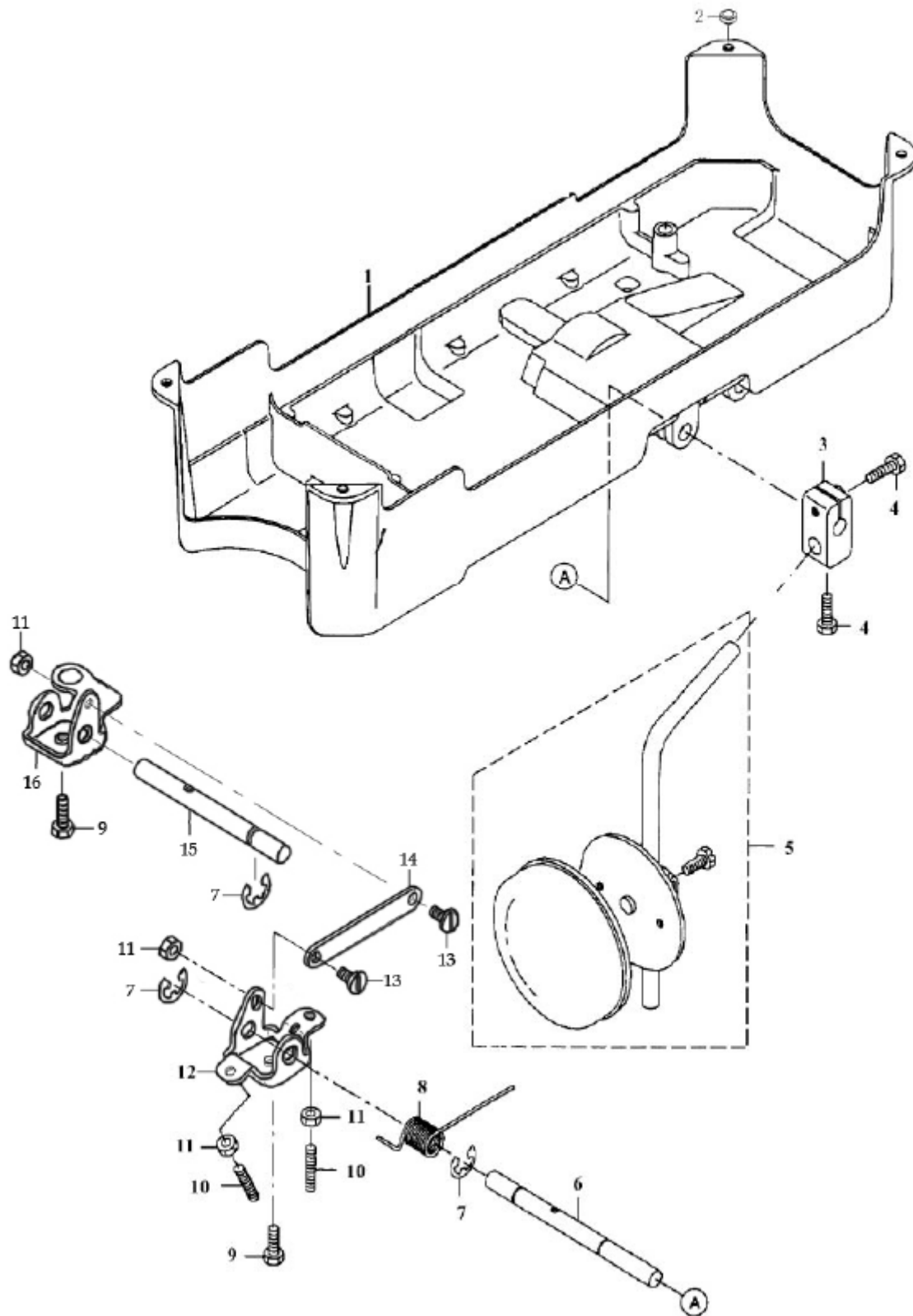
### 5. Feed Adjust Mechanism components



5. Feed Adjust Mechanism Components

Ref. No.	Part No.	Description	QTY
1	20000148	FEED CHANGING SHAFT ARM, A	1
2	10010092	SCREW 1/4-40 L=11	1
3	10012634	ADJUSTING LINK PLATE	2
4	10010649	E-RING	1
5	10012629	METAL, A	1
6	10012622	FEED CHANGING SHAFT OIL SEAL	1
7	10012627	THRUST COLLAR	2
8	10003921	SCREW 1/4-40 L=8	1
9	10013867	FEED CHANGING SHAFT	1
10	10012424	FEED CHANGING SHAFT ARM, B	1
11	10010095	SCREW 3/16-28 L=15.5	1
12	10012586	METAL, B	1
13	10012620	NUT 15/64-28	1
14	10012418	FEED CHANGING SHAFT ARM PIN	1
15	10012680	FEED ADJUSTING ROD	1
16	10013868	FEED ADJUSTING SPRING	1
17	10012635	SPRING SUSPENSION	1
18	10010106	NUT 11/64-40	1
19	10013866	FEED ADJUSTING PIN	1
20	10012583	FEED ADJUSTING BASE	2
21	10010643	SCREW 9/64-40 L=6	1
22	10012626	ADJUSTING BASE SHAFT METAL	1
23	10012428	COLLAR ASM D=11.1 W=10	2
24	10005020	SCREW 1/40-40 L=6	1
25	20000150	FEED LEVER ARM ASM	1
26	10010095	SCREW 3/16-28 L=15.5	1
27	10012676	FEED LEVER SPRING	1
28	10012578	FEED LEVER SHAFT METAL	1
29	10012419	FEED LEVER SHAFT	1
30	20003414	FEED LEVER SPANNER	1
31	10009187	SCREW M16 L=8	2
32	20000144	FEED DIAL ASM	1
33	10013870	PIN	1
34	10013869	SPRING	1

### 6. Under Cover Components

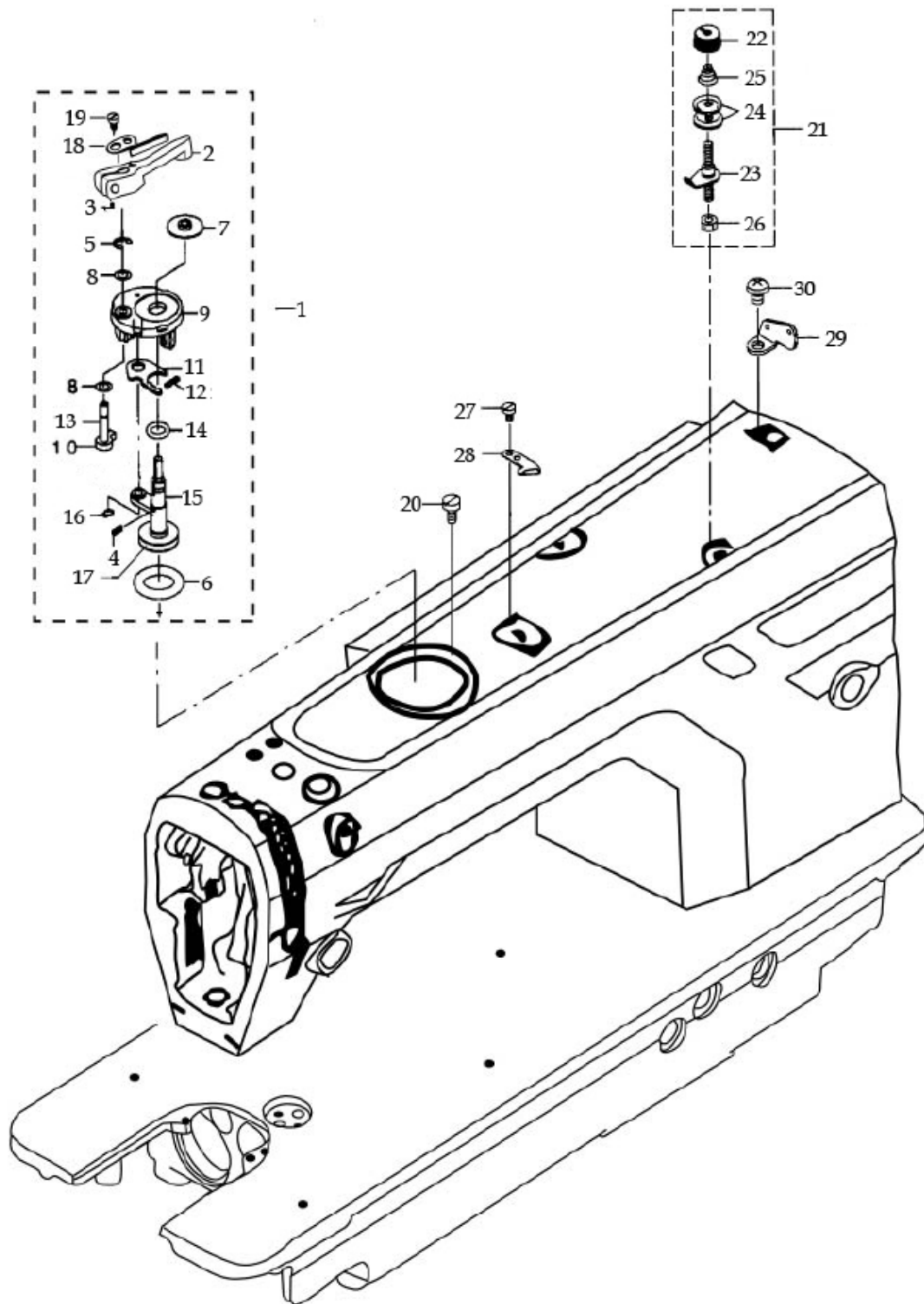


**6. Under Cover Components**

Ref. No.	Part No.	Description	QTY
1	10012632	UNDER COVER	1
2	10013102	HEAD GASKET	4
3	10003896	BRACKET	1
4	10002613	SCREW	2
5	10009985	KNEE PAD PLATE ASM	1
6	10008450	KNEE PRESS ROD I	1
7	10002559	E-RING	1
8	10012677	SPRING	1
9	10003898	SCREW	2
10	10003895	SCREW M6 L=30	2
11	10003890	NUT M6	4
12	10008463	BRACKET	1
13	10008465	ROD	2
14	10008464	CONNECTING ROD	1
15	10008466	KNEE PRESS ROD II	1
16	10008383	CONNECTING ROD	1



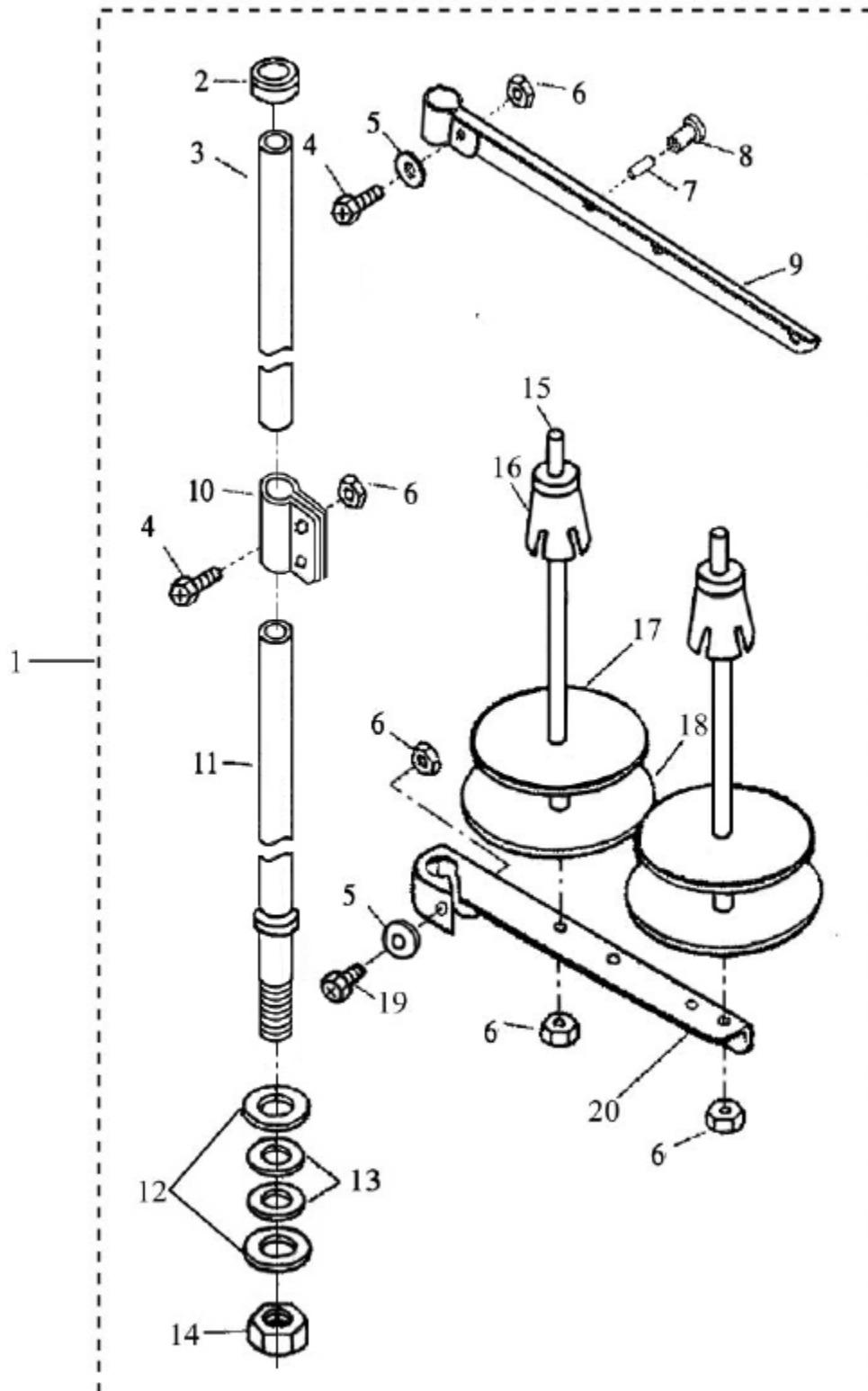
### 7. Bobbin Winder Components



**7. Bobbin Winder Components**

Ref. No.	Part No.	Description	QTY
1	10013875	BOBBIN DEVICE ASM	1
2	10000736	BOBBIN LEVER	1
3	10000735	SCREW 9/64-40	1
4	10004494	PRESSURE FOOT SPRING	1
5	10013038	E-RING	1
6	10008773	RUBBER RING	1
7	10004498	BOBBIN CUSHION	1
8	10004486	WASHER 6.2 X 9 .8 X 0.3	1
9	10006240	BOBBIN FITTING BASIS COMPL.	1
10	10006151	BOBBIN CAM SHAFT COMPL.	1
11	10004497	ADJUSTING PLATE	1
12	10004501	SPRING	1
13	10006152	BOBBIN CAM SHAFT COMPL.	1
14	10004485	RUBBER RING	1
15	10006158	BOBBIN WINDER SHAFT COMPL.	1
16	10006142	RETAINING RING	1
17	10013019	SCREW M3 L=4	1
18	10005682	ADJUSTING PLATE	1
19	10000759	SCREW 9/64-40	1
20	10004380	SCREW 3/16-32	3
21	10013064	BOBBIN THREAD TENSION ASM	1
22	10004390	THREAD TENSION NUT	1
23	10004504	BOBBIN THREAD TENSION ROD ASM	1
24	10004393	BOBBIN WINDER TENSION DISC	2
25	10004391	THREAD TENSION SPRING	1
26	10004507	NUT 11/64-40	1
27	10013269	SCREW 9/64-40	2
28	10011149	THREAD CUTTER	1
29	10011200	THREAD GUIDE PLATE	1
30	10011158	SCREW 15/64-28	1

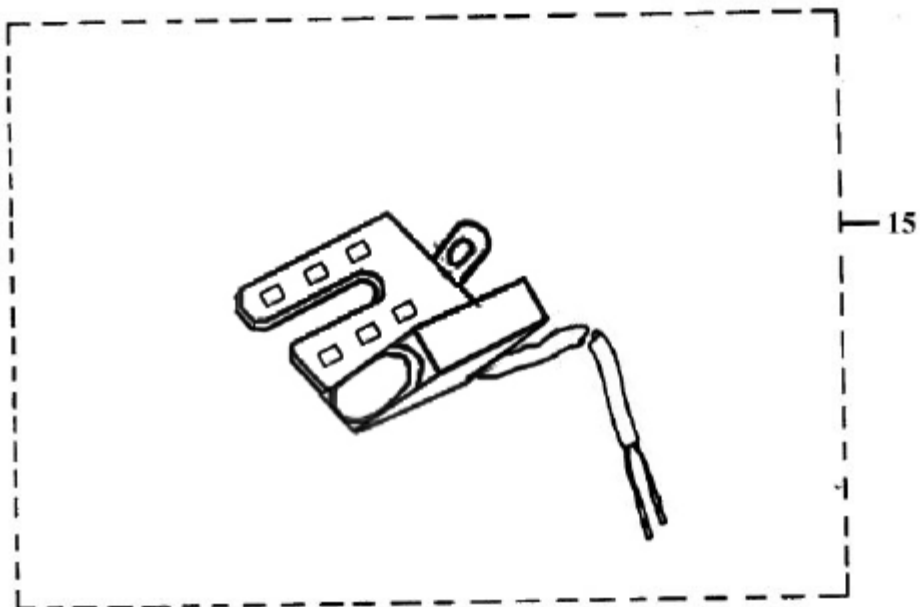
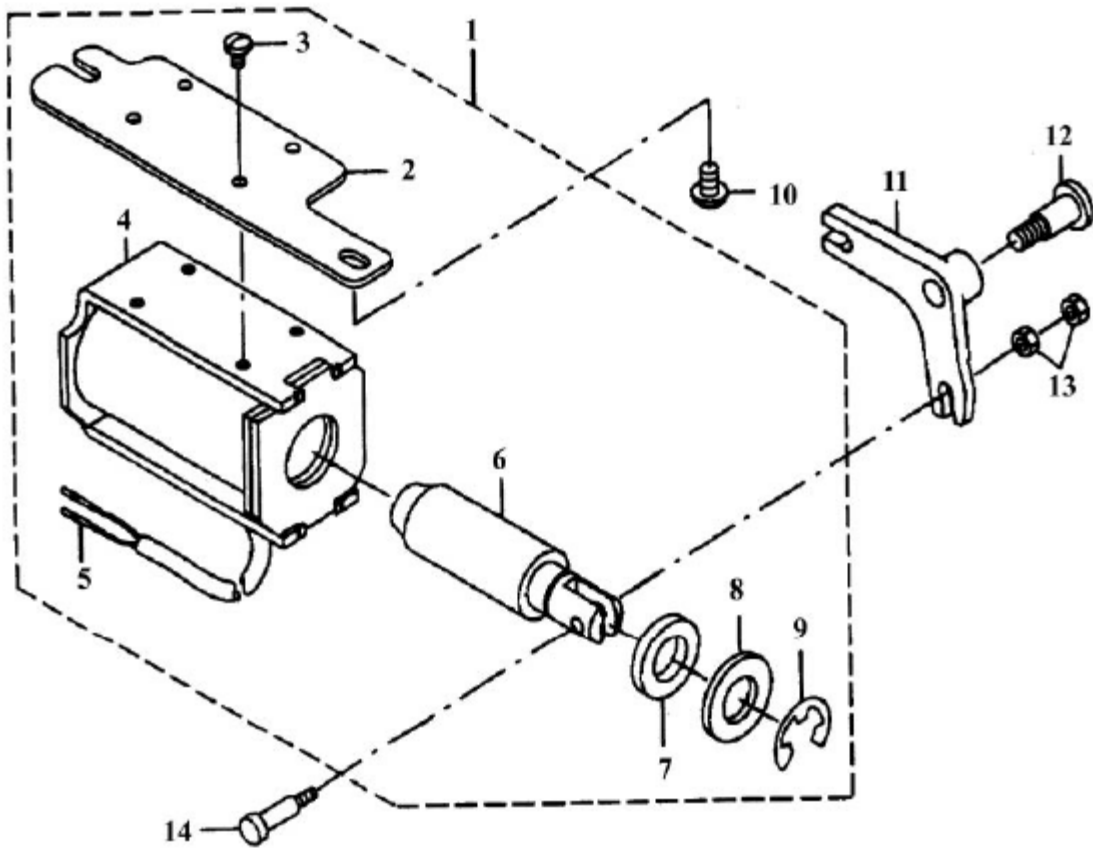
### 8. Thread Stand Components



**8. Thread Stand Components**

Ref. No.	Part No.	Description	QTY
1	10007130	THREAD STAND ASM.	
2	10004282	COLUMN CAP	1
3	10004293	COLUMN PIPE (UPPER)	1
4	10003301	SCREW	2
5	10003022	WASHER	5
6	10002953	NUT	5
7	10004289	THREAD GUIDE PIPE	1
8	10004285	THREAD GUIDE BUSHING	1
9	10004298	THREAD HANGER (UPPER)	1
10	10004286	COLUMN PIPE CONNECTOR	1
11	10004291	COLUMN PIPE (LOWER)	1
12	10004290	WASHER 16X30X1.5	2
13	10004295	WASHER 16.5X27.5X3	2
14	10002953	NUT	1
15	10004288	SPOOL	2
16	10004287	SPOOL CUSHION	2
17	10004281	SOFT CUSHION OF THREAD PLATE	2
18	10004299	THREAD PLATE	2
19	10003312	SCREW	1
20	10004284	THREAD HANGER (LOWER)	1

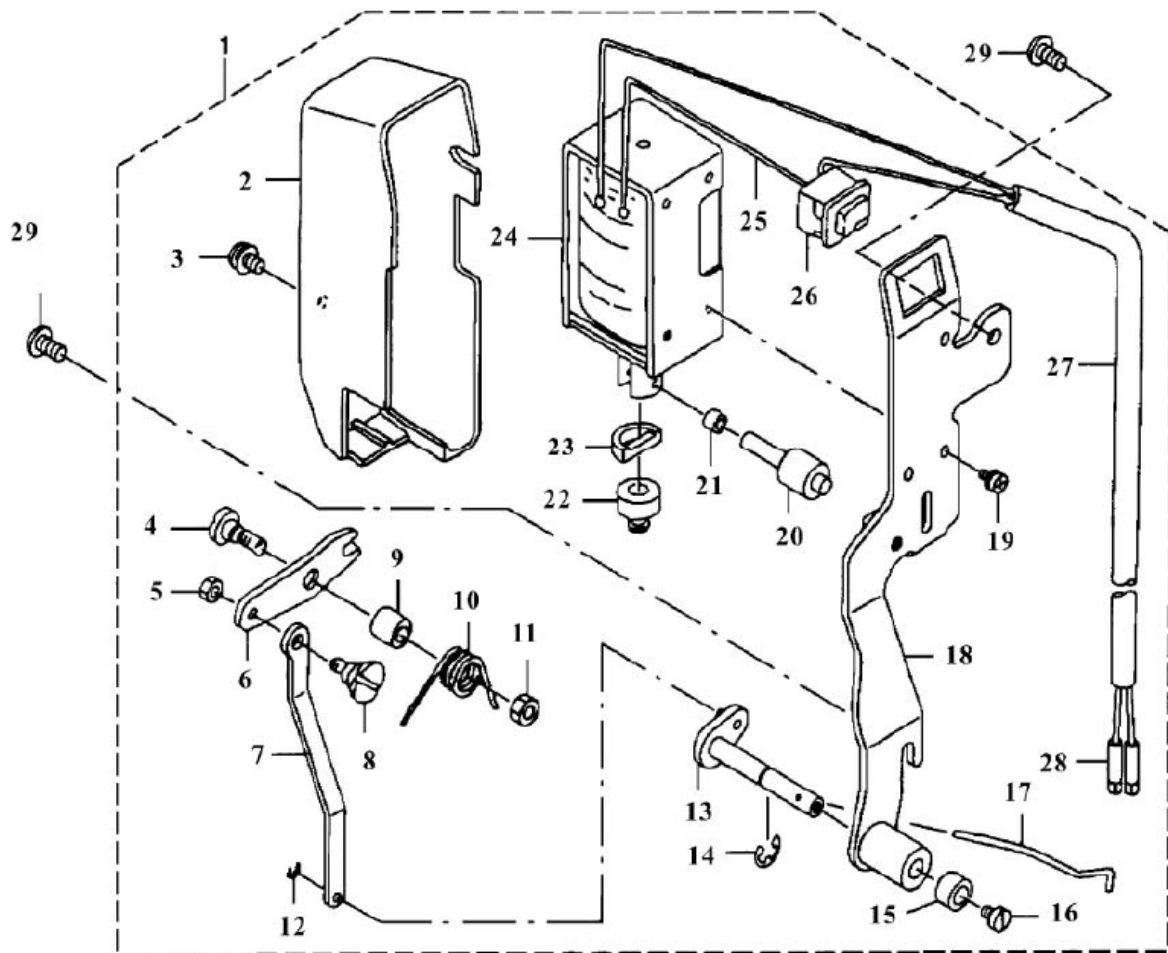
9. Automatic reverse feed components



**9. Automatic reverse feed components**

Ref. No.	Part No.	Description	QTY
1	10012528	REVERSE FEED SOLENOIND BASE ASM	1
2	10005820	REVERSE FEED SOLENOIND BASE ASM	1
3		SCREW	4
4		REVERSE FEED SOLENOIND BASE ASM	1
5		PIN CONTACT	2
6		REVERSE FEED SOLENOIND PLUNGER	1
7		RUBBER PLUNGER	1
8		WASHER	1
9		E-RING	1
10	10012142	SCREW 15/64-28 L=9	2
11	10012587	REVERSE FEED ARM	1
12	10012628	SCREW 9/32-28	2
13		NUT	1
14		PLUNGER ARM PIN	1
15	10007561	OPTION SWITCH ASM	1

### 10. Wiper components

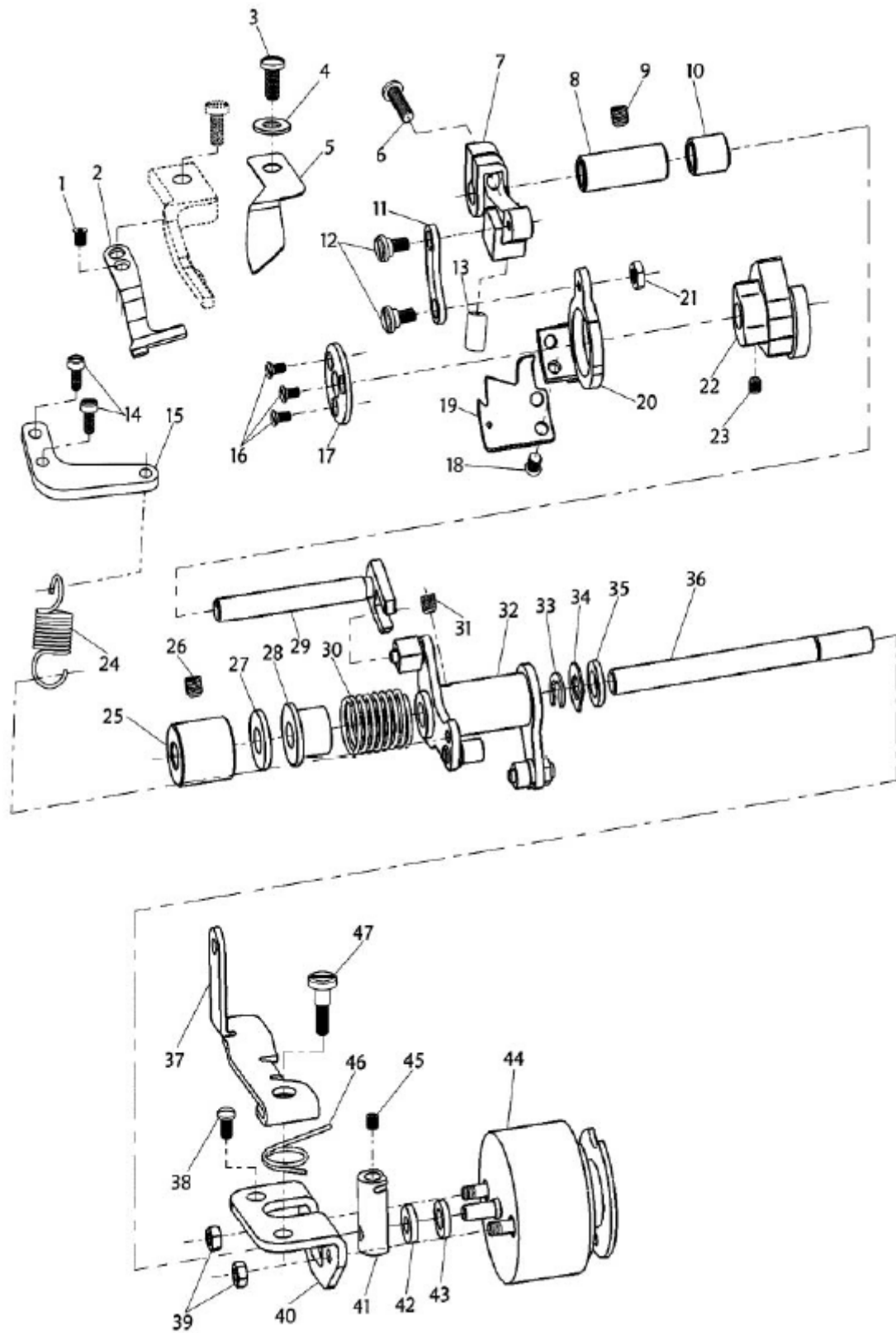


10. Wiper components

Ref. No.	Part No.	Description	QTY
1	10012526	WIPER ASM	1
2	10005724	WIPER COVER	1
3	10003036	SCREW M3	1
4	10005726	SCREW 11/64-40	1
5	10005766	NUT 11/64-40	1
6	10005772	WIPER LINK A	1
7	10005783	WIPER LINK B	1
8	10005738	SCREW 9/64-40	1
9	10005767	WIPER HINGE SCREW COLLAR	1
10	10005770	WIPER SPRING	1
11	10005735	NUT 11/64-40	1
12	10005737	E-RING	1
13	10005829	WIPER SHAFT ASM	1
14	10010649	E-RING	1
15	10005725	SCREW INSTALLING COLLAR	1
16	10005734	SCREW 9/64-40 L=5	1
17	10005765	WIPER	1
18	10005811	WIPER BASE ASM	1
19	10003082	WASHER	3
20	10005719	WIPER SOLENOID PIN	1
21	10005769	WIPER LINK COLLAR	1
22	10005812	WIPER RUBBER A	1
23	10005739	WIPER RUBBER B	1
24	10005736	WIPER SOLENOID	1
25		ELECTRIC WIRE	2
26		POWER SWITCH	1
27		2-CORD CABTYRE CORD	1
28		WIRE CONTACT	2
29	10008972	SCREW 3/16-28 L=9	2



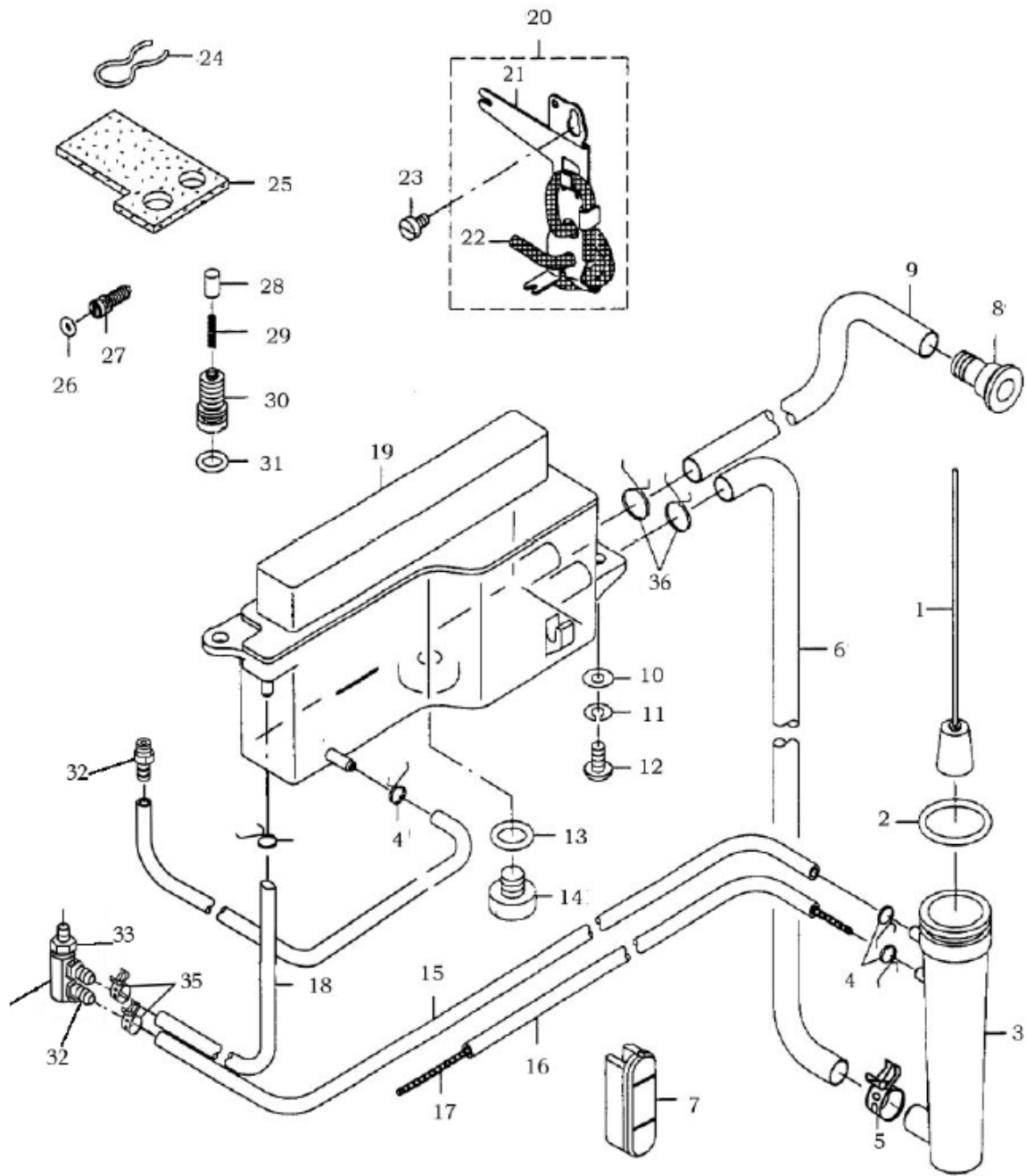
### 11. Thread Trimmer Components (Rotation knife)



**11. Thread Trimmer Components (Rotation knife)**

Ref. No.	Part No.	Description	QTY
1	10011422	SCREW 9/64-40	1
2	10011421	FIXED KNIFE	1
3	10011497	SCREW 11/64-40	1
4	10013154	WASHER 9X4.5X0.8	1
5	10011584	DISPART THREAD SHUTTLE	1
6	10013333	SCREW 3/16-32	1
7	10013013	TRIMMING CRANK	1
8	10013024	BUSHING	1
9	10012162	SCREW	1
10	10013027	SHORT BUSHING	1
11	10013044	KNIFE SHAFT CONNECTING BAR	1
12	10011514	SCREW 11/64-40	2
13	10013010	CRANK BLOCK	1
14	10010595	SCREW	2
15	10013023	FIXED PLATE	1
16	10009626	SCREW	3
17	10013026	KNIFE HOLDER	1
18	10011588	SCREW 11/64-40	2
19	10011494	ROUND KNIFE	1
20	10013045	ROUND KNIFE BRACKET	1
21	10011578	NUT 11/64-40	1
22	10010736	THREAD TRIMMER CAM	1
23	10013465	SCREW 1/4-40	2
24	10013030	SPRING	1
25	10014462	BUSHING	1
26	10012162	SCREW	1
27	10013008	WASHER	1
28	10014196	SPRING COVER	1
29	10013007	TRIMMING CRANK SHAFT	1
30	10008812	SPRING	1
31	10008862	SCREW 1/4-40	1
32	10013878	TRIMMING CAM CRANK ASM	1
33	10013038	WASHER	1
34	10014460	WASHER	1
35	10011650	WASHER 8.2X15X2	1
36	10011697	TRIMMING SHAFT	1
37	10013050	LOOSING THREAD PLATE	1
38	10011605	SCREW 1/4-28	1
39	10009471	NUT	2
40	10006131	SOLENOID BASE	1
41	10013046	SOLENOID CONNECTING SHAFT	1
42	10011845	WASHER 5.2X12X2.5	1
43	10011606	WASHER 6.5X12X2.3	1
44	10006137	THREAD TRIMMER SOLENOID	1
45	10013590	SCREW 11/64-40	1
46	10008834	LOOSING THREAD RETURN SPRING	1
47	10012467	SCREW 1/4-28	1

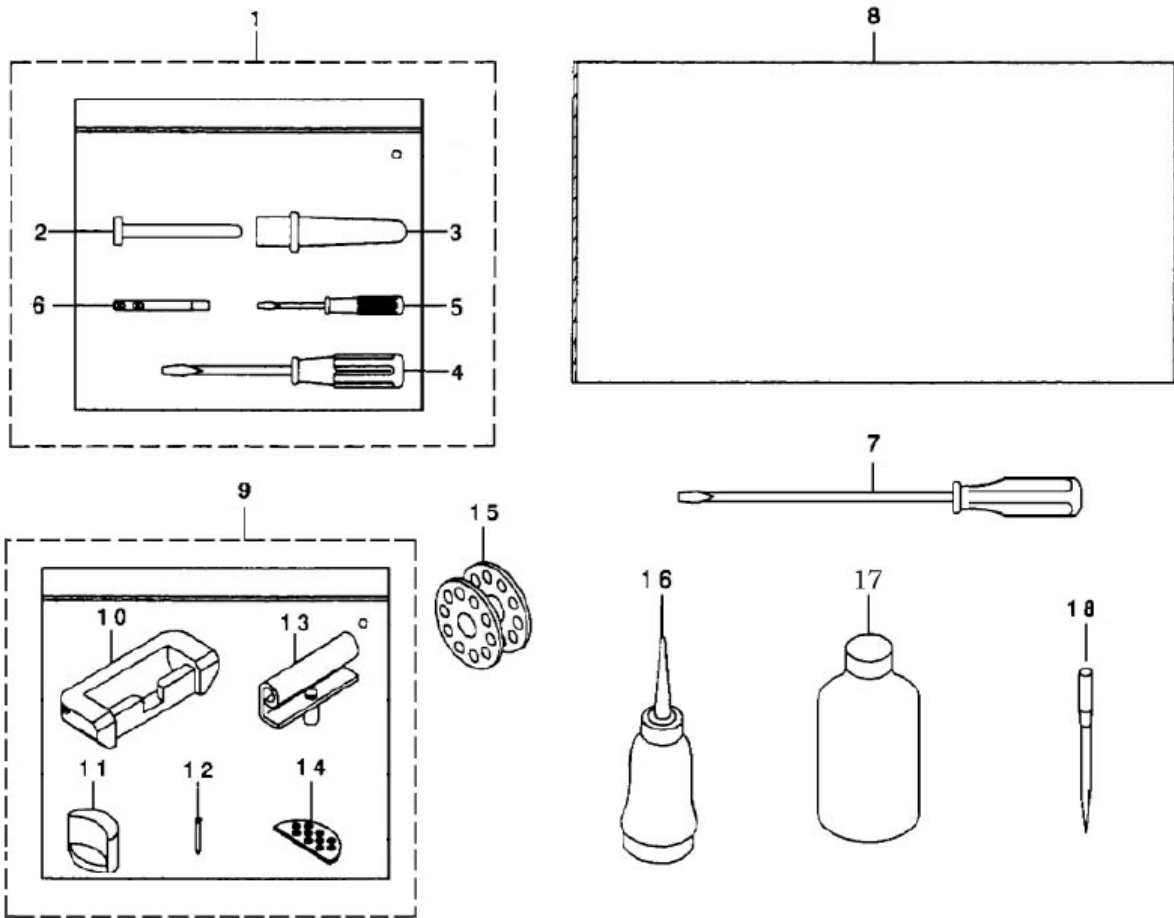
### 12. Oil Lubrication Components



**12. Oil Lubrication Components**

Ref No.	Part No.	Description	QTY
1	1000569	FLOATER ASM	1
2	10008777	RUBBER RING	1
3	10008782	FLOATER CUP	1
4	10008781	PIPE STOPPER	4
5	10013048	PIPE STOPPER	3
6	10007806	VINYL TUBE, WHITE, L=225	1
7	10008772	OIL SIGHT WINDOW	1
8	10008780	OIL CUP	1
9	10007806	VINYL TUBE, WHITE, L=240	1
10	10003022	WASHER	1
11	10005537	SPRING WASHER	1
12	10008972	SCREW 3/16-28	2
13	10014461	RUBBER RING	2
14	10008783	SCREW 5/16-24	2
15	10007800	TUBE	1
16	10007800	TUBE	1
17	10008101	OIL WICK	1
18	10007800	TUBE	1
19	10012669	OIL TANK ASM	1
20	20000165	OIL WICK SUPPORT ASM	1
21	10012616	OIL WICK SUPPORT	1
22	10008067	OIL WICK	1
23	10012664	SCREW 9/64-40	1
24	10012618	OIL FELT PRESSER	1
25	10013020	FELT	1
26	10012606	RUBBER RING	1
27	10012667	SCREW 11/64-40	1
28	10012609	PLUNGER	1
29	10014386	PLUNGER SPRING	1
30	10013025	SCREW 1/16-24	1
31	10014461	RUBBER RING	1
32	10008779	LUBRICATION CONNECTOR	2
33	10013012	TUBE	1
34	10013049	VITTA TIE-IN	1
35	10012160	PIPE STOPPER	4
36	10008785	PIPE STOPPER	3

### 13. Accessories Part Components



**13. Accessories Part Components**

Ref. No.	Part No.	Description	QTY
1		ACCESSORIES BAG ASM A	1
2	10012631	KNEE LIFTER PRESSER ROD	1
3	10026033	FRAME SUPPORT BAR	1
4	10010995	SCREW DRIVER, MIDDLE	1
5	10013185	SCREW DRIVER, SMALL	1
6	10005639	NEEDLE THREAD GUIDE ASM	1
7	10010994	SCREW DRIVER, LARGE	1
8	10005776	FRAME VINYL COVER	1
9		ACCESSORIES BAG ASM B	1
10	10006286	RUBBER CUSHION	2
11	10013113	OIL RESERVOIR SEAT	2
12	10003889	NAIL	6
13	10004466	HINGE COMPL	2
14	10013101	OIL RESERVOIR CUSHION	2
15	10010060	BOBBIN	3
16	10013294	OILER ASM	1
17	10004455	OIL BOX	1
18	10004898	NEEDLE	1
19	10004868	NEEDLE	1





Dealer: