

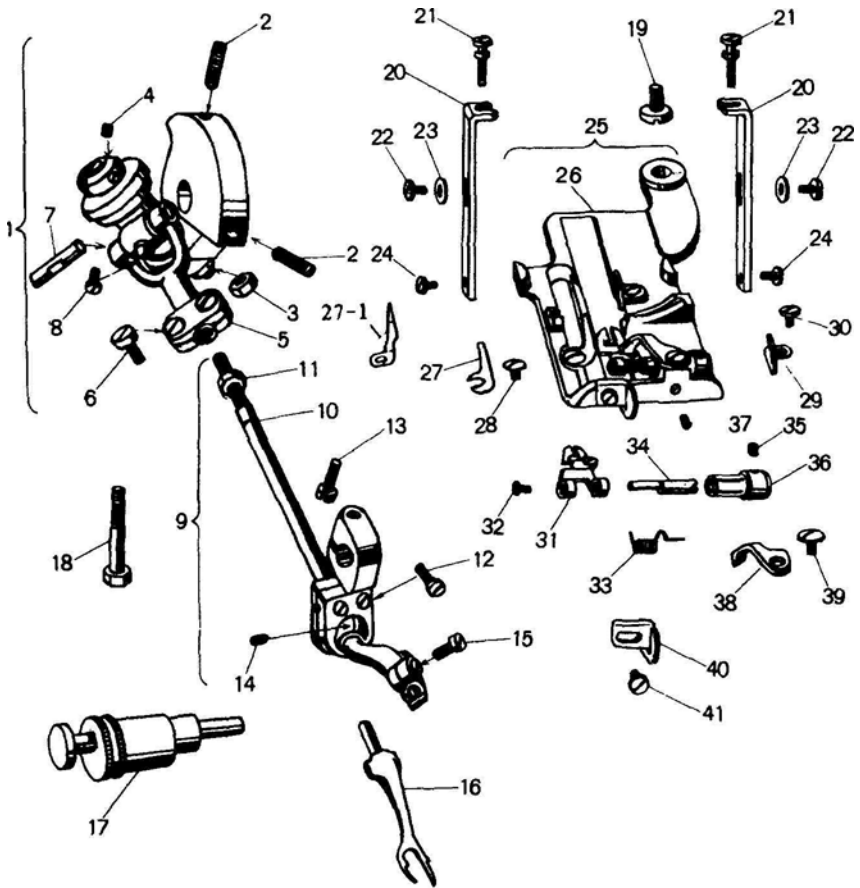
Parts list

Blind stitch machine

Accura

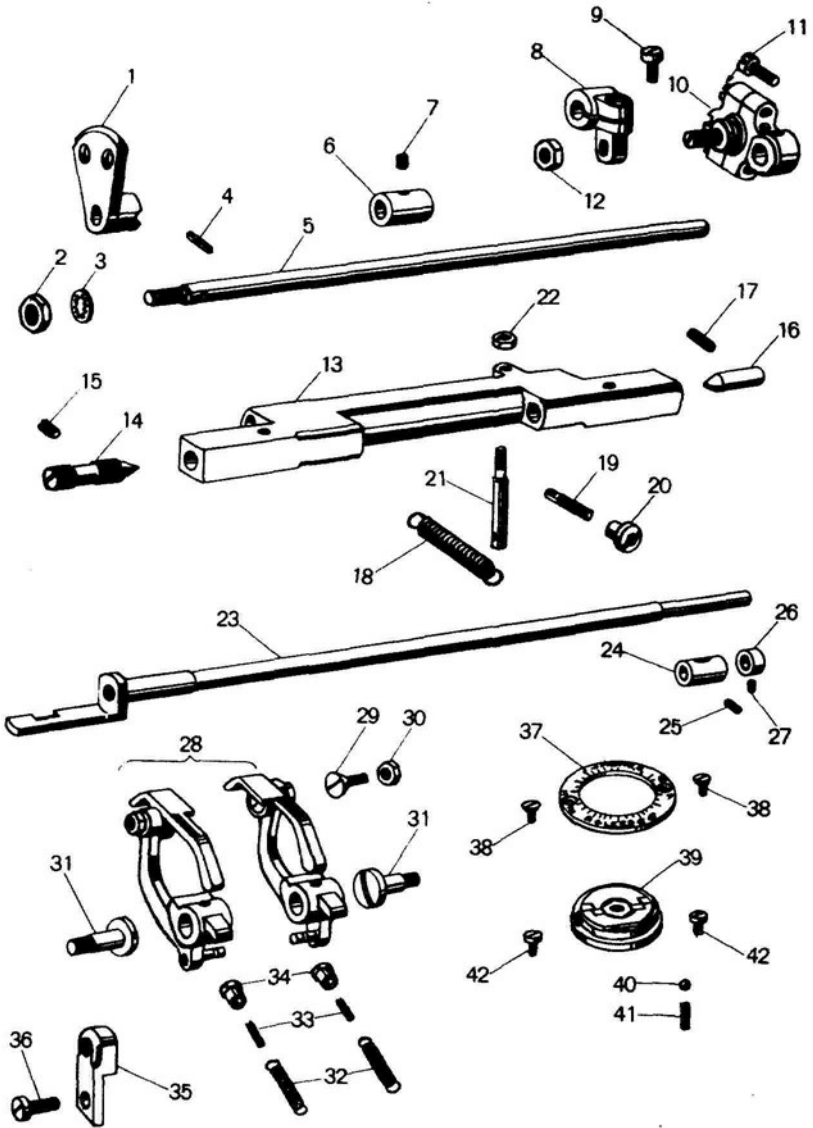
 ***texi***®

Looper drive mechanism & presser foot parts components



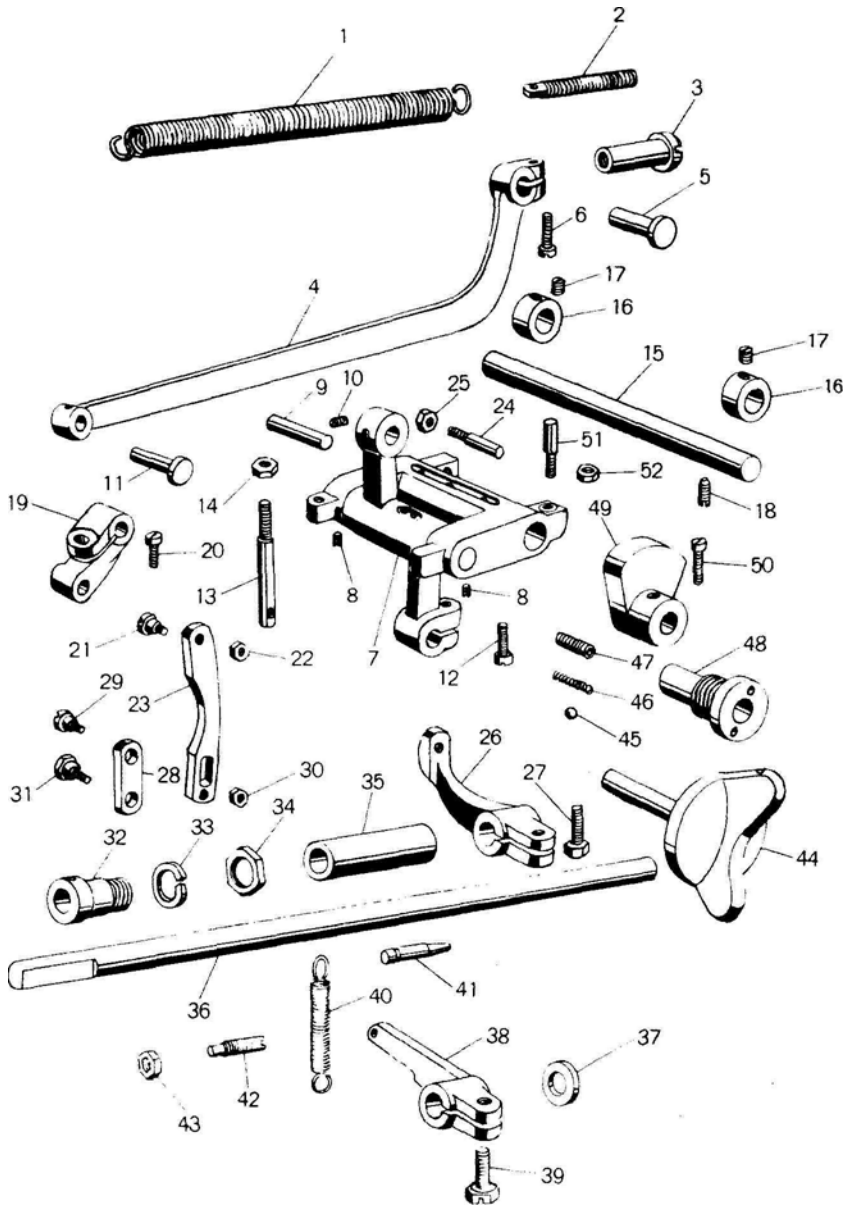
No.	Code	Description
1	538-A	Looper drive crank assembly w/looper yoke & screw
2	4191	Looper drive crank set screw
3	5039-A	Looper drive crank stud nut
4	129-B	Looper drive crank stud collar set screw
5	4030-A	Looper yoke
6	4031	Looper yoke set screw
7	4032-A	Looper yoke pin
8	8142	Looper yoke pin set screw
9	539-A	Looper carrier assembly w/ball joint & screws (ref.no. 10-15) (Nr odn. 10-15)
10	4035-A	Looper carrier
11	4176	Looper carrier nut
12	4216	Looper carrier ball joint set screw
13	4213	Looper carrier ball joint clamp screw
14	4179-D	Looper carrier ball spot screw
15	4040	Looper clamp screw
16	4039	Looper
17	505	Eccentric sleeve&pin
18	4038	Eccentric sleeve clamp screw
19	4050	Presser foot set screw/ Presser foot bracket
20	4061-A	Presser foot bracket adjusting screw
21	4062	Presser foot bracket holding screw
22	121-B	Presser foot bracket screw
23	11158	Presser foot holding screw
24	4186-A	Presser foot assembly (ref. no.26-40)
25	PF100	Plain presser foot
26	4049-B	Needle guide
27	11563	Stitch stabilizing guide
28	4052-B	Needle guide set screw
29	4058-A	Finger
30	4158XM4	Finger set screw
31	4055CAS	Cloth retainer
32	4185	Cloth retainer screw
33	4056	Cloth retainer spring
34	4054	Cloth retainer eccentric stud
35	4183	Cloth retainer eccentric stud set screw
36	4053	Cloth retainer eccentric stud bushing
37	130-B	Cloth retainer eccentric stud bushing set screw
38	4057-C	Cloth retainer
39	4182	Cloth retainer stopper set screw
40	4059	Edge guide
41	4185	Edge guide set screw

Ridge forming disc & feed plate mechanism components



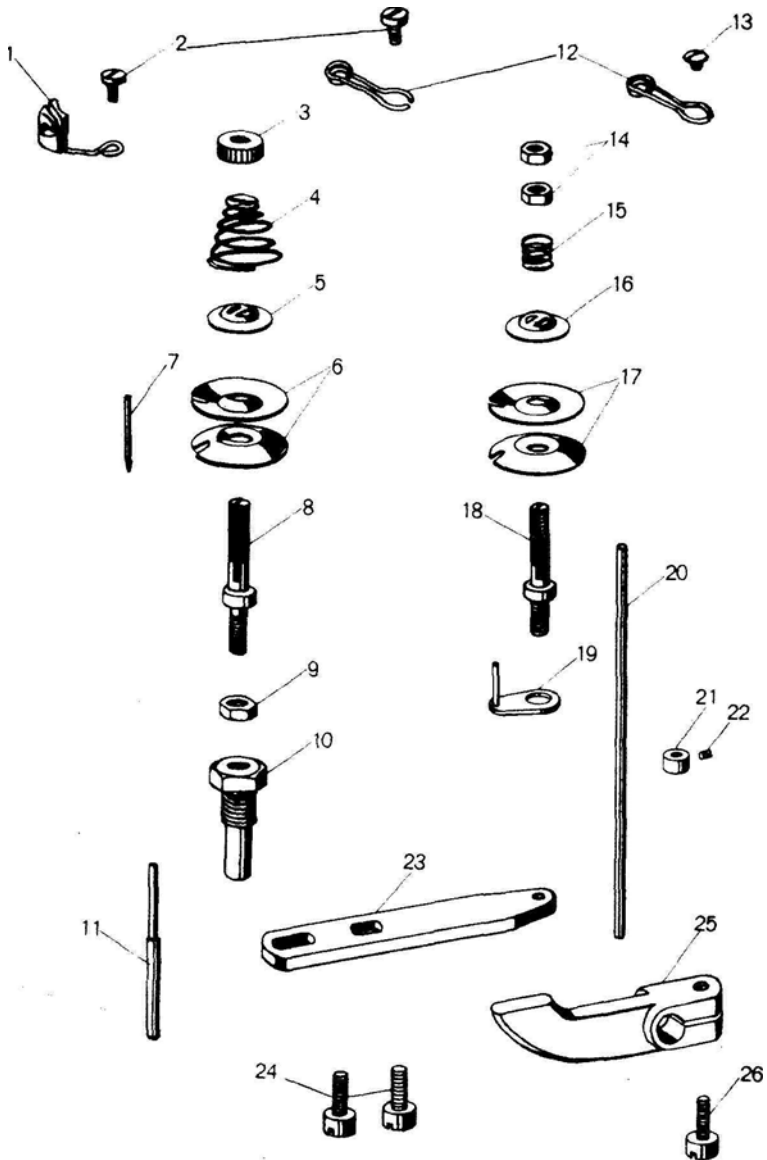
No.	Code	Description
1	11220-T	Ridge forming disc
2	4208	Ridge forming disc nut
3	5222-B	Ridge forming disc washer
4	8150	Ridge forming disc positioning pin
5	4109-A	Ridge forming disc shaft
6	4111	Ridge forming disc shaft collar
7	129-B	Ridge forming disc shaft collar set screw
8	4112	Ridge forming disc shaft crank
9	113-B	Ridge forming disc shaft crank set screw
10	515-A	Ball joint & stud assembly with screw(Ref.no.11)
11	108	Ball joint set screw
12	4176	Ball stud nut
13	4102	Disc adjusting holder
14	4108	Disc adjusting holder pivot bearing screw
15	98	Disc adjusting holder pivot bearing screw set screw
16	4107	Disc adjusting holder pivot bearing pin
17	98-A	Disc adjusting holder pivot bearing set screw
18	4104	Disc adjusting holder spring
19	4105	Disc adjusting holder spring screw
20	4106	Disc adjusting holder spring nut
21	4103-A	Disc adjusting holder spring stud
22	5208	Disc adjusting holder spring stud nut
23	11075-A	Feed plate shaft
24	4043	Feed plate shaft bushing
25	98	Feed plate shaft bushing set screw
26	4090	Feed plate shaft collar
27	129-B	Feed plate shaft collar set screw
28	516-B	Feed plate assembly w/screws&nuts (Nr odn.29,31)
29	4101	Feed plate taper bearing screw
30	4070	Feed plate nut
31	4096	Feed plate shoulder bearing screw
32	4093-BA	Feed plate screw
33	4094	Feed plate spring screw
34	4095	Feed plate spring adjusting nut
35	4097-A	Feed plate bracket
36	113-B	Feed plate bracket set screw
37	4122	Disc adjusting dial
38	4129	Disc adjusting dial set screw
39	519-AA	Disc adjusting regulator assembly
40	4010	Disc adjusting regulator ball
41	4011	Disc adjusting regulator spring
42	115	Disc adjusting regulator base set screw

Disc mechanism & knee press shaft parts components



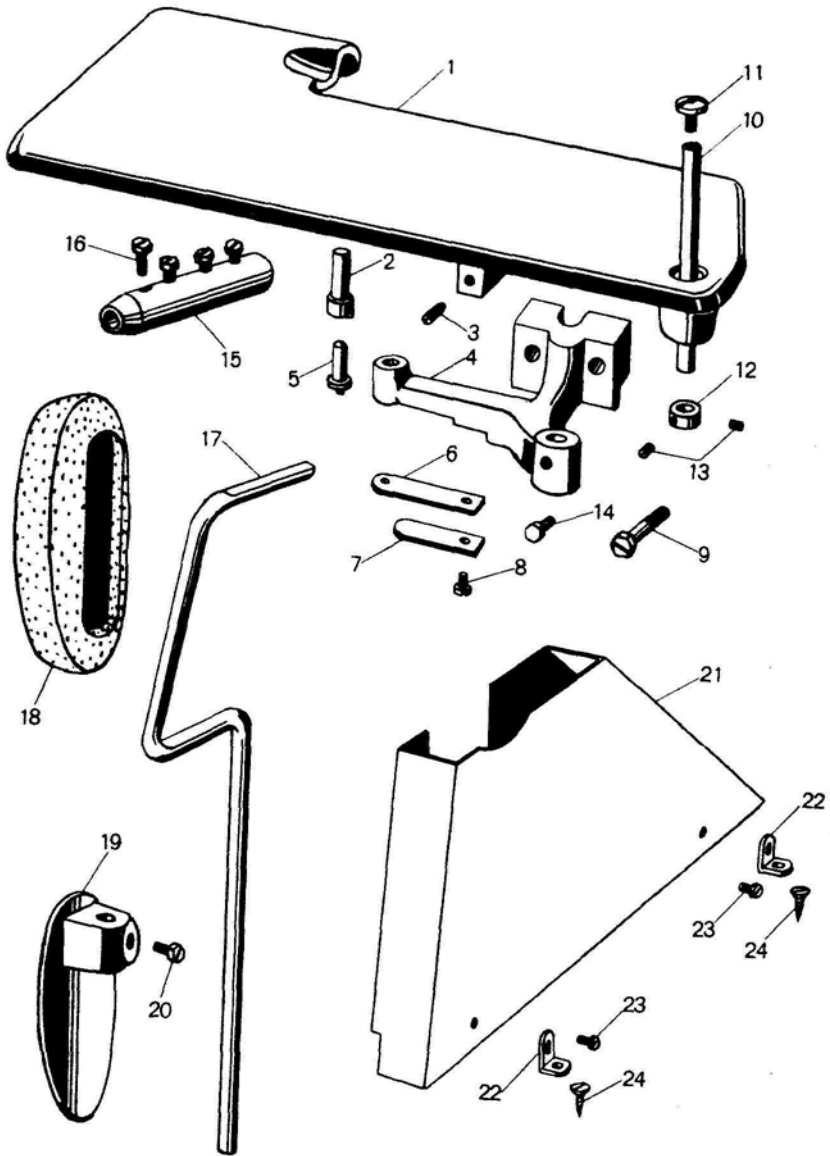
No.	Code	Description
1	4073-A	Disc oscillating rod bracket spring
2	4074	Disc oscillating rod bracket spring screw
3	4075	Disc oscillating rod bracket spring nut
4	4169	Connecting rod
5	4065	Connecting rod stud
6	114-B	Connecting rod stud set screw
7	S-4066BB	Disc oscillating rod assembly
8	129-B	Disc oscillating rod shaft set screw
9	4115	Disc oscillating rod pin
10	129-A	Disc oscillating rod pin set screw
11	4065	Disc oscillating rod stud
12	4031-A	Disc oscillating rod stud set screw
13	4069-A	Disc oscillating rod bracket spring stud
14	4070	Disc oscillating rod bracket spring stud nut
15	4076	Disc oscillating rod bracket shaft
16	4077-A	Disc oscillating rod bracket shaft collar
17	132	Disc oscillating rod bracket shaft collar set screw
18	131	Disc oscillating rod bracket shaft set screw
19	4098-A	Feed plate depressing crank
20	105	Feed plate depressing crank set screw
21	4178-A	Crank & link shoulder screw
22	5207	Crank & link shoulder screw nut
23	4086	Connecting link (large)
24	4067-A	Connecting link guide screw
25	4068-A	Connecting link guide screw nut
26	4083	Knee press shaft crank
27	4084	Knee press shaft crank set screw
28	4087	Connecting link (small)
29	4088-A	Connecting link set screw
30	5207	Connecting link set screw nut
31	4085	Crank & link shoulder screw
32	4081-A	Knee press shaft bushing
33	4206	Knee press shaft bushing washer
34	4205	Knee press shaft bushing nut
35	4177	Knee press shaft sleeve
36	11063-A	Knee press shaft
37	11539	Knee press shaft washer
38	4221	Knee press stop lever
39	4084	Knee press stop lever clamp screw
40	4222-A	Knee press stop lever spring
41	4116	Knee press stop lever spring pin
42	11050	Knee press stop lever limit screw
43	4068-A	Knee press stop lever limit screw nut
44	4171	Skip-stitch selecting grip
45	4010	Skip-stitch selecting ball
46	4011	Skip-stitch selecting spring
47	4174	Skip-stitch selecting spring holder
48	4170	Skip-stitch selecting grip bushing
49	4172	Skip-stitch selecting cam
50	4173	Skip-stitch selecting cam set screw
51	4175-A	Skip-stitch selecting cam stud
52	4070-A	Skip-stitch selecting cam stud nut

Thread tension and nipper



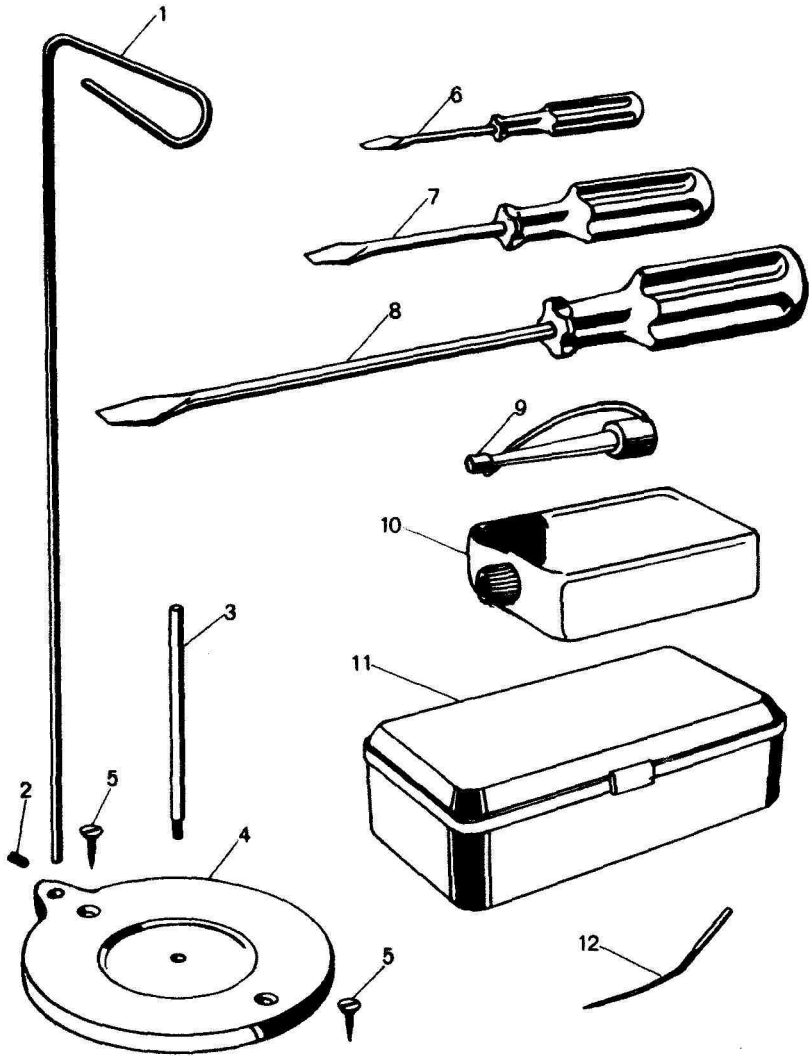
No.	Code	Description
1	11136	Thread guide with ceramic
2	113-A	Thread guide set screw
3	81	Thread tension nut
4	79-B	Thread tension spring
5	77	Thread tension washer
6	5190-A	Thread tension disc
7	4204	Thread tension disc pin
8	4209	Thread tension staff
9	4068-A	Thread tension staff nut
10	4201	Thread tension Staff bracket
11	4202	Thread tension releasing pin
12	4203-A	Thread guide
13	4193	Thread guide set screw
14	4199	Thread nipper nut
15	4198	Thread nipper spring
16	77	Thread nipper washer
17	5190-A	Thread nipper disc
18	5067	Thread nipper staff
19	4197	Thread nipper disc prop
20	11162	Thread nipper realising pin
21	6053	Thread nipper realising pin collar
22	130-B	Thread nipper realising pin collar set screw
23	4195-C	Thread nipper realising pin support
24	8158	Thread nipper realising pin support set screw
25	4194-A	Thread nipper realising pin lever
26	8158	Thread nipper realising pin lever set screw

Belt cover, work plate and knee plate



No.	Code	Description
1	4153	Work plate
2	4156	Work plate latch
3	4230	Work plate latch set screw
4	4157-A	Work plate bracket
5	4159	Work plate bracket spring pin
6	4160	Work plate bracket leaf spring long
7	4161	Work plate bracket leaf spring short
8	4048-A	Work plate bracket leaf spring set screw
9	4158	Work plate bracket set screw
10	4154-A	Work plate shaft
11	99-A	Work plate shaft cap
12	4155	Work plate shaft collar
13	132	Work plate shaft collar set screw
14	4180	Work plate shaft set screw
15	4146-A	Work press rod sleeve
16	4147-B	Work press rod sleeve set screw
17	4148-A	Knee press rod
18	4212	Knee press pad
19	4149	Knee press plate
20	4147-B	Knee press plate set screw
*21	4219-A	Belt cover
*22	11554	Belt cover bracket
*23	5233	Belt cover bracket set screw
*24	11557	Belt cover wood screw

Standard accessories



No.	Code	Description
1	4152	Thrad guide
2	129-A	Thread guide screw
3	4151	Spool pin
4	4150	Cotton stand base
5	AC-10	Cotton stand base screw
6	AC-03	Screwdriver small
7	AC-02	Screwdriver medium
8	AC-01	Screwdriver large
9	AC-04A	Oiler
10	AC-05	Oil
11	AC-08	Accessory box
12	4181	Needle