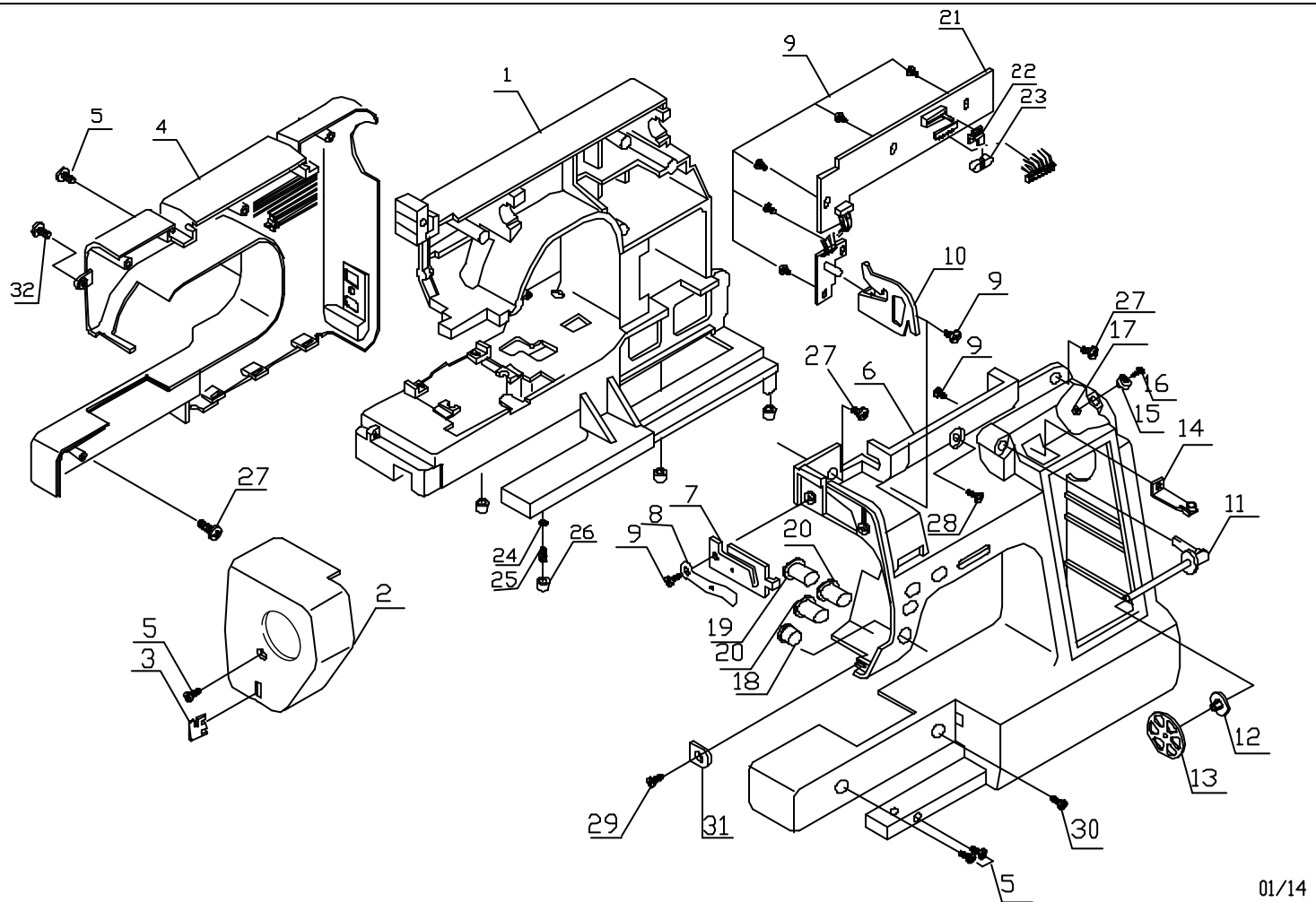


 ***texi***®

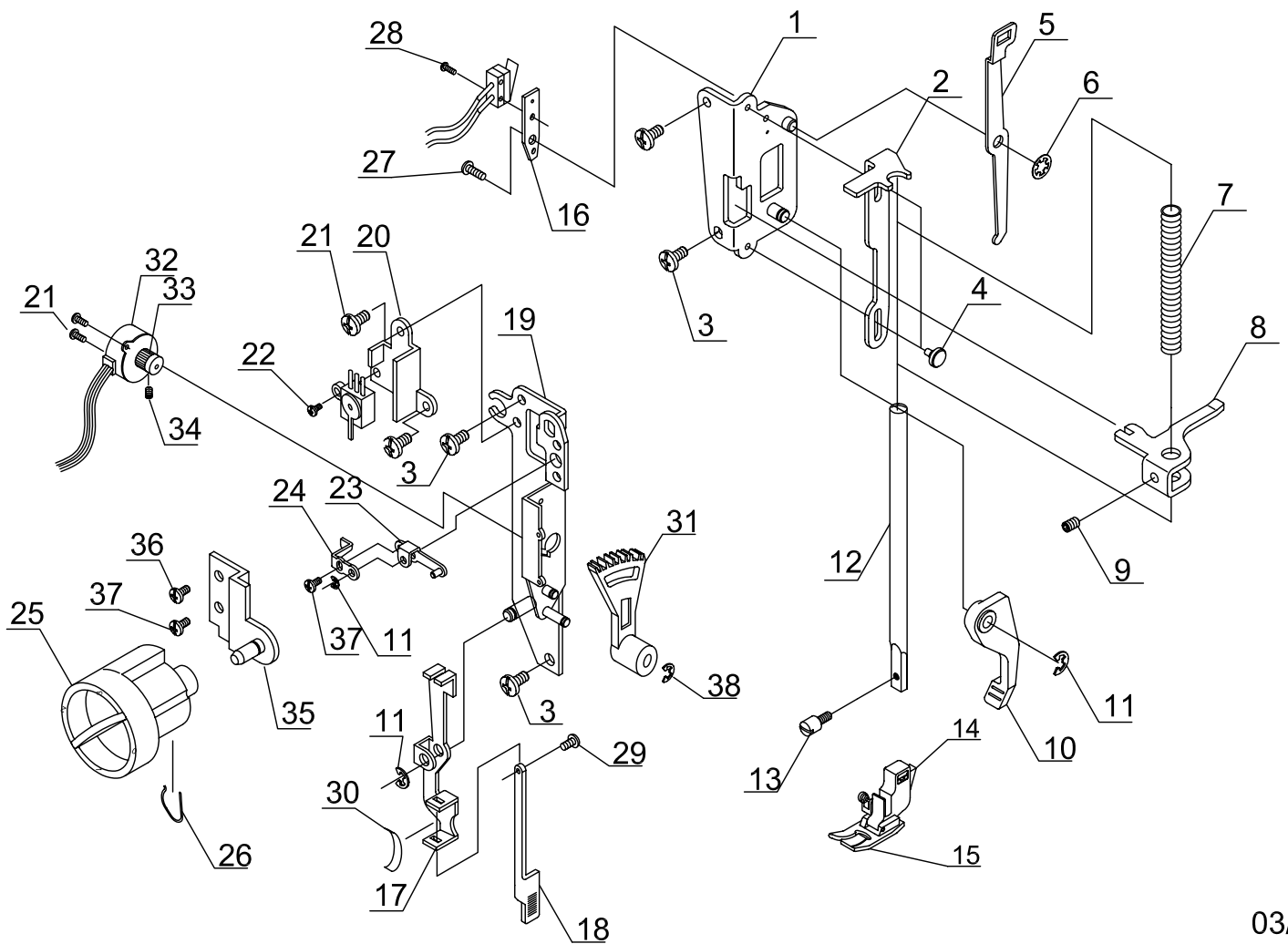
Ballerina

PARTS LIST



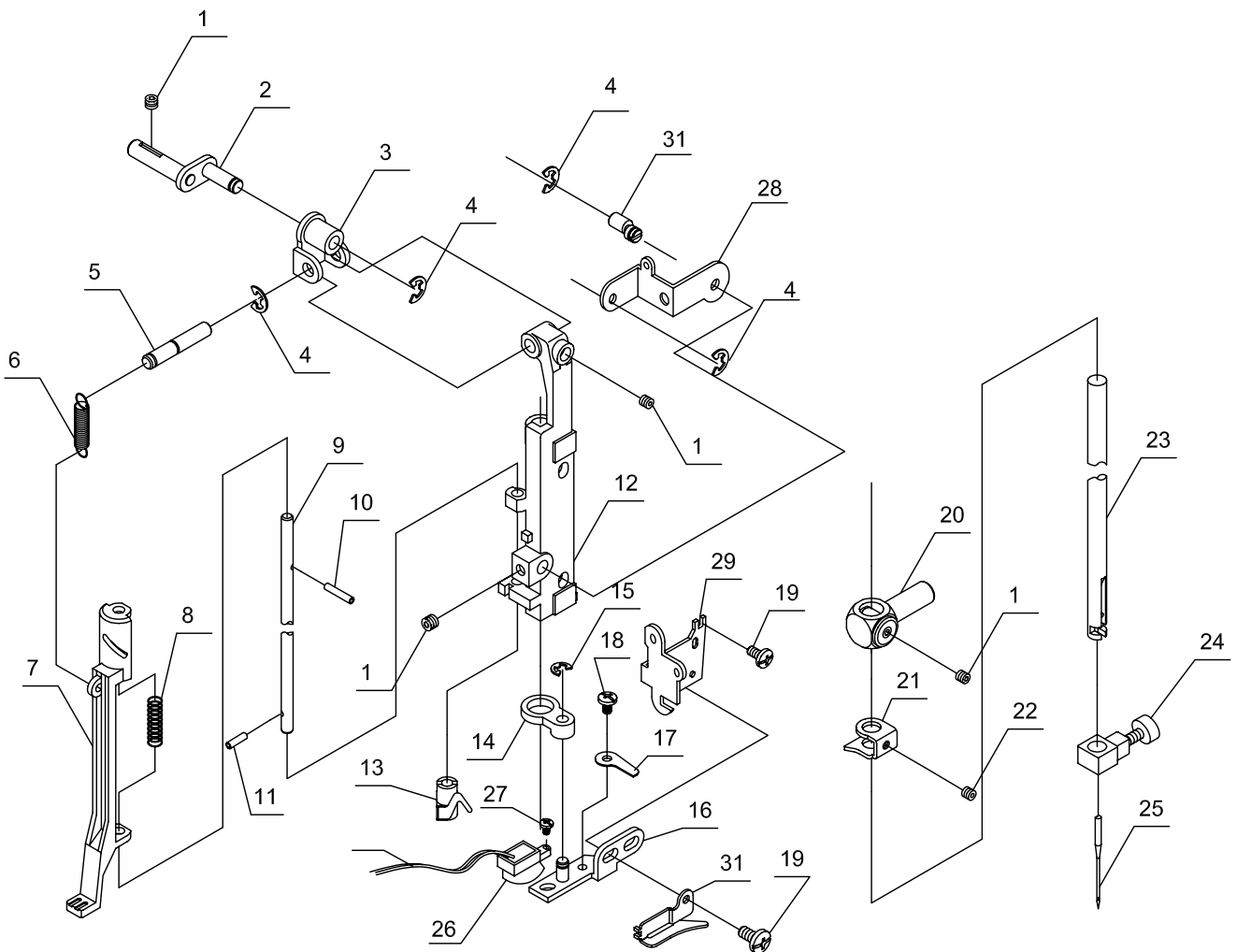
01/14

Key	Parts No	Name of Parts	Key	Parts No	Name of Parts
1	128 001	Arm	30	000080201	Flat head screw 4*8(CR)
2	600 007	Face plate	31	128102	Nut
3	790 055	Cutter	32	000081603	+--binding head screw 4*12
4	128003001	Back cover			
5	000081418	+--binding head screw 4X8(cr)			
6	128 002	Front plate			
7	128157	Threading plate			
9	000087909	T screw 3*8			
10	128 049	Threading plate(A)			
11	128 050	Spool			
12	986014033	Bobbin cover plate (small)			
13	986013032	Bobbin cover plate (big)			
14	128 051	Threading plate(D)			
15	321143000	Bobbin winder stoper			
16	000085501	+--Pan head screw 4X8(CR)			
17	000071105	Hexagon nut 4-3-7			
18	128 043	Opening button			
19	128 042	Slow speed button			
20	128 041	Reverse button			
21	128 047 (YSD4K88S)	Speed control circuit board			
22	128 045	Speed control button base			
23	128 044	Speed controller			
24	000010003	Rapid nut M4*0.7			
25	829099	Rubber cushion screw			
26	730303	Rubber cushion (9.5 length)			
27	000087805	T screw 4*12			
28	000086207	T screw 4*16(cut tall)			
29	266009009	+--binding head screw 3*6			



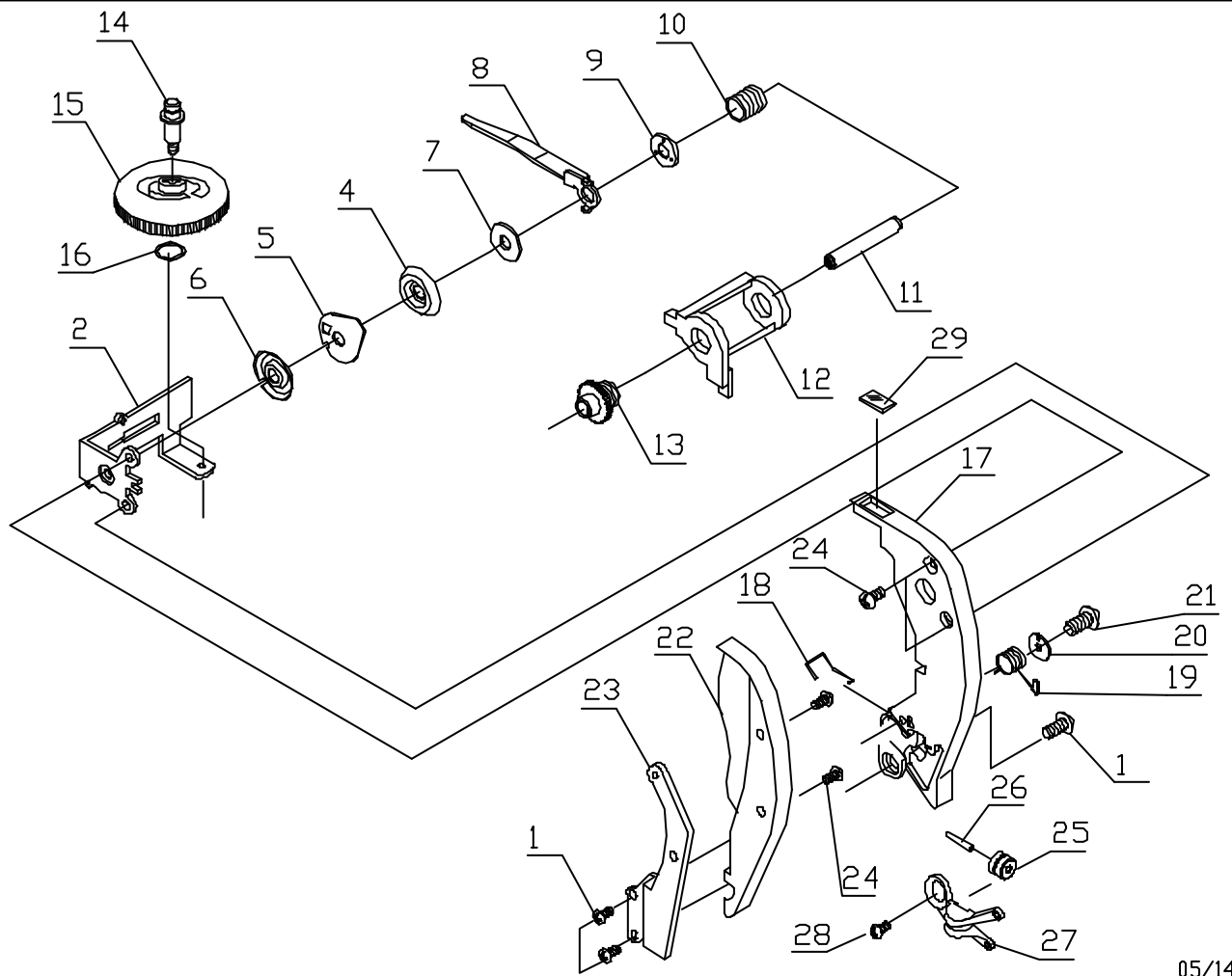
03/14

Key	Parts No	Name of Parts	Key	Parts No	Name of Parts
1	128501	Presser bar lifter base	30	868047	BH regulate crank shrapnel
2		Presser regulate rod	31	C168-002	Zigzag gear
3	000081407	+binding head screw 4X8	32	12813100	Presser bar spring
4	986 022	Pin	33	128081	Motor bear (zigzag)
5	128020	Release lever	34	000079000	Hexagon socket screw 3*4
6	000002002	Snap ring CS-5	35	SCM988-002	Presser regulate crank base
7	128127	Presser bar spring	36	000080107	flat head set screw 4*6
8	128016	Presser bar guide bracket	37	000081304	+binding head screw 4X6
9	000079402	Hexagon socket screw 4X8	38	000001104	Snap ring E-3
10	128017	Presser bar lifter			
11	000001207	Snap ring E-4			
12	986026	Presser bar			
13	270024003	Presser foot thumb screw			
14	A-RJ801	Presser foot holder			
15	A-RJ802	Presser foot			
16	128022	Switch plate			
17	C168-001	BH connecting crank			
18	128026	BH connecting rod			
19	SCM988-001	Lamp socket bracket			
20	128024	BH switch case			
21	000082305	+binding head screw 3*5			
22	000087909	T screw 3*6			
23	SCM988-003	Presser regulate crank (A)			
24	SCM988-004	Presser regulate crank (B)			
25	986031001	Presser regulate dial			
26	986032	Presser regulate dial spring			
27	000082305	+binding head screw 3*5			
28	000080206	+Pan head screw 2*8			
29	730175	+Pan head screw 2*3			



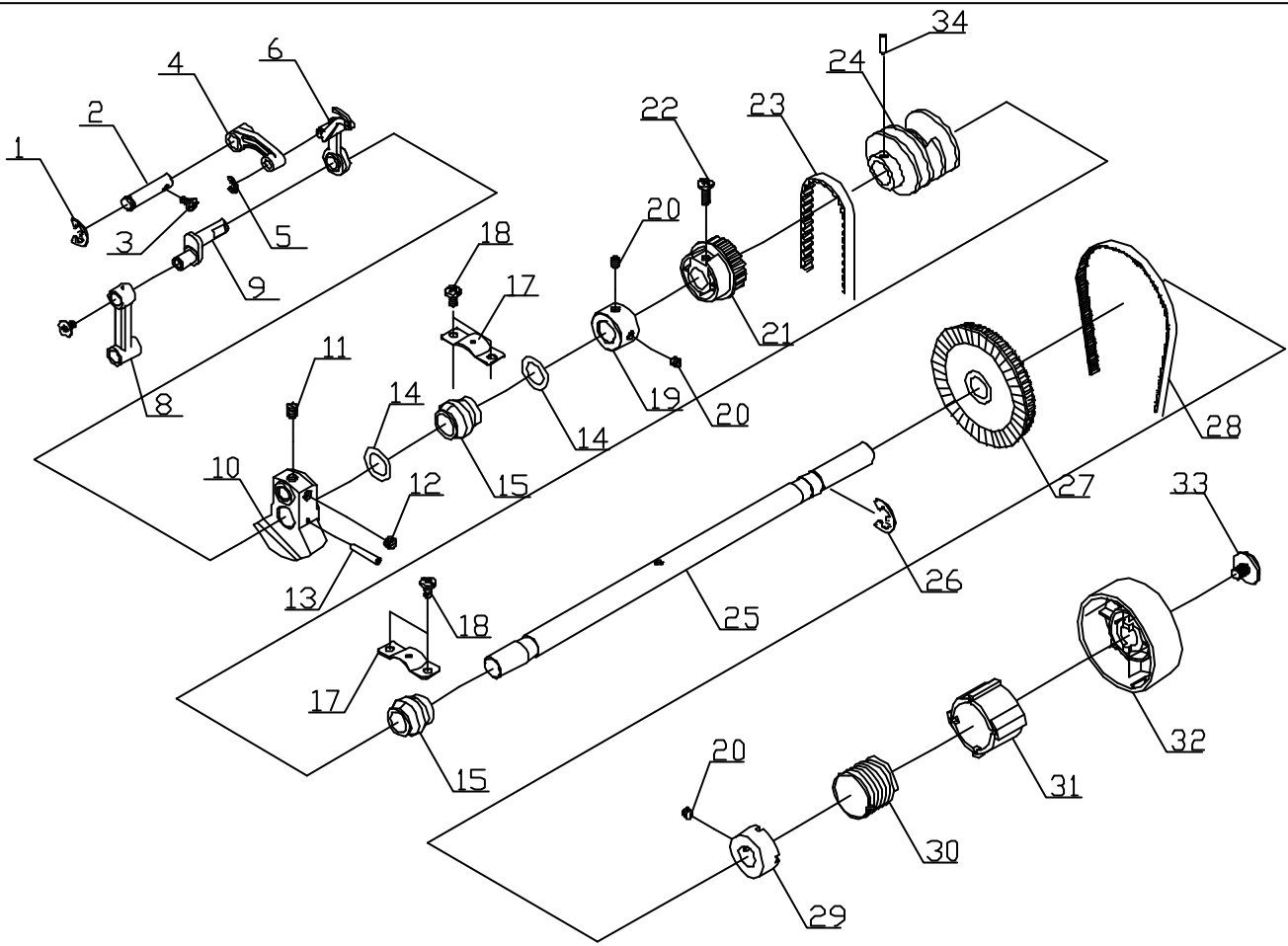
04/14

Key	Parts No	Name of Parts	Key	Parts No	Name of Parts
1	000 079 206	Hexagon socket screw 4X6	31	730078	Zigzag lever eccentric pin
2	986 051	Needle bar crank supporter shaft			
3	986 050	Needle bar crank supporter			
4	000 001 207	Snap ring E-4			
5	730 096	Needle bar crank pin			
6	730 102	Through thread body spring			
7	986 054	Through thread body			
8	730 103	Through thread bar spring			
9	986 055	Through thread bar			
10	000 006 914	Spring pin 2X12			
11	000 006 811	Spring pin 2X8			
12	986 052	Needle bar crank			
13	270 030 002	Lead thread body			
14	986 056	Needle bar lead plate			
16	128014	Needle bar lead base			
17	730 099	Needle bar crank stop plate			
18	000 082 408	+binding head screw 3X6			
19	000 081 407	+binding head screw 4X8			
20	281504006	Needle bar bracket (special)			
21	270 017 003	Through thread location plate			
22	000 079 000	Hexagon socket screw 3X4			
23	986 053	Needle bar			
24	168507	Needle clamp			
25	A-000201324	Needle			
26	C168-027	Lamp base			
27	000084709	binding head screw 3*6			
28	C986-002	Zigzag lever			
29	128013	Threading guide plate base			

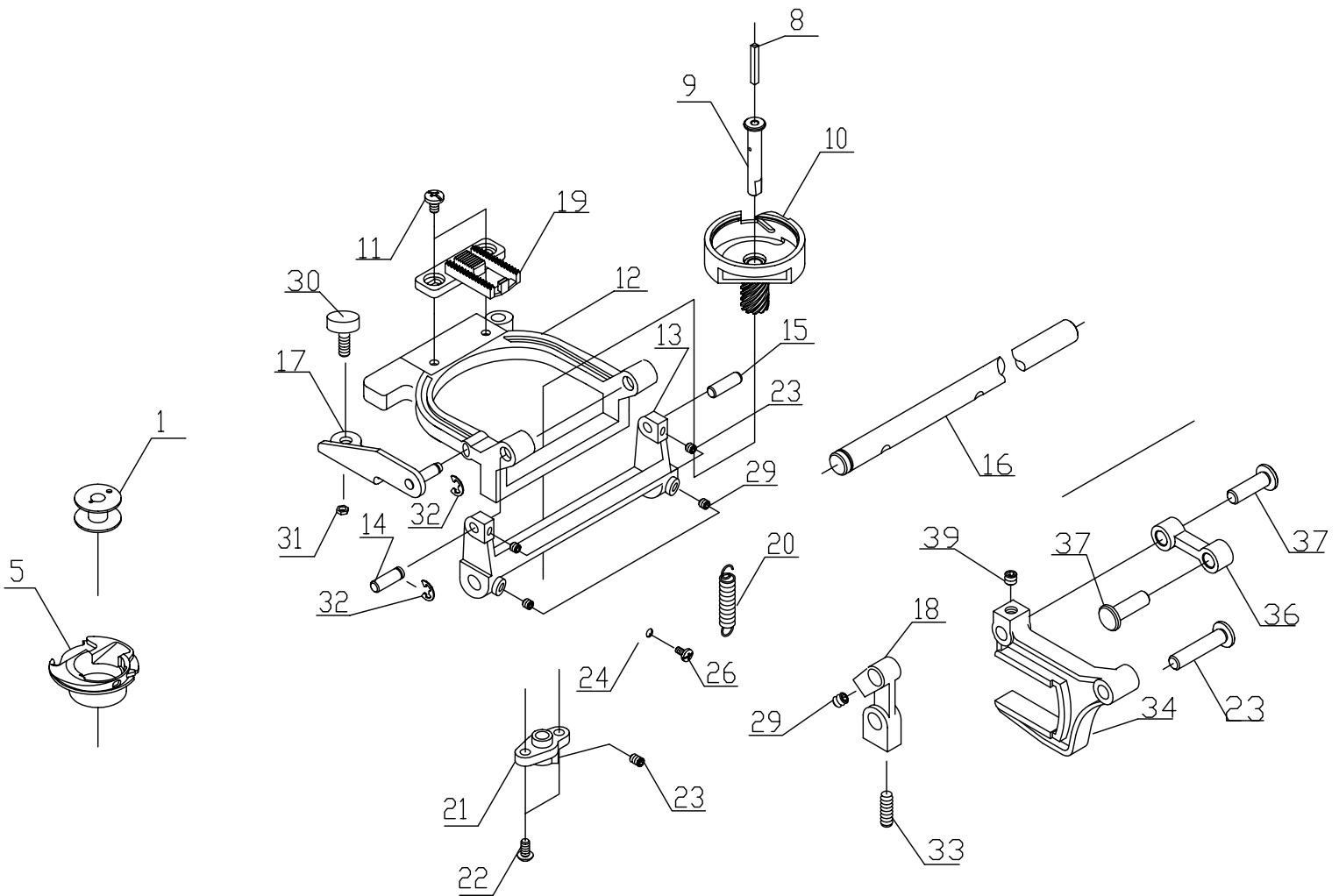


05/14

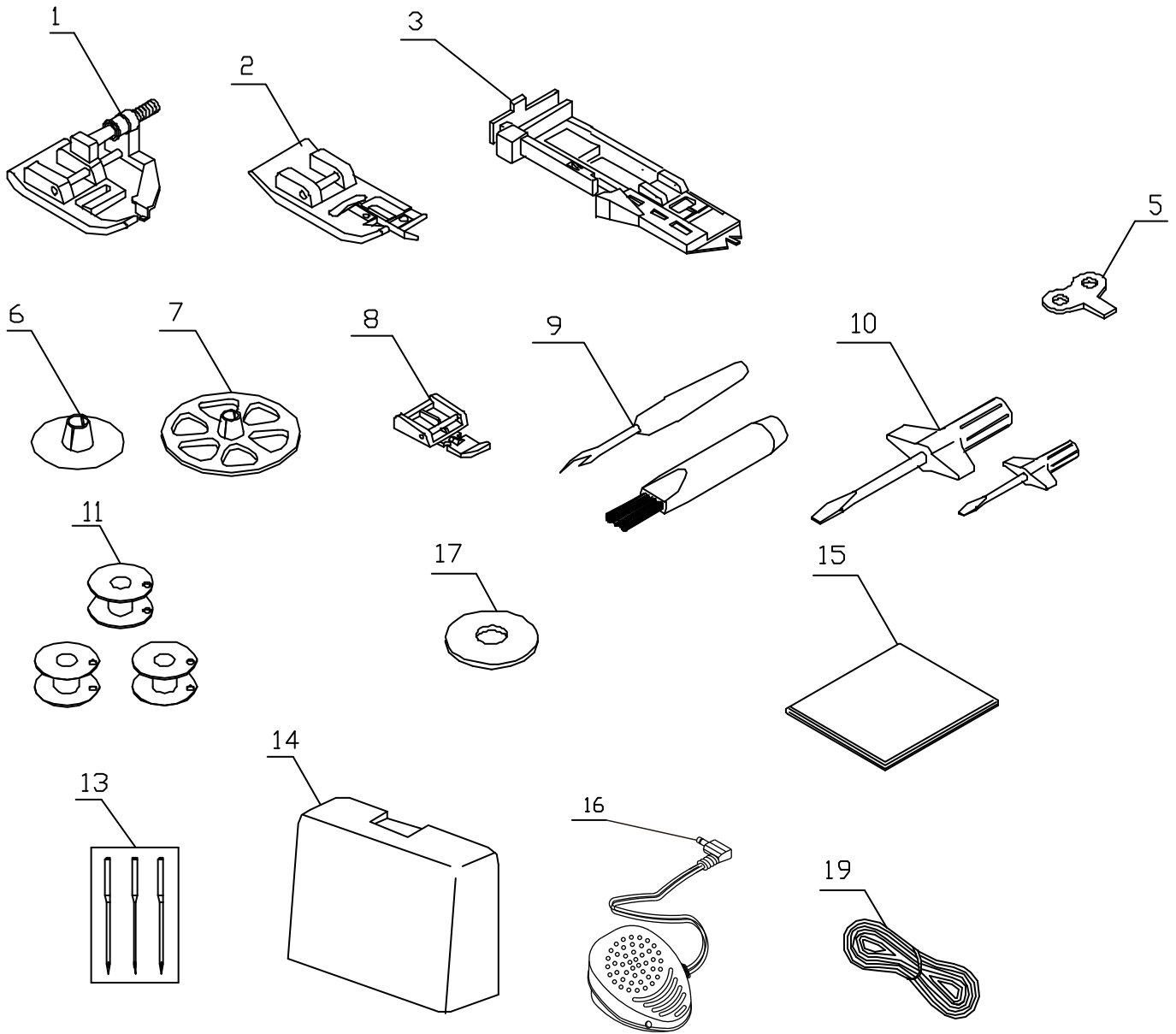
Key	Parts No	Name of Parts	Parts No	Name of Parts
1	266009009	+binding head screw 3X5		
2	128033	Thread regulator base		
3	000081407	+binding head screw 4X8		
4	868060	Thread tension regulate flat(l)		
5	168232	Middle plate		
6	868060	Thread tension regulate flat(r)		
7	868138	Washer 5.6X15X1		
8	128038	Thread tension connecting plate		
9	868113	Spring set position plate		
10	868115	Thread tension regulate spring		
11	128035	Thread tension regulate base shaft		
12	128034	Thread tension regulate plate		
13	868118	Elastic regulate		
14	128037	Thread tension regulate shaft		
15	128036	Thread tension regulate dial		
16	868234	Corrugated washer 9 m/m		
17	600009	Threading guide(1)		
18	600018	Thread guide spring		
19	128019	Thread taked-up spring		
20	986048	Spring set plate		
21	000087908	T screw 3X8		
22	128011	Threading guide(2)		
23	128012	Threading guide(2) firm plate		
24	000082408	?binding head screw 3*4		
25	790033	Rolling wheel		
26	790038	Rolling wheel shaet		
27	128137	Wheel cover		
28	000086000	Flathead screw 3*6		
29	128156	Plate		



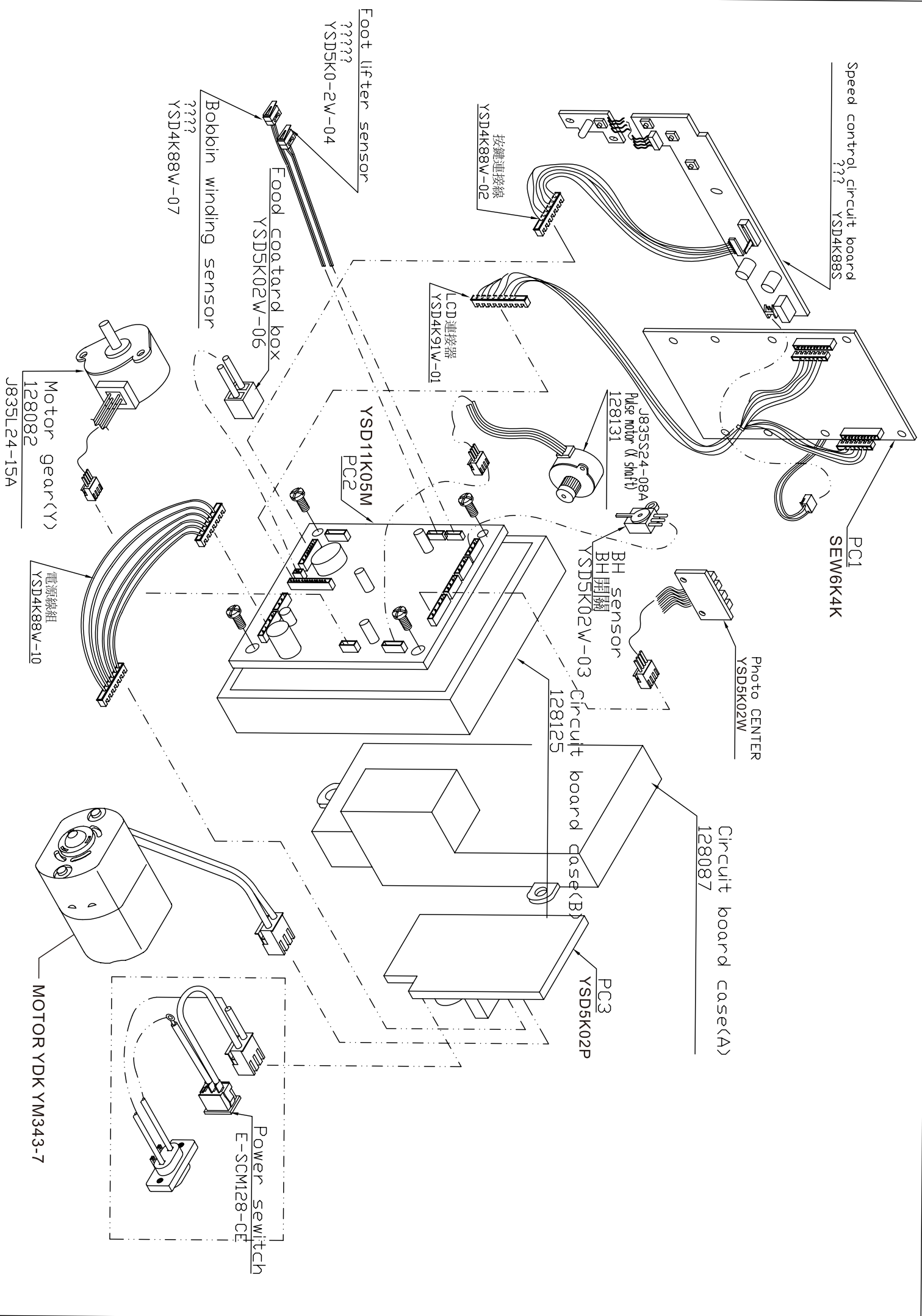
Key	Parts No	Name of Parts	Key	Parts No	Name of Parts
	128602		30	868 031	Clutch spring
1	000001505		31	128144	Clutch
2	128112		32	168013008	Hand wheel
3	000081706	Thread take-up complete	33	868 024	Stop motion large screw
4	128027		34	000006914	Spring pin 2*16
5	000001207				
6	128028				
8	281 046 005	Needle bar connecting rod			
9	128030	Needle bar crank pin			
10	128029	Thread take-up crank			
11	574 057 006	Set screw SM15/64-28*4			
12	101 040 008	Set screw SM15/64-28*6.5			
13	000 006 408	Spring pin 3X20			
14	000 001 310	Thrust washer 13X20X0.25			
15	268007209	Upper shaft bushing			
17	829048	Bushing plate			
18	000 081 407	+binding head screw 4X8			
19	62006008	Upper shaft ring			
20	000 079 608	Hexagon socket screw 5X5			
21	168010	Timing belt A			
22	000 081 706	+binding head screw 4X14			
23	000 092 906	Timing belt (184*L)			
24	128052	Sensor control plate			
25	128040	Upper shaft			
26	000001609	Snap ring E-10			
27	168011	Pulley ring			
28	000 092 009	Motor belt (506-2GT)			
29	168012	Hand wheel bushing			



Key	Parts No	Name of Parts	Key	Parts No	Name of Parts
1	A-218023	Bobbin	30	829023	Feed regulate screw
			31	000010003	Rapid nut M4*0.7
			32	000001104	Snap ring E-3
5	128130	Bobbin case complete	34	730 107	Feed driving rod
			36	730 049	Feed regulate rod
8	730 168	oil core	37	730 052	Feed regulate set pin
9	730 143	Hook race shaft			
10	128129	Hook race			
11	000083007	+Pan head screw 3*5			
12	128063	Feed dog base			
13	128065	Feed dog base crank			
14	128066	Feed dog base pin (A)			
15	128067	Feed dog base pin			
16	SCM988-007	Feed dog base pin shaft			
17	128076	Feed lifting crank			
18	128077	Feed rock crank			
19	128064	Feed dog			
20	730139	Feed dog spring			
21	730 141	Hook race set body			
22	000 084 400	+Pan head screw 4X8			
23	000 079 206	Hexagon socket screw 4X6			
24	SCM988-005	Feed lifting spring bracket			
26	000081407	+binding head screw 4X8			
29	000079206	Hexagon socket screw 4X6			



Key	Parts No	Name of Parts	Key	Parts No	Name of Parts
1	CY-7308	Blind hem foot			
2	321416018	Overcasting foot			
3	128110	BH foot			
5	Y-168023	Needle plate screwdriver			
6	986014033	Spool pin cap(small)			
7	986013032	Spool pin cap(large)			
8	321410001	Zipper foot			
9	321406015	Buttonhole opener and brush			
10	321403012	Screwdriver(large & small)			
11	218023	Bobbins			
13	000201210	Needle set			
14	c-023	Soft Dust Cover			
15	SCM8700001	Book			
16	YSD180034	Foot Control			
17	321402000	Spool pin felt			
19	E-SCM128-CE(L)	Power cord			



Speed control circuit board
 ???
 YSD4K88S

PC1
 SEW6K4K

Photo CENTER
 YSD5K02W

Circuit board case(A)
 128087

J835S24-08A
 Pulse motor (V shift)
 128131

BH sensor
 開閉線
 YSD5K02W-03

Circuit board case(B)
 128125

PC3
 YSD5K02P

按鈕連接線
 YSD4K88W-02

LCD 連接器
 YSD4K91W-01

Foot lifter sensor
 ???
 YSD5K0-2W-04

Food coarard box
 YSD5K02W-06

Bobbin winding sensor
 ???
 YSD4K88W-07

YSD11K05M
 PC2

Motor gear(Y)
 128082
 J835L24-15A

電源線組
 YSD4K88W-10

MOTOR YDK YM343-7

Power switch
 E-SCM128-CE