

Parts list

High speed bartack sewing machine

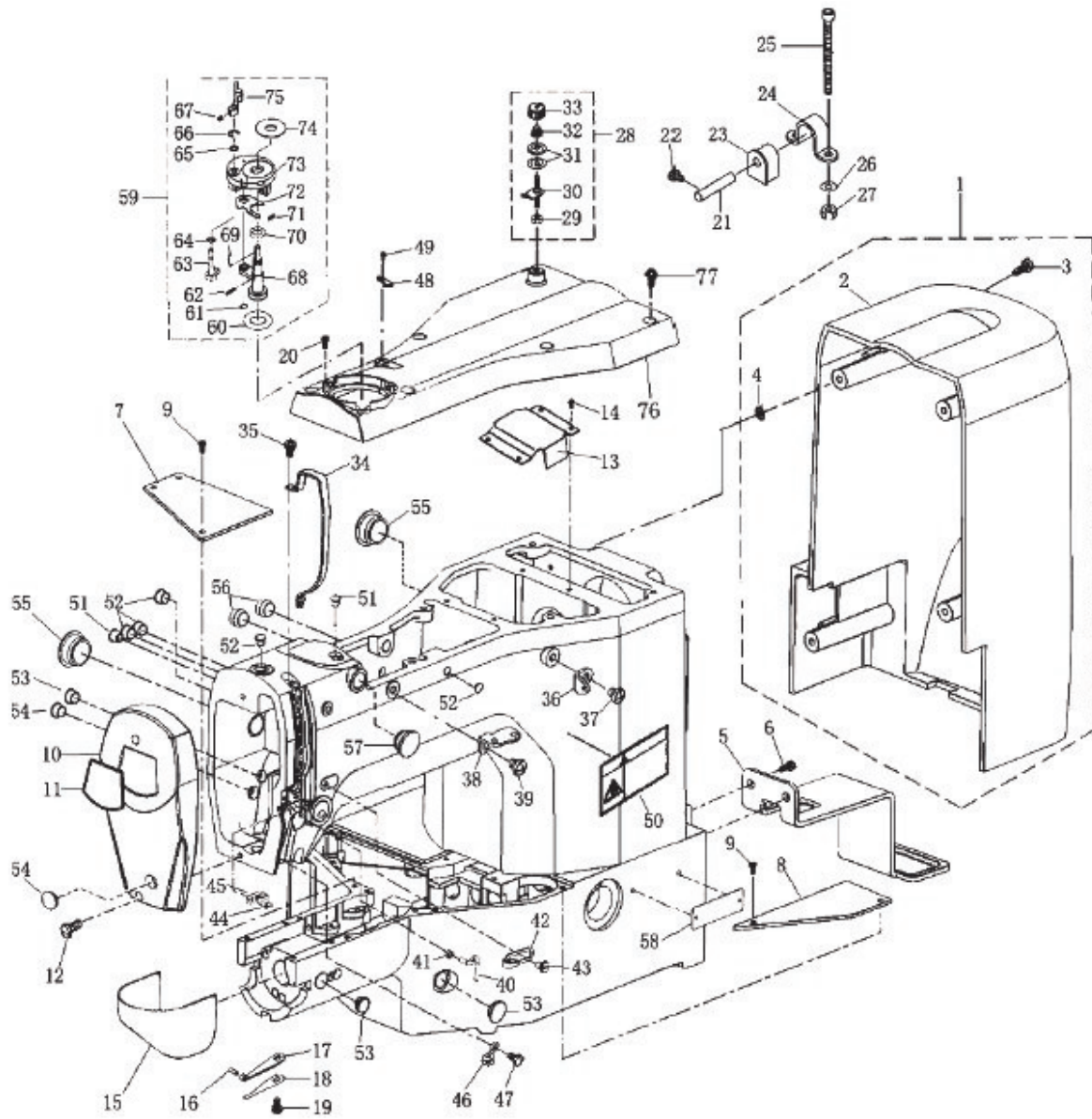
Catenaccio

 ***texi***®

CONTENTS

1. Frame & miscellaneous cover components	2
2. Main shaft & needle bar components	5
3. Shuttle driver shaft components	8
4. Wiper mechanism components	10
5. Tension release & thread tension components	12
6. Tension release & thread trimmer mechanism components	14
7. Feed mechanism components	16
8. TC clamp components	19
9. Sensor components	21
10. Thread stand components	23
11. Accessories part components	25
12. Optional parts	27

1. Frame & miscellaneous cover components



1. Frame & miscellaneous cover components

Ref. No.	Part No.	Description	QTY
1	20006929	MOTOR COVER ASM	1
2	20004107	MOTOR COVER	1
3	10011101	SCREW	4
4	10011135	STOPPER	4
5	10008600	PROTECTION PLATE	1
6	10011101	SCREW	2
7	20004112	BED COVER LEFT	1
8	20004113	BED COVER RIGHT	1
9	10011142	SCREW	5
10	20004104	FACE COVER	1
11	10005468	PLATE	1
12	10011150	SCREW	2
13	10014301	CRANK ROD COVER	1
14	10010668	SCREW	4
15	20001911	CYLINDER ARM CAP	1
16	10010815	PIN	1
17	10011420	HOOK COVER PRESSER SPRING A	1
18	10010807	HOOK COVER PRESSER SPRING B	1
19	10010808	SCREW	1
20	10011101	SCREW	3
21	10011141	PIN	2
22	10011232	SCREW	2
23	10011137	HINGE RUBBER	2
24	10011160	BED HINGE	2
25	10011147	SCREW	4
26	10003076	WASHER	4
27	10003084	NUT	8
28	10011595	BOBBIN THREAD TENSION ASM	1
29	10004507	NUT	1
30	10004504	BOBBIN THREAD TENSION ROD ASM	1
31	10004393	THEAD TENSION DISK	2
32	10004391	CONNECTING ROD SPRING	1
33	10004686	NUT	1
34	20003790	BALANGE COVER	1
35	10011143	SCREW	2
36	10011145	THREAD GUIDE NO.1	1
37	10011158	SCREW	1
38	10011200	THREAD GUIDE PLATE	1
39	10011158	SCREW	1
40	10011159	L-SHAPEDTHREAD GUIDE A	1
41	10011140	NUT	1
42	10008940	ARM THREAD GUIDE A	1
43	10011142	SCREW	1
44	10011142	SCREW	1
45	10014281	TAKE-UP THREAD GUIDE B	1
46	10011139	ARM THREAD GUIDE B	1
47	10010668	SCREW	1
48	10011149	THREAD CUTTER	1
49	10011143	SCREW	1
50	10008936	SAFETY LABEL	1

1. Frame & miscellaneous cover components

Ref. No.	Part No.	Description	QTY
51	10011188	RUBBER PLUG	2
52	10010587	RUBBER PLUG	5
53	10011136	RUBBER PLUG	4
54	10011099	RUBBER PLUG	2
55	10011146	RUBBER PLUG	2
56	10014279	RUBBER PLUG	2
57	10011190	RUBBER PLUG	1
58	10007967	MACHINE COVER	1
59	20002101	BOBBIN WINDER ASM	1
60	10011234	RUBBER RING	1
61	10006142	RETAINING RING	1
62	10004501	SPRING	1
63	10006151	BOBBIN WINDER REGULATOR	1
64	10004486	WASHER	1
65	10004486	WASHER	1
66	10013038	E-RING	1
67	10000735	SCREW	1
68	10004383	BOBBIN WINDER SHAFT COMPL	1
69	10009937	LATCH SPRING	1
70	10004485	RUBBER RING	1
71	10004494	SPRING	1
72	10004497	ADJUSTING PLATE	1
73	10011096	BOBBIN FITING BASIS COMPL	1
74	10004498	CUSHING	1
75	10000736	BOBBIN LEVER	1
76	20004106	TOP COVER	1
77	10011161	SCREW	6

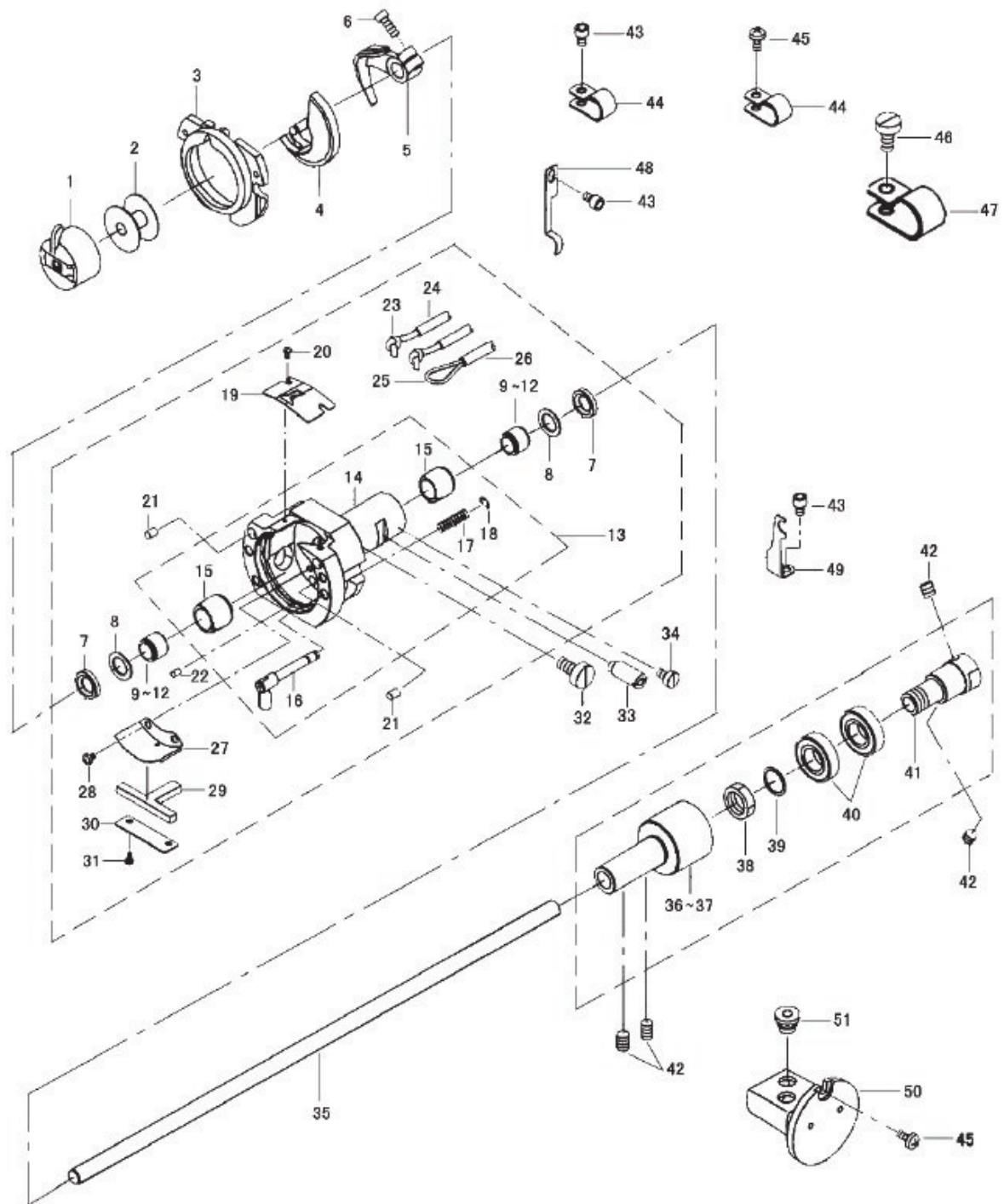
2. Main shaft & needle bar components

Ref. No.	Part No.	Description	QTY
1	10023528	NEEDLE ROD METAL	2
2	10010590	NEEDLE BAR CONNECTING COLUMN	2
3	10010643	SCREW	1
4	10014277	NEEDLE BAR	1
5	10011699	SCREW	1
6	10023529	NEEDLE ROD LOWER METAL	1
7	10011701	THREAD GUIDE	1
8	10023286	NEEDLE DPX5 (135X5)	1
9	10021602	THREAD TAKE UP COMPL	1
10	10007983	NEEDLE BAR CRANK BOD ASM	1
11	10007986	NEEDLE BAR CRANK ROD	1
12	10005793	NEEDLE BAR CRANK BOD METAL	1
13	10009777	BEARING	1
14	10010537	SCREW	1
15	10008014	NEEDLE BAR CRANK	1
16	10007987	THREAD TAKE UP CRANK	2
17	10007985	THREAD TAKE UP LEVER	1
18	10004161	THREAD PASS BUSH	1
19	10003533	BEARING	1
20	10009776	BEARING	2
21	10007984	BALANCE CRANK PIN	1
22	10005786	THRUST COLLAR	2
23	10005747	BEARING	2
24	10005745	THRUST COLLAR	1
25	10004482	SCREW	2
26	10011232	SCREW	2
27	10011194	SQUARE BLOCK	1
28	10011622	THRUST COLLAR	1
29	10014283	COUNTER EIGHT	1
30	10014272	SCREW	1
31	10014282	SCREW	1
32	10014284	SCREW	1
33	10011232	SCREW	1
34	10003467	BEARING	1
35	10014280	BEARING BUSH A	1
36	10010678	SCREW	2
37	10011225	SCREW	1
38	10011603	PULLEY	1
39	10011231	HAND PULLEY SHAFT	1
40	10006073	PIN	1
41	10011242	SPRING	1
42	10021312	GEAR ASM.	1
43	10011235	GEAR	1
44	10011226	SCREW	2
45	10002392	BTW DRIVING WHEEL	1
46	10011223	SCREW	2
47	10027407	GEAR ASM.	1
48	10002413	GEAR	1
49	10011226	SCREW	2
50	10014278	MAIN SHAFT	1

2. Main shaft & needle bar components

Ref. No.	Part No.	Description	QTY
51	10014362	BEARING BUSH B	1
52	10010678	SCREW	2
53	10003547	BEARING	1
54	10014337	CRANK BALANCER	1
55	10014332	CRANK BALANCER FIX PLATE	1
56	10011644	SCREW	2
57	10014266	PUBBER PLUG	1
58	10009626	SCREW	3
59	10014268	CRANK ROD SUPPORT PLATE	1
60	10014269	THRUST COLLAR	2
61	10014270	CRANK ROD	1
62	10023508	BEARING	1
63	10023509	BEARING	1
64	10023510	BEARING	1
65	10023511	BEARING	1
66	10014265	ECCENTRIC WHEEL	1
67	10009187	SCREW	2
68	10014264	BEARING BUSH C	1
69	10010678	SCREW	2
70	10025863	BEARING	1
71	10012613	COUPLING	1
72	10011227	RELAX	1
73	10012615	COUPLING	1
74	10009187	SCREW	4
75	10024981	AC SERVO MOTOR	1
76	10000157	SCREW	4
77	10008551	PIN	1
78	10008790	GEAR	1
79	10003533	BEARING	2
80	10011232	SCREW	2
81	10025296	THRUST COLLAR	1
82	10013590	SCREW	2
83	10004600	THRUST COLLAR	1
84	10013590	SCREW	2
85	10014333	PIN	1
86	10011188	PUBBER PLUG	1

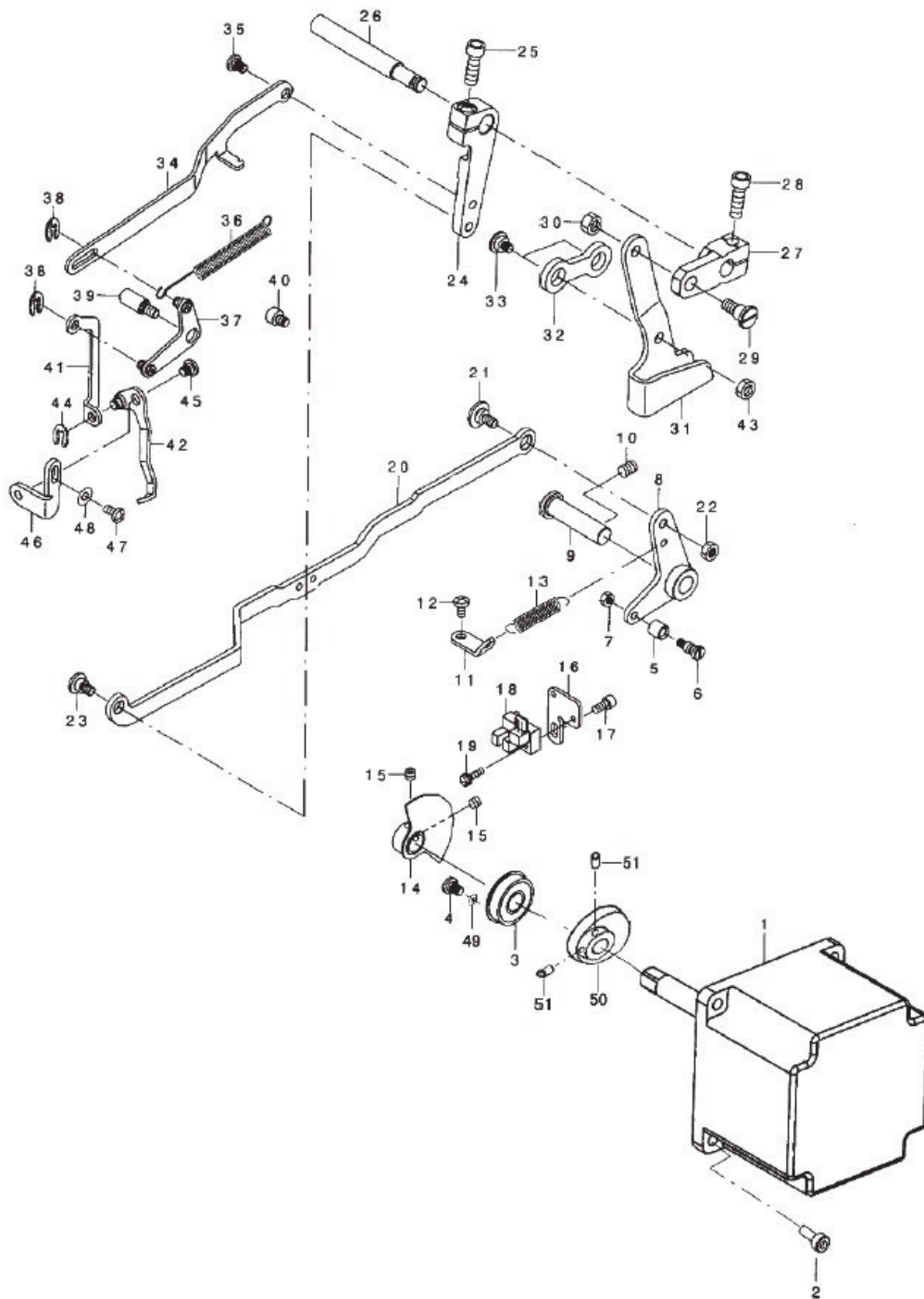
3. Shuttle driver shaft components



3. Shuttle driver shaft components

Ref. No.	Part No.	Description	QTY
1	10003781	BOBBIN CASE ASM	1
2	10004592	BOBBIN	1
3	10010738	SHUTTLE RACE RING ASM	1
4	10025068	INNER HOOK	1
5	10004609	SHUTTLE DRIVER	1
6	10004611	SCREW	1
7	10014297	SHUTTLE OIL SEAL	2
8	10014295	SHUTTLE BEARING RING	2
9	10023516	BEARING	2
10	10023517	BEARING	2
11	10023518	BEARING	2
12	10023519	BEARING	2
13	10022792	SHUTTLE ASM.	1
14	10014248	SHUTTLE	1
15	10008576	SHUTTLE BUSH	1
16	10004261	INNER HOOK PRESSER ASM.	2
17	10004495	SPRING	2
18	10009669	E-RING	2
19	10004596	SHUTTLE UPPER SPRING	1
20	10010744	SCREW	2
21	10011077	SHUTTLE OIL FELT	2
22	10011427	SHUTTLE OIL FELT	1
23	10008103	OIL WICK	2
24	10007795	VINYL PIPE	2
25	10008103	OIL WICK	1
26	10007795	OIL TUBE	1
27	10007926	SHUTTLE LUBRICATING PLATE	1
28	10010797	SCREW	2
29	10010800	SHUTTLE ONCE THROUGH OIL FELT	1
30	10010799	ONCE THROUGH OIL LFELT PRESSER	1
31	10010744	SCREW	2
32	10010817	SCREW	1
33	10011426	SCREW	1
34	10011425	SCREW	1
35	10014336	LOWER SHAFT	1
36	10023514	GEARED SLEEVE A	1
37	10023515	GEARED SLEEVE B	1
38	10014335	NUT	1
39	10014330	WASHER	1
40	10012777	BEARING	2
41	10014329	GEARED	1
42	10011232	SCREW	4
43	10010685	SCREW	3
44	10008228	CABLE CLIP	3
45	10012892	SCREW	3
46	10011101	SCREW	1
47	10008229	CABLE CLIP	1
48	10014294	OIL_PIPE HOLDER	1
49	10014288	TUBE_CLAMP	1
50	10021601	OIL TANK ASM.	1
51	10014296	RUBBER BUSH	2

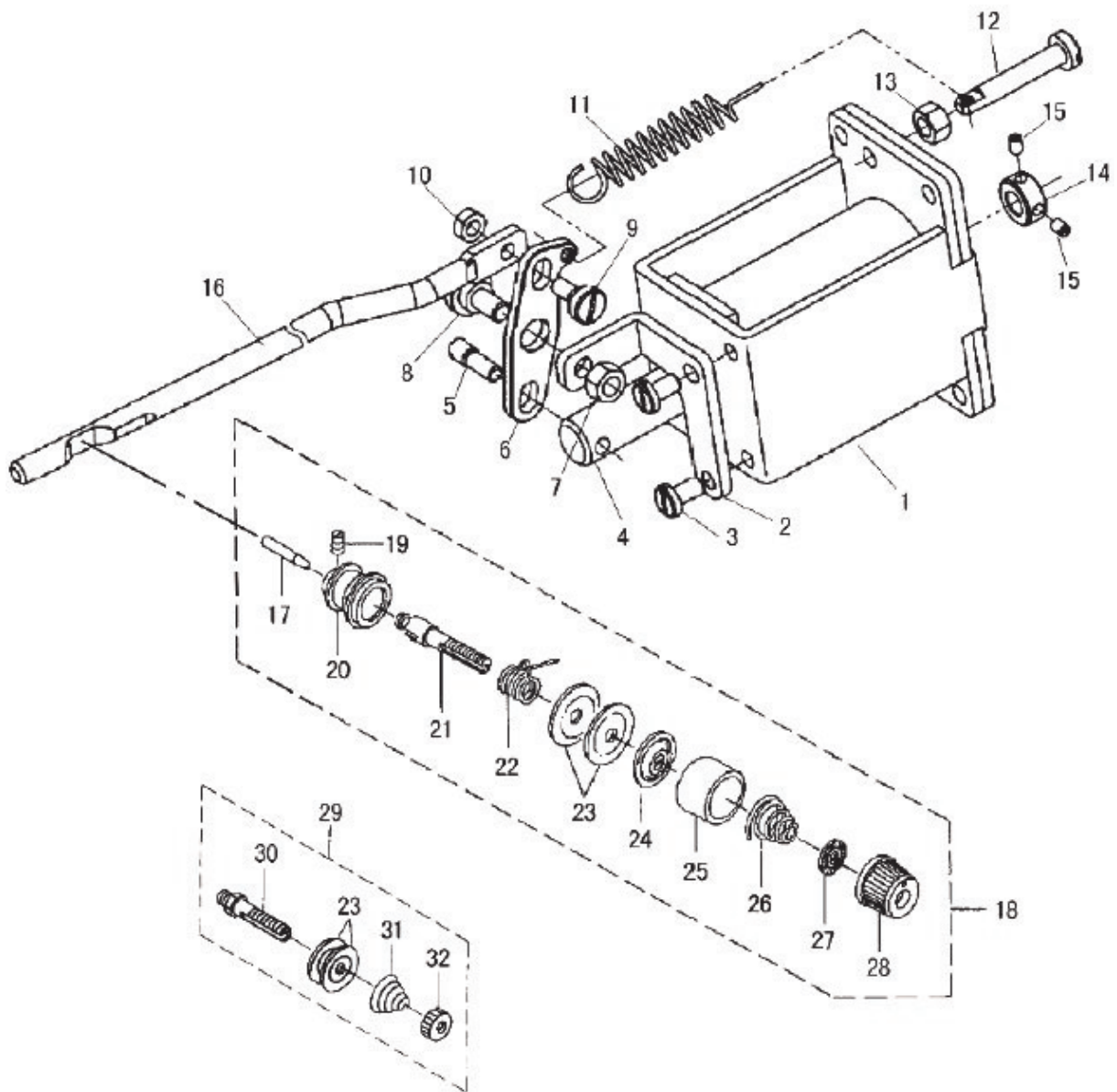
4. Wiper mechanism components



4. Wiper mechanism components

Ref. No.	Part No.	Description	QTY
1	10024982	PRESSER LIFTING MOTOR	1
2	10011644	SCREW	4
3	10003601	BEARING	1
4	10010668	SCREW	1
5	10028245	NEEDLE CAM ROLLER A	1
6	10014342	UTT CAM ROLLER SHAFT	1
7	10014354	NUT	1
8	10007998	LIFTER LINK A ASM	1
9	10014289	THREAD TRIMMER SHAFT	1
10	10011232	SCREW	1
11	10014343	SIDE COVER THREAD GUIDE	1
12	10012892	SCREW	1
13	10014356	SPRING	1
14	10014293	SENSOR SLIT	1
15	10011518	SCREW	2
16	10014291	SENSOR INSTALLING BASE	1
17	10010668	SCREW	1
18	10026622	PHOTO SENSOR	1
19	10010667	SCREW	1
20	10014351	LIFTER LINK B	1
21	10014344	SCREW	1
22	10010725	NUT	1
23	10025297	SCREW	1
24	10010679	CONNECTING ARM	1
25	10010735	SCREW	1
26	10011914	CONNECTING SHAFT	1
27	10014340	LOWERING ARM	1
28	10010735	SCREW	1
29	10010674	SCREW	1
30	10010725	NUT	1
31	10014355	LOWERING FOOT	1
32	10010684	CONNECTING LINK	1
33	10010727	SCREW	2
34	10014346	WIPER CONNECTING LINK	1
35	10004594	SCREW	1
36	10004604	SPRING	1
37	10014352	WIPER CONNECTING ARM ASM	1
38	10009653	RETAINING RING	2
39	10004601	SCREW	1
40	10014345	SCREW	1
41	10014353	WIPER CONNECTING PLATE	1
42	10014348	WIPER C ASM	1
43	10010725	NUT	1
44	10009653	RETAINING RING	1
45	10004593	SCREW	1
46	10014341	WIPER BASE PLATE	1
47	10004593	SCREW	1
48	10009653	WASHER	1
49	10010741	WASHER	1
50	10014287	LIFT TO PRESS THE CAM	1
51	10011232	SCREW	2

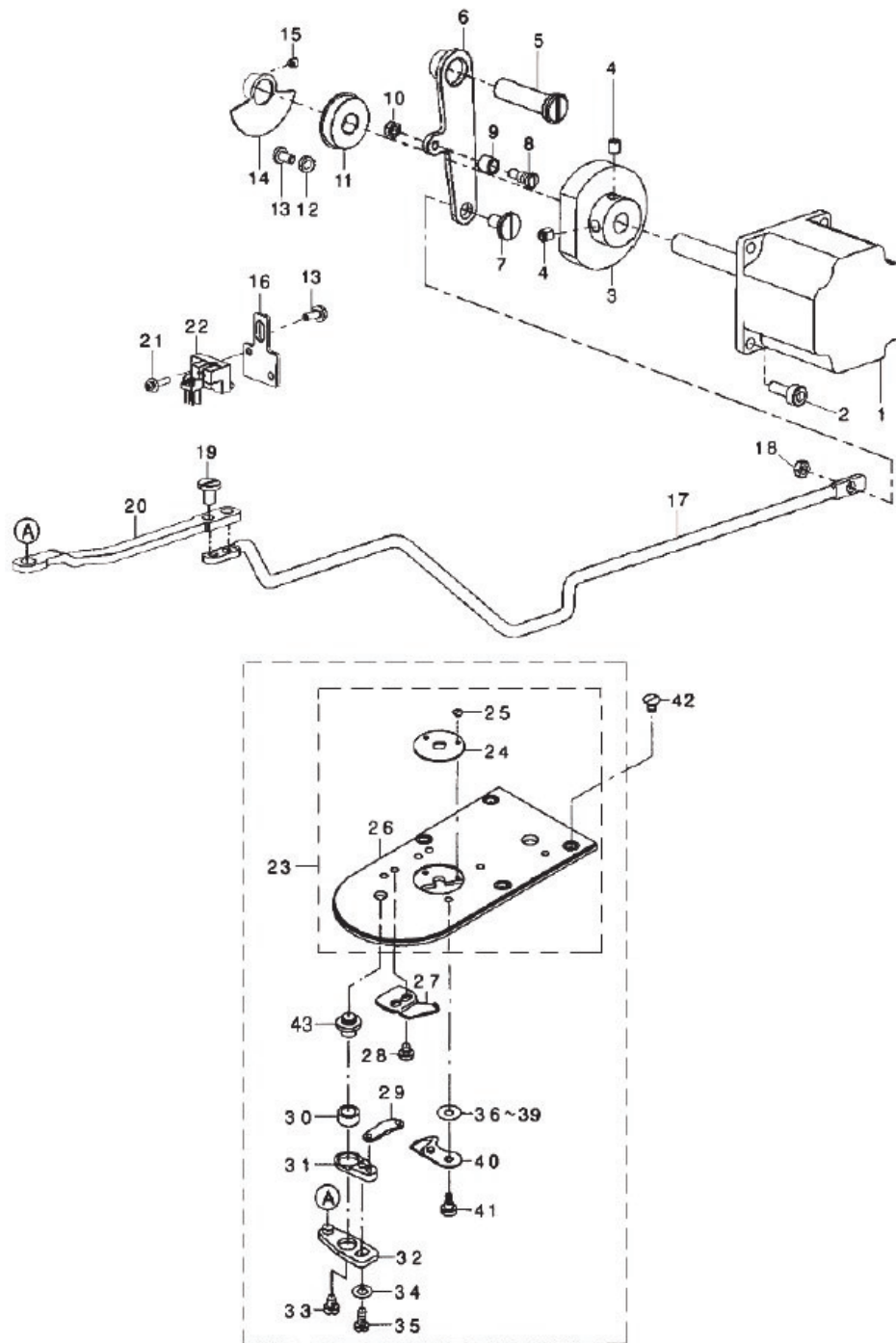
5. Tension release & thread tension components



5. Tension release & thread tension components

Ref. No.	Part No.	Description	QTY
1	10008005	LOOSE WIRE SOLENOID COIL	1
2	10014319	PINE LINE CRANK FRAME	1
3	10010668	SCREW	2
4	10008029	PINE LINE SOLENOID MANDREL	1
5	10014320	SCREW	1
6	10014316	SONG LINE CRANK	1
7	10010133	NUT	1
8	10014317	SCREW	1
9	10014299	SCREW	1
10	10002076	NUT	1
11	10014356	SPRING	1
12	10014323	SCREW	1
13	10010133	NUT	1
14	10008025	THRUST COLLAR	1
15	10002853	SCREW	2
16	10008007	TENSION RELEASE BAR	1
17	10008026	TENSION RELEASE PIN	1
18	10014327	SECOND THREAD TENSION ASM	1
19	10004632	SCREW	1
20	10004631	THREAD TENSION ROD, LARGE	1
21	10004612	SCREW	1
22	10004624	SPRING	1
23	10004393	THREAD TENSION DISK	4
24	10004625	THREAD TENSION DISK PRESSER	1
25	10004598	THREAD TENSION DISK PRESSER	1
26	10004626	SPRING	1
27	10004633	ROTATING STOPPER	1
28	10004783	THREAD TENSION NUT	1
29	10011493	FIRST THREAD TENSION ASM	1
30	10004666	SCREW	1
31	10004669	SPRING	1
32	10004664	TENSION NUT	1

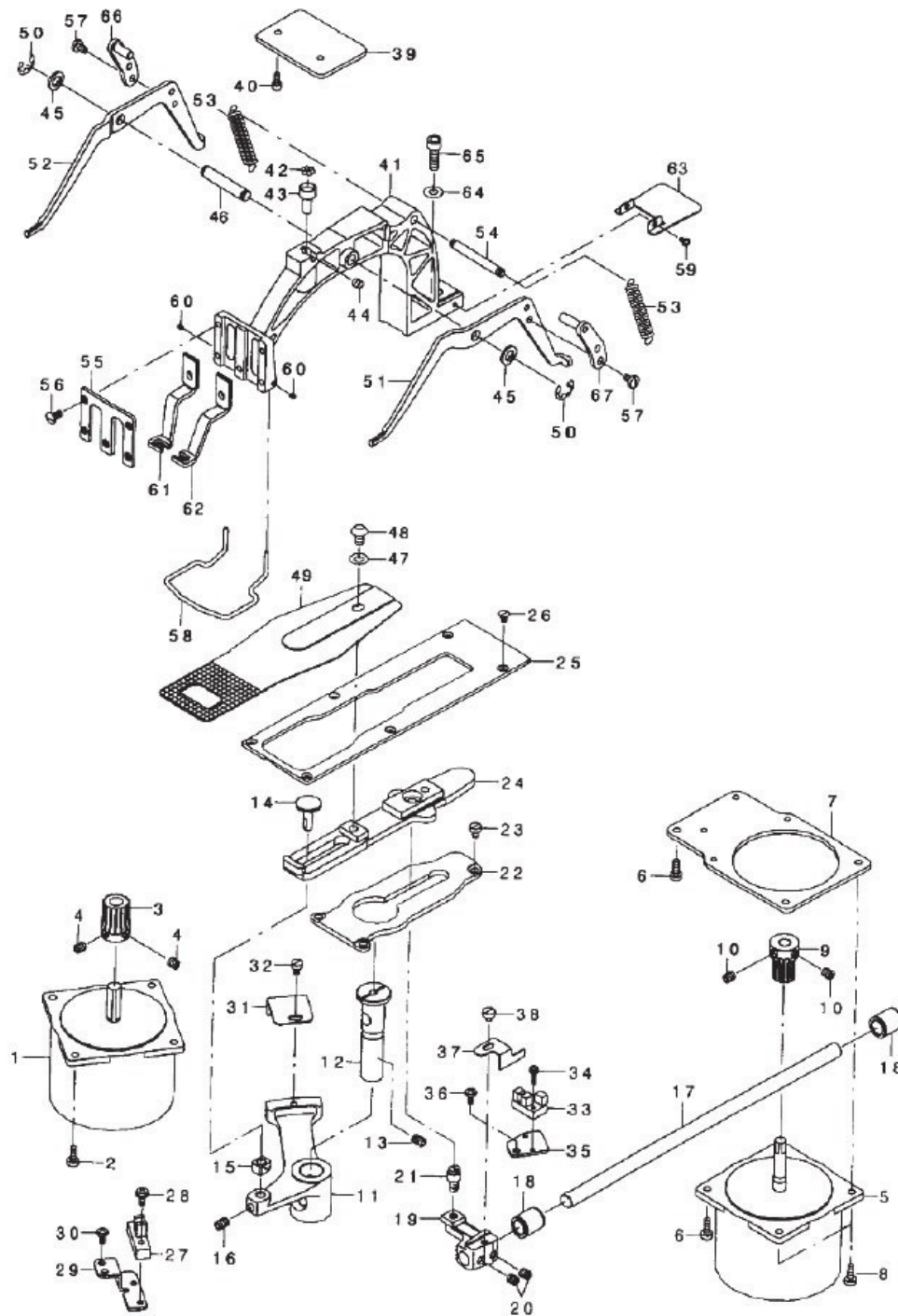
6. Tension release & thread trimmer mechanism components



6. Tension release & thread trimmer mechanism components

Ref. No.	Part No.	Description	QTY
1	10024983	SHEAR-LINE MOTOR	1
2	10011644	SCREW	4
3	10014347	TRIMMING CAM	1
4	10011232	SCREW	2
5	10014289	THREAD TRIMMER SHAFT	1
6	10014339	THREAD TRIMMER LINK	1
7	10014344	SCREW	1
8	10014342	PIN	1
9	10028245	PIN SET	1
10	10014354	NUT	1
11	10003601	BEARING	1
12	10010741	WASHER	1
13	10010668	SCREW	2
14	10024630	SENSOR SLIT ASM	1
15	10011518	SCREW	2
16	10014350	SHRAR-LINE SENSOR INSTALLATION SHEET	1
17	10008078	CONNECTING BAR	1
18	10010725	NUT	1
19	10011142	SCREW	2
20	10008006	SHEAR-LINE ROD CONNECTOR	1
21	10010667	SENSOR SCREW COMPONENTS	1
22	10026622	SENSORS	1
23	10014298	NEEDLE PATE ASM.	1
24	10004646	NEEDLE HOLE GUIDE	1
25	10011509	SCREW	2
26	10008027	NEEDLE PLATE	1
27	10011501	FIXING KNIFE	1
28	10011499	SCREW	2
29	10011453	MOVING KNIFE LINK	1
30	10011502	THREAD CUTTING LEVER RING	1
31	10010733	THREAD CUTTER LEVER ASM., SMAL	1
32	10010737	THREAD CUTTER LEVER ASM., LARG	1
33	10011503	SCREW	1
34	10011506	WASHER	1
35	10009906	SCREW	1
36	10007183	WASHER	1
37	10007361	WASHER	1
38	10007362	WASHER	1
39	10007363	WASHER	1
40	10011513	MOVING KNIFE ASM.	1
41	10011500	SCREW	1
42	10011511	SCREW	1
43	10011455	SCREW	1

7. Feed mechanism components



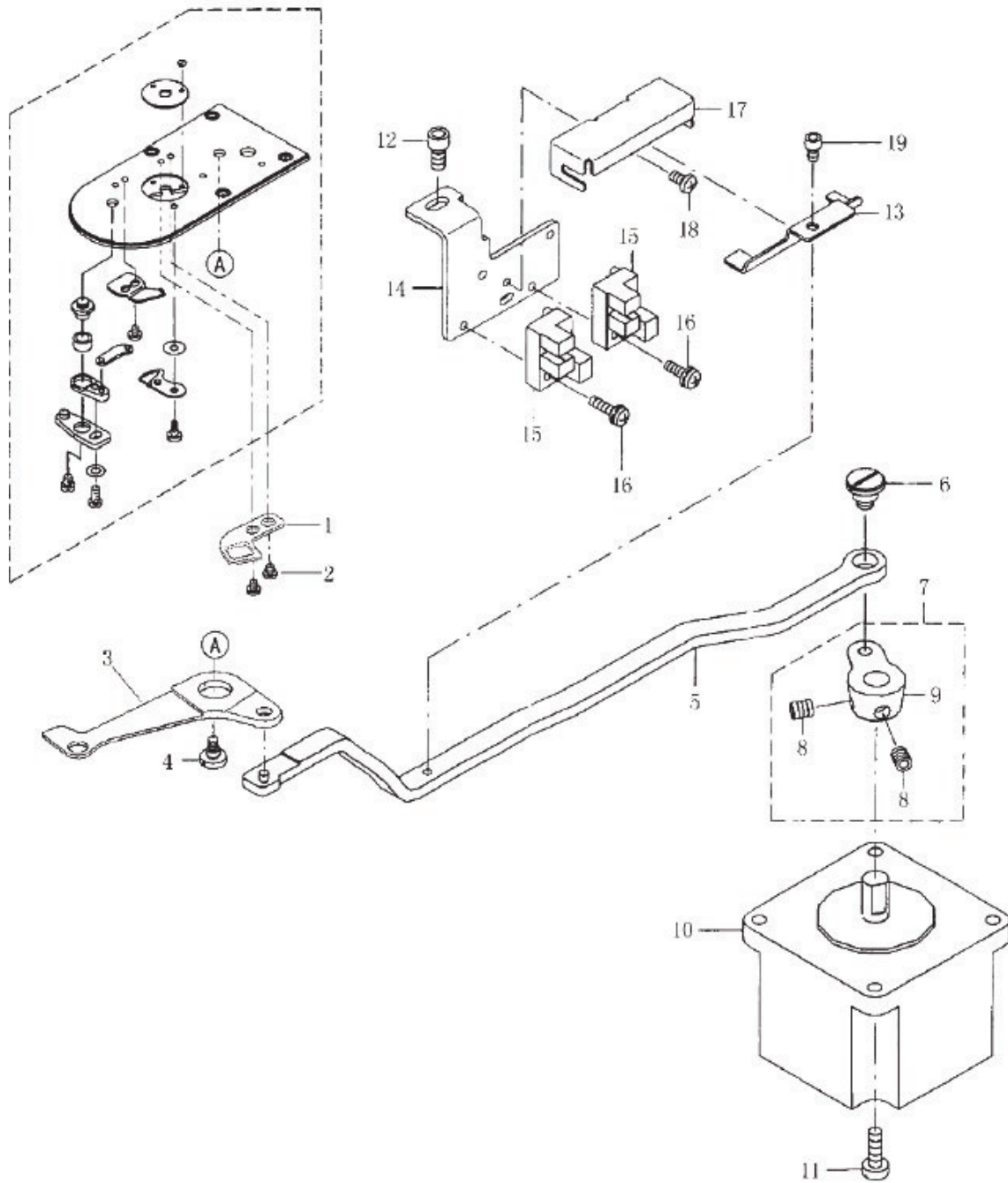
7. Feed mechanism components

Ref. No.	Part No.	Description	QTY
1	10024984	X FEED STEPPING MOTOR	1
2	10000157	SCREW	4
3	10011638	GEAR	1
4	10011232	SCREW	2
5	10024985	Y FEED STEPPING MOTOR	1
6	10011644	SCREW	2
7	10014358	Y-AXIS STEPPER MOTOR MOUNTING PLATE	1
8	10000157	SCREW	4
9	10011640	GEAR	1
10	10011232	SCREW	2
11	10014318	GEAR	1
12	10011573	X HINGE AXIS	1
13	10010678	SCREW	1
14	10011562	SLIDE BLOCK STUD	1
15	10011194	SQUARE BLOCK	1
16	10010678	SCREW	1
17	10014326	BUSHING, REAR	1
18	10011571	BUSHING, REAR	2
19	10011645	LENGTHWISE FEED ARM	1
20	10011642	SCREW	2
21	10011568	SCREW	1
22	10014325	CLOTH FEED SUPPORT PLATE	1
23	10011142	SCREW	3
24	10014321	CLOTH FEED PLATE	1
25	10014322	CLOTH FEED PRESSER PLATE	1
26	10011566	SCREW	6
27	10026623	PHOTO SENSOR	1
28	10010667	SCREW COMPONENTS	1
29	10011592	SENSOR INSTALING BASE	1
30	10011570	SCREW	2
31	10011517	CROSSFEED SENSOR SLIT	1
32	10011142	SCREW	1
33	10026622	PHOTO SINSOR	1
34	10010667	SCREW COMPONENTS	1
35	10011572	SENSOR INSTALLING BASE	1
36	10011570	SCREW	1
37	10011591	LENGTHWISE FEED SENSOR SLIT	1
38	10011590	SCREW	1
39	10014300	SUPPORT PLATE	1
40	10011559	SCREW	2
41	10014357	FEED BRACKET	1
42	10011574	WORK CLAMP FOOT MONTING BASE	7
43	10011561	BALL RETAINER	1
44	10011564	SCREW	1
45	10014124	WASHER	2
46	10011507	LIFTING LEVER SHAFT	1
47	10011646	WASHER	1
48	10011569	SCREW	1
49	10011565	FEED PLATE	1
50	10013582	E-RING	2

7. Feed mechanism components

Ref. No.	Part No.	Description	QTY
51	10011454	LIFTING LEVER, RIGHT	1
52	10011567	LIFTING LEVER, LEFT	1
53	10011558	CLOTH PRESSER SPRING	2
54	10011456	SPRING SUSPENSION	1
55	10011557	WORK CLAMP FOOT FACE PLATE	1
56	10011150	SCREW	5
57	10009906	SCREW	4
58	10011556	FINGER GUARDE	1
59	10011143	SCREW	2
60	10003383	SCREW	2
61	10011508	WORK CLAMP FOOT, LEFT	1
62	10011505	WORK CLAMP FOOT, RIGHT	1
63	10014359	HIDDEN_PLATE	1
64	10011646	WASHER	1
65	10010735	SCREW	1
66	10024705	LEVER DRIVING PLATE ASM.	1
67	10024706	LEVER DRIVING PLATE ASM.	1

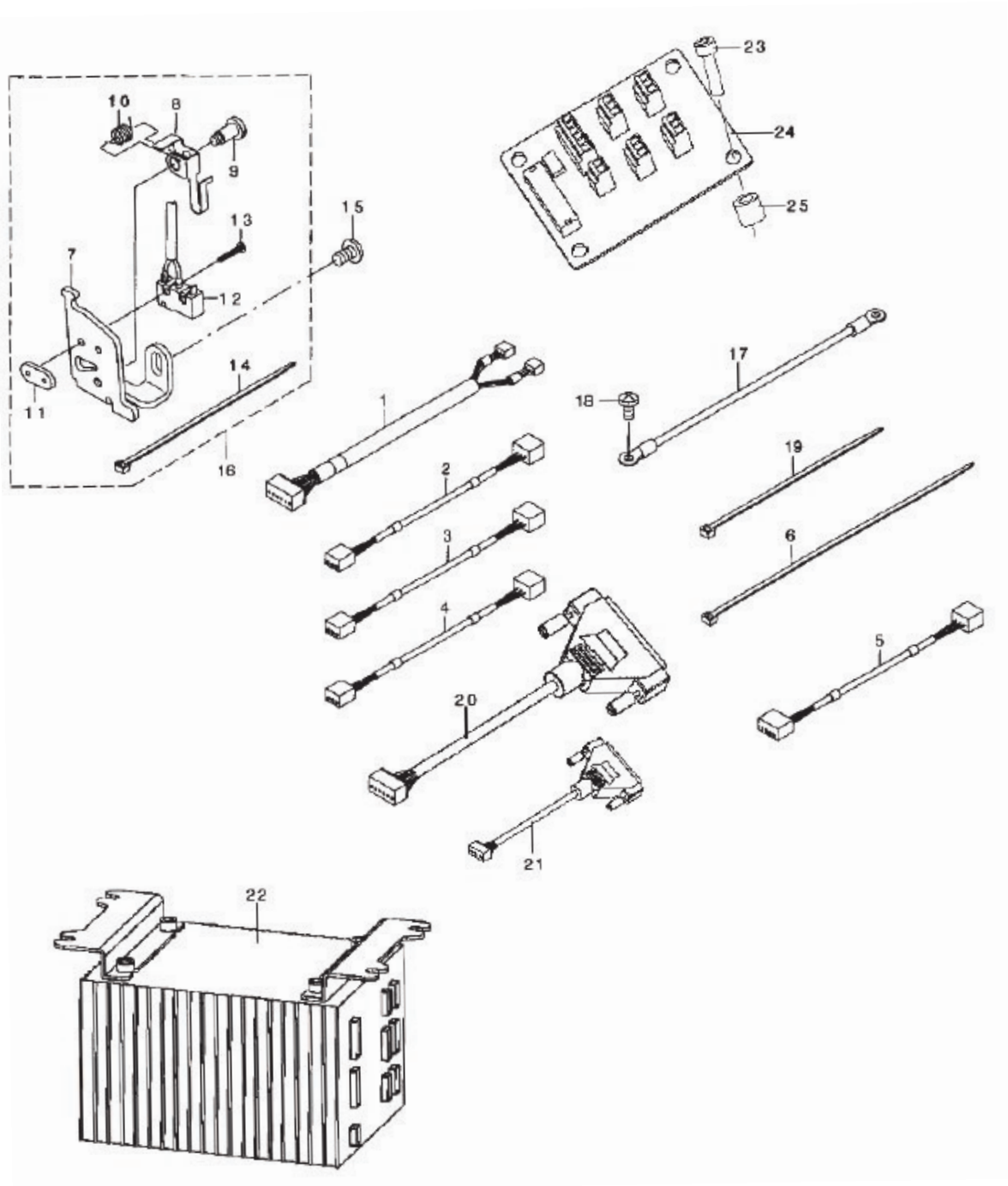
8. TC clamp components



8. TC clamp components

Ref. No.	Part No.	Description	QTY
1	10014313	FIX COLLET	1
2	10014328	SCREW	2
3	10014307	MOVE COLLET	1
4	10014305	SCREW	1
5	10008019	TC CONNECTING LINK	1
6	10014312	SCREW	1
7	20006928	TC DRIVING ARM ASM	1
8	10012162	SCREW	2
9	10014308	TC DRIVING ARM	1
10	10024986	THREAD CLAMP MOTOR	1
11	10012162	SCREW	4
12	10010685	SCREW	1
13	10014311	SENSOR SLIT	1
14	10014309	SENSOR INSTALLING BASE	1
15	10026622	PHOTO SENSOR	2
16	10010667	SCREW	2
17	10014306	DUST SUARD	1
18	10011357	SCREW	1
19	10011143	SCREW	1

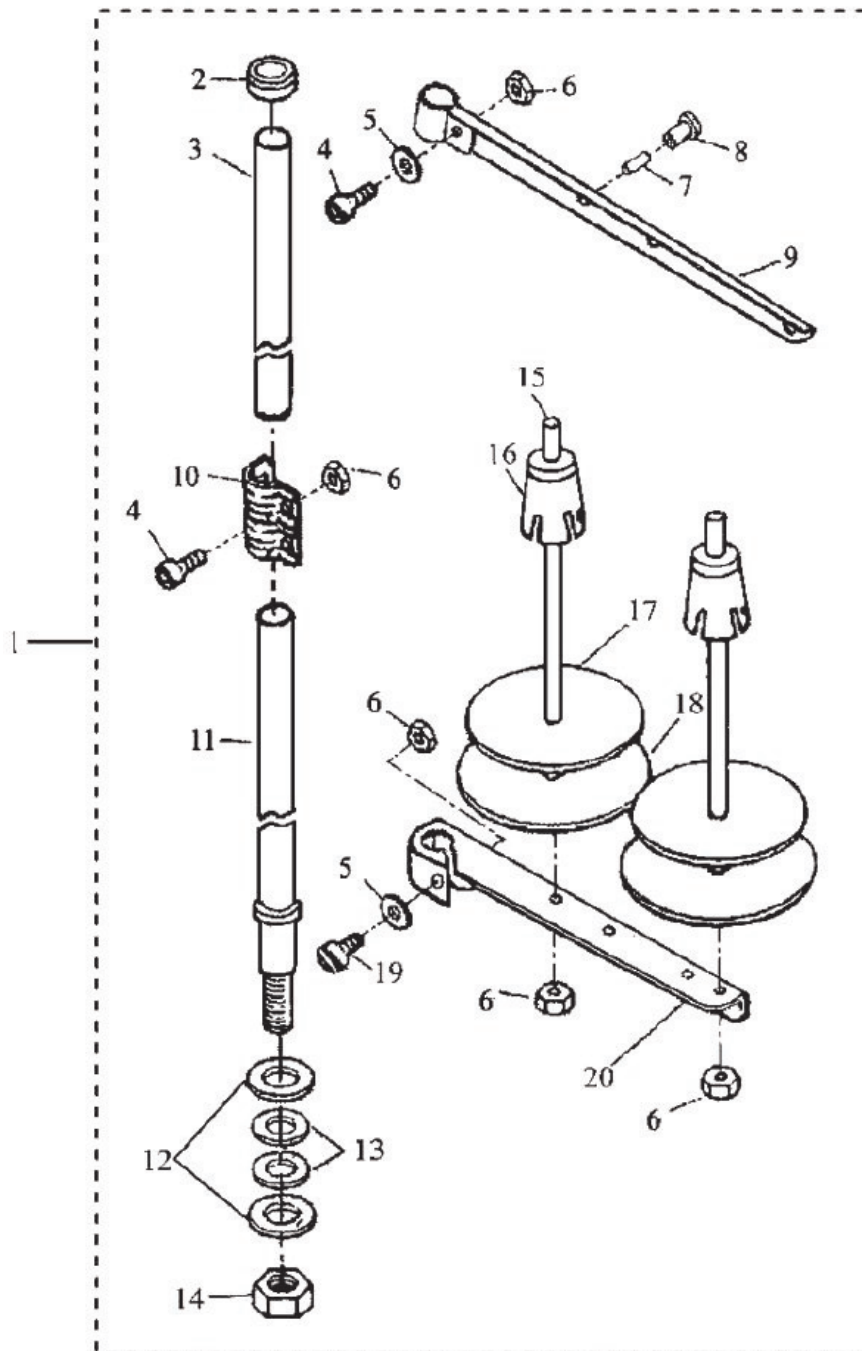
9. Sensor components



9. Sensor components

Ref. No.	Part No.	Description	QTY
1	10024999	TH SENSOR CABLE ASM	1
2	10024997	X SENSOR CABLE ASM	1
3	10024998	Y SENSOR CABLE ASM	1
4	10024995	PF SENSOR CABLE ASM	1
5	10024994	TT SENSOR CABLE ASM	1
6	40000110	BRAND	1
7	10014249	SAFETY SW BASE	1
8	10014253	SAFETY SWITCH ARM	1
9	10012612	SAFETY SW ARM SHAFT	1
10	10008875	SPRING	1
11	10005877	SAFETY SWITCH NUT	1
12	10024996	SAFETY SW CABLE ASM	1
13	10003045	SCREW	2
14	40000363	BRAND	1
15	10009456	SCREW	1
16	20007527	SAFETY SW ASM	1
17	10025000	HEAD GRIUND CABLE A ASM	1
18	10010668	SCREW	2
19	40000363	BRAND	1
20	10024993	THE SIGNAL OF TRANSFER PLANK	1
21	10025009	D TYPE A PLUG	1
22	10024988	THE ELECTRICITY CONTROLS BOX	1
23	10009103	SCREW	4
24	10024991	THE MACHINE HEAD TRANSFERS PLANK	1
25	10024992	THE TRANSFERS PLANK PILLAR	4

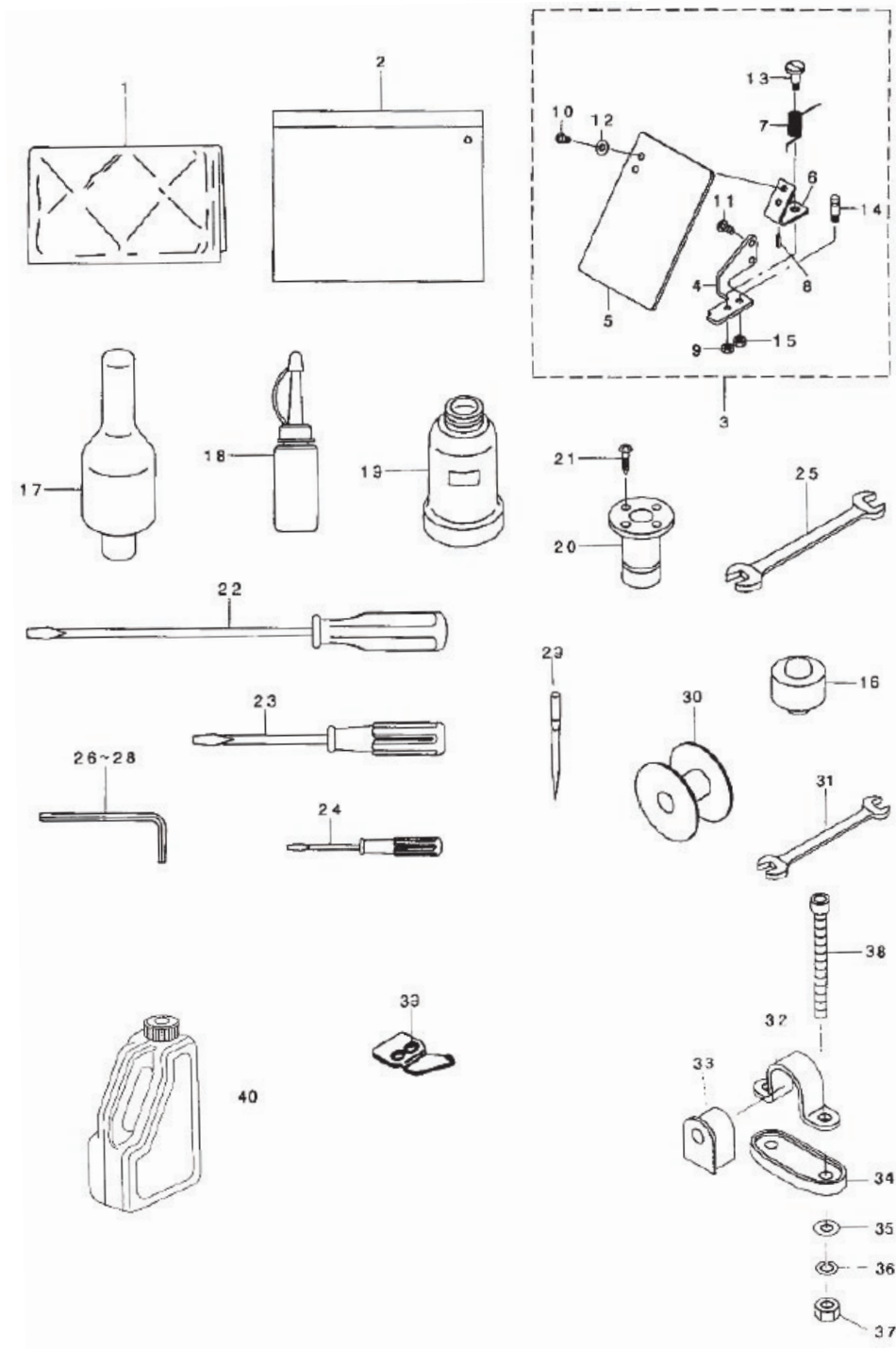
10. Thread stand components



10. Thread stand components

Ref. No.	Part No.	Description	QTY
1	10007130	THREAD STAND ASM	1
2	10004282	COLUMN CAP	1
3	10004293	COLUMN PIPE	1
4	10003301	SCREW	2
5	10003022	WASHER	2
6	10002953	NUT	5
7	10004289	THREAD GUIDE PIPE	2
8	10004285	THREAD GUIDE BUSHING	2
9	10004298	THREAD HANGER	1
10	10004286	COLUMN PIPE CONNECTOR	1
11	10004291	COLUMN PIPE	1
12	10004295	WASHER	2
13	10004290	WASHER	2
14	10002985	NUT	1
15	10004288	SPOOL PIN	2
16	10004287	SPOOL CUSHION	2
17	10004281	SOFT CUSHION OF THREAD PLARE	2
18	10004299	THREAD PLATE	2
19	10003312	SCREW	1
20	10004292	THREAD HANGER	1

11. Accessories part components

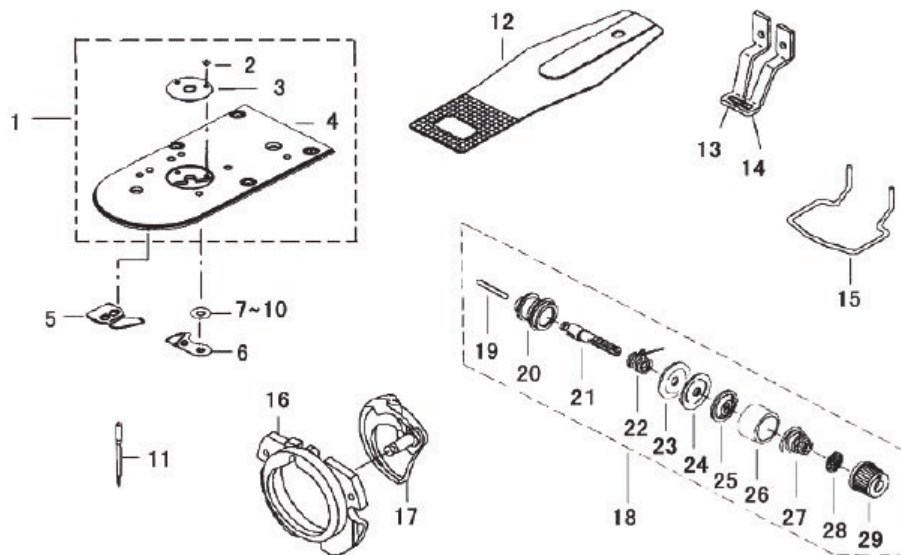


11. Accessories part components

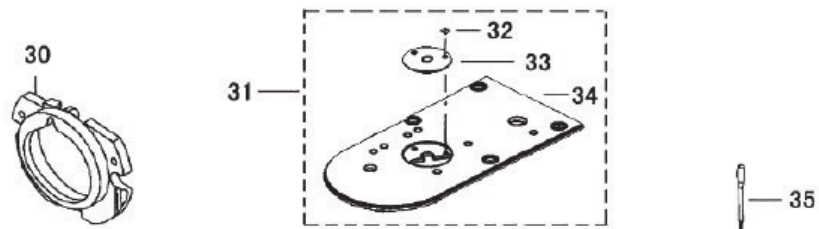
Ref. No.	Part No.	Description	QTY
1	10004724	VINYL COVER	1
2	10004492	ACCESSORY BOX	1
3	20004358	SAFETY PLATE ASM.	1
4	10011632	SAFETY PLATE INSTALLING BASE	1
5	10011636	SAFETY PLATE	1
6	10004725	SAFETY PLATE INSTALLING PLATE	1
7	10011678	SPRING	1
8	10002880	PIN	1
9	10004507	NUT	1
10	10011570	SCREW	2
11	10011570	SCREW	2
12	10011680	WASHER	2
13	10011677	HINGE SCREW	1
14	10011633	PIN	1
15	10011682	NUT	1
16	10014250	FRAME SUPPORT RUBBER	2
17	10011749	HEAD SUPPORT BAR	1
18	10005356	OILER	1
19	10011681	OIL CAN	1
20	10011683	OIL MANAGEMENT	1
21	10003157	SCREW	4
22	10010994	SCREW DRIVER LARGE	1
23	10010995	SCREW DRIVER MIDDLE	1
24	10013185	SCREW DRIVER SMALL	1
25	10003368	WRENCH	1
26	10009685	HEXAGONAL WRENCH SMALL	1
27	10009687	HEXAGONAL WRENCH LARGE	1
28	10009689	HEXAGONAL SPANNER	1
29	10023286	NEEDLE	1
30	10004592	BOBBIN	1
31	10003369	WRENCH	1
32	10011160	BED HINGE	2
33	10011137	HINGE RUBBER	2
34	10014251	BED HINGE RUBBER	2
35	10003076	WASHER	4
36	10011747	WASHER	4
37	10003084	NUT	4
38	10011147	SCREW	4
39	10011501	FIXING KNIFE	1
40	10004455	OIL BOX	1

12. Optional parts

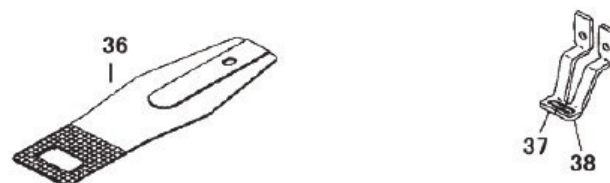
HEAVY MATERIAL (H)



UNDERWARE (F) & KNITTING (M)



KNITTING (M)



12. Optional parts

Ref. No.	Part No.	Description	QTY
1	10024626	NEEDLE PLATE ASM.	1
2	10011509	SCREW	2
3	10004727	NEEDLE HOLE GUIDE	1
4	10008027	NEEDLE PLATE	1
5	10011748	FIXING KNIFE	1
6	10011694	MOVING KNIFE ASM.	1
7	10007183	WASHER	1
8	10007361	WASHER	1
9	10007362	WASHER	1
10	10007363	WASHER	1
11	10004897	NEEDLE DPX17 (135x17)	1
12	10011751	FEED PLATE	1
13	10011687	WORK CLAMP FOOT,LEFT	1
14	10011691	WORK CLAMP FOOT,RIGHT	1
15	10011695	FINGER GUARDE	1
16	10011750	SHUTTLE BACE RING ASM.	1
17	10003834	INNER HOOK	1
18	10024627	SECOND THREAD TENSION ASM.	1
19	10008026	TENSION RELEASE PIN	1
20	10004631	THREAD TENSION ROD,LARGE	1
21	10004612	SCREW	1
22	10004730	SPRING	1
23	10004393	THREAD TENSION DISK	1
24	10004393	THREAD TENSION DISK	1
25	10004625	THREAD TENSION DISK PRESSER	1
26	10004598	THREAD TENSION DISK PRESSER	1
27	10011827	SPRING	1
28	10004633	ROTATING STOPPER	1
29	10004783	THREAD TENSION NUT	1
30	10011760	SHUTTLE BACE RING ASM.	1
31	10026087	NEEDLE PLATE ASM.	1
32	10011509	SCREW	2
33	10011757	NEEDLE HOLE GUIDE	1
34	10008027	NEEDLE PLATE	1
35	10004857	NEEDLE DPX5 (135x5)	1
36	10011755	FEED PLATE	1
37	10011758	WORK CLAMP FOOT,LEFT	1
38	10011759	WORK CLAMP FOOT,RIGHT	1



Dealer:

--