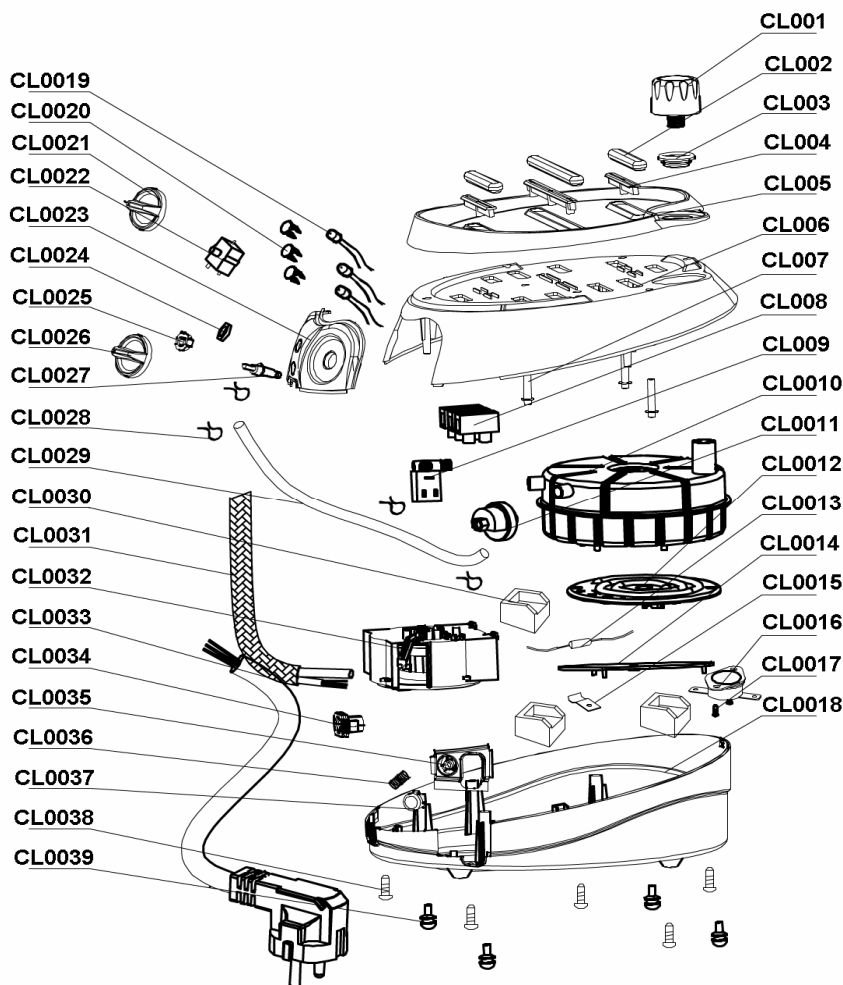
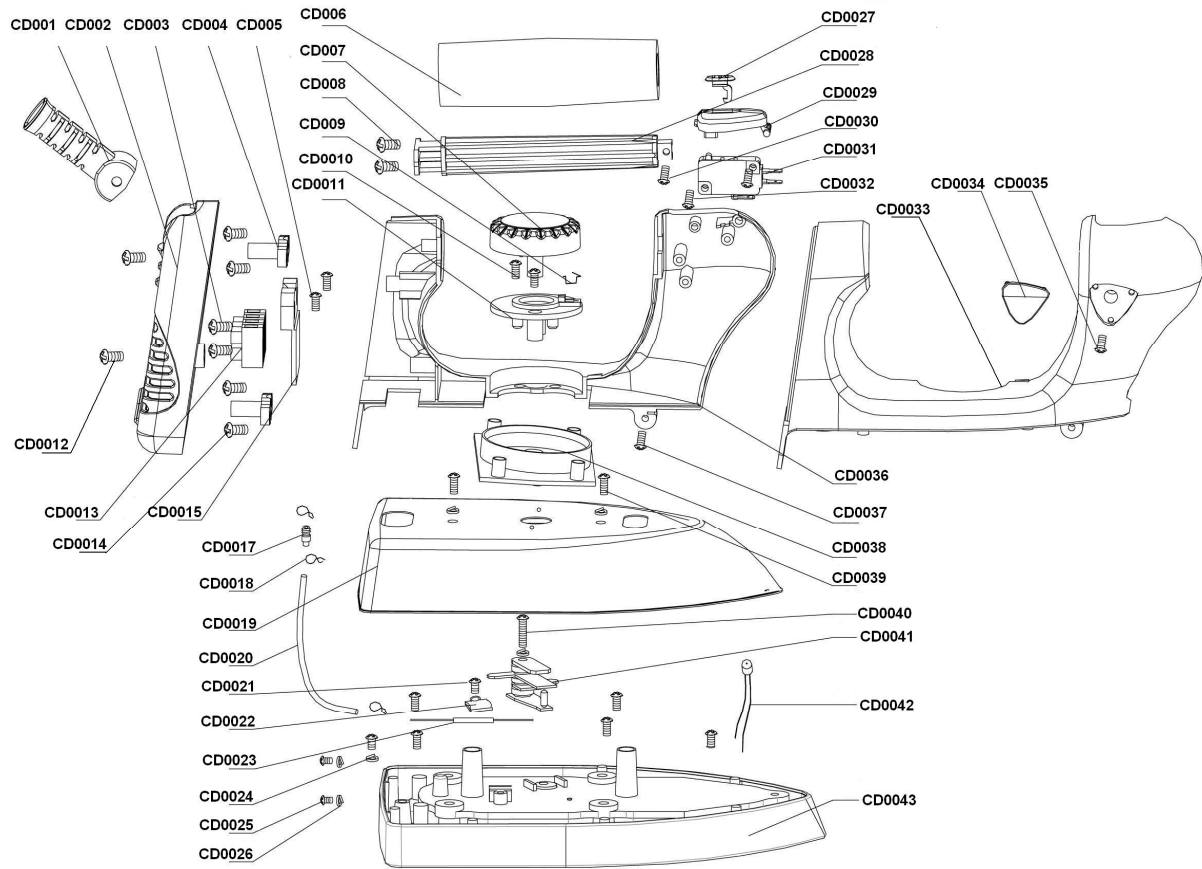


# TEXI CLASSIC



Code	Quant.	Name	Code	Quant.	Name
CL001	1	safety valve	CL0021	1	steam regulator valve(left)
CL002	3	therm-isolated cushion	CL0022	1	tumbler switch
CL003	1	silicon cushion of water inlet	CL0023	1	control panel
CL004	3	therm-isolated sheath	CL0024	1	M12 nut
CL005	1	therm-isolated panel	CL0025	1	valve set
CL006	1	top cover	CL0026	1	steam regulator knob
CL007	3	therm-isolated lining	CL0027	1	steam regulator valve(right)
CL008	1	terminal	CL0028	3	spring of tube
CL009	1	magnetic valve	CL0029	1	tube
CL0010	1	boiler	CL0030	1	silicon cushion of boiler
CL0011	1	pressure switch	CL0031	1	monotube
CL0012	1	heating element	CL0032	1	reel componets
CL0013	1	thermal fuse	CL0033	1	power cord
CL0014	1	therm-isolated board	CL0034	1	line ball set
CL0015	1	fixer of fuse	CL0035	1	insert block for reel
CL0016	1	thermostat	CL0036	1	spring
CL0017	2	M3x6 screw	CL0037	1	reel button
CL0018	1	base cover	CL0038	6	ST4x14 screw
CL0019	3	indicator light	CL0039	4	slip proof cushion
CL0020	3	indicator light cover			

# TEXI CD IRON



Code	Quant.	Name	Code	Quant.	Name
CD001	1	Wire jacket	CD0023	1	Thermal fuse
CD002	1	Back cover	CD0024	2	Cushion
CD003	2	ST3*20 screw	CD0025	2	M3*5 screw
CD004	2	Line ball fixer	CD0026	2	Cushion
CD005	2	M4*8 screw	CD0027	1	Switch of lock board
CD006	1	Handle	CD0028	1	Axes of handle
CD007	1	Knob of thermostat	CD0029	1	Button
CD008	2	ST3*10 screw	CD0030	1	ST3*20 screw
CD009	1	Phonation spring	CD0031	1	Micro-switch
CD0010	2	M4*14 screw	CD0032	2	ST3*20 screw
CD0011	1	Base of Knob	CD0033	1	Right handle
CD0012	2	ST4*12 screw	CD0034	1	Cover of handle
CD0013	1	Terminal	CD0035	1	STc*14 screw
CD0014	2	ST4*12 screw	CD0036	1	Left Handle
CD0015	1	Base of terminal	CD0037	1	ST3*16 screw
CD0017	1	Connector of tube	CD0038	1	Therm-isolate panel of iron
CD0018	3	Spring of tube	CD0039	2	M4*8 screw
CD0019	1	Cover of therm-isolate	CD0040	1	M4*24 screw
CD0020	1	Tube	CD0041	1	Thermostat
CD0021	2	M4*6 screw	CD0042	1	Inner wire
CD0022	1	Fixed board of thermostat	CD0043	1	Solplate