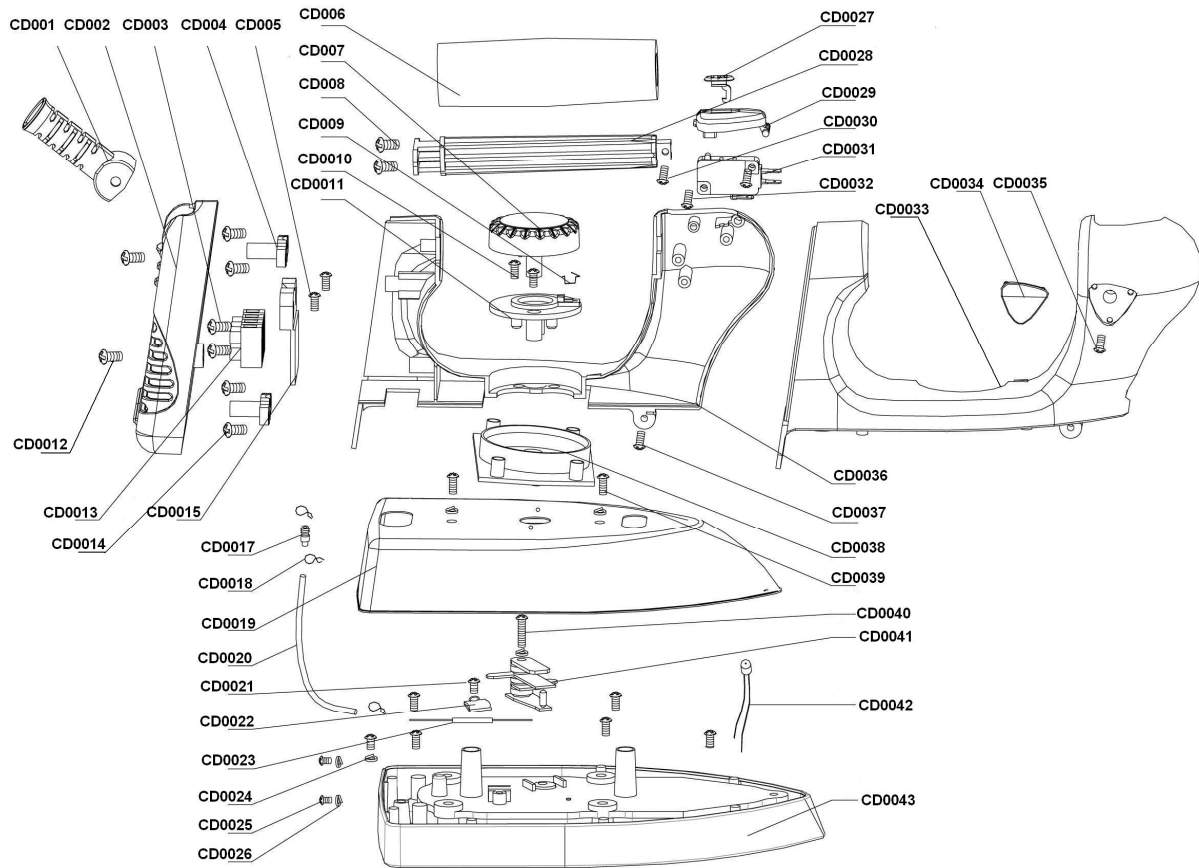
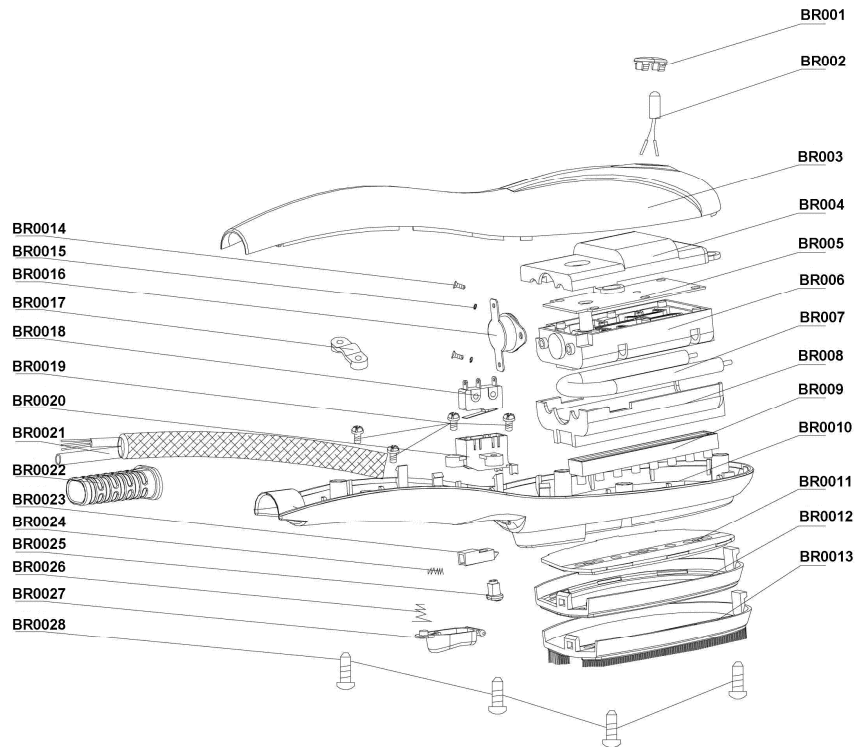


Code	Quant.	Name
DU001	1	cover for add water
DU002	1	top cover of water tank
DU003	1	floating ball
DU004	1	screw ST3x8
DU005	1	bracket of float ball
DU006	1	base cover of water tank
DU007	1	central spring on water tank
DU008	2	vertebral shape spring
DU009	2	sealed vertebral for water tank
DU0010	2	sealed ring
DU0011	2	platen for central spring
DU0012	2	sealed ring for platen
DU0013	1	sealed platen 1
DU0014	1	sealed platen 2
DU0015	6	screw ST3x8
DU0016	1	button on water tank
DU0017	1	spring for button
DU0018	1	lock catch on water tank
DU0019	1	bracket for lock catch
DU0020	2	screw ST3x10
DU0021	1	normal open thermostat 155
DU0022	1	normal closed thermostat 160
DU0023	1	normal closed thermostat 80
DU0024	6	ø3 cushion
DU0025	6	screw M3x6
DU0026	1	platen on thermal link
DU0027	1	ø4 cushion
DU0028	1	screw M4x6
DU0029	1	check valve
DU0030	1	three links
DU0031	1	bracket for control panel
DU0032	1	screw ST3x16
DU0033	1	inlet water board
DU0034	1	terminal
DU0035	4	non-slip mat
DU0036	1	screw ST3x10
DU0037	1	platen for supply cord
DU0038	1	cover for outfall
DU0039	1	screw ST3x8
DU0040	9	screw ST3x16
DU0041	6	insulation cushion
DU0042	1	insulation board
DU0043	1	top cover
DU0044	1	water level switch
DU0045	7	screw ST4x10
DU0046	2	power switch
DU0047	2	indicator lamp
DU0048	1	control panel
DU0049	1	safety valve
DU0050	1	boiler
DU0051	1	pressure switch
DU0052	1	magnet valve
DU0053	1	M4X6 1 /ø4 cushion 1/ ø4 plum cushion
DU0054	3	screw ST4x28
DU0055	3	fixed plain pad on boiler
DU0056	3	welding piece
DU0057	3	insulation ring on boiler
DU0058	5	insulation cushion on boiler
DU0059	1	pump
DU0060	2	fixed rubber for pump
DU0061	4	screw ST4x10
DU0062	1	bracket for pump
DU0063	1	base cover
DU0064	6	screw ST3x8
DU0065	1	platen for socket
DU0066	1	multi socket
DU0067	1	sealed ring for steam tube joint
DU0068	1	plug core
DU0069	4	copper needle on plug
DU0070	1	tube joint of plug
DU0071	1	enclosure of plug
DU0072	6	screw ST3x8
DU0073	1	clamp
DU0074	1	wire jacket
DU0075	1	screw ST4x8
DU0076	1	nut on outfall
DU0077	1	thermal link 240



Code	Quant.	Name	Code	Quant.	Name
CD001	1	Wire jacket	CD0023	1	Thermal fuse
CD002	1	Back cover	CD0024	2	Cushion
CD003	2	ST3*20 screw	CD0025	2	M3*5 screw
CD004	2	Line ball fixer	CD0026	2	Cushion
CD005	2	M4*8 screw	CD0027	1	Switch of lock board
CD006	1	Handle	CD0028	1	Axes of handle
CD007	1	Knob of thermostat	CD0029	1	Button
CD008	2	ST3*10 screw	CD0030	1	ST3*20 screw
CD009	1	Phonation spring	CD0031	1	Micro-switch
CD0010	2	M4*14 screw	CD0032	2	ST3*20 screw
CD0011	1	Base of Knob	CD0033	1	Right handle
CD0012	2	ST4*12 screw	CD0034	1	Cover of handle
CD0013	1	Terminal	CD0035	1	STc*14 screw
CD0014	2	ST4*12 screw	CD0036	1	Left handle
CD0015	1	Base of terminal	CD0037	1	ST3*16 screw
CD0017	1	Connector of tube	CD0038	1	Therm-isolate panel of iron
CD0018	3	Spring of tube	CD0039	2	M4*8 screw
CD0019	1	Cover of therm-isolate	CD0040	1	M4*24 screw
CD0020	1	Tube	CD0041	1	Thermostat
CD0021	2	M4*6 screw	CD0042	1	Inner wire
CD0022	1	Fixed board of thermostat	CD0043	1	Solplate



Code	Quant.	Name	Code	Quant.	Name
BR001	1	Indicator light cover	BR0015	2	M3 cushion
BR002	1	Indicator light	BR0016	1	Thermostat
BR003	1	Top cover of steam brush	BR0017	1	Line ball set
BR004	1	Top cover of heating element	BR0018	1	Switch
BR005	1	Heating element board	BR0019	4	Screw ST3x10
BR006	1	Heating element	BR0020	1	Switch rest
BR007	1	Heating pipe	BR0021	1	Monotube
BR008	1	Base cover of heating element	BR0022	1	Line protection tube
BR009	1	Cushion of heating element	BR0023	1	Lock
BR0010	1	Bottom cover of steam brush	BR0024	1	M2 spring
BR0011	1	Boiloff cover	BR0025	1	Push in pole
BR0012	1	Base plate	BR0026	1	M4 spring
BR0013	1	Steam brush	BR0027	1	Button
BR0014	2	Screw ST3*6	BR0028	4	Screw ST4x14