

PARTS CATALOGUE FOR

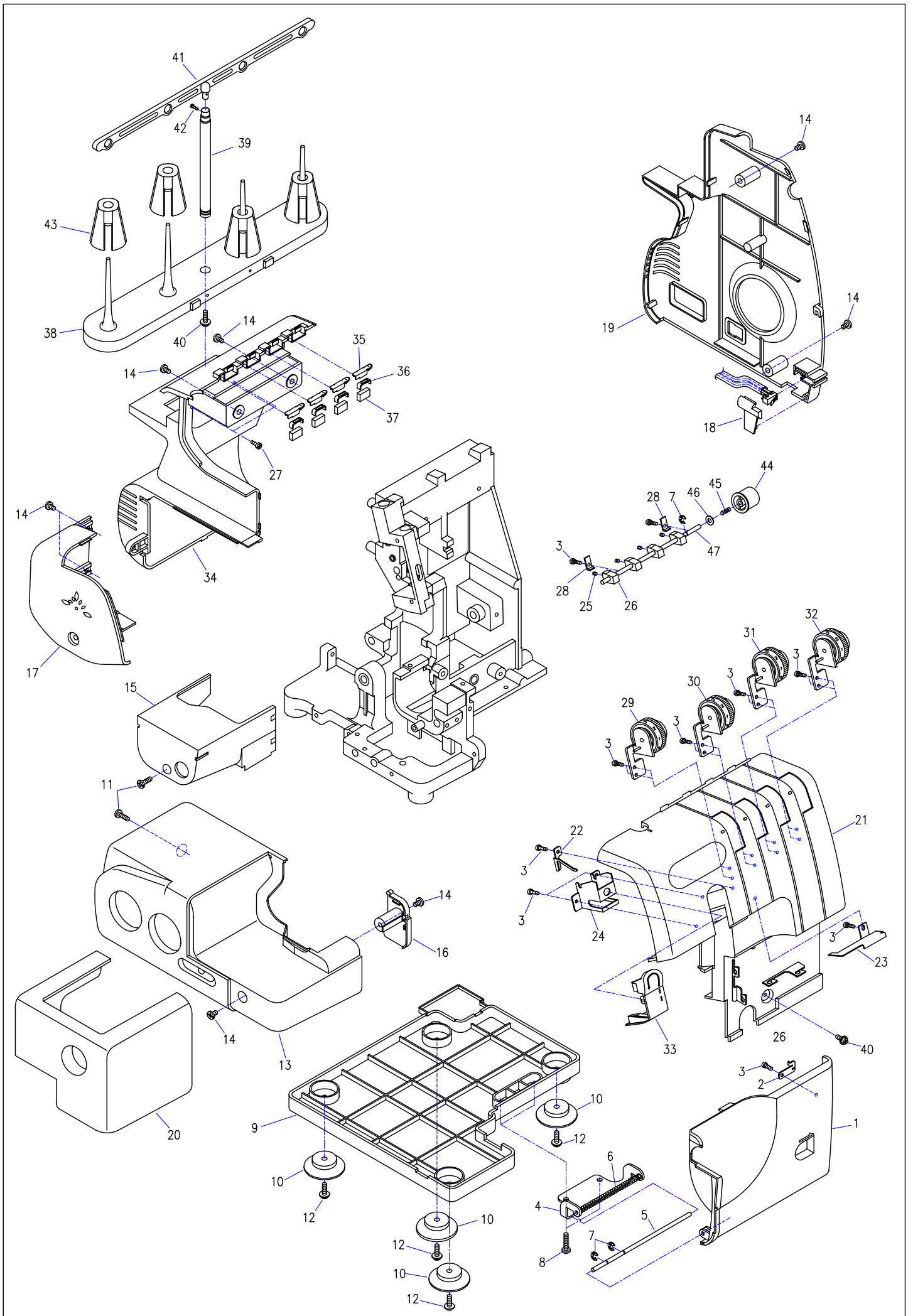
Model Pierrot

# CONTENTS

1. PRINCIPAL PARTS.....	2
2. NEEDLE BAR, FEED BAR AND PRESSER HOLDER.....	4
3. KNIFE AND LOOPER.....	6
4. LAMP, MOTOR AND ACCESSORY.....	8

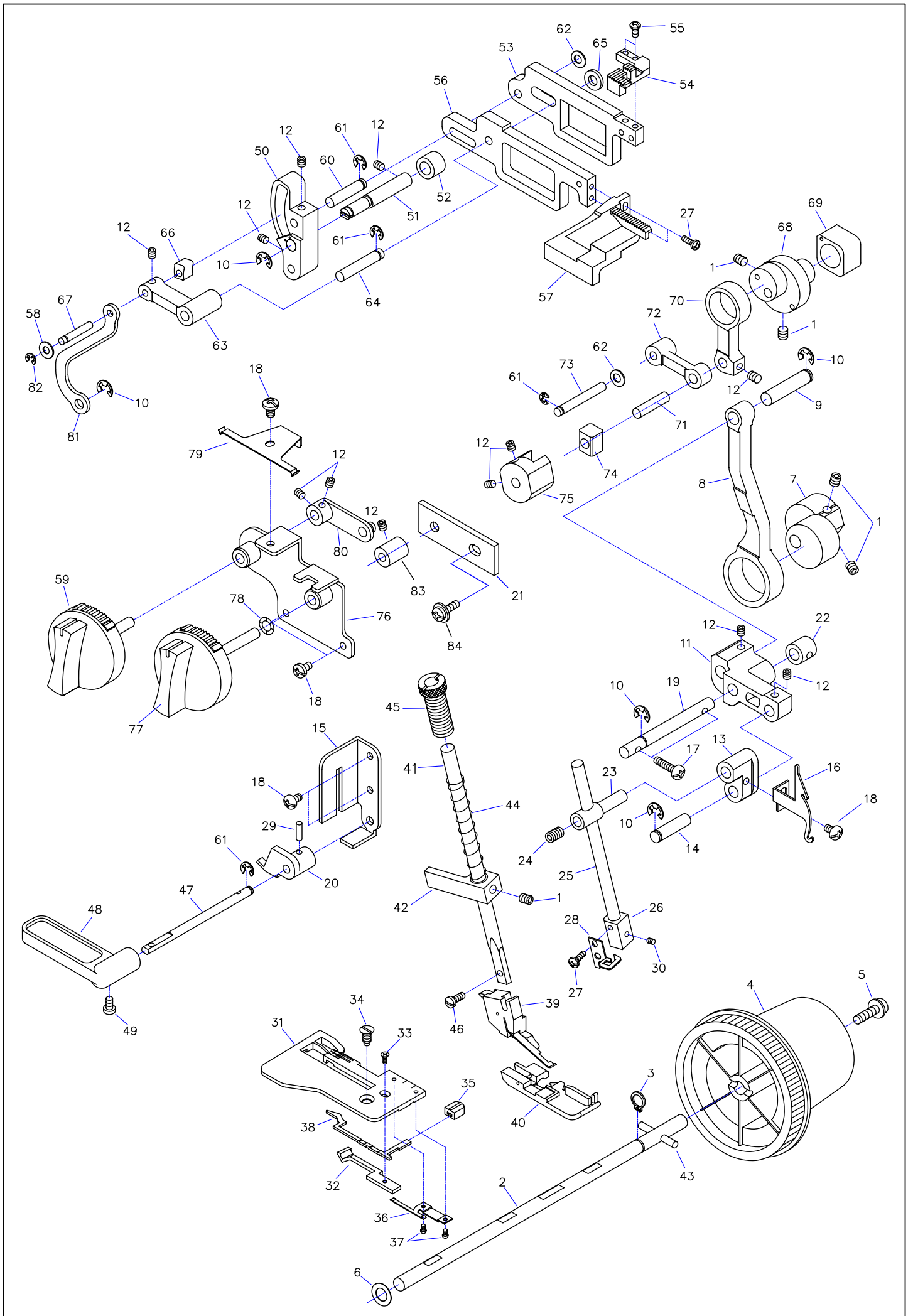
## (1) PRINCIPAL PARTS

No.	PARTS No.	PARTS NAME	No.	PARTS No.	PARTS NAME
1	TD336	Front cover(texti pierrot)			
2	TF117	Front cover hook			
3	TG117	Set screw			
4	TF118	Front cover hinge plate			
5	TC124	Front cover guide shaft			
6	TJ103	Front cover spring			
7	TH101	Stop ring			
8	TG136	Set screw			
9	TD131	Oil pan			
10	TD132	Cushion A			
11	TG110	Set screw			
12	TG113	Set screw			
13	TD337	Cloth plate cover			
14	TG108	Set screw			
15	TD121-6	Arm cover			
16	TD120	Cloth plate side cover			
17	TD117-6	Lamp cover			
18	TD133	Safty limited switch cover			
19	TD109-6	Belt cover			
20	TD122-5	Sub table assembly			
21	TD101	Panel assembly			
22	TF107	Needle thread guide B			
23	TF106	Needle thread guide A			
24	TF105	Needle thread take-up guide			
25	TG132	Set screw			
26	TE120	Thread tension releaser guide			
27	TG117	Set screw			
28	TF194	Set plate			
29	TDA103-1	Thread tension dial (yellow)			
30	TDA103-2	Thread tension dial (red)			
31	TDA103-3	Thread tension dial (green)			
32	TDA103-4	Thread tension dial (blue)			
33	TD102	Thread take-up cover			
34	TD111	Rear cover assembly			
35	TF108	Thread rectifier			
36	TJ128	Thread rectifier D1			
37	TP107	Thread rectifier cushion			
38	TD112	Spool stand base			
39	TC125	Spool stand shaft			
40	TG112	Set screw			
41	TD114-2	Thread guide 4			
42	TG115	Set screw			
43	TD113	Spool cushion			
44	TD110-2	Thread tension releaser			
45	TJ107	Spring			
46	TH103	Washer			
47	TC132	Thread tension releaser shaft			



## (2) NEEDLE BAR, FEED BAR AND PRESSER HOLDER

No.	PARTS No.	PARTS NAME	No.	PARTS No.	PARTS NAME
1	TG119	Set screw M5*5	51	TC113	Feed bar lever shaft
2	TC101	Driving shaft assembly	52	TC127	Collar
3	TH105	Stop ring	53	TE123	Main feed bar
4	TD108-3	Timing pulley	54	TB104	Main feed dog
5	TG114	Set screw M5*14	55	TG104	Set screw M3*6
6	TI112	Washer	56	TE124	Differential feed bar
7	TE110	Needle bar eccentric wheel	57	TG112	Set screw M4x12
8	TE109	Needle bar rod	58	TB122	Differential feed dog
9	TC110	Rod shaft	59	TD140C	Differential control dial
10	TH103	Stop ring	60	TC115	Overlooper shaft guide shaft
11	TE108	Needle bar driving lever	61	TH102	Stop ring
12	TG118	Set screw M4*4	62	TI104	Washer
13	TE107	Needle bar connecting link	63	TE129	Differential adjusting link
14	TC111	Needle bar rod shaft B	64	TC114	Horizontal lever shaft
15	TF119	Presser bar guide plate	65	TI106	Washer
16	TF166	Thread take-up	66	TE128	Differential feed adjusting block
17	TG133	Set screw M4*15	67	TC118	Differential adjusting link shaft
18	TG108	Set screw M4*4	68	TE125	Feed eccentric wheel
19	TC109	Needle bar shaft	69	TE126	Vertical feed block
20	TD205	Presser lifter lever	70	TE131	Feed link
21	TF198	Set plate	71	TC143	Feed link shaft
22	TC126	Collar	72	TE144	Feed bar link
23	TC108	Needle bar connecting stud	73	TC115	Overlooper shaft guide shaft
24	TG120	Set screw M6*6	74	TE133	Feed adjusting block
25	TC107	Needle bar	75	TE132	Feed adjusting lever
26	TE142	Needle clamp	76	TF151	Feed base
27	TG106	Set screw M3*8	77	TD140B	Feed dial
28	TF150	Needle bar thread guide	78	TI110	Wave washer
29	TG131	Spring pin 2.5*10	79	TF145	Dial plate spring
30	TG124	Set screw M3*3	80	TF144	Differential adjusting lever assembly
31	TB103	Needle plate	81	TF146	Differential adjusting link
32	TF132	Fixed needle guard	82	TH101	Stop ring
33	TG102	Set screw M2*5			
34	TG122	Set screw SM4.37			
35	TF133-1	Stitch finger lever			
36	TF134	Stitch presser plate			
37	TG101	Set screw M2*3			
38	TF133	Stitch tongue			
39	TB101	Presser holder assembly			
40	TB102	Presser foot assembly			
41	TC112	Presser bar			
42	TE111	Presser bar guide bracket			
43	TG129	Spring pin 4*25			
44	TJ111	Presser bar spring			
45	TC134	Presser adjusting screw			
46	TG121	Set screw SM3.57*8			
47	TC145	Presser lifter shaft			
48	TI103	Washer			
49	TE148	Stop collar			
50	TE127	Feed bar lever			



### (3) KNIFE AND LOOPER

No.	PARTS No.	PARTS NAME	No.	PARTS No.	PARTS NAME
1	TE134	Upper knife eccentric wheel	51	TF140	Looper thread take-up B
2	TG119	Set screw	52	TG112	Set screw
3	TE135	Upper knife link A	53	TK101	Overlooper
4	TC121	Upper knife link shaft	54	TE119	Overlooper shaft guide
5	TH102	Stop ring	55	TC105	Overlooper shaft guide shaft
6	TE136	Upper knife arm assembly B	56	TH105	Washer
7	TG118	Set screw	57	TC104	Overlooper shaft
8	TJ113	Connect pin spring	58	TC103	Overlooper lower shaft
9	TH114	Washer	59	TF162	Underlooper thread guide assembly
10	TF158	Cancel plate assembly	60	TC106	UL lever shaft
11	TC127	Collar	61	TE117	Underlooper driving lever
12	TG128	Spring pin	62	TE122	Underlooper rod eccentric wheel
13	TE137	Upper knife arm assembly	63	TK102	Underlooper
14	TF157	Connect pin	64	TG104	Set screw
15	TD143	Blade button	65	TF141	Movable needle guard
16	TG123	Set screw	66	TL101	Underlooper lever
17	TF156	Lever plate spring			
18	TG108	Set screw			
19	TC119	Upper knife fulcrum shaft			
20	TH104	Stop ring			
21	TJ110	Upper knife holder spring			
22	TC122	Upper knife arm shaft			
23	TH106	Washer			
24	TE139	Upper blade block			
25	TE138	Upper knife holder			
26	TF123	Upper blade			
27	TG109	Set screw			
28	TF122	Lower blade			
29	TB107	Lower blade holder			
30	TF125	Upper knife presser plate			
31	TF124	Upper knife holder guide			
32	TF126	Upper blade holder plate spring			
33	TC129	Upper knife holder guide shaft			
34	TC123	Lower blade guide shaft			
35	TG130	Blade control shaft			
36	TJ105	Lower blade spring			
37	TF127	Dial plate			
38	TD129	Blade control dial guide B			
39	TD128	Blade control dial guide A			
40	TD127	Stitch width lever			
41	TG117	Set screw			
42	TF128	Plate spring			
43	TG105	Set screw			
44	TEA112	Looper rod assembly			
45	TE116	Overlooper rod eccentric wheel			
46	TC131	Looper rod stud shaft			
47	TE121	Overlooper driving lever			
48	TE118	Overlooper shaft lever			
49	TC102	OL lever shaft			
50	TF139	Looper thread take-up A			

