

Parts book
Post-bed lockstitch
machine

Post

 ***texi***®

Contents

Housing sections

Needle head parts

Arm parts

Bedplate parts

Hook post, right

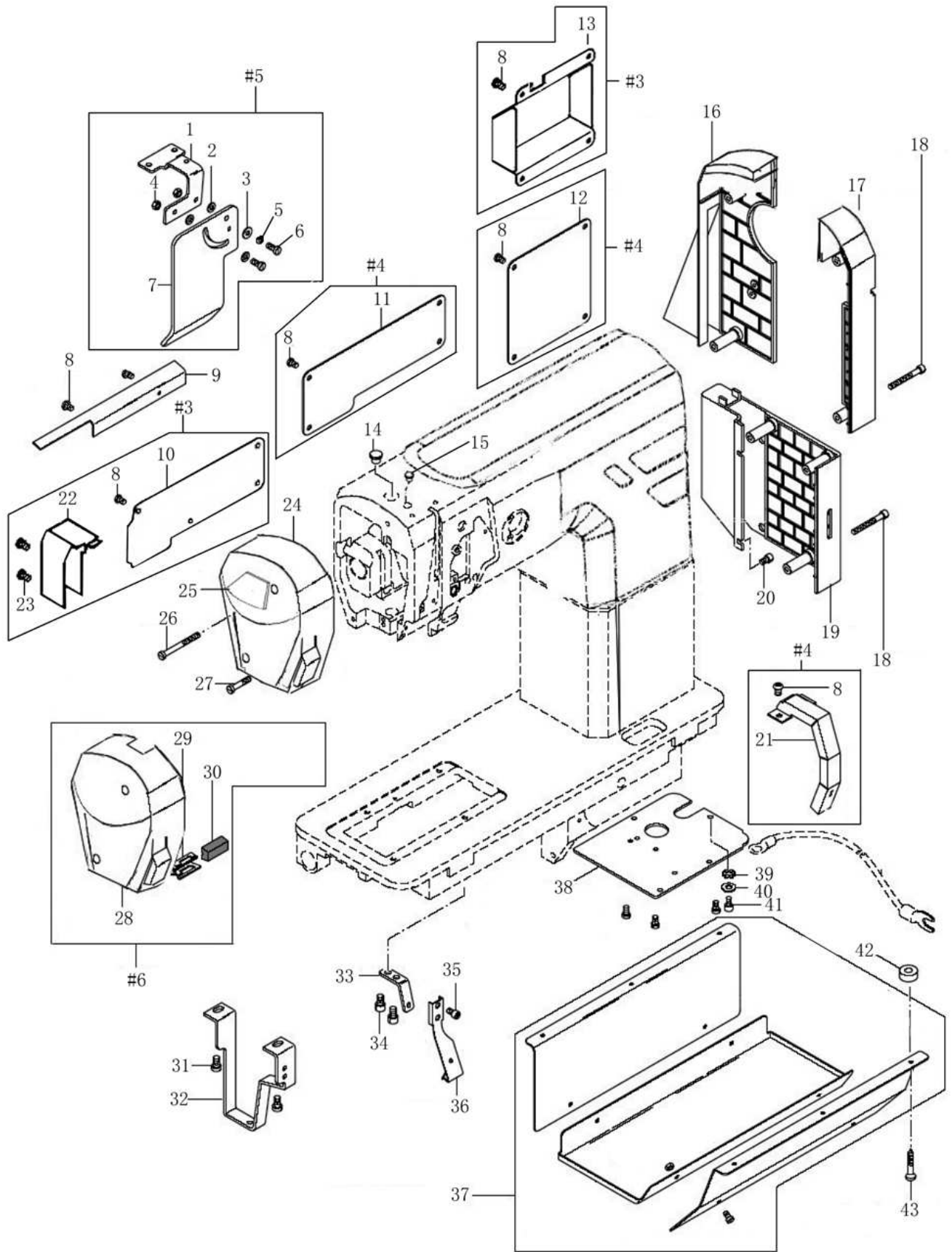
Feed wheel post

Knee lifter parts

Reel stands

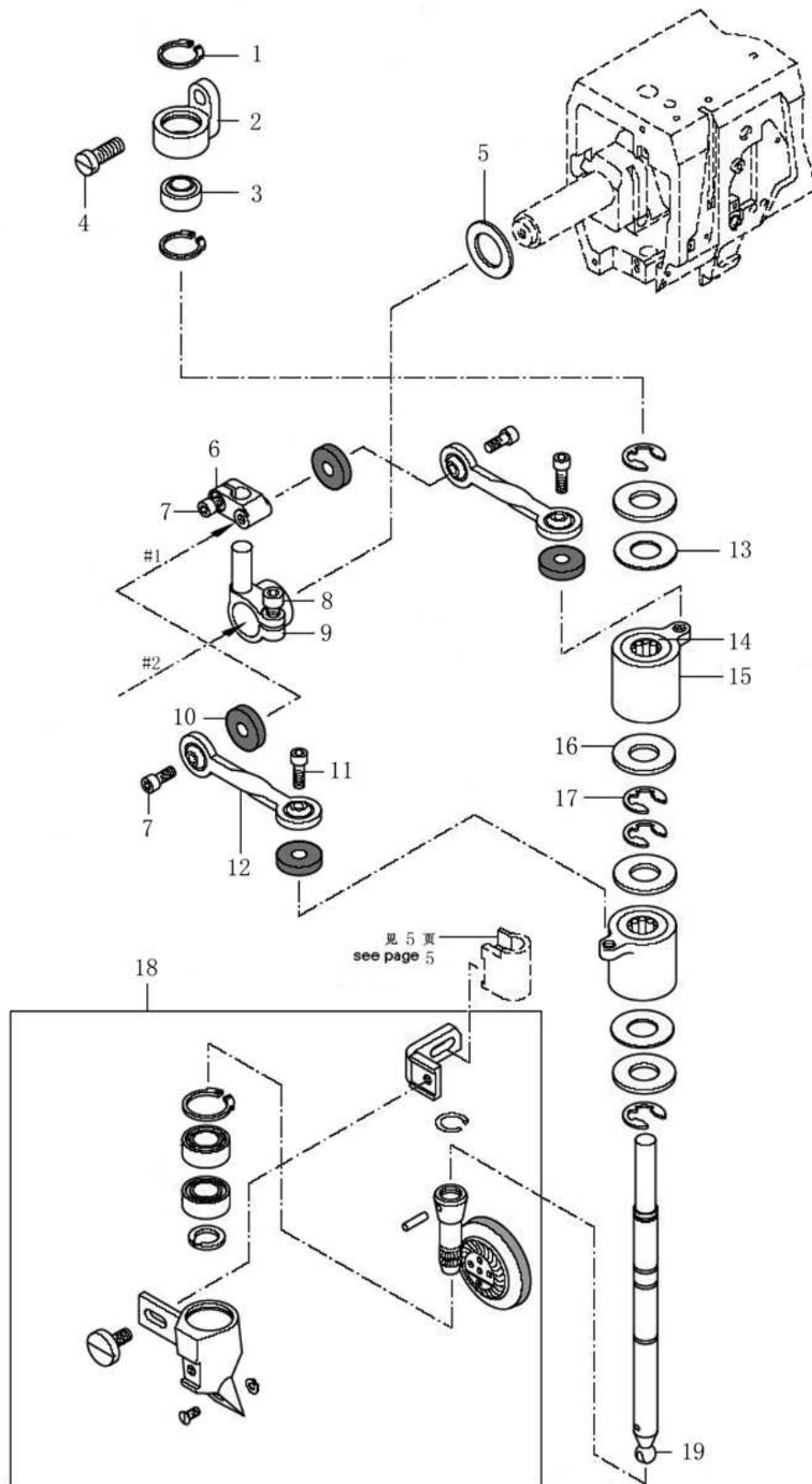
Parts for table top

Housing sections



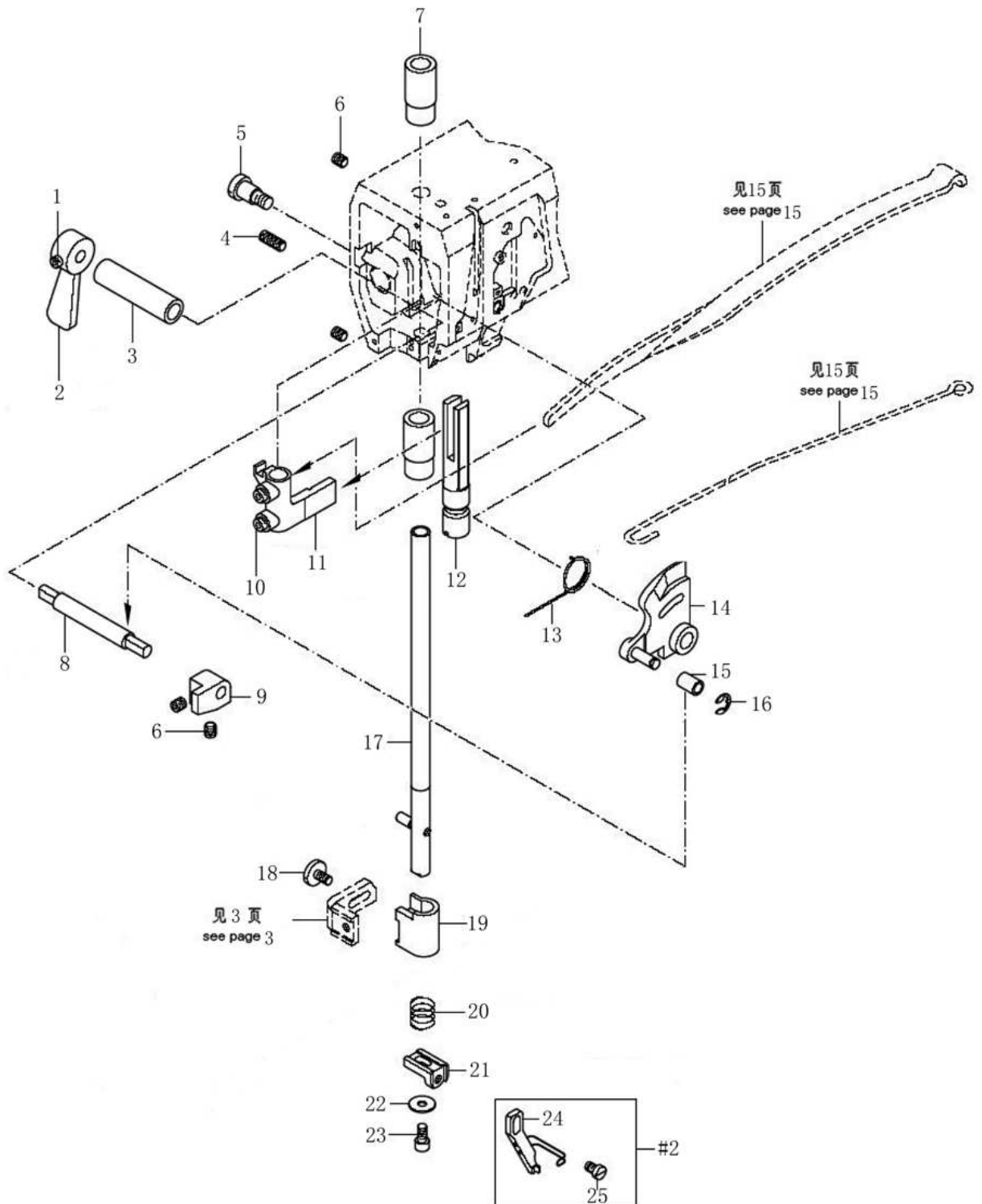
No.	Pars No.	Description	Number
1	20003964	protection apron bracket	1
2	10005016	Washer	3
3	10001413	protection apron Screw washer	1
4	10003021	nut	2
5	10003235	Washer	1
6	10005271	Screw(M5x12)	2
7	10001607	protection apron	1
8	10007096	Screw(M5x10)	11
9	20003397	Zone Plate	1
10	20003973	back cover board painting	1
11	20003398	back cover(front) board	1
12	20003409	back cover board	1
13	20003974	back shield	1
14	10005124	oil dam	1
15	10005501	oil dam	1
16	10005152	Force Shield(right)	1
17	10005269	Force Shield(left)	1
18	10005303	Screw(M5x40)	6
19	10005321	Force Shield(down)	1
20	10005003	Screw(M5x8)	5
21	20003399	Shield	1
22	20003972	Shield painting	1
23	10005107	Screw(M4x6)	2
24	10005274	Panel	1
25	10005468	panel brand	1
26	10004967	Screw(M5x35)	1
27	10005430	Screw(M5x25)	1
28	10001658	Panel	1
29	10005042	Wick	1
30	10001606	Panel felt	1
31	10004974	Screw(M6x10)	2
32	10005426	bracket	1
33	10005008	trestle board	1
34	10005122	Screw(M4x30)	2
35	10005539	Screw(M5x6)	1
36	10005187	spring	1
37	10005296	Head Oil Reservoir	1
38	10005349	Board	1
39	10005425	Spring Washer	1
40	10005016	Washer	1
41	10005322	Screw(M5x10)	1
42	10005363	Oil Reservoir Gasket	6
43	10008323	Screw(ST4.2x20)	6

Needle head parts



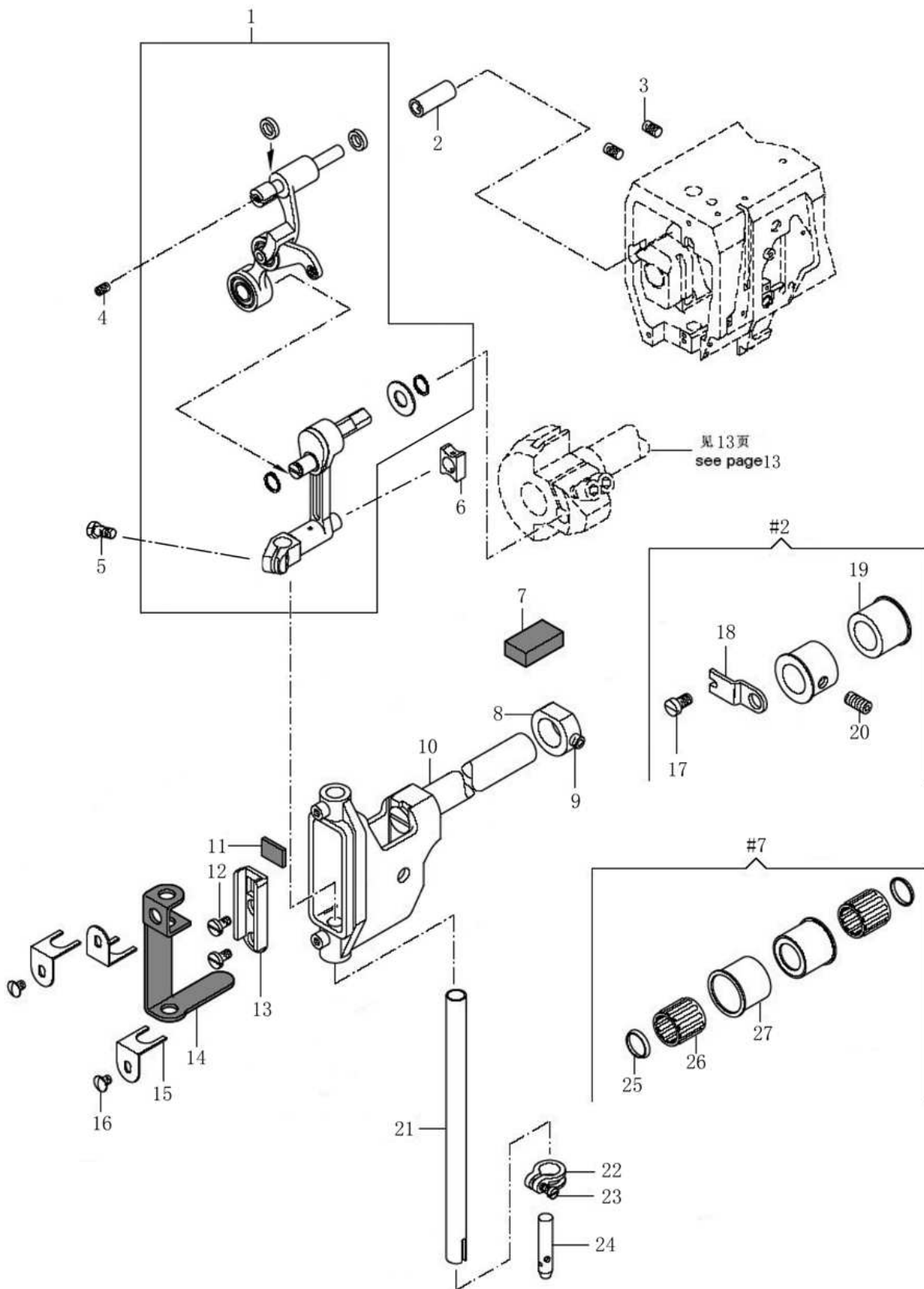
No.	Pars No.	Description	Number
1	10005487	Collar	2
3	10005073	crank bearing	1
4	10005372	Screw(M6x16)	1
5	10005194	washer	1
6	10005043	base frame	1
7	10012752	Screw(M4x10)	3
8	10010953	Screw(M5x10)	1
9	10005212	Union	1
10	10005343	Washer	4
11	10005366	Screw(M4x12)	2
12	10005179	Ball Connecting Rod	2
13	10024475	Adjustable washer	2
14	10005286	Roller wheel coupling spindle bearing	2
15	10005506	bearing seat	2
16	10005465	bearing seat washer	4
17	10005377	bearing seat collar	4
18	10005048	idler wheel foot asm.	1
19	10005301	Roller wheel coupling spindle	1

Needle head parts



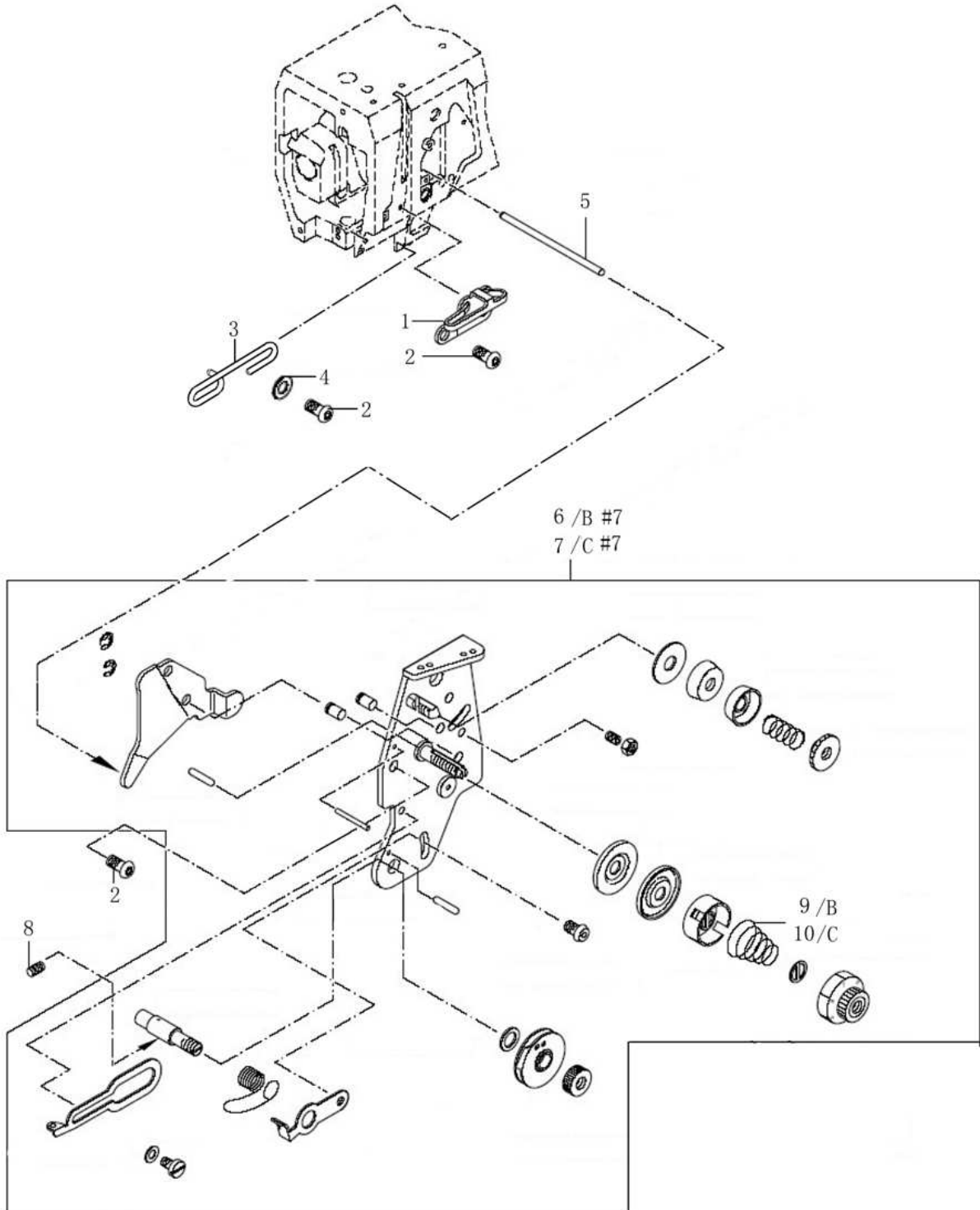
No.	Pars No.	Description	Number
1	10012162	Screw(M5x5)	1
2	20003486	Presserfoot spanner	1
3	10005412	Presser feet handle bushing	1
4	10005180	Screw(M6x8)	1
5	10005312	Screw(M6x8)	1
6	10022018	Screw(M5x5)	4
7	10005546	Strut bar bearing	2
8	10005011	Presser foot lift axle	1
9	10005543	Presser foot lift bump	1
10	10005549	Screw(M6x5)	2
11	10005208	Strut bar slides	1
12	10005192	Strut bar slides guide bar	1
13	10005418	replacement spring	1
14	10005239	Presser foot lift jointing	1
15	10005406	Presser foot lift pin	1
16	10005078	Collar	1
17	10005178	Presser feet assembly	1
18	10005243	Screw(M4x8)	1
19	10005068	Presser feet handle	1
20	10005460	Compression spring	1
21	10001492	Eccentric swage locating seat	1
22	10005415	Washer	1
23	10005350	Screw(M4x8)	1
24	10001422	Eccentric swage assembly	1
25	10005204	Screw(M4x6)	1

Needle head parts



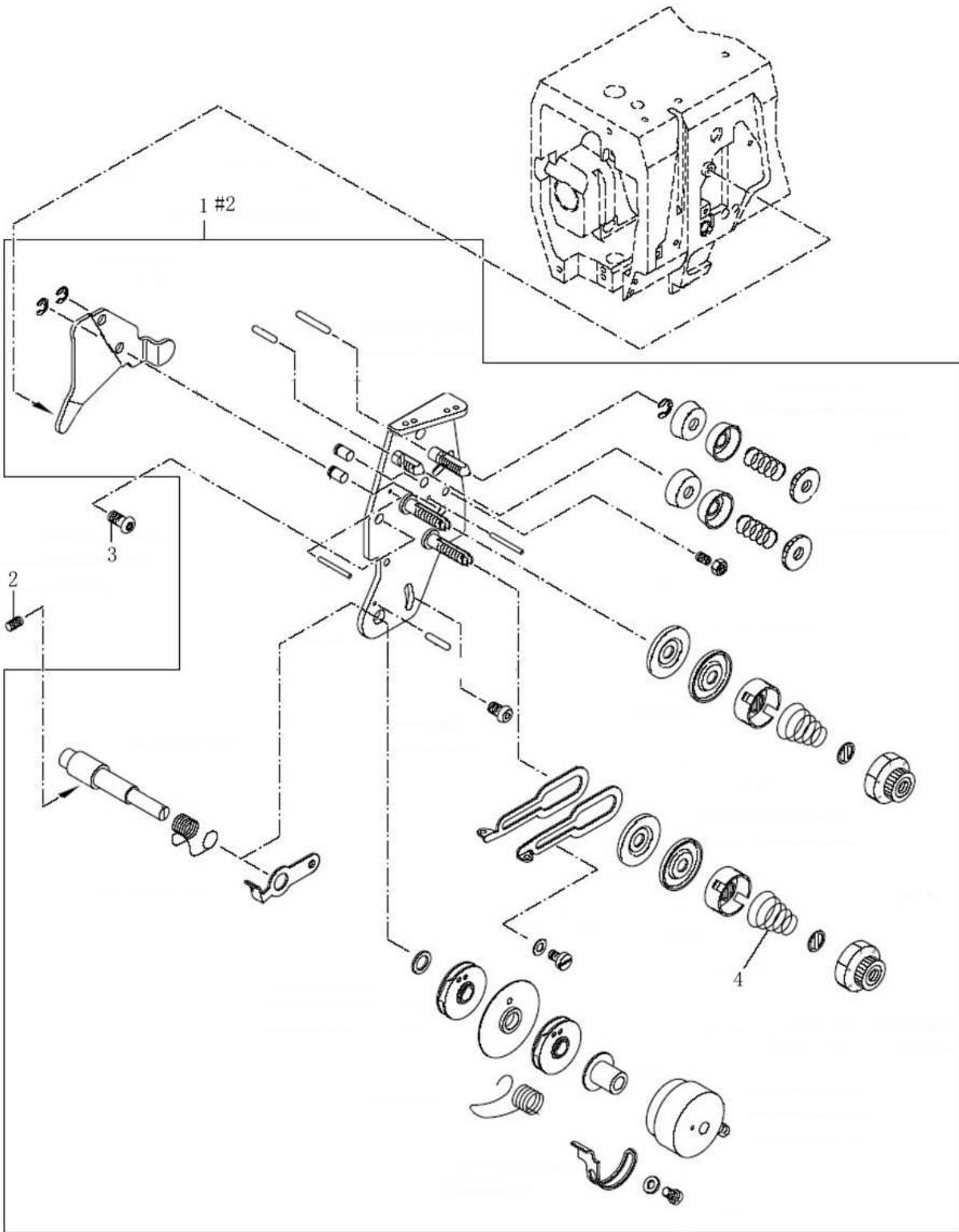
No.	Pars No.	Description	Number
1	10005207	Takeuplever assembly	1
3	10004949	Screw	2
4	10005295	Screw	1
5	10005314	Bolt	1
6	10005326	Needle joining slider	1
7	10005275	Linoleum	1
8	10005482	Uper check ring	1
9	10005549	Screw	1
10	10005397	Needle bar assembly	1
11	10005188	Linoleum	1
12	10005379	Screw	2
13	10005263	Needle slider groove	1
14	10004947	Linoleum	1
15	10005197	Linoleum clamp	1
16	10005050	Screw	2
17	10001493	Screw	1
18	10008050	Guide plate	1
19	10008049	Needle bar bush	2
20	10002163	Screw	1
21	10005491	Needle bar uper	1
22	10005181	Needle bar clamp ring	1
23	10005209	Screw	1
24	10001494	Pin chuck	1
25	10005031	Inner retainer ring	2
26	10007194	Bearing	2
27	10004952	Bearing bush	2

Needle head parts



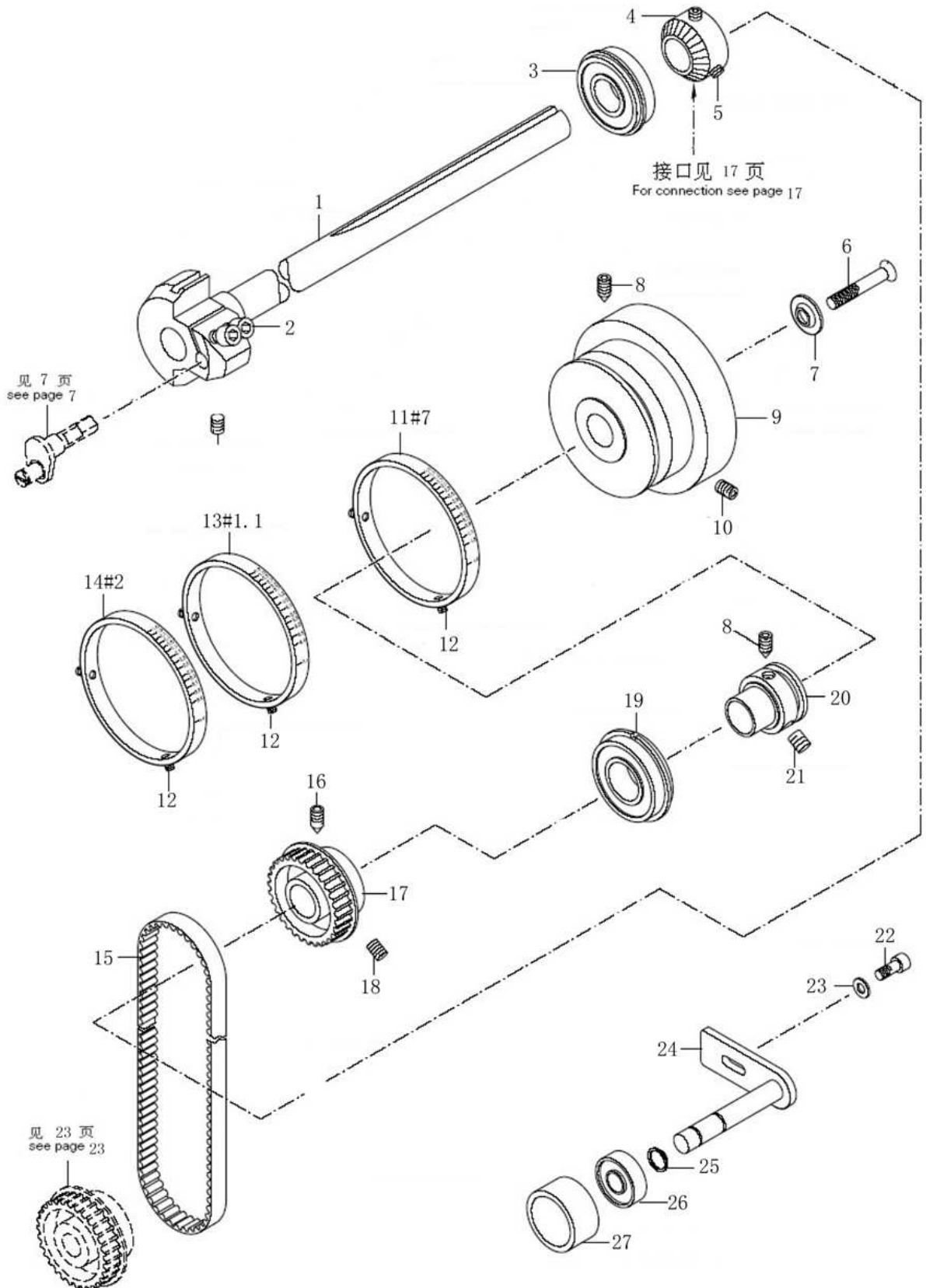
No.	Pars No.	Description	Number
1	10005118	Left and right wire hook	1
2	10007096	Screw(M5×10)	3
3	10005148	Wire hook I	1
4	10005244	Washer	1
5	10005015	Clamp thimble	1
6	10005112	conductor holder-Thin	1
7	10004080	conductor holder-Thick	1
8	10004949	Screw(M5×8)	1
9	10005014	Split line Spring	1
10	10005347	Thick Split line Spring	1

Needle head parts



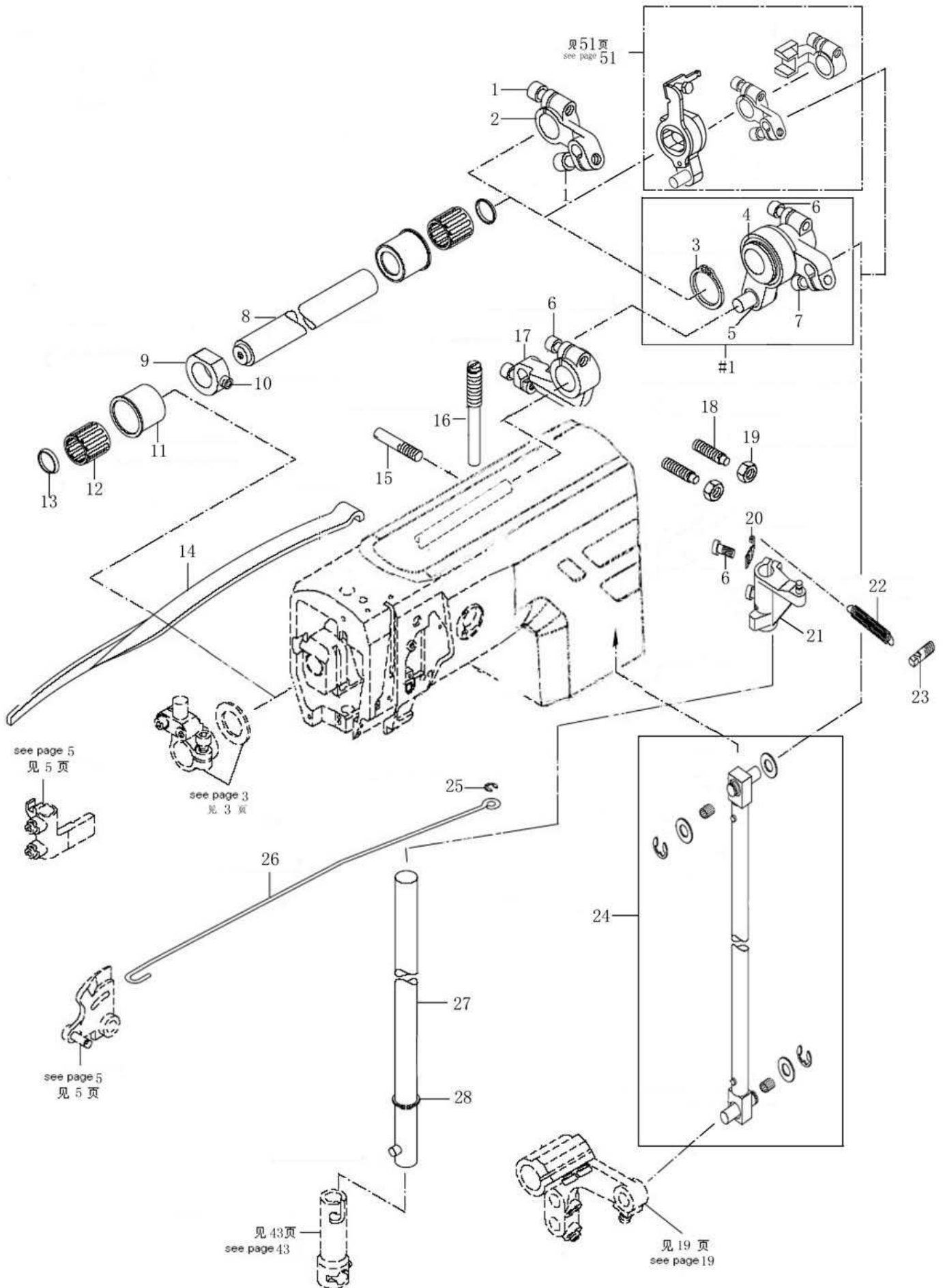
No.	Pars No.	Description	Number
1	10014515	Conductor holder Assembly	1
2	10004949	Screw(M5×8)	1
3	10007096	Screw(M5×10)	1
4	10005014	Wire clamp spring	1

Arm parts



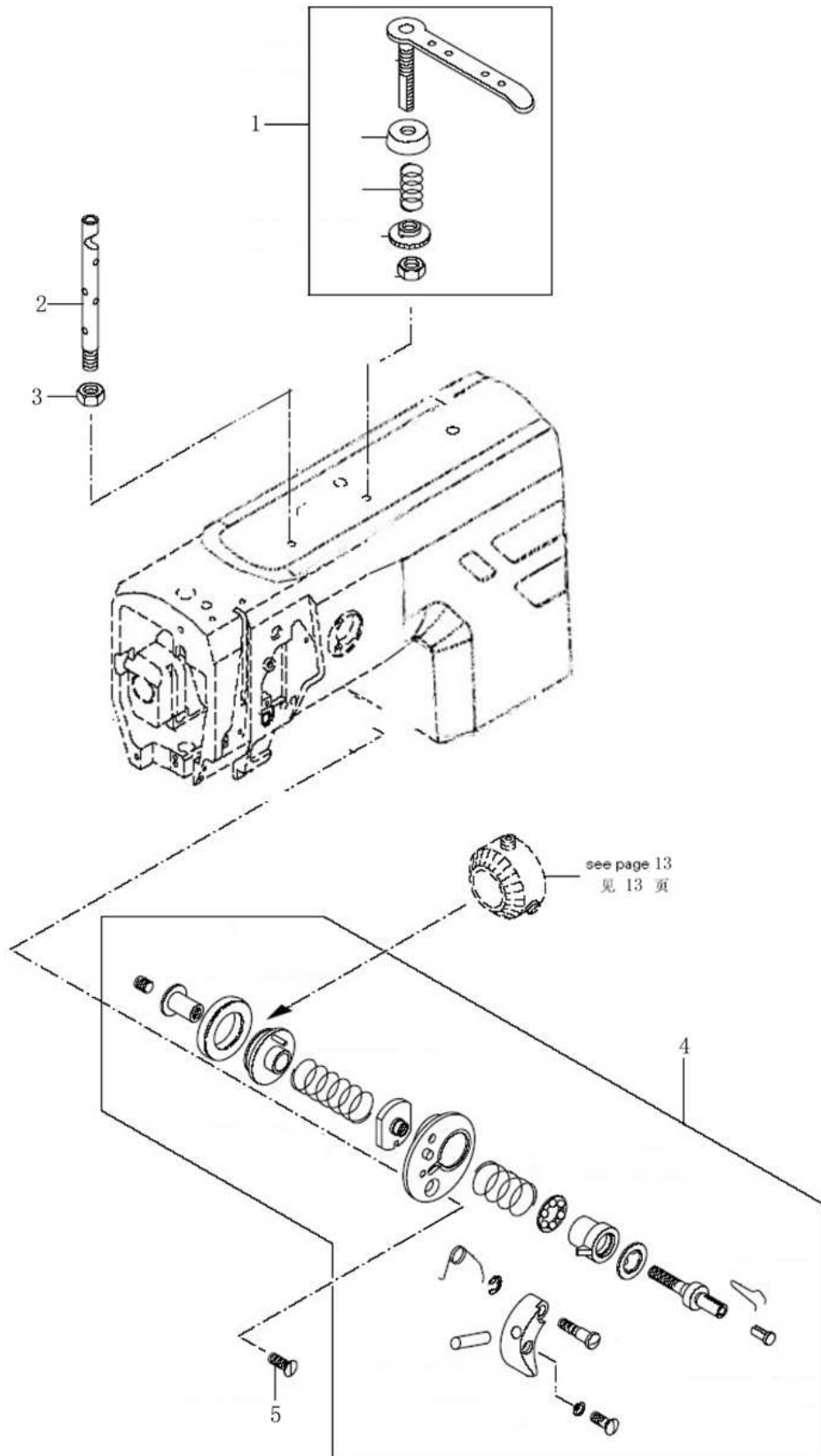
No.	Pars No.	Description	Num-ber
1	10005320		1
2	10010953	Screw(M5x10)	2
3	10003578	6204ZZNR bearing	1
4	10005327	Pulley	1
5	10012160	Screw(M5x5)	2
6	10005369	Screw(M6x35)	1
7	10005237	Fornt cover washer	1
8	10005196	Screw(M6x0.75x8)	1
9	20003489	Uppper wheel	1
10	10005300	Screw(M6x0.75x8)	1
11	20006757	Regulating ring painting	1
12	10006279	Screw(M4x2.8)	2
13	20006741	Regulating ring painting	1
14	20006758	Regulating ring painting	1
15	10005472	Synchronous belt	1
16	10011966	Screw(M6x8)	1
17	10005480	Spindle Pulley	1
18	10009187	Screw(M6x8)	1
19	10025882	6004NR-2RS_BOM Bearing	1
20	10005305	Spindle Pulley bearing bush	1
21	10005119	Screw(M6x0.75x6)	1
22	10005139	Screw(M5x12)	1
23	10005016	Washer	1
24	10005508	Seal part	1
25	10004945	Collar	1
26	10003576	6000ZZ Bering	1
27	10005396	Bearing knot	1

Arm parts



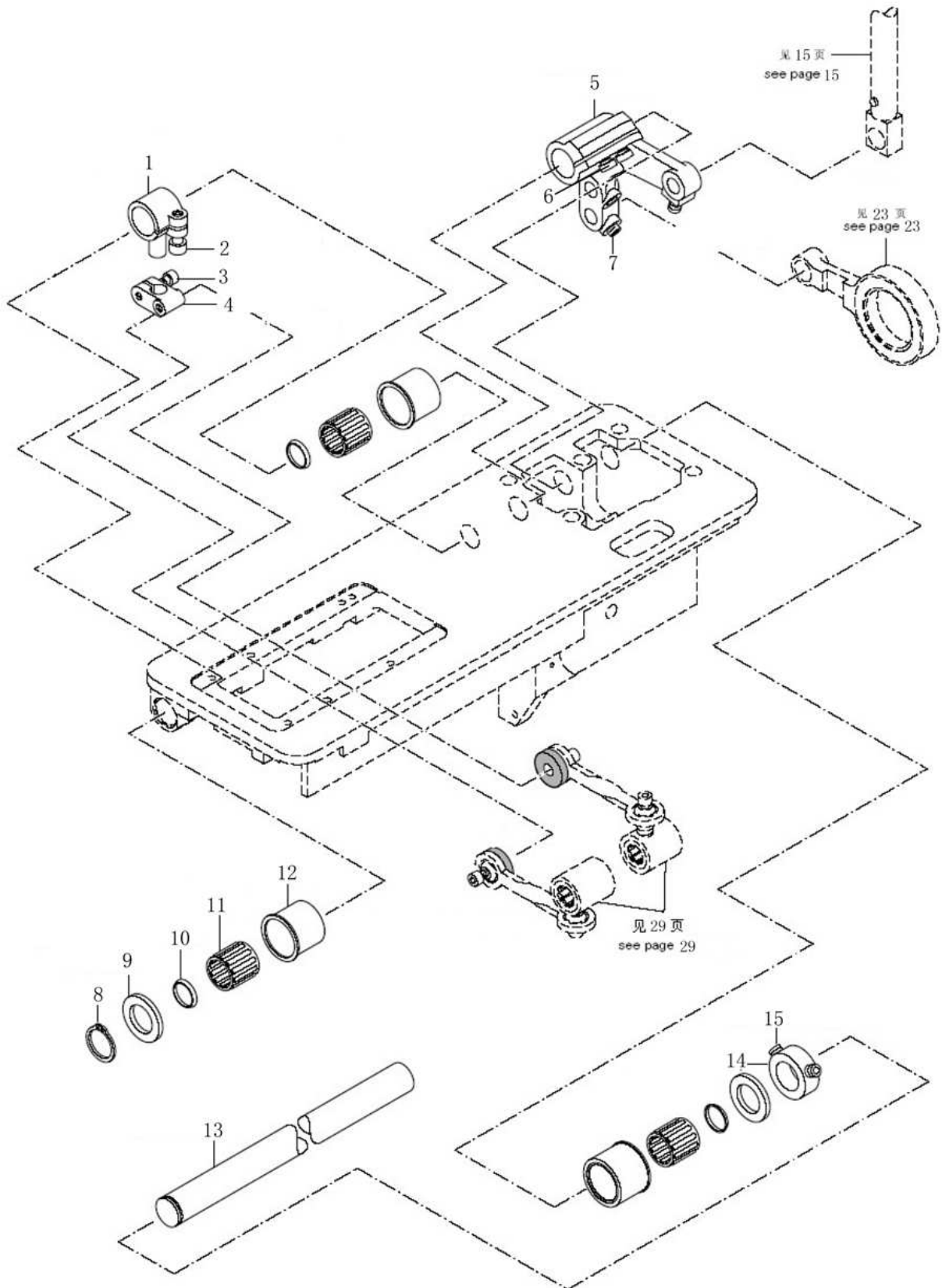
No.	Pars No.	Description	Number
1	10009008	Screw(M6x16)	2
2	10001459	Eccentric crank(uper bearing)	1
3	10005361	Eccentric crank collar	1
4	10005483	Crank reciprocating rod	1
5	10005200	Eccentric crank	1
6	10005139	Screw(M5x12)	4
7	10012073	Screw(M5x16)	1
8	10005111	Top axis assembly	1
9	10005482	Top axis collar	1
10	10005549	Screw(M6x5)	1
11	10004952	Top axis bearing bush	2
12	10007194	Bearing	2
13	10005031	Inner Collar	2
14	10004998	Compress lever	1
15	10005145	Screw(M6x7.2)	1
16	10005509	Screw(M8x0.75x22.5)	1
17	10005481	Crank	1
18	10005001	Screw(M6x30)	2
19	10005504	Adusting nut(M6)	2
20	10005287	Spring fixing plate	1
21	10005233	Crank	1
22	10005446	Spring	1
23	10005318	Screw(M6x8)	1
24	10004980	Shaft	1
25	10005078	Collar	1
26	10005012	Presser foot rod	1
27	10006434	Moving axis assm.	1
28	10005345	Collar	1

Arm parts



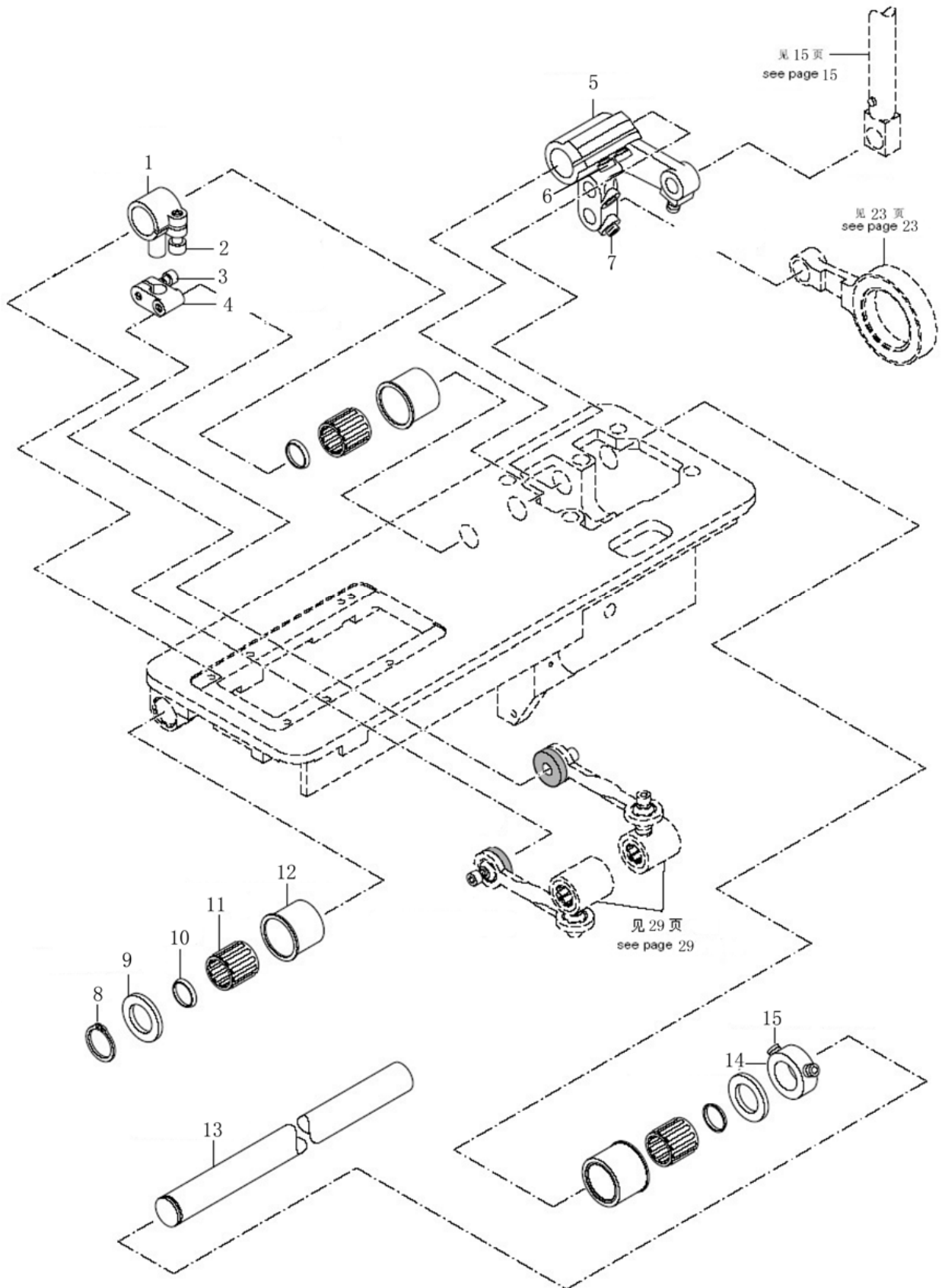
No.	Pars No.	Description	Number
1	10005108	Thread guide	1
2	10005384	Thread crossing column	1
3	10005504	Adjusting nut M6	1
4	10005149	Bobbin	1
5	10005459	Screw(M4x8)	1

Bedplate parts



No.	Pars No.	Description	Number
1	10005212	Universal coupling head	1
2	10010953	Screw(M5×10)	1
3	10012752	Screw(M4×10)	1
4	10005043	Universal base frame	1
5	10024835	Transport supporting arm	1
6	10005271	Screw(M5×12)	2
7	10005549	Screw(M6×5)	2
8	10005272	Collar	1
9	10005194	Washer	2
10	10005031	Inner collar	3
11	10007194	Bearing	3
12	10004952	Bearing bush(Uper)	3
13	10005000	Transport Major Axis	1
14	10005477	Collar	1
15	10005258	Screw(M6×0.75×5)	1

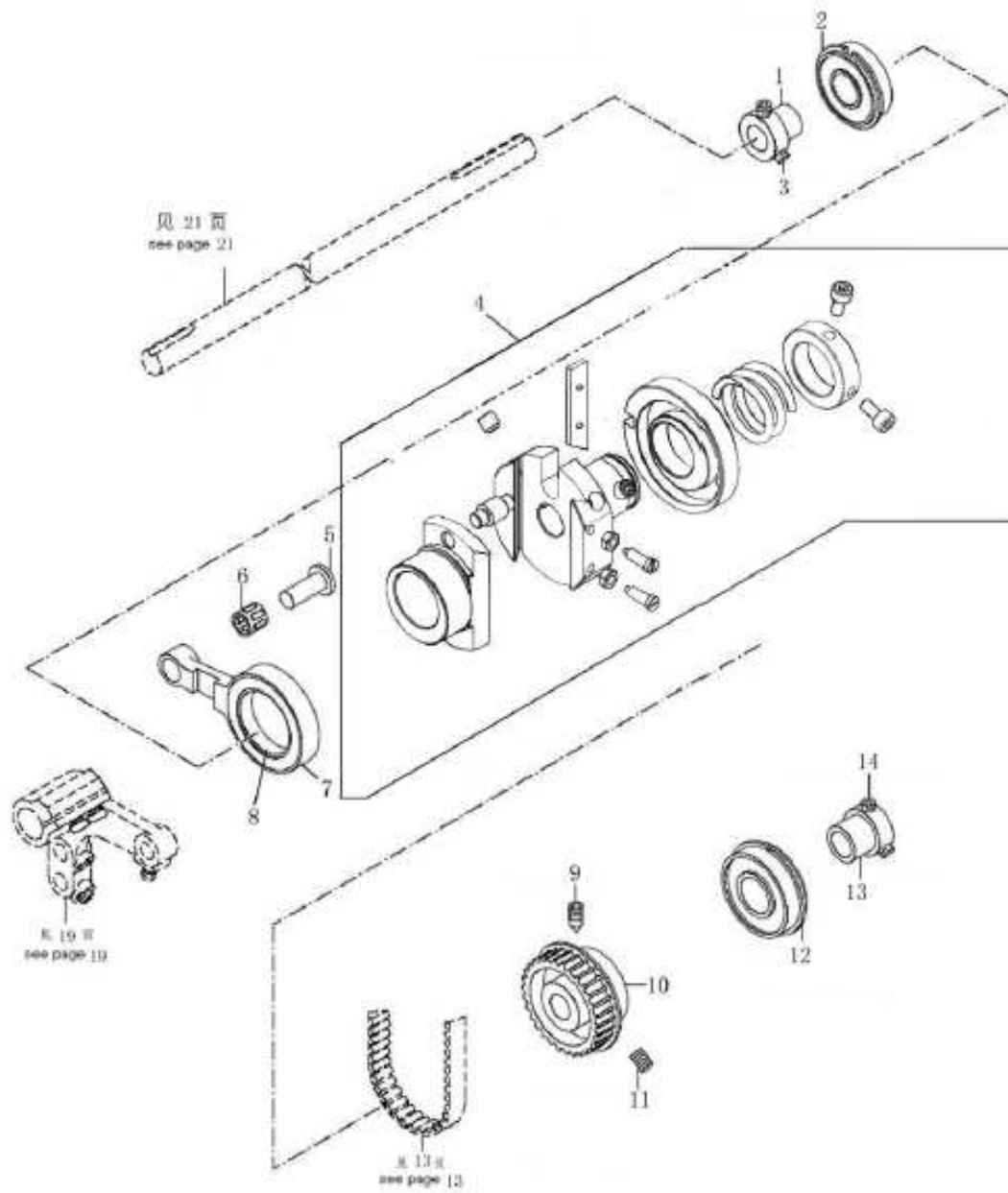
Bedplate parts



No.	Pars No.	Description	Num-ber
1	10005409	Universal coupling spindle Collar	3
2	10012162	Screw(M5x5)	2
3	10005123	Universal coupling spindle	1
4	10005268	Bearing(dowm)	1
5	10005250	Clutch	1
6	10005183	Clutch minor connector	1
7	10005300	Screw(M6x0.75x8)	2
8	10005196	Screw(M6x0.75x8)	2
9	10005364	Clutch gusset	1
10	10005147	Collar	1
11	10005395	Clutch connector	1
12	10013306	steel ball	3
13	10004948	Clutch minor spring	3
14	10005486	Clutch linker	1
15	10005119	Screw(M6x0.75x6)	3

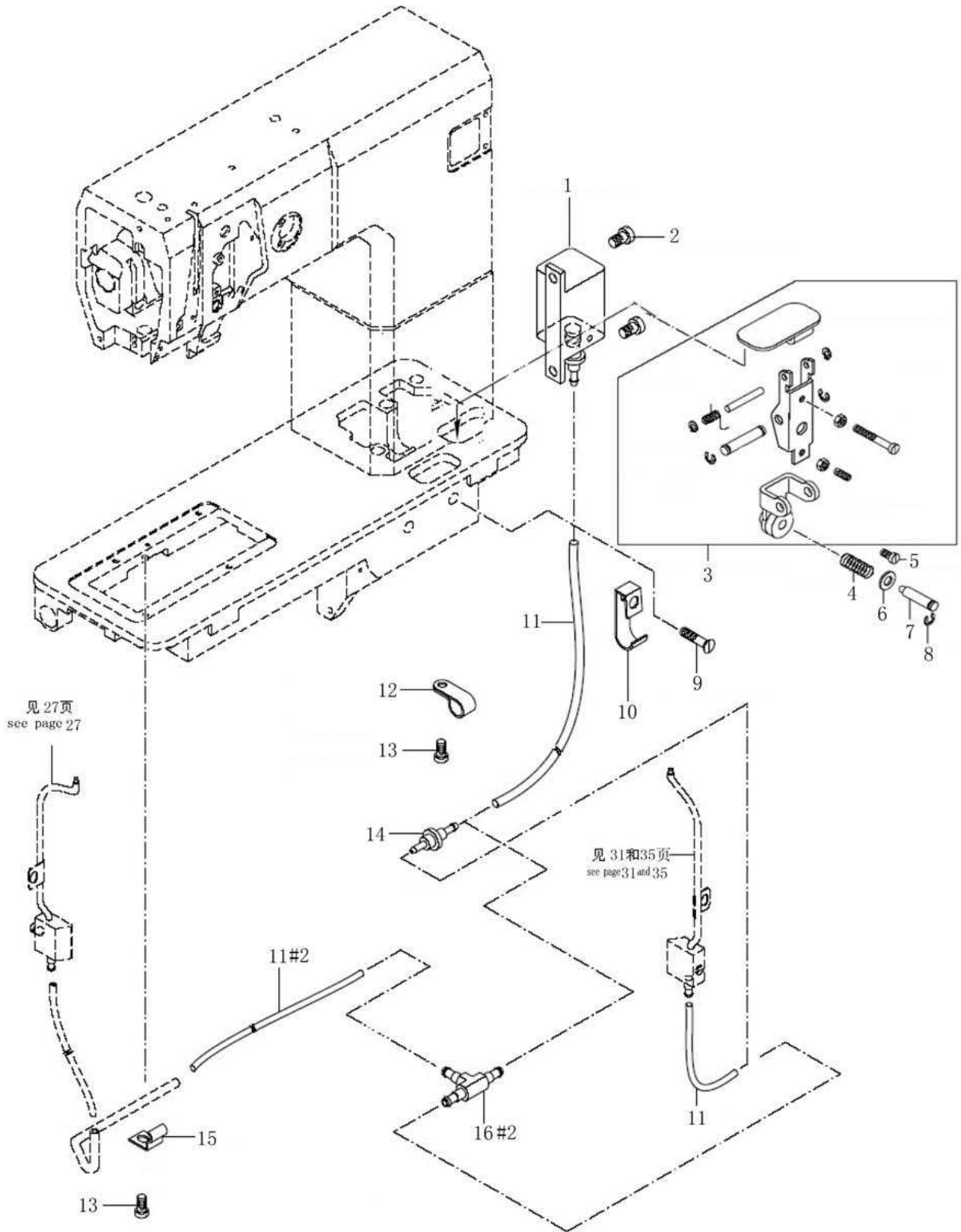
Bedplate parts

Bedplate Parts



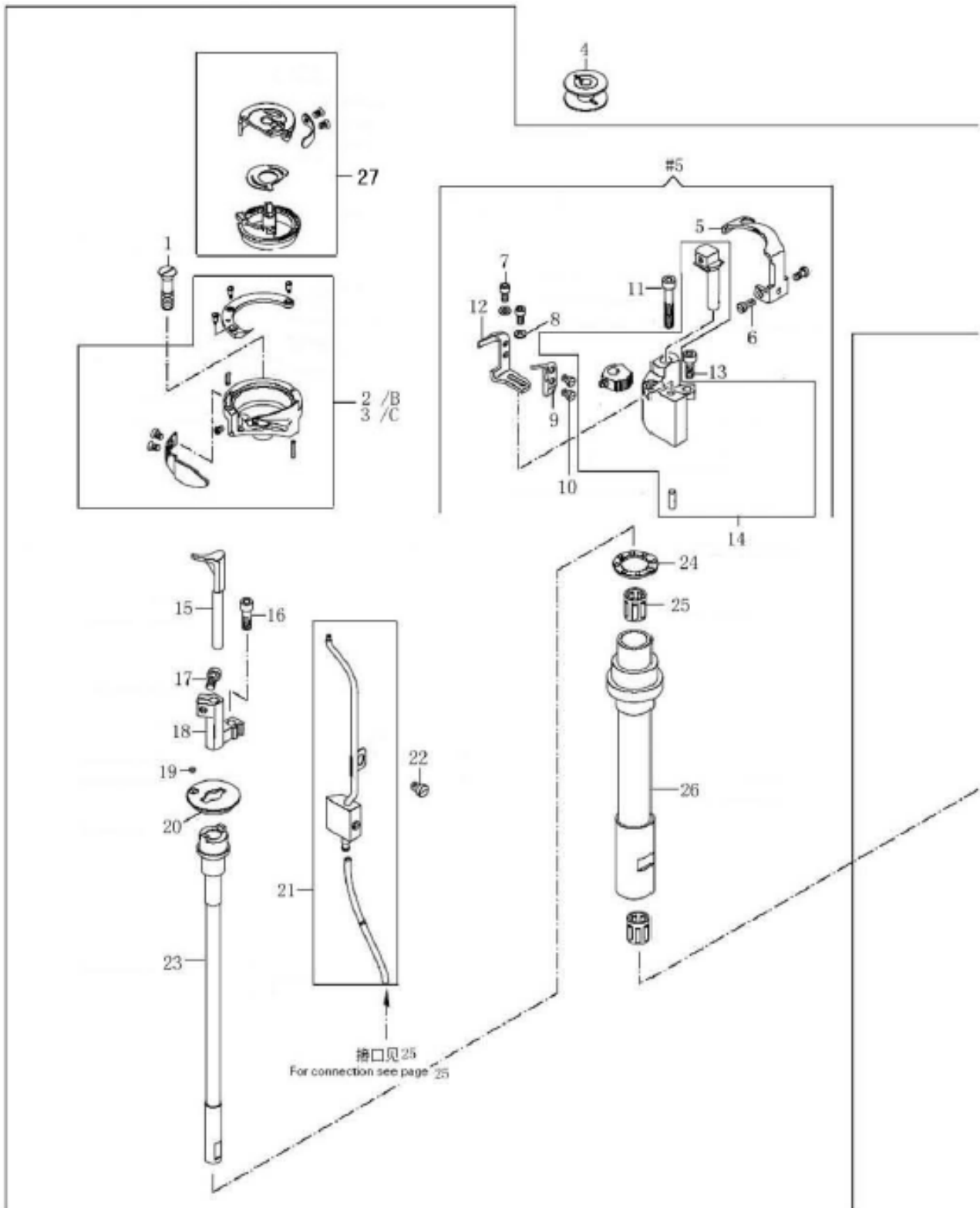
No.	Pars No.	Description	Number
1	10005105	Bearing bush	1
2	10009787	6202ZZNR Bearing	1
3	10005549	Screw(M6x5)	2
4	10024829	Guage regulator component	1
5	10005047	Guage adjusting pin	1
6	10007368	Needle bearing	1
7	10005511	Guage adjusting reciprocating rod	1
8	10008113	6806ZZ bearing	1
9	10011966	Screw(M6x8)	1
10	10005380	axle pulley(down)	1
11	10009187	Screw(M6x8)	1
12	10007152	6203ZZNR Bearing	1
13	10005142	Bearing bush(down)	1
14	10005549	Screw(M6x5)	1

Bedplate parts



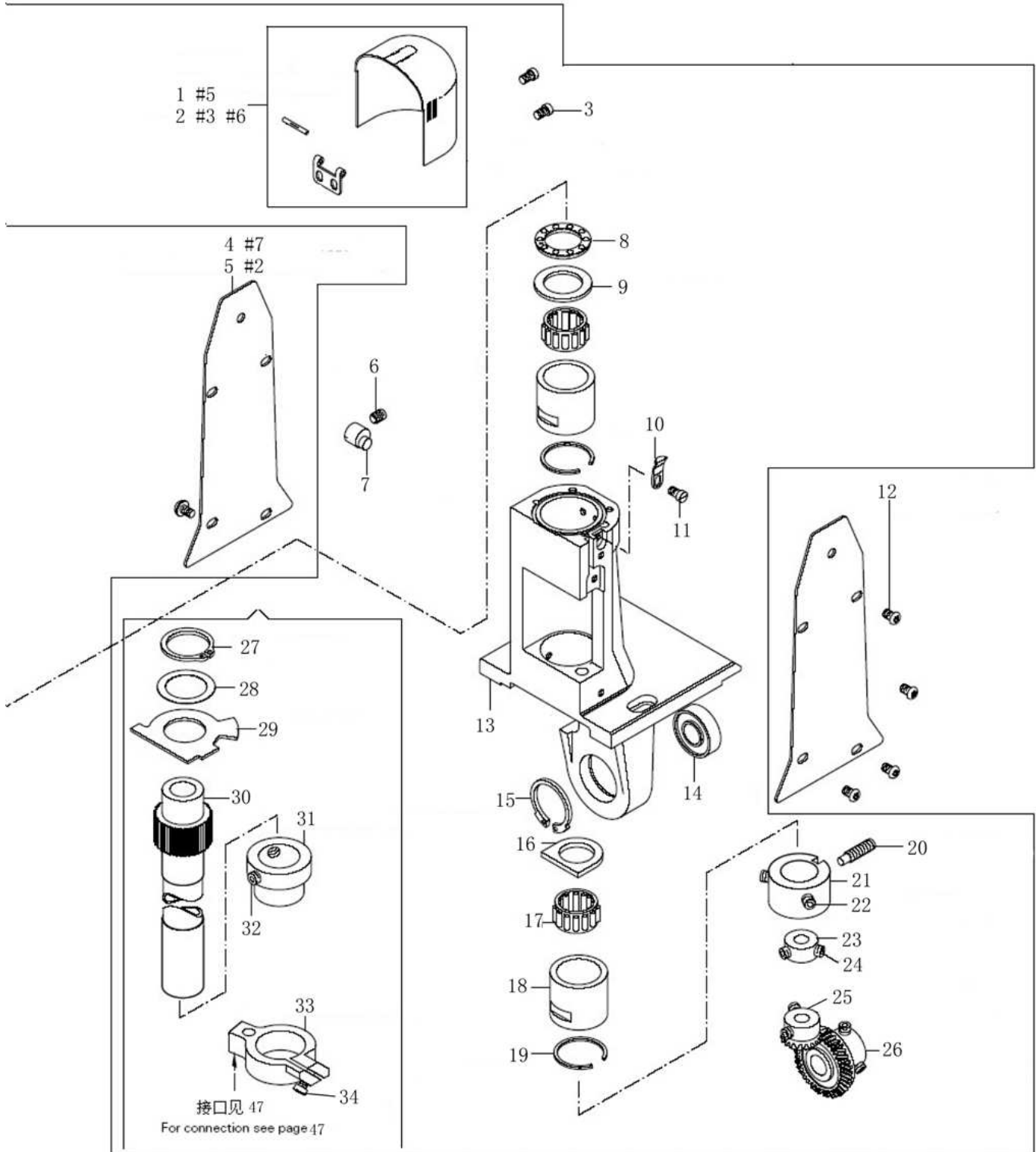
No.	Pars No.	Description	Number
1	10005291	Minor oil box assembly	1
2	10005003	Screw(M5×8)	2
3	10005507	Stitch adjusting assembly	1
4	10005251	Swing Pressure spring	1
5	10005513	Screw(M4×8)	1
6	10004979	Washer	1
7	10025663	Adjustor pin roll	1
8	10005078	Collar	1
9	10005157	Screw(M4×20)	1
10	10004973	Oil pipe clip	1
11	10007800	φ3×φ5 oil pipe	1
12	10001546	Cable clip	1
13	10005076	Screw(M4×5)	2
14	10005311	Oil pipe plug	1
15	10002150	Oil pipe plywood	1
16	10001535	T-type plug	1

Hook post, right



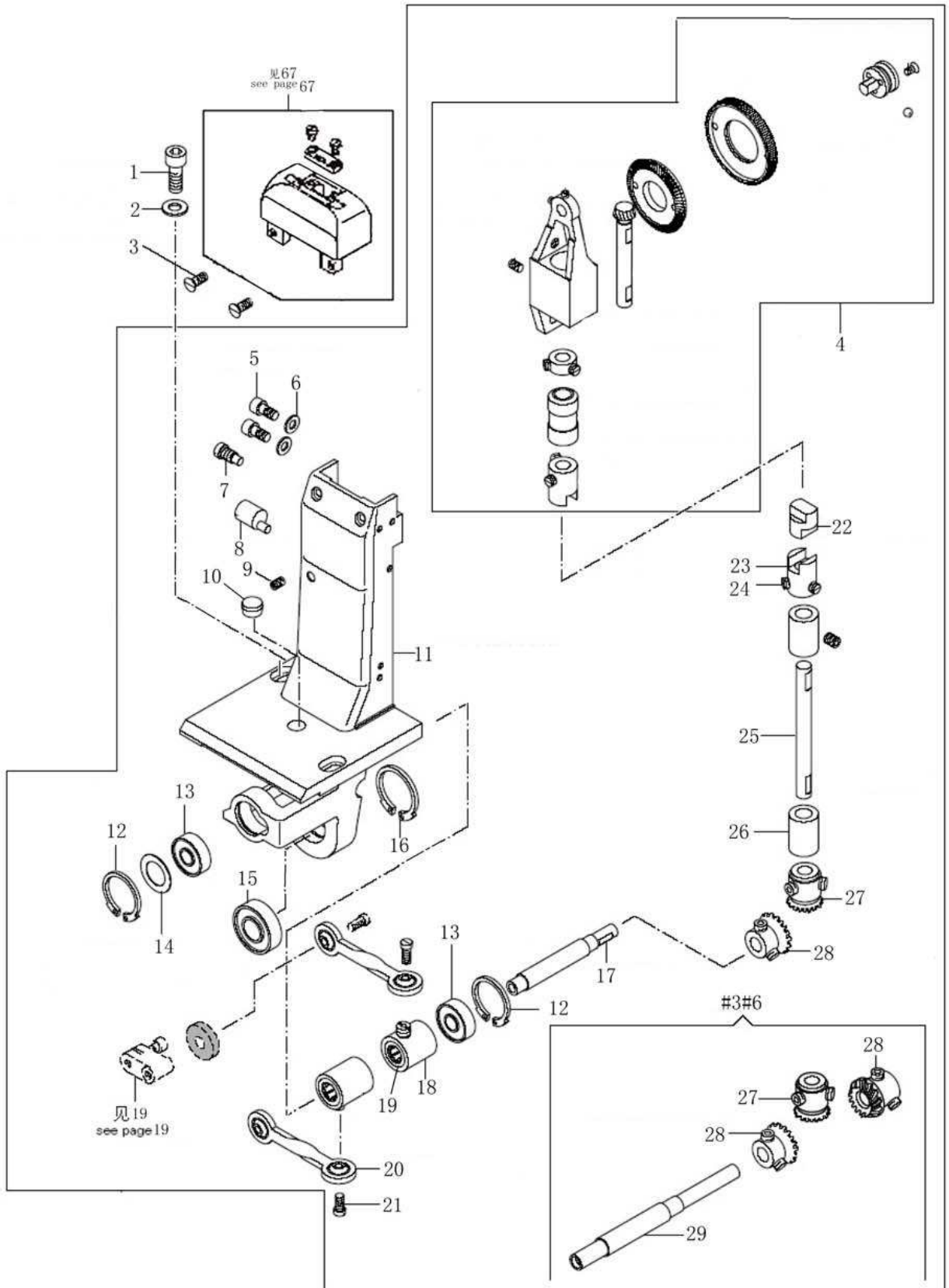
No.	Pars No.	Description	Number
1	10004984	Screw(M5x20)	1
2	10005378	Hook	1
3	10004081	Hook-Thickness	1
4	10005461	Shuttle	1
5	10001519	Hook thread plate	1
6	10005547	Screw(M3x6)	2
7	10001513	Screw(M3x6)	2
8	10002068	Washer	2
9	10001609	Thread trimmer ledger plate	1
10	10001512	Screw(M2.5x3)	2
11	10001608	Screw(M4x25)	1
12	10001518	Thread trimmer	1
13	10005041	Screw	1
14	10001515	Hook thread plate base	1
15	10005182	Positioning finger	1
16	10005366	Screw(M4x10)	1
17	10005204	Screw(M4x6)	1
18	10005154	Positioning finger base	1
19	10004937	O-ring	1
20	10005360	Hook end plate	1
21	10005394	Oil mass adjusting assembly	1
22	10005076	Screw(M4x5)	1
23	10005245	Hook transmission mandrel	1
24	10005346	Minor Edge bearing	1
25	10007374	Needle bearing	2
26	10005382	Hook transmission bearing	1
27	10005393	Bobbin case asm	

Hook post, right



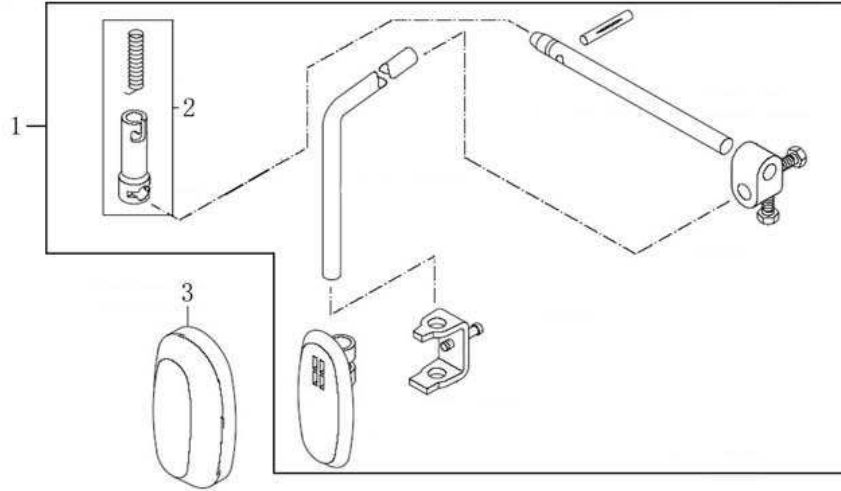
No.	Pars No.	Description	Num-
1	10005373	Hook shield components	1
4	20003490	Shroud Head I	2
7	10005215	Eccentric pin	2
8	10005398	Edge bearing	1
9	10005052	Washer	1
10	10004999	Spring board	1
11	10005309	Screw(M4x6)	1
12	10005107	Screw(M4x6)	10
13	20003491	Hook support saddle	1
14	10005231	Bearing	1
15	10005029	Collar	1
16	10005177	Linoleum	1
17	10007377	Bearing	2
18	10005259	Hook transmission bearing bush	2
19	10005383	Collar	2
20	10004987	Screw(M6x25)	1
21	10005462	Hook transmission bearing collar	1
22	10005549	Screw(M6x5)	2
23	10005413	Hook transmission mandrel collar	1
24	10005502	Screw(M6x0.75x4.5)	2
25	10006298	Hook transmission gear II components	1
26	10006297	Hook transmission gear I components	1
27	10001416	Hook bluff bit Collar	1
28	10001415	Hook bluff bit washer	1
29	10001611	Hook bluff bit	1
30	10001418	Hook transmission bearing	1
31	10001887	Hook transmission bearing collar	1
32	10005549	Screw(M6x5)	1
33	10002106	Hook transmission crank	1
34	10005041	Screw(M4x10)	1

Feed wheel post

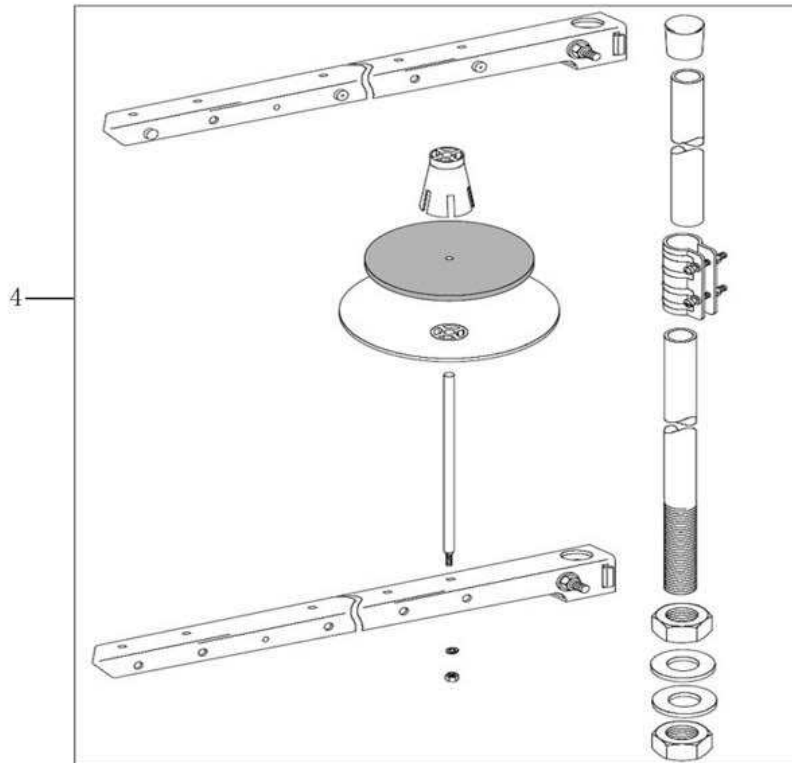


No.	Pars No.	Description	Num-
1	10004985	Screw(M6×16)	2
2	10005550	Washer	2
3	10005459	Screw(M4×8)	2
4	10005376	Feeding mechanism components	1
5	10005139	Screw(M5×12)	2
6	10005260	Washer	2
7	10004978	Screw(M6×8)	1
8	10005257	Eccentric pin	1
9	10009741	Screw(M4×6)	1
10	10005407	oil plug	1
11	20004051	Feeding support saddle	1
12	10005432	Collar	2
13	10005137	Bearing	2
14	10005109	Adjusting washer	1
15	10005231	Bearing	1
16	10005029	Collar	1
17	10005540	Bearing	1
18	10005454	Bearing seat	2
19	10005286	Bobbin coupling spindle bearing	2
20	10004940	Reciprocating rod components	2
21	10005405	Screw(M4×9)	2
22	10005084	Joint block	1
23	10005236	Joint bush	1
24	10012162	Screw(M5×5)	2
25	10005402	Feeding transmission bearing	1
26	10005431	Set	1
27	10007907	Feeding mechanism gear II components	1
28	10007879	Feeding mechanism gear I components	1
29	10001485	Gear shaft	1

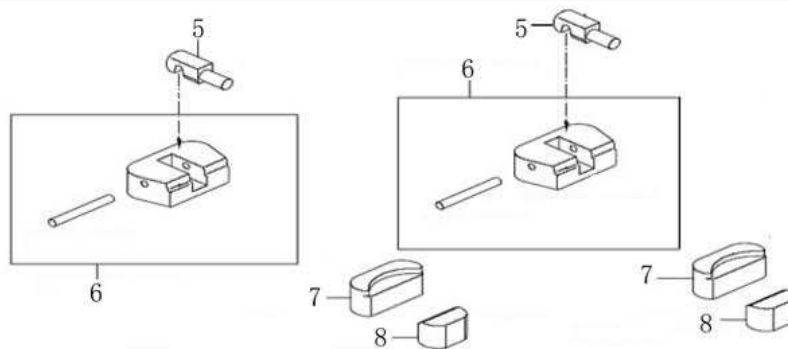
7 脚膝抬压脚部件 Knee lifter parts



8 线架 Reel stands



9 用于台板零件 Parts for table top



Knee lifter parts

No.	Pars No.	Description	Number
1	10004975	By knee components	1
2	10005514	Control fulcrum components	1
3	10005455	By knee in sole	1
			Thread Stands
4	10006300	Thread Stands	1
			Parts for table top
5	10005374	Hinges	2
6	10005030	Hinges components	2
7	10005248	Cushion Side support	2
8	10005114	pillar	2

 ***texi***®