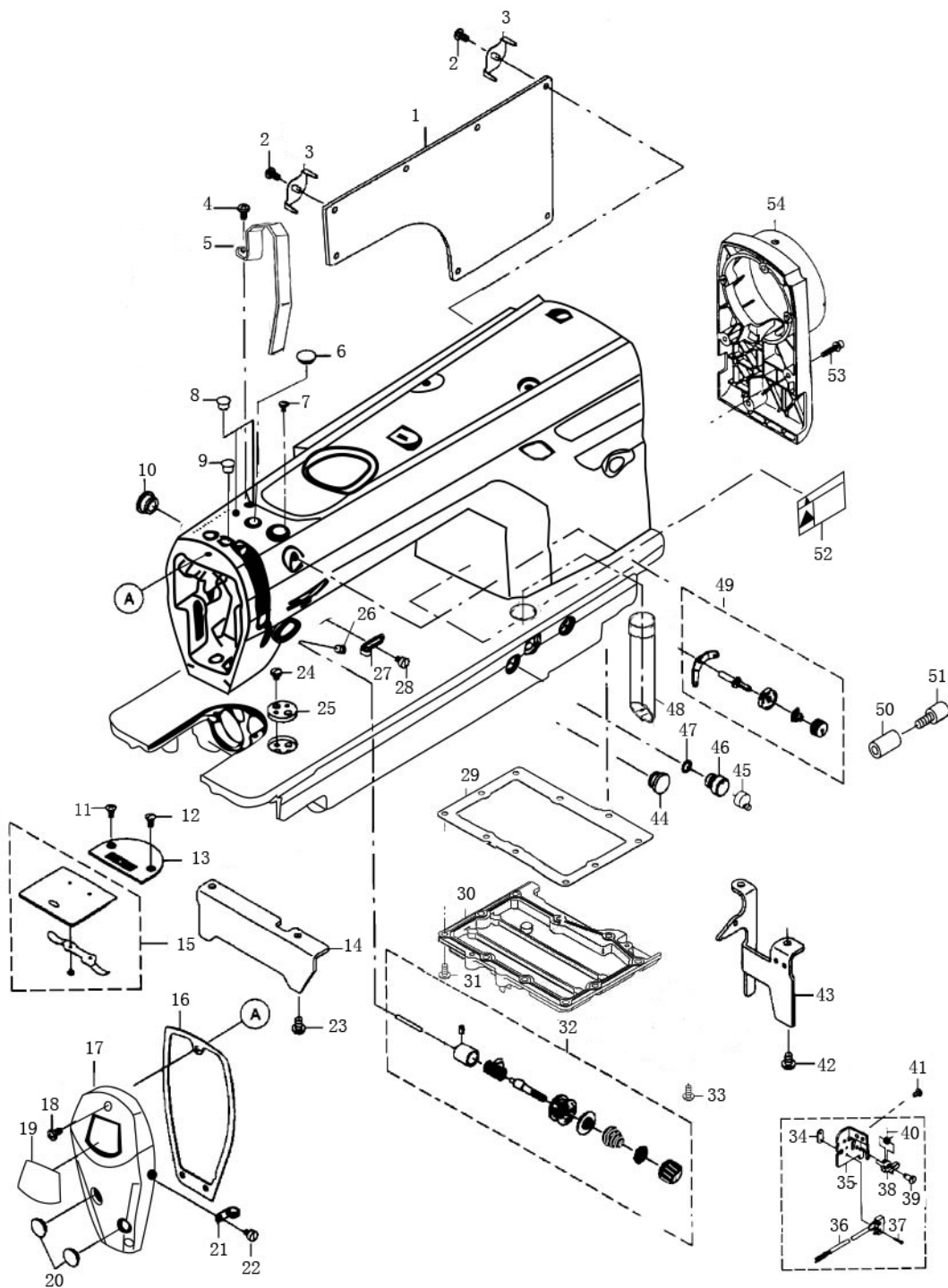


1, MACHINE FRAME & MISCELLANEOUS COVER COMPONENTS



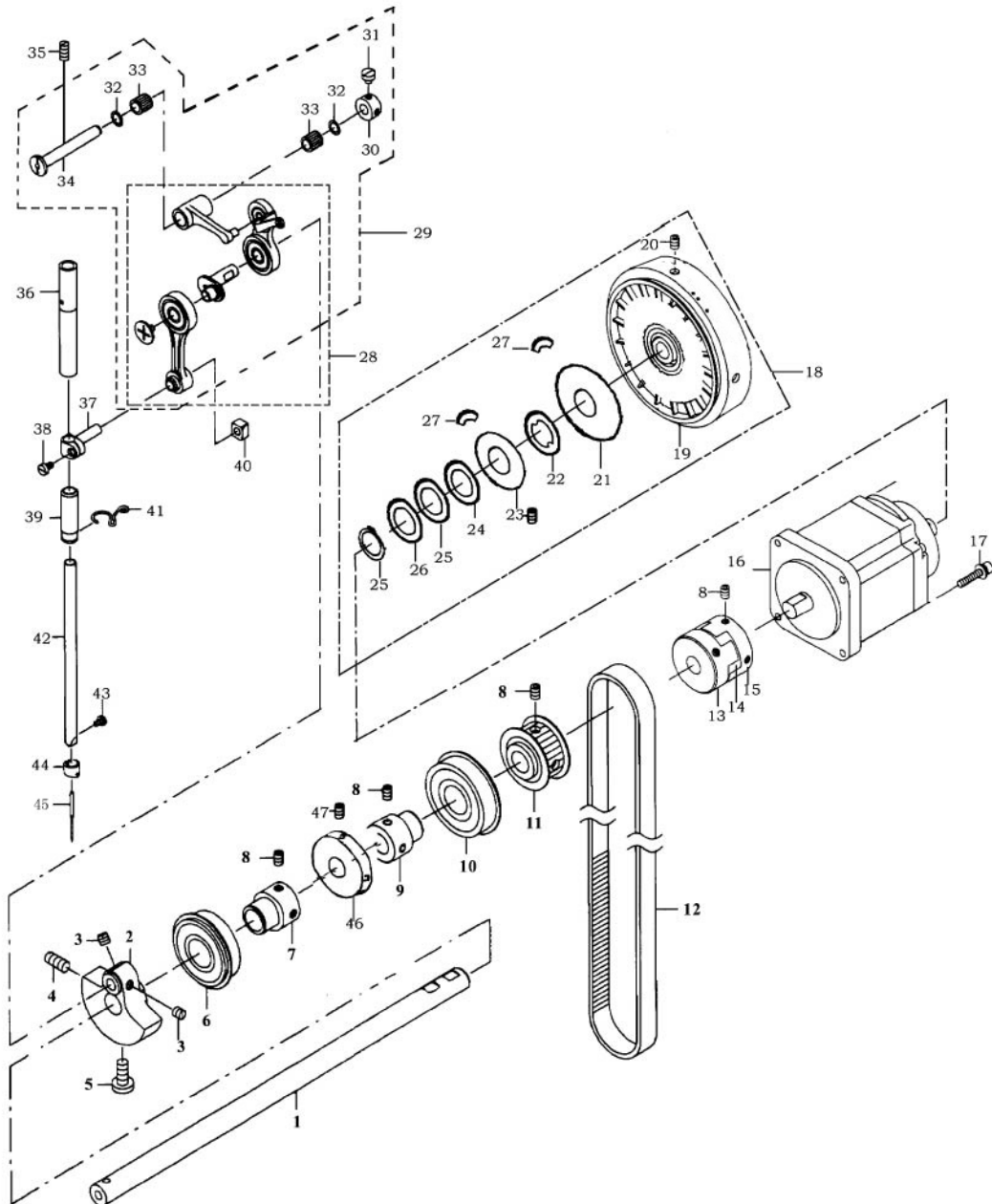
1, MACHINE FRAME & MISCELLANEOUS COVER COMPONENTS

REF.No.	Part No.	Name of the part	Qty.	Light & medium material	Heavy material	Leather
1	217GR103	SIDE PLATE	1	☆		
2	GS300-8	SCREW 3/16-28 L=9	7	☆		
3	GR1006-8	CORSHOLDER	2	☆		
4	GS300-8	SCREW 3/16-28 L=9	1	☆		
5	280GR101	THREAD TAKE-UP LEVER COVER	1	☆		
6	217GR109	RUBBER PLUG D=12.5 L=4	1	☆		
7	217GS107	SCREW 11/64-40 L=7	1	☆		
8	217GR105	RUBBER PLUG	1	☆		
9	217GR113	CAP	2	☆		
10	217GR104	RUBBER PLUG	1	☆		
11	217GS103	SCREW 11/64-40 L=8.5	1	☆		
		SCREW 11/64-40 L=8.5	1		☆	
12	GS338-8	SCREW 11/64-40 L=8.5	1	☆		
		SCREW 11/64-40 L=8.5	1		☆	
13	217GM101	THROAT PLATE	1	☆		
		THROAT PLATE	1		☆	
14	217. 1-23	CEAR BOX FLOATER ASM.	1	☆		
15	GW167/4-8	SLIDE PLATE ASM.	1	☆		
16	280GO101	FACE PLATE PACKING	1	☆		
17	280GR102	PACE PLATE	1	☆		
18	GS300-8	SCREW 3/16-28 L=9	3	☆		
19	240GB101	PLATE	1	☆		
20	GR583-8	RUBBER PLUG D=12.5 L=4	2	☆		
21	GR604-8	ARM THREAD GUIDE B.	1	☆		
22	GS313-8	SCREW 11/64-40 L=6	1	☆		
23	217GS101	SCREW 15/64-28 L=9	2	☆		
24	GS373-8	SCREW 11/64-40 L=5	2	☆		
25	GR724-8	RULER STOP SEAT	1	☆		
26	GS316-8	SCREW 15/64-28 L=7	1	☆		
27	GR603-8	ARM THREAD GUIDE A	1	☆		
28	GS313-8	SCREW 11/64-40 L=6	1	☆		
29	217GR106	GEAR BOX PACKING	1	☆		
30	217GR110	GEAR BOX COVER	1	☆		
31	217GS102	SCREW 3/16-28 L=10	10	☆		
32	GR605/11-8	THREAD TENSION ASM.	1	☆		
		THREAD TENSION ASM.	1		☆	
33	217GS105	SCREW	4	☆		
34	218GD153	SAFETY SWITCH HUT	1	☆		
35	218GD156	SAFETY SWITCH BASE	1	☆		
36	218GD157	SAFETY SWITCH CORD ASM	1	☆		
37	218GD152	SCREW	1	☆		
38	218GD155	SAFETY SWITCH ARM	1	☆		
39	218GD154	SAFETY SWITCH ARM SHAFT	1	☆		
40	218GD151	SAFETY SWITCH SPRING	1	☆		

1, MACHINE FRAME & MISCELLANEOUS COVER COMPONENTS

REF.No.	Part No.	Name of the part	Qty.	Light & medium material	Heavy material	Leather
41	GR1006-8	CORSHOLDER	2	☆		
42	217GS101	SCREW 15/64-28 L=9	2	☆		
43	217GY501	BED STUD B	1	☆		
44	217GR107	RUBBER PLUG	1	☆		
45	101GR103	AIR-DISCHARGING CAP	1	☆		
46	217GR108	AIR-DISCHARGING	1	☆		
47	217GF101	RUBBER RING	1	☆		
48	217GF101	RUBBER RING	1	☆		
49	GR1013/5-8	THREAD TENSION GUIDE	1	☆		
50	211-0320	REVERSE FEED LEVER STOPPER	1	☆		
51	217GS150	SCREW	1	☆		
52	GQ196-8	SAFETY LABEL	1	☆		
53	101BJ114	BOLT	4	☆		
54	280BJ101	PULLEY COVER	1	☆		

2, MAIN SHAFT & NEEDLE BAR COMPONENTS



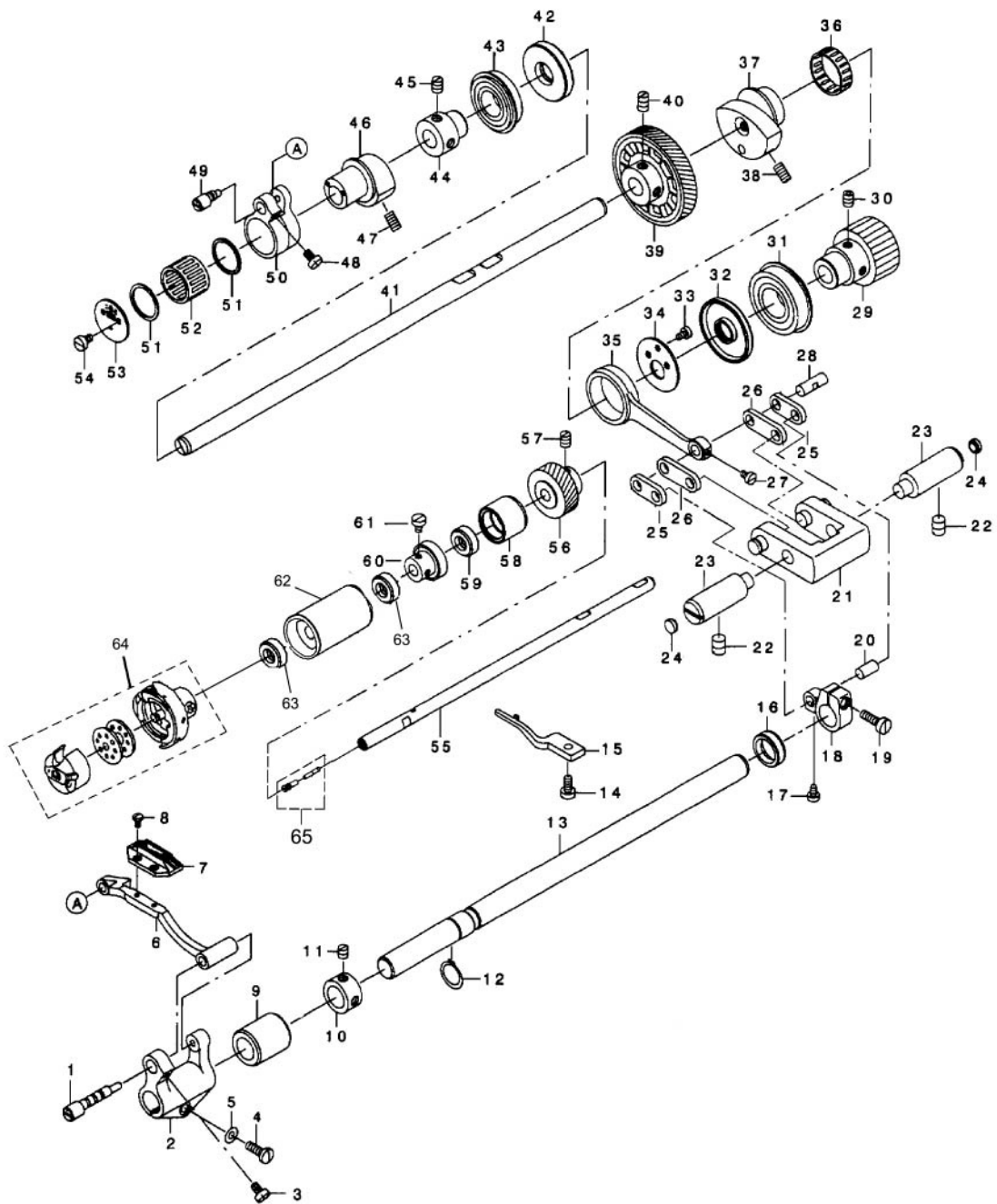
2, MAIN SHAFT & NEDDLE BAR COMPONENTS

REF.No.	Part No.	Name of the part	Qty.	Light & medium material	Heavy material	Leather
1	218GZ101	MAIN SHAFT	1	☆		
2	217GH101	COUNTER WEIGHT	1	☆		
3	GS305-8	SCREW 1/4-40 L=6	2	☆		
4	GS307-8	SCREW 9/32-28 L=16	1	☆		
5	GS371-8	SCREW 9/32-28 L=16	1	☆		
6	217GU102	BEARING	1	☆		
7	217GO106	MAIN SHAFT BEARING SUPPORT	1	☆		
8	217GS107	SCREW M6 L=8	6	☆		
9	217GO105	MAIN SHAFT BEARING SUPPORT	1	☆		
10	217GU101	BEARING	1	☆		
11	217GP101	SPROCKET,UPPER	1	☆		
12	27GE101	TIMING BELT	1	☆		
13	218GO151	COUPLING	1	☆		
14	501GB118	SCREW	1	☆		
15	218GO152	COUPLING	1	☆		
16	218GD162	MOTOR	1	☆		
17	101BJ114	BOLT	4	☆		
18	218GP149	HEAD WHEEL ASM	1	☆		
19	280GP101	HEAD WHEEL	1	☆		
20	218GS105	SCREW	2	☆		
21	218GD158	DOWN GO TO PARCEL	1	☆		
22	218GD159	SEPARATE PARCEL	1	☆		
23	218GD160	HEAD GO TO PARCEL	1	☆		
24	218GK150	WASHER	2	☆		
25	218GK149	WASHER	1	☆		
26	218GK151	E-RING	1	☆		
27	218GD161	GLISTEN PARCEL	1	☆		
28	217BJ150	THREED TAKE-UP ASM	1	☆		
		THREED TAKE-UP ASM	1		☆	
29	217BJ108	THREED TAKE-UP ASM	1	☆		
		THREED TAKE-UP ASM	1		☆	
30	217GK101	THRUST COLLAR	1	☆		
31	217GS108	SCREW	1	☆		
32	217GK102	BEARING SUPPORT	1	☆		
33	217GU103	BEARING	1	☆		
34	217GZ103	THREED TAKE-UP CRANK SHAFT	1	☆		
35	GS308-8	SCREW	1	☆		
36	280GO102	NEEDLE BAR METAL UPPER	1	☆		
37	GR598-8	NEEDLE ROD HOLDER	1	☆		
38	GS311-8	SCREW	1	☆		
39	GU152-8	SLIDE BLOCK	1	☆		
40	217GO104	NEEDLE BAR METAL LOWER	1	☆		
		NEEDLE BAR METAL LOWER	1		☆	

2, MAIN SHAFT & NEDDLE BAR COMPONENTS

REF.No.	Part No.		Name of the part	Qty.	Light & medium material	Heavy material	Leather
41	GR909-8		NEEDLE BAR THREAD GUIDE	1	☆		
42	217GZ102		NEEDLE BAR	1	☆		
			NEEDLE BAR	1		☆	
43	GS467-8		SCREW	1	☆		
44	GR904-8		NEEDLE BAR THREAD GUIDE	1	☆		
			NEEDLE BAR THREAD GUIDE	1		☆	
45	217GU101		NEEDLE	1	☆		
46	217GC151		BOBBLE WINDER DRIVING WHEEL	1	☆		
47	217GC152		SCREW	2	☆		

3.1 HORIZONTAL FEED & VERTICAL FEED AND HOOK DRIVING SHAFT COMPONENTS (Parallel knife)



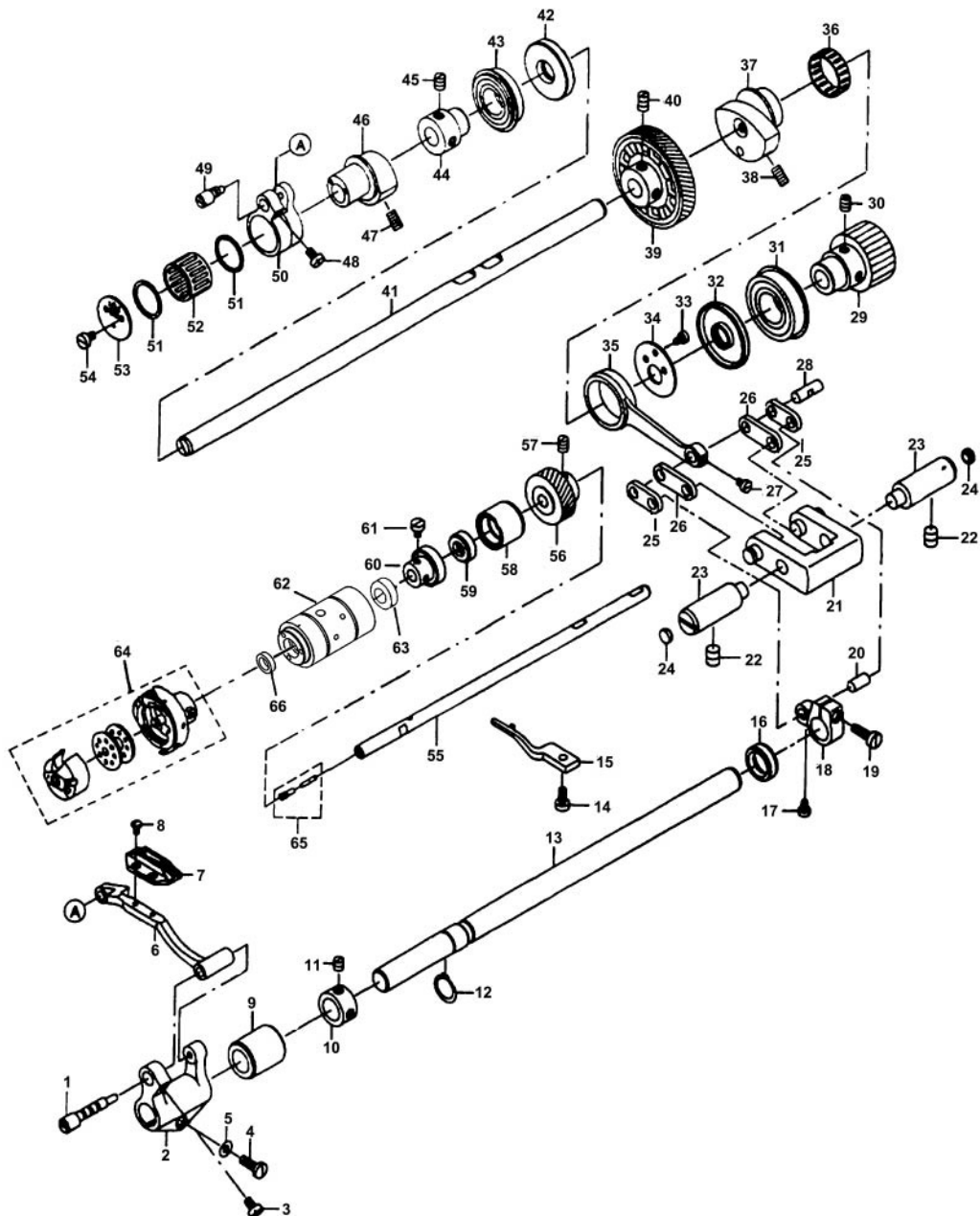
HORIZONTAL FEED & VERTICAL FEED AND 3.1 HOOK DRIVING SHAFT COMPONENTS (Prarallel knife)

REF.No.	Part No.	Name of the part	Qty.	Light & medium material	Heavy material	Leather
1	217GX105	FEED ROCKER BASE SHAFT	1	☆		
2	217GH107	FEED ROCKER BASE ARM	1	☆		
3	GS336-8	SCREW 11/64-40 L=7	1	☆		
4	GS335-8	SCREW 3/18-28 L=14	1	☆		
5	GR646-8	WASHER 4,8x8,4x0,8	1	☆		
6	GM192-8	FEED BASE	1	☆		
		FEED BASE	1		☆	
7	217GH106	FEED DOG	1	☆		
8	GS337-8	SCREW 1/8-44 L=6	2	☆		
9	217GO108	FEED ROCKER SHAFT METAL	1	☆		
10	GR589-8	MAIN SHAFT THRUST COLLAR	1	☆		
11	GS305-8	SCREW 1/4-40 L=6	2	☆		
12	217GK104	BETAINING RING 13.8	1	☆		
13	217GZ105	FEED ROCKER SHAFT METAL	1	☆		
14	GS328-8	SCREW 11/64-40 L=9.5	1	☆		
15	GR631-8	BOBBIN CASE HOLDER	1	☆		
16	217GF104	OIL SEAL	1	☆		
17	GS338-8	SCREW	1	☆		
18	217GH111	FEED ROCKER ARM	1	☆		
19	GS334-8	SCREW 3/16-28 L=15.5	1	☆		
20	GX208-8	WALKING FOOT PIN B	1	☆		
21	217BJ118	ADJUSTING LINK ASM	1	☆		
22	GS316-8	SCREW	2	☆		
23	217GX106	ADJUSTING LINK ASM FULCRUM	2	☆		
24	217GR114	RUBBER PLUG	2	☆		
25	GR640-8	CONNECTING LINK,B	2	☆		
26	217GH110	CONNECTING LINK,A	2	☆		
27	GS333-8	SCREW	1	☆		
28	GX204-8	WALKING FOOT PIN C	1	☆		
29	217GC116	LOWER SPROCKET	1	☆		
30	217GS107	SCREW M6 L=8	2	☆		
31	217GU110	BEARING	1	☆		
32	GS311-8	OIL SEAL	2	☆		
33	217GR115	SCREW 9/64-40 L=6	1	☆		
34	217GH109	FEED ROCKER CAM PLATE	1	☆		
35	217GF103	FEED ROCKER ROD	1	☆		
36	217GU109	NEEDLE BEARING	1	☆		
37	217GT102	FEED ROCKER CAN PLATE	1	☆		
38	GS308-8	SCREW 15/64-28 L=10.5	2	☆		
39	217BJ116	GEAR,LARGE	1	☆		
40	SS-7161040	SCREW 1/4-40 L=10	2	☆		
41	217GZ104	FEED DRIVING SHAFT	1	☆		
42	217GF102	OIL SEAL	1	☆		
43	217GU107	BEARING	1	☆		
44	217GO108	BEARING SUPPORT	1	☆		

**HORIZONTAL FEED & VERTICAL FEED AND
3.1 HOOK DRIVING SHAFT COMPONENTS (Prarallel knife)**

REF.No.	Part No.	Name of the part	Qty.	Light & medium material	Heavy material	Leather
45	GS319-8	SCREW	2	☆		
46	217GT101	FEED DRIVG CAM	1	☆		
		FEED DRIVG CAM	1		☆	
47	GS308-8	SCREW	2	☆		
48	GS336-8	SCREW	1	☆		
49	217GX104	FEED DRIVG BASE SHAFT	1	☆		
50	217GH108	FEED DRIVING BASE ARM	1	☆		
51	217GK103	FEED DRIVING CAM THRUST BU	2	☆		
52	217GU106	BEARING	1	☆		
53	217GR114	FEED DRIVING CAM PLATE	1	☆		
54	GS311-8	SCREW	2	☆		
55	217GZ104	HOOK SHAFT	1	☆		
56	217GC103	GEAR SMALE	1	☆		
57	GS319-8	SCREW	2	☆		
58	217GO112	HOOK SHAFT REAR METAL	1	☆		
59	217GF105	HOOK DRIVING SHAFT OIL SEAL	1	☆		
60	217BJ112	BEARING SUPPORT ASM	1	☆		
61	SS-6110640	SCREW	2	☆		
62	227GO103	HOOK SHAFT MATAL COMPL	1	☆		
63	227GO104	OIL SEAL	2	☆		
64	217BJ110	HOOK ASM	1	☆		
		HOOK ASM	1		☆	
65	227GB150	OIL SEAL SCREW ASM		☆		

3.2 HORIZONTAL FEED & VERTICAL FEED AND HOOK DRIVING SHAFT COMPONENTS (Rotation knife)



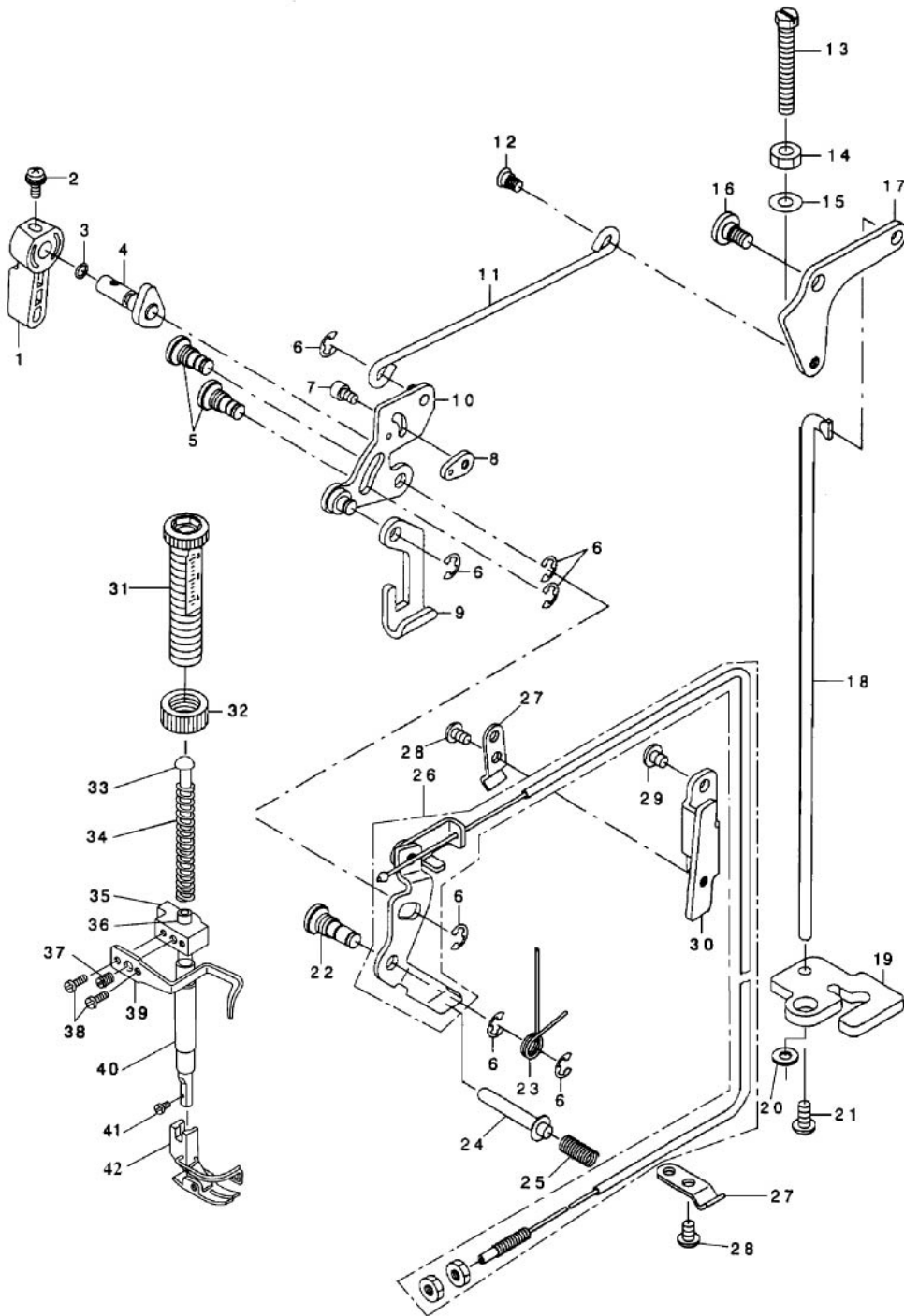
**HORIZONTAL FEED & VERTICAL FEED AND
3.2 HOOK DRIVING SHAFT COMPONENTS (Rotation knife)**

REF.No.	Part No.	Name of the part	Qty.	Light & medium material	Heavy material	Leather
1	217GX105	FEED ROCKER BASE SHAFT	1	☆		
2	217GH107	FEED ROCKER BASE ARM	1	☆		
3	GS336-8	SCREW 11/64-40 L=7	1	☆		
4	GS335-8	SCREW 3/16-28 L=14	1	☆		
5	GR646-8	WASHER 4.8x8.4x0.8	1	☆		
6	GM192-8	FEED BASE	1	☆		
		FEED BASE	1		☆	
7	217GH106	FEED DOG	1	☆		
8	GS337-8	SCREW 1/8-44 L=6	2	☆		
9	281.3-1	FEED ROCKER SHAFT METAL	1	☆		
10	281.3-5	MAIN SHAFT THRUST COLLAR	1	☆		
11	B.2-5	SCREW	2	☆		
12	217GK104	BETAINING RING 13.8	1	☆		
13	281.3-2	FEED ROCKER SHAFT METAL	1	☆		
14	308.3-5	SCREW 11/64-40 L=9.5	1	☆		
15	GC999.2-4	BOBBIN CASE HOLDER	1	☆		
16	217GF104	OIL SEAL	1	☆		
17	GS338-8	SCREW	1	☆		
18	217GH111	FEED ROCKER ARM	1	☆		
19	GS334-8	SCREW 3/16-28 L=15.5	1	☆		
20	GX208-8	WALKING FOOT PIN B	1	☆		
21	217BJ118	ADJUSTING LINK ASM	1	☆		
22	GS316-8	SCREW	2	☆		
23	217GX106	ADJUSTING LINK ASM FULCRUM	2	☆		
24	217GR114	RUBBER PLUG	2	☆		
25	GR640-8	CONNECTING LINK,B	2	☆		
26	217GH110	CONNECTING LINK,A	2	☆		
27	GS333-8	SCREW	1	☆		
28	GX204-8	WALKING FOOT PIN C	1	☆		
29	217GC116	LOWER SPROCKET	1	☆		
30	217GS107	SCREW M6 L=8	2	☆		
31	217GU110	BEARING	1	☆		
32	GS311-8	OIL SEAL	2	☆		
33	217GR115	SCREW 9/64-40 L=6	1	☆		
34	217GH109	FEED ROCKER CAN PLATE	1	☆		
35	217GF103	FEED ROCKER ROD	1	☆		
36	217GU109	NEEDLE BEARING	1	☆		
37	217GT102	FEED ROCKER CAN PLATE	1	☆		
38	GS308-8	SCREW 15/64-28 L=10.5	2	☆		
39	217BJ116	GEAR,LARGE	1	☆		
40	SS-7161040	SCREW 1/4-40 L=10	2	☆		
41	217GZ104	FEED DRIVING SHAFT	1	☆		
42	217GF102	OIL SEAL	1	☆		
43	217GU107	BEARING	1	☆		
44	217GO108	BEARING SUPPORT	1	☆		

3.2 HORIZONTAL FEED & VERTICAL FEED AND HOOK DRIVING SHAFT COMPONENTS (Rotation knife)

REF.No.	Part No.	Name of the part	Qty.	Light & medium material	Heavy material	Leather
45	GS319-8	SCREW	2	☆		
46	217GT101	FEED DRIVG CAM	1	☆		
		FEED DRIVG CAM	1		☆	
47	GS308-8	SCREW	2	☆		
48	GS336-8	SCREW	1	☆		
49	217GX104	FEED DRIVG BASE SHAFT	1	☆		
50	217GH108	FEED DRIVING BASE ARM	1	☆		
51	217GK103	FEED DRIVING CAM THRUST BUSH	2	☆		
52	217GU106	BEARING	1	☆		
53	217GR114	FEED DRIVING CAM PLATE	1	☆		
54	GS311-8	SCREW	2	☆		
55	217GZ104	HOOK SHAFT	1	☆		
56	217GC103	GEAR SMALE	1	☆		
57	GS319-8	SCREW	2	☆		
58	217GO112	HOOK SHAFT REAR METAL	1	☆		
59	217GF105	HOOK DRIVING SHAFT OIL SEAL	1	☆		
60	217BJ112	BEARING SUPPORT ASM	1	☆		
61	SS-6110640	SCREW	2	☆		
62	281.3-3	HOOK SHAFT MATAL COMPL	1	☆		
63	227GO104	OIL SEAL	2	☆		
64	217BJ110	HOOK ASM	1	☆		
		HOOK ASM	1		☆	
65	227GB150	OIL SEAL SCREW ASM		☆		
66	281.3-4	OIL SEAL	1	☆		

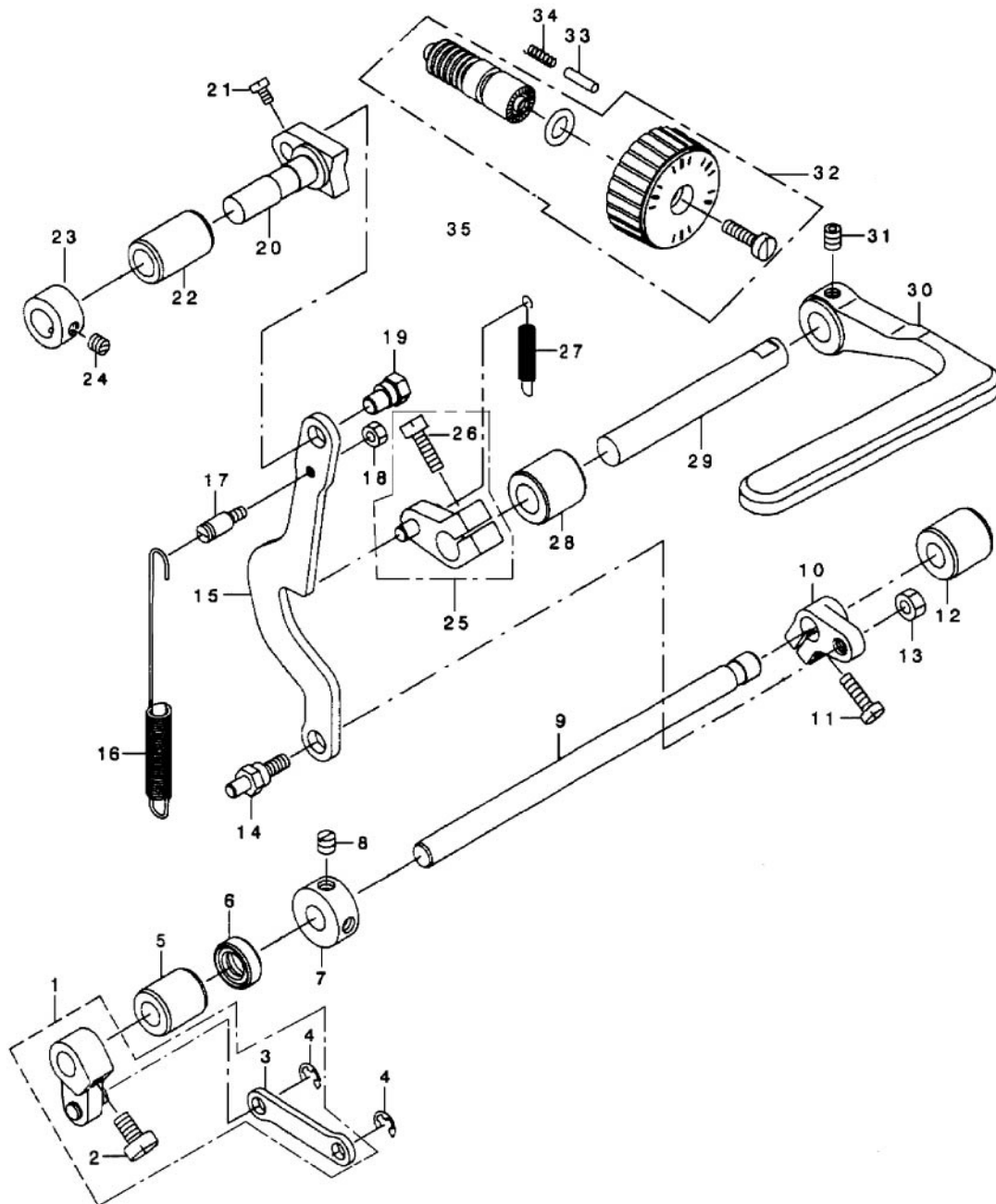
4, HANG LIFTER & TENSION RELEASE COMPONENTS



4, HANG LIFTER & TENSION RELEASE COMPONENTS

REF.No.	Part No.	Name of the part	Qty.	Light & medium material	Heavy material	Leather
1	GR619-8	HAND LIFTER	1	☆		
2	GS322-8	SCREW M4 L=6	1	☆		
3	GR621-8	RUBBER RING	1	☆		
4	280BJ102	HAND LIFTER CAM ASM.	1	☆		
5	GS323-8	LINK SHAFT	2	☆		
6	GR625-8	E-RING	7	☆		
7	217GS116	SCREW M4 L=6	1	☆		
8	217GH119	PLATE	1	☆		
9	GR622-8	LIFTING PLATE	1	☆		
10	217BJ128	LIFTING LINK COMPL	1	☆		
11	217GH117	LIFTING LEVER CONNECT ROD	1	☆		
12	217GS115	HINGE SCREW	1	☆		
13	217GS109	BOLT	1	☆		
14	217GL101	NUT 15/64-28	1	☆		
15	217GK105	WASHER 6.2x13x1	1	☆		
16	217GS112	HING SCREW D=7.24 H=3.3	1	☆		
17	217GH116	LIFTING LEVER LINK	1	☆		
18	217GH115	CONNECTING ROD	1	☆		
19	217GH113	CONNECTING ROD GUIDE	1	☆		
20	217GF106	WASHER 5x10.5x1	1	☆		
21	217GS113	SCREW 3/16-28 L=10	1	☆		
22	GS324-8	TENSION RELEASE SHAFT	1	☆		
23	GW189-8	TENSION RELEASE RETURN SPRING	1	☆		
24	217GX101	TENSION RELEASE SUPPORTING PIN	1	☆		
25	GW185-8	TENSION RELEASE PIN SPRING	1	☆		
26	217BJ126	KNEEL IFTING TENSION RELEASE	1	☆		
27	217GD101	WIRE HOLDER A	1	☆		
28	217GS106	SCREW 11/64-40 L=7	1	☆		
29	217GS110	SCREW 3/16-28 L=6	1	☆		
30	217GD103	WIRE HOLDER BRACKET	1	☆		
31	217GS111	PRESSER SPRING REGULATO	1	☆		
32	GL168-8	NUT	1	☆		
33	280GZ102	PRESSER GUIDE BRAC	1	☆		
34	GW253	PRESSER SPRING	1	☆		
35	280GR103	PRESSER BAR GUIDE BRAC	1	☆		
36	280GZ101	PRESSER BAR	1	☆		
37	SS-5111640	SCREW	1	☆		
38	GS320-8	SCREW	1	☆		
39	280GR104	PRESSER BAR THREAD GUIDE	1	☆		
40	217GD114	BUSHING	1	☆		
41	GS321-8	SCREW 9/64-40 L=10.5	1	☆		
42	GM164/5-8	PRESSER FOOT ASW.	1	☆		
		PRESSER FOOT ASW..	1		☆	

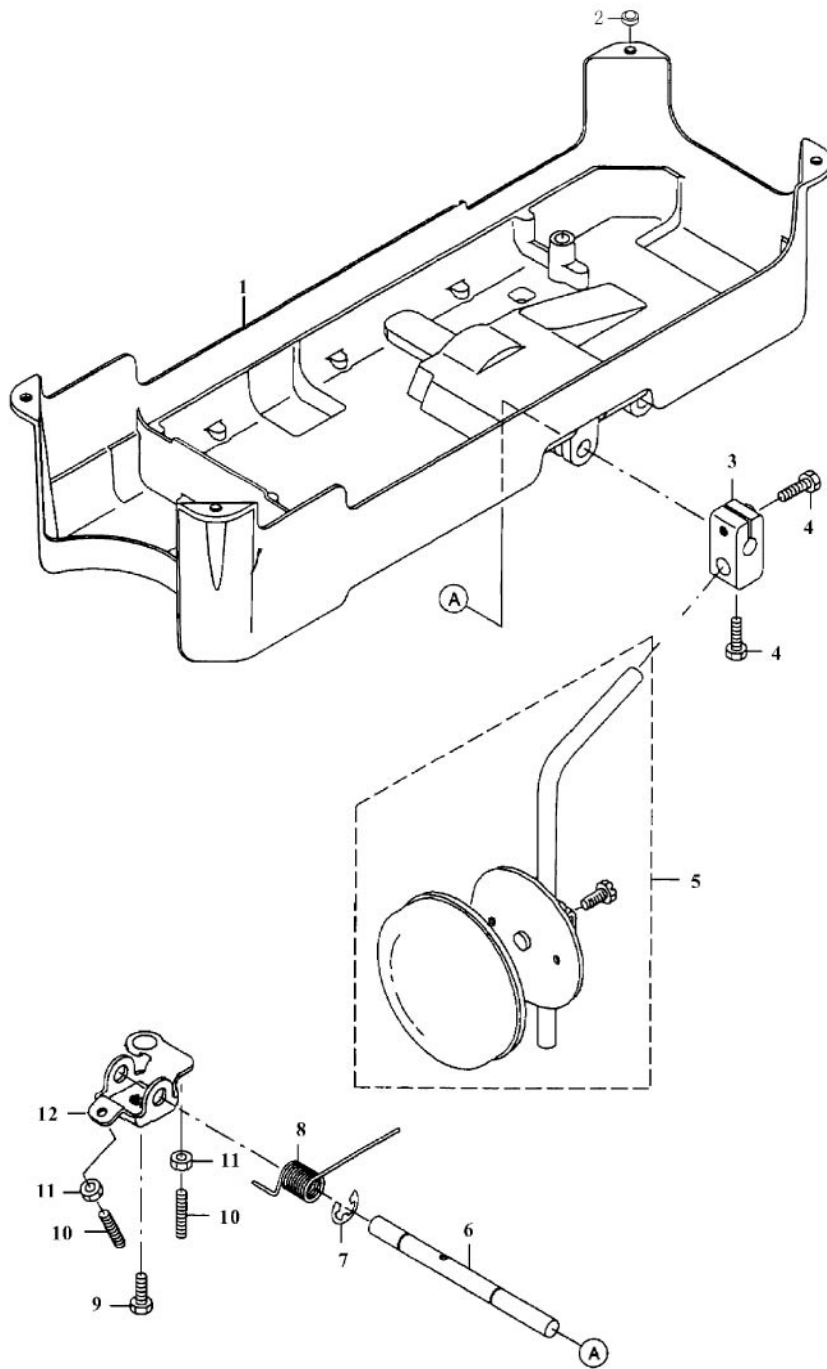
5, FEED ADJUST MECHANISM COMPONENTS



5、FEED ADJUST MECHANISM COMPONETS

REF.No.	Part No.	Name of the part	Qty.	Light & medium material	Heavy material	Leather
1	217BJ131	FEED CHANGING SHAFT ARM.A	1	☆		
2	GS332-8	SCREW 1/4-40 L=11	1	☆		
3	217GH121	ADJUSTING LINK CONNECTING LINK	1	☆		
4	GR625-8	E-RING	1	☆		
5	217GO115	METAL,A	1	☆		
6	217GF107	FEED CHANGING SHAFT OIL SEAL	1	☆		
7	217GK106	THRUST COLLAR	1	☆		
8	GS305-8	SCREW 1/4-40 L=6	2	☆		
9	217GZ106	FEED CHANGING SHAFT	1	☆		
10	217GH124	FEED CHANGING SHAFT ARM,B	1	☆		
11	GS334-8	SCREW 3/16-28 L=15.5	1	☆		
12	217GO116	METAL,B	1	☆		
13	217GL103	NUT 15/64-28	1	☆		
14	217GX111	FEED CHANGING SHAFT ARMB PIN	1	☆		
15	217GH125	FEED ADJUSTING ROD	1	☆		
16	217GW102	FEED ADJUSTING SPRING	1	☆		
17	217GX112	SPRING SUSPENSION	1	☆		
18	217GL104	NUT 11/64-40	1	☆		
19	217GX110	FEED ADJUSTING PIN	1	☆		
20	217GH126	FEED ADJUSTING BASE	1	☆		
21	GS311-8	SCREW 9/64-40 L=6	2	☆		
22	217GO118	ADJUSTING BASE SHAFT METAL	1	☆		
23	217GK107	COLLAR ASM D=11.1 W=10	1	☆		
24	217GS117	SCREW 1/4-40 L=3.0	2	☆		
25	217BJ134	FEED LEVER ARM ASM	1	☆		
26	GS334-8	SCREW 3/16-28 L=15.5	1	☆		
27	217GW101	FEED LEVER SPRING	1	☆		
28	217GO117	FEED LEVER SHAFT METAL	1	☆		
29	217GZ107	FEED LEVER SHAFT	1	☆		
30	217GH120	FEED LEVER	1	☆		
31	217GS107	SCREW M6 L=8	2	☆		
32	217BJ129	FEED DIAL ASM	1	☆		
33	GX211-8	PIN	1	☆		
34	GW191-8	SPRING	1	☆		

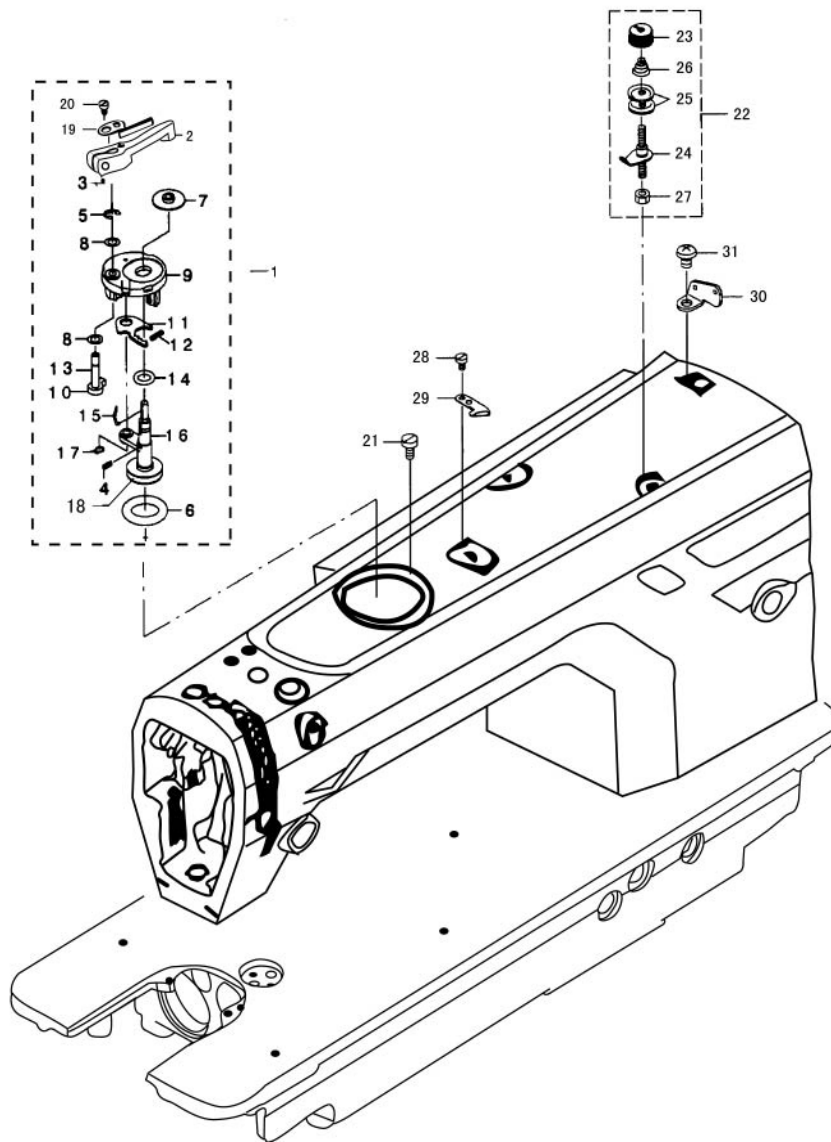
6, UNDER COVER COMPONENTS



6, UNDER COVER COMPONENTS

REF.No.	Part No.		Name of the part	Qty.	Light & medium material	Heavy material	Leather
1	217GR116		UNDER COVER	1	☆		
2	GR683-8		HEAD GASK	1	☆		
3	GR689-8		BRACKET	1	☆		
4	GS358-8		SCREW	2	☆		
5	GR690-8		KNEE PAD PLATE	1	☆		
6	217GZ108		KNEE PRESS ROD	1	☆		
7	GR688-8		E-RING	1	☆		
8	217GW103		SPRING	1	☆		
9	GS356-8		SCREW	1	☆		
10	GS357-8		SCREW	2	☆		
11	GL170-8		NUT M6	2	☆		
12	217GH130		BRACKET	1	☆		

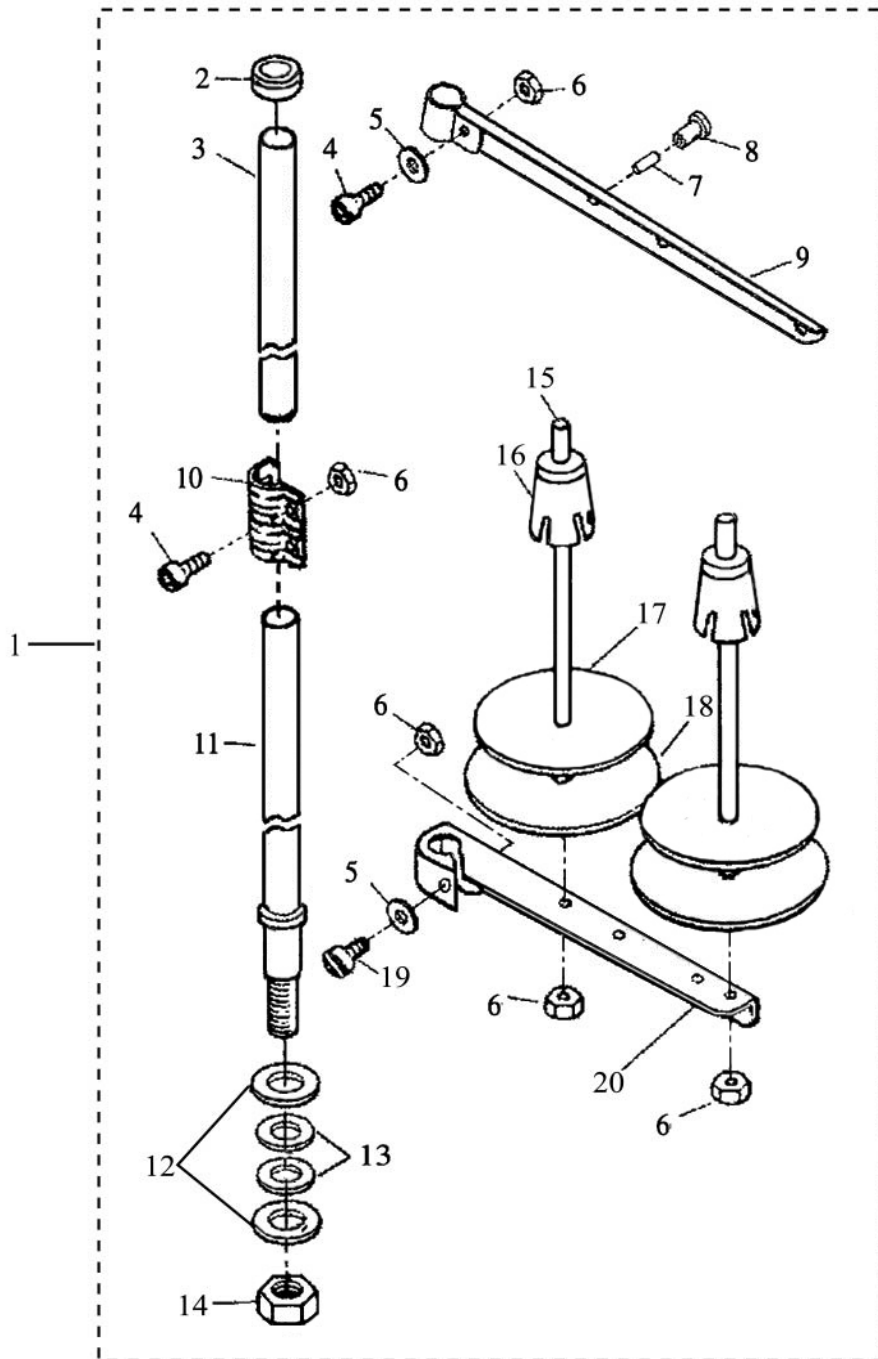
7. BOBBIN WINDER COMPONENTS



7, BOBBIN WINDER COMPONENTS

REF.No.	Part No.	Name of the part	Qty.	Light & medium material	Heavy material	Leather
1	280BJ103	BOBBIN DEVICE ASM.	1	☆		
2	280GB103	BOBBIN LEVER	1	☆		
3	501GS109	SCREW	1	☆		
4	101GW102	PRESSUR FOOT SPRING	1	☆		
5	501GK105	E-RING	1	☆		
6	101GF115	RING	1	☆		
7	501GK102	CUSHION	1	☆		
8	501GK104	WASHER	1	☆		
9	501BJ102	BOBBIN FITTING BASIS COMPL.	1	☆		
10	GR2058-8	BOBBIN CAM SHAFT COMPL.	1	☆		
11	501GB112	ADJUSTING PLATE	1	☆		
12	501GW101	SPRING	1	☆		
13	GR2059-8	BOBBIN CAM SHAFT COMPL.	1	☆		
14	501GF110	RUBBER RING	1	☆		
15	501GW103	LATCH SPRING	1	☆		
16	280GZ102	BOBBIN WINDER SHAFT COMPL.	1	☆		
17	501GK105	RETAINING RING	1	☆		
18	OO4535	SCREW	1	☆		
19	280GB102	PLATE	1	☆		
20	280GS101	SCREW	1	☆		
21	101GS120	SCREW	3	☆		
22	501BJ103	BOBBIN THREAD TENSION ASM.	1	☆		
23	GL236-8	THREAD TENSION NUT	1	☆		
24	501GW104	THREAD TENSION SPRING	1	☆		
25	501GB101	BOBBIN WINDER TENSION DISC	2	☆		
26	501BJ104	BOBBIN THREAD TENSION ROD ASM.	1	☆		
27	501GL104	NUT	1	☆		
28	101GS119	SCREW	2	☆		
29	501GB107	THREAD CUTTER	1	☆		
30	501GB103	THREAD GUIDE PLATE	1	☆		
31	501GS101	SCREW	1	☆		

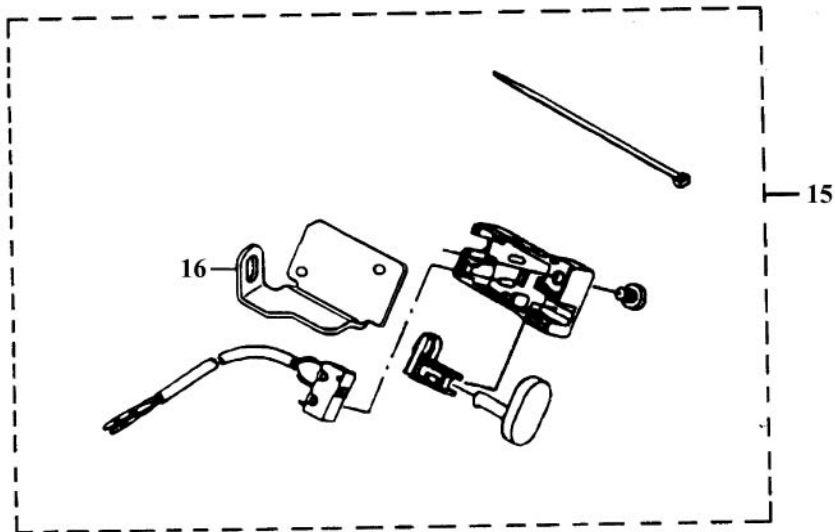
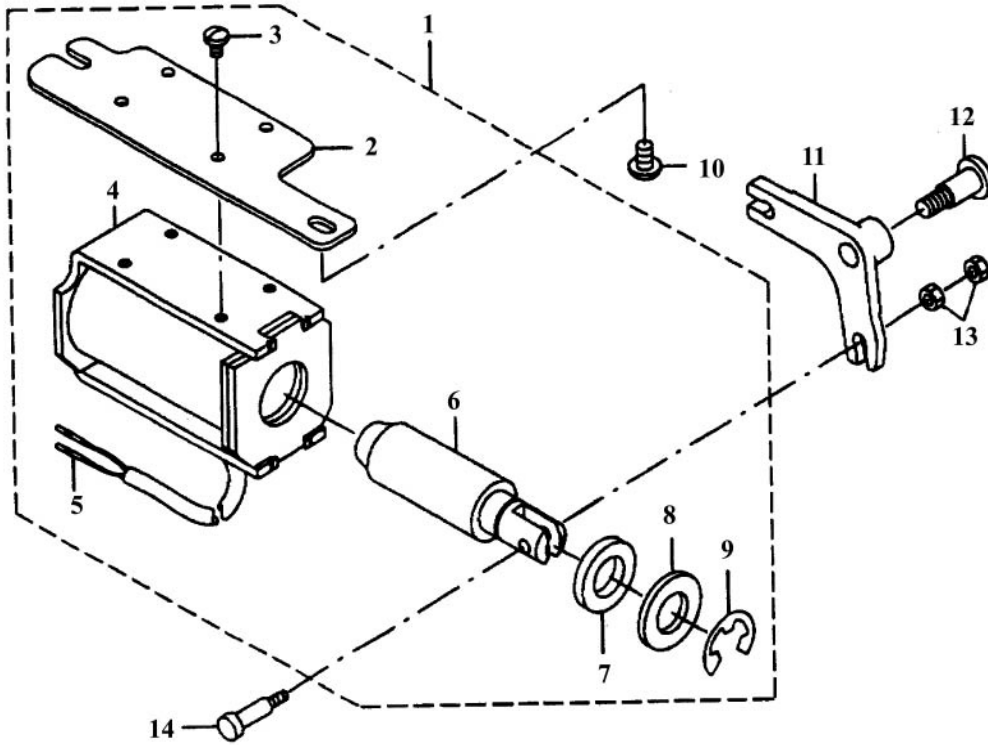
8, THREAD STAND COMPONENTS



8, THREAD STAND COMPONENTS

REF.No.	Part No.		Name of the part	Qty.	Light & medium material	Heavy material	Leather
1	XJ2.00		THREAD STAND ASM.		☆		
2	XJ2.02-02		COLUMN CAP	1	☆		
3	XJ2.02-01		COLUMN PIPE (UPPER)	1	☆		
4	GB/T973-76M5X14		SCREW	2	☆		
5	GB97.1-85-5		WASHER	2	☆		
6	GB6170-86 M5		NUT	5	☆		
7	XJ2.01-02		THREAD GUIDE PIPE	1	☆		
8	XJ2.01-03		THREAD GUIDE BUSHING	1	☆		
9	XJ2.01-01		THREAD HANGER (2 SPOOLS TUPE)	1	☆		
10	XJ2.03-01		COLUMN PIPE CONNECTOR	1	☆		
11	XJ2.05-03		COLUMN PIPE (LOWER)	1	☆		
12	XJ2.05-01		WASHER	2	☆		
13	XJ2.05-04		WASHER	2	☆		
14	GB6170-86 M5		NUT	1	☆		
15	XJ2.06-04		SPOOL PIN	2	☆		
16	XJ2.06-03		SPOOL CUSHION	2	☆		
17	XJ2.06-02		SOFT CUSHION OF THREAD PLARE	2	☆		
18	XJ2.06-01		THREAD PLATE	2	☆		
19	GB/T973-76M5X30		SCREW	1	☆		
20	XJ2.04-01		THREAD HANGER (LOWER)	1	☆		

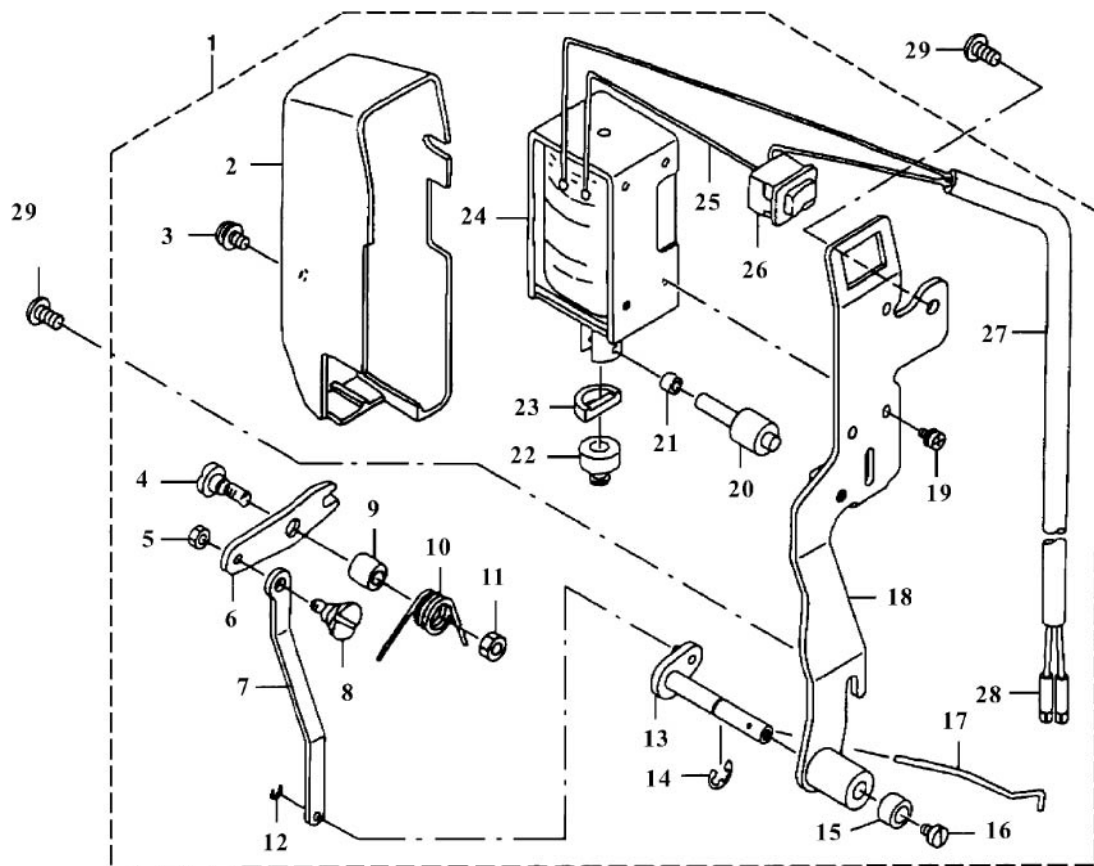
9. AUTOMATIC REVERSE FEED COMPONENTS



9, AUTOMATIC REVERSE FEED COMPONENTS

REF.No.	Part No.	Name of the part	Qty.	Light & medium material	Heavy material	Leather
1	217GD111	REVERSE FEED SOLENOID BASE ASM	1	☆		
2	217GD112	REVERSE FEED SOLENOID BASE ASM	1	☆		
3	217GS180	SCREW 11/64-40 L=7	4	☆		
4	217GD113	REVERSE FEED SOLENOID BASE ASM	1	☆		
5	217GD150	PIN CONTACT	2	☆		
6	217GD151	REVERSE FEED SOLENOID PLUNGER	1	☆		
7	217GK150	RUBBER PLUNGER	1	☆		
8	217GK151	WASHER 17x30x3	1	☆		
9	217GK152	E-RING 12	1	☆		
10	217GS101	SCREW 15/64-28 L=9	2	☆		
11	217GH131	REVERSE FEED ARM	1	☆		
12	217GS119	HINGE SCREW D=9.53 H=15	2	☆		
13	217GL150	NUT 11/64-40	1	☆		
14	217GX152	PLUNGER ARM PIN	1	☆		
15	280BJ104	OPTION SWITCH ASM	1	☆		
16	280GK101	REVERSE FEED SWITCH BASE	1	☆		

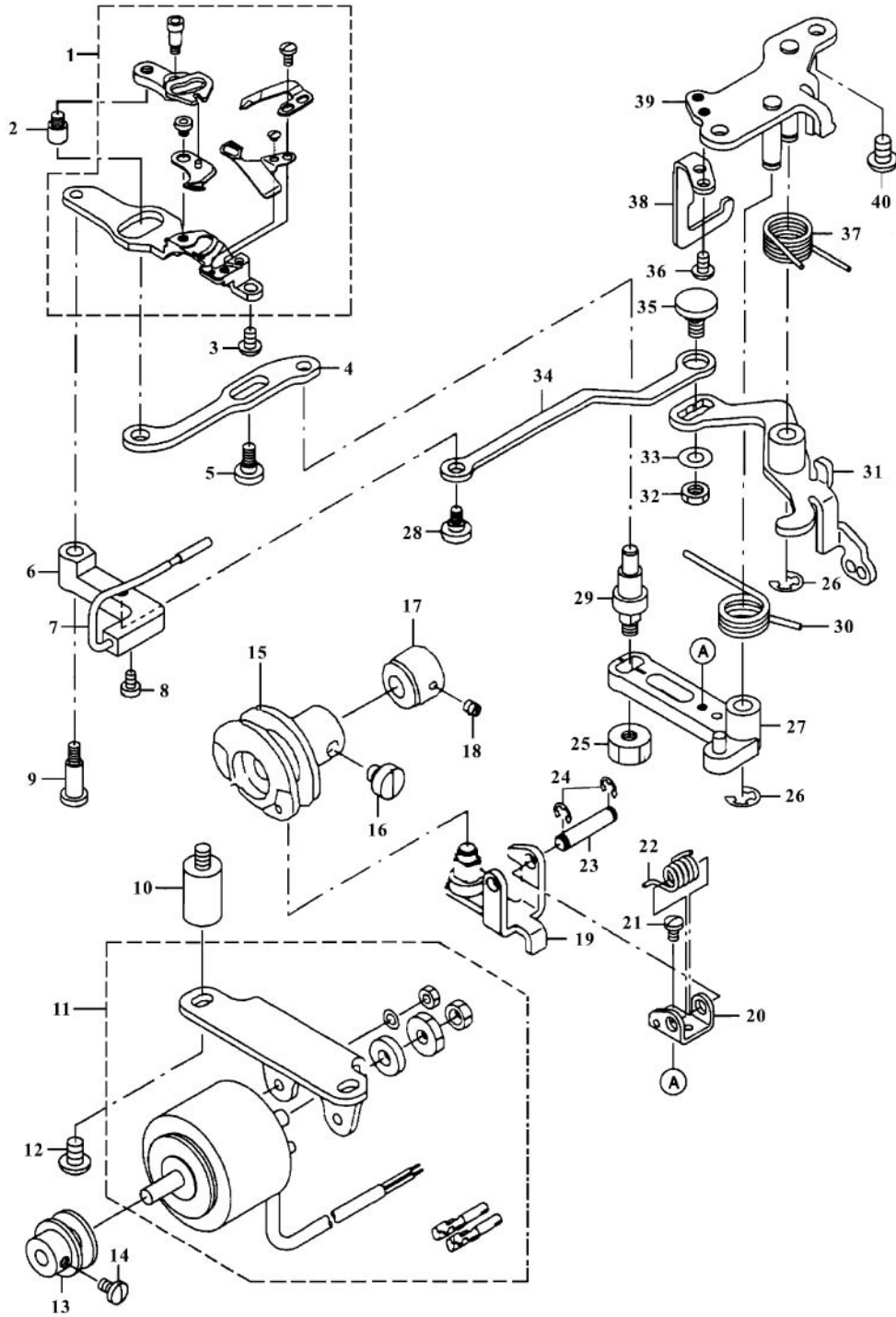
10, WIPER COMPONENTS



10, WIPER COMPONENTS

REF.No.	Part No.	Name of the part	Qty.	Light & medium material	Heavy material	Leather
1	217GD124	WIPER ASM.	1	☆		
2	GR1070-8	WIPER COVER	1	☆		
3	GB818-85 M3X6	SCREW M3	1	☆		
4	GS532-8	HINGE SCREW D=6.5 H=3.0	1	☆		
5	GL186-8	NUT 9/64-40	1	☆		
6	GR1081-8	WIPER LINK A	1	☆		
7	217GD125	WIPER LINK B	1	☆		
8	GS531-8	WIPER LINK B, HINGE SCREW	1	☆		
9	GO375-8	WIPER HINGE SCREW COLLAR	1	☆		
10	GW240-8	WIPER SPRING	1	☆		
11	GL185-8	NUT 11/64-40	1	☆		
12	GR1072-8	E-RING 2.5	1	☆		
13	217GD131	WIPER SHAFT ASM.	1	☆		
14	GR625-8	E-RING	1	☆		
15	GO374-8	BRACET INSTALLING COLLAR	1	☆		
16	GS530-8	SCREW 9/64-40 L=5.0	1	☆		
17	GR1071-8	WIPER	1	☆		
18	217GD129	WIPER BASE ASM.	1	☆		
19	217GK108	SCREW	3	☆		
20	GX258-8	WIPER SOLENOID PIN	1	☆		
21	GO376-8	WIPER LINK COLLAR	1	☆		
22	GR1073-8	WIPER RUBBER A	1	☆		
23	GR1074-8	WIPER RUBBER B	1	☆		
24	217GD128	WIPER SOLENOID	1	☆		
25	217GD150	ELECTRIC WIRE	2	☆		
26	217GD126	POWER SWITCH	1	☆		
27	217GD151	2-CORD CABTYRE CORD	1	☆		
28	217GD152	PIN CONTACT	2	☆		
29	GS300-8	SCREW 3/16-28 L=9	2	☆		

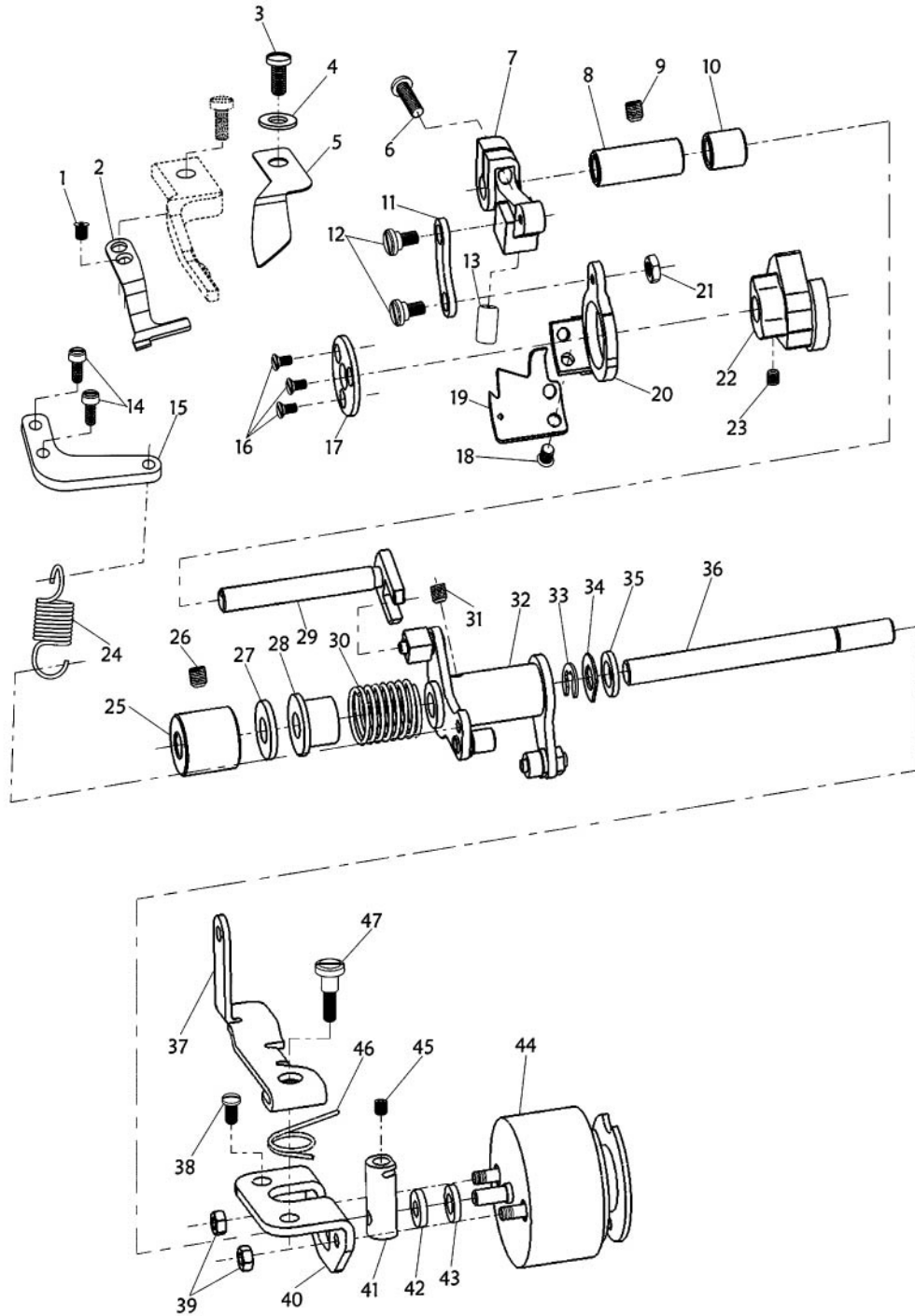
11.1 THREAD TRIMMER COMPONENTS (Parallel knife)



11.1 THREAD TRIMMER COMPONENTS (Parallel knife)

REF.No.	Part No.	Name of the part	Qty.	Light & medium material	Heavy material	Leather
1	217GD109	KNIFE UNIT	1	☆		
	282. 8. 1	KNIFE UNIT	1		☆	
2	217GX113	PIN	1	☆		
3	GS340-8	SCREW 11/64-40 L=7	1	☆		
4	217GH132	HOVING KNIFE LINK	1	☆		
5	217GS123	HINGE SCREW D=6 H=3.2	1	☆		
6	217GD136	PICKER ARM	1	☆		
7	217GD138	THREAD TAKE-UP PICKER ASM	1	☆		
8	GS333-8	SCREW	1	☆		
9	GX254-8	HINGE SCREW D=6.35 H=3	1	☆		
10	217GS120	BEIT COVER SUPPORT B	2	☆		
11	217GD121	SOLENOID ASM.	1	☆		
12	217GS101	SCREW 15/64-28 L=9	2	☆		
13	217GP102	DRIVING BLOOK	1	☆		
14	217GS124	SCREW 11/64 L=7	1	☆		
15	GT165-8	THREAD TRIMMER CAM ASM	1	☆		
16	GS305-8	SCREW 1/4-40 L=6	2	☆		
17	GO360-8	CAM COLLAR ASM.	1	☆		
18	GS330-8	SCREW 11/64-40 L=4.5	2	☆		
19	217GB160	PICKER LINK	1	☆		
20	GR1058-8	ROLLER ARM BRACKET	1	☆		
21	GS33	SCREW 9/64-40 L=6	1	☆		
22	GW239-8	ROLLER RETURN SPRING	1	☆		
23	GX256-8	ROLLER FULCRUM SHAFT	1	☆		
24	GR1028-8	E-RING 4	2	☆		
25	217GL106	NUT 15/64-28	1	☆		
26	GR1053-8	E-RING 6	2	☆		
27	217GH134	KNIEE DRIVING ARM ASM	1	☆		
28	GS522-8	HINGE SCREW D=6.35 H=2.7	1	☆		
29	217GX114	MOVING KNIFE LINK PIN	1	☆		
30	GW237-8	DNIFE RETURN DPRING,B	1	☆		
31	217GD118	CLUTCH PLATE ASM.	1	☆		
32	GL182-8	NUT 15/64-28	1	☆		
33	GO366-8	WASHER	1	☆		
34	217GH133	PICKER LINK	1	☆		
35	GX254-8	PICKER LINK PIN	1	☆		
36	GS336-8	SCREW 11/64-40 L=7	2	☆		
37	217GW104	CLUTCH SPRING	1	☆		
38	217GR117	DRIVING ARM STOPPER	1	☆		
39	217GD115	BASE PLATE ASM.	1	☆		
40	217GS101	SCREW 15/64-28 L=9	2	☆		

11.2 THREAD TRIMMER COMPONENTS (Rotation knife)



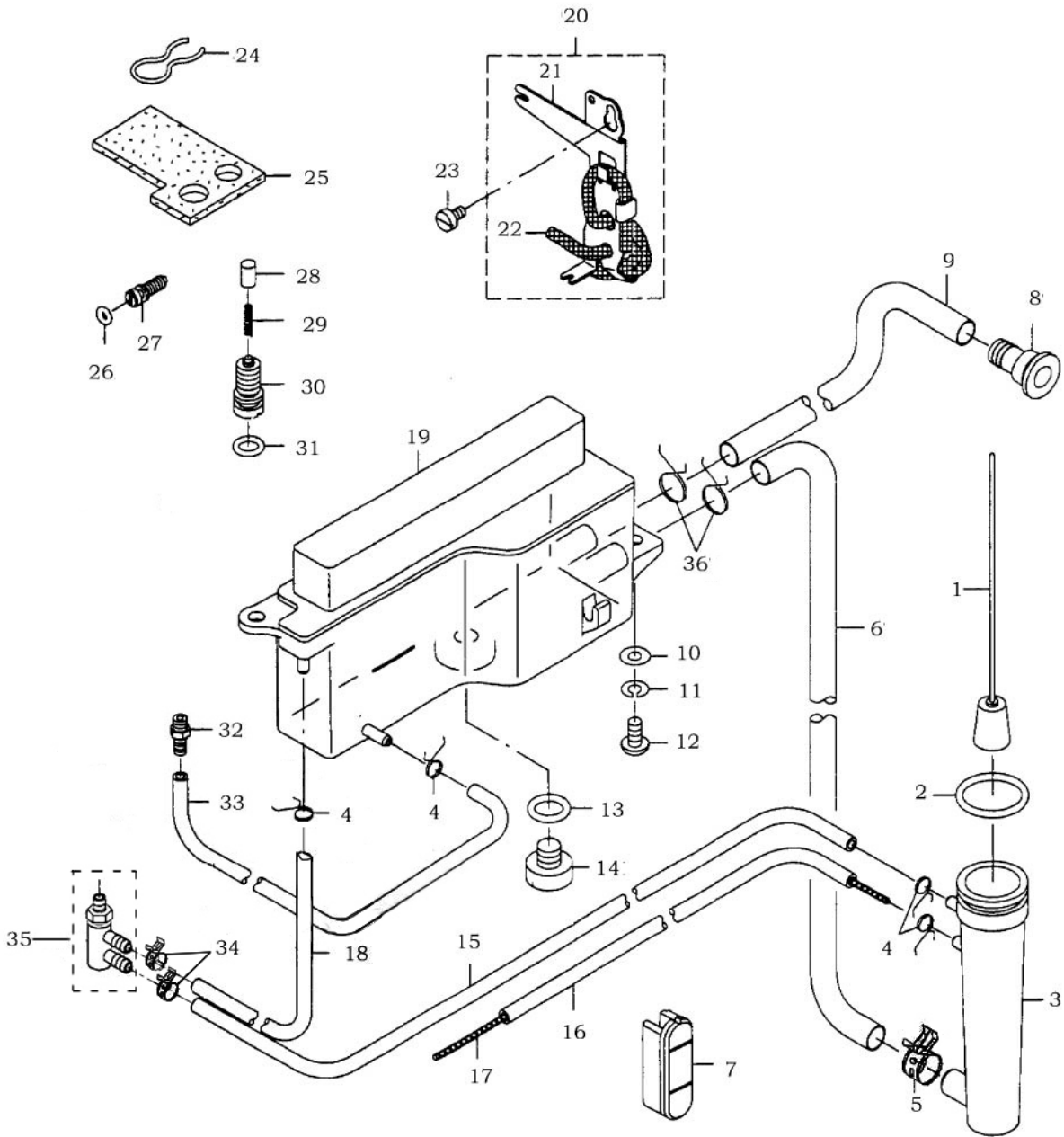
11.2 THREAD TRIMMER COMPONENTS (Rotation knife)

REF.No.	Part No.	Name of the part	Qty.	Light & medium material	Heavy material	Leather
1	220.5-4	SCREW	1	☆		
2	220.5-3	CONNTER KNIFE	1	☆		
3	GC999.2-5	SCREW	1	☆		
4	220.5-26	WASHER	1	☆		
5	220.5-5	DISPART THREAD SHUTTLE	1	☆		
6	205.1.5-3	SCREW	1	☆		
7	281.8-8	TRIMMING CRANK	1	☆		
8	281.8-5	BUSHING	1	☆		
9	B.2-5	SCREW	1	☆		
10	281.8-6	SHORT BUSHING	1	☆		
11	281.8-2	KNIFE SHAFT CRACK ROD	1	☆		
12	220.5-10	SCREW	2	☆		
13	281.8-9	BLOCK	1	☆		
14	B.1-27	SCREW	2	☆		
15	281.8-12	FIXED PLANK	1	☆		
16	B.5-55	SCREW	3	☆		
17	281.8-3	KNIFE HOLDER	1	☆		
18	220.5-8	SCREW	2	☆		
19	220.5-7	ROUND KNIFE	1	☆		
20	281.8-1	ROUND KNIFE BRACKET	1	☆		
21	220.5.2-4	NUT	1	☆		
22	220.5-1	THREAD TRIMMER CAM	1	☆		
23	201.2.8-3	SCREW	2	☆		
24	281.8-11	SPRING	1	☆		
25	281.8-4	BUSHIG	1	☆		
26	B.2-5	SCREW	1	☆		
27	281.8-10	WASHER	1	☆		
28	220.5-19	SPRING CVER	1	☆		
29	281.8-7	TRIMMING CRANK SHAFT	1	☆		
30	220.5-20	SPRING	1	☆		
31	220.5-17	SCREW	1	☆		
32	281.8.1	TRIMMING CAM CRANK ASM.	1	☆		
33	GB/T896-86-5	WASHER	1	☆		
34	281.8-13	WASHER	1	☆		
35	220.5-21	WASHER	1	☆		
36	220.5-18	TRIMMING SHAFT	1	☆		
37	281.8-14	LOOSING PLATE	1	☆		
38	220.5-22	SCREW	1	☆		
39	GB6170-86M4	NUT	2	☆		
40	281.8.2-1	SOLENOID BASE	1	☆		
41	281.8.2-2	SOLENOID CONNECTING SHAFT	1	☆		
42	220.5.3-3	SCREW	1	☆		
43	220.5.3-2	SCREW	1	☆		
44	220.5.3.1	THREAD TRIMMER SOLENOID	1	☆		

11.2 THREAD TRIMMER COMPONENTS (Rotation knife)

REF.No.	Part No.		Name of the part	Qty.	Light & medium material	Heavy material	Leather
45	201.5.9-2		SCREW	1	☆		
46	220.5-37		SPRING	1	☆		
47	220.5-23		SCREW	1	☆		

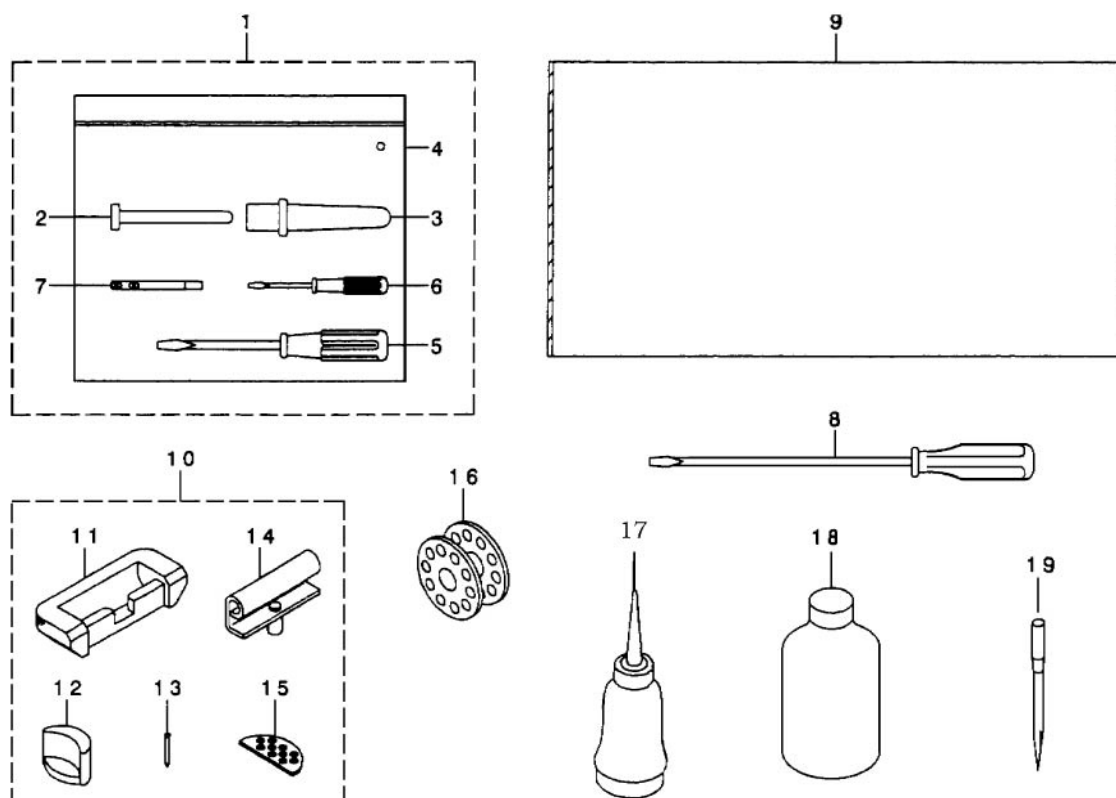
12. OIL LUBRICATION COMPONENTS



12, OIL LUBRICATION COMPONENTS

REF.No.	Part No.	Name of the part	Qty.	Light & medium material	Heavy material	Leather
1	101BJ139	FLOATER ASM.	1	☆		
2	101GF127	RUBBER RING	1	☆		
3	101GB189	FLOATER CASE	1	☆		
4	101GW118	PIPE STOPPER A	4	☆		
5	280. 12-1	PIPE STOPPER B	3	☆		
6	227GB108	VINYL TUBE, WHITE	1	☆		
7	101GR108	OIL SIGHT WINDOW	1	☆		
8	101GB180	OIL INLE	1	☆		
9	227GB107	VINYL TUBE, WHITE	1	☆		
10	227GB118	WASHER	1	☆		
11	227GB119	SPRING WASHER	2	☆		
12	GS300-8	SCREW	2	☆		
13	101GF128	RUBBER RING	2	☆		
14	101GS175	SCREW	1	☆		
15	227GB114	TUBE	1	☆		
16	227GB110	TUBE	1	☆		
17	227GB113	OIL WICK	1	☆		
18	227GB114	TUBE	1	☆		
19	227GB101	OIL TANK ASM	1	☆		
20	227GB104	OIL WICK SUPPORT ASM	1	☆		
21	227GB105	OIL WICK SUPPORT	1	☆		
22	227GB106	OIL WICK	1	☆		
23	227GB107	SCREW	1	☆		
24	GR678-8	OIL FELT PRESSER	1	☆		
25	GR676-8	OIL RETURN FELT	1	☆		
26	227GB117	RUBBER RING	1	☆		
27	227GB116	OIL ADJUSTING SCREW	1	☆		
28	101GX116	PLUNGER	1	☆		
29	101GW112	PLUNGER SPRING	1	☆		
30	101GS159	PLUNGER SCREW	1	☆		
31	101GF122	RUBBER RING	1	☆		
32	101GB178	LUBRICATION CONNECTOR	2	☆		
33	227GB107	TUBE	1	☆		
34	280. 12-2	PIPE STOPPER A	4	☆		
35	101GB172	DISTRIBUTOR	1	☆		
36	101GW119	PIPE STOPPER B	3	☆		

13. ACCESSORIE PART COMPONENTS



13 , ACCESSORIE PART COMPONENTS

REF.No.	Part No.		Name of the part	Qty.	Light & medum material	Heavy material	Leather
1	217GB190		ACCESSORIE BAG ASM	1	☆		
2	217GH128		KNEE LIFTER PRESSER ROD	1	☆		
3	GR1123-8		FRAME SUPPORT BAR	1	☆		
4	GF216-8		ACCESSORIE BAG	1	☆		
5	GR701-8		SCREW DRIVER, MIDDLE	1	☆		
6	GR702-8		SCREW DRIVER, SMALE	1	☆		
7	GR610/S-8		NEEDLE THREAD GUIDE ASM	1	☆		
8	GR700-8		SCREW DRIVER, LARGE	1	☆		
9	101GR111		FRAMEVINYL COVER	1	☆		
10	GF215-8		RUBBER HINGE ASM	1	☆		
11	GR697-8		RUBBER CUSHION	2	☆		
12	GR687-8		OIL RESERVIOIR SEAT	2	☆		
13	GBX141-8		NAIL	6	☆		
14	GR696/2-8		HINGE COMPL	2	☆		
15	GR686-8		OIL RESERVIOIR CUSHION	2	☆		
16	GN139-8		BOBBIN	3	☆		
17	201-2630		OILER ASM	1	☆		
18	GR703/3-8		OIL BOTTLE WITH OIL	1	☆		
19	GV132-8		NEEDLE	1	☆		



Dealer:

--