

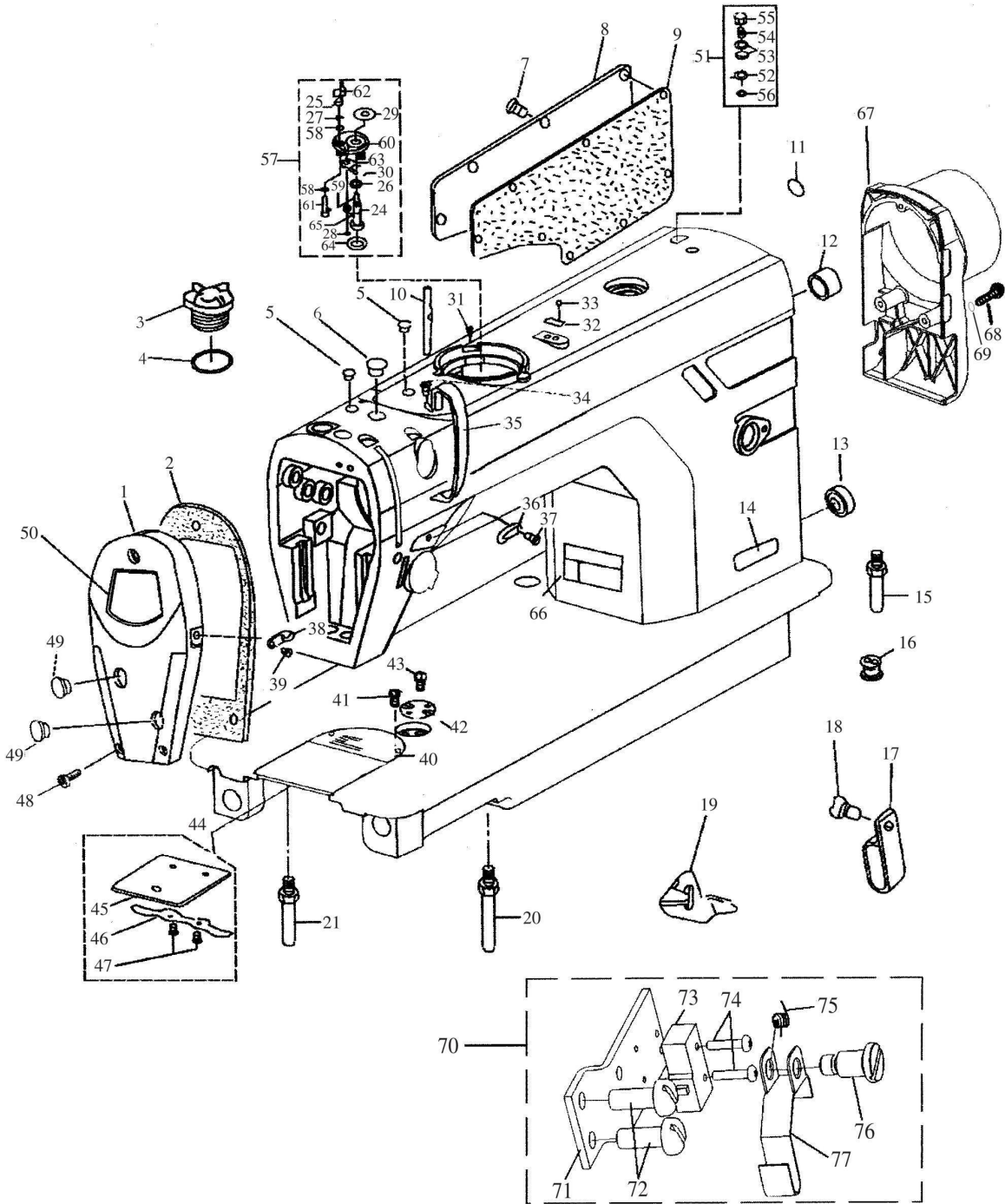
Parts book
for high speed lockstitch machine
with built-in energy saving motor

Silence Matic



 *texi*

1, MACHINE FRAME&MISCELLANEOUS COVER COMPONENTS



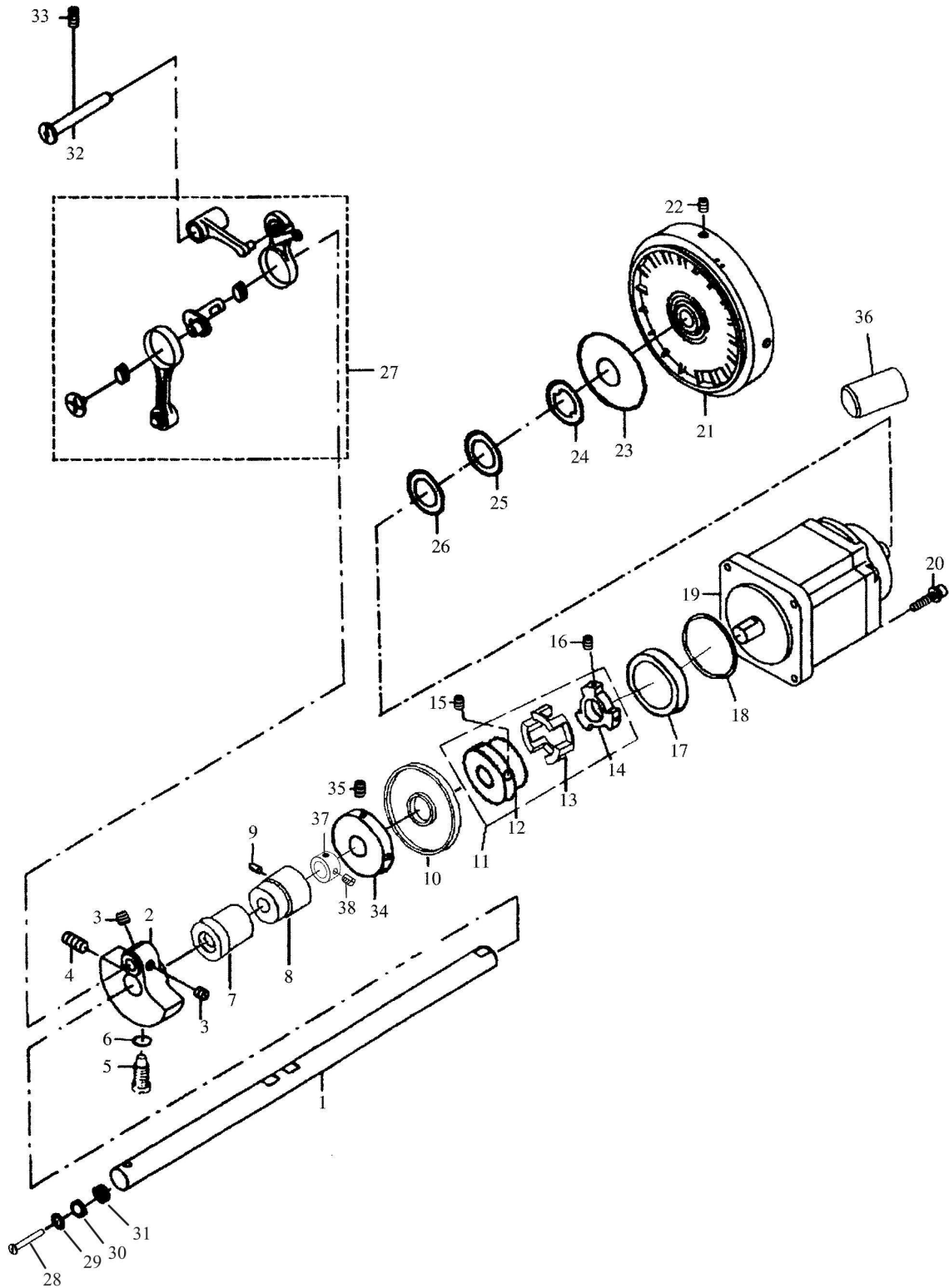
1, MACHINE FRAME&MISCELLANEOUS COVER COMPONENTS

Ref.No.	Part No.	Description	QTY
1	Z-91-118019-75-001	FACE PLATE	1
2	Z-91-118020-95	FACE PLATE GASKET	1
3	Z-91-116013-05	OIL WINDOW	1
4	Z-91-116012-75-004	THRUST COLLAR ASM.	1
5	Z-91-116010-75-004	RUBBER PLUG	2
6	Z-91-116009-75-004	RUBBER PLUG	1
7	Z-91-116003-15	SCREW 3/16-28 L=9	8
8	Z-91-119641-75-001	SIDE PLATE	1
9	Z-91-119642-75-004	SIDE PLATE GASKET	1
10	Z-91-119305-35	NEEDLE THREAD GUIDE PIN	1
11		EARTHING INDICATION PLAT	1
12	Z-91-116018-75-004	RUBBER PLUG	1
13	Z-91-116022-75-004	RUBBER PLUG	1
14	Z-91-118002-95	MODEL PLATE	1
15	Z-91-116023-15	BED SCREW STUD	2
16	Z-91-118022-75-004	NEEDLE BEARING	1
17	Z-91-119410-45	CORD HOLDER	1
18	Z-91-116003-15	SCREW	1
19	Z-91-118023-35	CORD HOLDER	1
20	Z-91-118027-15	BED SCREW STUD	1
21	Z-91-118023-15	BED SCREW STUD	1
24	Z-91-116837-05	BOBBIN WINDER SHAFT COMPLE	2
25	Z-94-172112-15	SCREW	1
26	Z-91-171015-75-004	O-RING	1
27	Z-12-606004-15	E-RING	1
28	Z-12-602002-15	RETAINING RING	1
29	Z-91-171014-05	CUSHING	1
30	Z-91-71012-15	SHORT SPRING	1
31	Z-91-120245-25	SCREW	3
32	Z-91-119641-75-001	THREAD CUTTER	1
33	Z-91-145377-15	SCREW	2
34	Z-91-116015-15	SCREW 3/16-28 L=9	1
35	Z-91-119648-75-001	THREAD TAKE-UP LEVER COVER	1
36	Z-91-116008-35	ARM THREAD GUIDE RIGHT	1
37	Z-91-116006-15	SCREW 11/64-40 L=6	1
38	Z-91-116007-35	ARM THREAD GUIDE LEFT	1
39	Z-91-116006-15	SCREW 11/64-40 L=6	1
40	Z-91-117002-35	NEEDLE PLATE	1
41	Z-91-119412-15	SCREW	2
42	Z-91-116714-35	RULER PLATE	1

1, MACHINE FRAME&MISCELLANEOUS COVER COMPONENTS

Ref.No.	Part No.	Description	QTY
43	Z-91-116715-35	SCREW	2
44	Z-91-116036-91	SLIDE PLATE ASM.	1
45	Z-91-116037-35	SLIDE PLATE	1
46	Z-91-116038-25	SPRING OF SLIDE PLATE	1
47	Z-91-116039-25	SCREW	2
48	Z-91-116003-15	SCREW 3/16-28 L=9	3
49	Z-91-116005-75-004	RUBBER PLUG D=12.5 L=4	2
50	Z-91-119640-95	PLATE	1
51	Z-91-117401-91	BOBBIN THREAD TENSION ASM.	1
52	Z-91-171027-31	BOBBIN THREAD TENSION ASM.	1
53	Z-91-171033-05	THREAD TENSION DISK	2
54	Z-91-171032-35	THREAD TENSION SPRING	1
55	Z-91-119654-75-002	THREAD TENSION NUT	1
56	Z-91-171034-15	NUT	1
57	Z-91-116830-91	BOBBIN WINDER ASM.	1
58	Z-91-171019-05	WASHER	2
59	Z-91-157076-35	LATCH SPRING	1
60	Z-91-171006-91	BOBBIN FITTING BASIS COMPL	1
61	Z-91-116831-15	BOBBIN WINDER REGULATOR	1
62	Z-91-172111-05	BOBBIN LEVER	1
63	Z-91-171013-35	ADJUSTING PLATE	1
64	Z-91-159091-75-004	RUBBER RING	1
65	Z-91-171010-15	LONG SPRING	1
66	Z-91-116014-95	SAFETY-INDICATING PLATE	1
67	Z-91-118096-75-002	PULLEY COVER	1
68	Z-91-133451-15	SCREW	3
69	Z-12-306003-15	WASHER	1
70	Z-91-118029-91	SAFETY SWITCH ASM.	(1)
71	Z-91-118030-15	SAFETY SWITCH PLATE	(2)
72	Z-91-116174-15	SCREW	(1)
73	Z-71-29-000002	SAFETY SWITCH CORS ASM.	(2)
74	Z-11-104021-15	SCREW	(1)
75	Z-91-118021-15	SAFETY SWITCH SPRING	(1)
76	Z-91-117299-15	SAFETY SWITXH ARM · SHAFT	(1)
77	Z-91-118031-15	SAFETY SWITCH BASH	

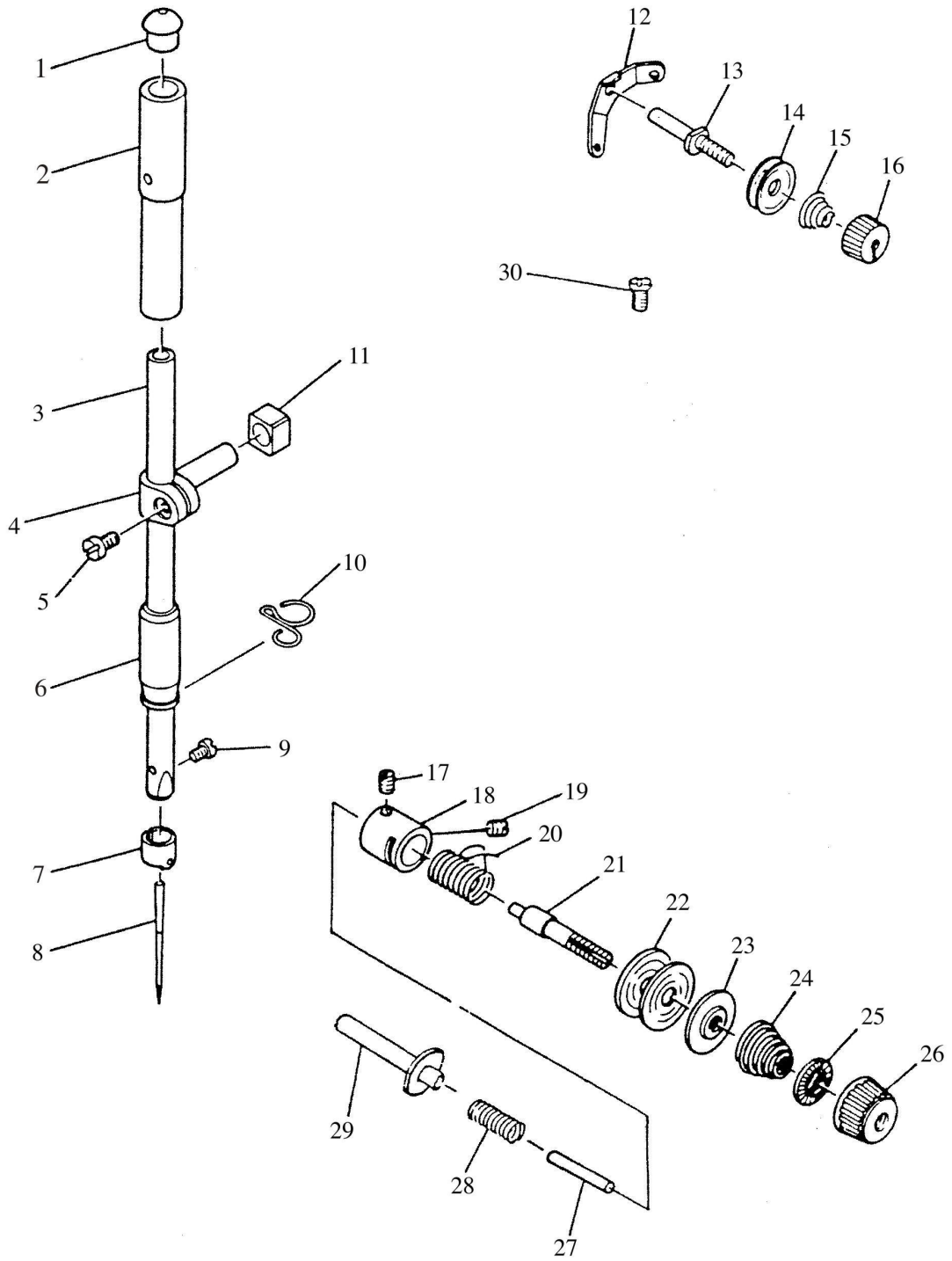
2, Main shaft & thread take-up components



2、 MAIN SHAFT&THREAD TAKE-UP COMPONENTS

Ref.No.	Part No.	Description	QTY
1	Z-91-118037-01	MAIN SHAFT	1
2	Z-91-118036-05	COUNTER WEIGHT	1
3	Z-91-116777-15	SCREW	2
4	Z-91-116054-15	SCREW 9/32-28 L=16	1
5	Z-91-116072-15	SCREW	1
6	Z-91-116071-75-004	RUBBER RING	1
7	Z-91-118293-91	MAIN SHAFT BEARING SUPPORT	1
8	Z-91-116040-05	BUSHING,INTERMEDIATE	1
9	Z-91-116153-15	SCREW 15/64-28 L=9	1
10	Z-91-118018-71-004	OIL SEAL	1
11	Z-91-118299-91	COUPLING ASM.	1
12	Z-91-118016-05	COUPLING	1
13	Z-91-118017-05	WASHER	1
14	Z-91-118016-05	COUPLING	1
15	Z-91-180037-15	SCREW	2
16	Z-91-171127-15	SCREW	3
17	Z-14-002045-05	BEARING	1
18	Z-15-301008-05	FOLDER	1
19	Z-71-41-000004	MOTOR	1
20	Z-91-117380-11	BOLT	4
21	Z-91-118038-75-002	HEAD WHEEL	1
22	Z-91-117486-15	SCREW	2
23	Z-99-050005-91	STOP NEEDLE MAGNETIC TRON MODULE	1
24	Z-99-050002-05	WAVE DORM WASHER	1
25	Z-99-050003-05	WASHER	1
26	Z-99-050004-15	CARD HUANG	1
27	Z-91-119879-91	THREED TAKE-UP ASM.	1
28	Z-91-116065-05	OIL AMOUNT ADJUSTING PINASM.	1
29	Z-91-116067-75-004	RUNNER RING	1
30	Z-91-116066-75-004	RUBBER PUSHING	1
31	Z-91-116064-05	ROLLER FELT	1
32	Z-91-116079-91	THREED TAKE-UP CRANK SHAFT	1
33	Z-91-116068-15	SCREW	1
34	Z-91-116843-05	WHEET	1
35	Z-91-116844-15	SCREW	2
36	Z-91-116042-07	MAIN SHAFT FRONT LINER BUSHING	1
37	Z-91-116061-05	THRUST COLLAH ASM.	1
38	Z-91-116777-15	SCREW 1/4-40 L=6	2

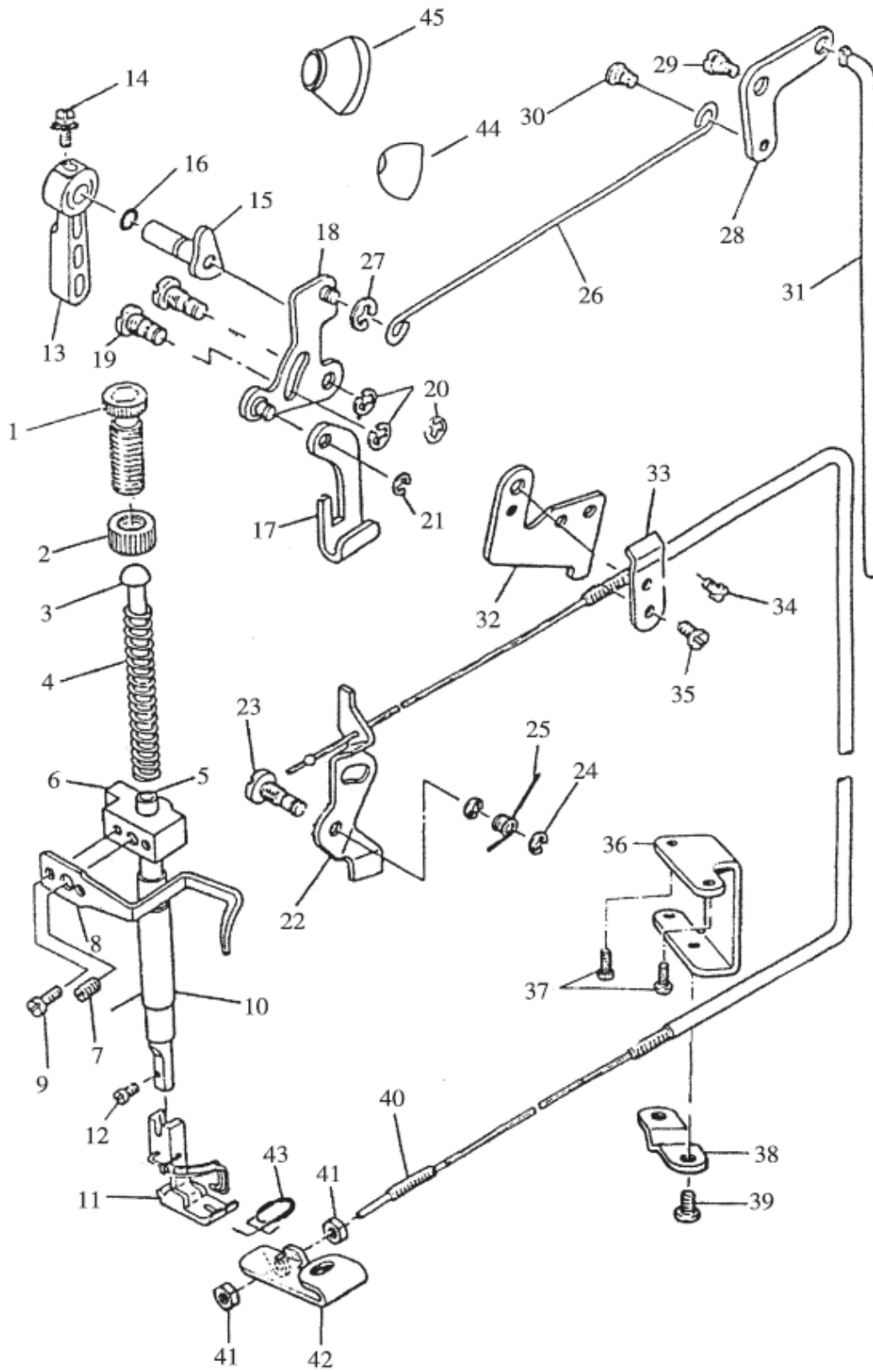
3, Needle bar & thread tension components



3, NEEDLE BAR&THREAD TENSION COMPONETS

Ref.No.	Part No.	Description	QTY
1	Z-91-116089-75-004	CAP	1
2	Z-91-119660-05	NEDDLE BAR BUSHING, UPPER	1
3	Z-91-118042-05	NEDDLE BAR	1
4	Z-91-116091-05	NEDDLE BAR HOLDER	1
5	Z-91-116092-15	SCREW 9/64-40 L=6	1
6	Z-91-118010-05	NEDDLE BAR BUSHING, LOWER	1
	Z-91-116043-05	NEDDLE BAR BUSHING, LOWER	1
7	Z-91-116096-35	NEDDLE BAR THREAD GUIDE	1
8	Z-99-008011-35	NEDDLE (DBx1 #14)	1
9	Z-91-116097-25	SCREW 1/8-44 L=4.5	1
10	Z-91-116094-35	NEDDLE BAR THREAD GUIDE	1
11	Z-91-116093-15	SLIDE BLOCK	1
12	Z-91-119435-35	THREAD TENSION GUIDE	1
13	Z-91-119436-15	FIRST TENSION POST	1
14	Z-91-119437-05	BOBBIN WINDER TENSION DISC	2
15	Z-91-119434-15	THREAD TENSION SPRING	1
16	Z-91-119756-91	THREAD TENSION NUT	1
17	Z-91-119110-15	SET SCREW 9/64-40 L=5.5	1
18	Z-91-116109-15	TENSION POST SOCKET	1
19	Z-91-116102-35	SCREW	1
20	Z-91-116108-15	TAKE-UP SPRING	1
21	Z-91-116102-35	SCREW	1
22	Z-91-116107-05	TENSION DISC	2
23	Z-91-116106-35	TENSION DISC HOLDER	1
24	Z-91-116105-15	TENSION SPRING	1
25	Z-91-116104-35	TENSION DISC STOPPER	1
26	Z-91-119662-91	TENSION NUT	1
27	Z-91-116111-15	THREAD RELEASE PIN	1
28	Z-91-116100-15	TENSION RELEASE PIN SPRING	1
29	Z-91-118041-15	TENSION RELEASE SUPPORTING PIN	1
30	Z-91-116015-15	SCREW 3/16-28 L=6	1

4, Presser bar & tension release components



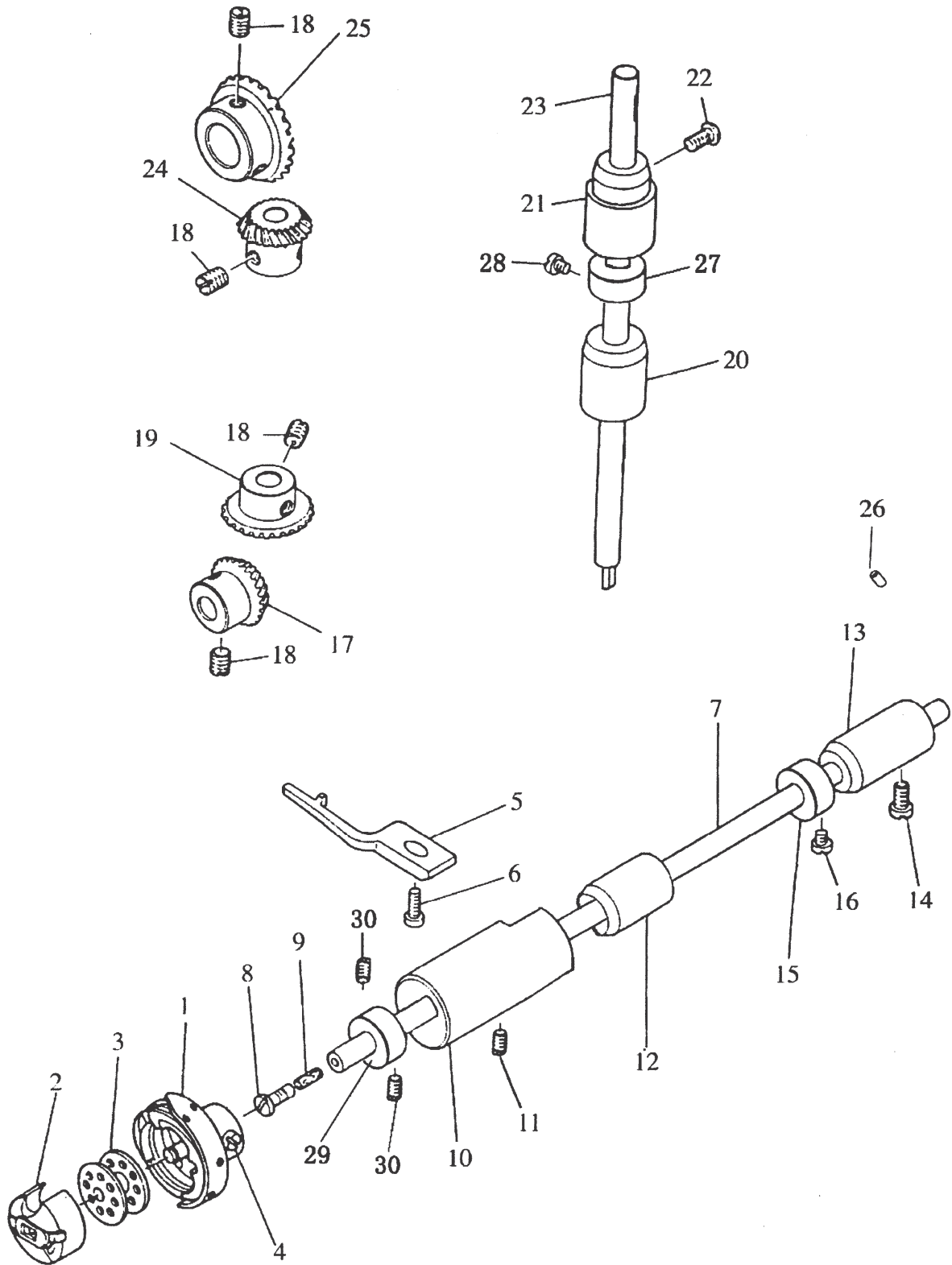
4, PRESSER BAR&TENSION RELEASE COMPONENTS

Ref.No.	Part No.	Description	QTY
1	Z-91-119664-75-002	PRESSER SPRING REGULATOR	1
2	Z-91-119665-75-002	NUT 1/2-28	1
3	Z-91-116512-05	PRESSER GUIDE BAR	1
4	Z-91-119325-15	PRESSER SPRING	1
5	Z-91-116113-05	PRESSER GUIDE BAR	1
6	Z-91-118046-15	NEDDLE BAR GUIDE BRACKET	1
7	Z-91-116127-15	SCREW 1/4-40 L=8	1
8	Z-91-116114-35	PRESSER BAR GUIDE BRACKET	1
9	Z-91-116126-15	SCREW 9/64-40 L=8.5	2
10	Z-91-116047-05	PRESSER BAR BUSHING LOWER	1
11	Z-91-119449-91	PRESSER FOOT ASM	1
12	Z-91-116125-25	SCREW 9/64-40 L=9.5	1
13	Z-91-119666-75-002	HAND LOFTER	1
14	Z-91-116117-15	SCREW 9/64-40 L=8.5	1
15	Z-91-118050-11	HAND LOFTER CAM ASM.	1
16	Z-91-116118-75-004	RUBBER RING	1
17	Z-91-116124-15	LIFTING LEVER	2
18	Z-91-118048-11	HAND LIFTER LINK ASM.	1
19	Z-91-116131-15	LINK SHAFT	2
20	Z-91-116130-15	SNAP RING	4
21	Z-91-116129-15	LIFTING LEVER RING	1
22	Z-91-116123-15	TENSION RELEASE PLATE	1
23	Z-91-116132-15	TENSION RELEASE SHAFT	1
24	Z-91-116130-15	SNAP RING	1
25	Z-91-116133-15	TENSION RELEASE RETURN SPRING	1
26	Z-91-116122-15	LIFTING LEVER CONNECTING ROD	1
27	Z-91-116130-15	SNAP RING	1
28	Z-91-116121-15	LIFTING LEVER LINK	1
29	Z-91-116135-15	HINGE SCREW	1
30	Z-91-116054-15	HINGE SCREW	1
31	Z-91-116120-15	CONNECTING ROD VERRICAL	1
32	Z-91-119439-15	WIRE HOLDER BRACKET (UPPER	1
33	Z-91-119440-15	WIRE HOLDER)	1
34	Z-91-119443-15	SCREW 3/16-28 L=6	1
35	Z-91-116174-15	SCREW 11/64-40 L=7	1
36	Z-91-118045-15	LOOSING LINE PLATE	1
37	Z-91-116003-15	SCREW	1
38	Z-91-145655-15	FIXING SHUTTER	1
39	Z-91-145377-15	SCREW	1
40	Z-91-118052-91	LOOSING LINE ASM.	1
41	Z-91-116486-15	NUT	2
42	Z-91-118044-15	LOOSING PLATE	1
43	Z-91-118047-15	SPRING	1

4, PRESSER BAR&TENSION RELEASE COMPONENTS

Ref.No.	Part No.		Description	QTY
44	Z-91-119445-05		BEFFLE	1
45	Z-91-133403-75-004		PRESSER BAR OIL SEAL	1

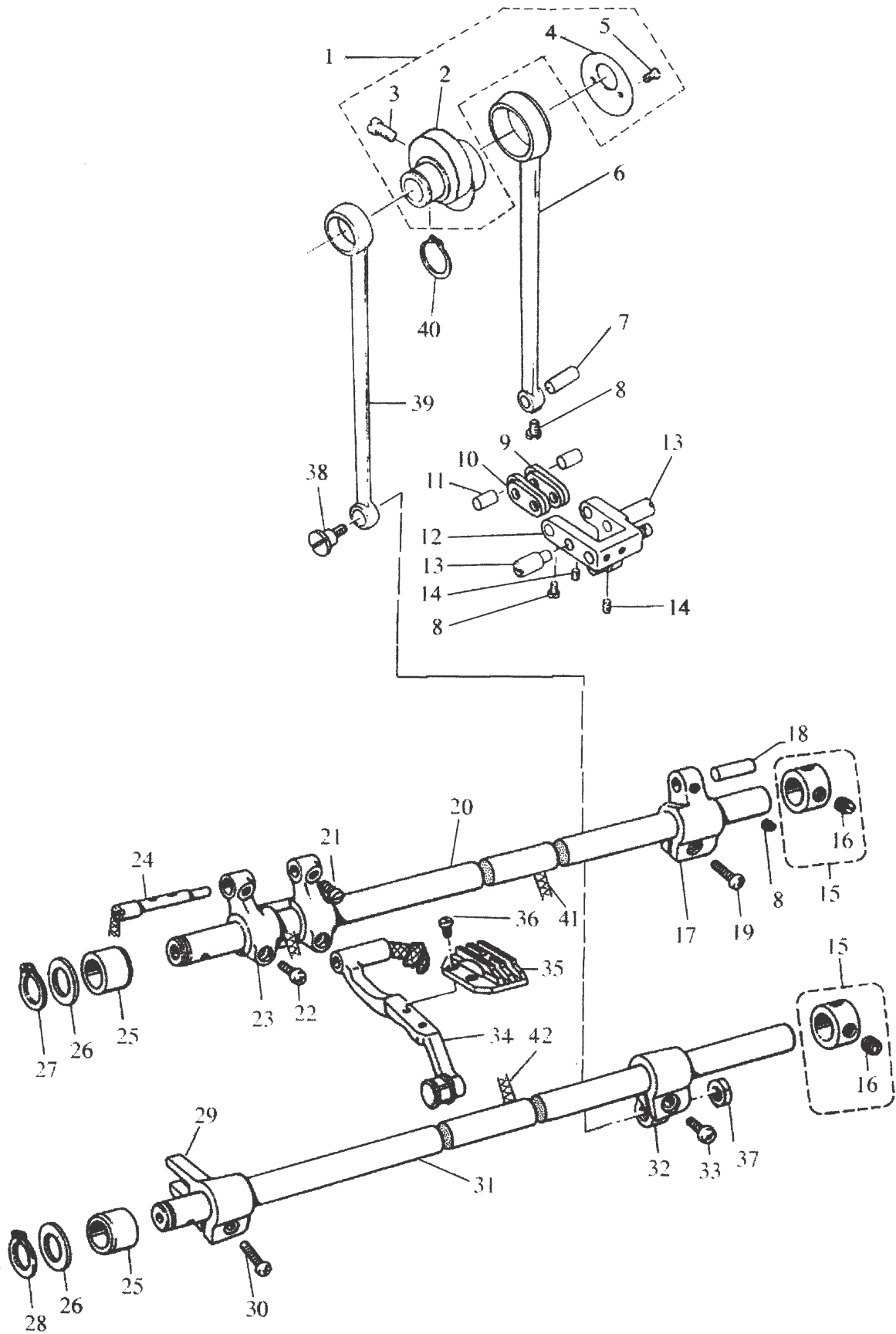
5. Hook of driving shaft components



5. HOOK OF DRIVING SHAFT COMPONENTS

Ref.No.	Part No.	Description	QTY
1	Z-90-001002-91	HOOK ASM.	1
2	Z-99-005002-91	BOBBIN CASE ASM.	1
3	Z-91-116149-25	BOBBIN	1
4		SCREW	2
5	Z-91-119050-05	POSTIONING FINGER	1
6	Z-91-105125-15	SCREW 11/64 -40 L=9.5	1
7	Z-91-118056-05	KOOK DRIVING SHAFT	1
8	Z-91-116166-05	OIL SEAL SCREW ASM.	1
9	Z-91-116167-05	OIL WICK	1
10	Z-91-119030-05	BUSHING ASM . FRONT	1
11	Z-91-116153-15	SCREW 15/64-28 L=7.5	1
12	Z-91-118012-05	BUSHING MIDDLE	1
13	Z-91-116044-05	BUSHING REAR	1
14	Z-91-116158-15	SCREW 3/16-28 L=15	1
15	Z-91-116156-05	THRUST COLLAR ASM.	1
16	Z-91-116157-15	SCREW 1/4-40 L=8	2
17	Z-91-116159-05	PINION ASM.	1
18	Z-91-116164-15	SCREW 1/4-40 L=8	8
19	Z-91-116616-05	GEAR ASM LARGE	1
20	Z-91-116045-05	UPRIGHT SHAFT BUSHING, LOWER	1
21	Z-91-116046-05	BUSHING, UPPER	1
22	Z-91-116003-15	SCREW 11/64-28 L=9	1
23	Z-91-116161-05	UPRINGT SHAFT	1
24	Z-91-116162-05	PINION ASM.	1
25	Z-91-116163-05	GEAR ASM.	1
26	Z-91-119010-75-004	BLOCK	1
27	Z-91-116156-05	THRUST COLLAR ASM.	1
28	Z-91-116157-15	SCREW 1/4 - 40 L=8	2
29	Z-91-119059-15	OIL SEAL RING	1
30	Z-91-119060-15	SCREW	2

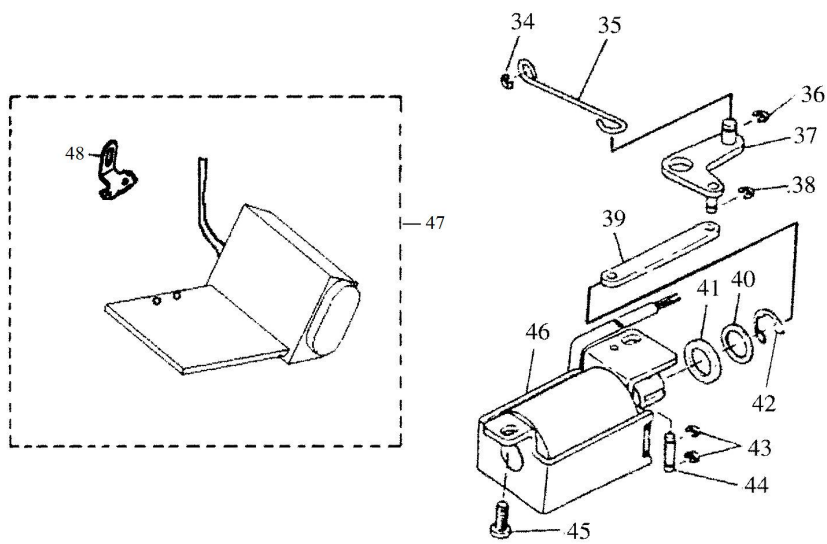
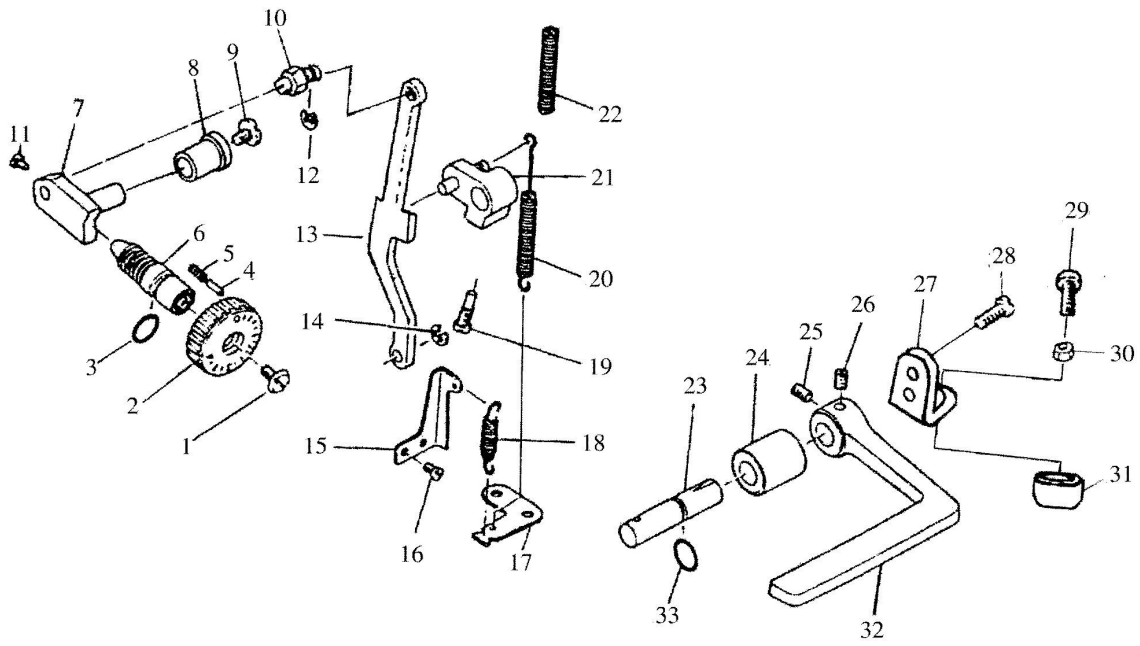
6. Feed components



6, FEED MECHANISM COMPONETS

Ref.No.	Part No.	Description	QTY
1	Z-91-116194-91	FEED DRIVE ECCENTRIC CAM ASM.	1
2	Z-91-116195-05	FEED DRIVE ECCENTRIC CAM	1
3	Z-91-116196-15	SCREW 1/4-40 L=11	2
4	Z-91-116197-15	THRUST COLLAR	1
5	Z-91-116092-15	SCREW 9/64-40 L=5	2
6	Z-91-116170-05	ROCKER SHAFT CONNECTING ROD	1
7	Z-91-116189-15	WALKING FOOT PIN	1
8	Z-91-116186-15	SVREW 9/64-40 L=6	4
9	Z-91-116184-05	WALKING FOOT LINK	2
10	Z-91-116188-05	CONNECTING LINK	2
11	Z-91-116185-15	WALKING FOOT PIN	2
12	Z-91-119456-91	WALKING FOOT ADJUST LINK	1
13	Z-91-116181-05	ADJUSTING LINK FULCRUM SHAFT	2
14	Z-91-116063-15	SCREW 15/64-28 L=7	2
15	Z-91-118066-91	RETAINING RING ASM.	2
16	Z-91-116015-15	SCREW	2
17	Z-91-116190-05	FEED ROCKER SHAFT CRANK ASM.	1
18	Z-91-116187-15	WALKING FOOD PIN	1
19	Z-91-116179-15	SCREW 9/64-28 L=14	1
20	Z-91-118061-05	FEED ROCKER SHAFT	1
21	Z-91-119133-15	SCREW	2
22	Z-91-119132-15	SCREW	2
23	Z-91-118058-05	FEED CRACKET	1
24	Z-91-118059-05	FEED BAR SHAFT	1
25	Z-91-118011-05	FEED ROCKER SHAFT BUSHING	2
26	Z-91-119168-05	WASHER	2
27	Z-91-116193-15	RETAINING RING	1
28	Z-91-116193-15	RETAINING RING	1
29	Z-91-116182-05	DRIVING SHAFT CRANK ASM. FRONT	1
30	Z-91-116183-15	SCREW 11/64-40 L=10.5	1
31	Z-91-118060-05	FEED DRIVING SHAFT	1
32	Z-91-116178-05	REAR CRACK ASM.	1
33	Z-91-116180-15	SCREW 3/16-28 L=12	1
34	Z-91-118305-91	FEED ROCKET BASE ASM.	1
35	Z-91-118062-05	FEED DOG	1
36	Z-91-116173-15	SCREW 1/8-44 L=6	2
37	Z-91-116540-15	NUT	1
38	Z-91-116180-15	SCREW	1
39	Z-91-116171-05	CONNECTING ROD	1
40	Z-91-116169-15	RETAINING RING	1
41	Z-91-201008-05	OIL WICK	1
42	Z-91-201008-05	OIL WICK	1

7, Feed regulating components



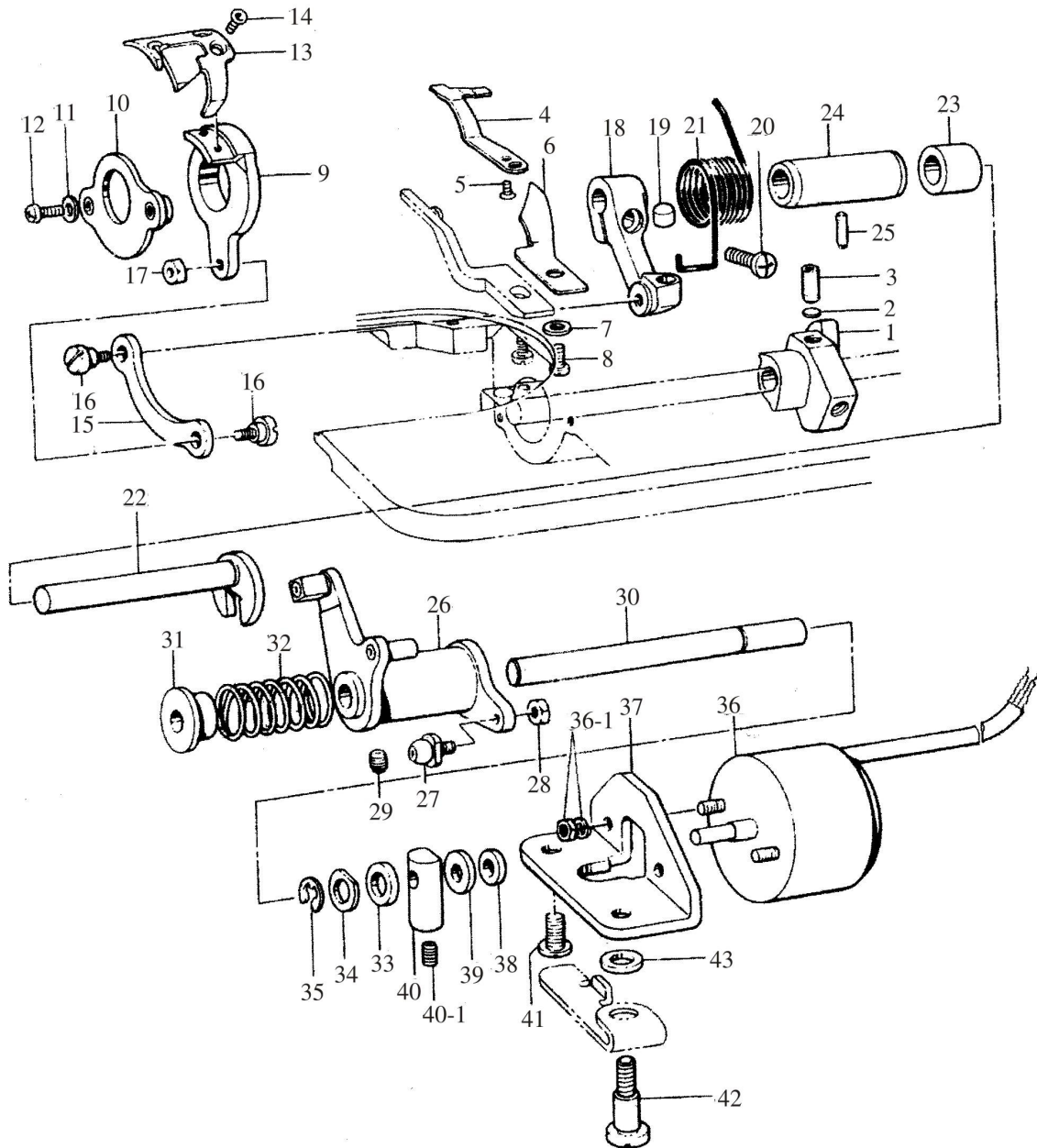
7, FEED REGULATING COMPONENTS

Ref.No.	Part No.	Description	QTY
1	Z-91-116211-25	SCREW 3/16-28 L=9	1
2	Z-91-119670-75-022	FEED DIAL	1
3	Z-91-116213-75-004	RUBBER RING	1
4	Z-91-116225-25	PIN	1
5	Z-91-116224-15	SPRING	1
6	Z-91-118070-15	FEED REGULATOR SCREW	1
7	Z-91-118071-05	FEED REGULATOR	1
8	Z-91-118013-05	FEED REGULATOR BHSRING	1
9	Z-91-116216-15	SCREW	1
10	Z-91-118072-15	FEED REGULATOR PIN	1
11	Z-91-116092-15	SCREW	2
12	Z-91-116130-15	SNAP RING	1
13	Z-91-118069-05	FEED REGULATOR CONNECTING ROD	1
14	Z-91-116130-15	SNAP RING	1
15	Z-91-116221-15	ADJUSTING LINK SPRING GUIDE	1
16	Z-91-116222-15	SCREW 11/64-40 L=5	2
17	Z-91-116220-15	FEED REVERSE HOOK	1
18	Z-91-116464-15	ADJUSTING LINK SPRING	1
19	Z-91-116208-15	FEED REVERSE ARM SCREW	1
20	Z-91-119371-15	FEED REVERSE SPRING	1
21	Z-91-118077-91	FEED REVERSE ARM ASM.	1
22	Z-91-119474-05	SPRING	1
23	Z-91-118075-15	FEED REVERSE SHAFT	1
24	Z-91-116050-05	FEED LEVER METAL	1
25	Z-91-116127-15	SCREW 1/4-40 L=8	1
26	Z-91-116127-15	SCREW 1/4-40 L=8	1
27	Z-91-118073-15	RULER RETAINING PLATE	1
28	Z-91-133199-15	SCREW	2
29	Z-91-101012-15	SCREW	1
30	Z-91-101595-15	NUT	1
31	Z-91-118074-75-001	WASHER	1
32	Z-91-118076-75-002	REVERSE FEED CONTROL LEVER	1
33	Z-91-116218-75-004	RUBBER RING	1
34	Z-91-116130-15	SNAP RING	1
35	Z-91-119475-05	REVERSE FEED CONNECTING SHAFT	1
36	Z-91-116130-15	SNAP RING	1
37	Z-91-119477-91	CONNECTING ARM ASM.	1
38	Z-91-119472-15	SNAP RING	1
39	Z-91-119471-05	REVERSE FEED CONNECTING SHAFT	1
40	Z-91-119469-45	WASHER	1
41	Z-91-119468-75	RUBBER PLUNGER	1
42	Z-91-119470-15	SNAP RING	1
43	Z-91-119472-15	SNAP RING	2

7. FEED REGULATING COMPONENTS

Ref.No.	Part No.		Description	QTY
44	Z-91-119473-05		PLUNGER ARM PIN	1
45	Z-91-119463-15		SCREW	2
46	Z-71-25-000003		REVERSE FEED MAGNET ASM.	1
47	Z-91-118240-91		OPTION SWITCH ASM	1
48	Z-91-118405-15		REVERSE FEED SWITCH BASE	1

8. Thread trimmer components ROUND KNIFE COMPONENTS



8. THREAD TRIMMER COMPONENTS

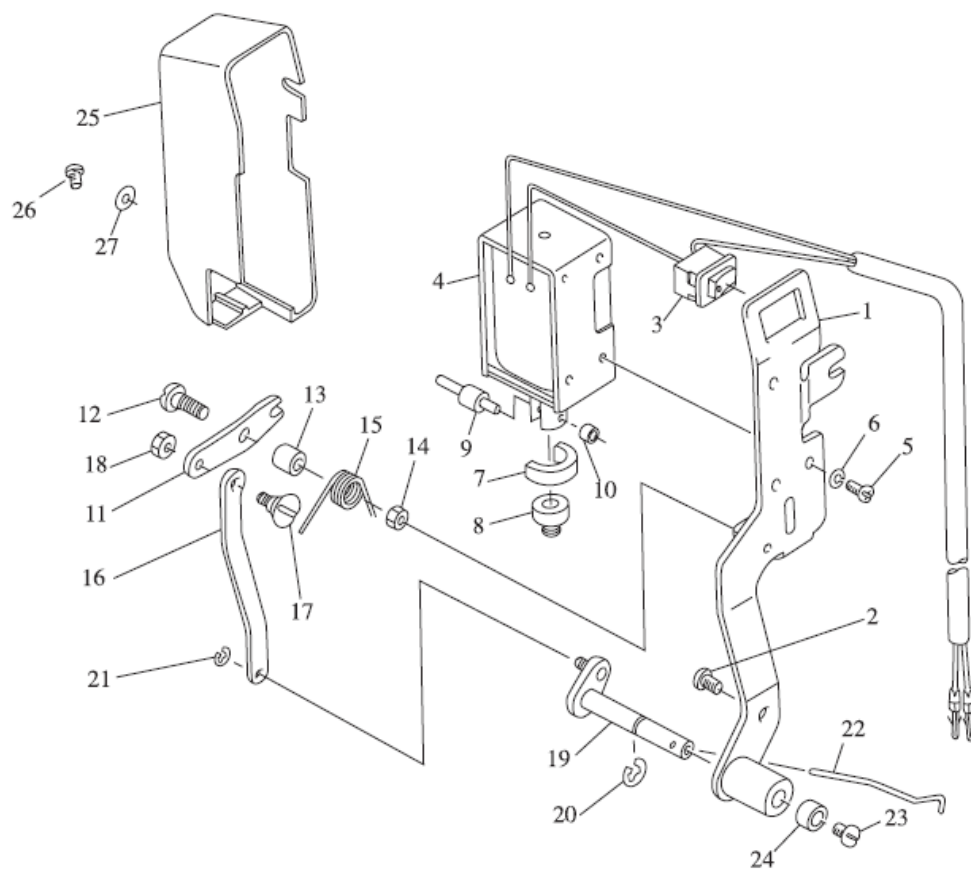
ROUND KNIFE COMPONENTS

Ref.No.	Part No.	Description	QTY
1	Z-91-116892-05	THREAD TRIMMER CAM	1
2		CAM COLLAR	2
3	Z-91-145162-15	SCREW	2
4	Z-91-116894-05	CONNTER KNIFE	1
5	Z-91-116895-15	SCREW	1
6	Z-91-116896-15	DISPART THREAD SHUTTLE	1
7	Z-91-116917-25	WASHER	1
8	Z-91-119051-15	SCREW	1
9	Z-91-116897-05	ROUND KNIFE BRACKET	1
10	Z-91-116935-91	KNIFE HOLDER ASM.	1
11	Z-91-116917-25	WASHER	2
12	Z-91-145282-15	SCREW	2
13	Z-91-116898-05	ROUND KNIFE	1
14	Z-91-116899-05	SCREW	2
15	Z-91-116900-15	KNIFE SHAFT CRACK ROD	1
16	Z-91-116901-15	SCREW	2
17	Z-91-116942-15	NUT	1
18	Z-91-116902-15	TRIMMING CRANK	1
19	Z-91-116903-05	BLOCK	1
20	Z-91-118084-15	SCREW	1
21	Z-91-116904-15	REPLACE SPRING	1
22	Z-91-116905-05	TRIMMING CRANK SHAFT	1
23	Z-91-116906-15	SHORT BUSHING	1
24	Z-91-116907-15	BUSHING	1
25	Z-91-116919-15	SCREW	1
26	Z-91-116938-91	TRIMMING CAM CRANK ASM.	1
27	Z-91-116947-91	ROLLER BEARING SHAFT ASM.	1
28	Z-91-116942-15	NUT	1
29	Z-91-116908-15	SCREW	1
30	Z-91-116905-05	TRIMMING SHAFT	1
31	Z-91-116910-05	SPRING CVER	1
32	Z-91-116911-15	SPRING	1
33	Z-91-116912-05	WASHER	1
34	Z-12-305003-15	CLIP	1
35	Z-12-606005-15	WASHER	1
36	Z-91-118085-91	THREAD TRIMMER SOLENOID ASM.	1
36-1	Z-12-003001-15	NUT	2
37	Z-91-118086-15	SOLENOID BASE	1
38	Z-91-116952-75-004	WASHER	1
39	Z-91-116953-15	WASHER	1

8. THREAD TRIMMER COMPONENTS
ROUND KNIFE COMPONENTS

Ref.No.	Part No.		Description	QTY
40	Z-91-116951-15		SOLENOID CONNECTING SHAFT	1
40-1	Z-91-145366-15		SCREW	1
41	Z-91-116913-15		SCREW	1
42	Z-91-116914-15		SCREW	1
43	Z-91-118087-15		WASHER	1

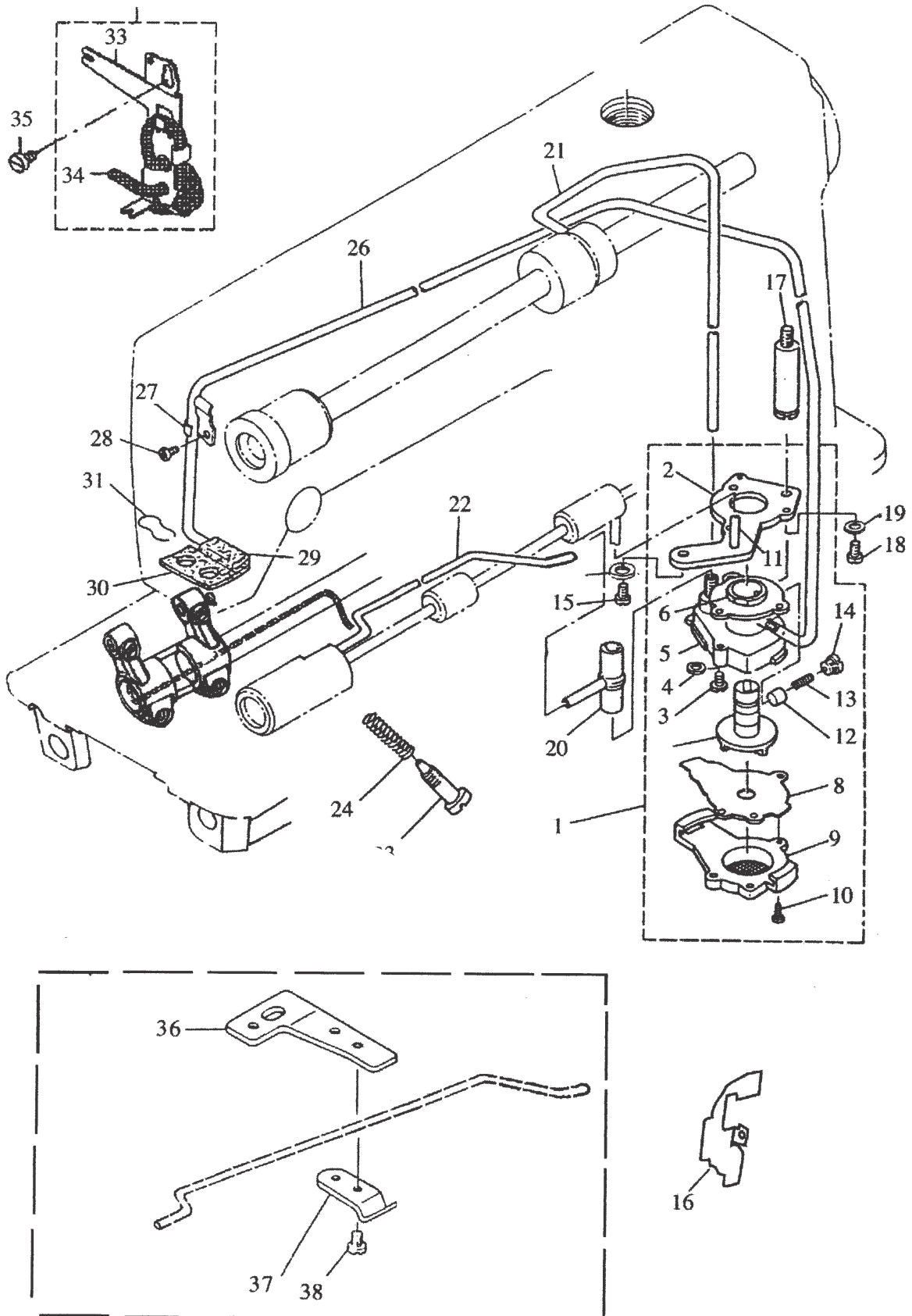
9. Wiper components



9, WIPER COMPONENTS

Ref.No.	Part No.	Description	QTY
1	Z-91-119580-11	WIPER BASE ASM.	1
2	Z-91-116003-15	SCREW 3/16-28 L=9	1
3	Z-71-15-000002	POWER SOURCE SWITHCH ASM.	1
4	Z-71-20-000009	WIPER SOLENOID	1
5	Z-11-104001-15	SCREW 3/16-28 L=9	3
6	Z-12-301005-15	WASHER	3
7	Z-91-119576-75	WIPER RUBBER	1
8	Z-91-119575-75-004	WIPER RUBBER	1
9	Z-91-119573-05	WIPER SOLENOID PIN	1
10	Z-91-119574-05	WIPER LINK COLLAR	1
11	Z-91-119564-15	WIPER LINK	1
12	Z-91-119572-15	HINGE SCREW	1
13	Z-91-119571-15	WIPER HINGE SCREW COLLAR	1
14	Z-91-119563-15	NUT	1
15	Z-91-119570-15	SPRING	1
16	Z-91-119565-35	CONNECTING LINK	1
17	Z-91-119569-15	SCREW	1
18	Z-91-119578-15	NUT	1
19	Z-91-119583-11	WIPER DRIVING SHAFT ASM.	1
20	Z-91-116130-15	SNAP RING	1
21	Z-91-119568-15	SNAP RING	1
22	Z-91-119565-35	WIPER	1
23	Z-91-119566-15	SCREW 9/64-40 L=5	1
24	Z-91-119567-15	BRACKET INSTALLING COLLAR	1
25	Z-91-119562-75-001	WIPER BASE ASM.	1
26	Z-11-104001-15	SCREW M3x0.5 L=6	1
27	Z-12-306002-45	WIPER COVER SPRING WASHER	1

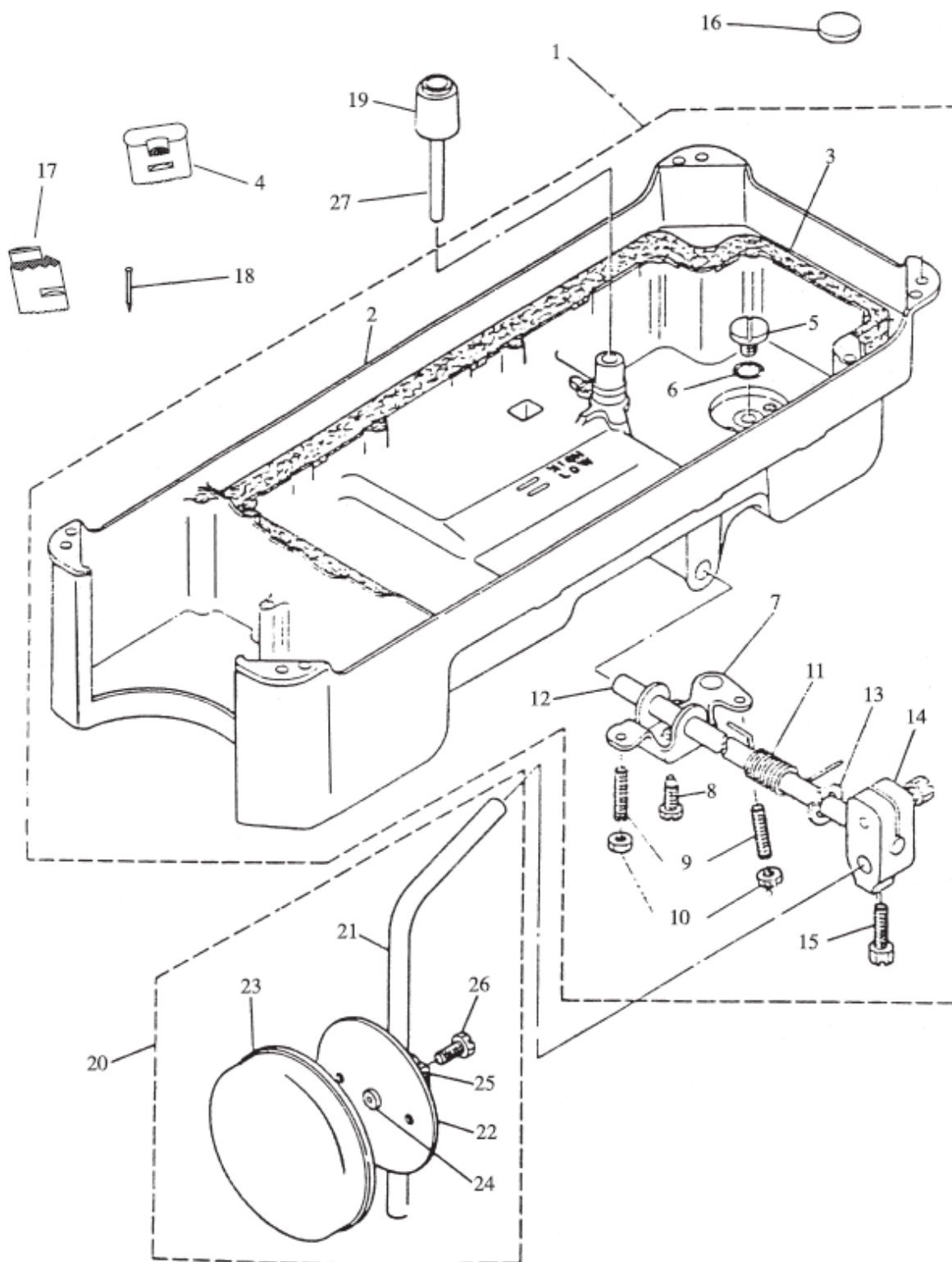
10. Lubrication components



10, LUBRICATION COMPONETS

Ref.No.	Part No.	Description	QTY
1	Z-91-116241-91	LUBRICATING OIL PUMPASM.	1
2	Z-91-116242-15	OIL PUMP INSTALLING BASE	1
3	Z-91-116252-45	SCREW 15/64-28 L=9	3
4	Z-91-116251-25	WASHER	3
5	Z-91-116243-91	OIL PUMP	1
6	Z-91-116244-05	OIL PUMP BUSHING	1
7	Z-91-116246-05	OIL PUMP IMPELLER	1
8	Z-91-116245-15	OIL PUMP IMPELLER COVER	1
9	Z-91-116225-91	LUBRICATING OIL PUMP COVER	1
10	Z-91-116247-25	SCREW	3
11	Z-91-116253-75-004	HOOK DRIVING SHAFT OIL TUBE	1
12	Z-91-116248-05	PLUNGER	1
13	Z-91-116250-15	PLUNGER SPRING	1
14	Z-91-116249-15	SCREW	1
15	Z-91-116233-15	SCREW	1
16	Z-91-116853-15	OIL STOPPER ASM.	1
17	Z-91-119588-05	OIL PUMP SUPPORT	1
18	Z-91-116151-15	SCREW 11/64-40 L=9.5	1
19	Z-12-606008-15	WASHER	1
20	Z-91-116231-75-004	RUBBER JOINT	1
21	Z-91-116232-05	MAIN SHAFT OIL TUBE	1
22	Z-91-118094-05	OIL TUBE	1
	Z-91-116235-05	OIL TUBE	1
23	Z-91-119071-15	OIL ADJUSTING SCREW	1
24	Z-91-119072-25	SPRING	1
25	Z-91-101002-05	OIL TETURN GUARD	1
26	Z-91-116619-15	OIL REURN TUBE HOLDER	1
27	Z-91-116015-15	SCREW 2/16-28 L=6	1
28	Z-91-116239-05	ANTI-DUST OIL FELT	1
29	Z-91-116239-05	OIL FELT	1
30	Z-91-116240-15	OIL FELT PRESSER	1
31	Z-91-118414-91	OIL WICK SUPPORT ASM.	
32	Z-91-117277-15	OIL WICK SUPPORT	1
33	Z-91-202008-05	OIL WICK	1
34	Z-91-117262-15	SCREW	1
35	Z-91-119441-15	WIRE HOLDER BARCKET (LOWER)	1
36	Z-91-119440-15	WIRE HOLDER	1
37	Z-91-116174-15	SCREW 11/64-40 L=5	1

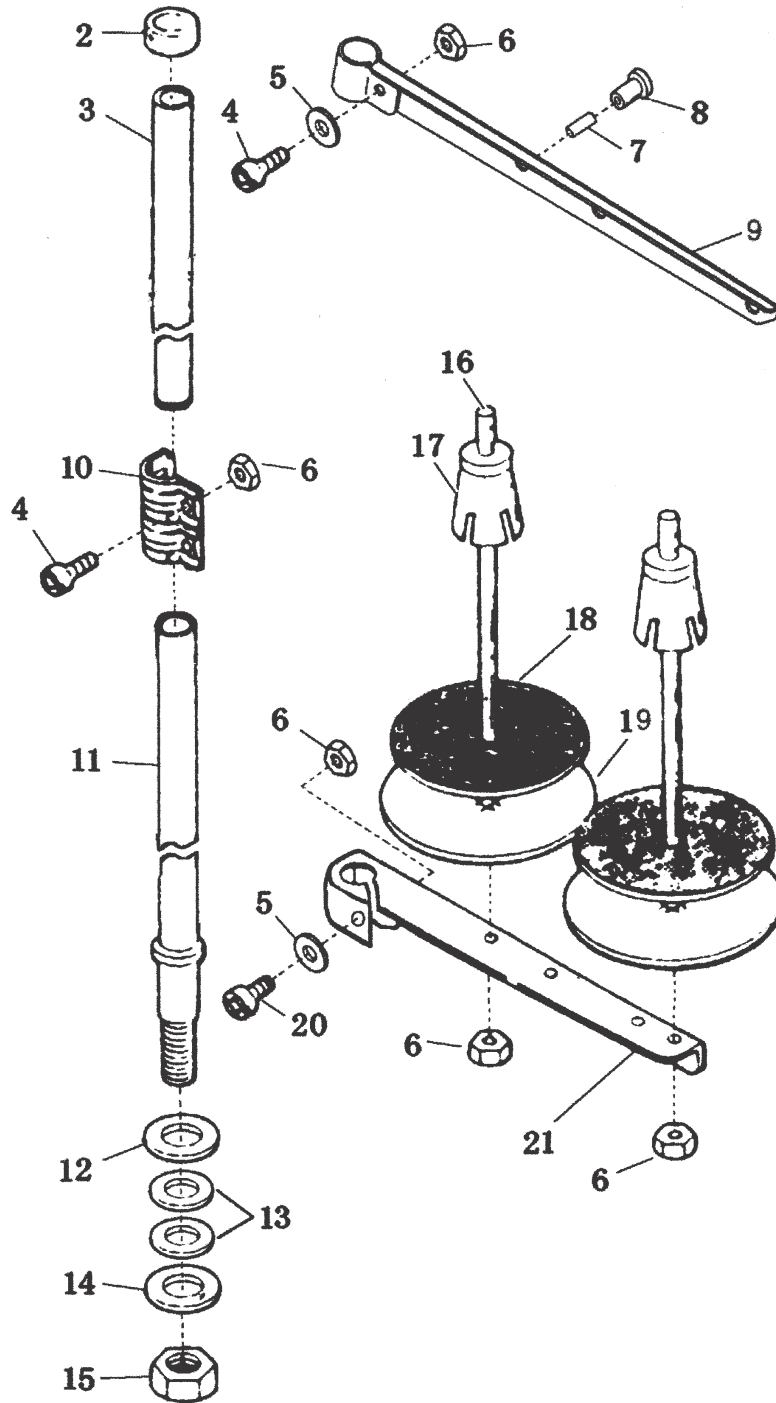
11, Presser foot components of oil plate knee lift



11, PRESSER FOOT COMPONENTS OF OIL PLATE KNEE LIFT

Ref.No.	Part No.	Description	QTY
1	Z-91-119954-91	OIL PLATE COMPONENTS	1
2	Z-91-116269-05	OIL PLATE	(1)
3	Z-91-119592-05	OIL PLATE BED	1
4	Z-91-116271-75-005	MACHINE HEAD BED	(4)
5	Z-91-116264-15	OIL EXRRACTION HOLE SCREW	1
6	Z-91-116263-45	"O"RING OF OIL EXTRACTING HOLE SCREW	1
7	Z-91-116273-45	TWO-WAY CRANK OF LIFTING PRESSOR FOOT	(1)
8	Z-91-116274-45	SCREW	(1)
9	Z-91-116267-45	BANKING SCREW OF TWO-WAY CRANK	(2)
10	Z-91-116268-45	BANKING NUT OF TWO-WAY CRANK	3
11	Z-91-116275-15	TWISTING SPRING	(1)
12	Z-91-116276-45	LIFTING PRESSOR FOOT SHAFT	(1)
13	Z-91-116277-15	OPEN SHIELD RING	(1)
14	Z-91-116266-45	OPERATING BAR HEAD OF LIFTING PRESSOR FOOT	(1)
15	Z-11-001009-45	OPERATING BAR HEAD SCREW	(2)
16	Z-91-116262-05	OIL PLATE MAGNET	1
17	Z-91-116270-75-005	OIL PLATE SEAT	2
18	Z-91-116272-15	OIL PLATE NAIL	4
19	Z-91-116265-91	TOP PIN OF LIFTING PRESSOR FOOT	1
20	Z-91-116278-91	OPERATING BAR COMPONENTS	1
21	Z-91-116282-45	OPERATING BAR	1
22	Z-91-116280-45	OPERATING PLATE	1
23	Z-91-116279-75-004	SOFT CUSHION OF OPERATING BAR	1
24	Z-91-116281-75-004	OPERATING BAR BED	1
25	Z-91-116283-45	OPERATING BAR TIP	1
26	Z-91-116284-45	TI[P SCREW	1
27	Z-91-116955-15	PIN OF LIFTING PRESSOR FOOT ASM.	1

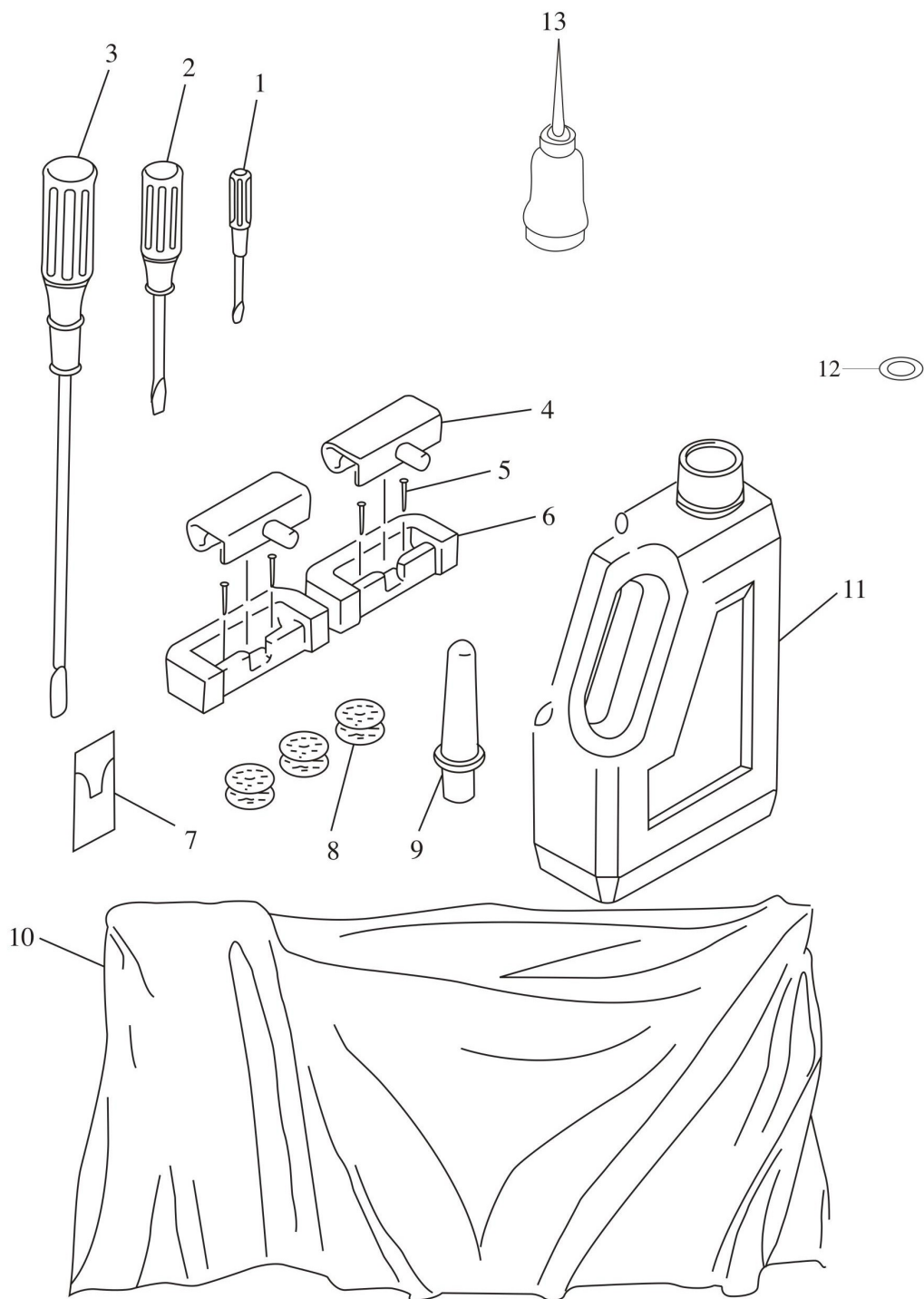
12. Components of thread-running stand



12, COMPONENTS OF THREAD-RUNNING STAND

Ref.No.	Part No.	Description	QTY
1	Z-91-116311-91	THREAD STAND ASM.	
2	Z-91-116318-75-004	COLUMN CAP	1
3	Z-91-116317-75-001	COLUMN PIPE(UPPER)	1
4	Z-11-106001-25	SCREW	2
5	Z-12-305002-25	WASHER	2
6	Z-12-003002-25	NUT	5
7	Z-91-116314-75-001	THREAD GUIDE PIPE	1
8	Z-91-116315-75-004	THREAD GUIDE BUSHING	1
9	Z-91-116313-75-001	THREAD HANGER (2 SPOOLS TUPE)	1
10	Z-91-116320-75-001	COLUMN PIPE CONNECTOR	1
11	Z-91-116325-75-001	COLUMN PIPE (LOWER)	1
12	Z-91-116326-75-004	WASHER	1
13	Z-91-116324-25	WASHER	1
14	Z-91-116326-75-004	WASHER	2
15	Z-12-003002-25	NUT	1
16	Z-91-116331-35	SPOOL PIN	2
17	Z-91-116330-75-001	SPOOL CUSHION	2
18	Z-91-116329-75-004	SOFT CUSHION OF THREAD PLARE	2
19	Z-91-116328-75-001	THREAD PLATE	2
20	Z-11-106002-25	SCREW	1
21	Z-91-116322-75-001	THREAD HANGER (LOWER)	1

13, Auxiliaries



13, AUXILIARIES

Ref.No.	Part No.	Description	QTY
1	Z-91-116352-91	ACCESSORIE BAG ASM	1
2	Z-91-116351-91	SCREW DRIVER ,SMALE	1
3	Z-91-119396-91	SCREW DRIVER ,MIDDLE	1
4	Z-91-116333-21	SCREW DRIVER,LARGE	1
5	Z-91-116272-15	HINGE COMPL	2
6	Z-91-116334-75-005	NAIL	6
7	Z-91-116334-75-005	RUBBER CUSHION	2
8	Z-99-008011-35	NEEDLE	1
9	Z-91-116149-25	BOBBIN	3
10	Z-91-116650-75-005	FRAME SUPPORT BAR	1
11	Z-91-118098-05	FRAMEVINYL COVER	1
12	Z-91-116349-91	OIL BOTTLE WITH OIL	1
13	Z-94-159091-75-004	RUBBER RING	1
		OILER ASM.	1

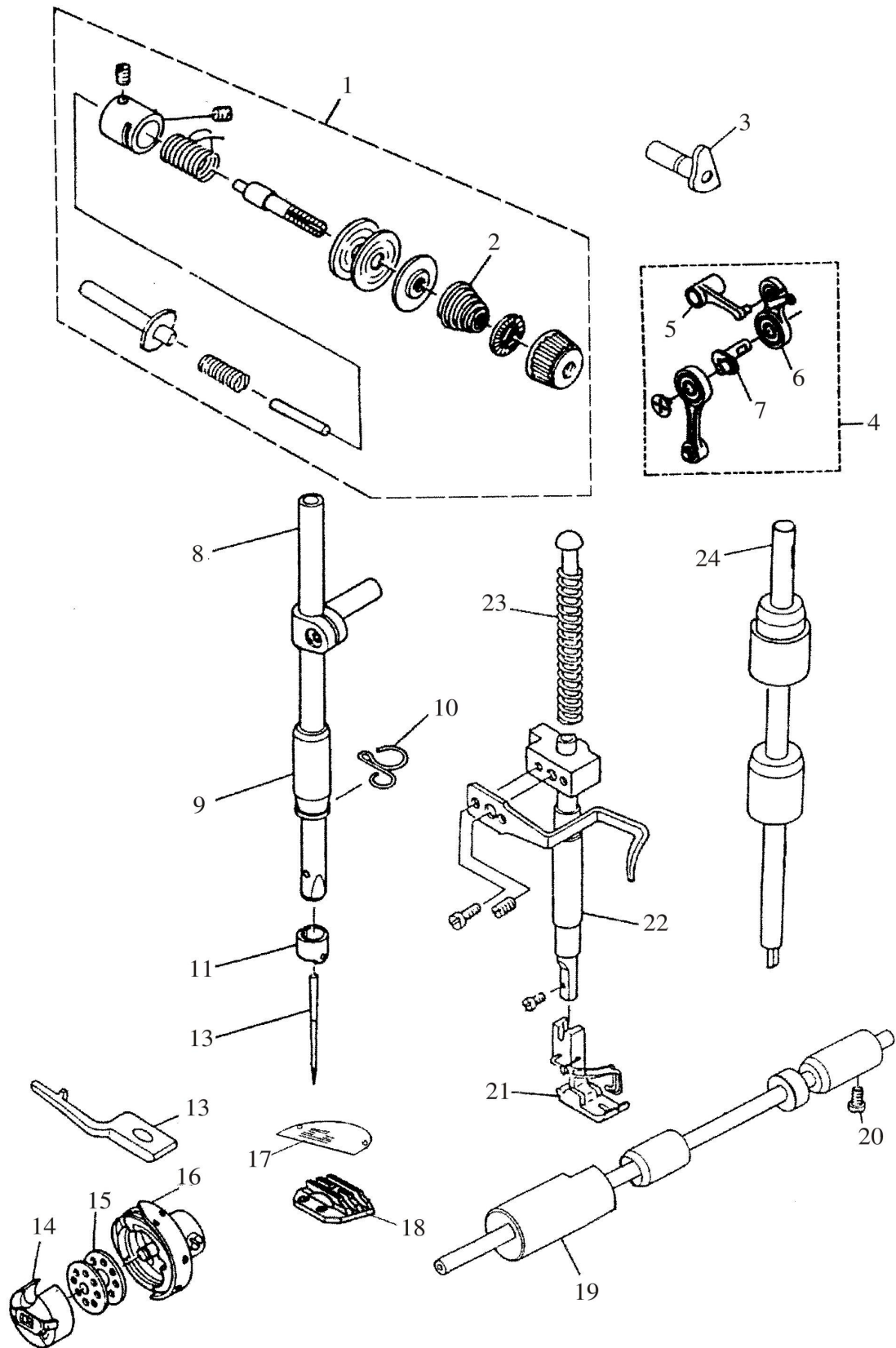
SPECIAL PARTS OF THREE ROWS' FEED DOGS AND MIDDLE & THICK MATERIALS



SPECIAL PARTS OF THREE ROWS' FEED DOGS FOR MIDDLE & THICK MATERIALS

Ref.No.	Part No.		Description	QTY
1	GM173-8		NEEDLE PLATE	1
2	GM174-8		FEED DOG	1

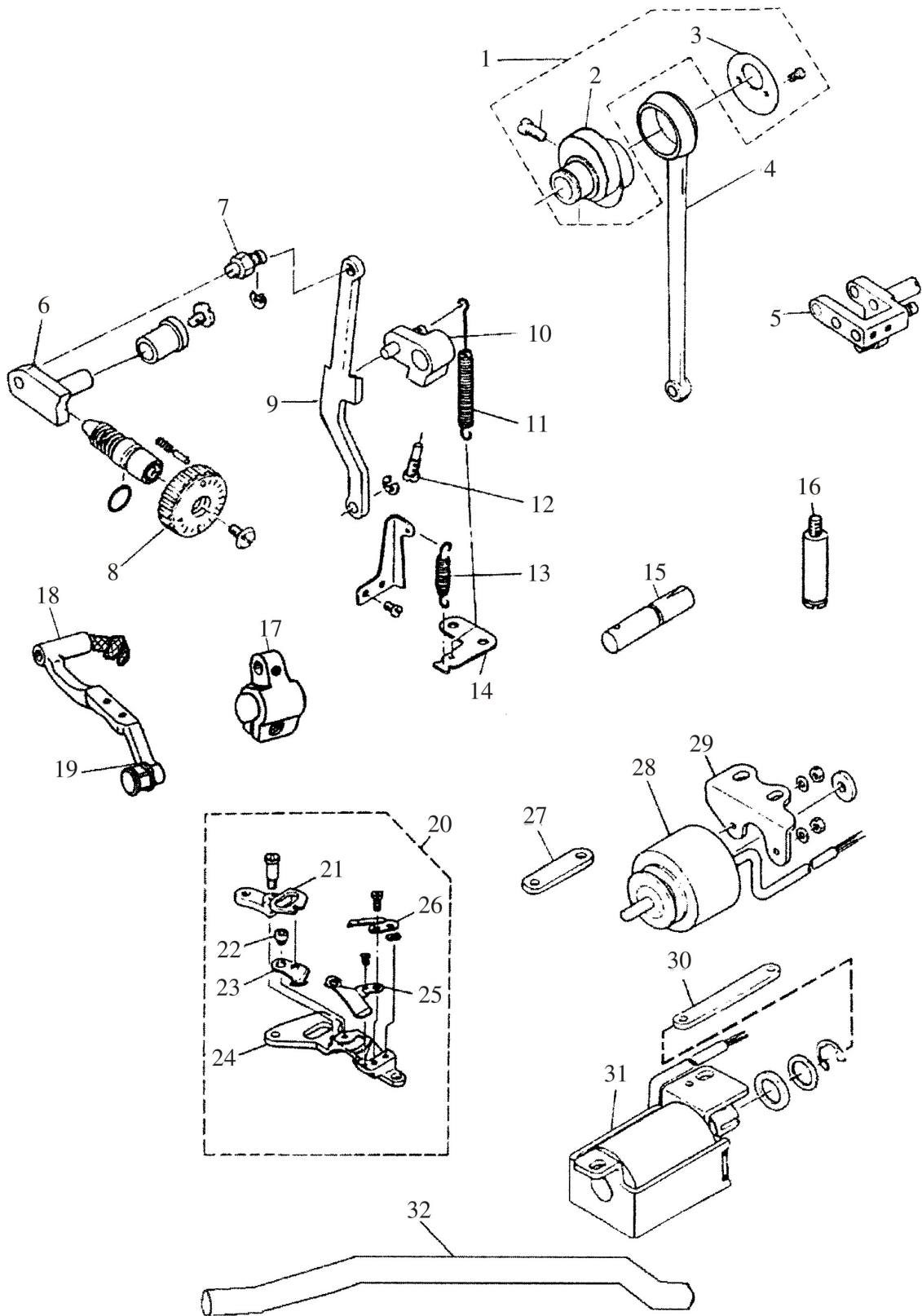
SPECIAL PARTS OF THICK MATERIALS (1)



SPECIAL PARTS OF THICK MATERIALS (1)

Ref.No.	Part No.	Description	QTY
1	Z-91-119738-91	TENSION ASM.	1
2	Z-91-119323-15	TENSION SPRING	1
3	Z-91-118161-11	HAND LOFTER CAM ASM.	1
4	Z-91-118144-91	THREED TAKE-UP ASM.	1
5	Z-91-117044-25	THREAD STITCH CONNECTING BAR	1
6	Z-91-117045-05	THREAD STITCH BAR	1
7	Z-91-117370-05	THREAD STITCH CRANK	1
8	Z-91-119793-05	NEEDLE BAR	1
9	Z-91-118148-05	NEDDLE BAR BUSHING, LOWER	1
	Z-91-119299-05	NEEDLE BAR BUSHING, LOWER	1
10	Z-91-119319-25	NEEDLE BAR THREAD GUIDE	1
11	Z-91-119321-35	NEEDLE BAR THREAD GUIDE	1
12	Z-99-008004-35	NEEDLE (DPx5 #18)	1
13	Z-91-119050-05	POSTIONING FINGER	1
14	Z-99-005002-91	BOBBIN CASE ASM.	1
15	Z-91-116149-25	BOBBIN	1
16	Z-99-001004-91	HOOK ASM.	1
17	Z-91-119685-35	NEEDLE PLATE	1
18	Z-91-119796-05	FEED DOG	1
19	Z-91-119030-05	BUSHING ASM. FRONT	1
20	Z-91-116158-15	SCREW	1
21	Z-91-119326-91	PRESSER FOOT ASM.	1
22	Z-91-119300-05	PRESSER BAR BUSHING LOWER	1
23	Z-91-119325-15	PRESSER SPRING	1
24	Z-91-116161-05	UPRINGT SHAFT	1

SPECIAL PARTS OF THICK MATERIALS (2)



SPECIAL PARTS OF THICK MATERIALS(2)

Ref.No.	Part No.	Description	QTY
1	Z-91-116194-91	FEED DRIVE ECCENTRIC CAM ASM.	1
2	Z-91-116195-05	FEED DRIVE ECCENTRIC CAM	1
3	Z-91-116197-15	THRUST COLLAR	1
4	Z-91-116170-05	ROCKER SHAFT CONNECTING ROD	1
5	Z-91-119456-91	WALKING FOOT ASJUST LINK	1
6	Z-91-118071-05	FEED REGULATOR	1
7	Z-91-118072-15	FEED REGULATOR PIN	1
8	Z-91-119670-75-002	FEED DIAL	1
9	Z-91-118069-05	FEED REGULATOR CONNECTING ROD	1
10	Z-91-118077-91	FEED REVERSE ARM ASM	1
11	Z-91-119692-15	FEED REVERSE SPRING	1
12	Z-91-116208-15	FEED REVERSE ARM SCREW	1
13	Z-91-119696-15	ADJUSTING LINK SPRING	1
14	Z-91-119693-15	FEED REVERSE HOOK	1
15	Z-91-118075-15	FEED REVERSE SHAFT	1
16	Z-91-119713-15	OIL PUMP SUPPORT	1
17	Z-91-116190-05	FEED ROCKER SHAFT CRANK ASM.	1
18	Z-91-118065-15	FEED ROCKET BASE	1
19	Z-91-118064-91	FEED ROCKET BASE ASM.	1
20	Z-91-119702-91	KNIFE UNIT	1
21	Z-91-119704-05	FORKED BASE FOR KNIFE	1
22	Z-91-119707-15	MOVING KNIFE HIGE SCREW	1
23	Z-91-119708-91	MOVING KNIFE ASM.	1
24	Z-91-119703-05	KNIFE MOUNTING BASE	1
25	Z-91-119706-05	THREAD GUIDE FOR KNIFE	1
26	Z-91-119705-05	COUNTER KNIFE	1
27	Z-91-119701-15	THREAD TRIMMER SOLENOID BAR	1
28	Z-91-119711-91	THREAD TRIMMER SOLENOID ASM.	1
29	Z-91-119712-15	SOLENOID BASE	1
30	Z-91-119698-15	REVERSE FEED CONNECTING SHAFT	1
31	Z-71-25-000004	REVERSE FEED MAGNET ASM.	1
32	Z-91-119700-05	OIL TUBE	1



Dealer:

--